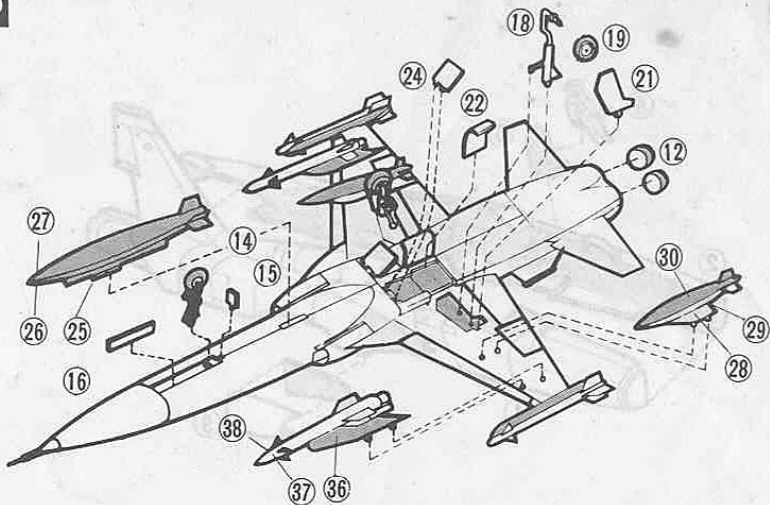


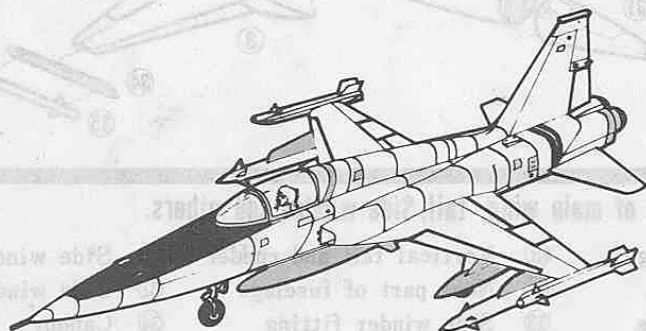
3



**3 Fixing of main wheels, nose wheel and other parts.**

- |                          |                                |                    |    |
|--------------------------|--------------------------------|--------------------|----|
| Jet exhaust nozzle       | 12 Main wheel cover (left)     | 21 Bomb (lower)    | 30 |
| Nose wheel               | 14 Main wheel cover (left)     | 22 Missile shackle | 36 |
| Nose wheel cover (small) | 15 Main wheel cover (right)    | 23 Missile (upper) | 37 |
| Nose wheel cover (large) | 16 Hatch                       | 24 Missile (lower) | 38 |
| Main wheel strut (right) | 17 Under-fuselage tank shackle | 25                 |    |
| Main wheel strut (left)  | 18 Under-fuselage tank (upper) | 26                 |    |
| Main wheel               | 19 Under-fuselage tank (lower) | 27                 |    |
| Main wheel cover (right) | 20 Bomb shackle                | 28                 |    |
|                          | Bomb (upper)                   | 29                 |    |

**Completed model.**

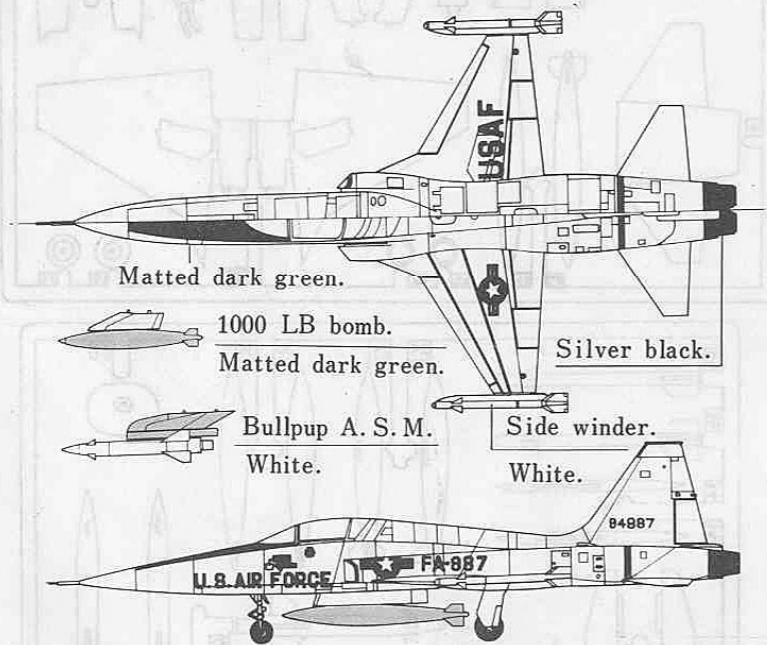


PRINTED IN ENGLAND

**1/72 SCALE NORTHROP F-5A FREEDOM FIGHTER**



**Reference drawing for painting and decoration.**



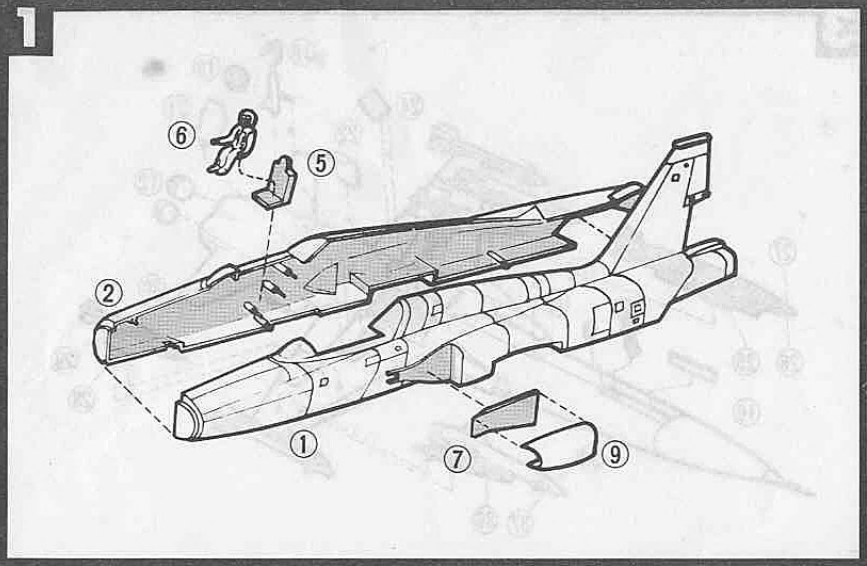
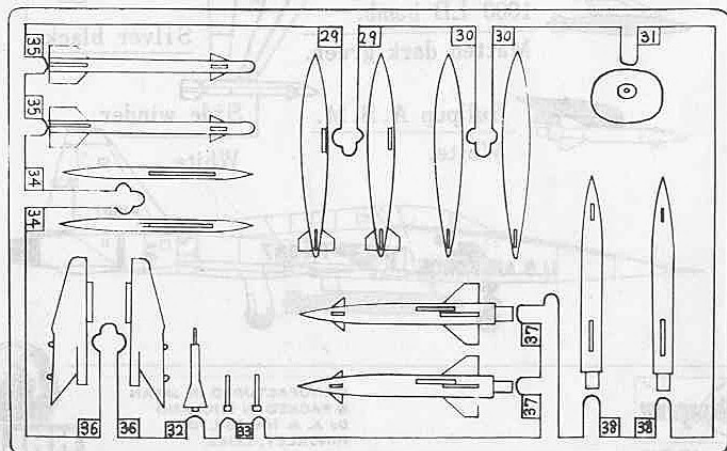
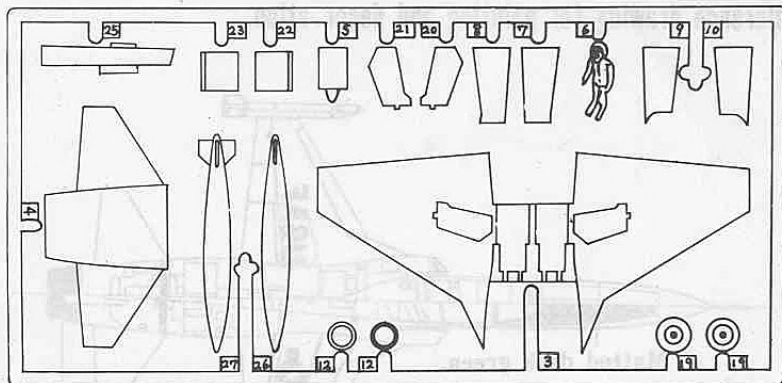
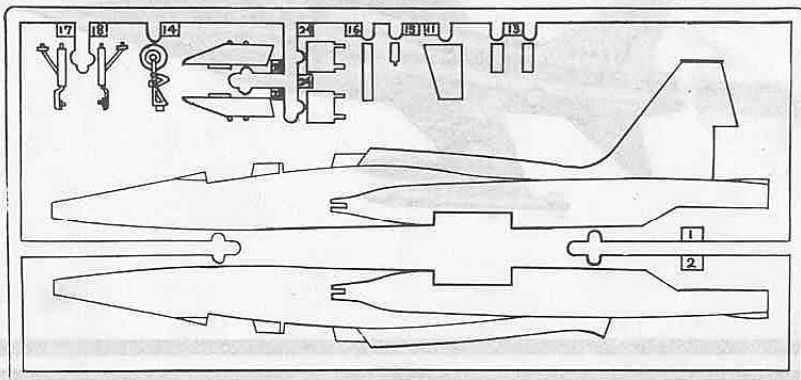
**Hasegawa**  
Kit No. JS-016

MANUFACTURED IN JAPAN  
& PACKED IN ENGLAND  
By A. A. HALES LTD.  
HINCKLEY, LEICS.



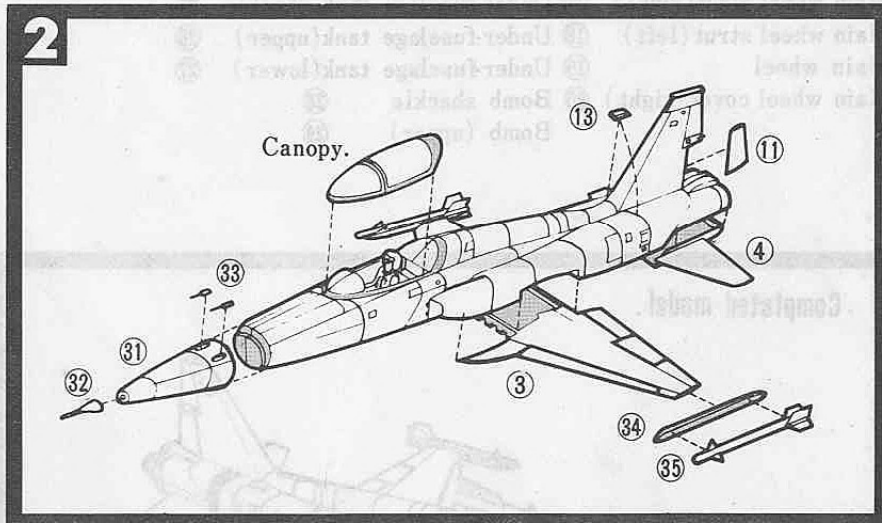
## PART DRAWINGS AND PART NUMBERS (Before Assembling Your Kit)

Read these instructions carefully before assembling your model and check the exact fit of the parts before cementing. Clean off excess plastic, if any, with a sharp knife or a file. Since many tiny parts are included, check them with the assembly drawing before assembling. Do not tear off parts from the stem, but cut them off carefully with nippers or tinsnips. Do not cut off all of the parts at the beginning, but cut each part to be assembled one by one to assure each part being properly identified. Do not use too much adhesive because surplus adhesive will spoil the appearance.



### 1 Assembling of fuselage, cockpit, pilot and air intake.

Fuselage (left)	①	Separator (left)	⑦
Fuselage (right)	②	Separator (right)	⑧
Cockpit	⑤	Air intake (left)	⑨
Pilot	⑥	Air intake (right)	⑩



### 2 Fixing of main wing, tail, Side winder and others.

Main wing	③	Vertical tail and rudder	⑪	Side winder	⑮
Tail	④	Nose part of fuselage	⑫	Side winder	⑯
Air intake	⑬	Side winder fitting	⑭	Canopy	
Pitot tube	⑰	Side winder fitting	⑱		
Machine guns	⑲				