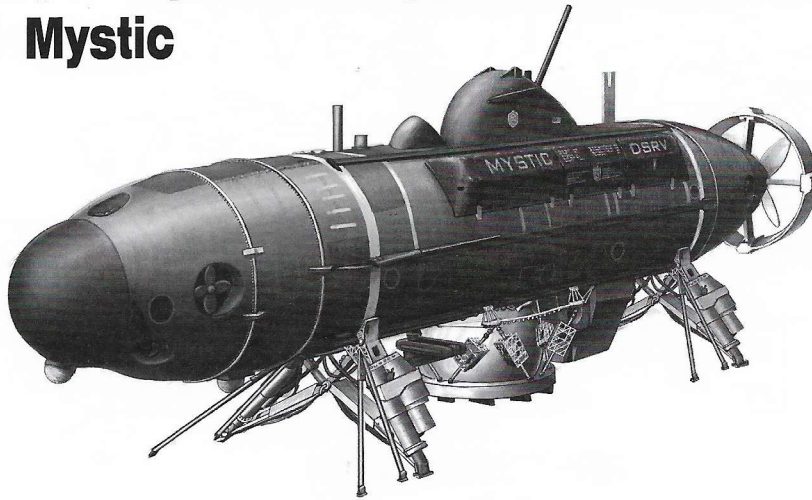


1/350 SCALE

U.S. Navy Deep Submergence Rescue Vehicle- DSRV-1 Mystic



深潜救助艇DSRV-1

CORRECT METHOD FOR APPLYING DECALS:

1. Clean model surface with wet cloth.
2. Cut out of decal sheet and dip them in cold water for 15 seconds.
3. Place it on proper position on model.
4. Slide off base paper leaving decals on model with wet finger tip.
5. Move decals to exact position, push out excess water under decal with soft cotton cloth.
6. When decals get dry then complete.

正确贴水上贴纸的方法:

1. 将模型表面擦干净。
2. 将贴纸剪下泡入清水中约15秒。
3. 将泡湿之贴纸取出置于欲贴处旁。
4. 用指尖轻推贴纸表面使其滑出底纸。
5. 将贴纸调整至适当位置并轻擦拭水份。
6. 待其自然干燥后即完成。

READ BEFORE ASSEMBLING:

- ★ When you use glue or paint, do not use near open flame, and use in well ventilated room.
- ★ Keep plastic model glue and tools away from children.
- ★ Glue, paints and tools are not included in the kit.
- ★ Remove all injection pins carefull using a modeling file.

组装前必读:

- 胶水或油漆勿接近火源，并打开窗户保持空气流通。
- 胶水、油漆及工具勿让小孩接触。
- 胶水、油漆及工具不包含在模型内。
- 小心用专业锉刀锉平所有多余胶料。

ICON INSTRUCTION 图标说明:



Bend

弯曲



Optional

选择采用



Apply Decal

贴水上贴纸



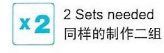
Weight

配重



Open Hole

钻孔



2 Sets needed

同样的制作二组



Remove

切除



Attention

请注意



Do not cement

不用粘合



File/Sand

锉平



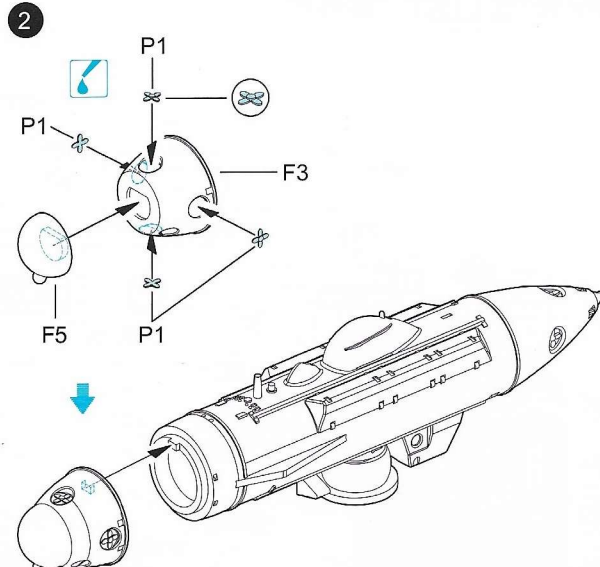
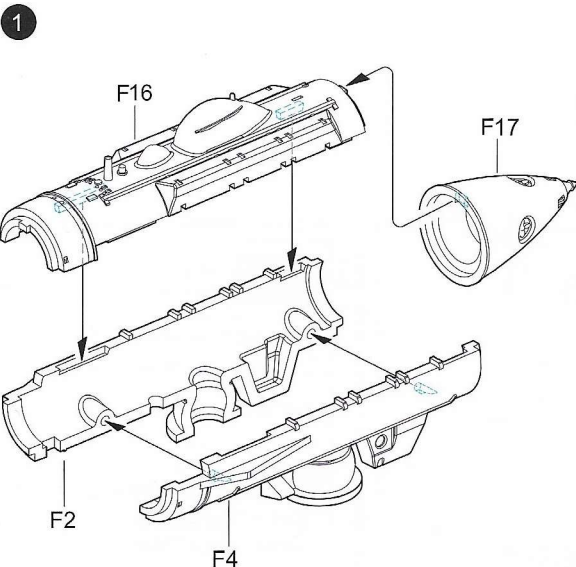
Fill Hole

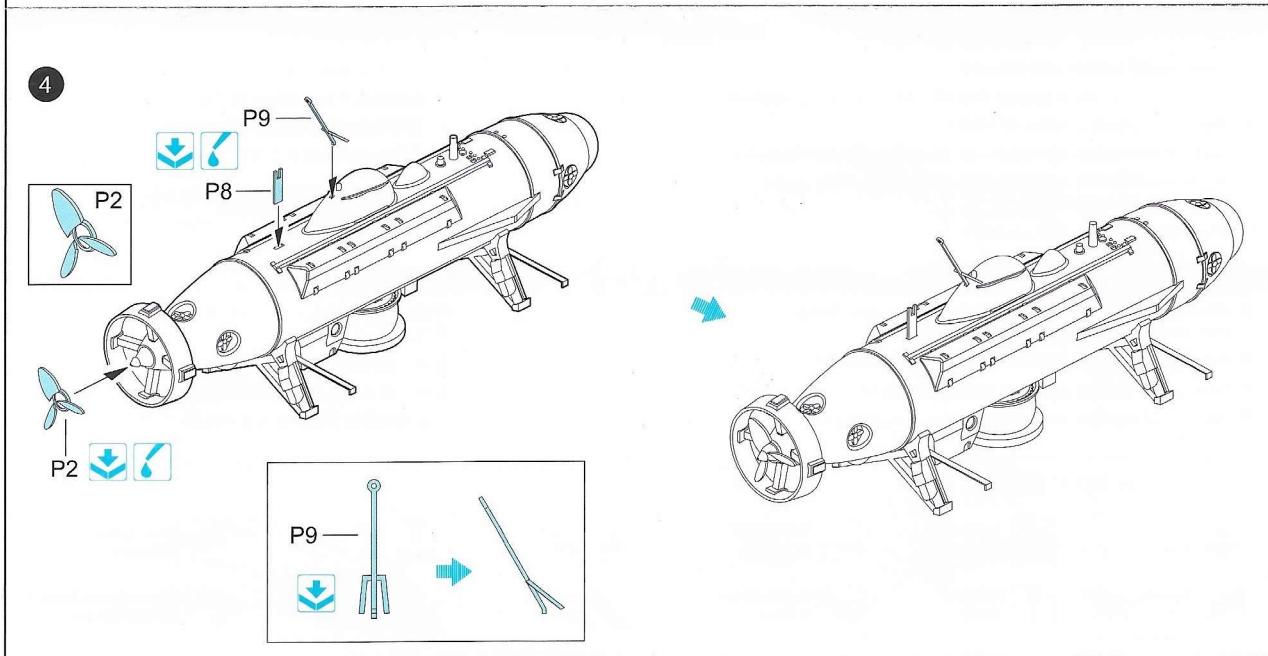
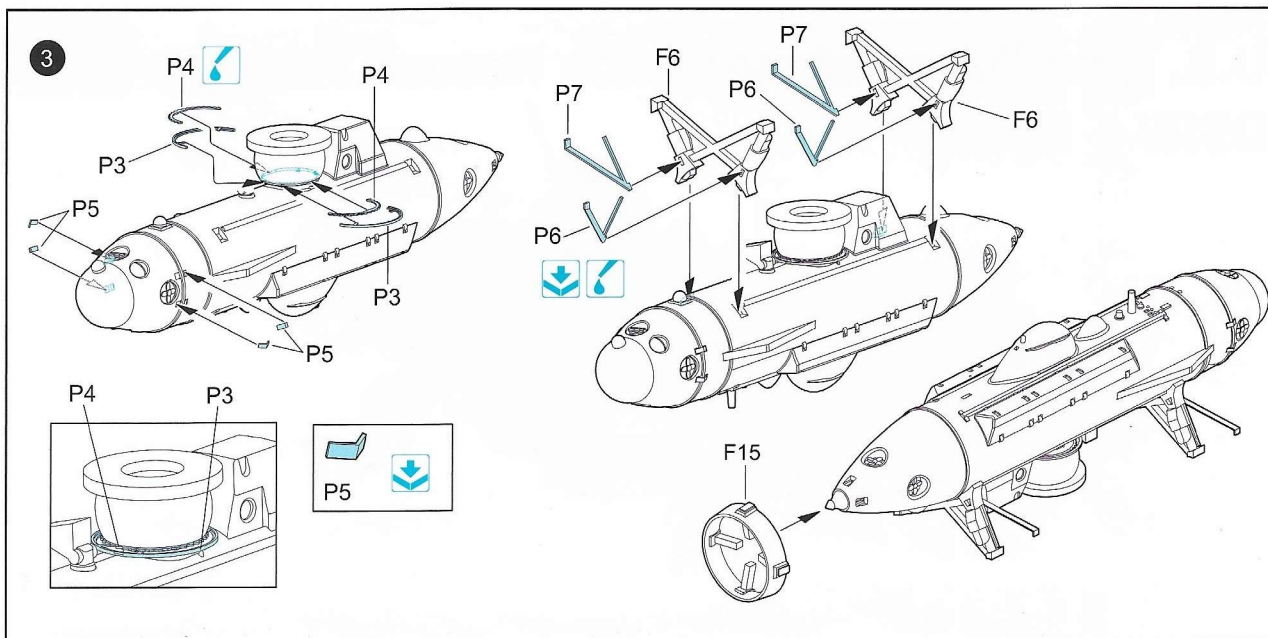
把孔填平



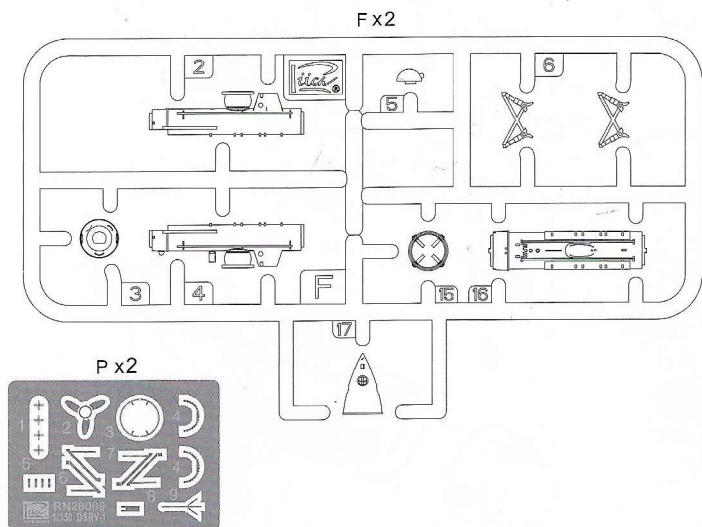
Instant Glue For Metal

瞬间接着剂金属用





PARTS LIST 零件展示:



限中国大陆 Mainland China Orders Only Please!

我会尽力为您处理
请依本表将金额寄于我司，或登陆公司网站与我们联系

RN 28009
零件补充申请表

申请人
姓名 电话 地址

F部品零件 — RMB 20
 PE 零件 — RMB 6

EMS 快递费 — RMB 20
(请填) 总计 RMB _____

零件补充原因: (请于□打√)
原包装即 遗失或 毁损
制作途中 遗失或 毁损
其他原因 _____