

NORTHROP P-61A 'BLACK WIDOW'



二战美军P-61A ‘黑寡妇’夜间战斗机

Great Wall Hobby™

ITEM L4802

The famous Northrop P-61 Black Widow was the first operational U.S. military aircraft designed specifically for night interception.

In the Battle of Britain in 1940, The RAF was at a loss countering the Luftwaffe's Night Bombardment. In darkness, the RAF fighters had less opportunities to attack than in daylight. This deeply impressed the US observers attached to the RAF at the time. When they returned to the US, they energetically demanded a night fighter which could catch and destroy raiding aircraft at night.

In Nov 1940, according to the requirements of USAAC, Northrop began comprehensive design work on an aircraft which was to become the world's first dedicated night fighter. On 11th January 1941, the USAAF ordered two prototypes named XP-61 for flight testing. On 10th March, 13 YP-61s were ordered for Operational Suitability Tests. The P-61 was about the same size as a medium bomber and had a peculiar appearance: A long fuselage gondola built between two engine nacelles and tail booms. It was equipped with Pratt & Whitney R-2800-10 Double Wasp 18-cylinder radial engines, producing 2,000 hp (1,491 kW) each. At the end of the booms there were two vertical fins connected by a horizontal tailplane. The fuselage housed the radar at the front, a three-man crew, and the weapons system. The aircraft was armed with four 20mm M2 cannons and four .50cal (12.7 mm) M2 Browning machine guns. 2900 kg bombs could be loaded as well to accomplished missions such as interception, bombing, and scouting.

P-61, 绰号“黑寡妇”，是美国诺斯罗普公司研制的著名战斗机，也是世界上第一种实用的夜间型战斗机。

1940年的不列颠战役，英国方面对于德国空军的夜间轰炸显得束手无策，在黑夜中，英国空军获得攻击的机会远远落后于白天，只有在探照灯光偶然照到才能获得攻击机会。这给在皇家空军中做观察员的美国军官留下深刻印象，他们在回国后便大力提倡发展一种在夜间能够捕捉并摧毁敌机的夜间战斗机。

1940年11月，根据美国陆航的要求，诺斯罗普飞机公司提出的一个夜间战斗机计划获得了通过，并开始实施。1941年1月11日，陆航订购了两架XP-61原型机，紧接着于同年3月10日又订购13架YP-61作战适用性试验机。作为第一款夜间战斗机，P-61的尺寸相当于中型轰炸机，外形结构奇特，机翼上两台R-2800“黄蜂”发动机向后延伸构成双后机身，尾端是双垂尾由中间安装的水平尾翼连接，中央机舱有机头雷达、驾驶舱和末端的射击员舱。武器装备有4门机炮和4挺机枪，还可携带2900千克炸弹，能完成截击，轰炸和侦察任务。

Once the Black Widow did get into action in late WWII, it was successful against a variety of targets in the European, Mediterranean, Pacific Theater, and Chinese Theater of Operations. The combat successes of P-61 NFS included 127 enemy fighter planes and bombers, and 18 V-1 buzz bombs. Until the end of WWII, Northrop produced 706 aircraft of the P-61 series

There are only 2 aircrafts preserved: one is in National Museum US Air Force in Dayton, Ohio, USA and one is located in the China Aviation Museum in Beijing, China.

"Lady GEN" was a popular P-61A and was flown by at least two crews. This example is the first crew that racked up the rather impressive scoreboard seen here. Lt. Robert A. Smith from 422nd NFS, flew this P-61A during Summer 1944. This machine had invasion stripes painted on both halves of wing undersurfaces and on undersides of tailbooms. Lt. Smith achieved six Luftwaffe and five locomotive kills on this turretless P-61. He later added one V-1 missile to this score too. Later it was flown by Captain Leonard F. Koehler, but it didn't add anything to its score under his command. Perhaps that was because they removed the upper turret with the new crew, but more likely it was because of the total lack of Luftwaffe opposition at night during the last stages of the war. The box art shows the P-61 was attacking the locomotive.

虽然P-61投入现役已经是二战末期，但是它的身影却活跃在欧洲、地中海、太平洋、中国和印度。战争中的P-61夜间战斗机中队共击落了127架敌军飞机和18枚V1型火箭。

到战争结束时，诺斯罗普公司一共生产了706架飞机，目前世界上仅存有两架，一架收藏在美国俄亥俄州代顿市的美国空军博物馆，另一架在中国的北京航空航天博物馆。

"Lady GEN" 是一架受欢迎的P-61A，至少被两个机组人员飞行。这个涂装是属于第一个机组。1944年夏，由美国陆军航空队第422夜间战斗机中队的Robert A. Smith中尉驾驶，该机在两侧机翼外端下方和尾梁下方涂有进攻条纹。Smith少尉共击落6架德军飞机，摧毁5台机车，还击落1枚V1导弹。此后驾驶该机的是Leonard F. Koehler上尉，但没有任何战果，可能是为了容纳更多的乘员而将炮塔拆除的原因，但更可能是在战争的最后阶段德国空军在夜间已经失去了任何反击能力。本套产品的封绘表现的就是该王牌在欧洲战场攻击机车的场景。

△注意:

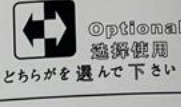
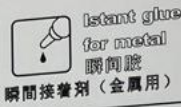
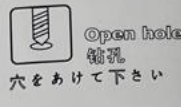
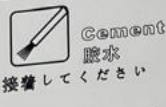
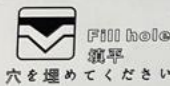
1. 勿於近火處使用膠水或油漆，並打開窗戶保持空氣流通。
2. 塗料的號碼請參考本欄以下的說明。本品本身不包括膠水和塗料。
3. 自膠架中取出部件時，應用模型專用剪，並用介刀或小挫除去多餘膠料。
4. 各圖形的含義可參考本欄以下的說明。

△CAUTION:

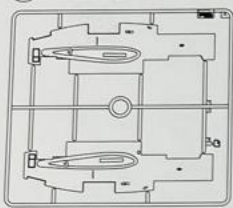
1. When you use glue or paint, do not use near a open flame, and use in a well-ventilated room.
2. See below for the color list. Glue and paint are not included in this kit.
3. When you take parts off the runner frame, use the modeling scissors and trim excess plastic with a cutter or a file.
4. See below for the meaning of symbols.

△組み立ての注意:

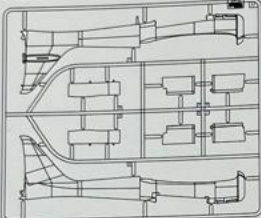
1. 接着剤や塗料は火の近くで使わないで下さい。使用の際は換気を良くして下さい。
2. 塗料指定のは下記のとおりです。接着剤や塗料が入っていませんので別に求めて下さい。
3. 部品をランナーから切り離す時は模型用小サシ剪を使い、余分な部分はカッターやヤスリ等で仕上げして下さい。
4. 組立図のサインマークは下の説明を御覧下さい。



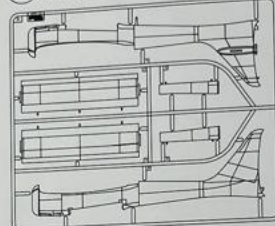
A PARTS×1



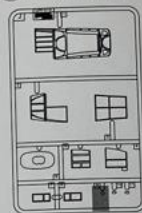
D PARTS×1



E PARTS×1



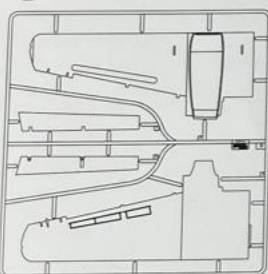
J PARTS×1



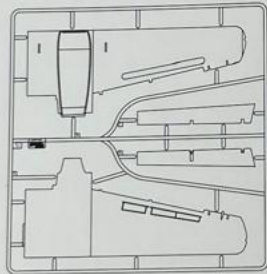
K PARTS×1



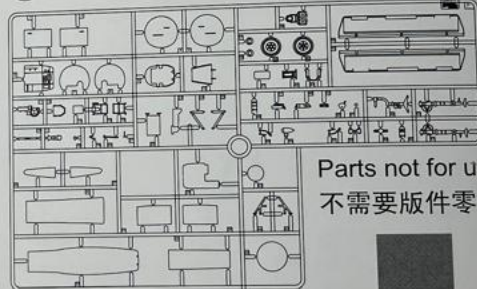
B PARTS×1



C PARTS×1



F PARTS×1



N PARTS×2

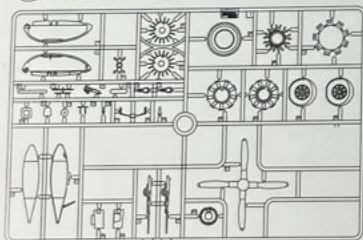


Parts not for use
不需要版件零件

G PARTS×1



I PARTS×2



PE PARTS×1



Decal A PARTS×1



Decal B PARTS×1

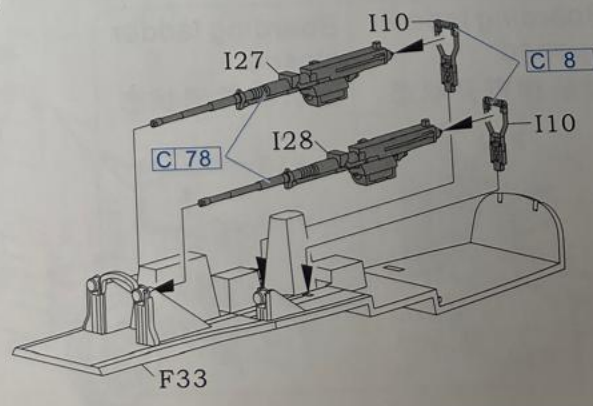
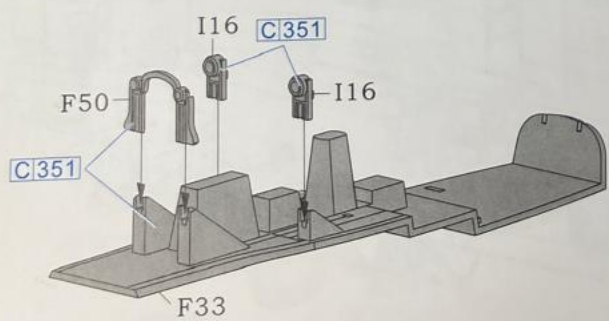
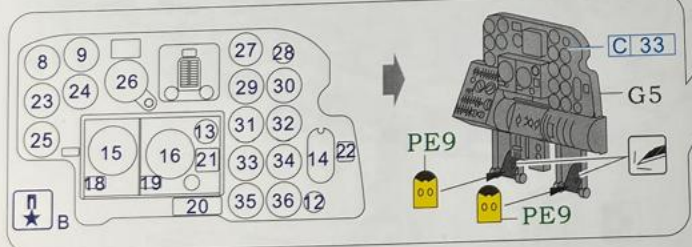
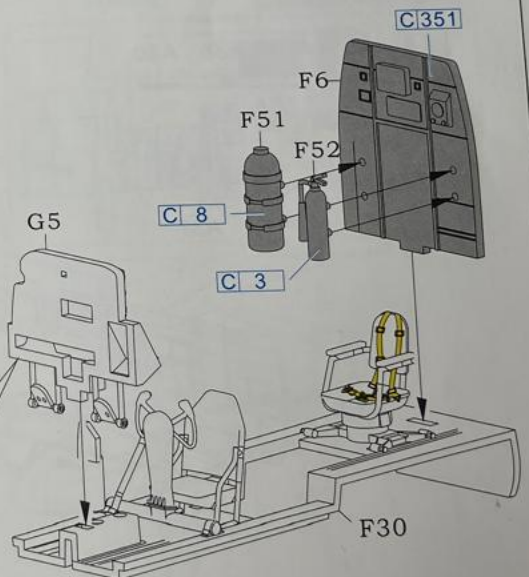
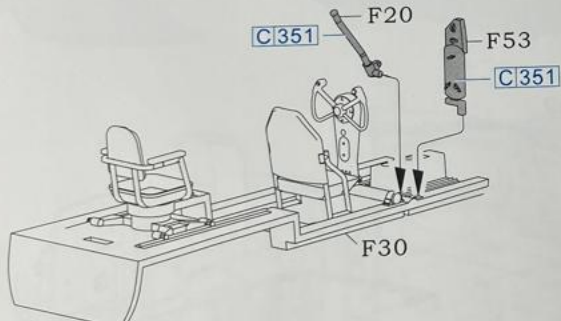
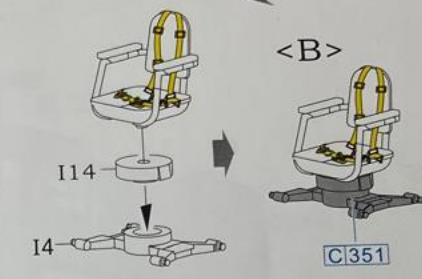
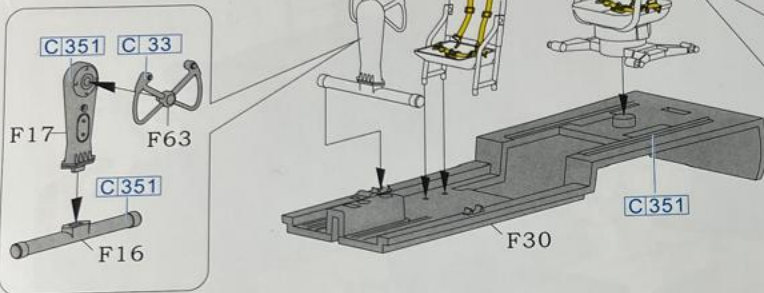
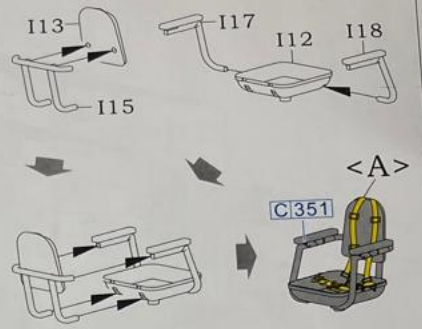
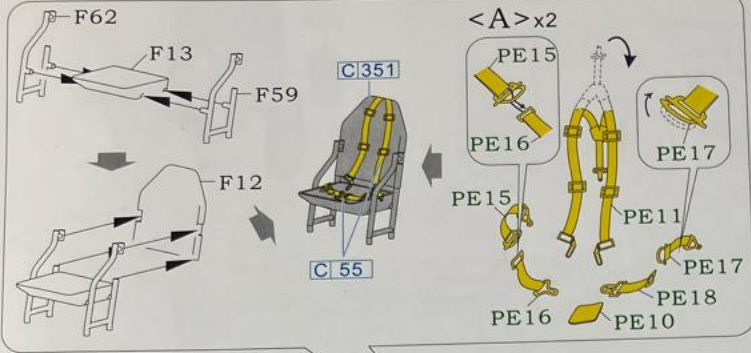


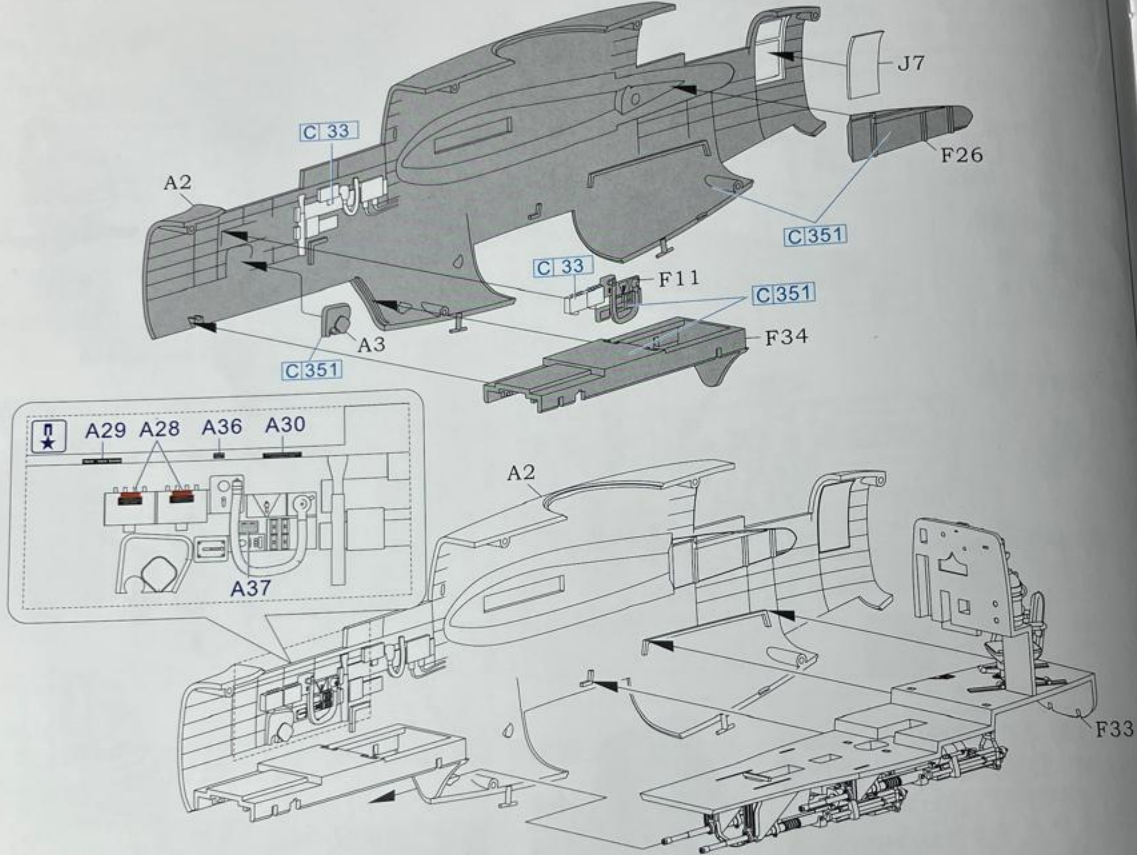
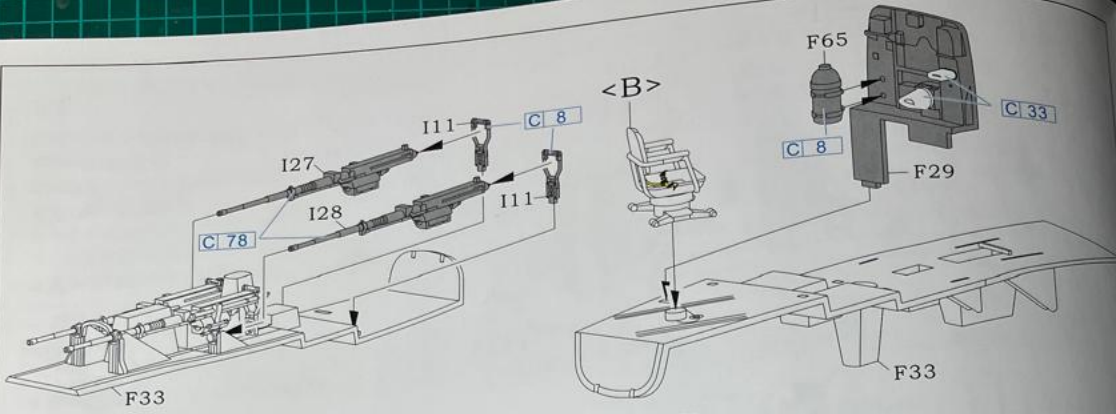
BRASS BEAMS ROUND Ø0.4mm PARTS×1



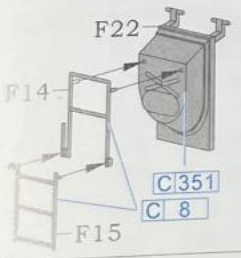
C000	GSI CREOS CORP. HOBBY COLOUR	
C 3	926 红色	Red
C 8	997 银色	Silver
C 33	073 哑黑色	Flat Black
C 13	050 中灰	Neutral Gray
C 47	934 透明红色	Clear Red
C 92	057 半光黑	Semi Gloss Black
C 138	936 透明绿色	Clear Green
C 339	994 引擎灰色	Engine Gray
C 351	美军机内绿色	Zinc-Chromate Type I

000	VALLEJO	
C 4	915 黄色	Yellow
C 12	043 橄榄褐	Olive Drab
C 55	988 卡其色	Khaki
C 61	865 烧铁色	Burnt Iron
C 78	863 金属黑	Metal Black
C 137	862 轮胎黑	Tire Black
C 316	001 白色	White
C 340	967 原野绿	Field Green
C 352	美军机内黄色	Chromate Yellow Primer

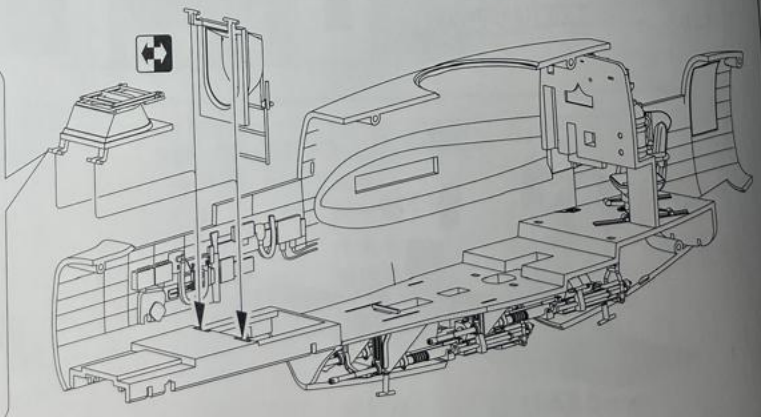
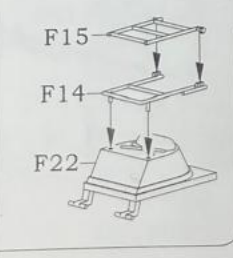


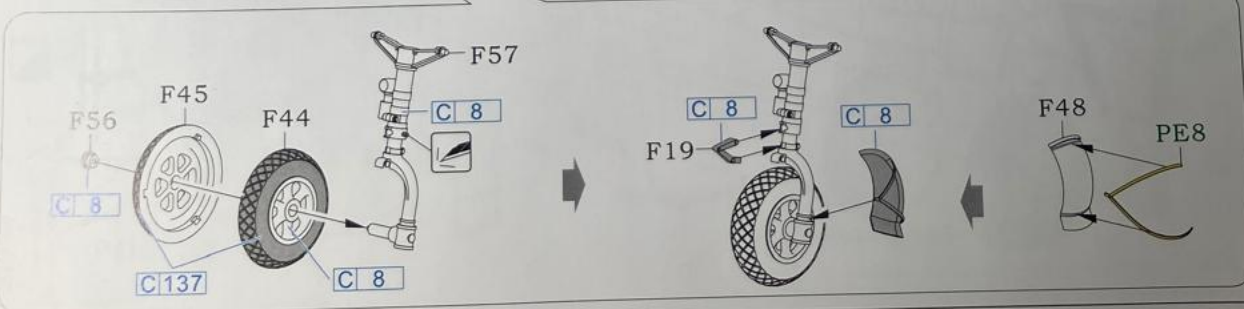
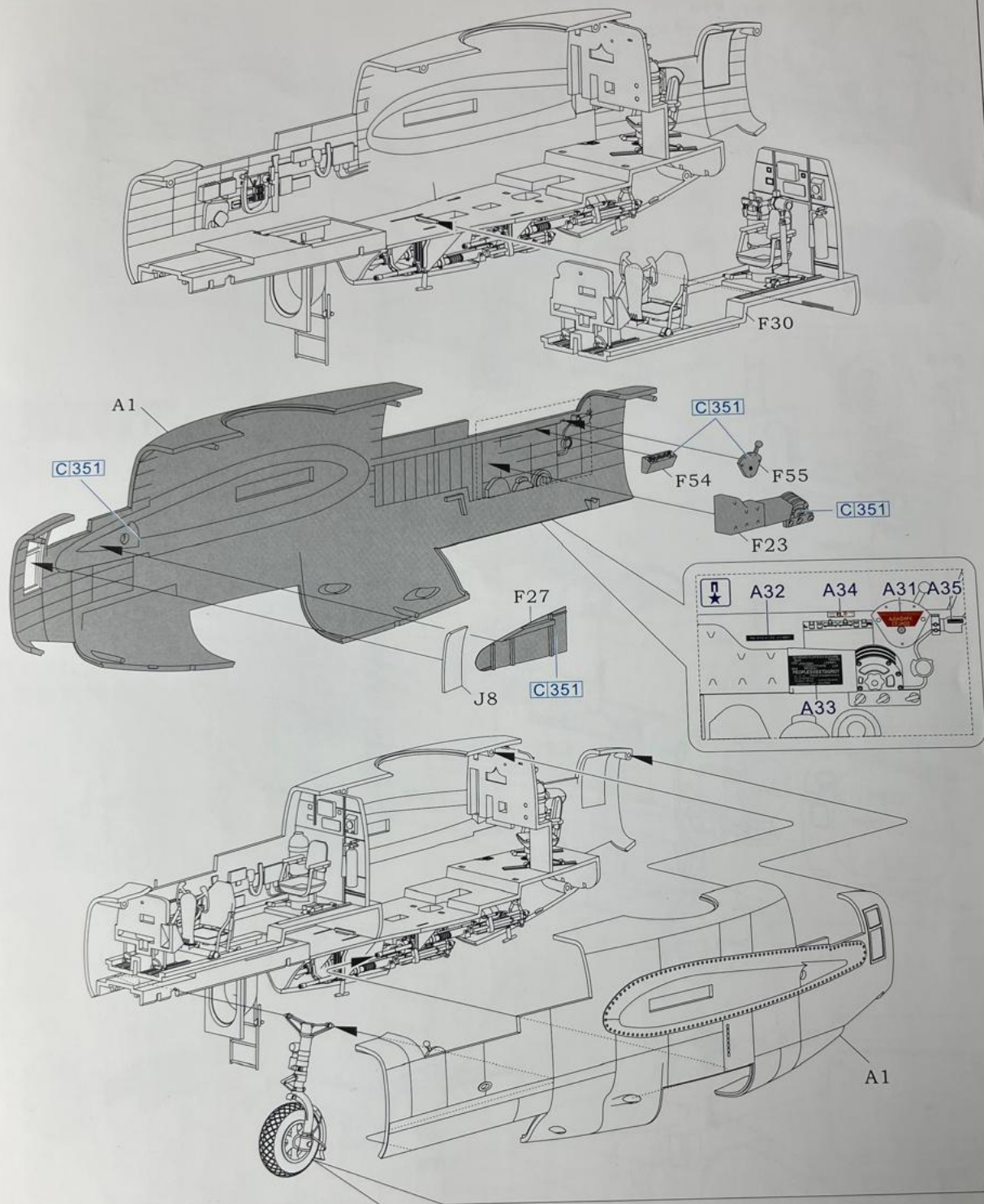


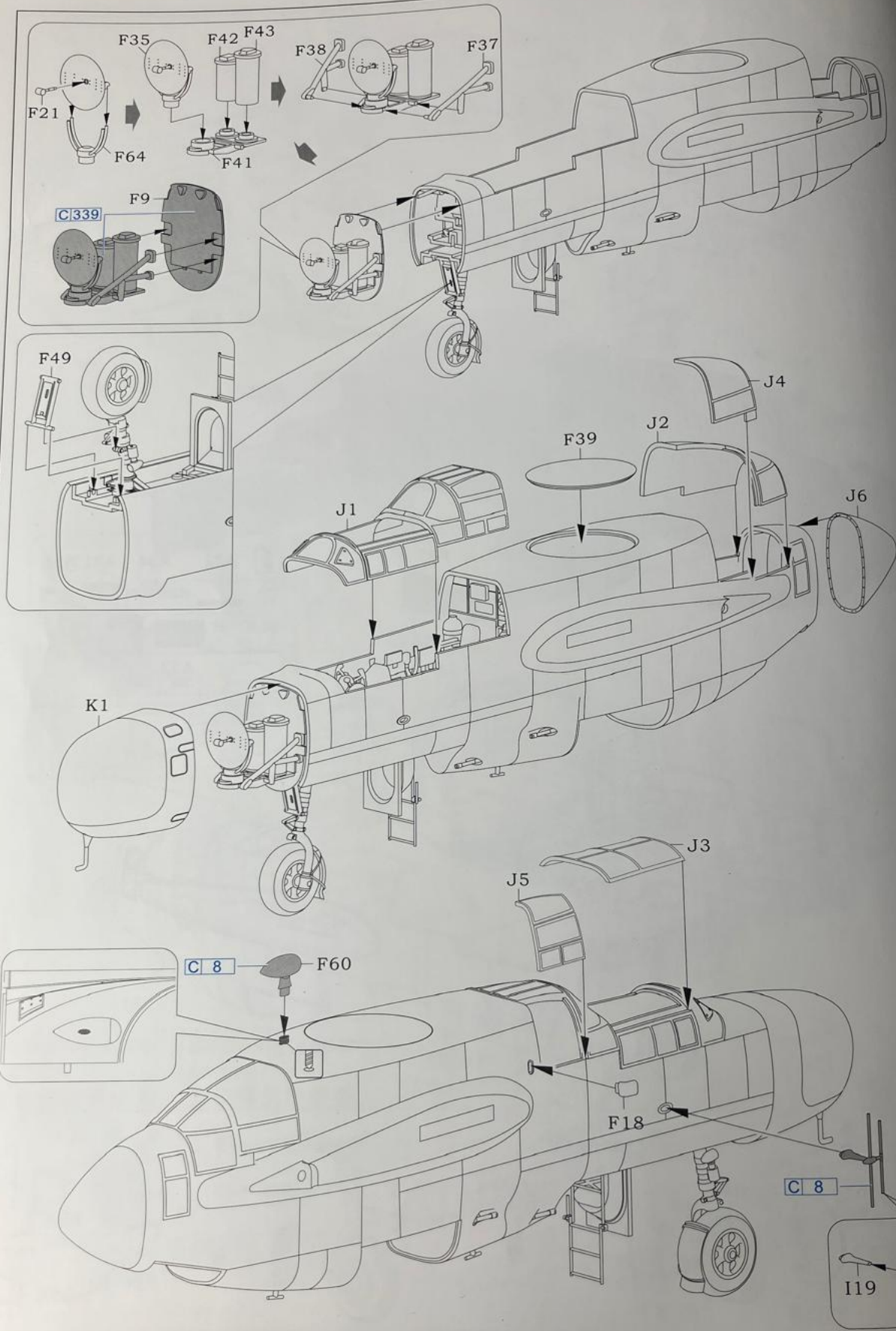
Boarding ladder
opened
登机梯打开状态



Boarding ladder
closed
登机梯关闭状态



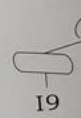




《L》

Air br
減速板

<C>

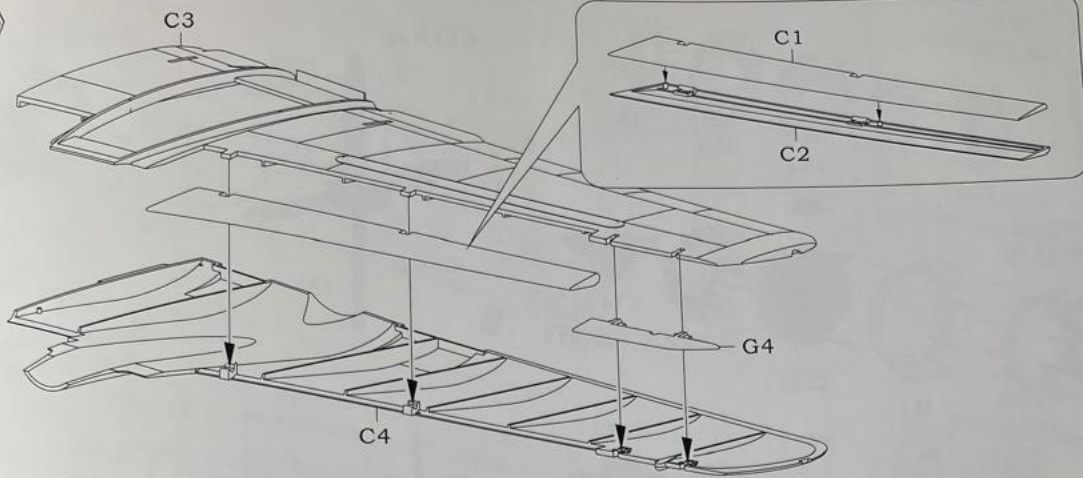


Air b
減速

<C>

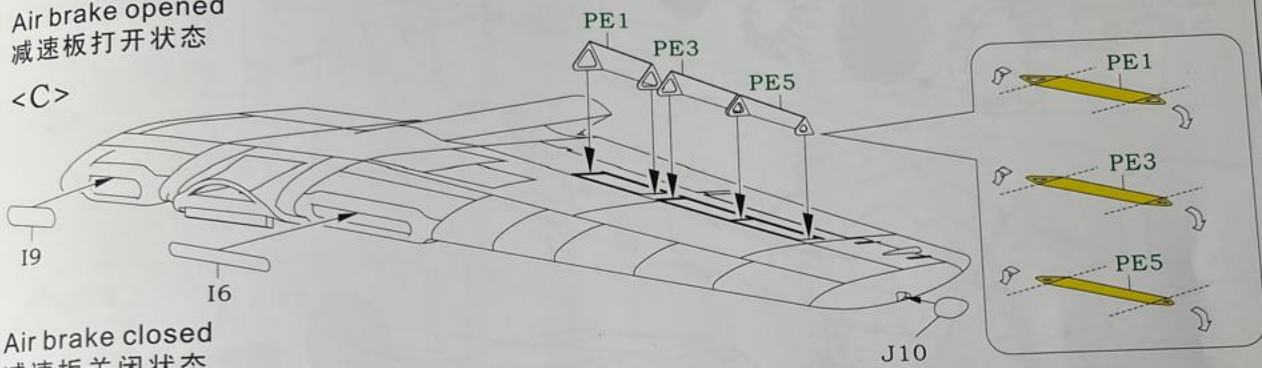


《L》



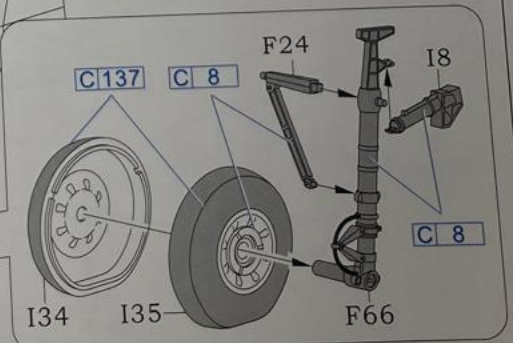
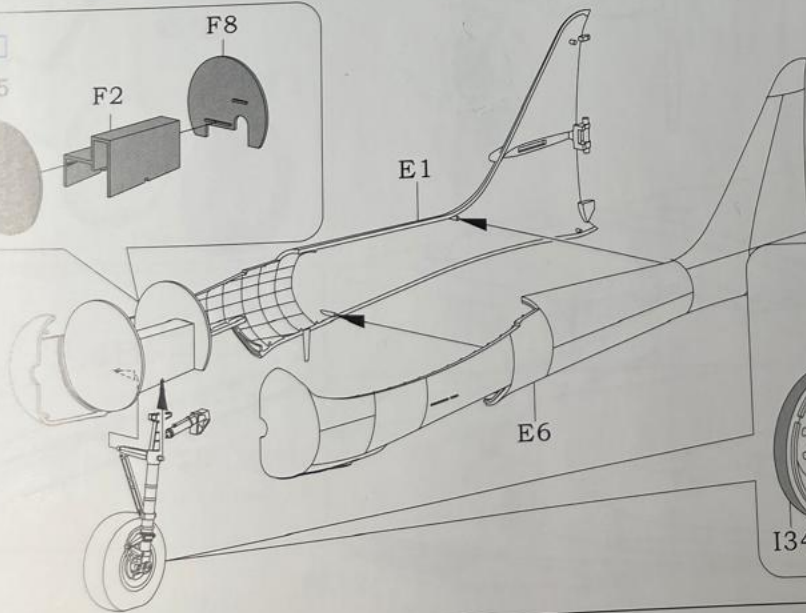
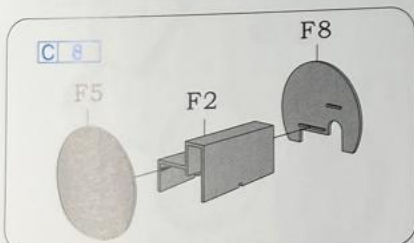
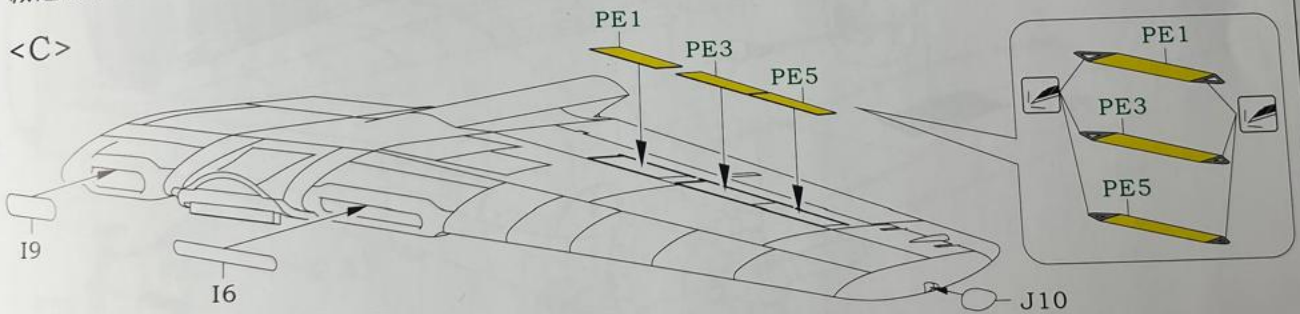
Air brake opened
减速板打开状态

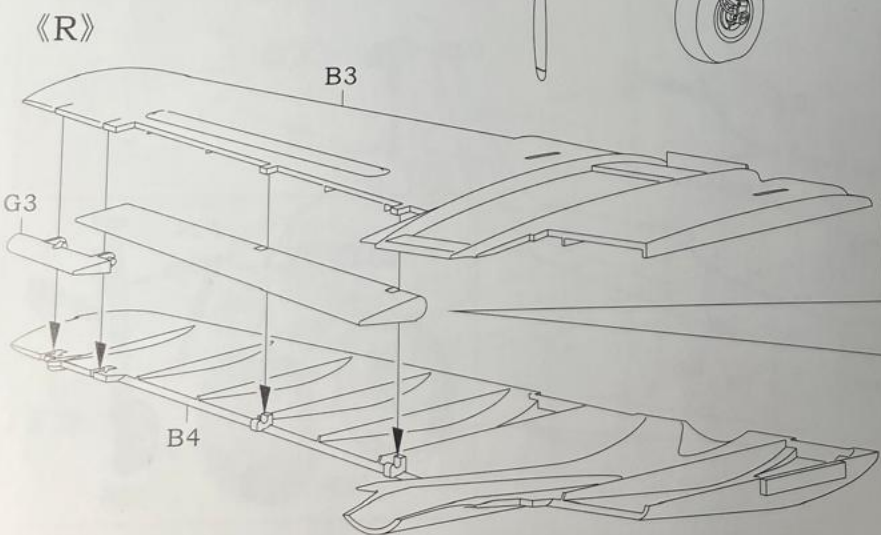
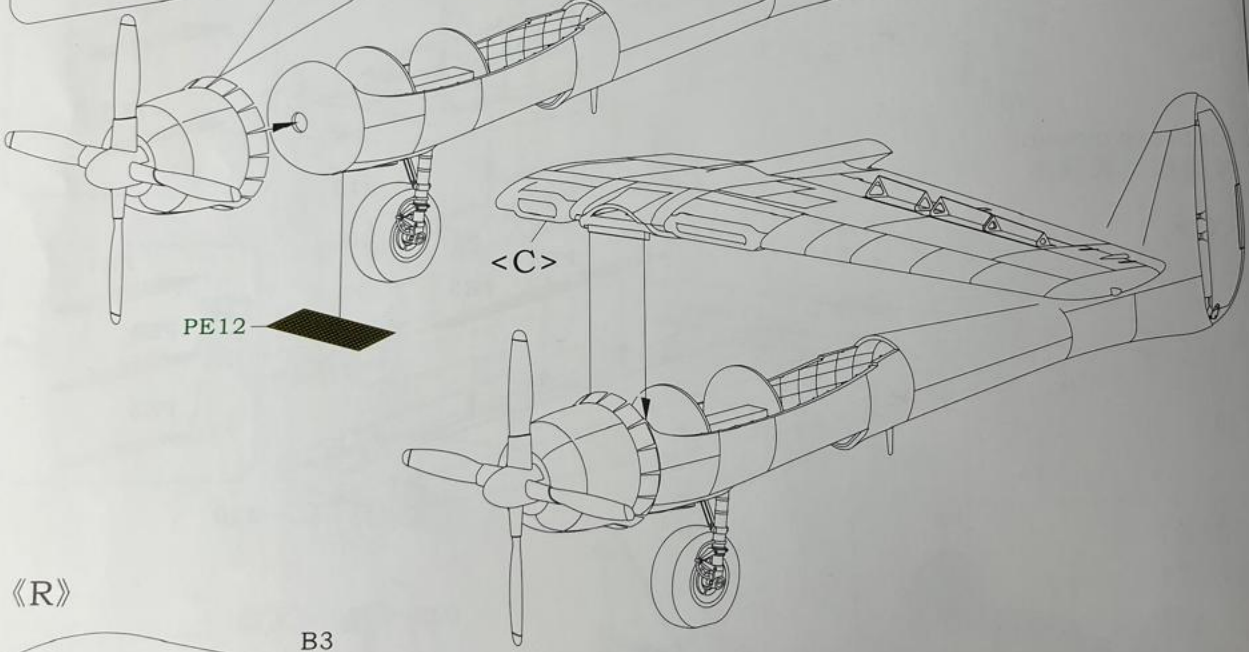
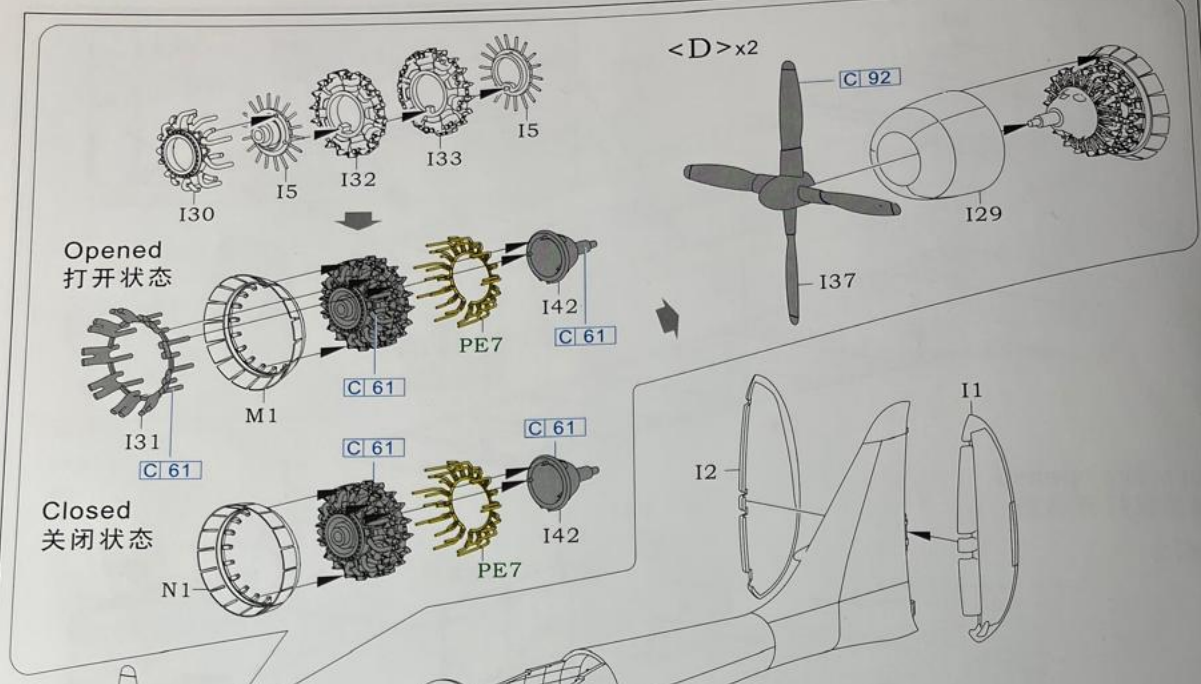
<C>



Air brake closed
减速板关闭状态

<C>





Air brake
减速板打

J11

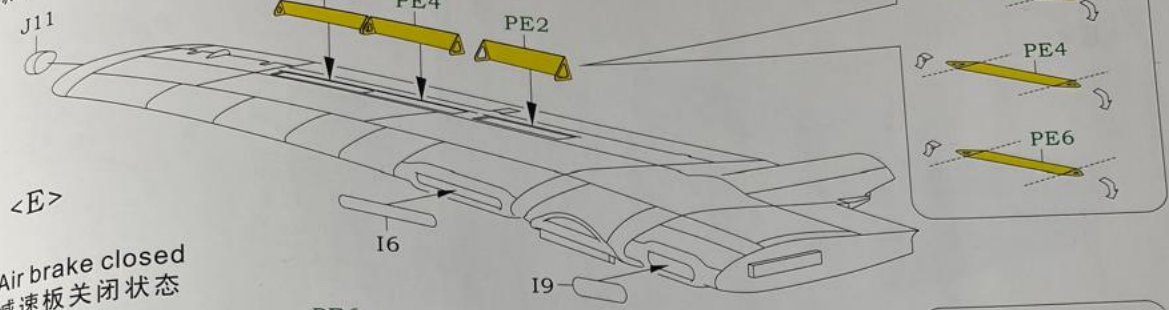
<E>

Air brake
减速板

J11

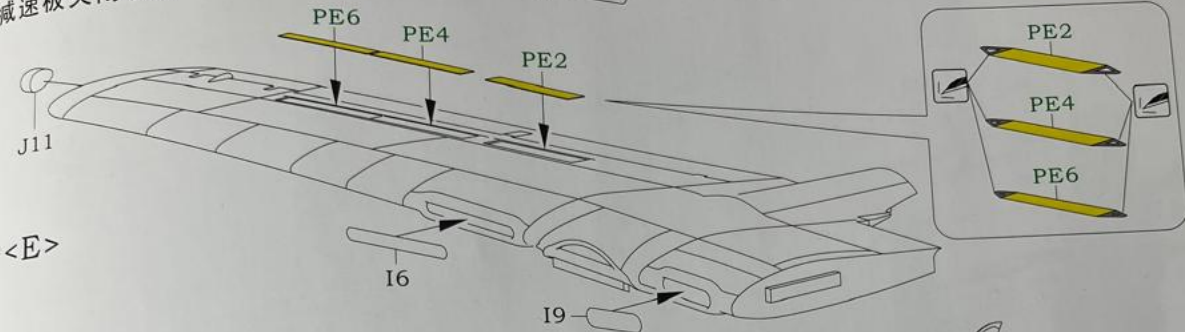
<E>

Air brake opened
减速板打开状态

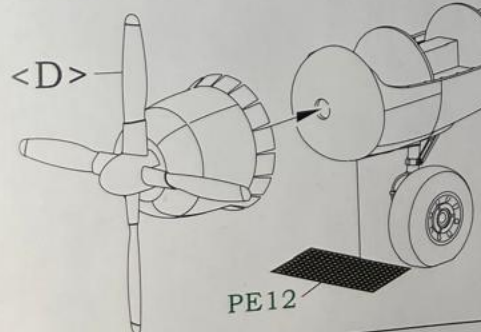
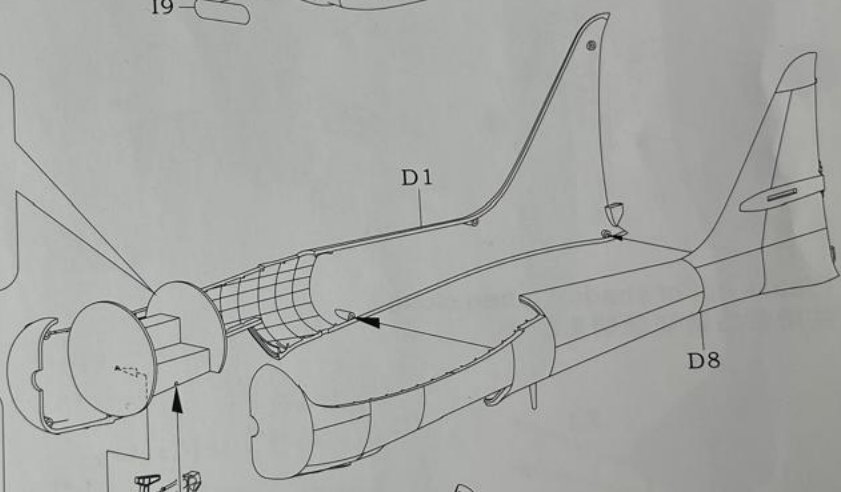
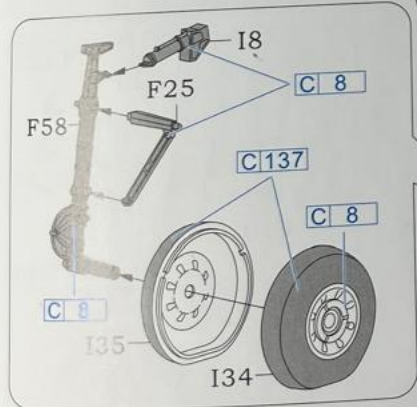
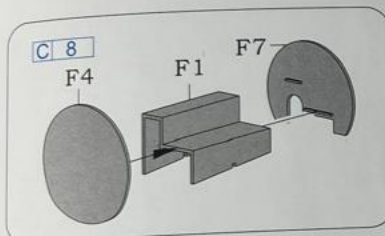


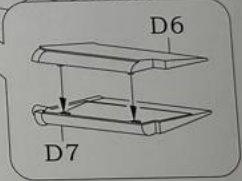
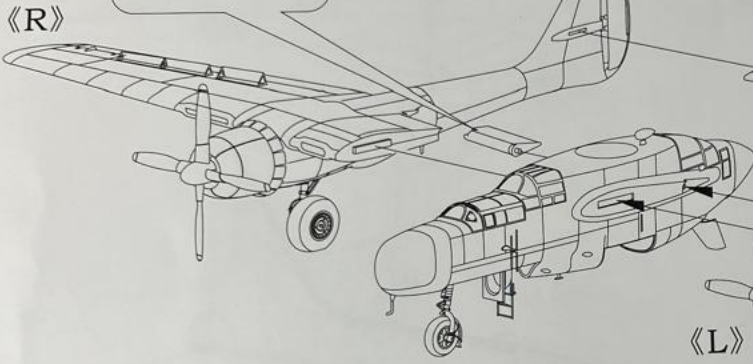
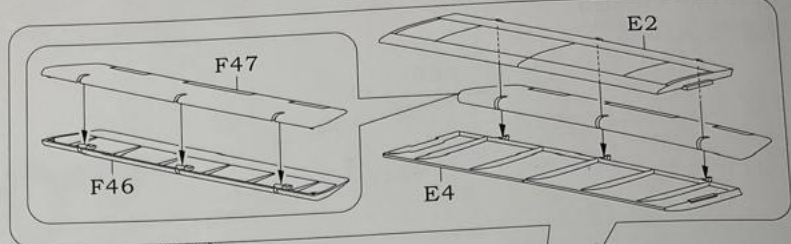
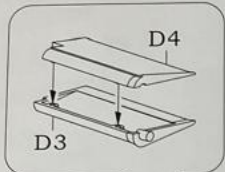
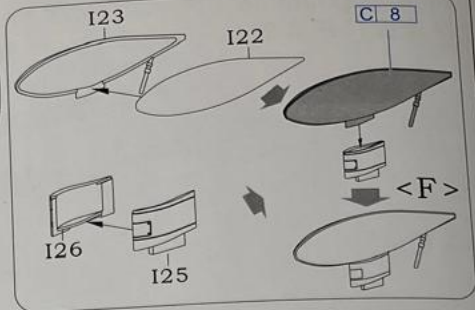
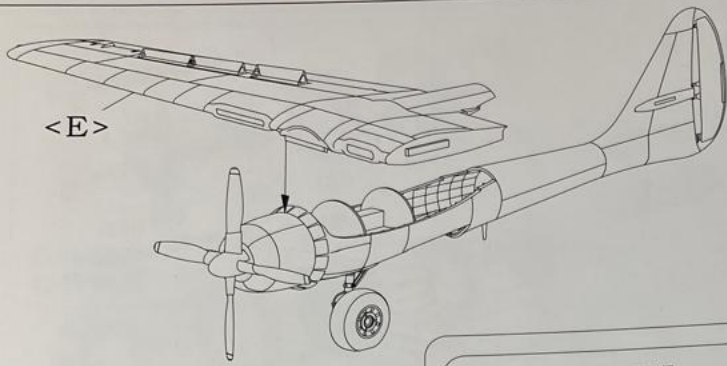
<E>

Air brake closed
减速板关闭状态

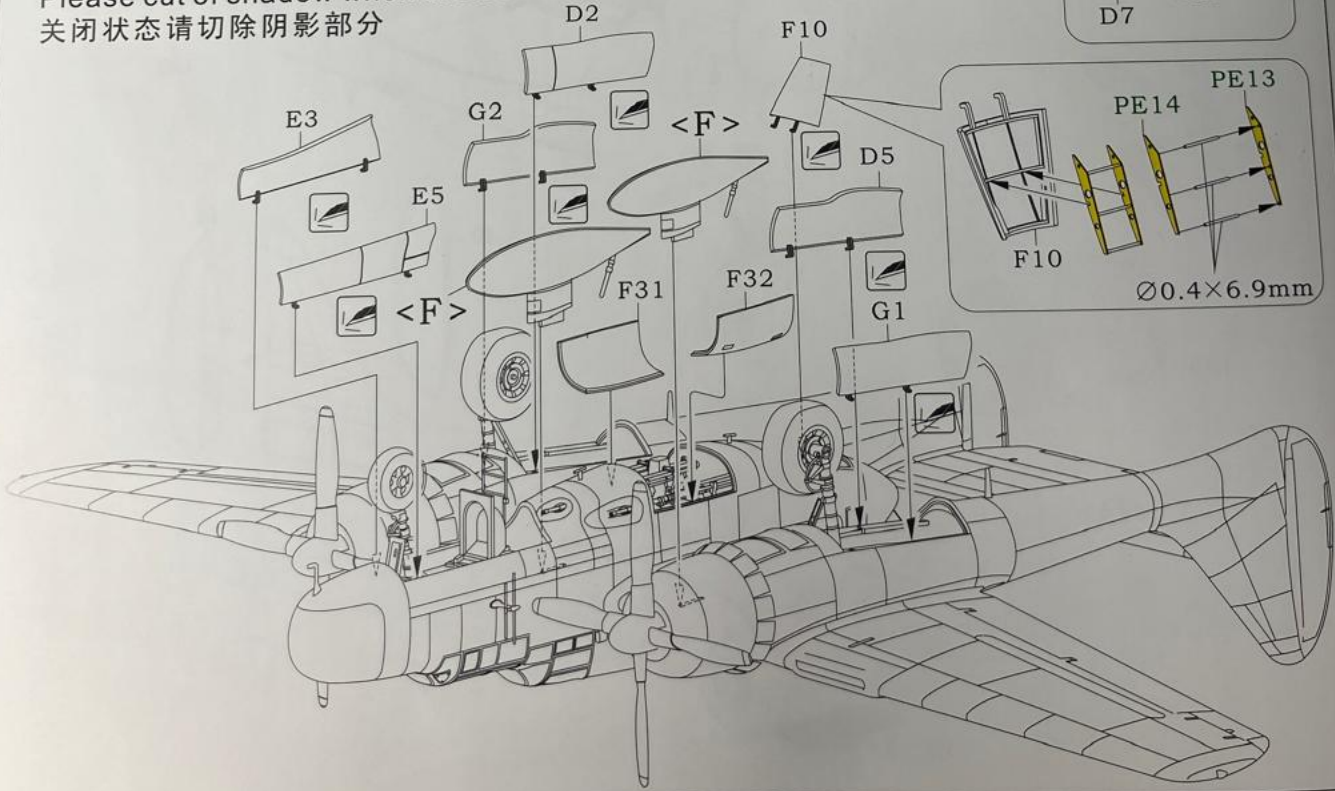
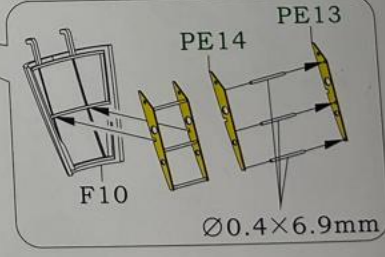
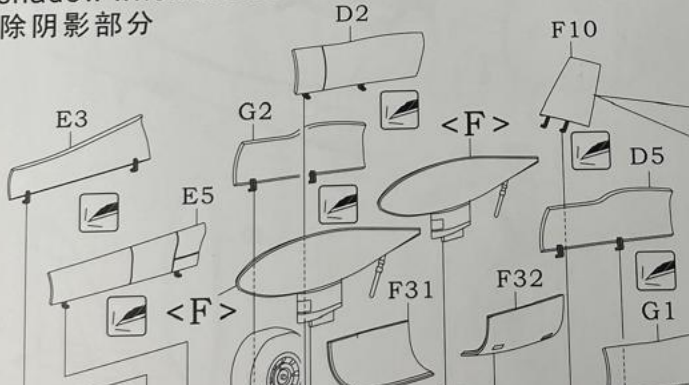


<E>

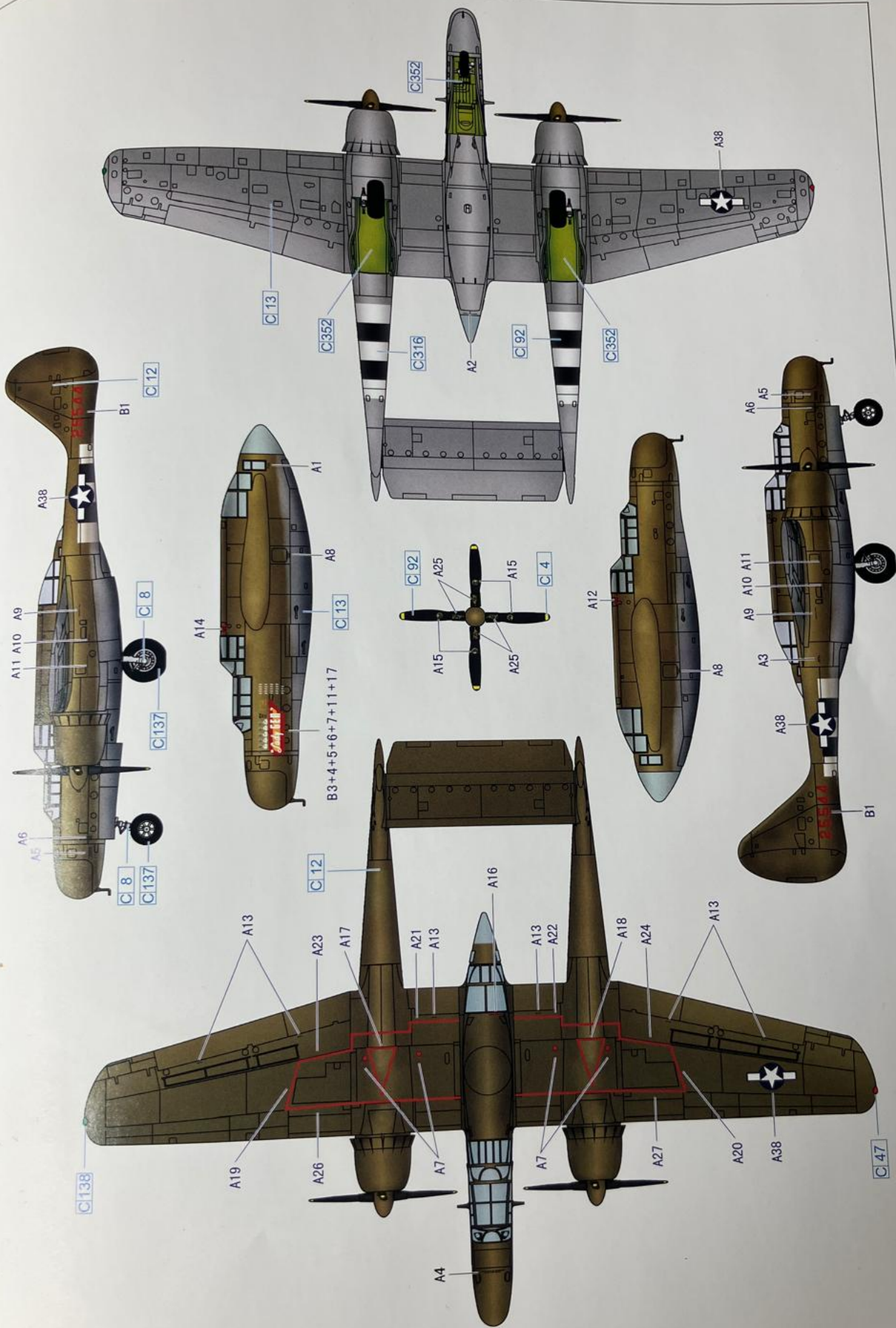




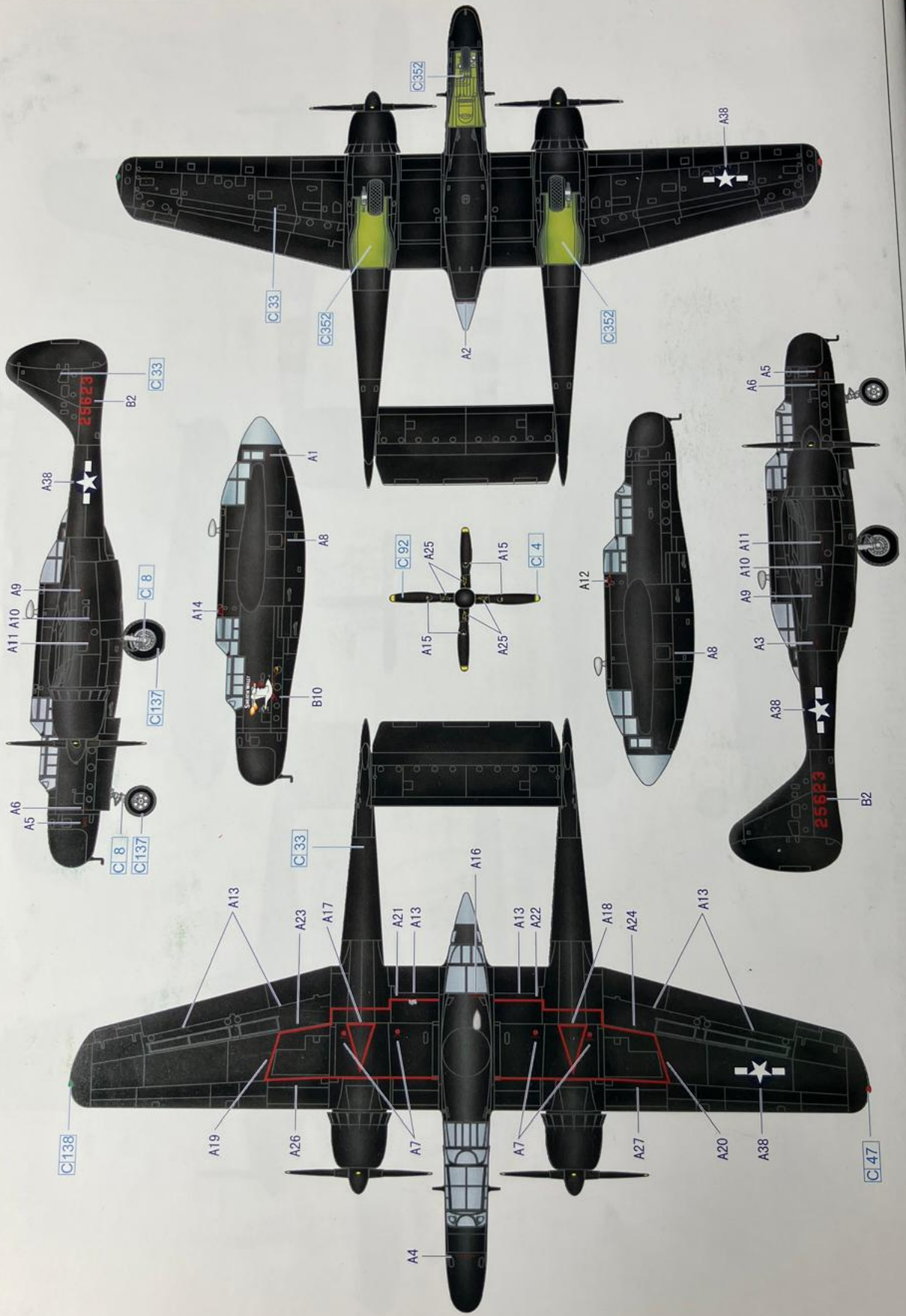
Please cut of shadow when closed
关闭状态请切除阴影部分



I P-61 A "Lady Gen", Florennes, Belgium, December 1944



P-51A "Sweatin' Wally", Myitkyina, Burma, 1944



订正
CORRECTION

Please counter weight
请使用配重

