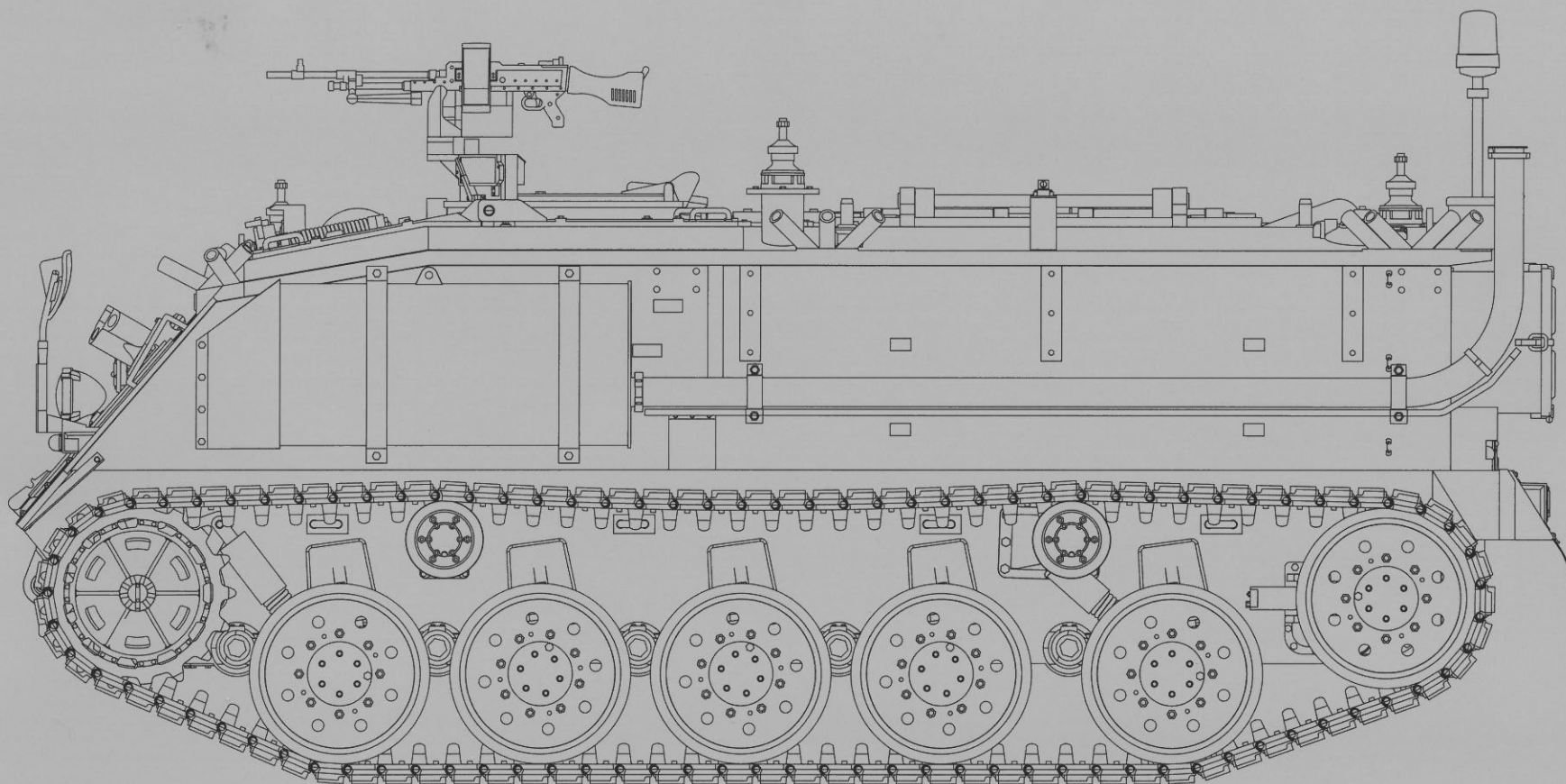


BRITISH APC

# FV432 Mk.2/1



The Fighting Vehicle 432 Carrier Personnel Fully Tracked, to give it its full title, entered service in 1963. Over 3000 examples were built between 1963 and 1971, with most 432's being built to Mk 2/1 standard. Remarkably, approximately 1500 are still in front line service over 50 years later. This longevity is the result of a combination of good design, future proofing and luck, as its replacements have proved inferior or been cancelled over the decades. Leaving the 432 to soldier on alone, the Fv 432 Mk 3 "Bulldog" is expected to serve beyond 2025. The 432 was designed from the outset to carry out multiple roles without major modification, so the base vehicle can be quickly converted into Ambulance, 81mm mortar carrier or command post variants, to name but a few. The 432 platform has also been used for a range of specialist vehicles such as the FV 433 Abbott 105mm Self Propelled Gun, Fv 434 fitter's vehicle and Fv 438 Swingfire.

The 432 Mk 2/1 APC weighs 15 tons and is powered by a Rolls Royce B60 multifuel (diesel in practice) engine which can reach a speed of 32 mph/53kph with an impressive range of 360 miles/580 km. The armour is 12.3 mm thick and is only proof against small arms and shell splinters. NBC protection is provided by an overpressure protection system. The vehicle has a crew of 2 (consisting of driver and commander), and carries a full infantry section of 10 men. Armament comprises of a single 7.62mm GPMG fired by the vehicle commander and 2 sets of smoke dischargers mounted on the front corners of the vehicle. Most importantly for any British Squaddie was the installation of two Boiling Vessels, or BV's, without which the British army would not be able to function. The 432 was not designed to engage other vehicles or infantry, but was instead supposed to perform the role of a battlefield taxi, delivering and collecting the Infantry from action. Space inside the APC has always been inadequate for a 10-man infantry section, leading to the vehicle's exterior having a very cluttered appearance as kit was stashed everywhere. Eventually in the 1990's, the 432 fleet was modified with a large open mesh basket and additional side bins.

03.03.2066



# FV432 MK.2/1

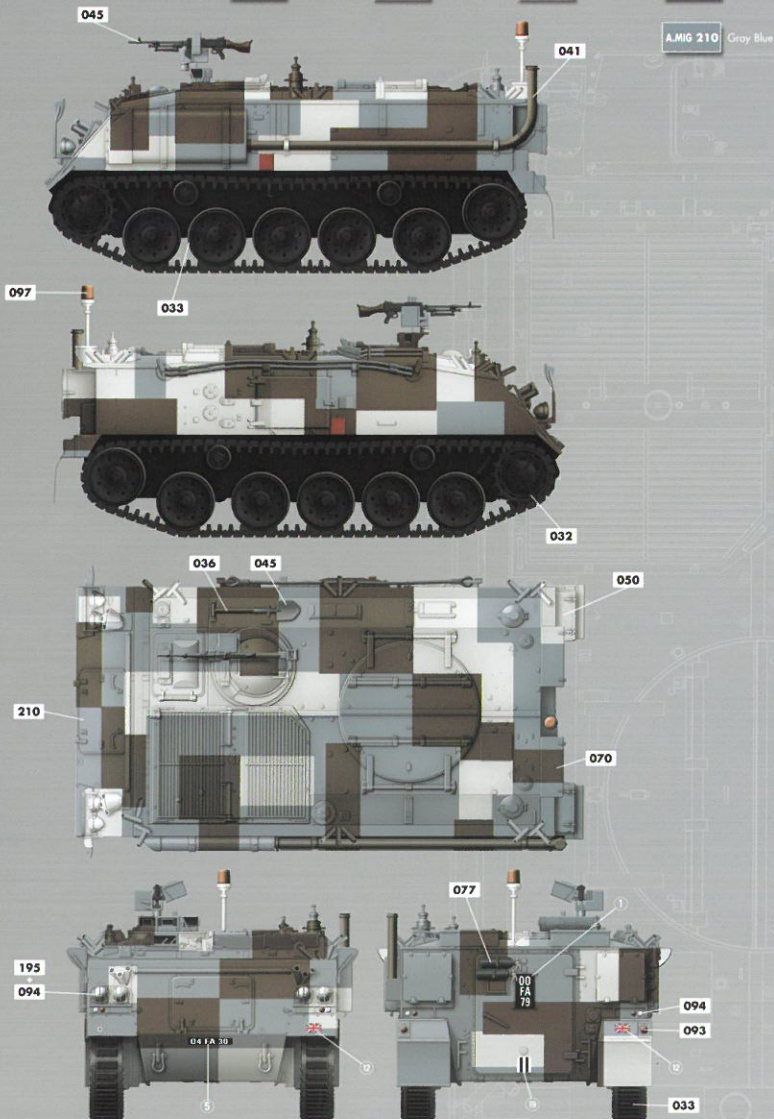
Color info and profiles by



## Painting and Marking Guide

- A.MIG 033 Rubber & Tires
- A.MIG 036 Old Wood
- A.MIG 041 Dark Rust
- A.MIG 045 Gun Metal
- A.MIG 077 Dull Green
- A.MIG 093 Crystal Red
- A.MIG 094 Crystal Glass
- A.MIG 097 Crystal Orange
- A.MIG 195 Silver
- A.MIG 032 Satin Black
- A.MIG 050 Matt White
- A.MIG 070 Medium Brown
- A.MIG 210 Gray Blue

Berlin, 1980.



03.03.2066



# FV432 MK.2/1

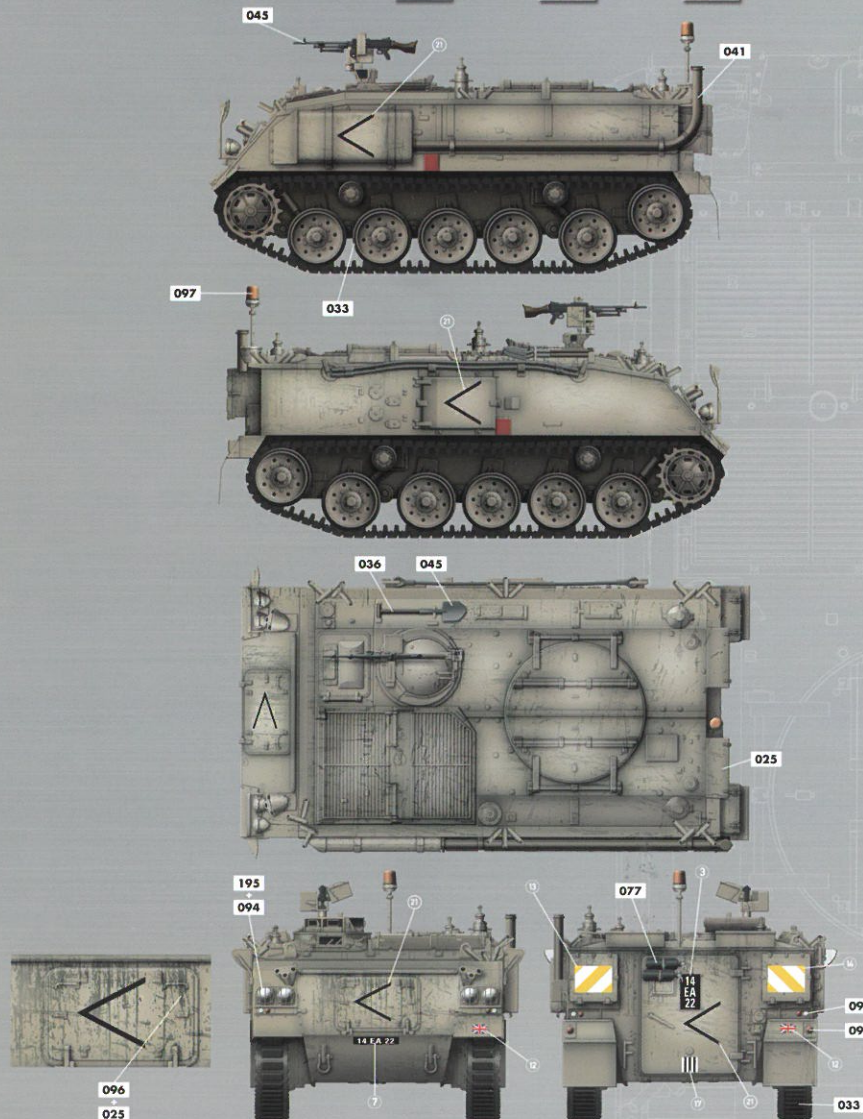
Color info and profiles by



## Painting and Marking Guide

- A.MIG 033 Rubber & Tires
- A.MIG 036 Old Wood
- A.MIG 041 Dark Rust
- A.MIG 045 Gun Metal
- A.MIG 077 Dull Green
- A.MIG 093 Crystal Red
- A.MIG 094 Crystal Glass
- A.MIG 097 Crystal Orange
- A.MIG 195 Silver
- A.MIG 025 US Modern Vehicles
- A.MIG 096 Crystal Periscope Green

Royal Scots 7th Armoured Brigade.



# READ BEFORE ASSEMBLY

## CAUTION

- Read carefully and fully understand the instructions before commencing assembly. A supervising adult should also read the instructions if a child assembles the model.
- When assembling this kit, tools including knives used. Extra care should be taken to avoid personal injury.
- Keep out of reach of small children. Children must not be allowed to suck any part, or pull vinyl bag over their heads.



Optional



Be Careful



Do Not Cement



Apply Decal



Remove Instant Glue for Metal



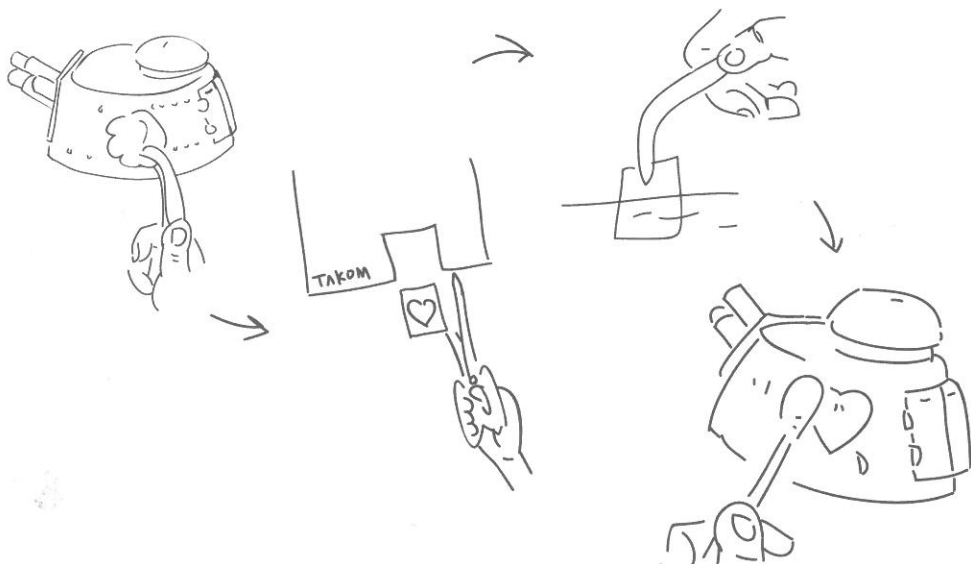
Instant Glue for Metal



Fill Holes for Metal

## APPLYING DECALS

1. Clean the model surface with a wet cloth.
2. Cut out each decal design from sheet, and dip it in tepid water for 15~20 sec.
3. Hold the backing sheet edge and slide decal onto the model.
4. Move decal into position by wetting decal with finger.
5. Press decal gently down with a soft cloth until excess water and air bubbles are gone.

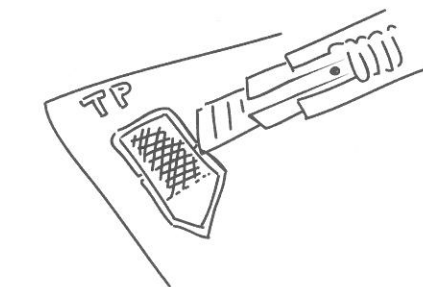


## PAINTS REQUIRED

Color info and profiles by Mig Jimenez

A.MIG 025	US Modern Vehicles	A.MIG 032	Safin Black	A.MIG 033	Rubber & Tires	A.MIG 036	Old Wood
A.MIG 041	Dark Rust	A.MIG 045	Gun Metal	A.MIG 050	Matt White	A.MIG 070	Medium Brown
A.MIG 077	Dull Green	A.MIG 093	Crystal Red	A.MIG 094	Crystal Glass	A.MIG 097	Crystal Orange
A.MIG 195	Silver	A.MIG 061	Warm Sand-Yellow	A.MIG 084	NATO Green	A.MIG 096	Crystal Periscope Green
A.MIG 210	Gray Blue						

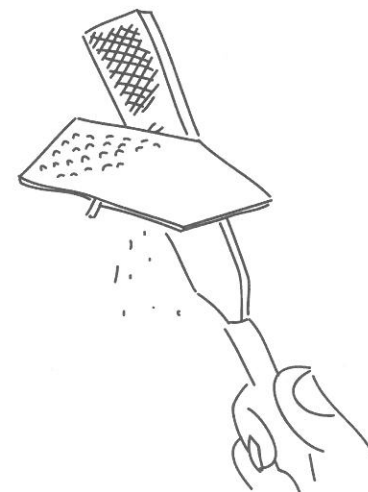
## REMOVING PE



Be careful not to hurt when removing PE parts.

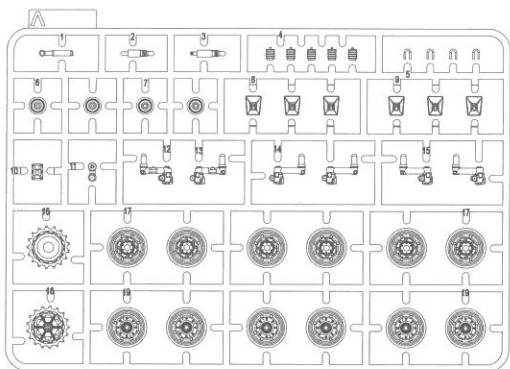


Secure using instant glue (not included).

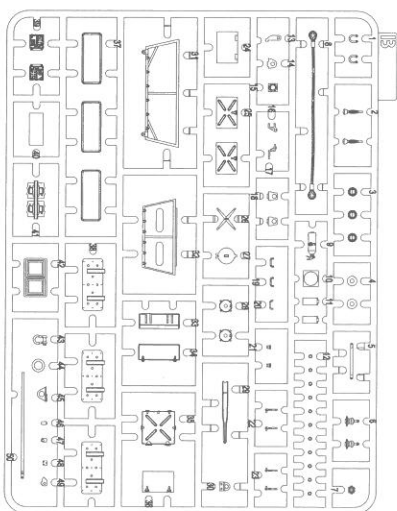
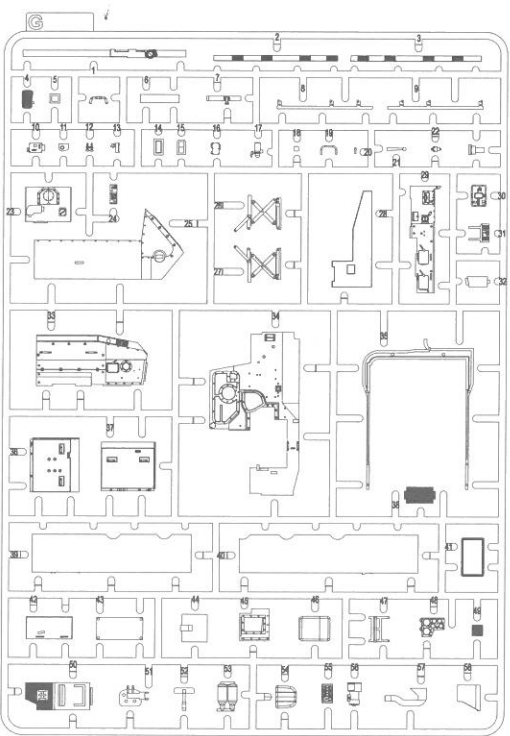
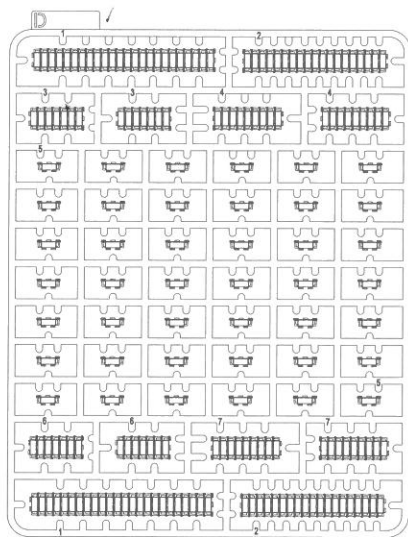


Finish using file.

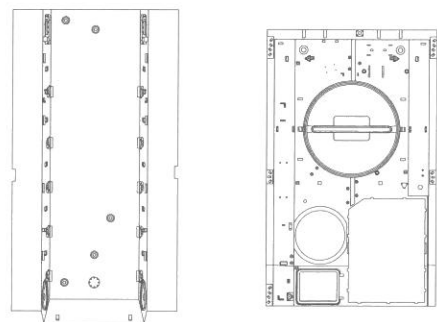
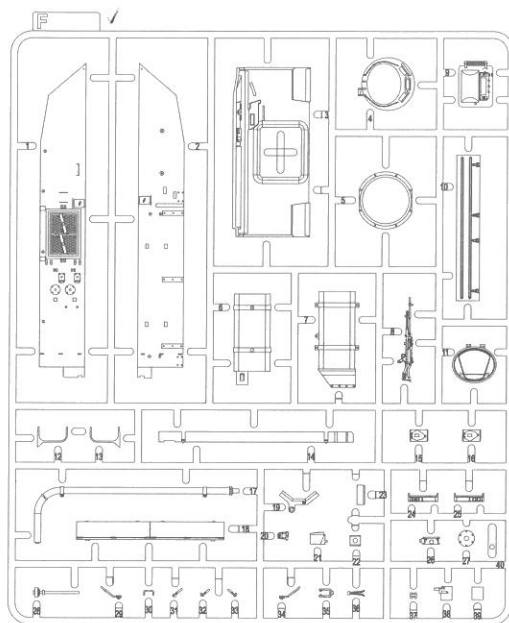
# PARTS



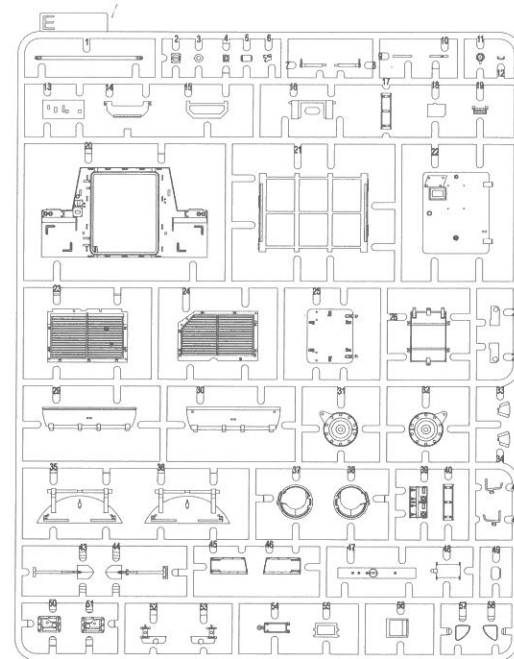
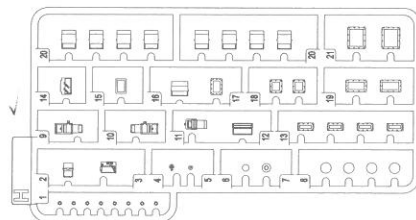
X2



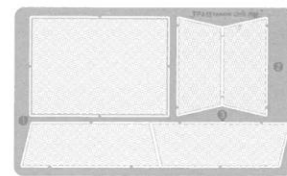
X2



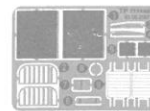
Lower Hull



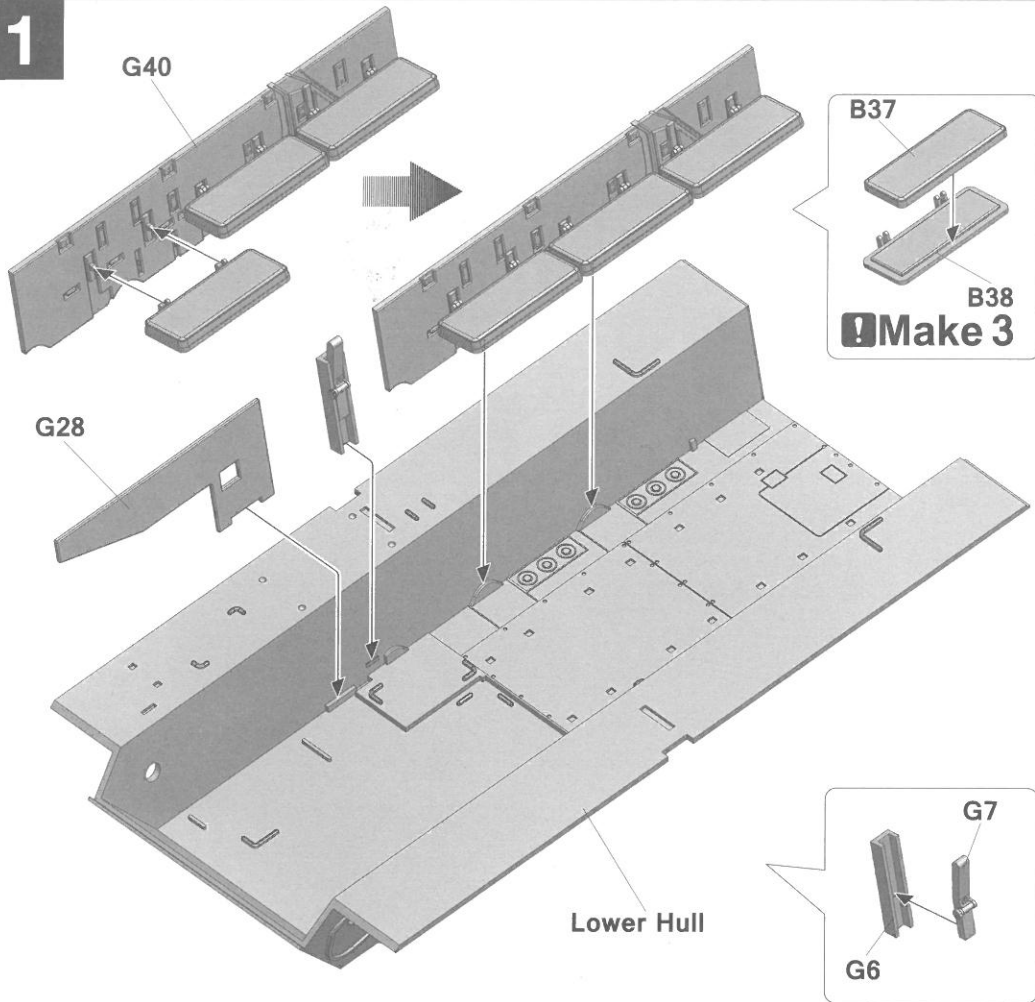
Decal



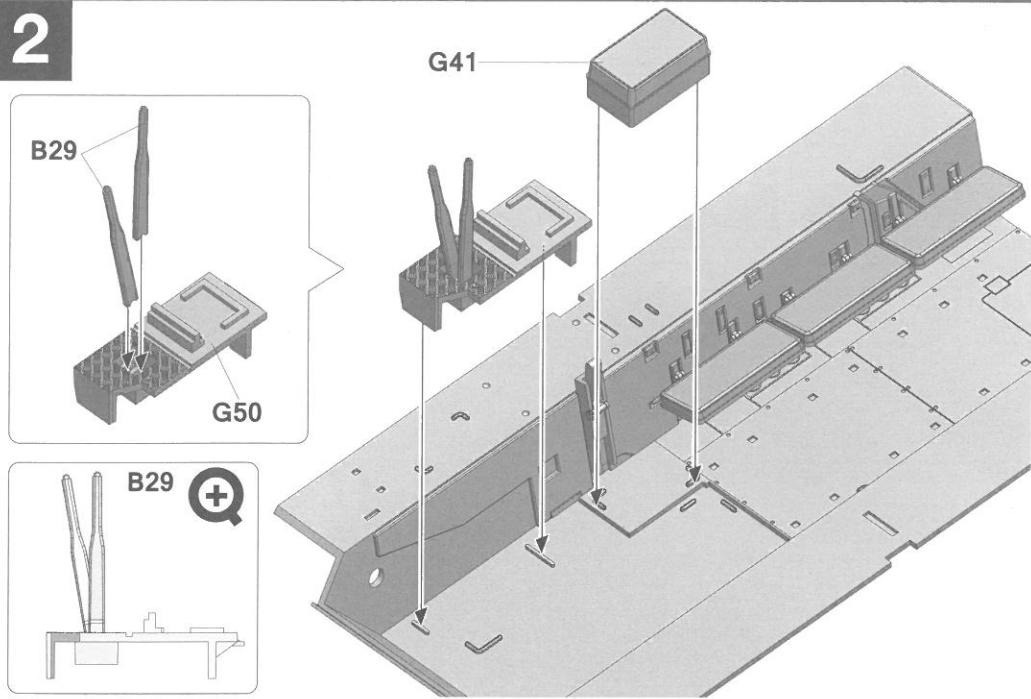
TP



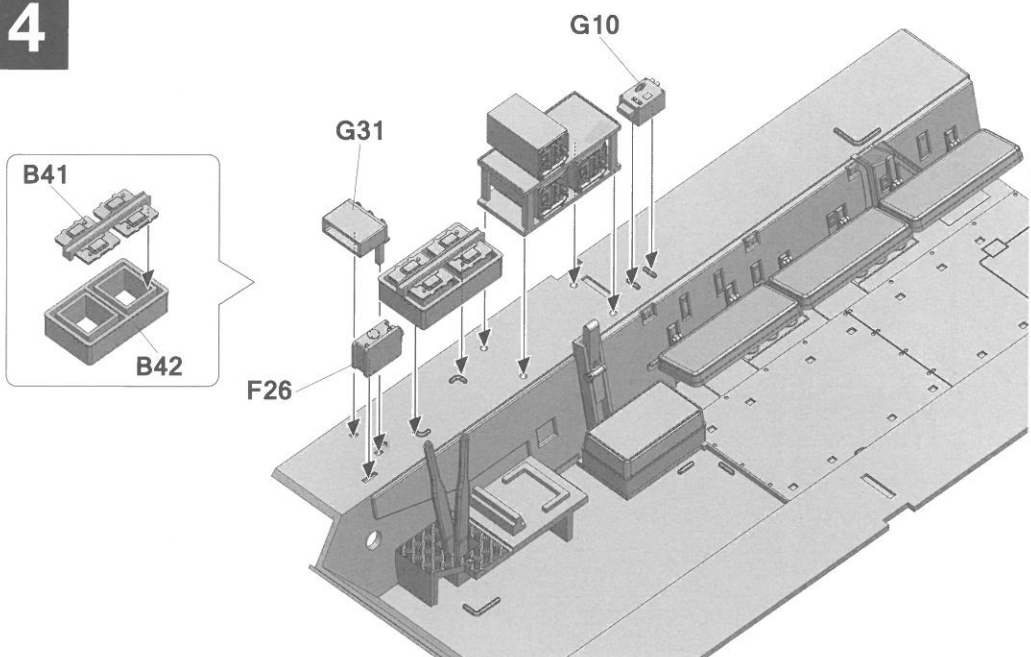
1



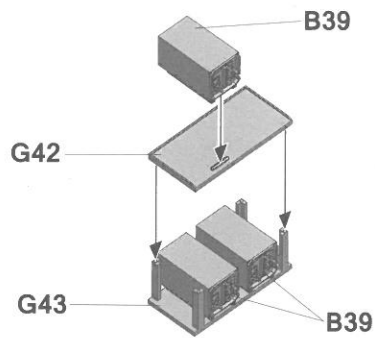
2



4

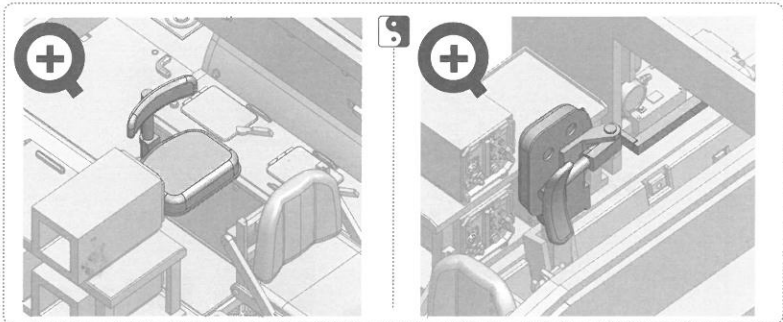
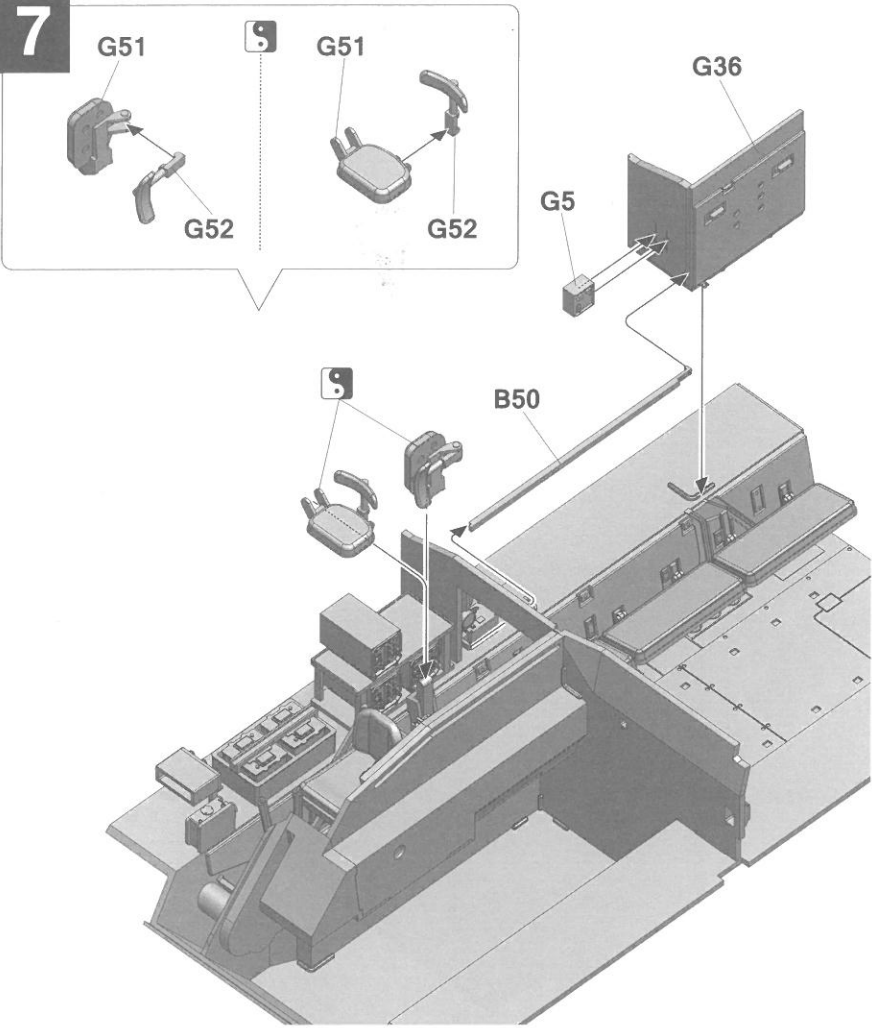


3

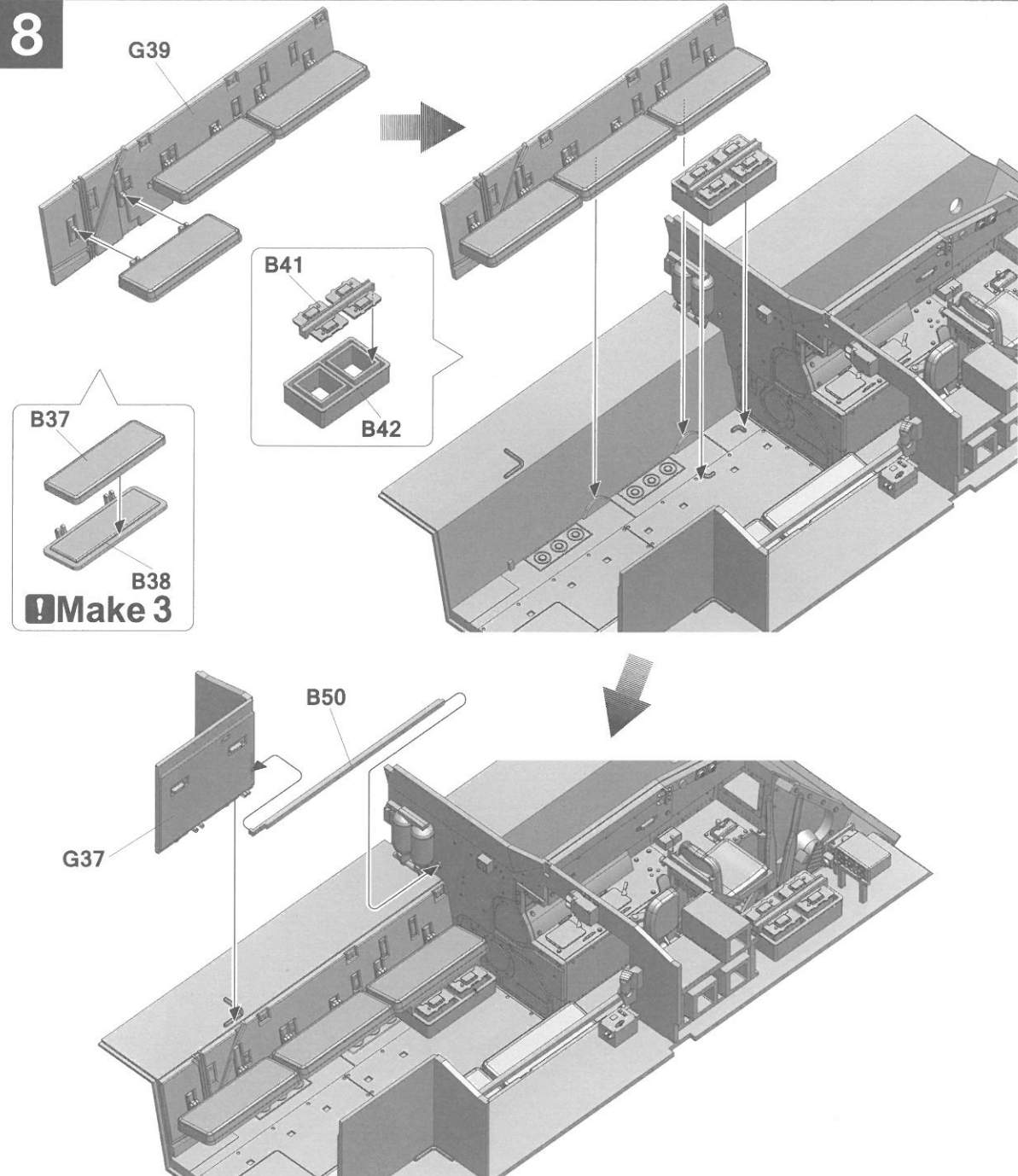




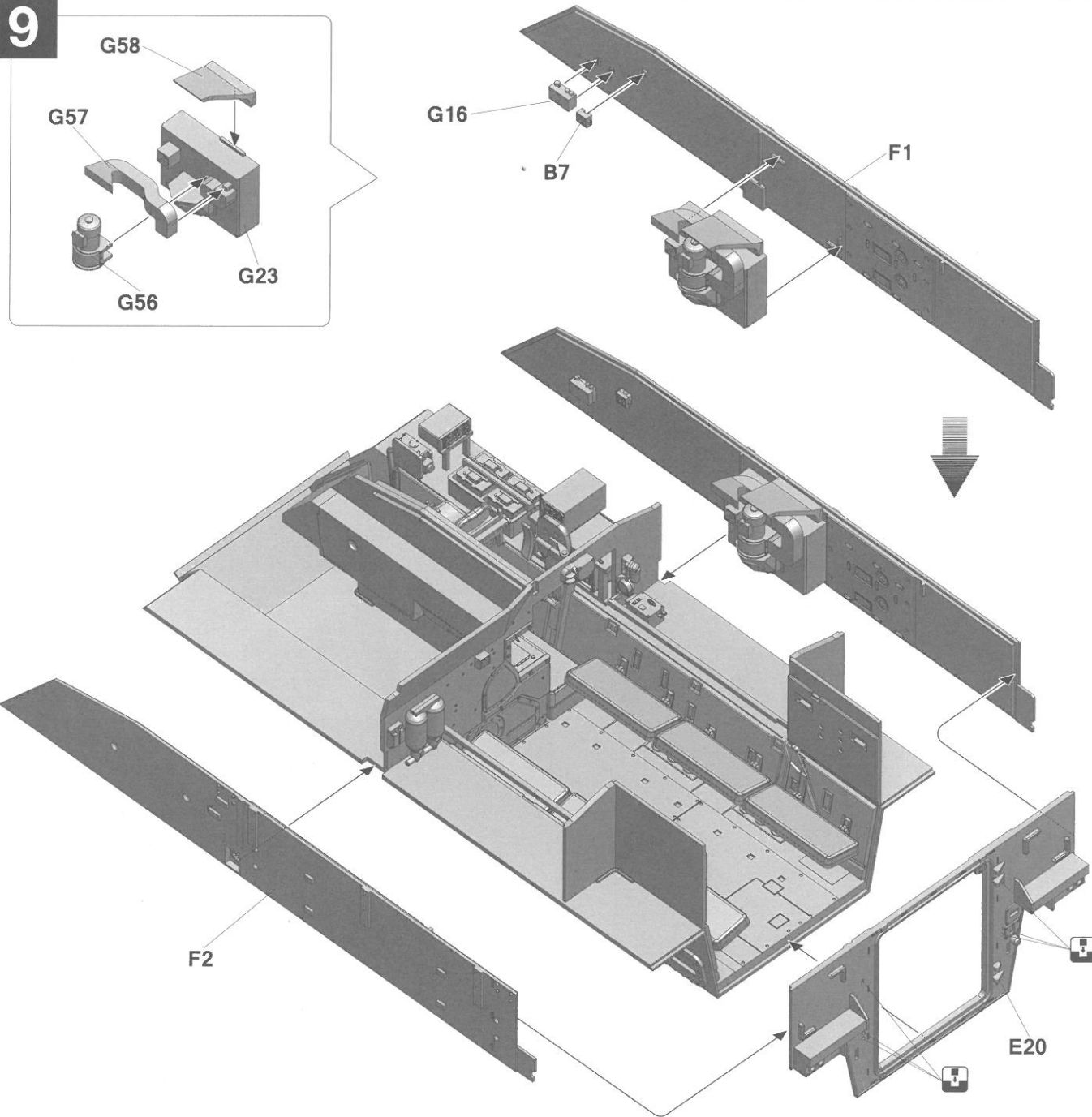
7



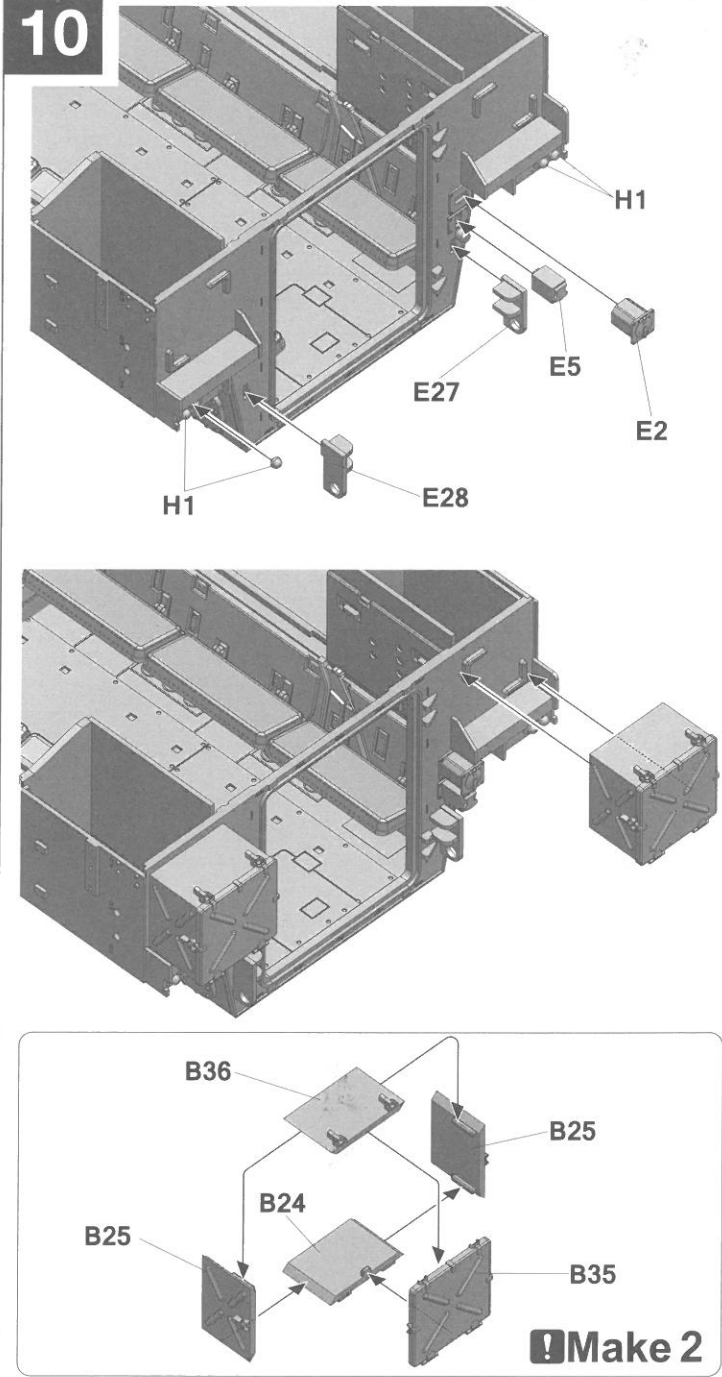
8



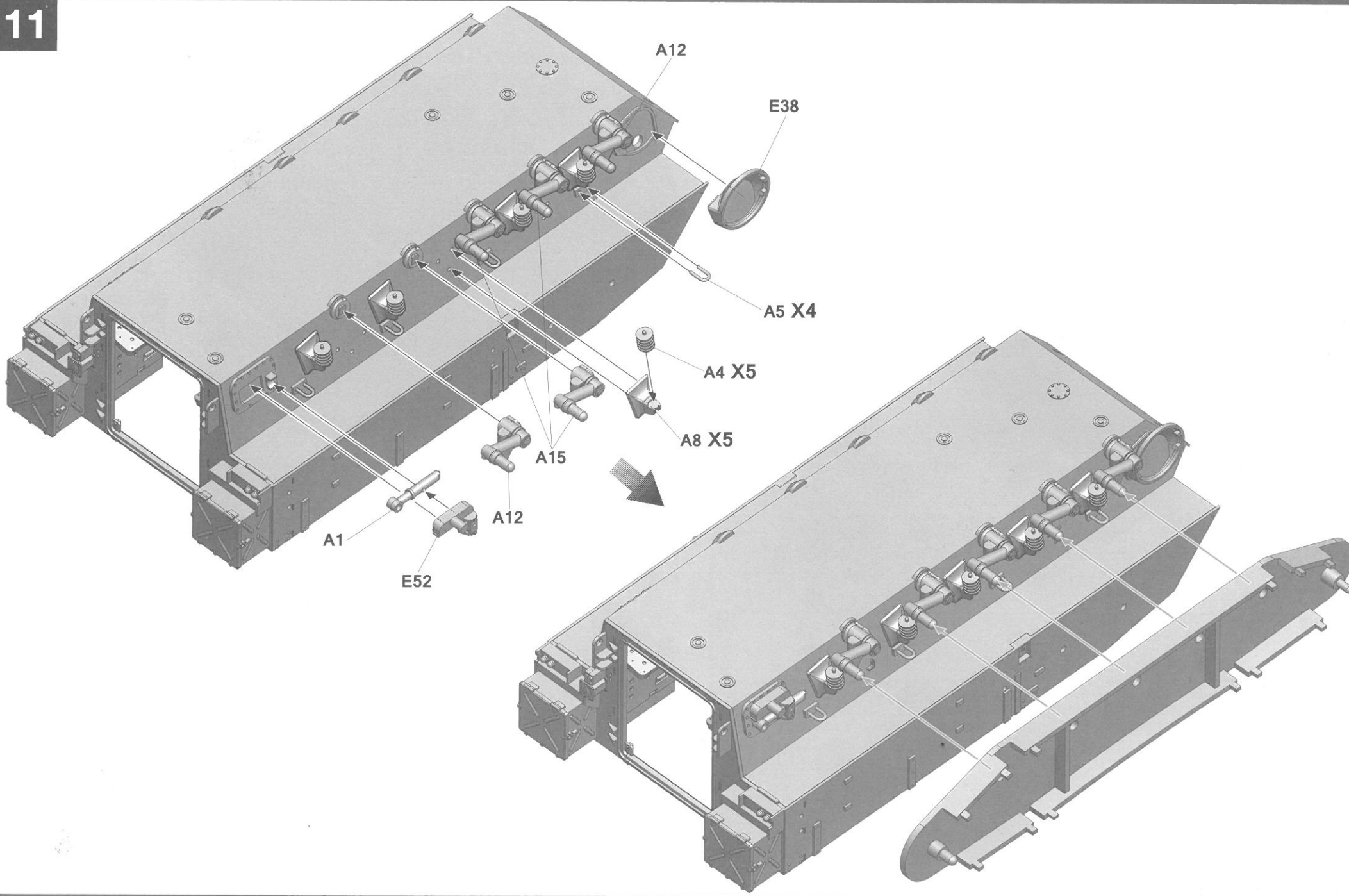
9



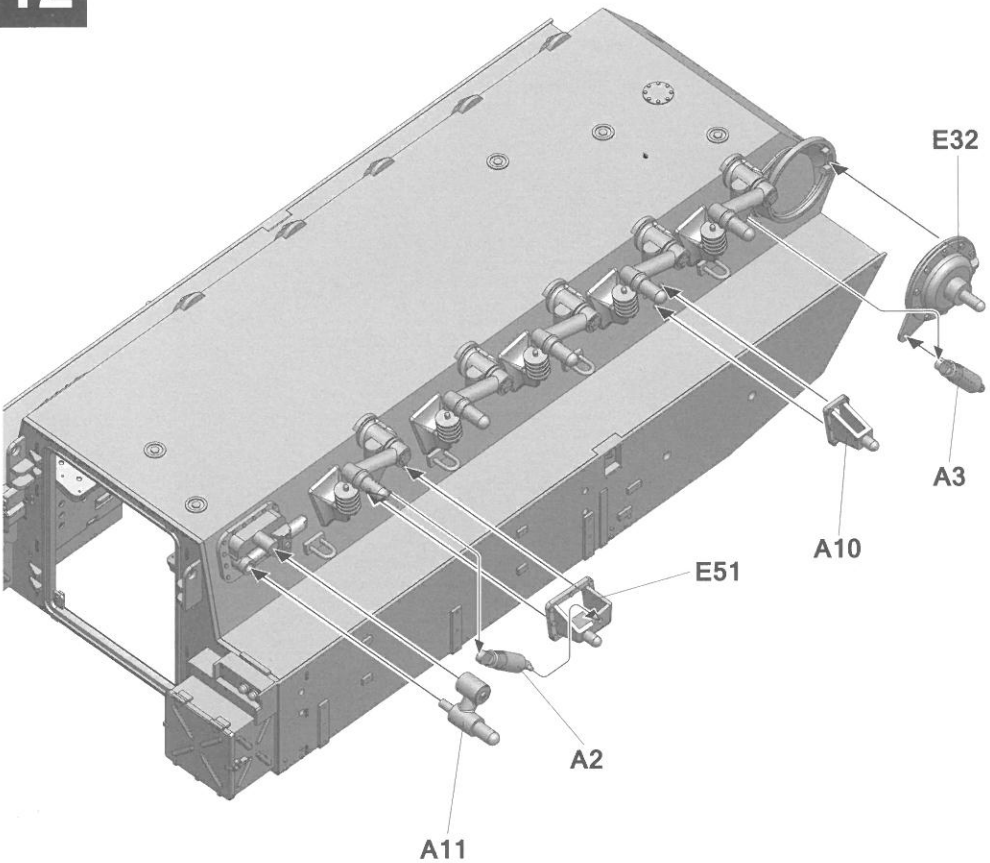
10



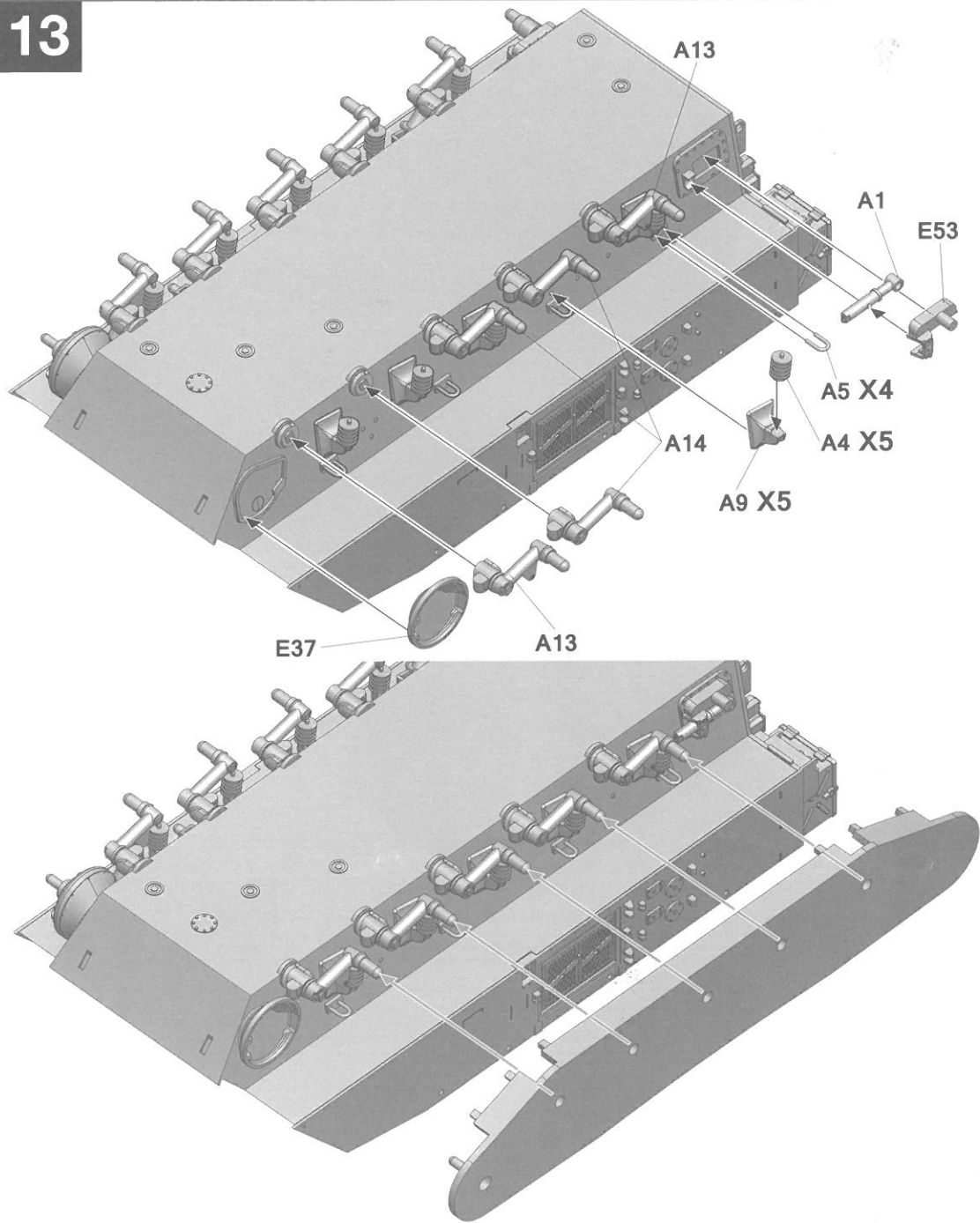




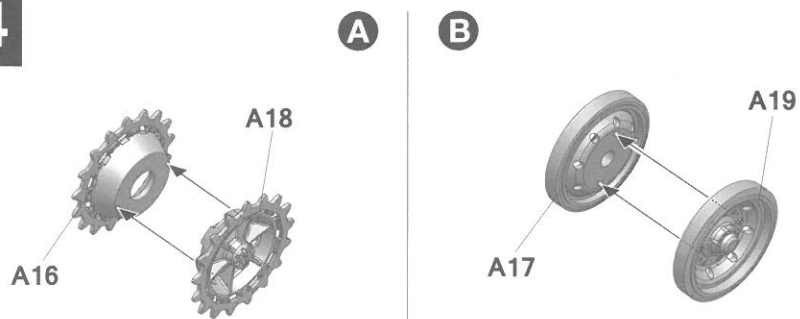
12



13



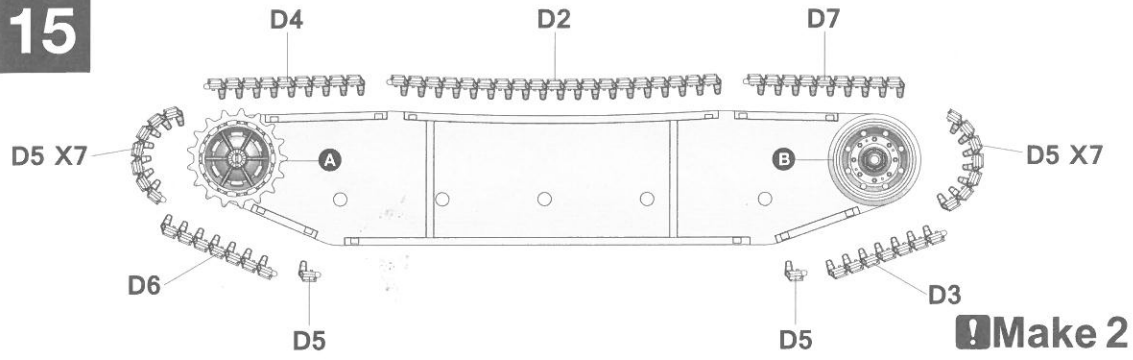
14



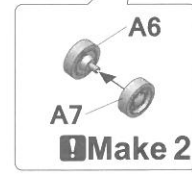
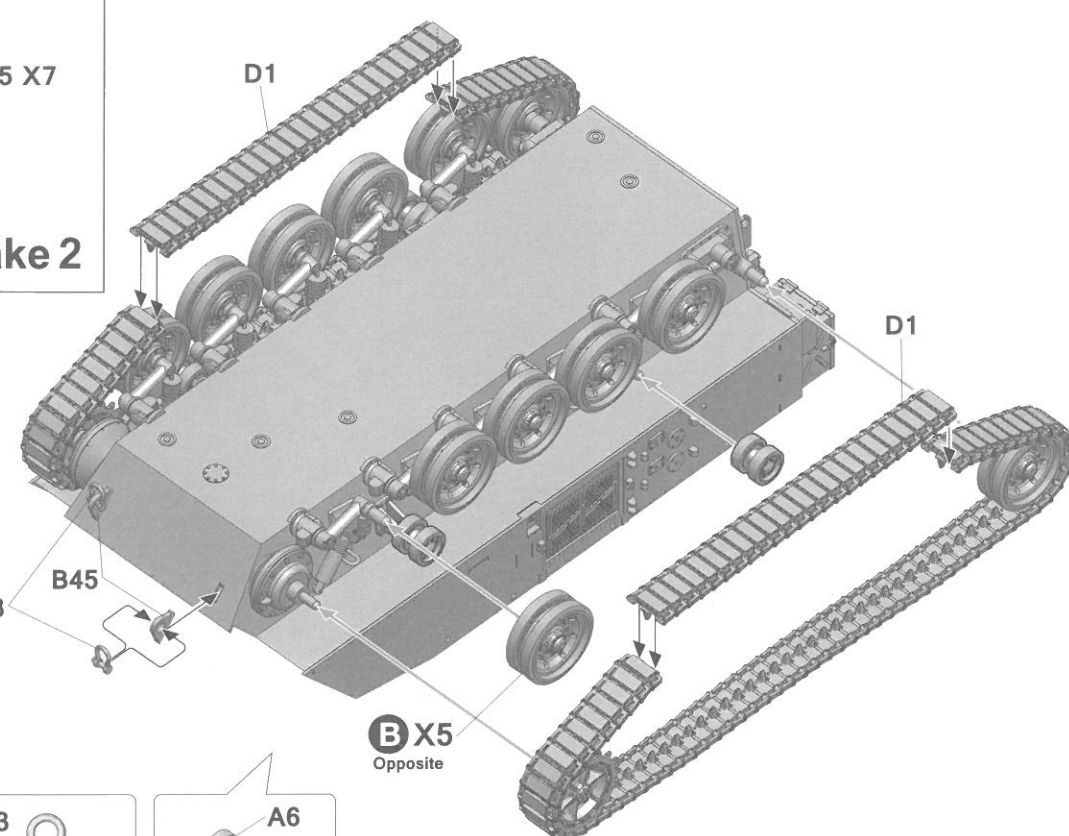
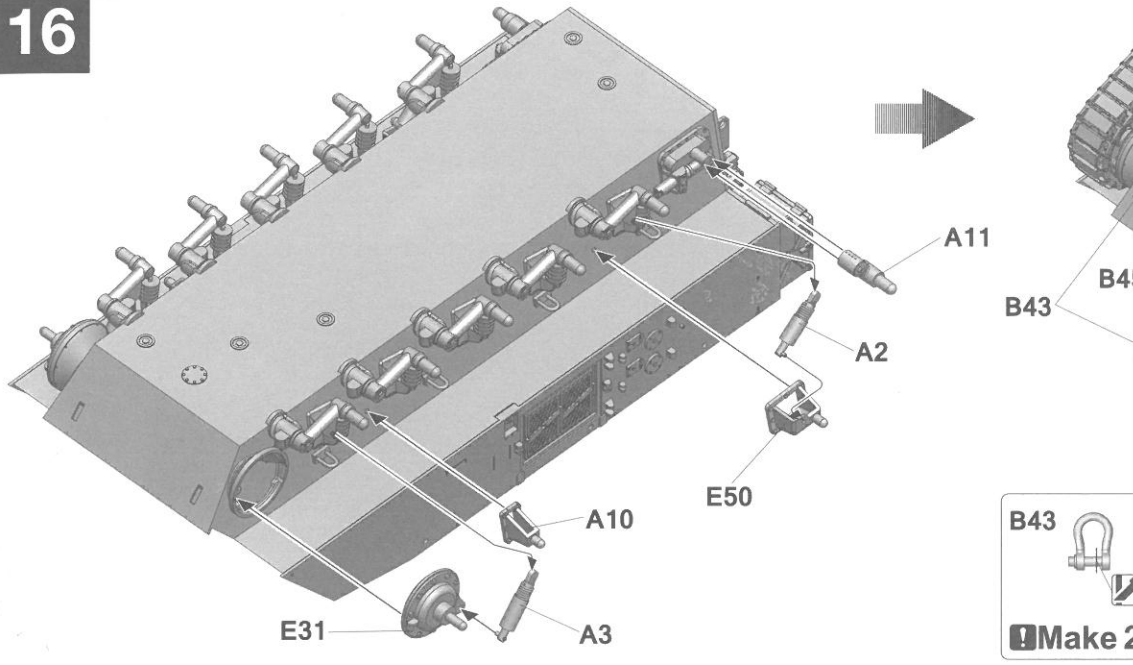
Make 2

Make 12

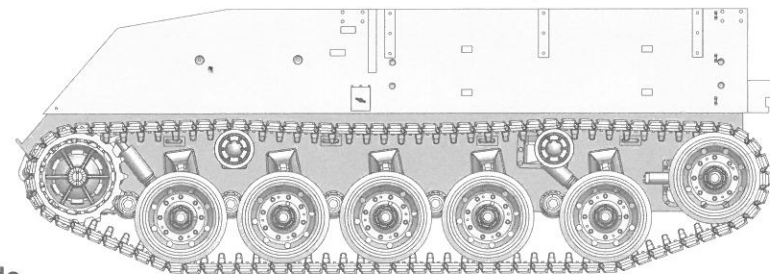
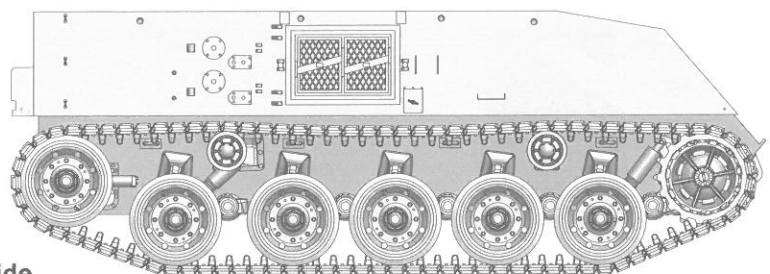
15

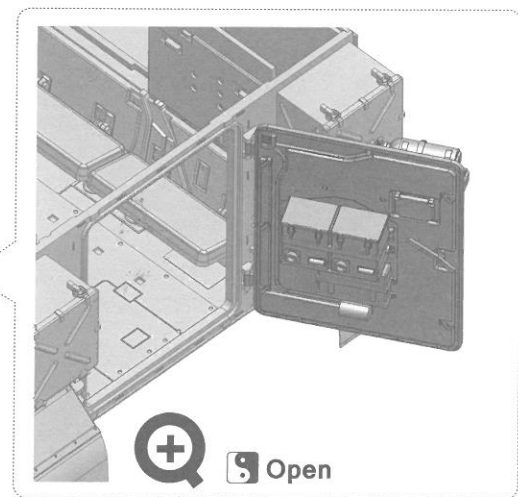
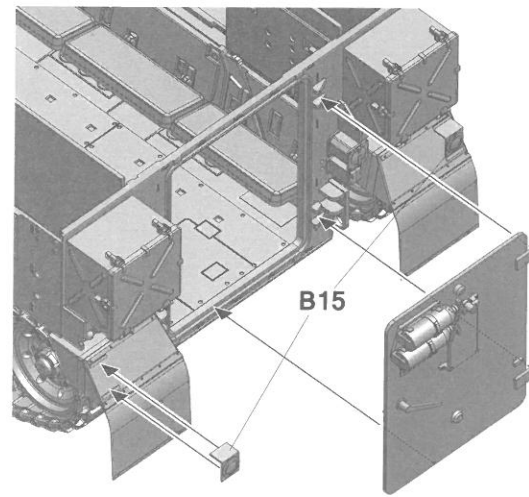
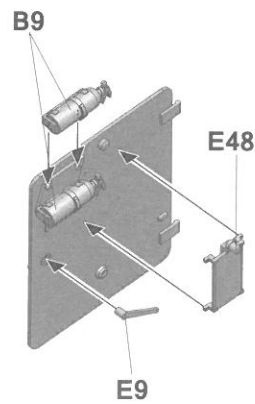
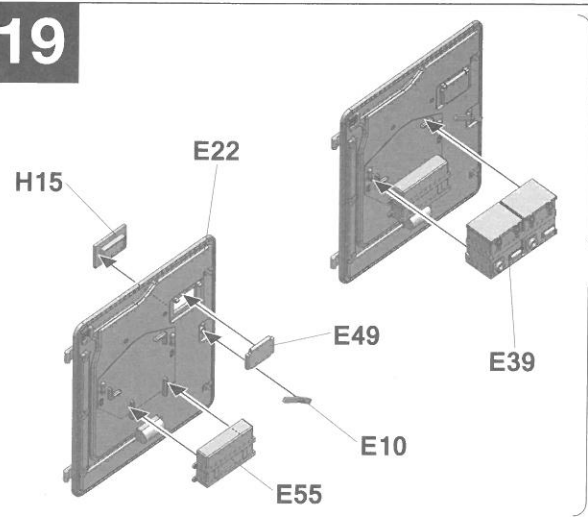
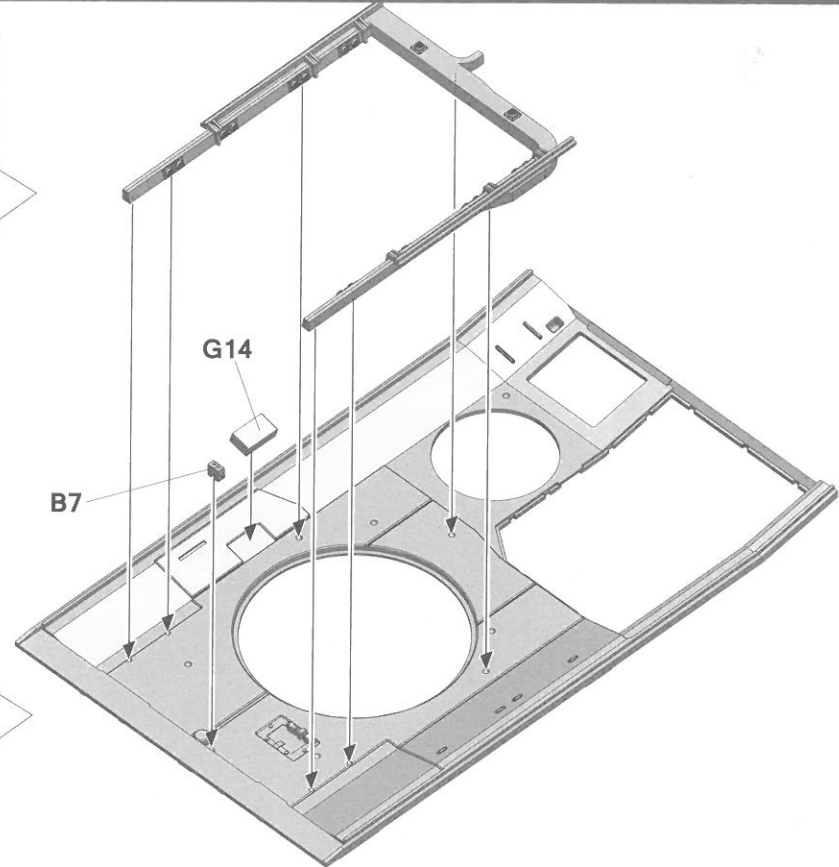
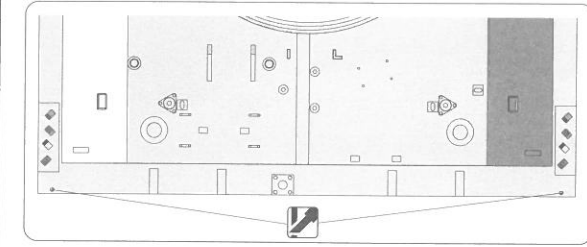
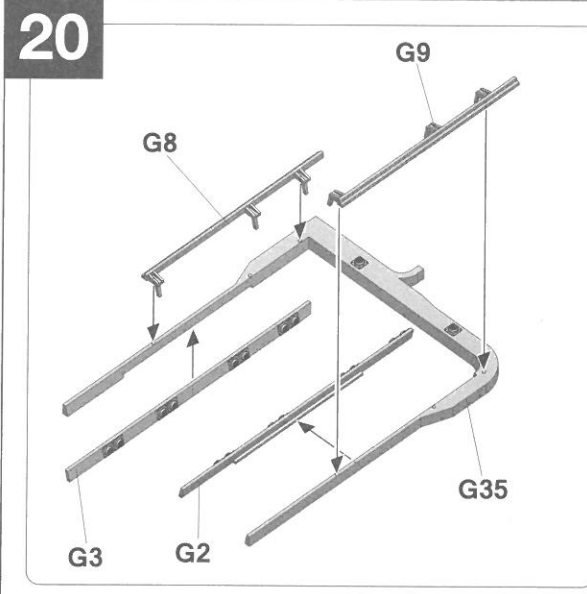
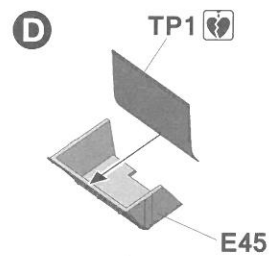
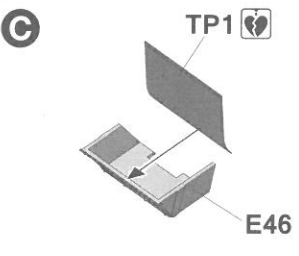
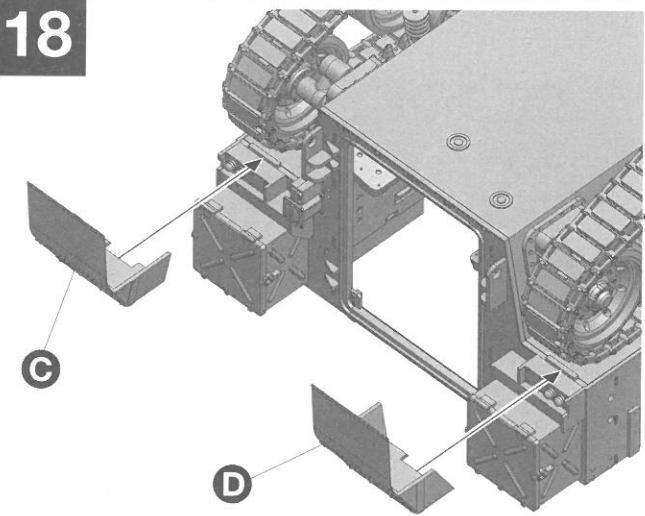


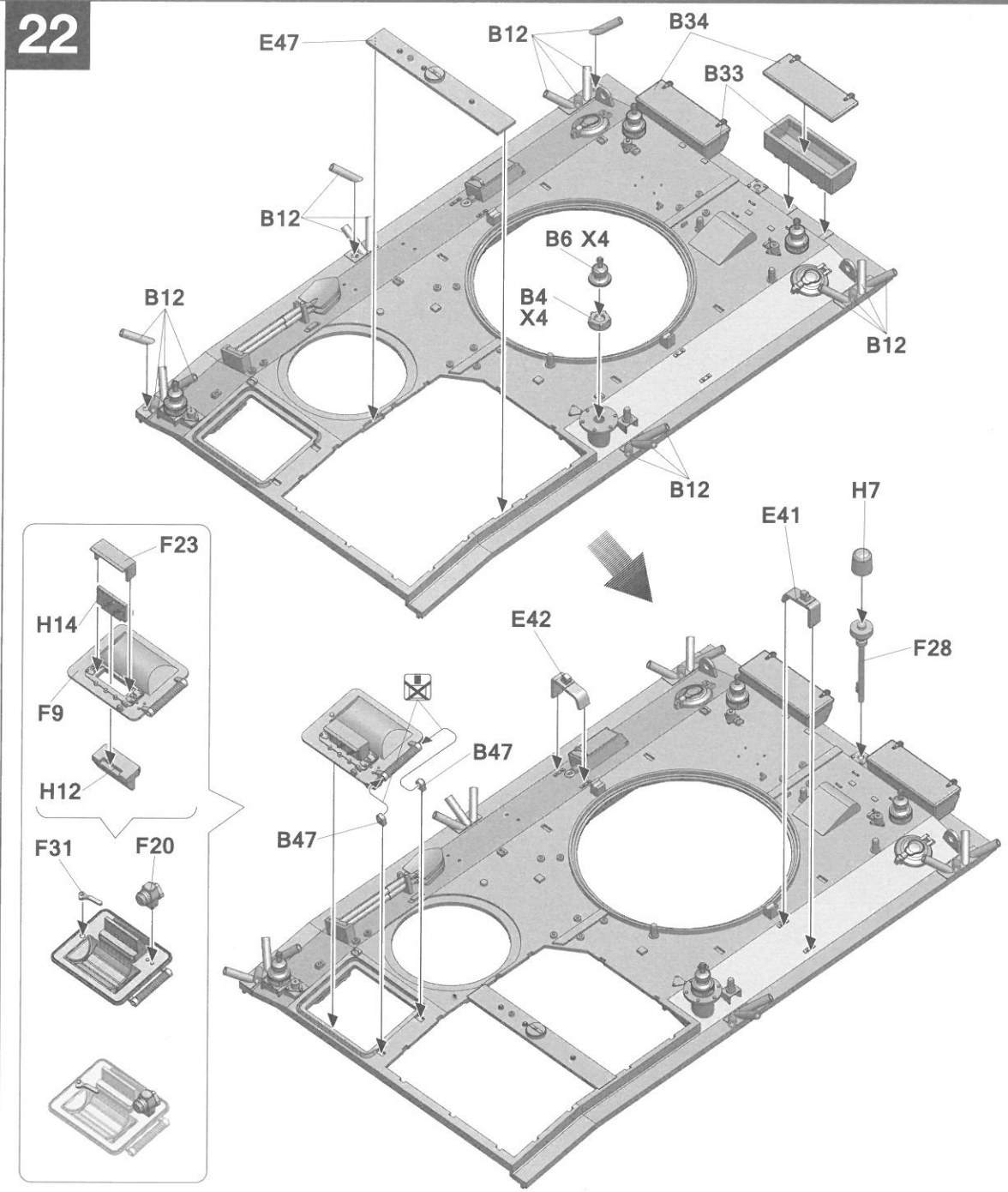
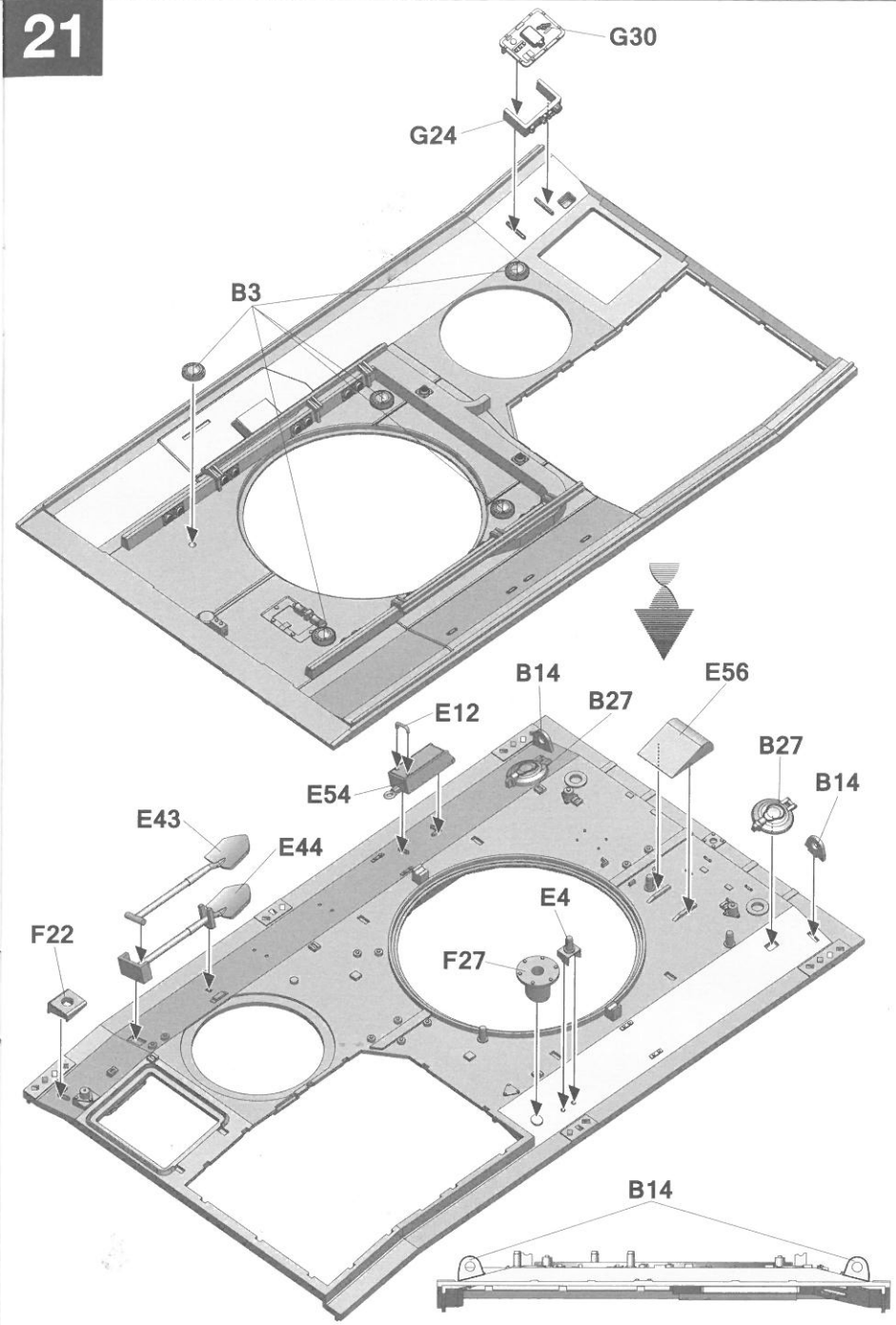
16



17

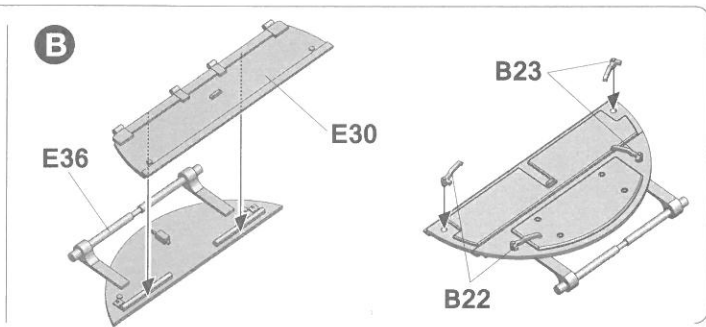
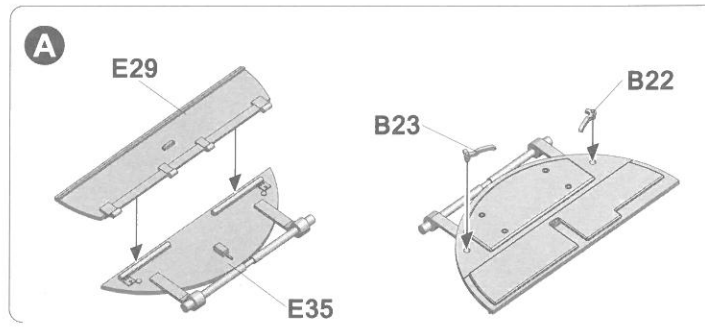
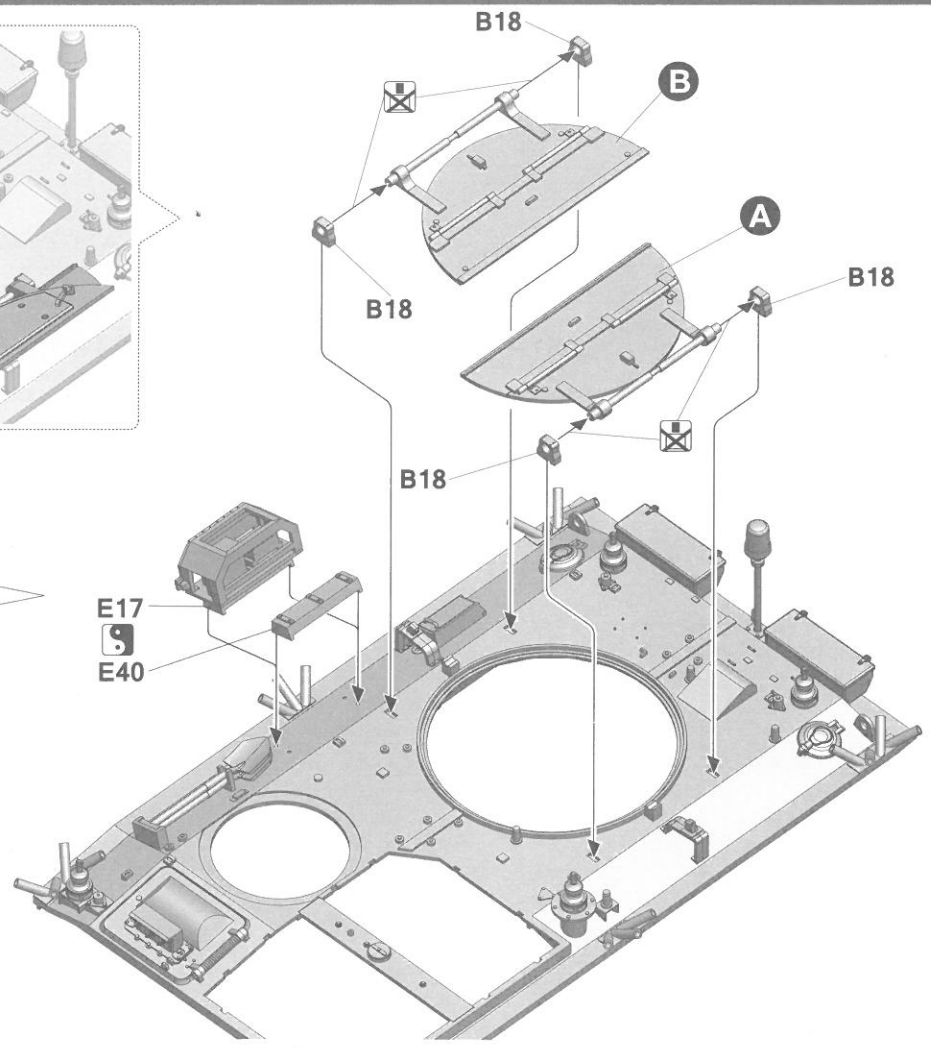
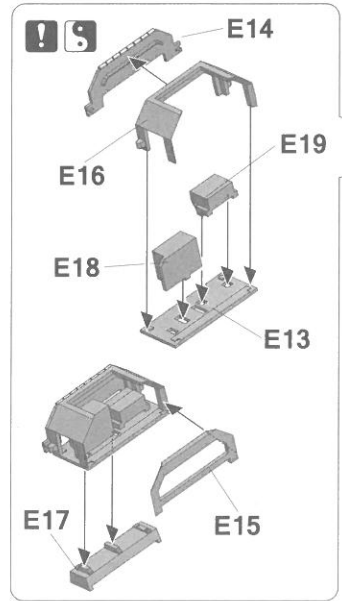
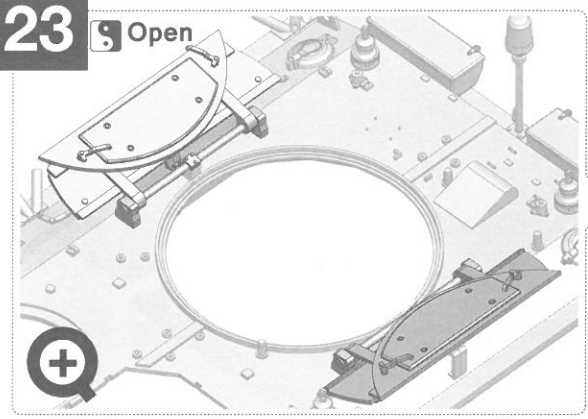




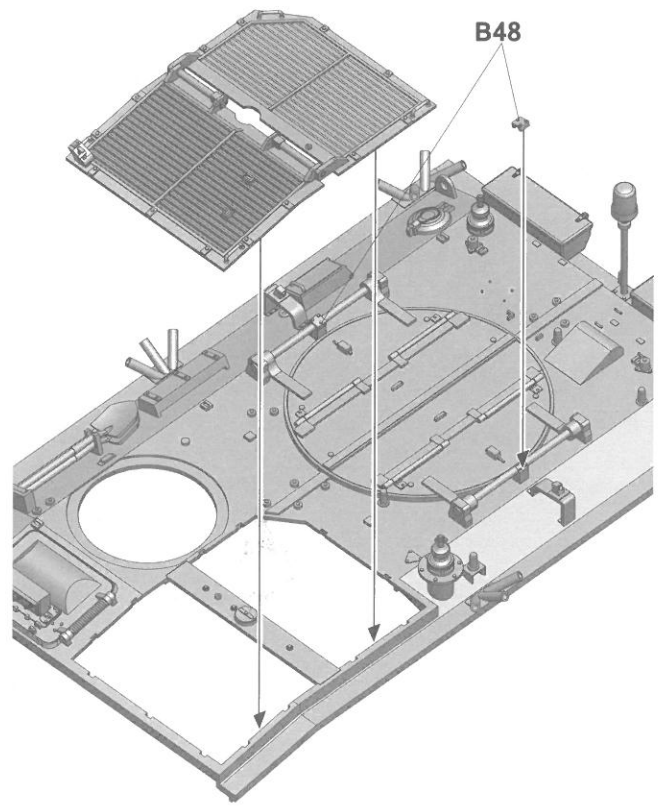
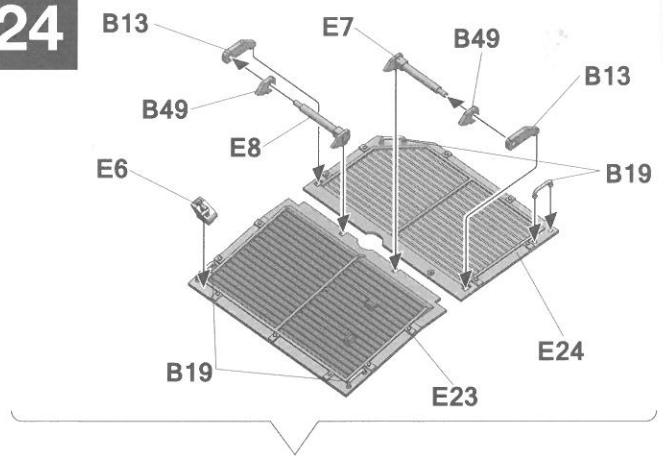


23

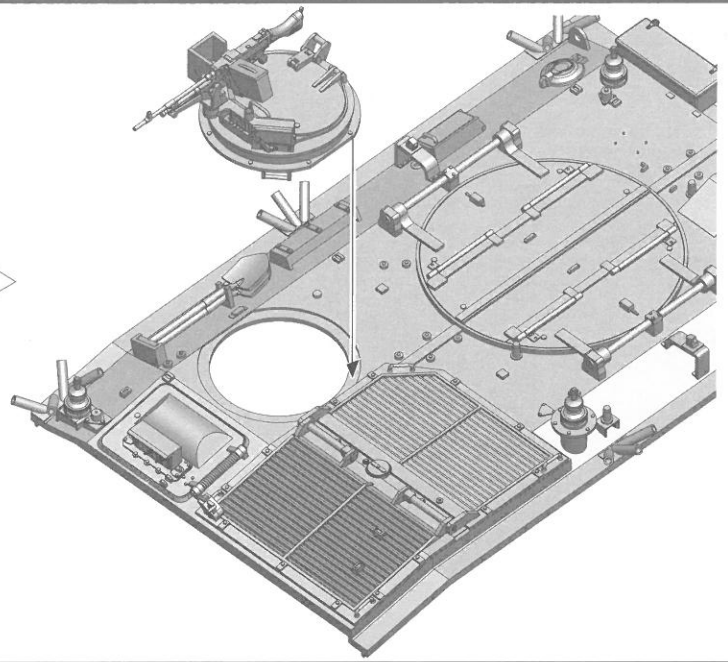
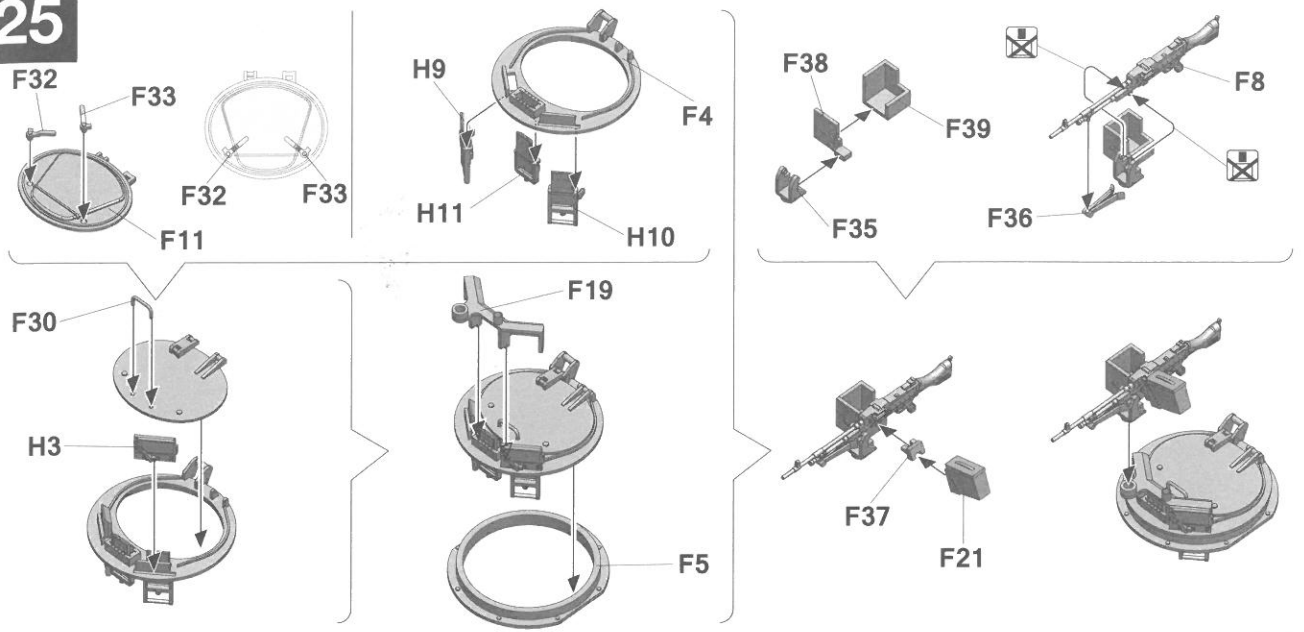
Open



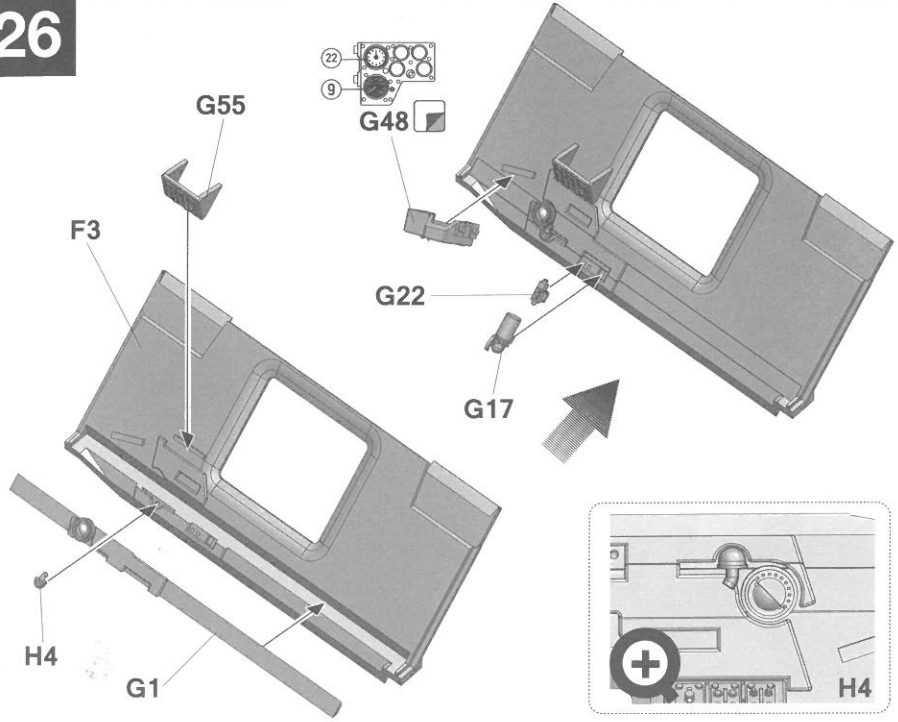
24



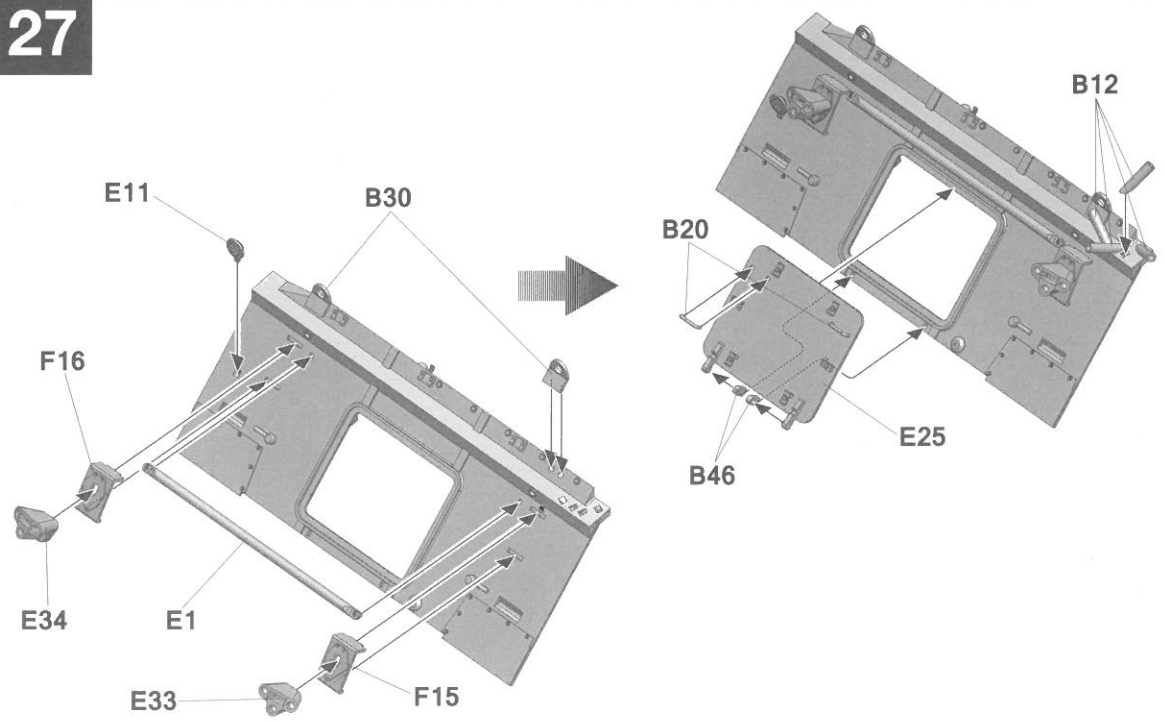
# 25



# 26

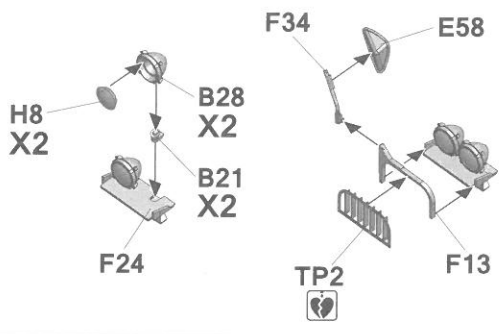
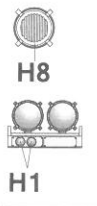


# 27

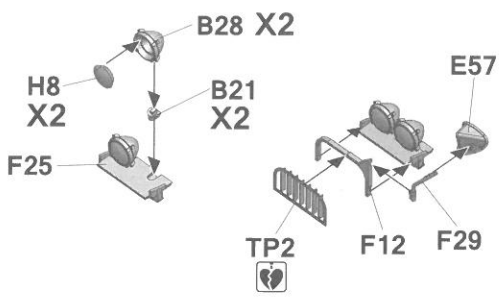


28

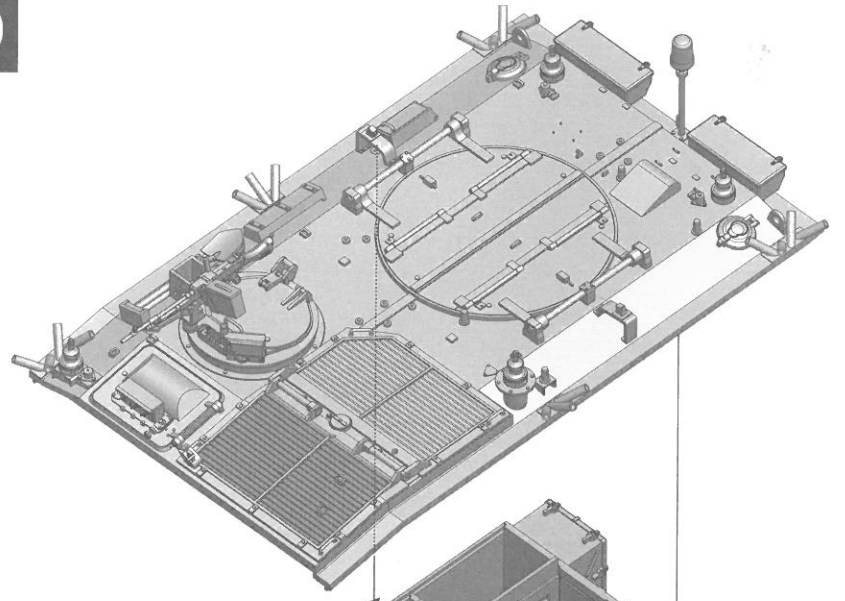
C



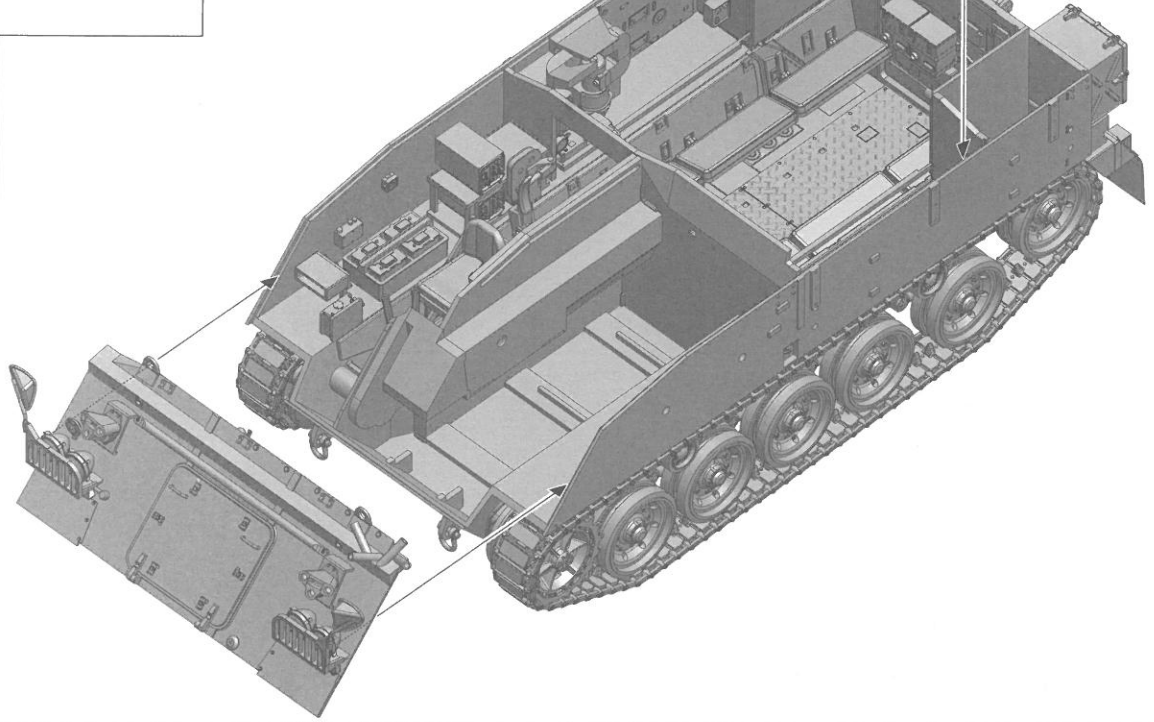
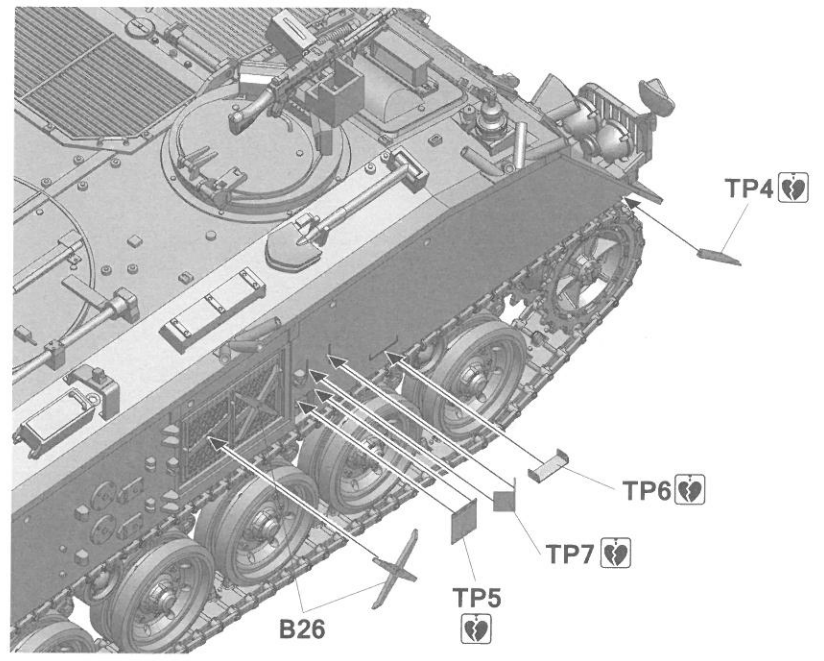
D



29

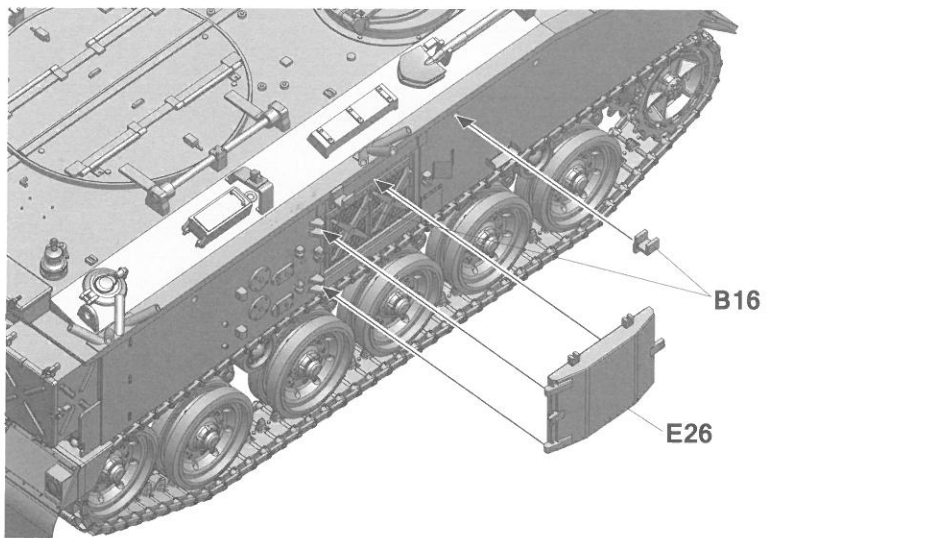


30

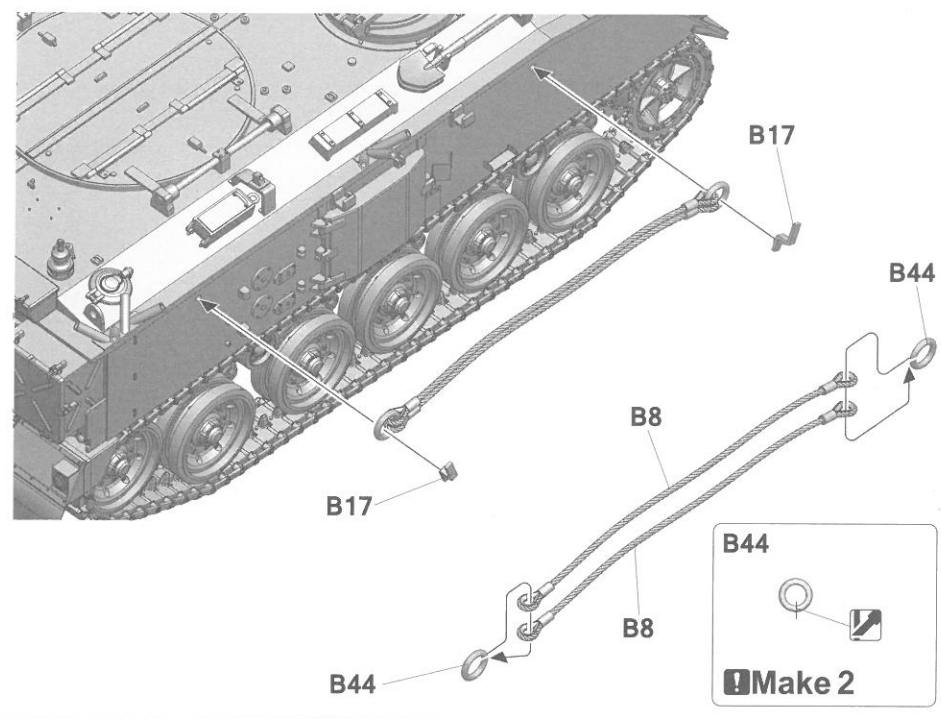




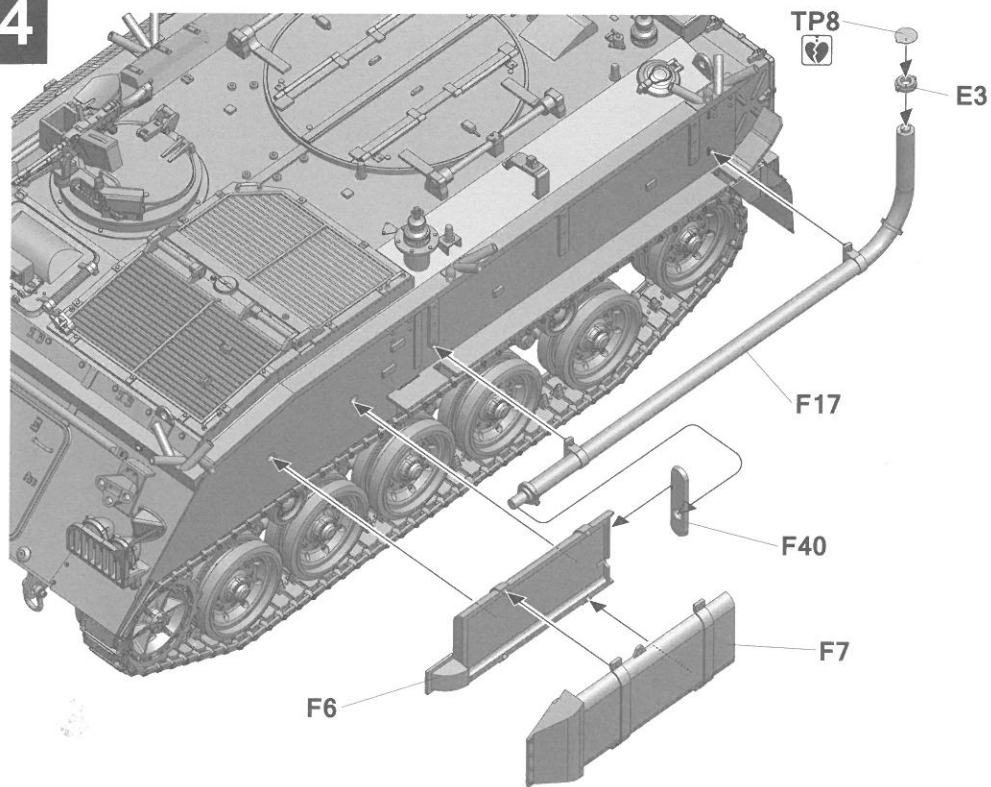
31



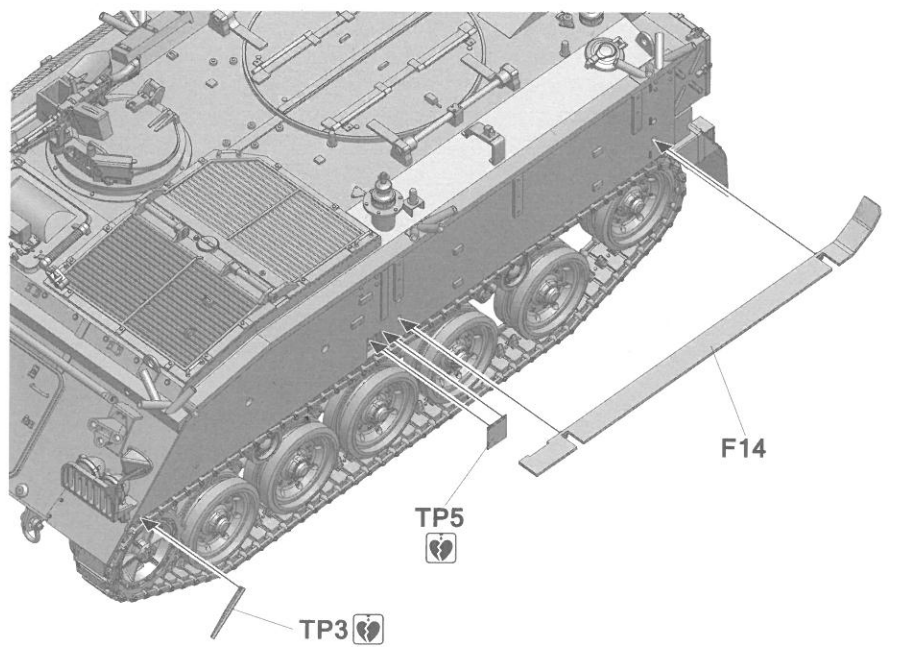
32



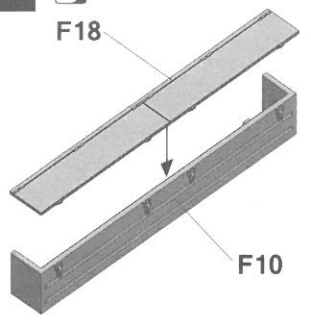
34



33

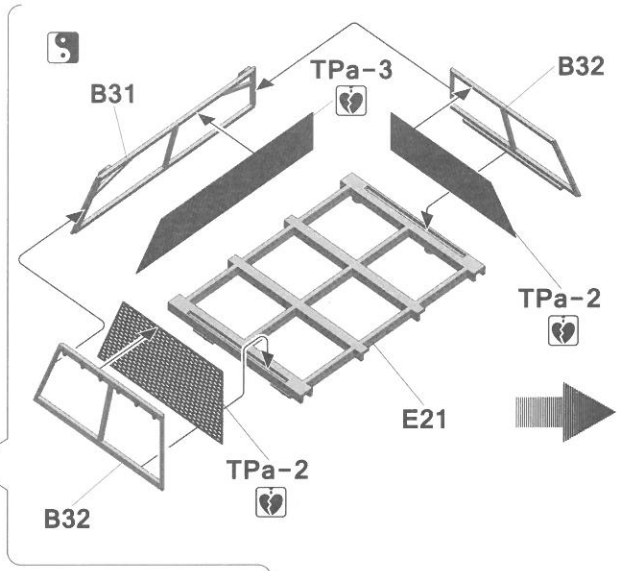
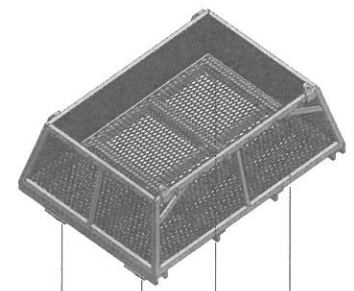


35



F18

F10



B31

TPa-3

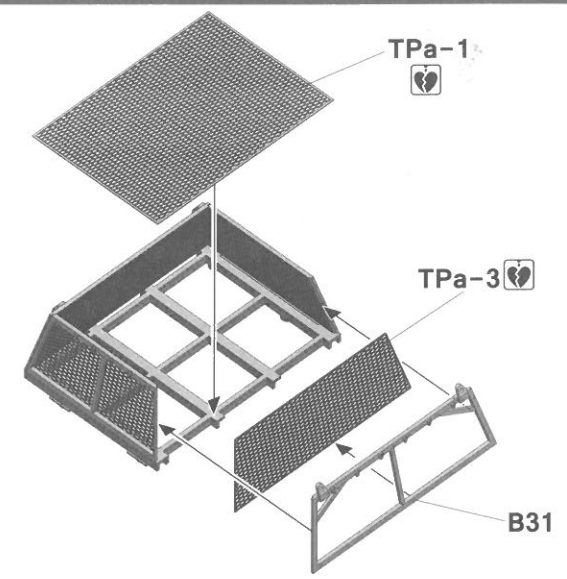
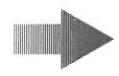
B32

B32

TPa-2

E21

TPa-2

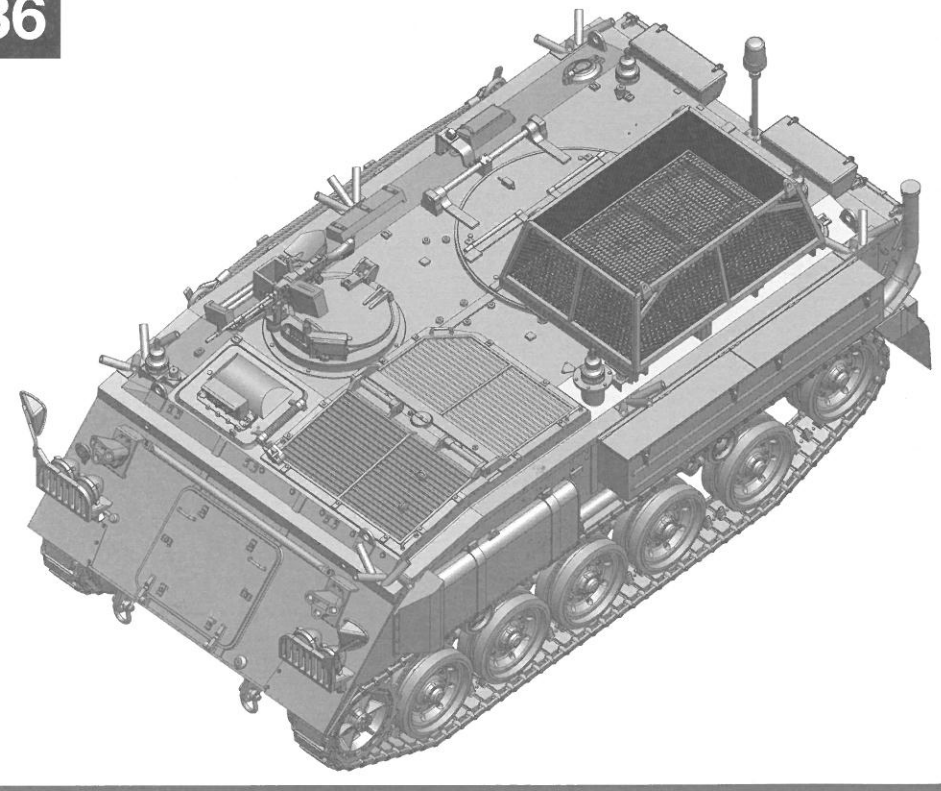
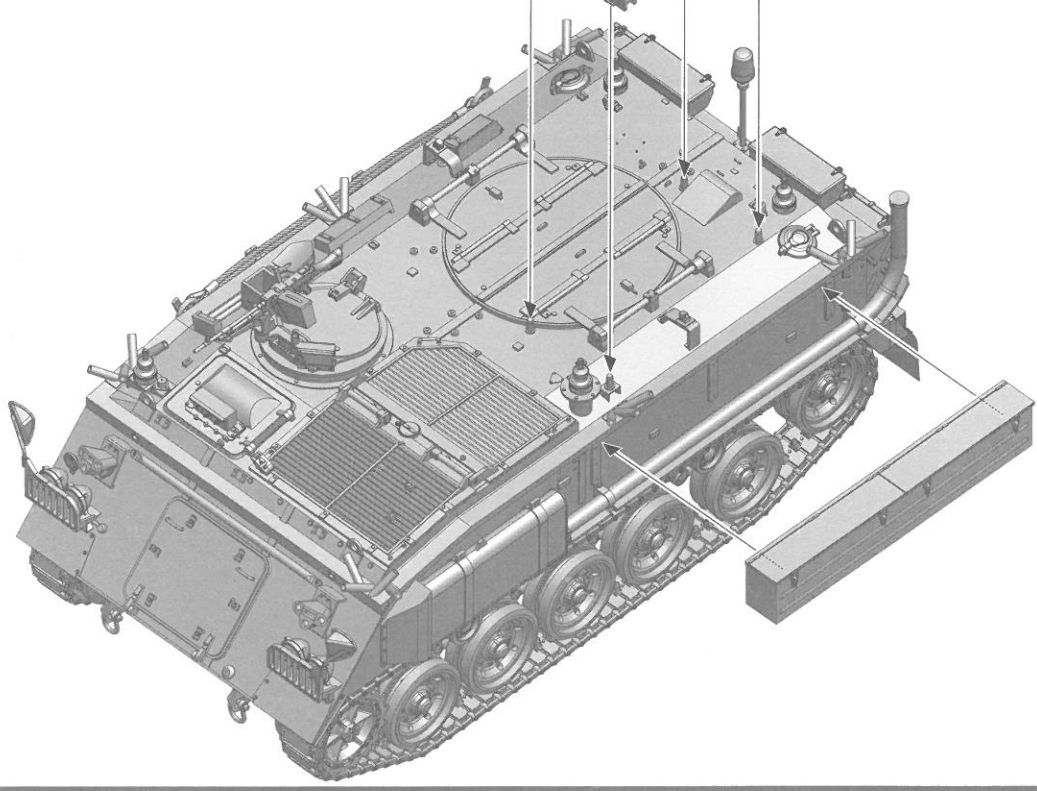


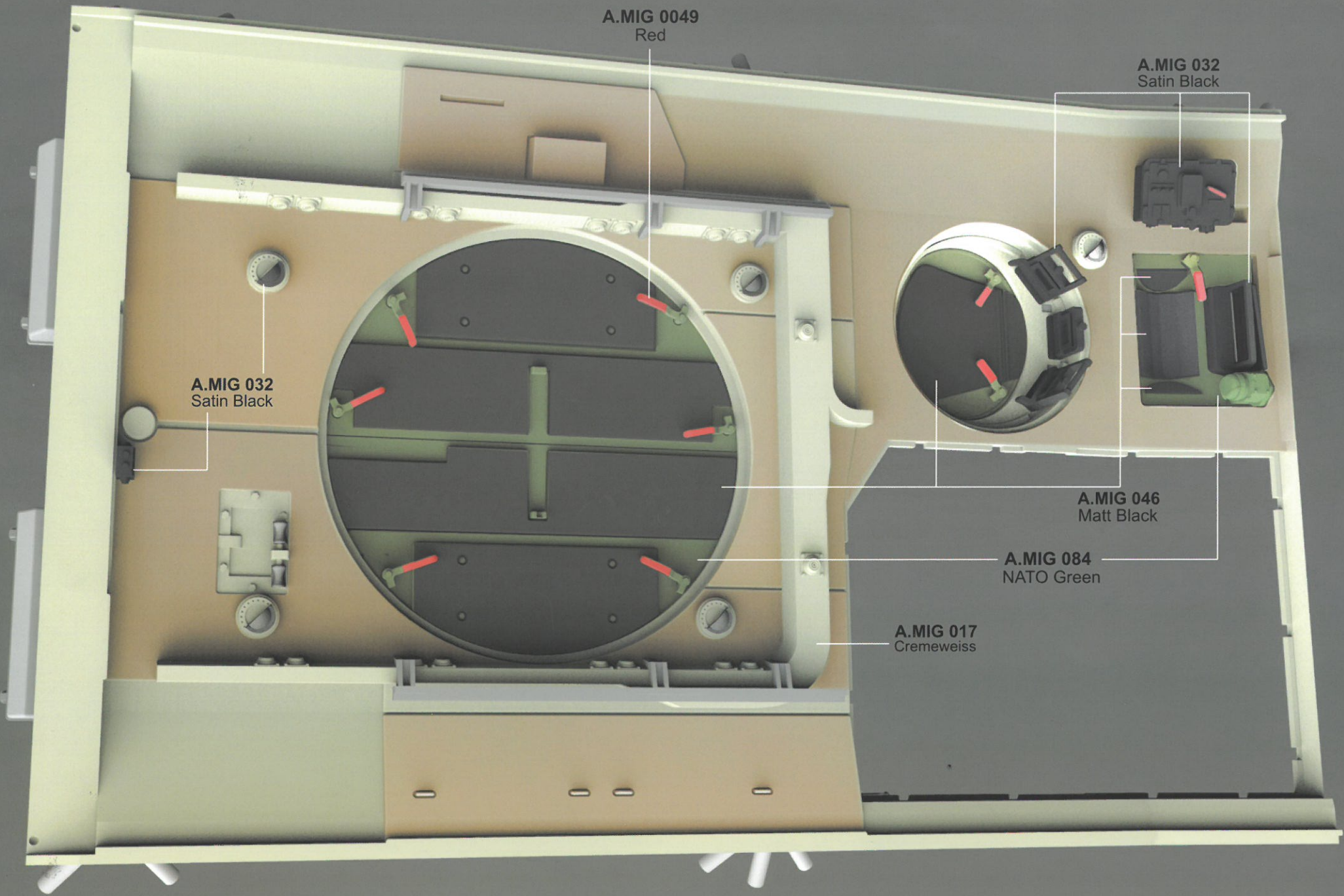
TPa-1

TPa-3

B31

36





**A.MIG 0049**  
Red

**A.MIG 032**  
Satin Black

**A.MIG 032**  
Satin Black

**A.MIG 046**  
Matt Black

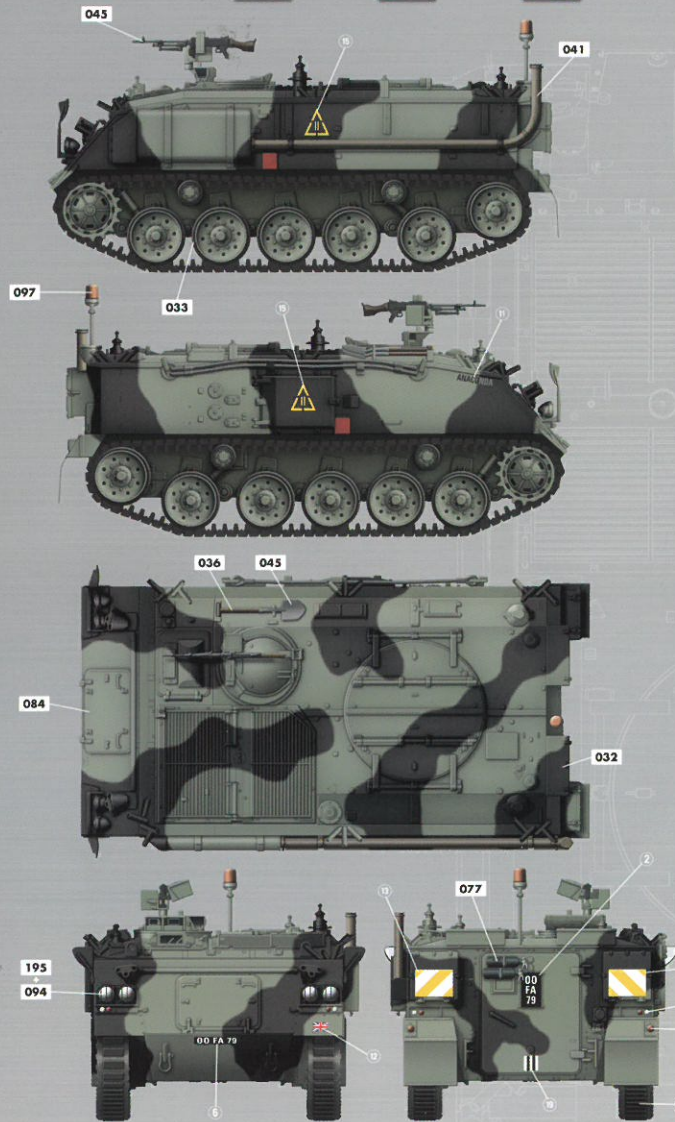
**A.MIG 084**  
NATO Green

**A.MIG 017**  
Cremeweiss

## Painting and Marking Guide

- A.MIG 033 Rubber & Tires
- A.MIG 036 Old Wood
- A.MIG 041 Dark Rust
- A.MIG 045 Gun Metal
- A.MIG 077 Dull Green
- A.MIG 093 Crystal Red
- A.MIG 094 Crystal Glass
- A.MIG 097 Crystal Orange
- A.MIG 195 Silver
- A.MIG 032 Satin Black
- A.MIG 084 NATO Green

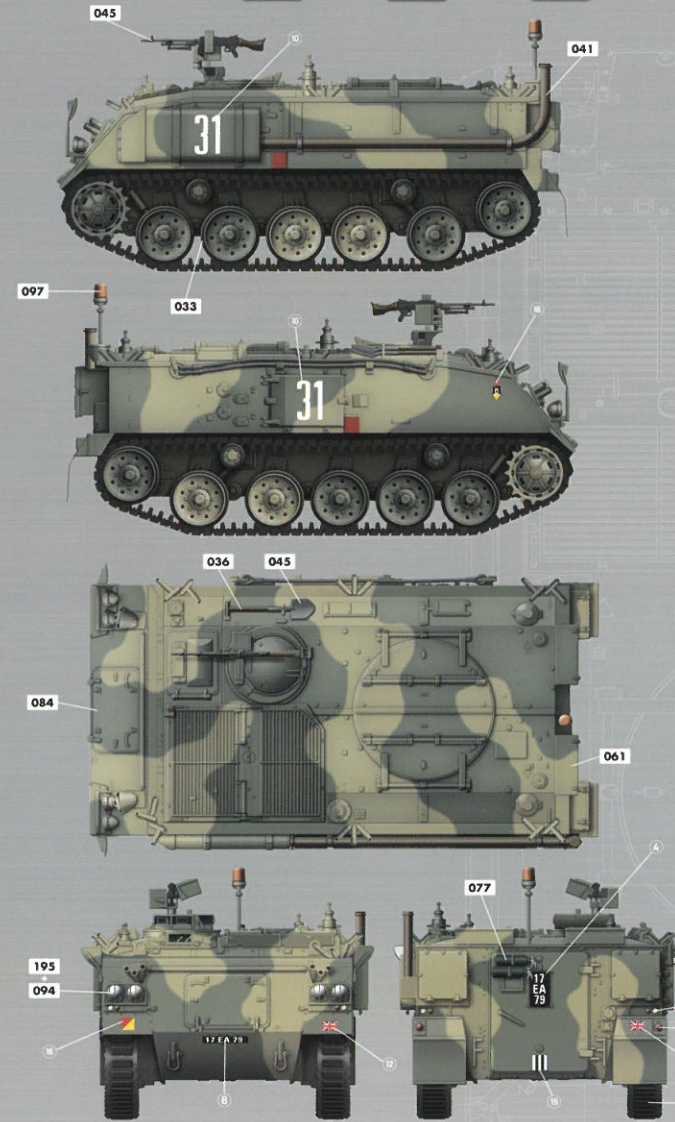
Unknown unit.

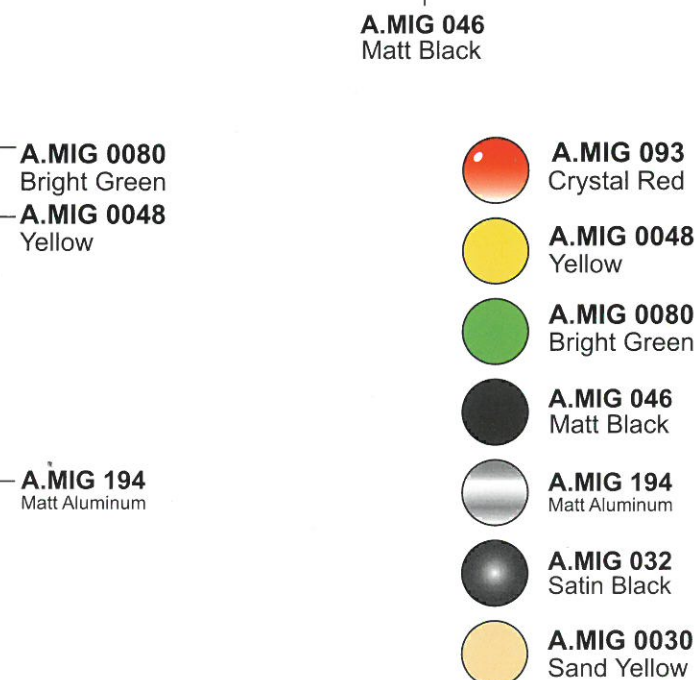
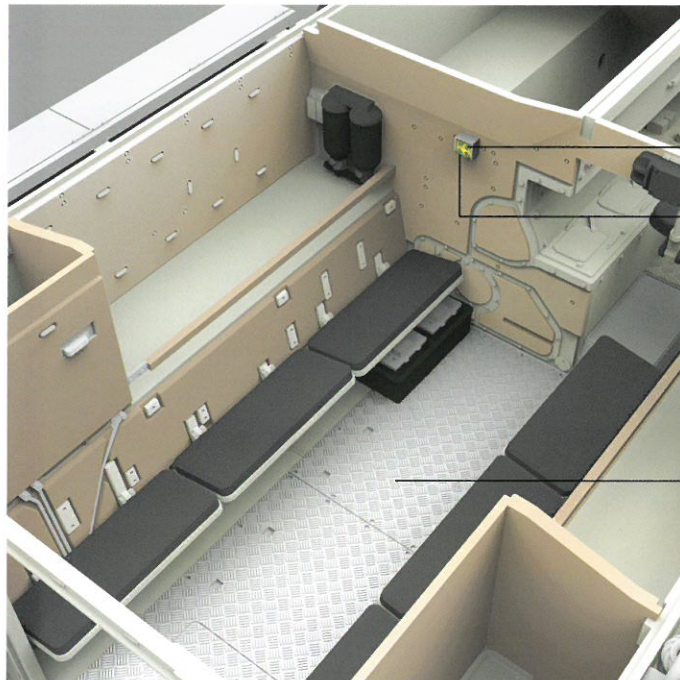
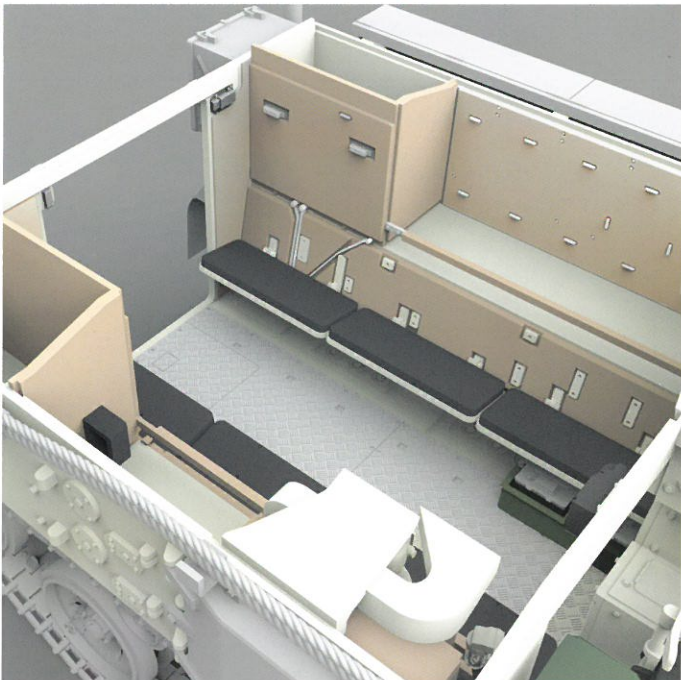
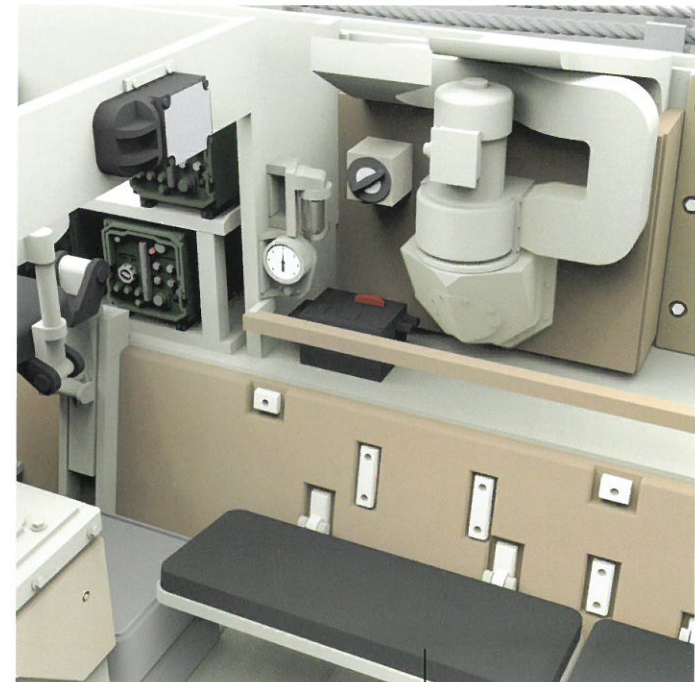
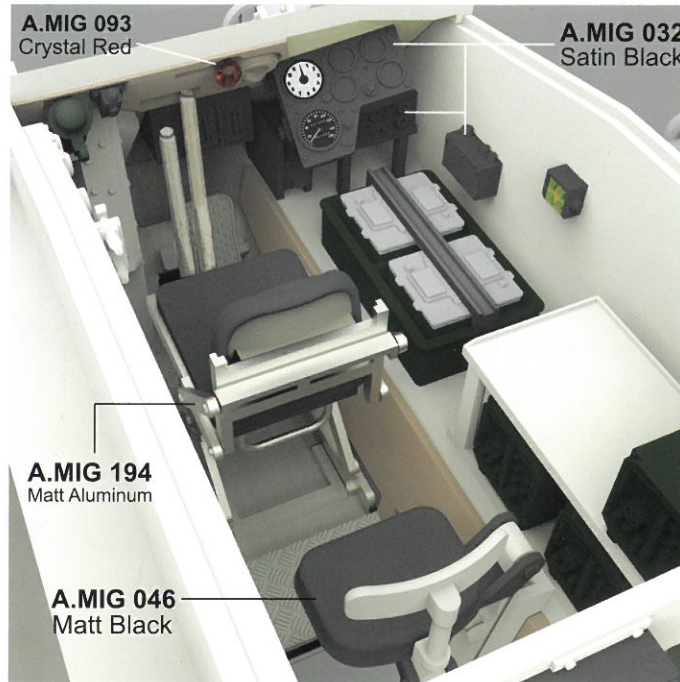
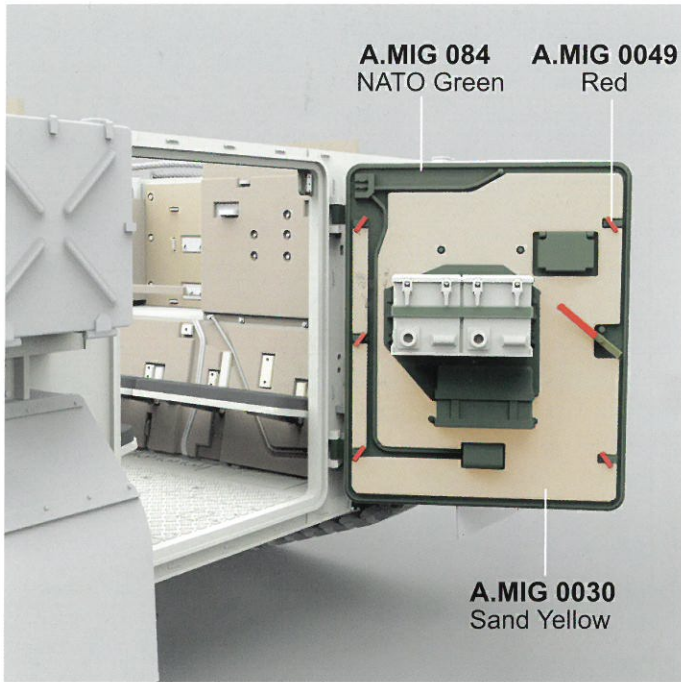


## Painting and Marking Guide

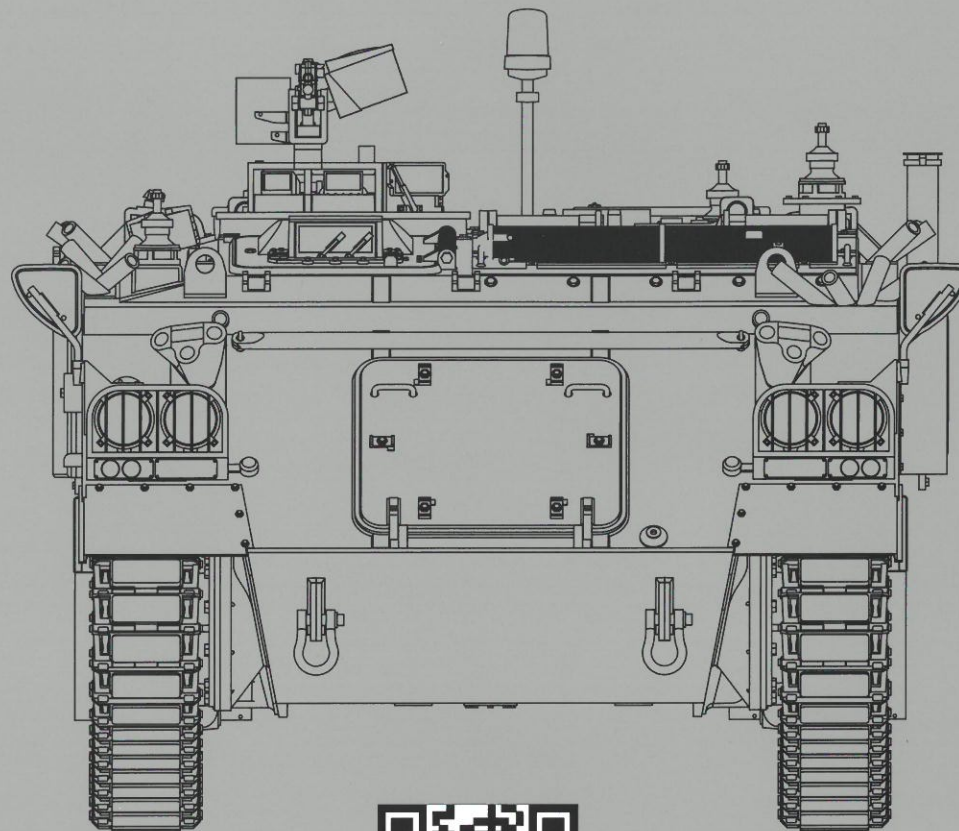
- A.MIG 033 Rubber & Tires
- A.MIG 036 Old Wood
- A.MIG 041 Dark Rust
- A.MIG 045 Gun Metal
- A.MIG 077 Dull Green
- A.MIG 093 Crystal Red
- A.MIG 094 Crystal Glass
- A.MIG 097 Crystal Orange
- A.MIG 195 Silver
- A.MIG 061 Warm Sand-Yellow
- A.MIG 084 NATO Green

OPFOR.





2017/2066



You can find TAKOM on Facebook.com

