

Cement and paints not included. Use polystyrene cement, obtainable from local model shops.

Study the plans and parts before attempting assembly.

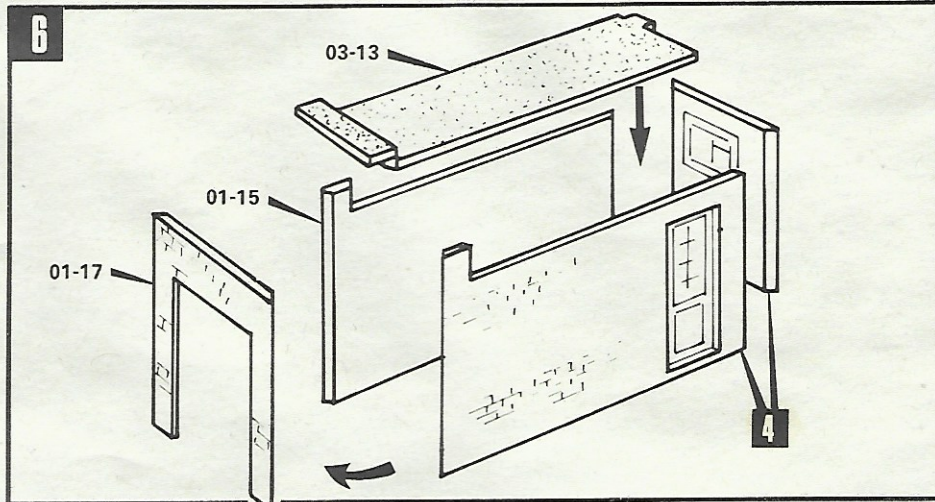
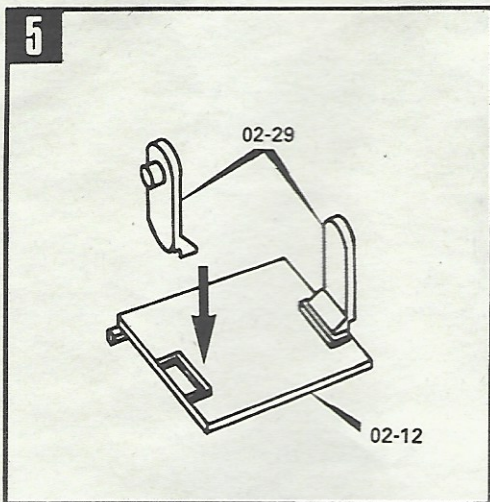
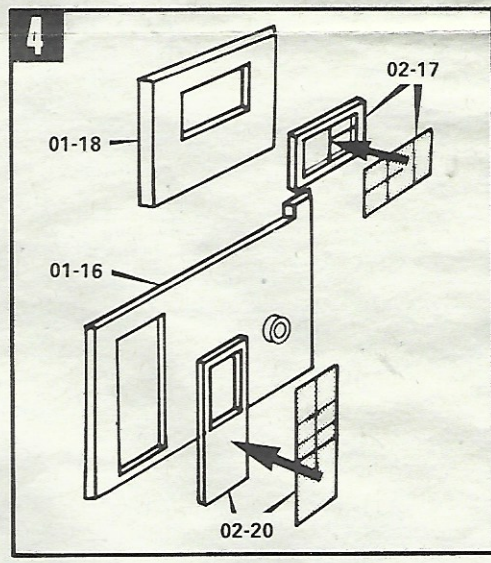
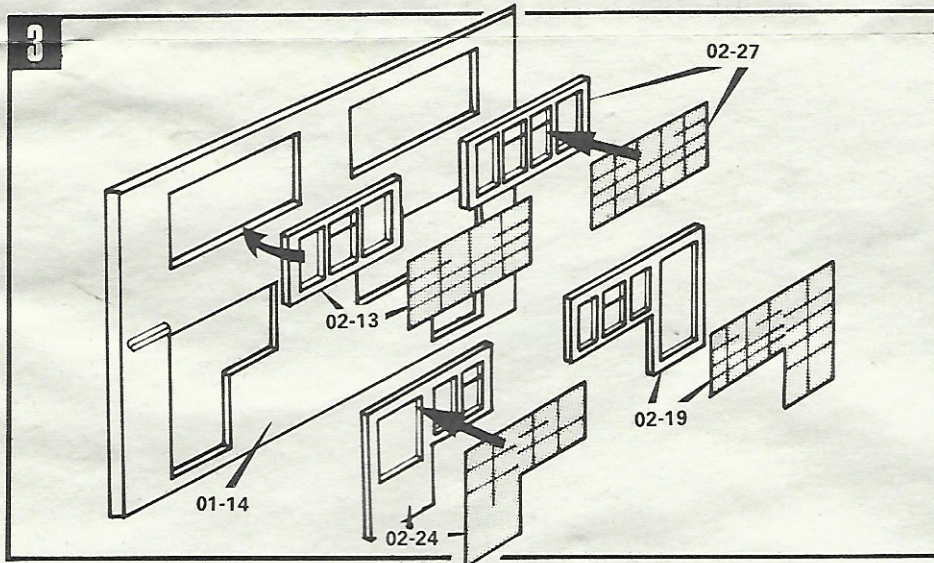
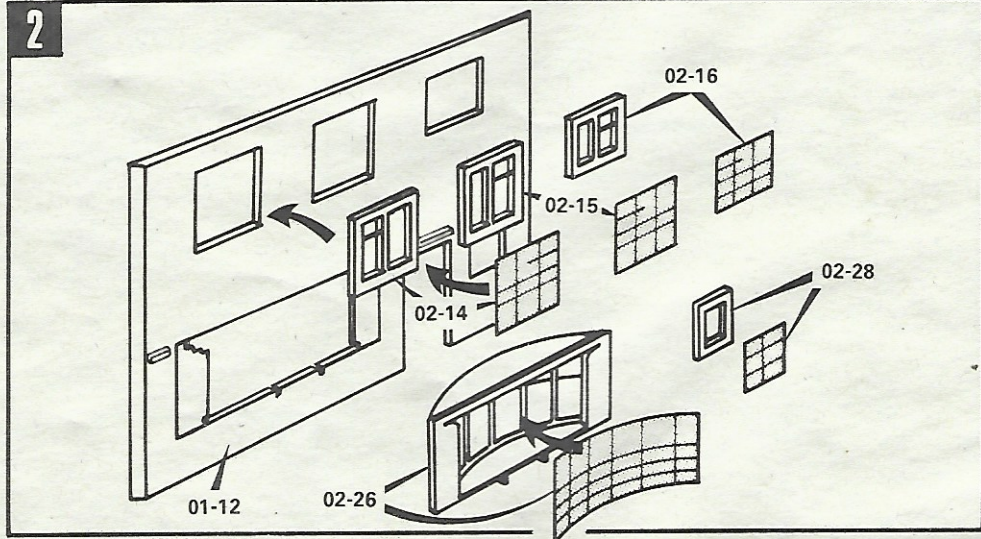
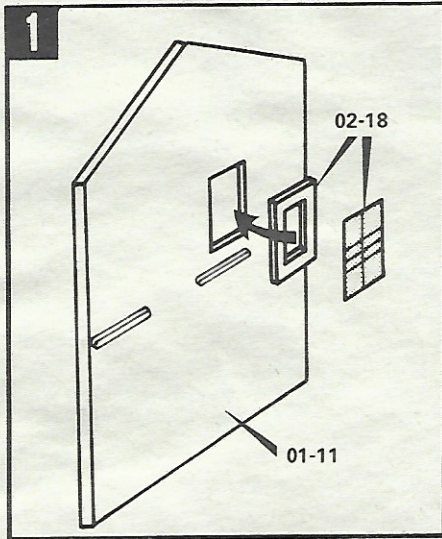
It is recommended to paint small parts before removing them from the sprues.

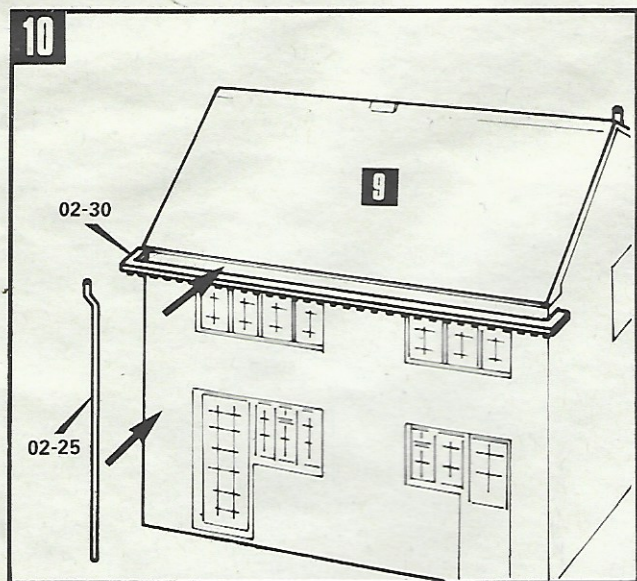
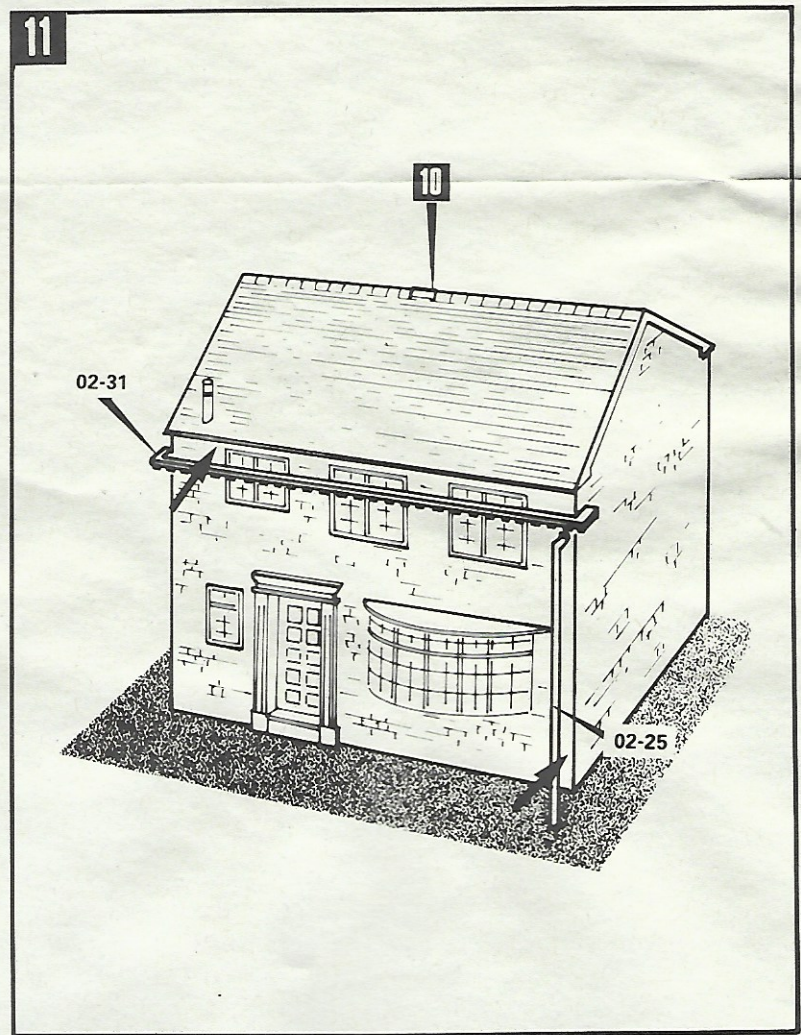
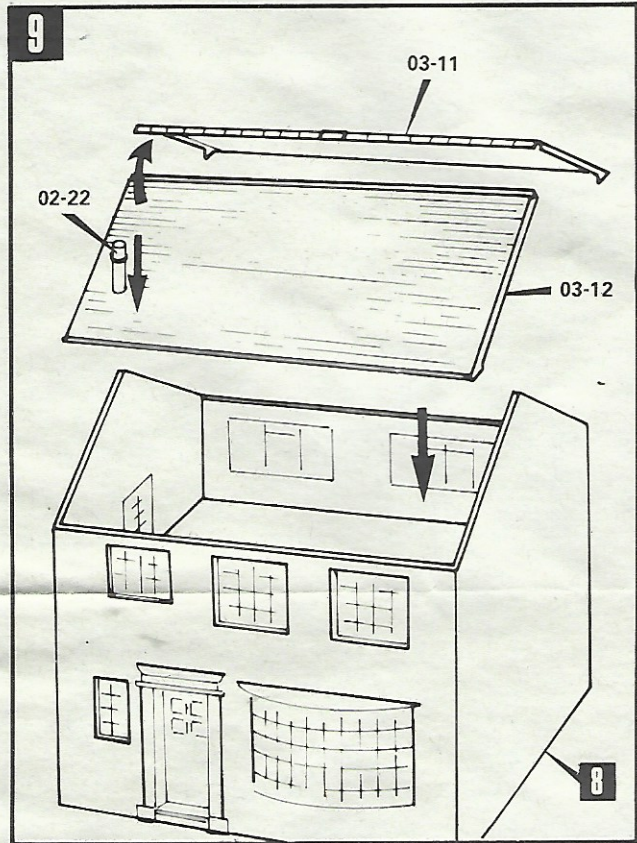
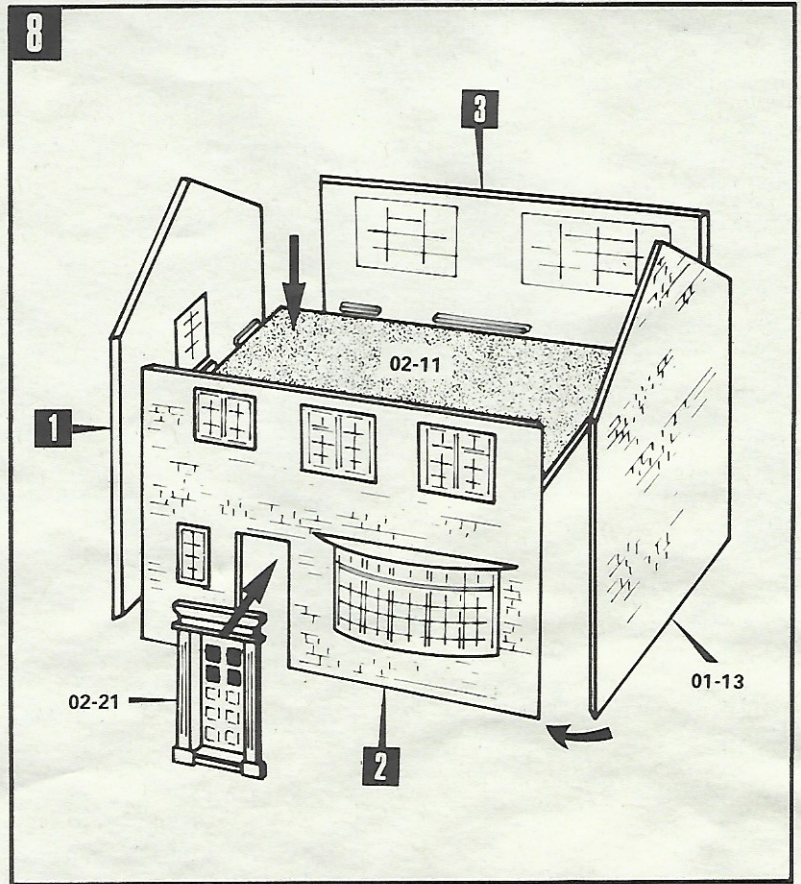
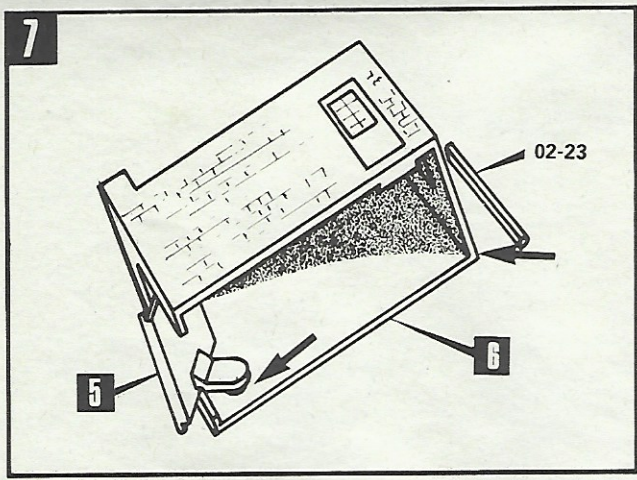
To avoid breakage, parts should be cut from sprues with scissors or a craft knife and not broken off by hand.

Use a craft knife to clean any 'flash' from parts.

Use cement sparingly to avoid unsightly blobs on the model.

The window glazing sheet is pre-printed with small window panes. Identify each one with its correspondingly numbered moulded window or door and then cut it from the sheet and cement to the inside of the moulding. Take care to apply cement only to the extreme edges of the panes.





Enquiries regarding spares and service should be addressed to:
Hornby Service Centre, Westwood, Margate, Kent, CT9 4JX, England.

Made in Western Germany

HORNBY HOBBIES