

intro

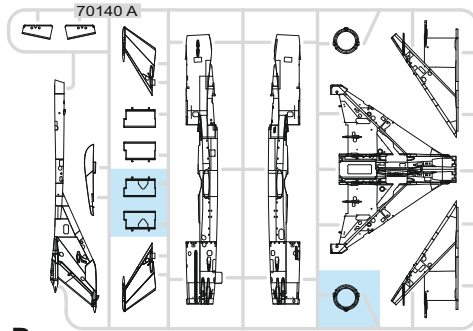
The MiG-21 was one of a long list of Mikoyan-Gurevich products to be integrated into the armed forces of the Soviet Union, the Warsaw Pact, and allied client states. Its predecessors included such notable types as the MiG-15, MiG-17 and the supersonic MiG-19. The roots of this project reach back to the first half of the fifties. In 1954, the Ye-1 project came to an end, and was quickly picked up by the Ye-2. Both had a swept wing. The first machine to feature the delta wing was the Ye-4, which first took to the air on June 16th, 1955. It was also demonstrated a year later at the Moscow airfield Tushino. The first of the new line to enter production was the MiG-21F, which together with the MiG-21P and F-13 represented the first generation of the MiG-21, and was in production through the end of the fifties and the beginning of the sixties. Subsequent versions included the PF, FL, PFM, R the production of which peaked at the end of the sixties. The third generation started production in 1968, which included such versions as M, SM, MF, SMT, bis among others. Simultaneously, two-seat training versions were also produced designated MiG-21U, UM and US. Production of the MiG-21 ended in 1985, and was put into service with some fifty nations. Over the course of the cold war, the opponents of the MiG-21 included the likes of the Northrop F-5 Freedom Fighter and the Dassault Mirage III. NATO assigned it the reporting name 'Fishbed'. It became the most produced supersonic fighter in terms of quantity. The new machines came off Soviet production lines in Moscow, Gorky and Tbilisi. The MiG-21F-13 was also built under license in Czechoslovakia and the MiG-21FL, M and bis in India by Hindustan Aeronautics Ltd. The Soviet Union produced 10,645 examples of all versions, 194 were built in Czechoslovakia and 657 in India. Outside of the Soviet Union, the type flew with a long list of nations on all continents with the exception of Australia. The MiG-21 participated in combat in Vietnam, the Indo-Pakistan wars, the Cuban participation in Angola and in the Arab world's attempt to eliminate Israel. Thanks to the high volume of use, the highest number of aces produced on the type was in Vietnam. The top of the ladder is occupied by Nguyen Van Coc with nine kills. The type serving as a interceptor served with the Soviet Union and other nations of the Warsaw Pact into the eighties, when it began to be displaced by the MiG-29 Fulcrum.

This kit presents an opportunity for you to build a model of a MiG-21MF supersonic jet fighter in a way it was produced in Gorky factory, where the production of the MF variant was moved from Moscow factory after their start with MiG-23s. The design of the fighter planes made in Gorky differed in several details from the Moscow design. The first reason for that was the unification of some features with the previously made aircraft in Gorky, the MiG-21bis, and the second reason was the use of former technological procedures followed by Gorky factory. These fighter jets were exported to German Democratic Republic, Poland, Czechoslovakia, Romania and Bulgaria. Production of this version finished after two years.

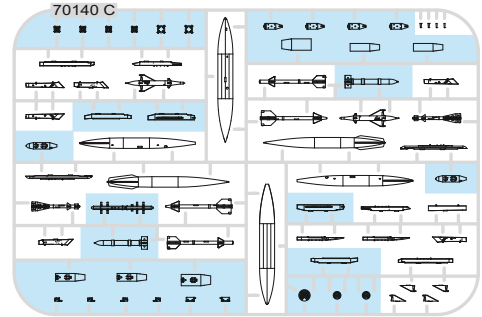
MiG-21MFs were powered by Tumanskij R-13-300 turbojet engine with additional combustion chamber and carried an RP-21 radar. The armament constituted of a twin-barreled GSch-23-2L 23mm autocannon with 200 rounds of ammunition. The racks carried a combination of FAB bombs with 500kg warhead, UB-16-57U launchers and R-3S rockets, Ch-66, S-24, including R-60 air-to-air missile and its infrared homing variant R-60M. The NATO code for MiG-21MFs was "Fishbed-J".

PLASTIC PARTS

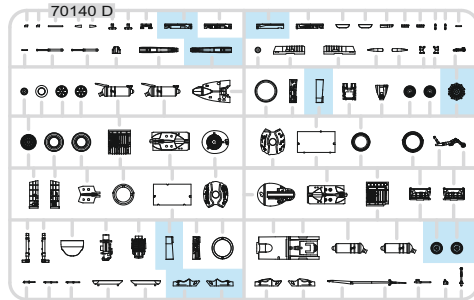
A>



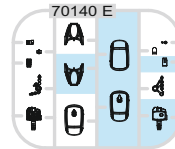
C>



D>



E>



GSI Creos (GUNZE)		MISSION MODELS	
AQUEOUS	Mr.COLOR	PAINTS	
H1	C1	[MMP-001]	WHITE
H3	C3	[MMP-003]	RED
H4	C4	[MMP-007]	YELLOW
H5	C5	[MMP-048]	BLUE
H12	C33	[MMP-047]	FLAT BLACK
H26	C66		BRIGHT GREEN
H27	C44		TAN
H47	C41	[MMP-012]	RED BROWN
H51	C11	[MMP-053]	LIGHT GULL GRAY
H53	C13		NEUTRAL GRAY
H67	C118	[MMP-057]	LIGHT BLUE
H70	C60	[MMP-056]	GRAY
H77	C137	[MMP-040]	TIRE BLACK

GSI Creos (GUNZE)		MISSION MODELS	
AQUEOUS	Mr.COLOR	PAINTS	
[H84]	[C42]		MAHOGANY
[H90]	[C47]		CLEAR RED
[H94]	[C138]		CLEAR GREEN
[H301]	[C301]	[MMP-099]	GRAY
[H310]	[C310]	[MMP-050]	BROWN
[H317]	[C317]	[MMP-054]	GRAY
[H321]	[C321]	[MMP-086]	LIGHT BROWN
[H332]	[C332]		LIGHT AIRCRAFT GRAY
[H334]	[C334]	[MMP-102]	BARLEY GRAY
[H421]	[C121]	[MMP-052]	BROWN VIOLET
[H422]	[C122]	[MMP-053]	LIGHT GREEN
	[C391]		INTERIOR GREEN
Mr.METAL COLOR		METALLICS	
[MC21a]		[MMM-006]	STEEL
[MC21a]		[MMM-001]	DARK IRON
[MC21b]		[MMM-003]	ALUMINIUM
Mr.COLOR SUPER METALLIC		METALLICS	
[SM201]		[MMC-001]	SUPER FINE SILVER
[SM209]		[MMC-001]	SUPER CHROME SILVER
Mr.COLOR GX		METALLICS	
[GX03]			HERMANN RED
[GX04]			CHIARA YELLOW

-Parts not for use. -Teile werden nicht verwendet. -Pièces à ne pas utiliser. -Tyto díly nepoužívejte při stavbě. - 使用しない部品

ATTENTION * UPOZORNĚNÍ * ACHTUNG * ATTENTION

(GB)

Carefully read instruction sheet before assembling. When you use glue or paint, do not use near open flame and use in well ventilated room. Keep out of reach of small children. Children must not be allowed to suck any part, or pull vinyl bag over the head.

(CZ)

Před započetím stavby si pečlivě prostudujte stavební návod. Při používání barev a lepidla pracujte v dobře větrané místnosti. Lepidla ani barvy nepoužívejte v blízkosti otevřeného ohně. Model není určen malým dětem, mohlo by dojít k požití drobných dílů.

(D)

Vor dem Zusammenbau die Bauanleitung gut durchlesen. Kleber und Farben nicht in der Nähe von offenem Feuer verwenden und für eine ausreichende Belüftung sorgen. Den Bausatz von kleinen Kindern fernhalten. Vermeiden Sie, dass Kinder Bauteile in den Mund nehmen oder sich Plastiktüten über den Kopf ziehen.

(F)

lire soigneusement la fiche d'instructions avant d'assembler. Ne pas utiliser de colle ou de peinture à proximité d'une flamme nue, et aérer la pièce de temps en temps. Garder hors de portée des enfants en bas âge. Ne pas laisser les enfants mettre en bouche ou sucer les pièces, ou passer un sachet vinyl sur la tête.

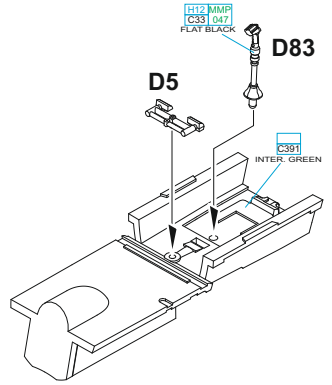
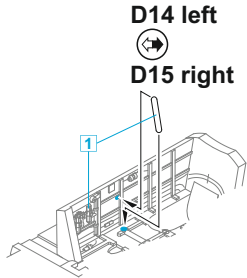
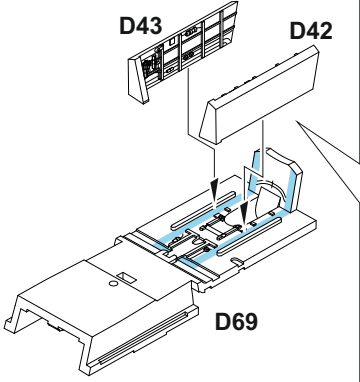
INSTRUCTION SIGNS * INSTR. SYMBOLY * INSTRUKTION SINNBILDEN * SYMBOLES

OPTIONAL VOLBA	BEND OHNOUT	SAND BROUSIT	OPEN HOLE VYVRTAT OTVOR	SYMMETRICAL ASSEMBLY SYMETRICKÁ MONTÁŽ	REMOVE ODRŽNOUT	REVERSE SIDE OTOČIT	APPLY EDUARD MASK AND PAINT POUŽIT EDUARD MASK NABARVIT

1

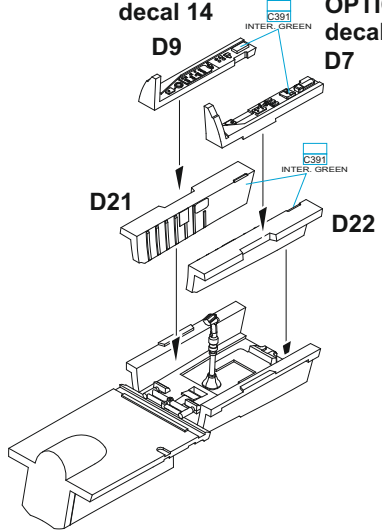
=

H151 MMP	(2x1) 056	- MARKING A
LIGHT GULL GRAY		
H70 MMP	(C6) 056	- MARKING B
GRAY		

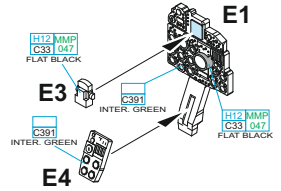


OPTIONAL:
decal 14

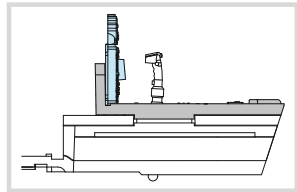
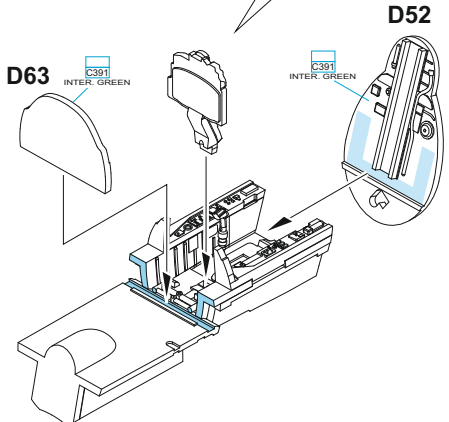
OPTIONAL:
decal 13
D7

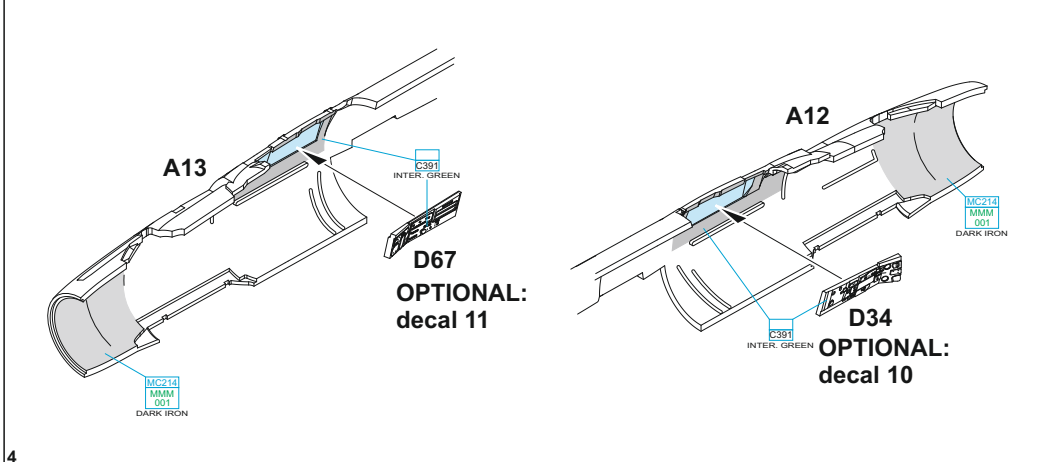
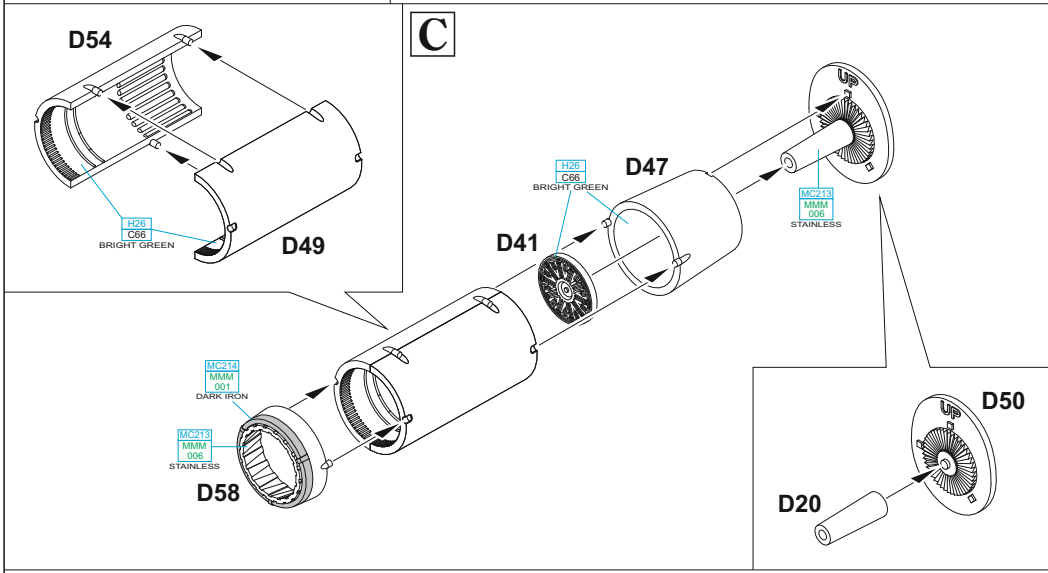
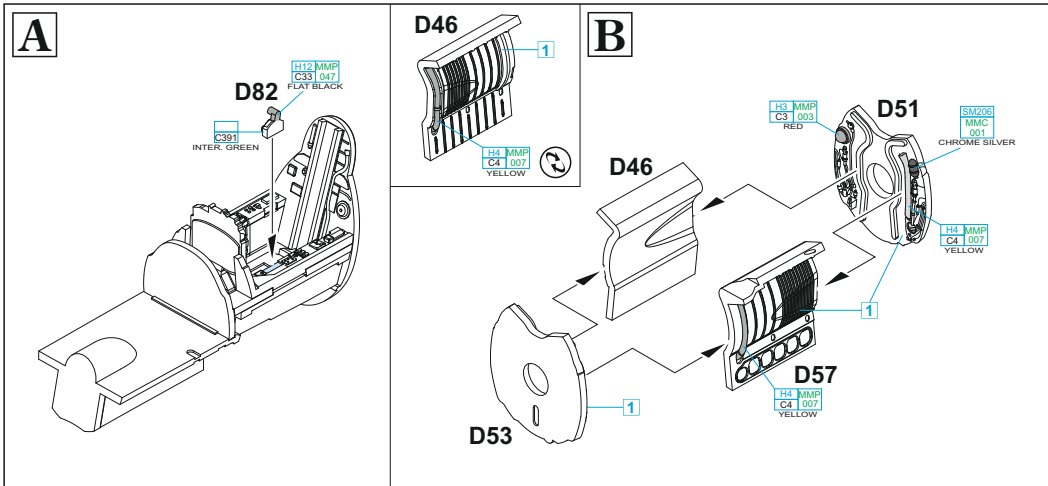


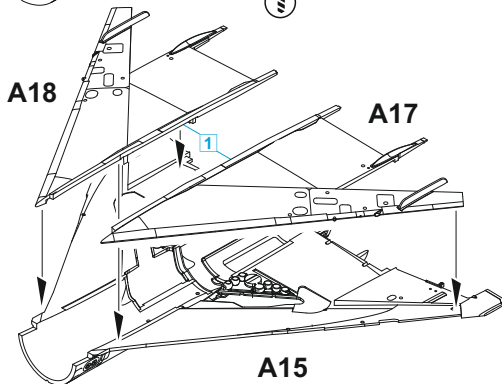
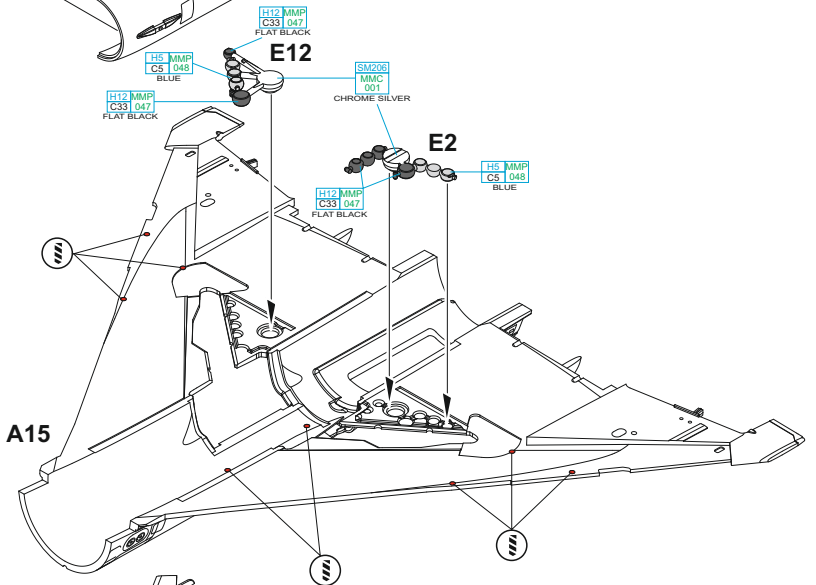
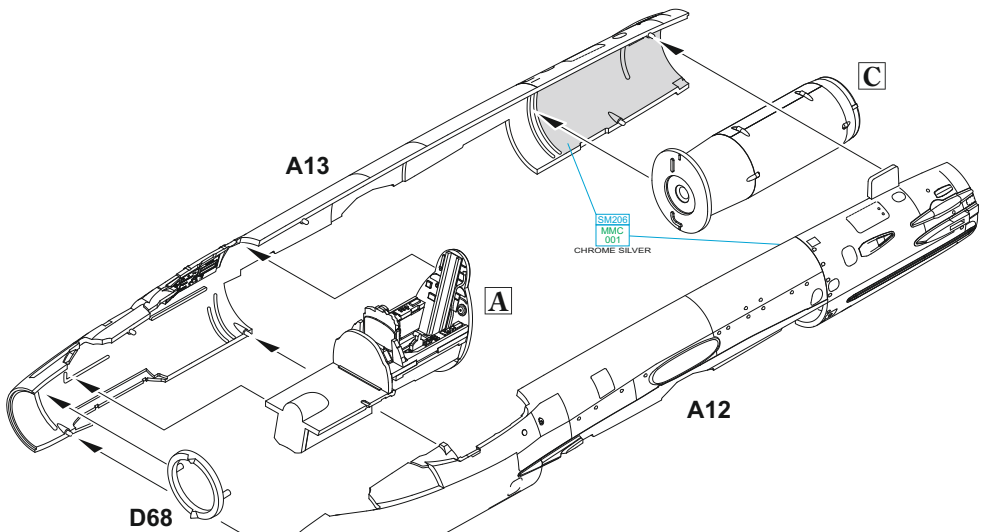
OPTIONAL: decal 9

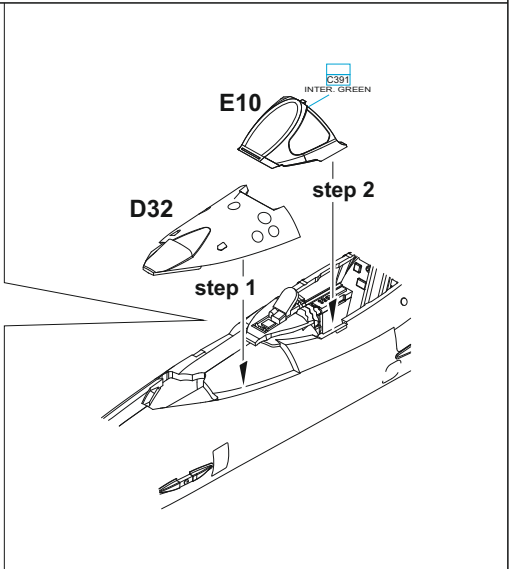
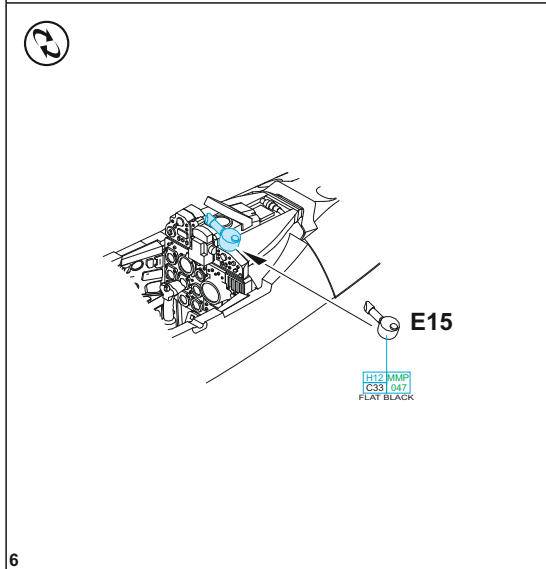
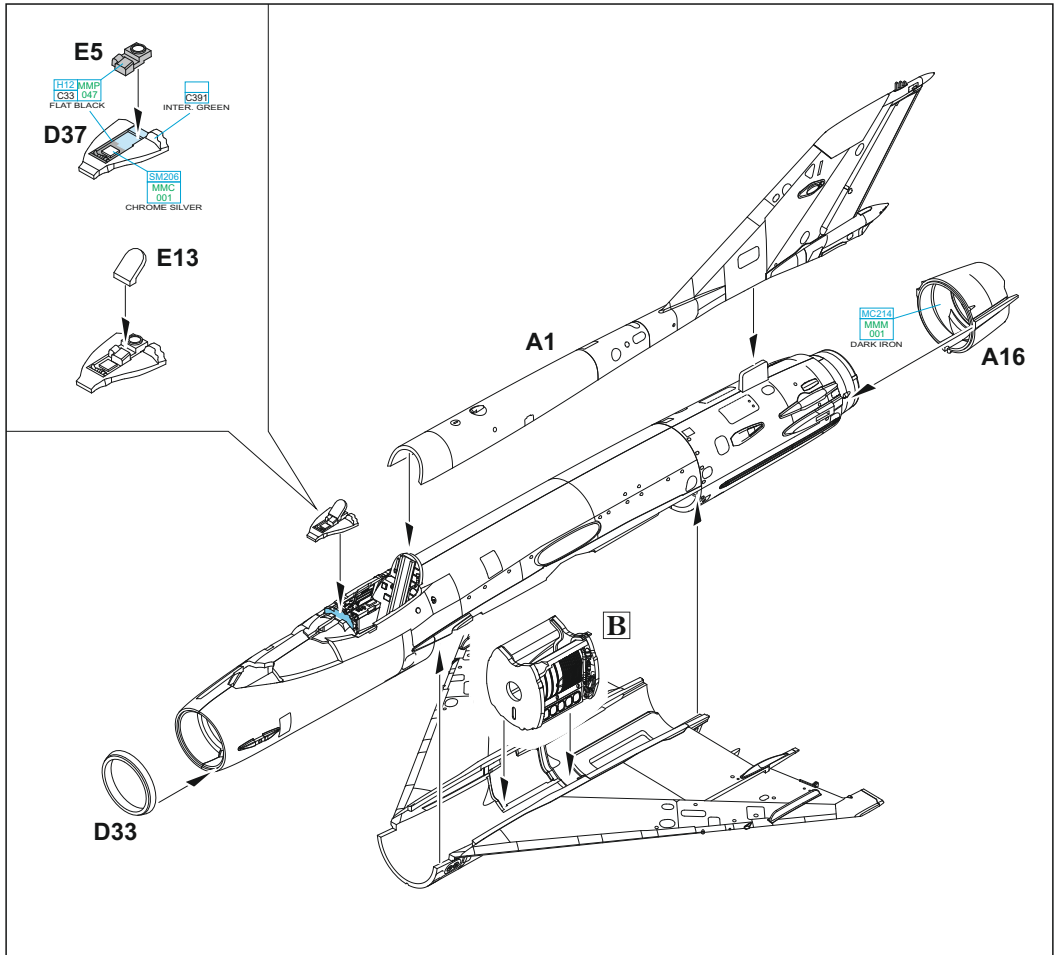


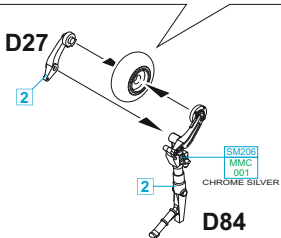
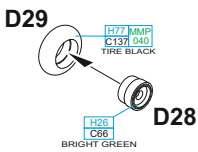
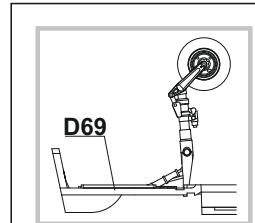
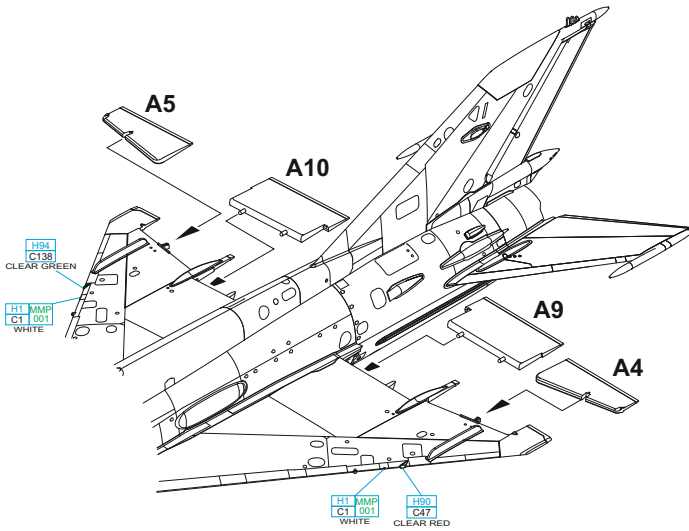
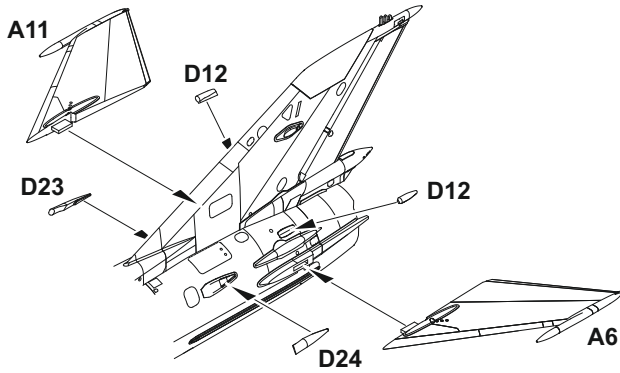
OPTIONAL:
decal 12



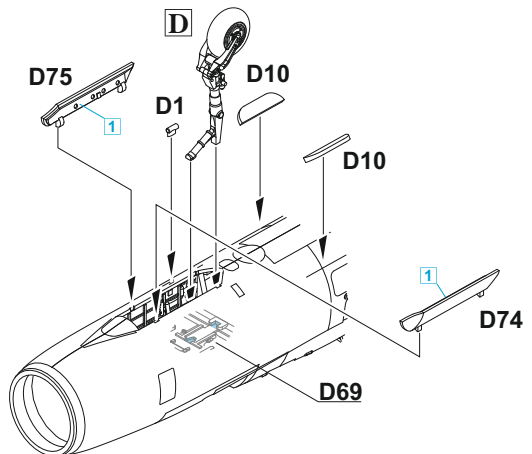






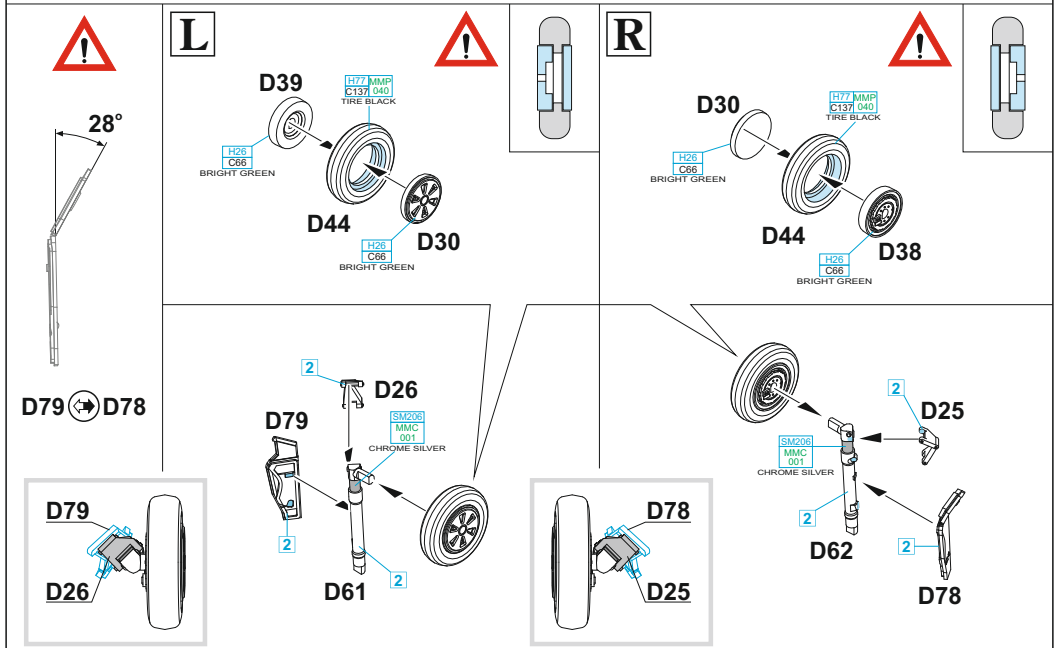
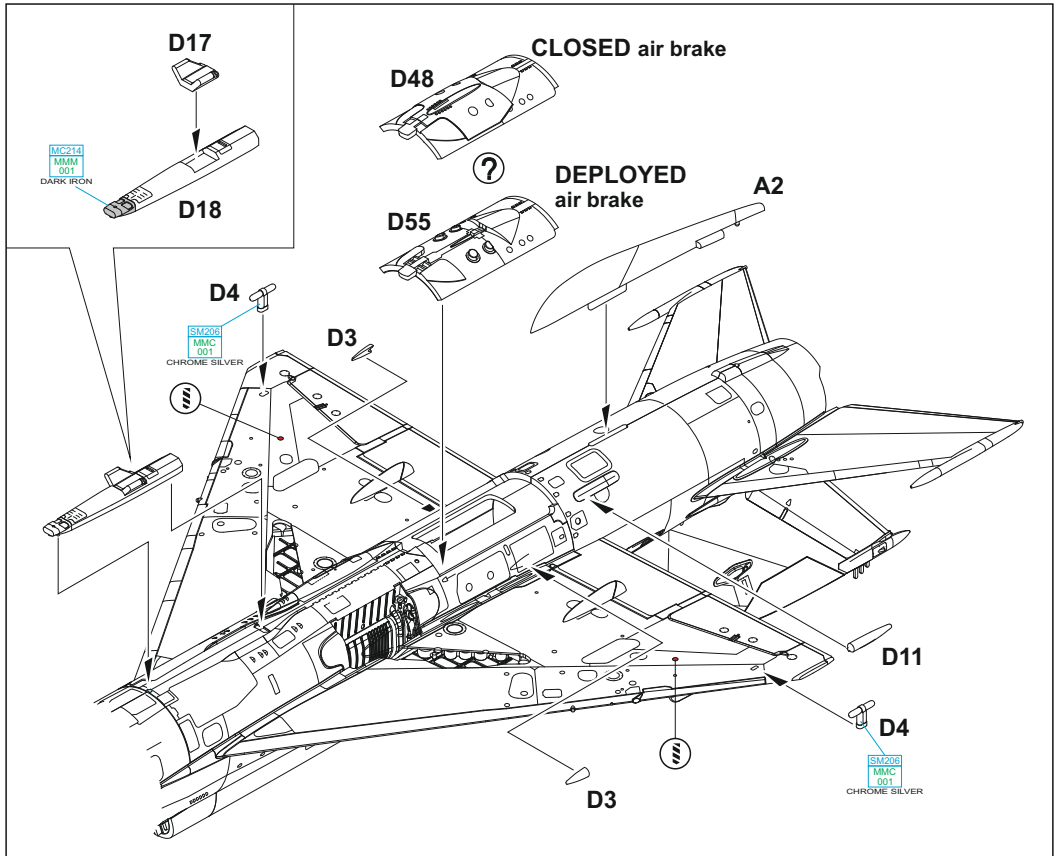


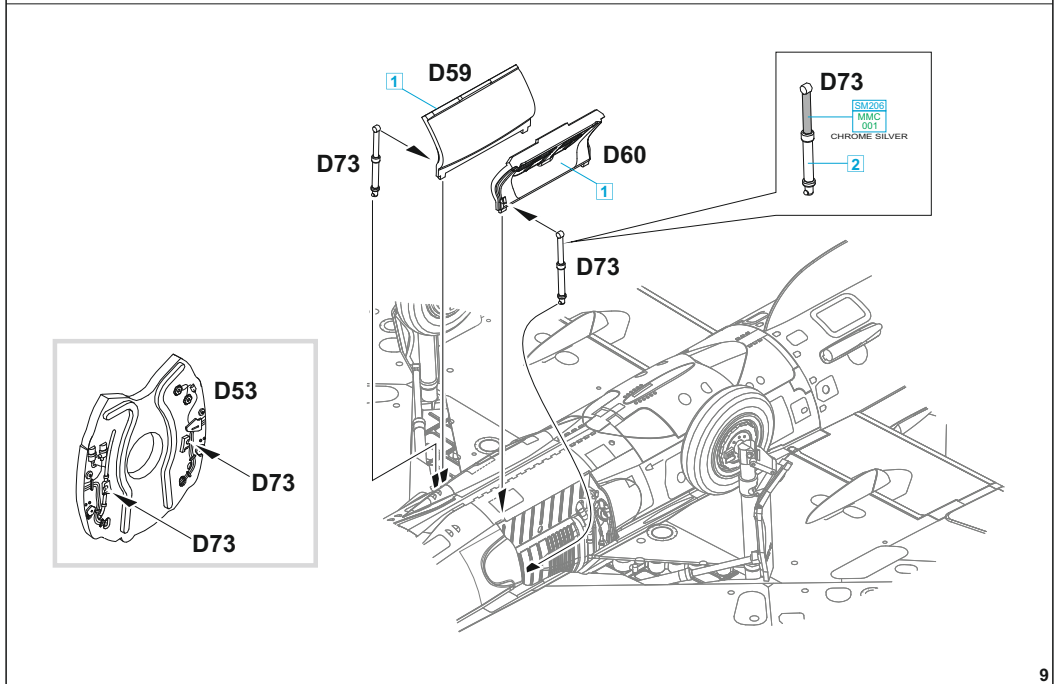
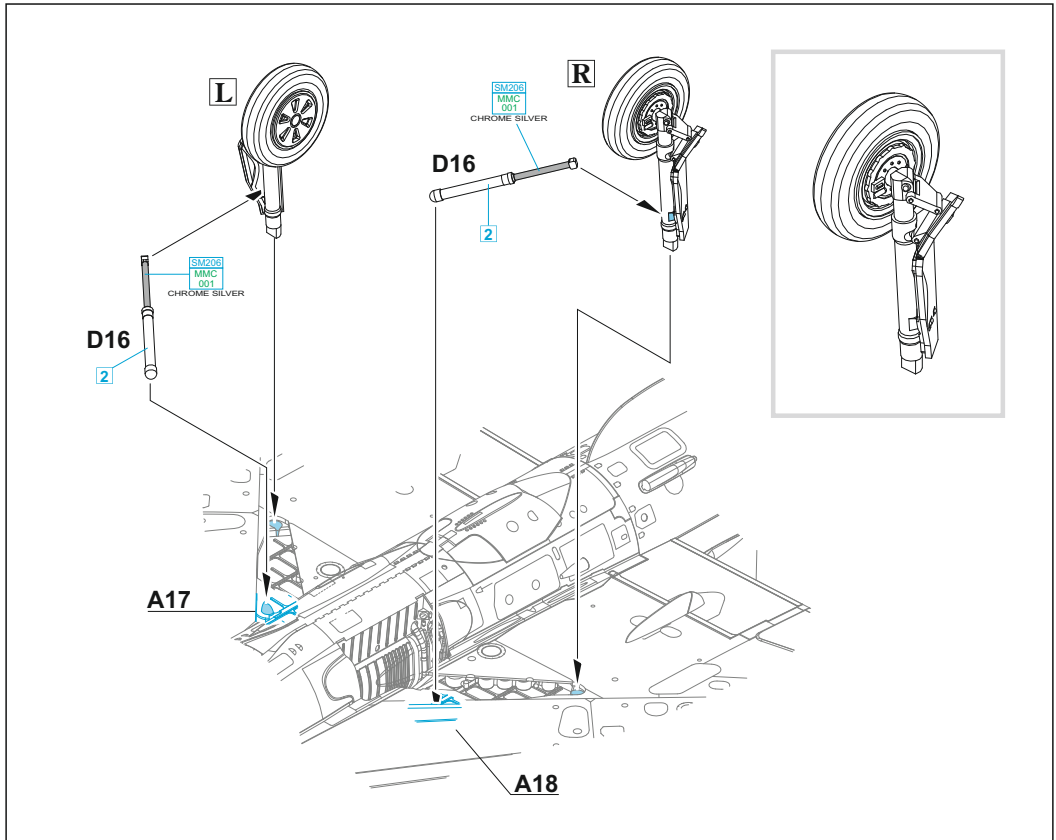
D



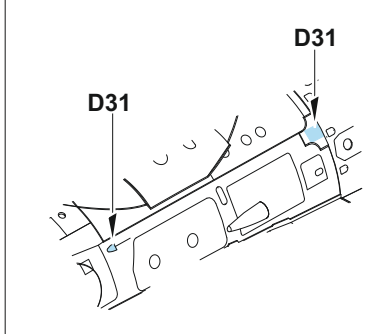
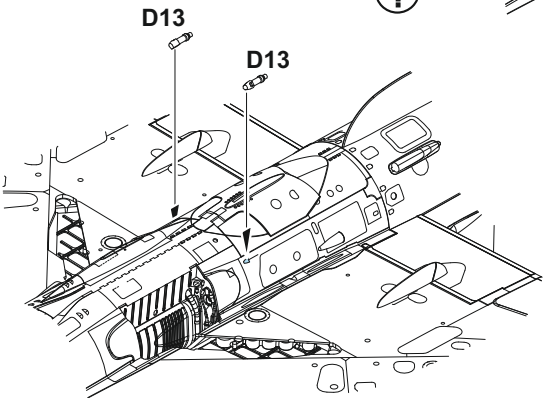
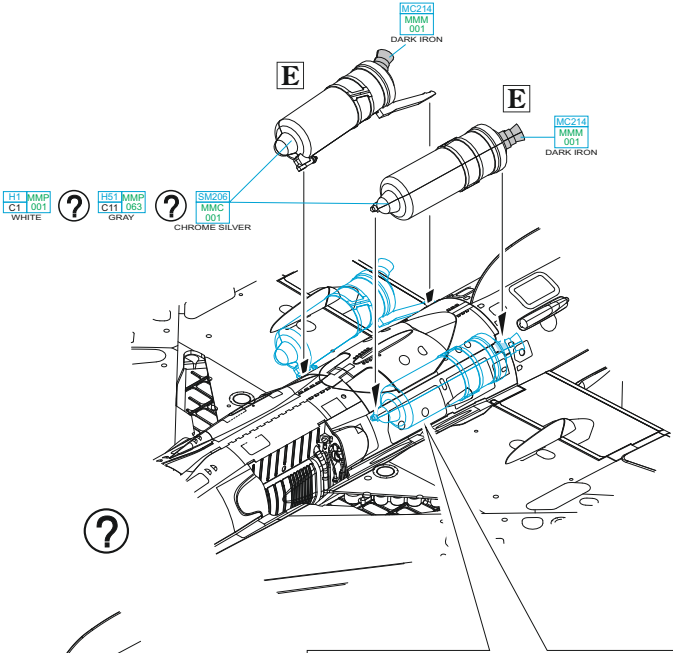
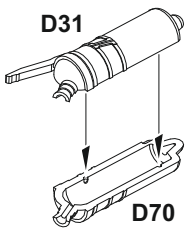
2 = H51 MMP - MARKING A
C11 063 - LIGHT SILVER GRAY

H301 MMP - MARKING B
C801 099 - GRAY





E 2 pcs.

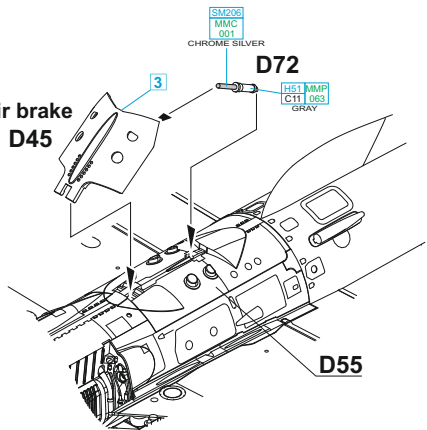
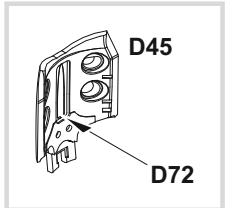


3 =

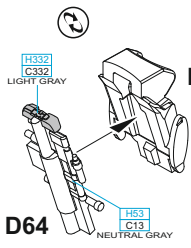
H4 MMP C4 007 YELLOW	- MARKING A
H20 MMP C20 055 GRAY	- MARKING B

?

DEPLOYED air brake

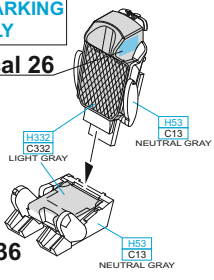


decal 26 - MARKING
B ONLY



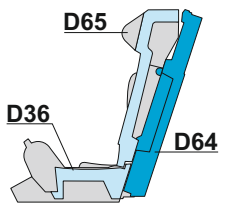
D65

decal 26

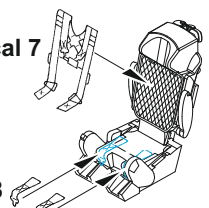


D64

D36

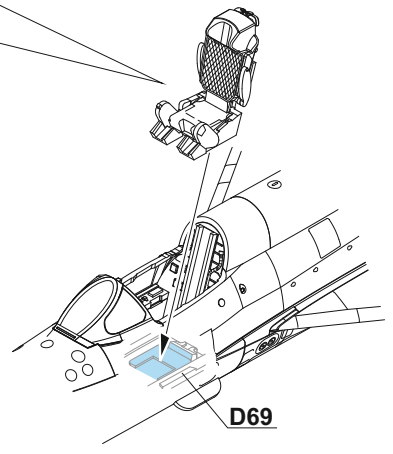


decal 7

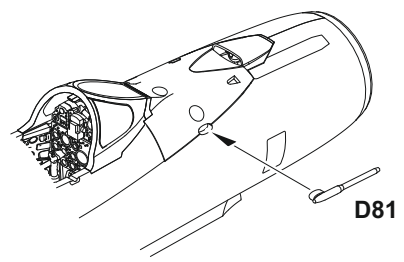


decal 8

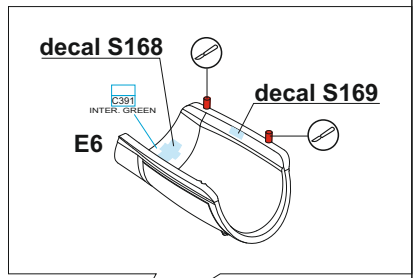
decal 8



D69



D81

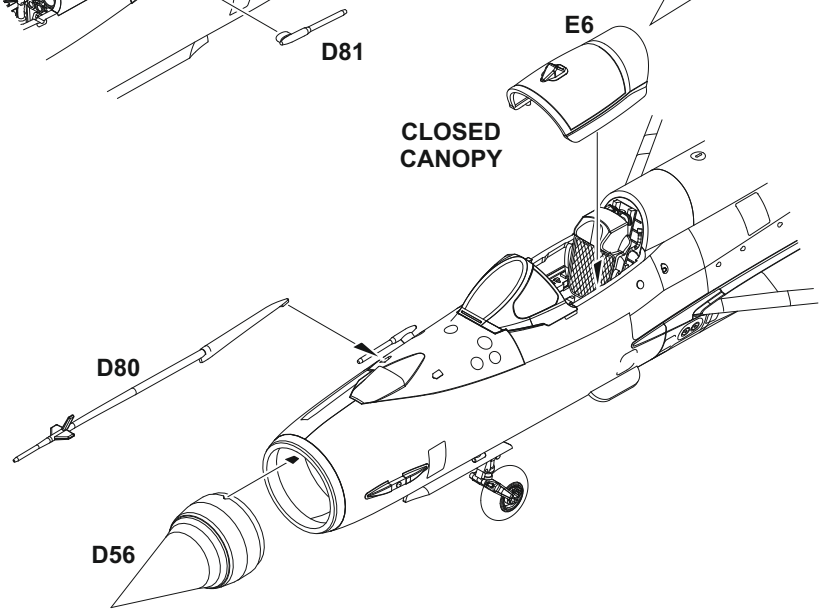


decal S168

decal S169

E6

CLOSED CANOPY



D80

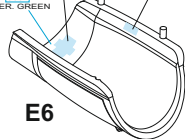
D56

E6

decal S168

C391
INTER. GREEN

decal S169



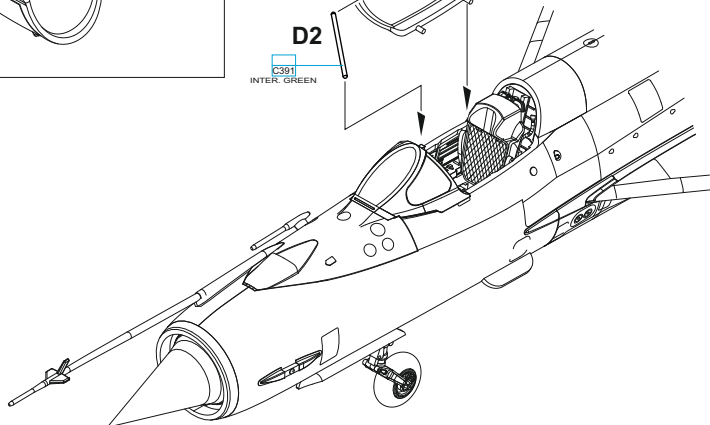
E6

E6

**OPEN
CANOPY**

D2

C391
INTER. GREEN



**EXTERNAL
FUEL TANK PYLONS
ZÁVĚSNÍK
PŘ. NÁDRŽE**

C30

UNDERSURFACE
COLOR



C21

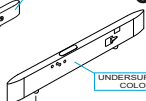
UNDERSURFACE
COLOR



**EXTERNAL
FUEL TANK PYLONS
ZÁVĚSNÍK
PŘ. NÁDRŽE**

C40

UNDERSURFACE
COLOR



C10

C41

UNDERSURFACE
COLOR



C41

UNDERSURFACE
COLOR



UNDERSURFACE
COLOR

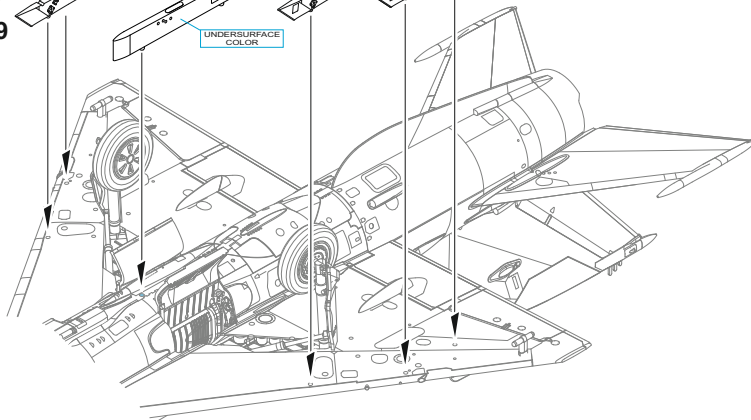
**EXTERNAL
FUEL TANK PYLONS
ZÁVĚSNÍK
PŘ. NÁDRŽE**

C11

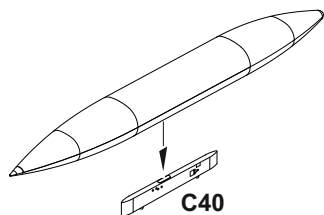
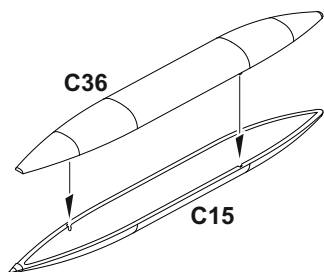
**WEAPON PYLONS
ZÁVĚSNÍK VÝZBROJE**

C9

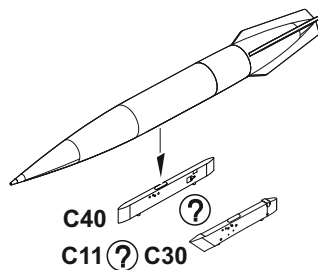
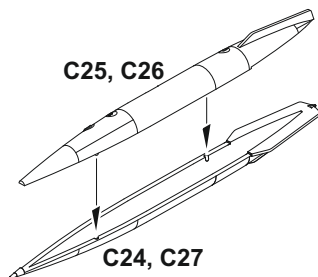
**WEAPON PYLONS
ZÁVĚSNÍK VÝZBROJE**



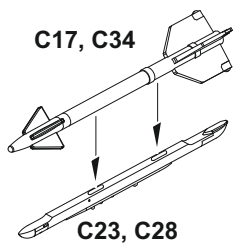
EXTERNAL FUEL TANK 800 l
PRÍDAVNÁ NÁDRŽ 800 l



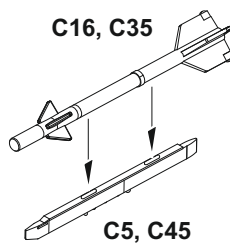
EXTERNAL FUEL TANK 490 l
PRÍDAVNÁ NÁDRŽ 490 l
2 pcs.



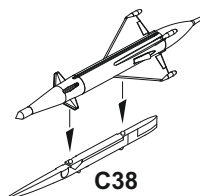
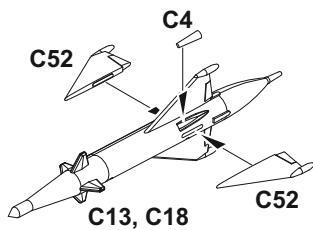
R-13
2 pcs.

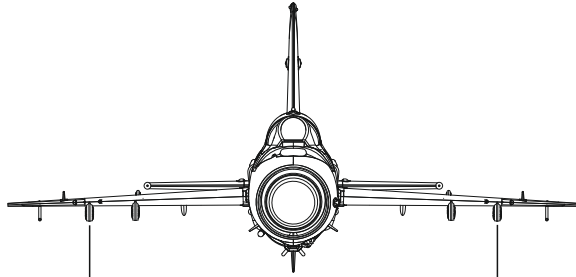


R-3S
2 pcs.



RS-2US
2 pcs.





**EXTERNAL
FUEL
TANK 800 l**

|| C40



**EXTERNAL
FUEL
TANK 490 l**

|| C40



**EXTERNAL
FUEL
TANK 490 l**

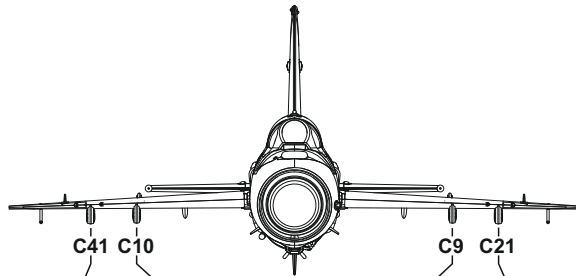
|| C11



|| C30



TYPICAL ARMAMENT FOR QUICK REACTION ALERT DUTY



2x RS-2US

|| C5



|| C38



|| C38



|| C45



2x R-3S

2x RS-2US

|| C23



|| C38



|| C38



|| C28



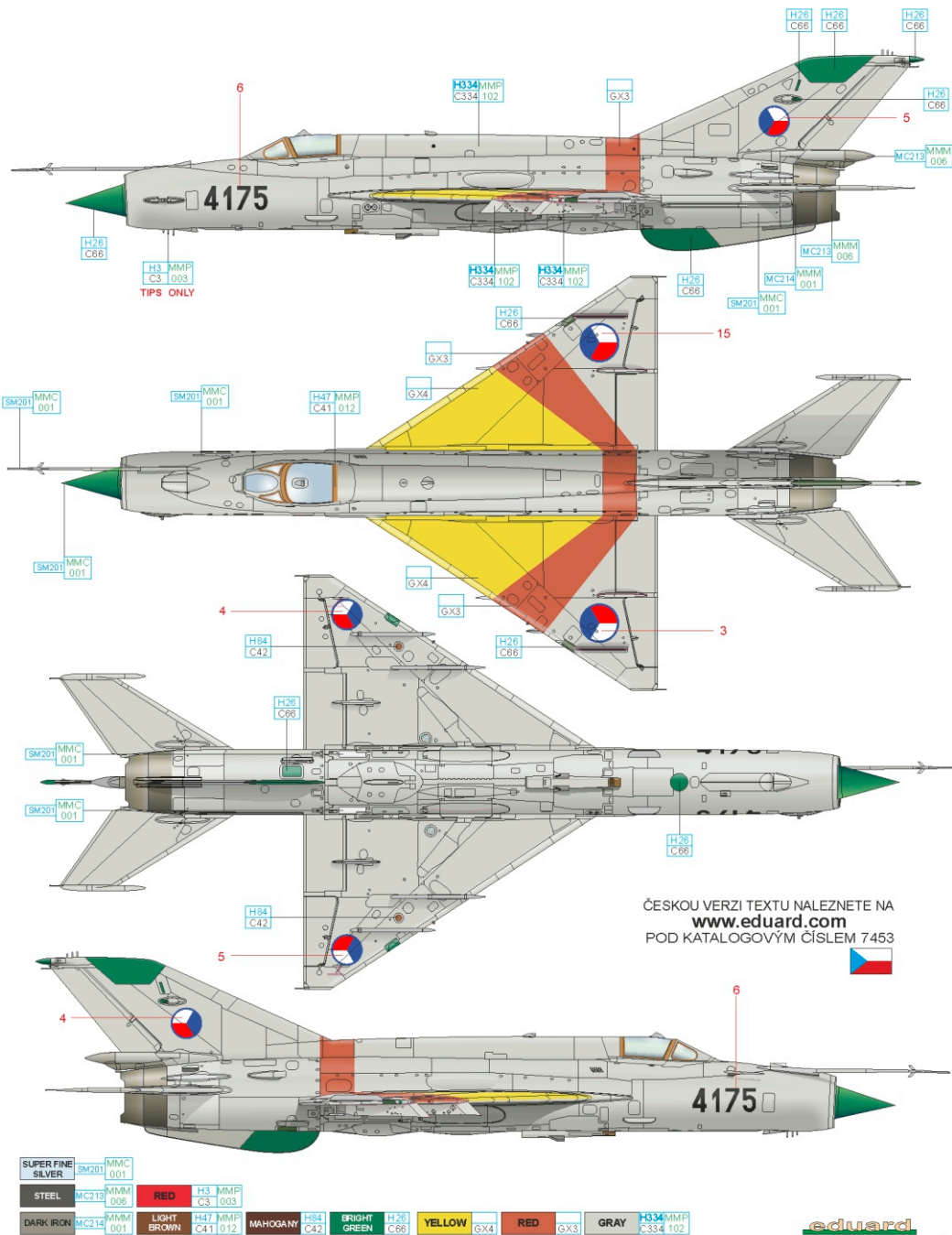
2x R-13

**TO CHOOSE WEAPON AND EXTERNAL FUEL TANK
OPTION PLEASE FOLLOW YOUR REFERENCE.**

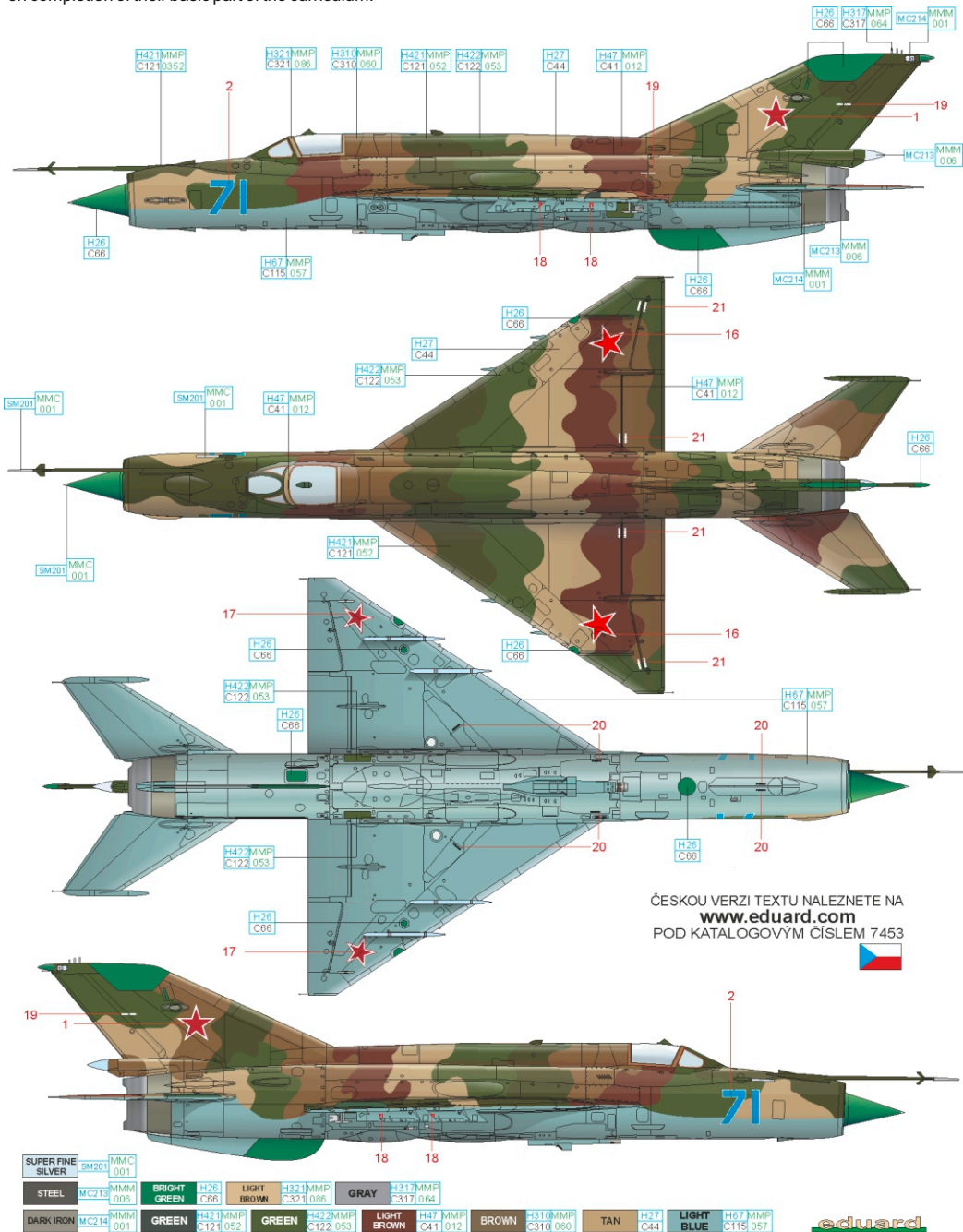
**PRO VOLBU VÝZBROJE A PŘÍDAVNÝCH NÁDRŽÍ SE DRŽTE
DOKUMENTACE KONKRÉTNÍHO STROJE.**

A No. 4175, 1st Fighter Regiment, České Budějovice, Czechoslovakia, 1979

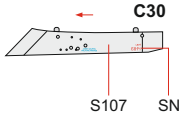
Colour additions in red and yellow on the upper wing surfaces and the red band around the fuselage were temporarily used during air combat maneuvering exercises on two pairs of aircraft. The rest of the schemes is consistent with factory deliveries from 1975 when it was delivered to the 1st Fighter Regiment. After being upgraded to MiG-21MFN standard during 2000, it was one of the last to serve at Caslav in 2005.



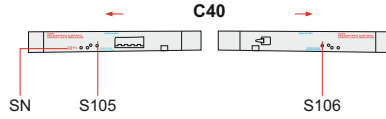
Despite the MiG-21MFs manufactured at Gorky, being intended for client states of the Soviet Union, several of these aircraft made it into Soviet service nonetheless. The only unit known to have flown the type was the 116th Combat Training Centre, based at Privilzhsky Air Base, near Astrakhan. The aircraft was camouflaged on the upper surfaces in two shades of green and brown, supplemented by a tan. The bottom surfaces were in bluegrey. This unit used the aircraft for combat training of pilots on completion of their basic part of the curriculum.



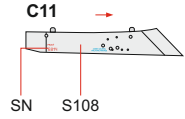
LEVÝ VNĚJŠÍ PALIVOVÝ PYLON
LEFT OUTSIDE UNDERWING TANK PYLON



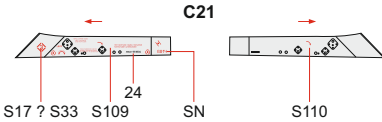
PODTRUPOVÝ PYLON
FUSELAGE PYLON



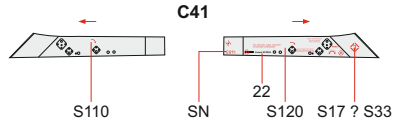
PRÁVÝ VNĚJŠÍ PALIVOVÝ PYLON
RIGHT OUTSIDE UNDERWING TANK PYLON



LEVÝ VNĚJŠÍ PYLON
LEFT OUTSIDE PYLON

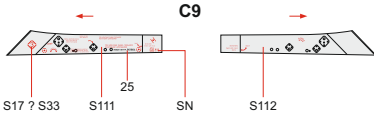


PRÁVÝ VNĚJŠÍ PYLON
RIGHT OUTSIDE PYLON

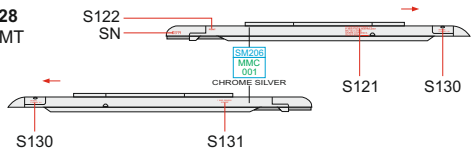
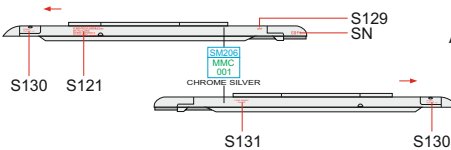
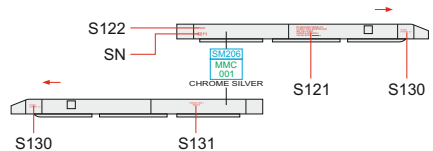
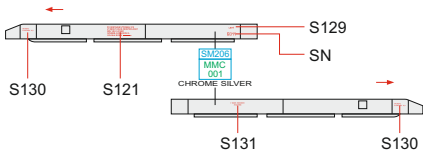
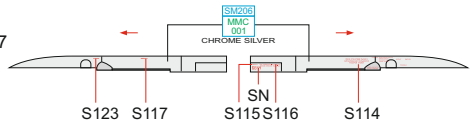
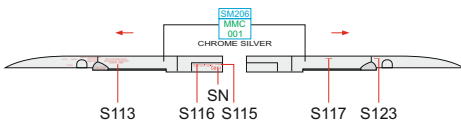
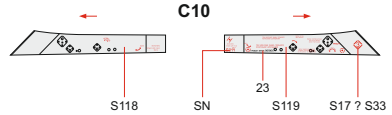


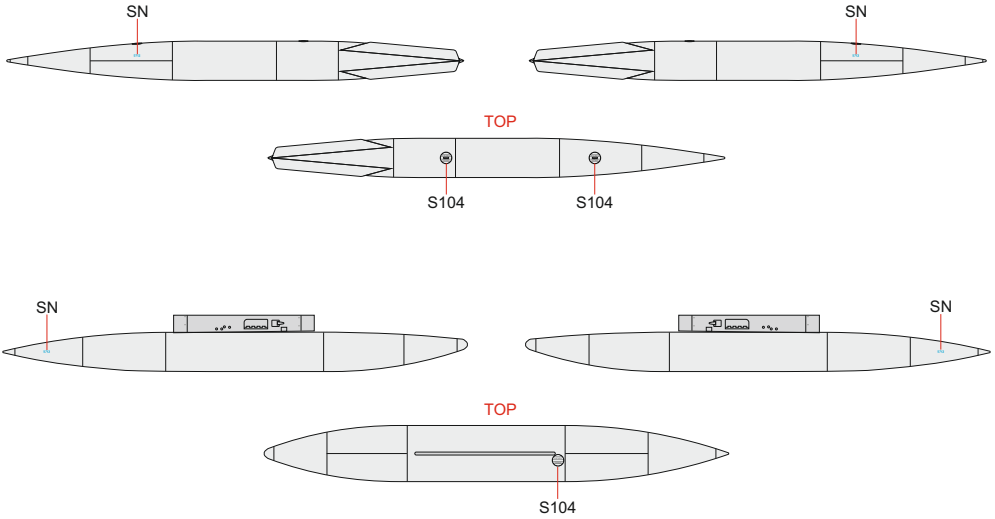
DECALS NO. 22, 23, 24, 25 -
MARKING B ONLY

LEVÝ VNITŘNÍ PYLON
LEFT INSIDE PYLON



PRÁVÝ VNITŘNÍ PYLON
RIGHT INSIDE PYLON





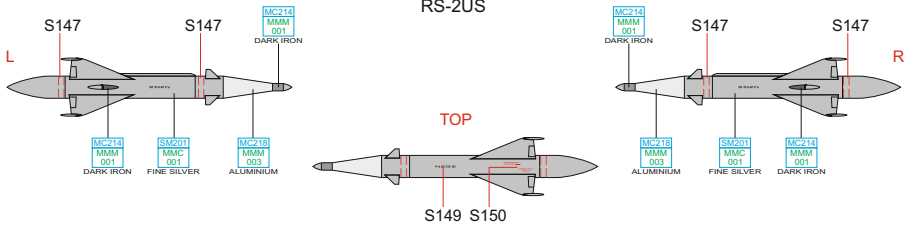
R-3S

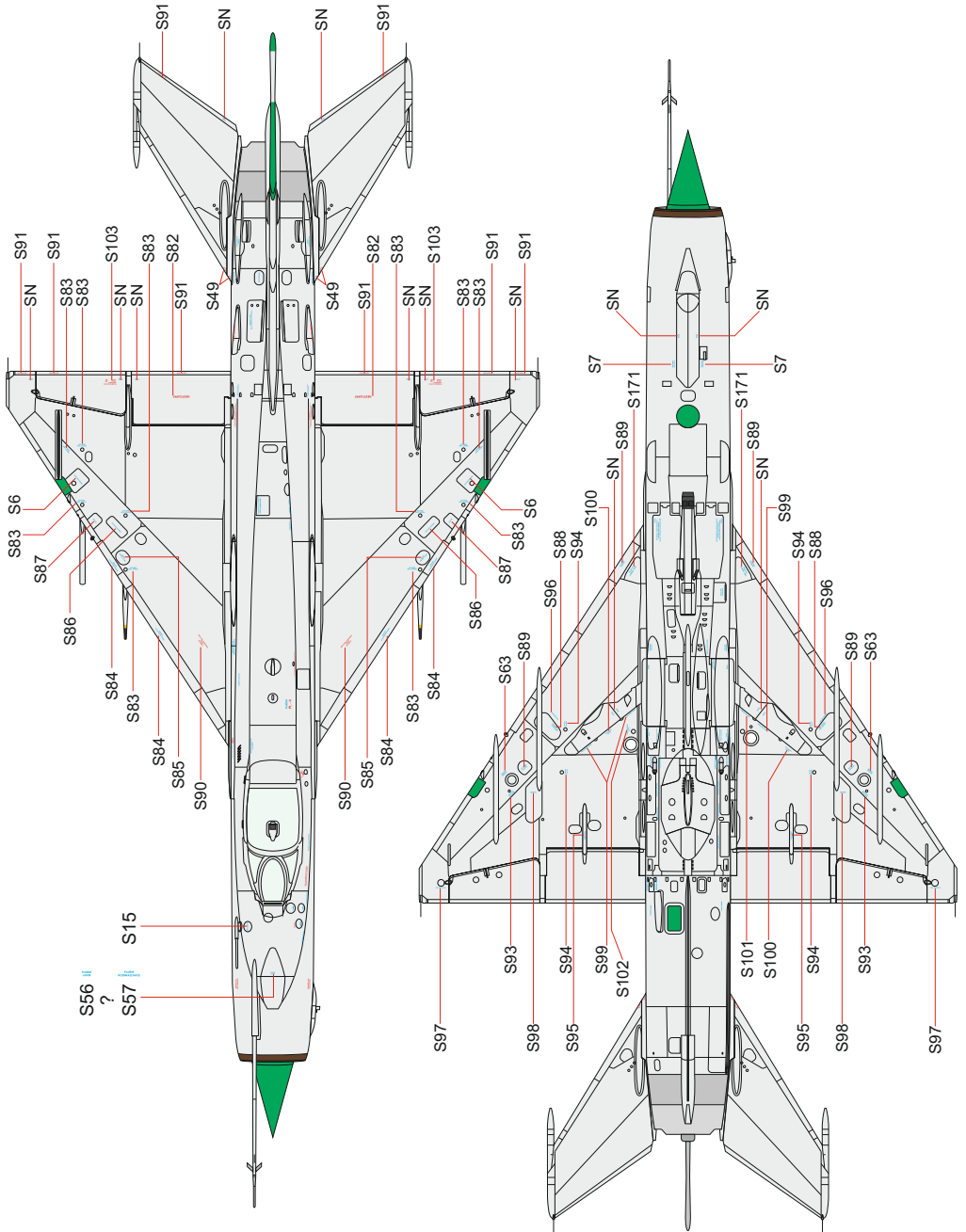


R-13

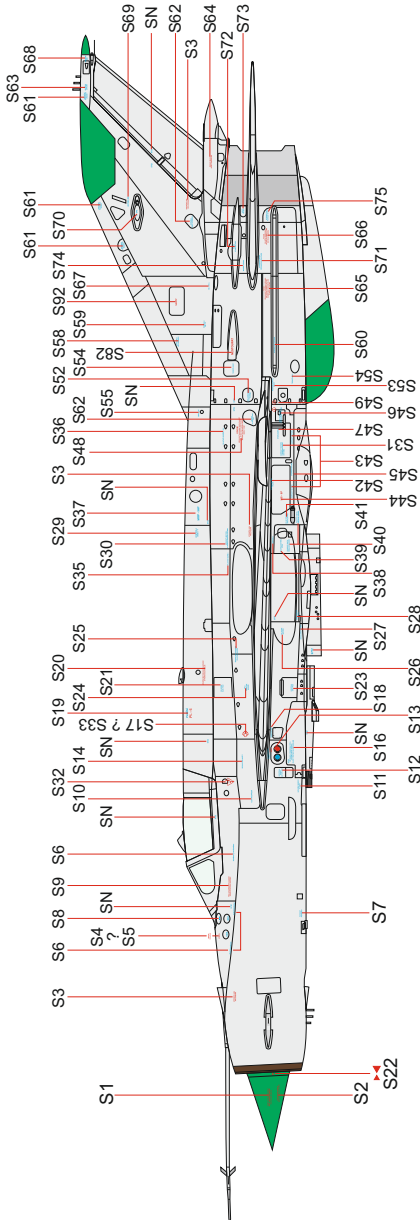


RS-2US





Pro letouny kamuflované jsou určeny popisky červené a modré, pro letouny v barvě kovu nebo šedé použijte popisky červené a černé.
 Red and blue stencils for camouflaged aircraft, black and red for grey or natural metal aircraft.



SN - SERIAL NUMBER
 MALÉ NA DRÁK LETOUNU
 STŘEDNÍ NA ZÁVĚSNÍKY
 VELKÉ NA RAKETNICE

SN - SERIAL NUMBER
 SMALL TO AIRFRAME
 MEDIUM TO PYLONS
 LARGE TO ROCKET LAUNCHERS

