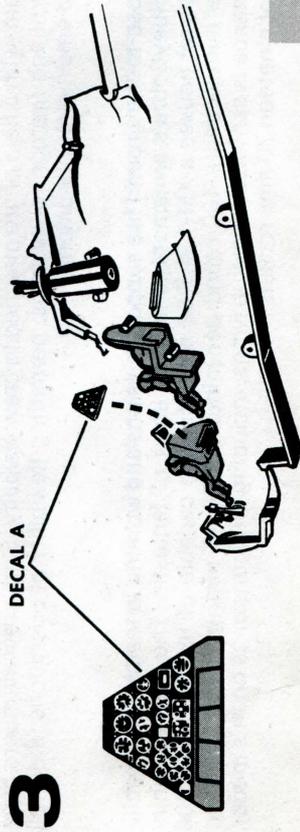
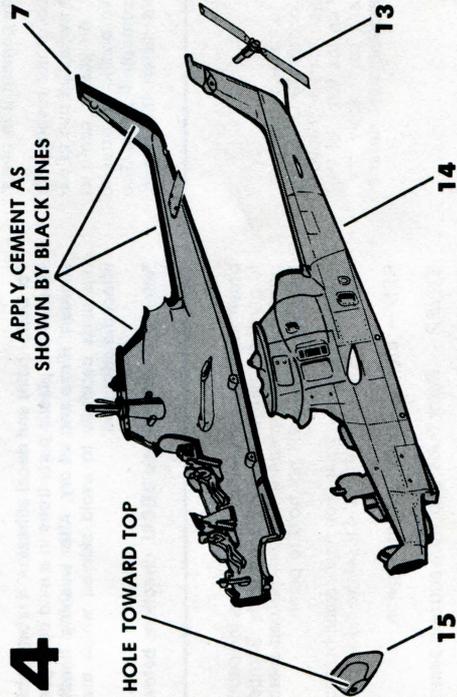


**CEMENT:**

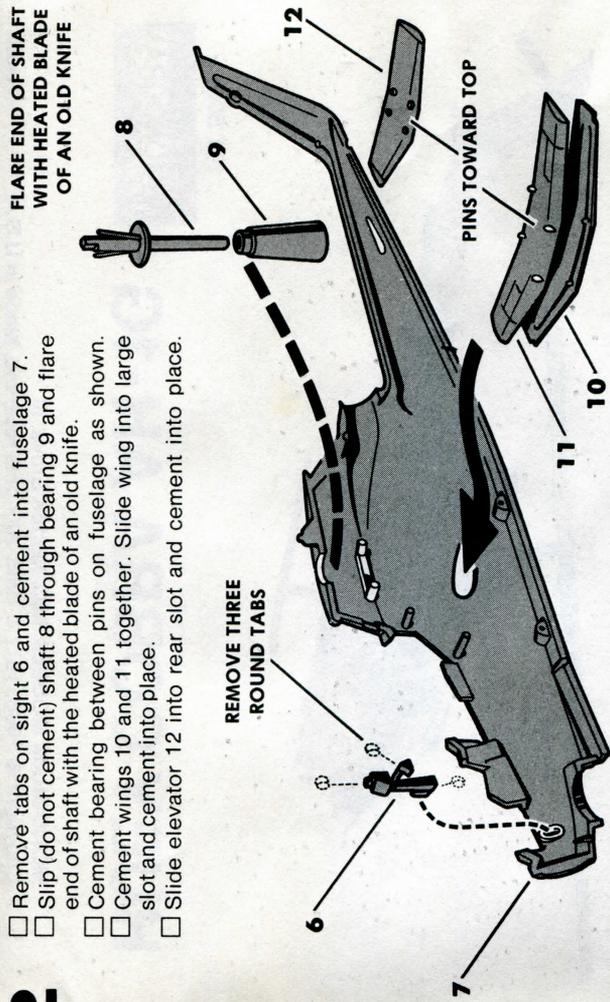
- seat 2 to bulkhead 1.
  - seat 5 to interior 4.
  - pilot 3 to each seat.
- SET UNITS ASIDE TO DRY.



- Cut instrument panel from decal sheet and cement to bulkhead.
- Cement both pilot units to fuselage as shown.

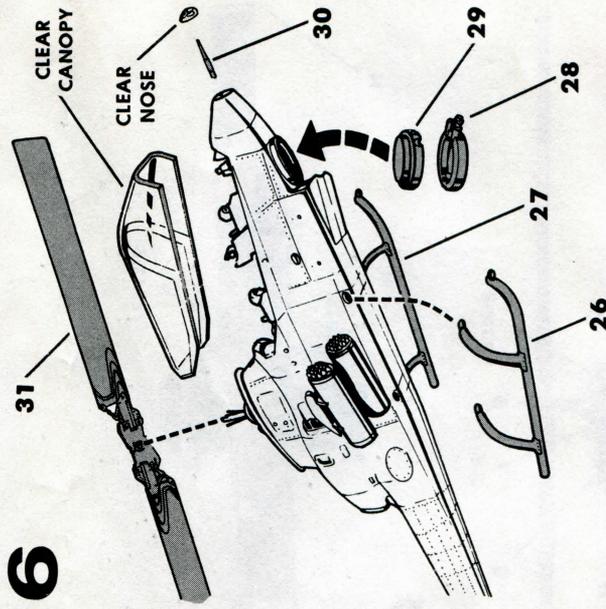


- Push (do not cement) rear rotor 13 shaft through fuselage 14 and flare end.
- Apply cement to fuselage 7 as shown by the heavy black line. Press fuselage halves together.
- Cement nose 15 (hole toward top) to fuselage.



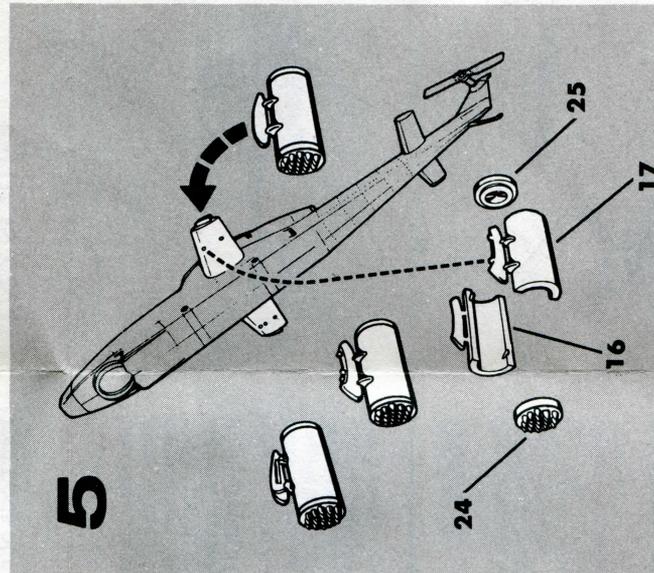
**REMOVE THREE ROUND TABS**

- Remove tabs on sight 6 and cement into fuselage 7.
- Slip (do not cement) shaft 8 through bearing 9 and flare end of shaft with the heated blade of an old knife.
- Cement bearing between pins on fuselage as shown.
- Cement wings 10 and 11 together. Slide wing into large slot and cement into place.
- Slide elevator 12 into rear slot and cement into place.



**CEMENT:**

- skids 26 and 27 into holes in fuselage.
- turret halves 28 and 29 together.
- turret into place.
- pitot tube 30 into nose.
- clear nose over pitot tube.
- clear canopy into place.
- rotor 31 to top of shaft.



**CEMENT:**

- pod parts 16 to 17, 18 to 19, 20 to 21 and 22 to 23.
- noses 24 and tails 25 to pods.
- pods with 2 pins and 3 pins onto wings.
- pods with slots onto wing tips.