

U.S. M55 Quad Mount Machine Guns 2in1

1/35 scale

35DM001

DYNAMO
MODELS



READ THE INSTRUCTIONS BEFORE BEGINNING YOUR MODEL

組立ての注意

- ・接着剤や塗料は火の近くで使わないでください。使う時はとどき窓を開けて換気に気をつけましょう。
- ・部品をランナーから切り離す時は模型用ハサミ等を使い、余分な部分はカッターやヤスリ等で仕上げてください。
- ・組立図のサインマークは下の説明をごらんください。

《注意》

- ・勿於近火處使用膠水或油漆・並打開窗戶保持空氣流通。
- ・自膠架中取出部件時・應用模型專用剪・並用界刀或小銼除去多餘的膠料。
- ・各圖型的含意可參考本欄以下的說明。

ZUR BEACHTUNG

- ・ Kleber und Farbe nicht in der Nähe einer offenen Feuer verwenden und das Fenster von Zeit zu Zeit zur Belüftung öffnen.
- ・ Zum Abschneiden der Teile vom Verbundstück eine Modellerschere verwenden und die überstehenden Plastikteile mit einem Messer oder eine Feile beseitigen.
- ・ Die Bedeutung der Symbole finden Sie unten in dieser Spalte.

CAUTION

- ・ When you use glue or paint, do not use near a naked flame, and use in a well-ventilated room.
- ・ When you take parts off the runner frame, use modeling scissors and trim excess plastic with a cutter or a file.
- ・ See below for the meaning of symbols.

ATTENTION

- ・ Ne pas utiliser de colle ou de peinture a proximité d'une flamme nue, et aérer la pièce de temps en temps.
- ・ Pour retirer les pièces hors du cadre, utiliser des ciseaux spéciaux pour maquette le plastique en excès avec un cutter ou une lime.
- ・ Voir la fin de cette colonne pour la signification des symboles

ATTENZIONE

- ・ Non usare colla e vernice vicino a fiamme esposte, e aprire le finestre di tanto in tanto per cambiare l'aria.
- ・ Quando si staccano parti del carrello, usare forbici da modellismo e eliminare la plastica in eccesso con un coltello o una lima.
- ・ Vedere in fondo a questa colonna per il significato dei simboli.

x2 2コつってください
MAKE 2pcs
2 TEILE FERTIGEN
EFFECTUER 2 PIECES
FARE DUE PEZZI
TEE 2 KPL
GÖR 2 ST
製作二組

注意してください
BE CAREFUL
FAIRE ATTENTION
USARE ATTENZIONE
VAROVASTI
FORIKTIGT
小心理意

切り取ってください
REMOVE
ENTFERNEN
RETIHRER
SEPARARE
POISTA
AVLÄGSNA
切去

穴をめてください
OPEN HOLE
OFFNEN
FAIRE UN TROU
FORO APERTO
AVAA REIKA
ÖPPNÄ HALET
鑽孔

接着しないでください
DO NOT CEMENT
NICHT KLEBEN
NE PAS COLLER
NON INCOLLARE
EILIMAA
LIMMAEJ
不用貼合

接着してください
CEMENT TOGETHER
ZUSAMMENKLEBEN
COLLER ENSEMBLE
INCOLLARE INSIEME
LIIMAA YHTEEN
LIMMA IHOP
用膠貼合

デカールを貼ってください
APPLY DECAL
HIER ABZIEHBILD
APPLIQUER DECALCOMANIE
APPLICARE DECALCOMANIE
ASETA SIIRTOKUVÄ
APPLICERA DECALEAN
貼上水印紙

折り曲げてください
BEND
BITTE BIEGEN
PLIER S'IL VOUS PLAÎT
PIEGARE
TAITA
BOCKA
屈曲

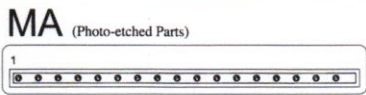
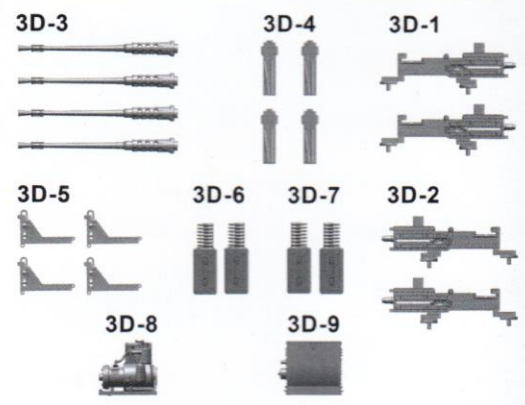
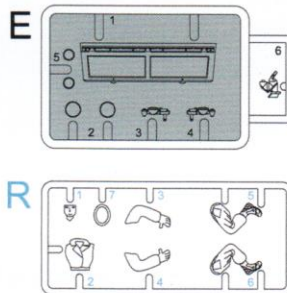
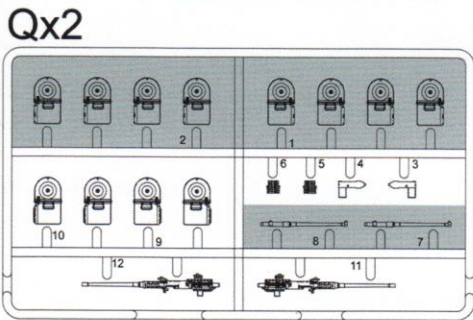
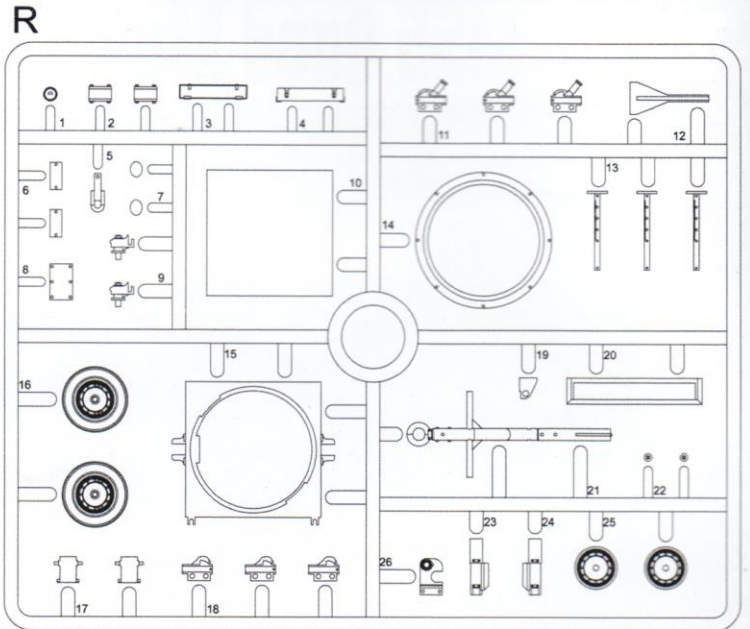
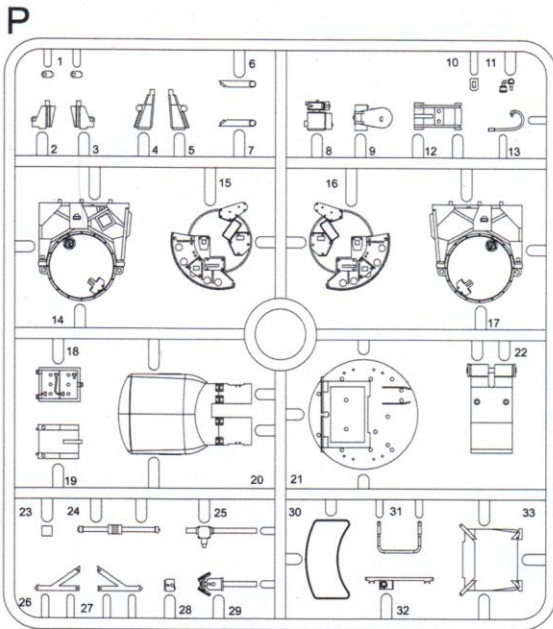
穴をうめてください
FILL HOLE
SCHLIESSEN
BOUCHER LE TROU
FORD PIENO
TAYTÄ HEIKA
FYLL HÄLET
把孔填平

どちらかを選んでください
OPTIONAL
NACH BELIEBEN
FACULTATIV
FACOLTATIVO
VALINNANVARAINEN
VALBAR
可以選擇採用

接着剤が乾くまで 2-3 分待ちます。
PLEASE WAIT FOR A FEW MINUTES UNTIL DRY
ENWEC MINUTEN WARTEN BIS DER KLEBSTOFF GETROCKNET IST
ASPETINRE ALCUNE MINUTI FINCHE LA COLLA SI E ASSOLUGATA
VEUILLEZ PATENTER QUELQUES JUSQU'AU SECHAGE
VANTA MUUTAMA MINUUTTI KUNNES KUIVUNUT
OODTA MUUTAMA MINUUTTI KUNNES KUIVUNUT
稍候數分鐘 直至接著劑乾固

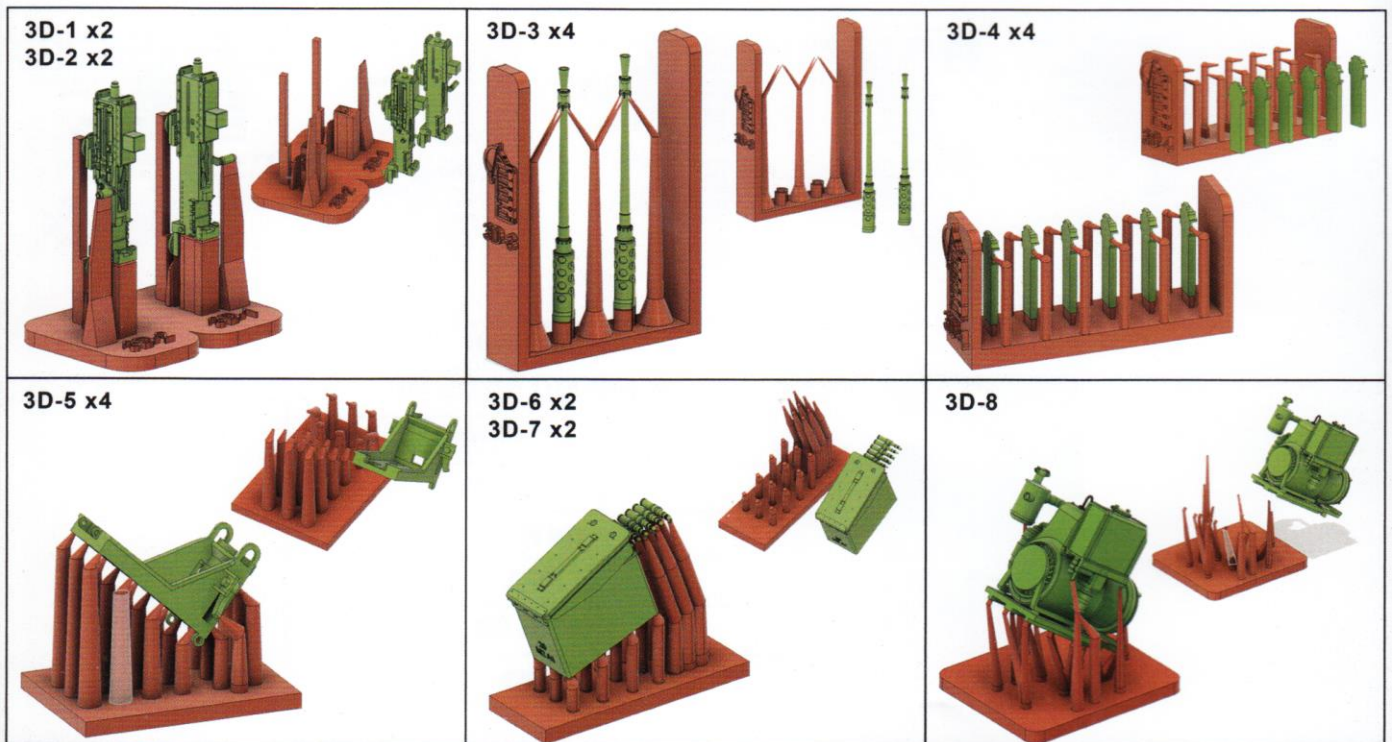
瞬間接着劑 (金屬用)
INSTANT GLUE FOR METAL
METALLKIEBER
COLLA A METAL INSTANTANEE
COLLA Istantanea per METALU
PIKALIMAA METALLIOSIA VARTEN
SNABBIM FOR METALLDELAR
金屬用速乾膠

A.MIG		COLOR NAME
0081	A	US OLIVE DRAB VIETNAM ERA
0033	B	RUBBER & TIRES
0926	C	OLIVE DRAB BASE
0045	D	GUN METAL
0191	E	STEEL
0093	F	CRISTAL RED
0197	G	BRASS



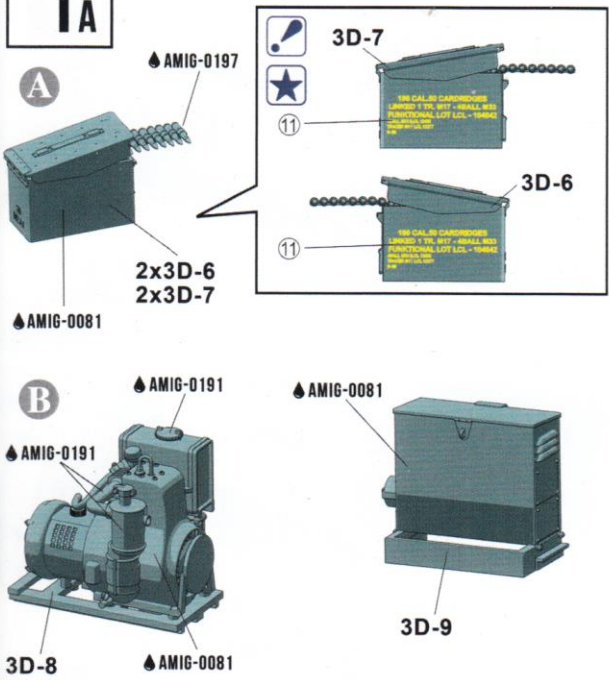
HOW TO CUT THE SUPPORTS ON THE 3D PRINTED PARTS

- TO REMOVE THE SUPPORTS OF THE 3D PRINTED PARTS, WE HIGHLY RECOMMEND TO USE A HOBBY SAW.
- REMOVE CAREFULLY EACH PARTS FROM THE SUPPORTS MARKED IN RED ON THE DRAWINGS BELOW.
- SAND THE EXCESS OF RESIN IF NECESSARY BEFORE ASSEMBLY THE PARTS TOGETHER.



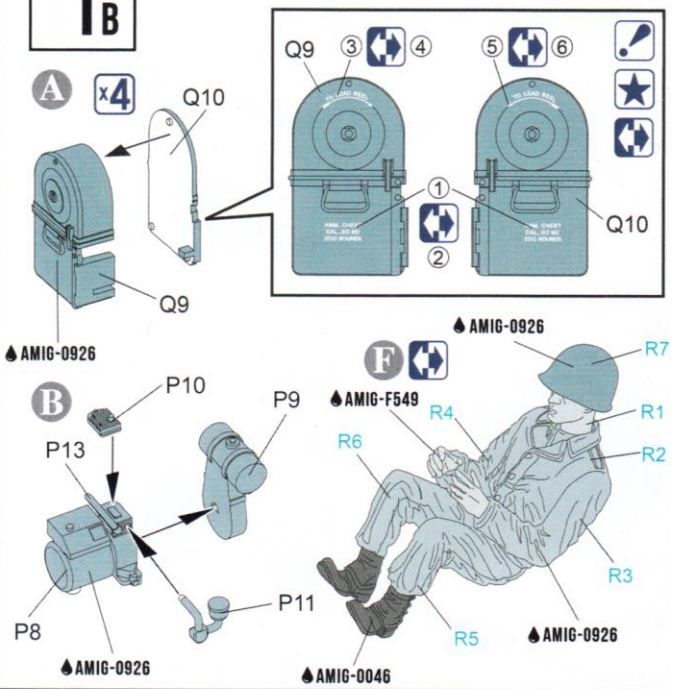
1A

VIETNAM VERSION

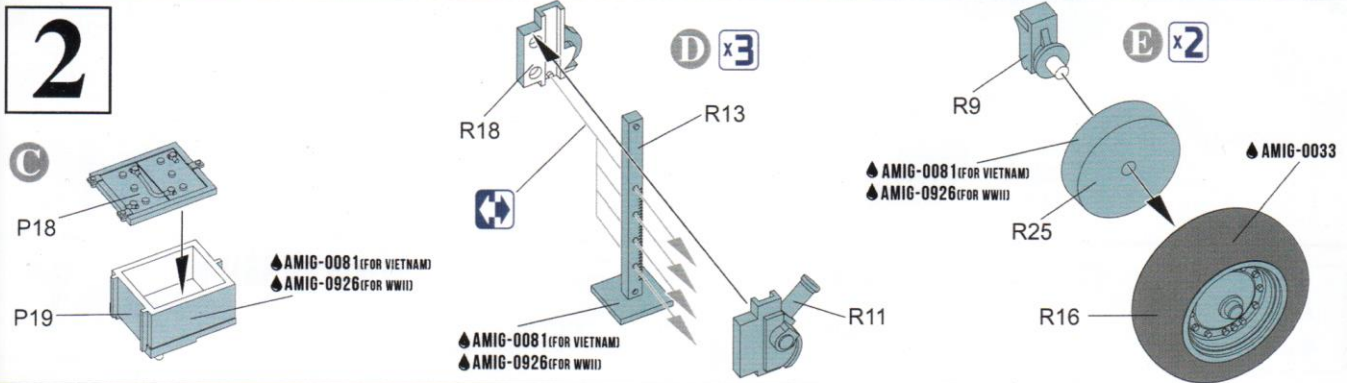


1B

WWII VERSION

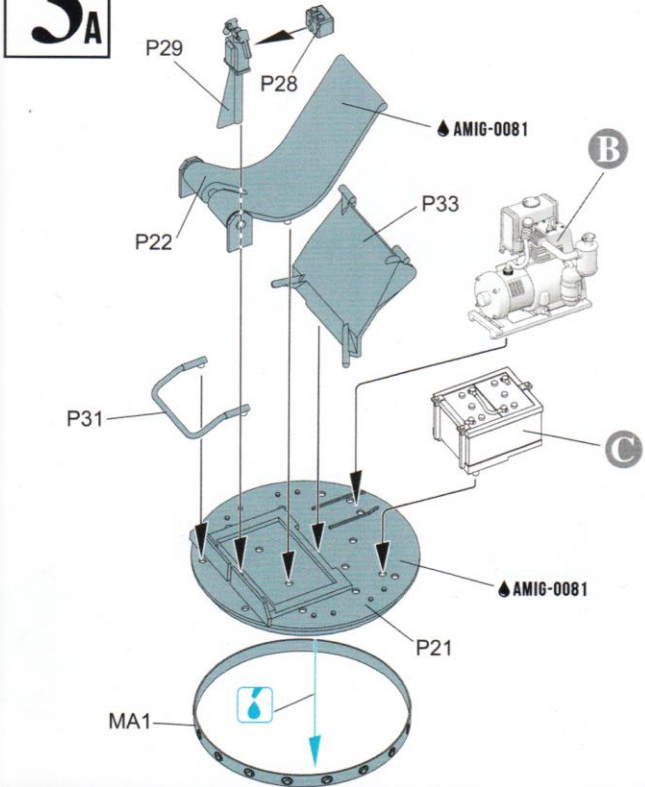


2



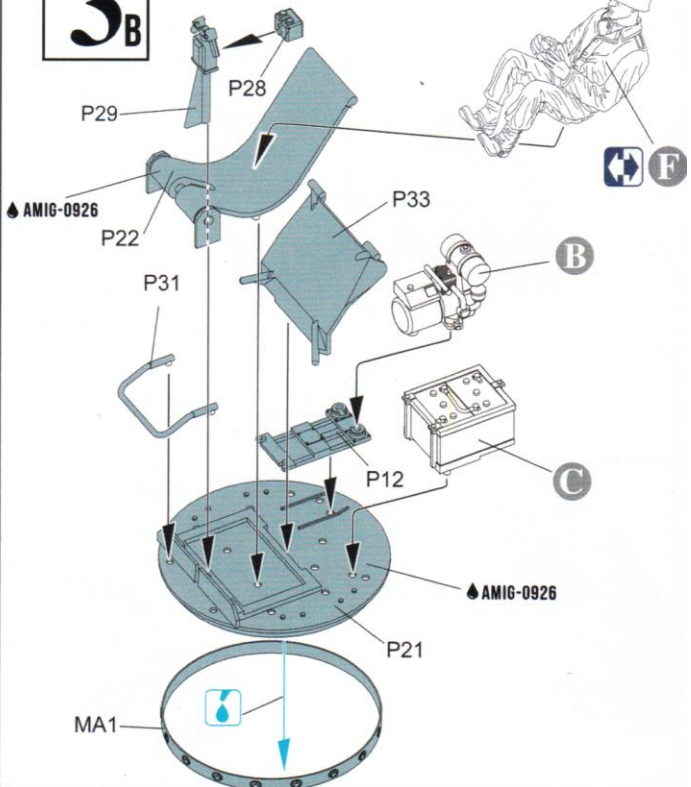
3A

VIETNAM VERSION



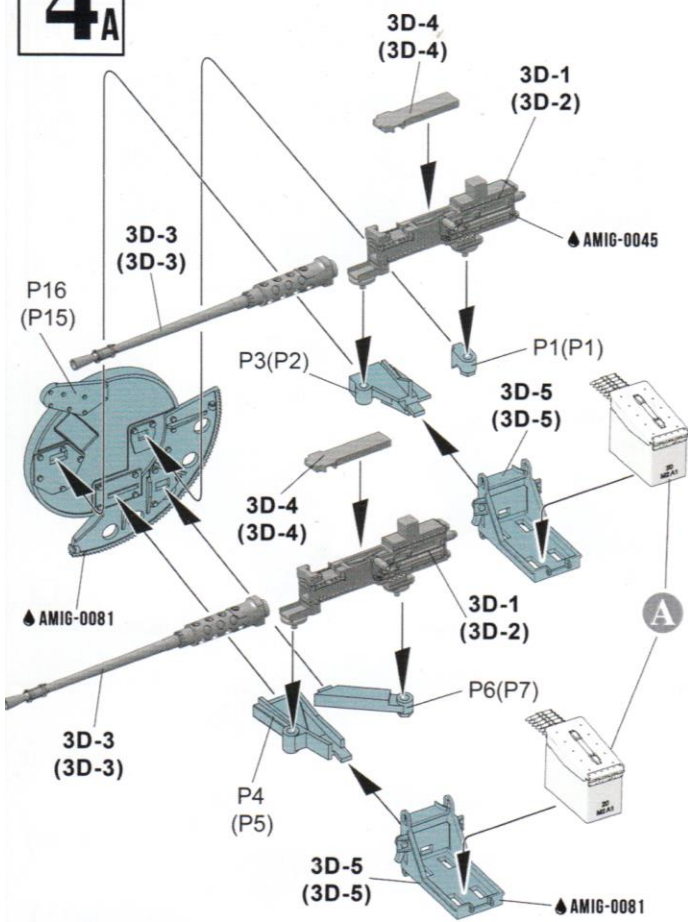
3B

WWII VERSION



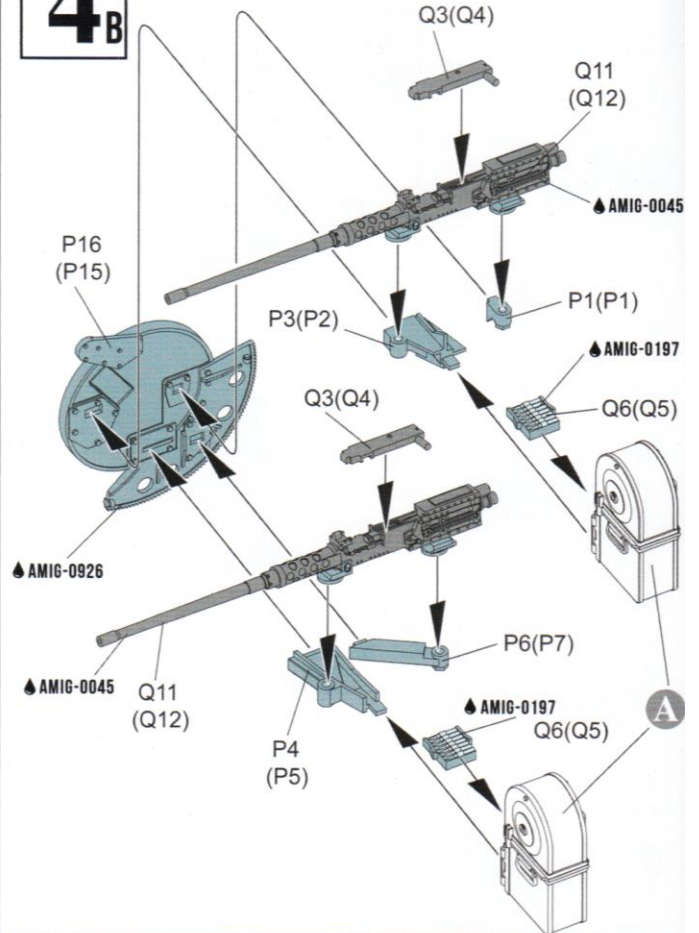
4A

VIETNAM VERSION



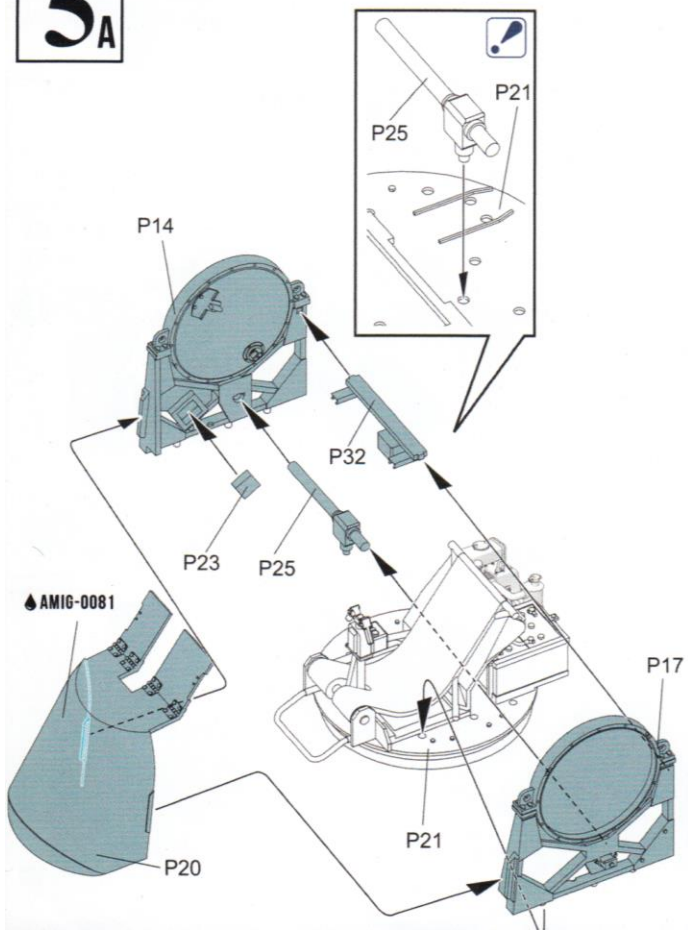
4B

WWII VERSION



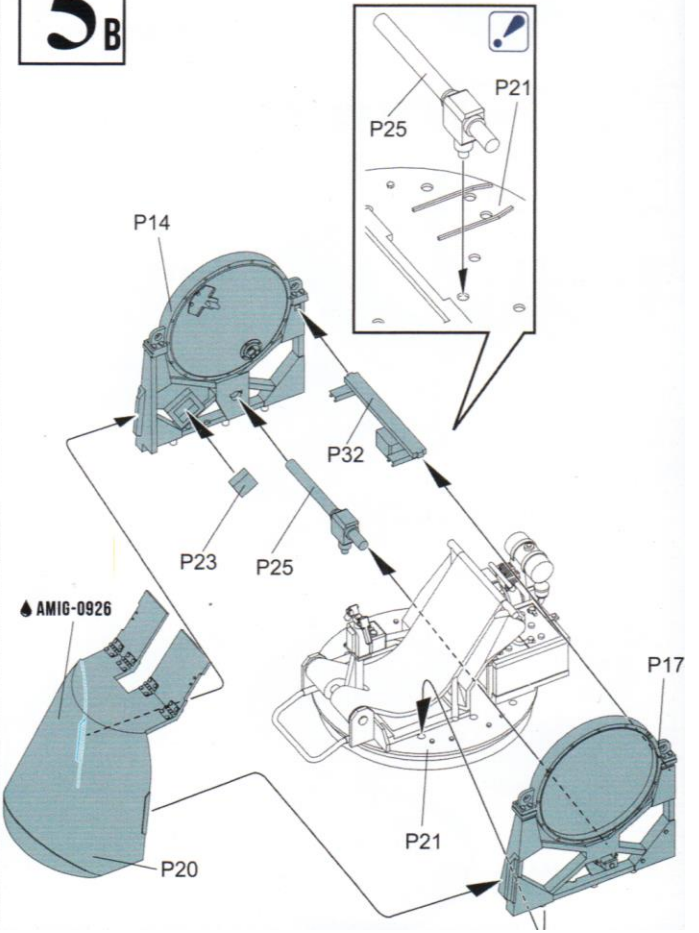
5A

VIETNAM VERSION



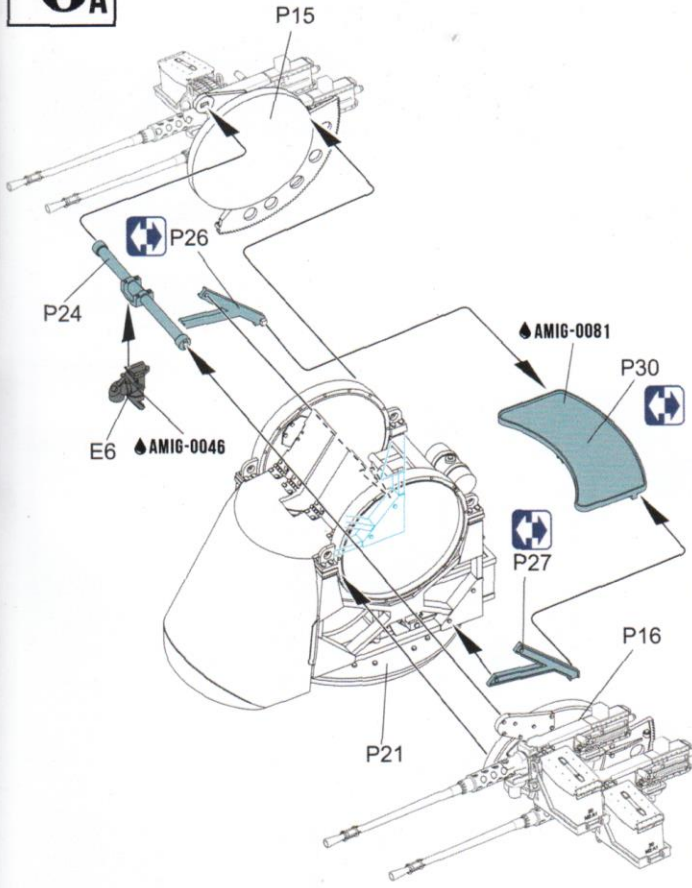
5B

WWII VERSION



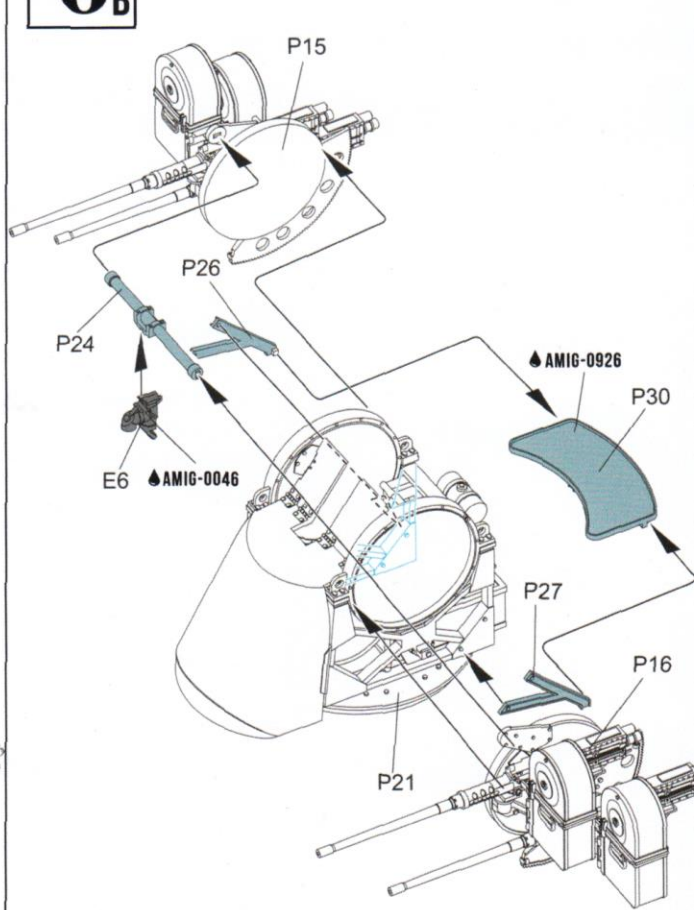
6A

VIETNAM VERSION

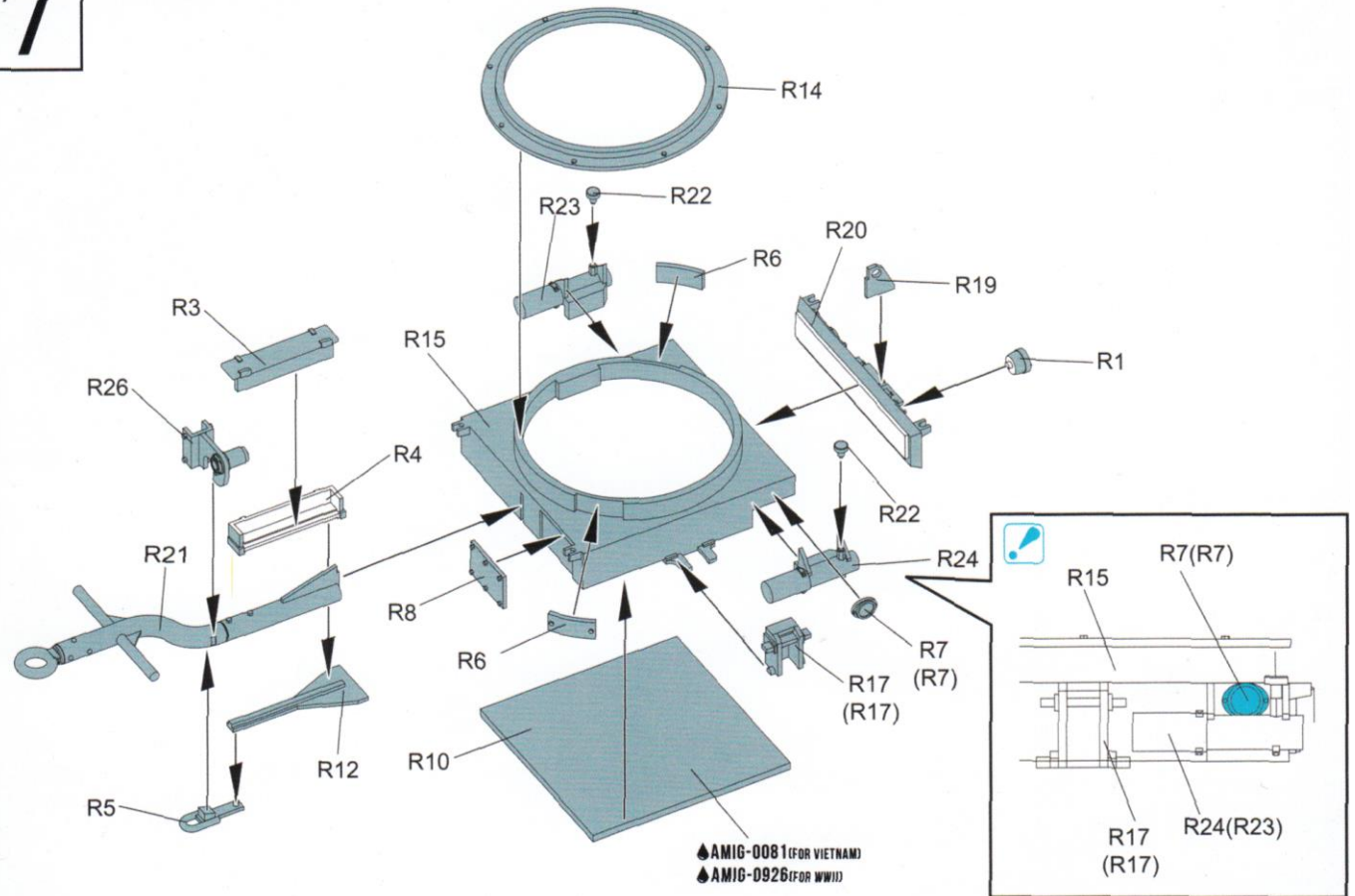


6B

WWII VERSION



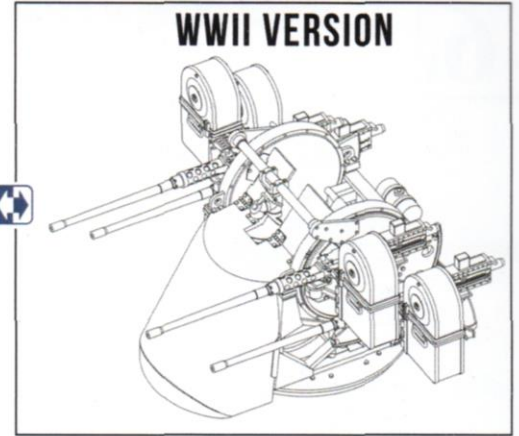
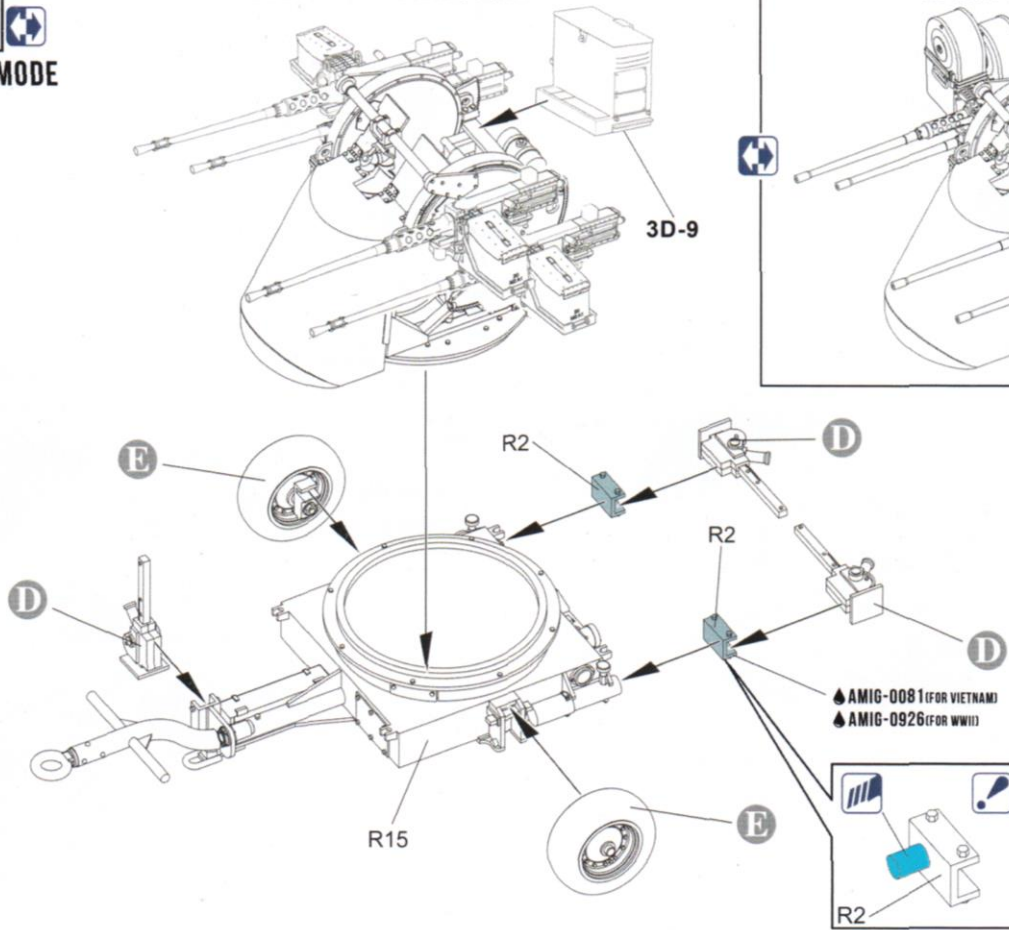
7



8

TOWING MODE

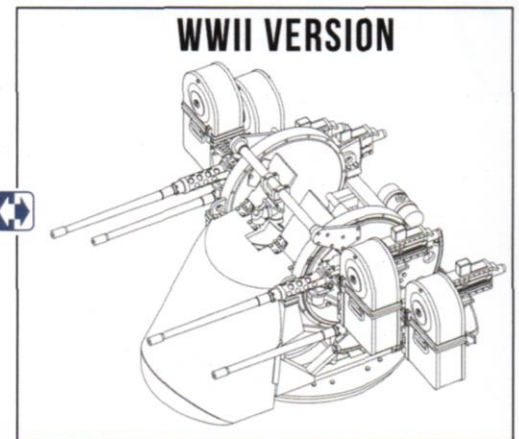
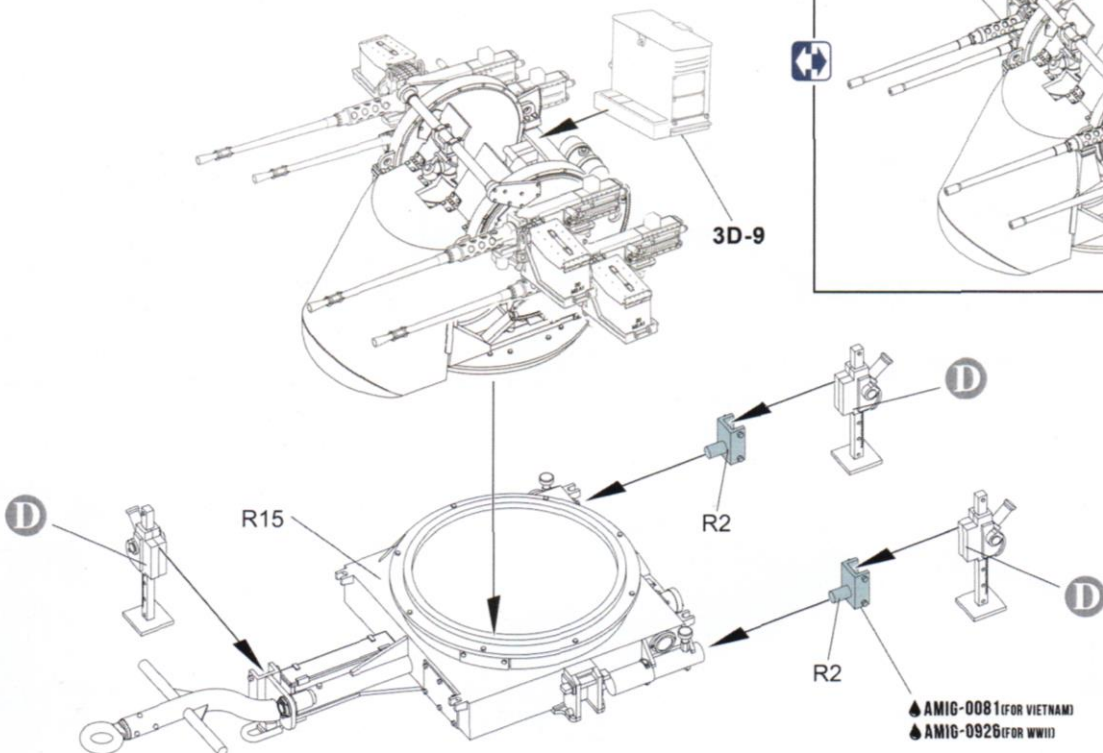
VIETNAM VERSION



8

FIRING MODE

VIETNAM VERSION



Painting and Marking Guide

VIETNAM VERSION

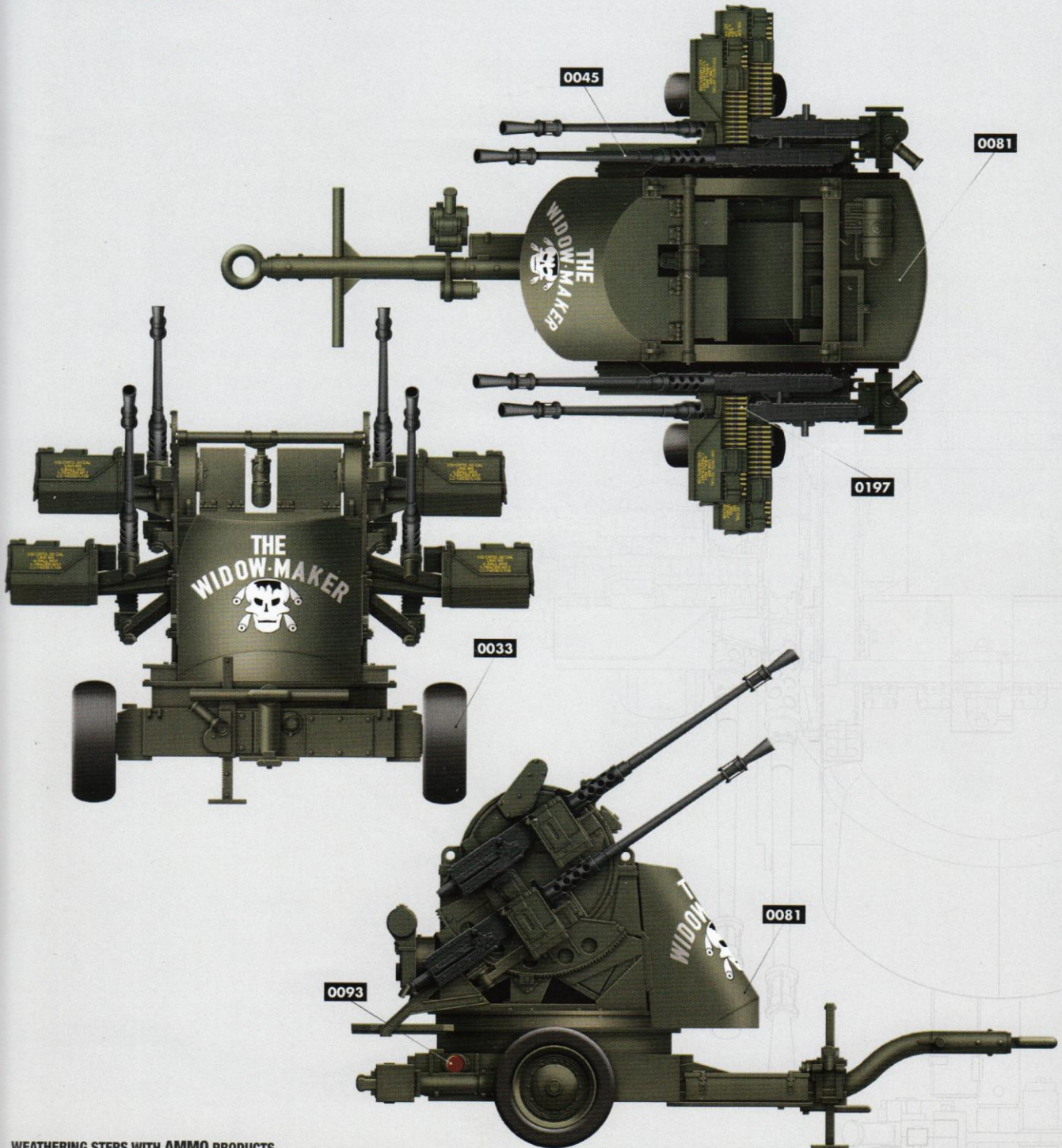
A.MIG-0033 Rubber & Tires

A.MIG-0045 Gun Metal

A.MIG-0081 US Olive Drab Vietnam ERA (FS 24087)

A.MIG-0093 Crystal Red

A.MIG-0197 Brass



WEATHERING STEPS WITH AMMO PRODUCTS

1 GENERAL WASH

A.MIG-1005 Dark Brown Wash for Green Vehicles

4 DETAILS HIGHLIGHT

A.MIG-0609 Drybrush Medium Olive Green

7 RAINMARKS

A.MIG-1258 Streakingbrusher Dust

10 DUST

A.MIG-3004 Europe Earth Pigment

13 FUEL

A.MIG-1753 Turned Dirt

2 FILTER

A.MIG-1508 Green for Grey Green

5 STREAKING

A.MIG-1203 Streaking Grime

8 TRACKS WASH

A.MIG-1002 Tracks Wash

11 MUD

A.MIG-1704 Heavy Earth

14 OIL

A.MIG-1408 Fresh Engine Oil

Painting and Marking Guide

VIETNAM VERSION

A.MIG-0033 Rubber & Tires

A.MIG-0045 Gun Metal

A.MIG-0081 US Olive Drab Vietnam ERA (FS 24067).

A.MIG-0093 Crystal Red

A.MIG-0197 Brass



WEATHERING STEPS WITH AMMO PRODUCTS

<p>1 GENERAL WASH A.MIG-1005 Dark Brown Wash for Green Vehicles</p>	<p>4 DETAILS HIGHLIGHT A.MIG-0609 Drybrush Medium Olive Green</p>	<p>7 RAINMARKS A.MIG-1258 Streakingbrusher Dust</p>	<p>10 DUST A.MIG-3004 Europe Earth Pigment</p>	<p>13 FUEL A.MIG-1753 Turned Dirt</p>
<p>2 FILTER A.MIG-1508 Green for Grey Green</p>	<p>5 STREAKING A.MIG-1203 Streaking Grime</p>	<p>8 TRACKS WASH A.MIG-1002 Tracks Wash</p>	<p>11 MUD A.MIG-1704 Heavy Earth</p>	<p>14 OIL A.MIG-1408 Fresh Engine Oil</p>

Painting and Marking Guide
VIETNAM VERSION

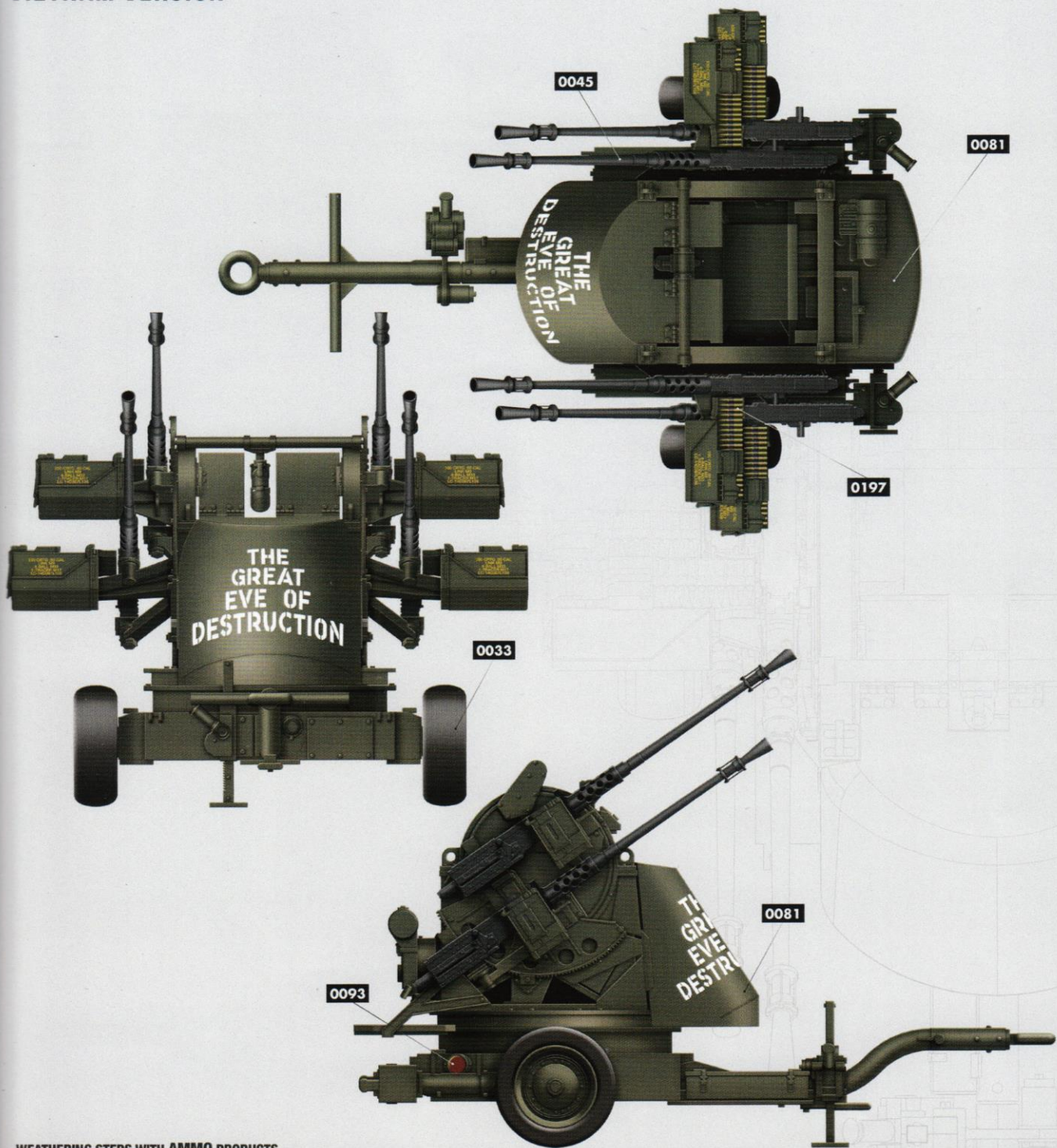
A.MIG-0033 Rubber & Tires

A.MIG-0045 Gun Metal

A.MIG-0081 US Olive Drab
Vietnam ERA
(FS 24087).

A.MIG-0093 Crystal Red

A.MIG-0197 Brass



WEATHERING STEPS WITH AMMO PRODUCTS

1 GENERAL WASH

A.MIG-1005 Dark Brown Wash for Green Vehicles

2 FILTER

A.MIG-1508 Green for Grey Green

4 DETAILS HIGHLIGHT

A.MIG-0609 Drybrush Medium Olive Green

5 STREAKING

A.MIG-1203 Streaking Grime

7 RAINMARKS

A.MIG-1258 Streakingbrusher Dust

8 TRACKS WASH

A.MIG-1002 Tracks Wash

10 DUST

A.MIG-3004 Europe Earth Pigment

11 MUD

A.MIG-1704 Heavy Earth

13 FUEL

A.MIG-1753 Turned Dirt

14 OIL

A.MIG-1408 Fresh Engine Oil

Painting and Marking Guide

WWII VERSION

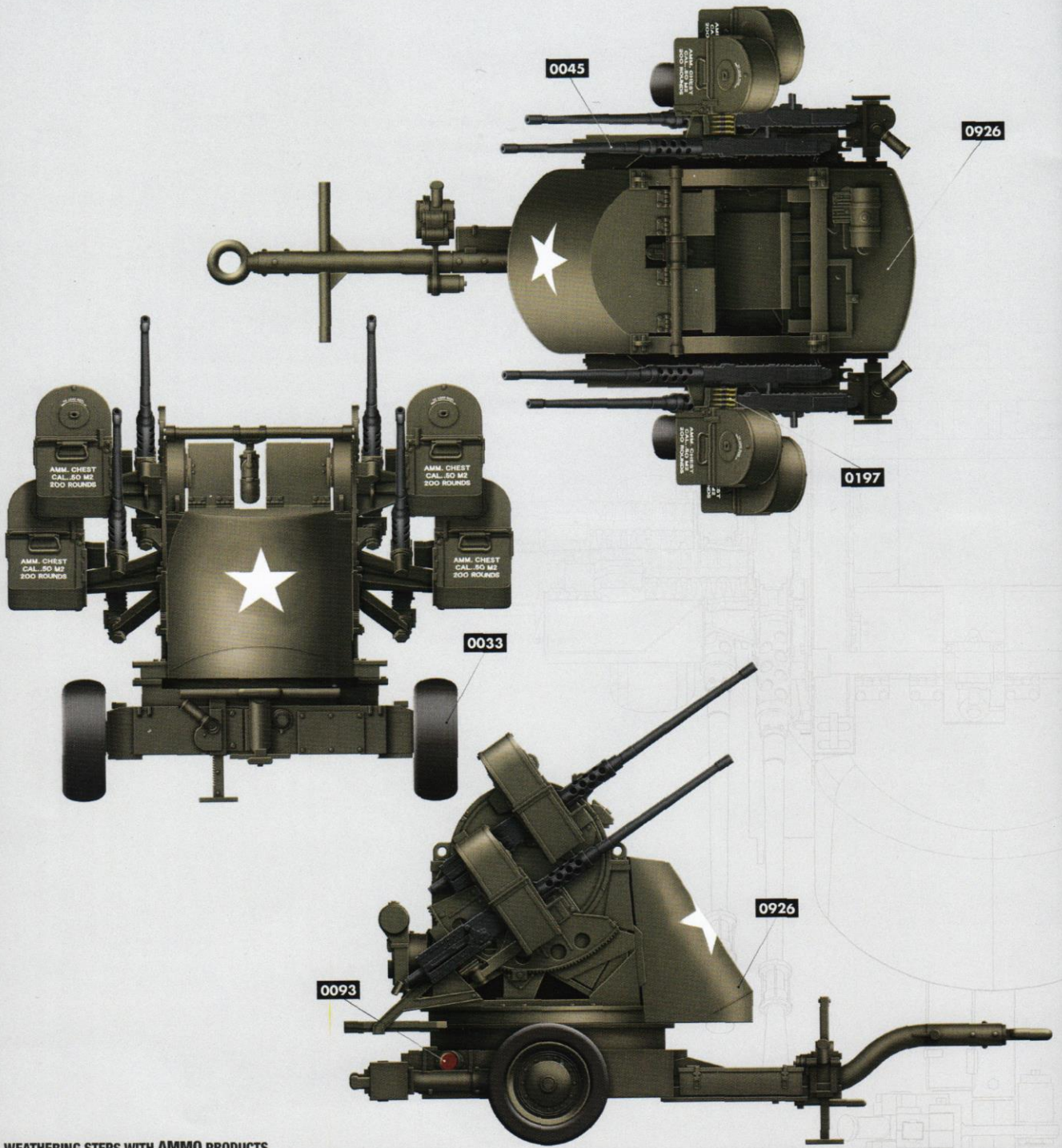
A.MIG-0033 Rubber & Tires

A.MIG-0045 Gun Metal

A.MIG-0093 Crystal Red

A.MIG-0197 Brass

A.MIG-0926 Olive Drab Base



WEATHERING STEPS WITH AMMO PRODUCTS

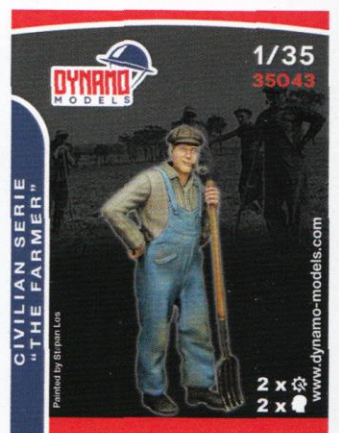
<p>1 GENERAL WASH A.MIG-1005 Dark Brown Wash for Green Vehicles</p>	<p>4 STREAKING A.MIG-1203 Streaking Grime</p>	<p>7 DUST A.MIG-3012 Sand Pigment</p>	<p>10 SPLASHES A.MIG-1751 Dry Steppe</p>
<p>2 FILTER A.MIG-1508 Green for Grey Green</p>	<p>5 RAINMARKS A.MIG-1258 Streakingbrusher Dust</p>	<p>8 MUD A.MIG-1702 Turned Earth</p>	<p>11 OIL A.MIG-1408 Fresh Engine Oil</p>

PRODUCTS ALSO AVAILABLE

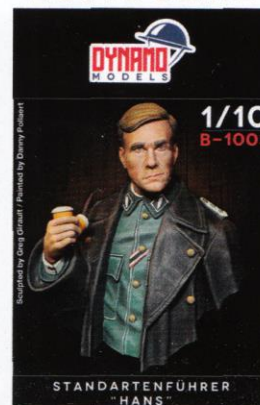
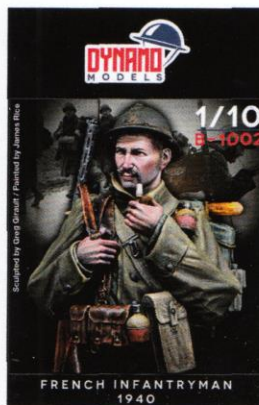
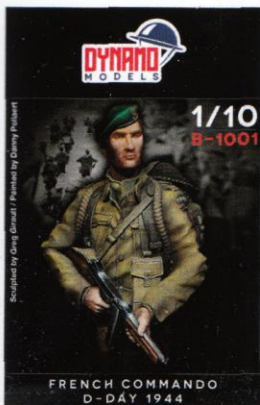
1/35 RESIN FIGURES (SUITABLE FOR THE M55 QUAD GUN)



1/35 RESIN FIGURES (ALSO AVAILABLE IN 1/48 & 1/72)



BUSTS SERIE



Special thanks to :

- Black Cat Models (3D print parts)
- Sylvain Bollier (graphics and design)
- Émilien «Eldiablo» Pépin (test build)
- Ammo By Mig (color chart)



www.dynamo-models.com