



# BÜCKER 133 A/C

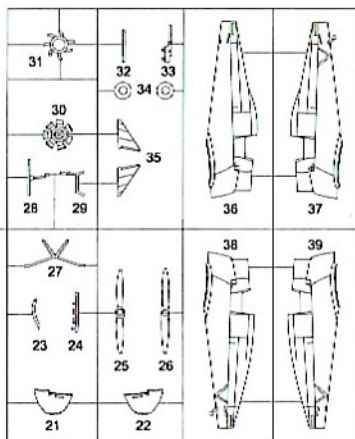
1/72  
SCALE

The Bucker Bu 133 Jungmeister was an advanced trainer of the Luftwaffe in the 1930s. It was a single-engine, single-seat biplane of wood and tubular steel construction and covered in fabric. The Bu 133 was a development of the Bucker Bu 131 Jungmann two-seat basic trainer. First flown in 1935 (by Luise Hoffmann, the first female works pilot in Germany), it was slightly smaller than the Bu 131. The prototype, D-EVEO, was powered by a 140 hp (104 kW) Hirth HM506 inverted, air-cooled inline-6 engine. The aircraft showed "astonishing agility" at its first public appearance, the 1936 International Aerobatic Championship at Rangsdorf, but the Bu 133A garnered no orders; only two Bu 133Bs, with 160hp (119 kW) version of that same Hirth HM506 inline-6 engine, were built.

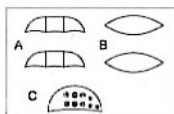
RS  
MODELS

92270

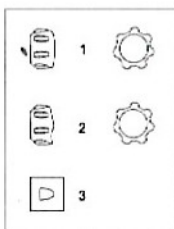
## PLASTIC PARTS



## INSTRUMENTS



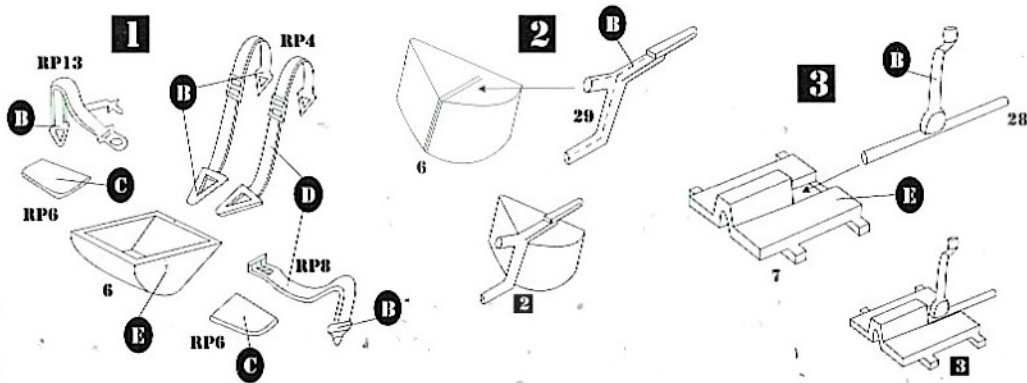
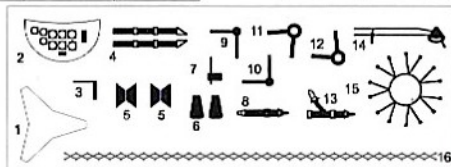
## POLYURETHAN PARTS (PUR)



## COLORS

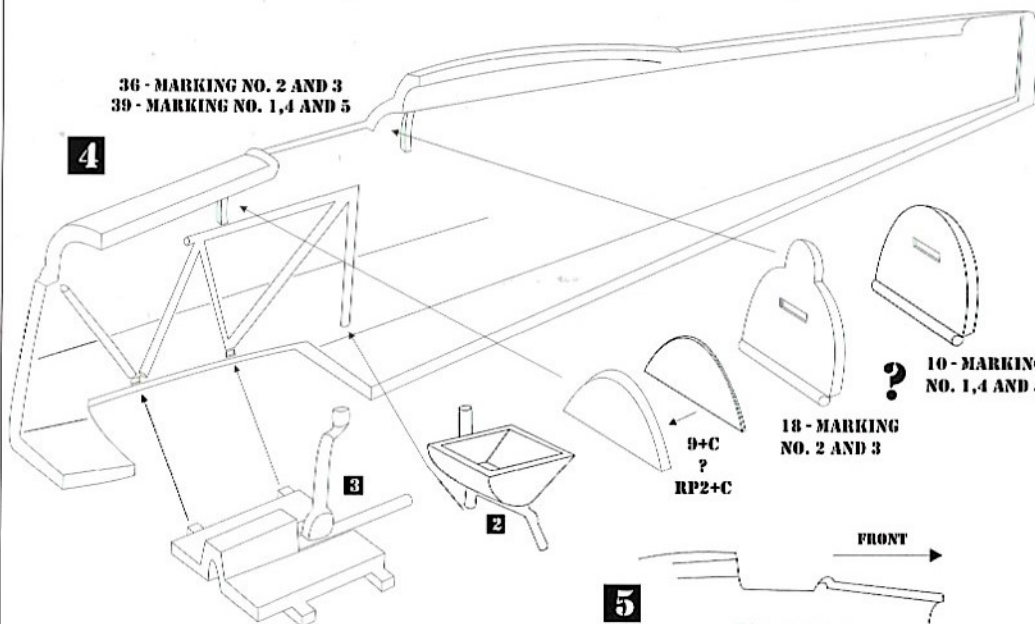


## PHOTO-ETCHED PARTS (PP)



36 - MARKING NO. 2 AND 3  
39 - MARKING NO. 1,4 AND 5

**4**



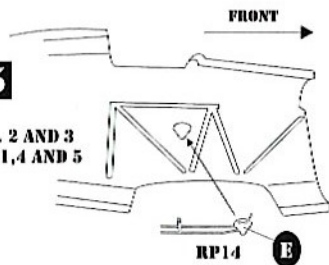
**?** 10 - MARKING NO. 1,4 AND 5

18 - MARKING NO. 2 AND 3

9+C  
?  
RP2+C

37 - MARKING NO. 2 AND 3  
38 - MARKING NO. 1,4 AND 5

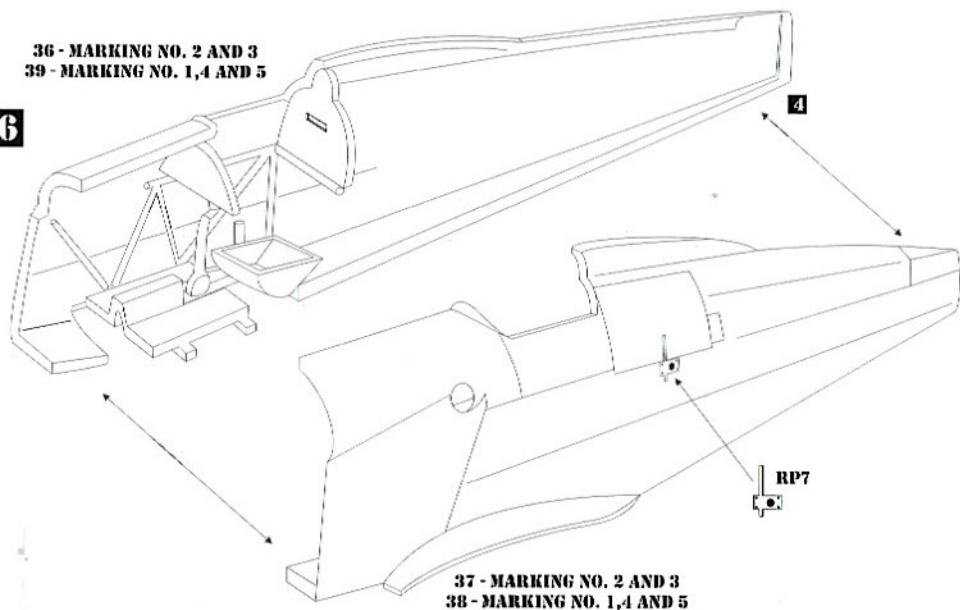
**5**



RP14 **E**

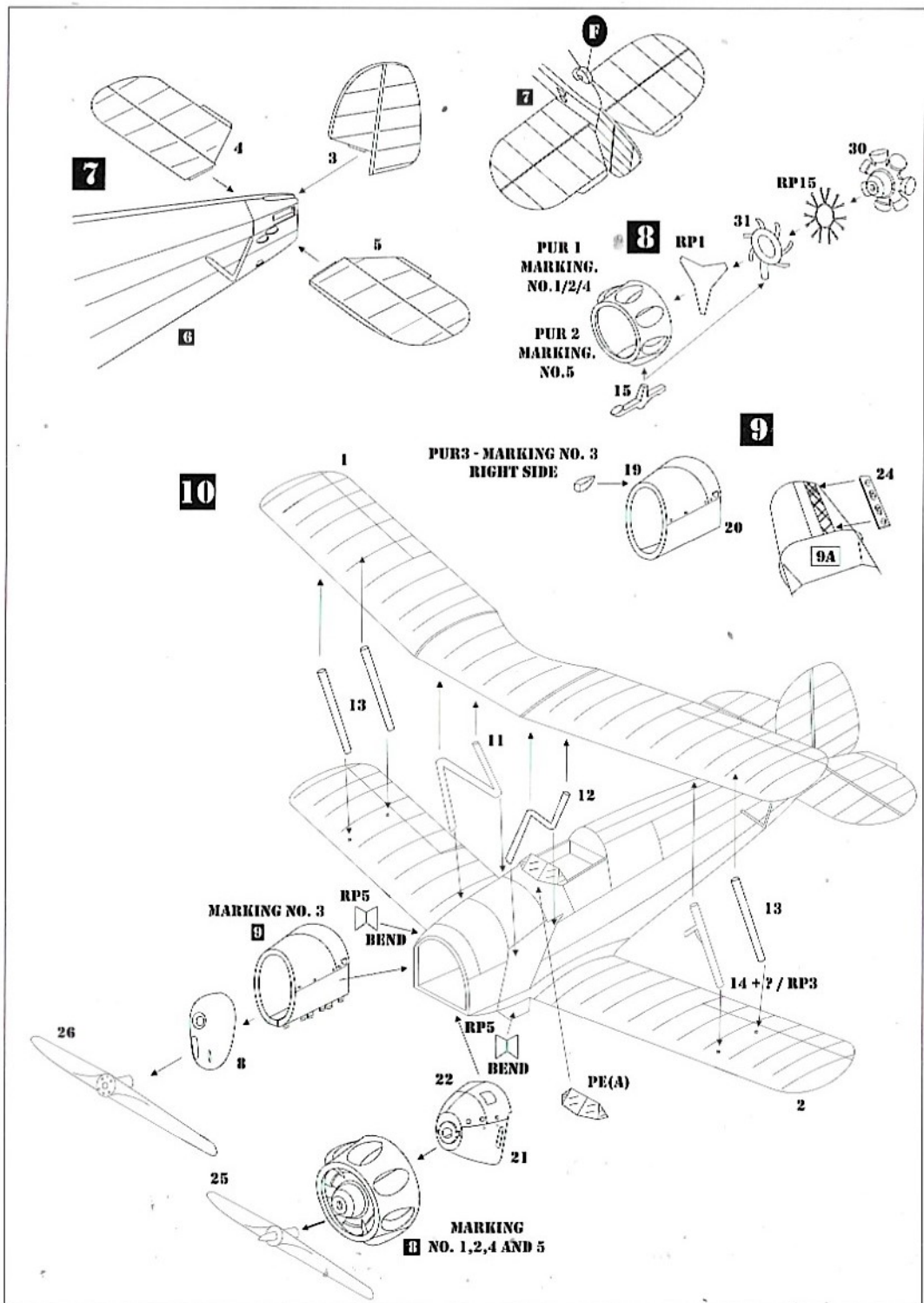
36 - MARKING NO. 2 AND 3  
39 - MARKING NO. 1,4 AND 5

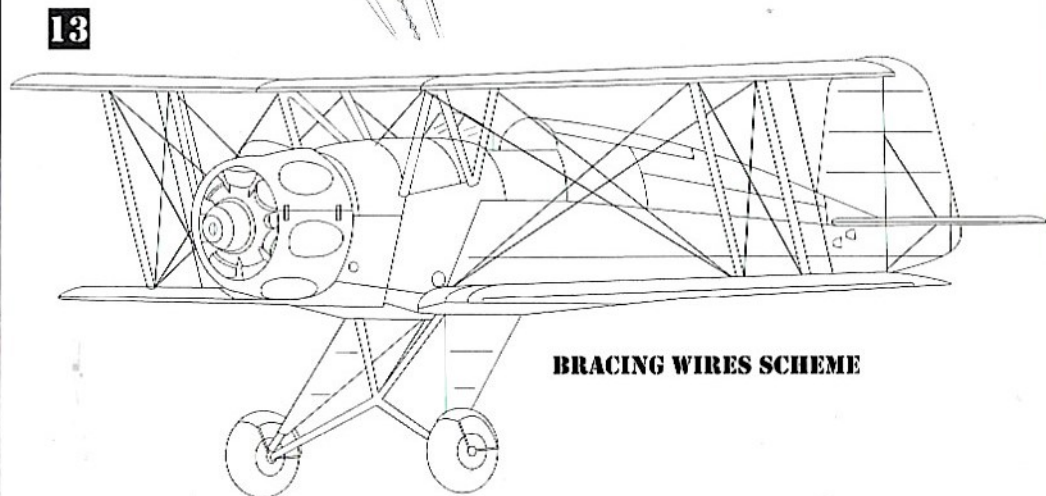
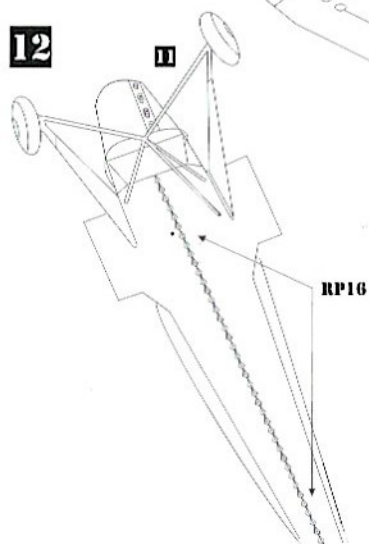
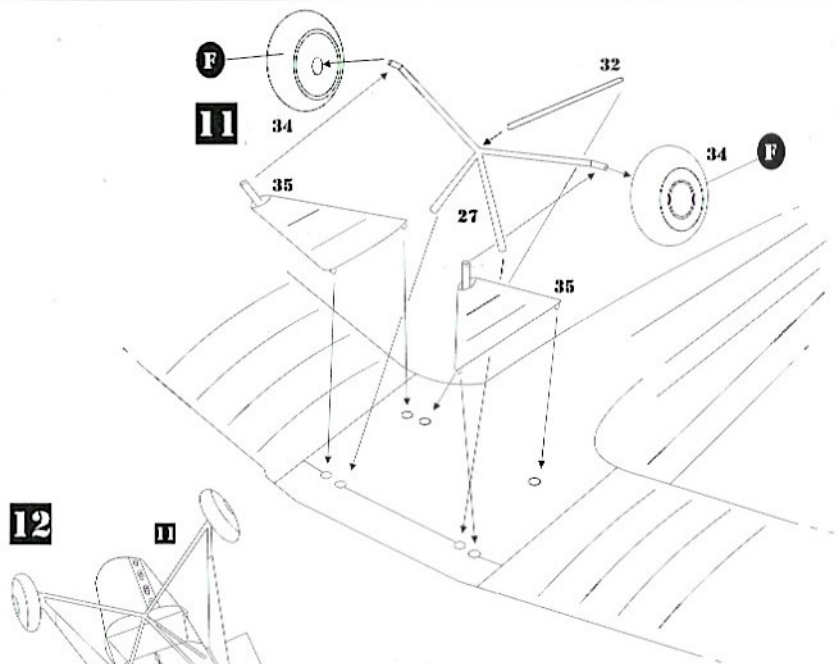
**6**

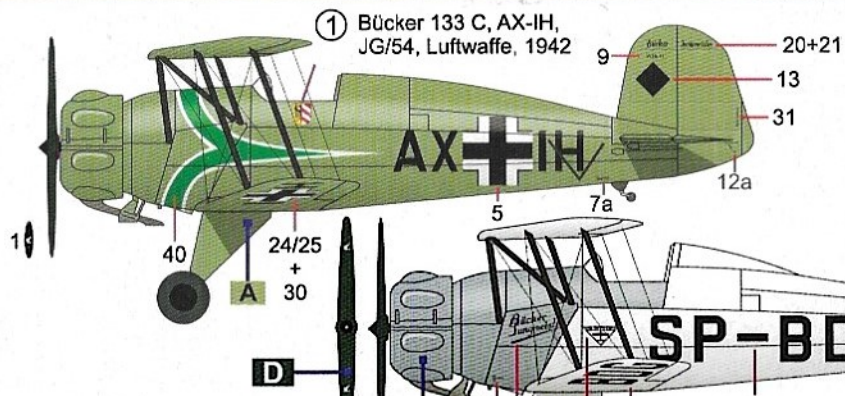


37 - MARKING NO. 2 AND 3  
38 - MARKING NO. 1,4 AND 5

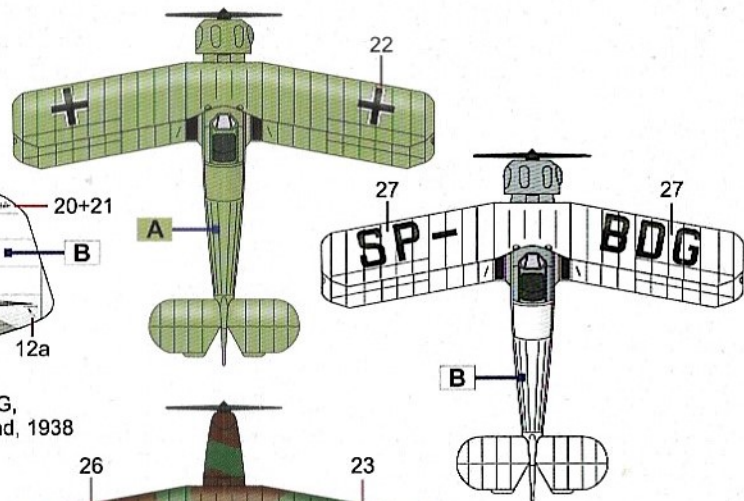
RP7 **E**



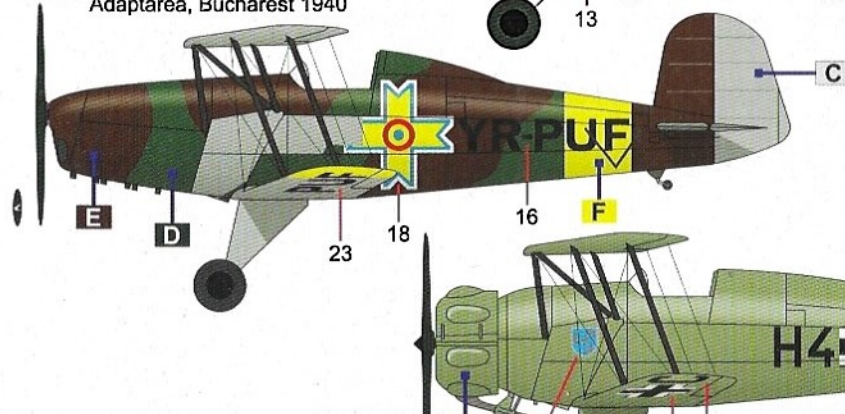




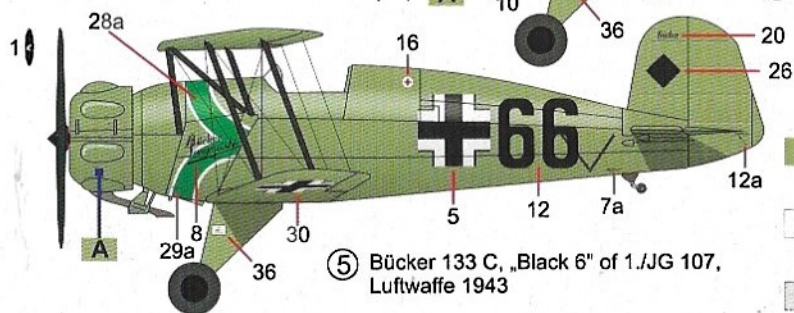
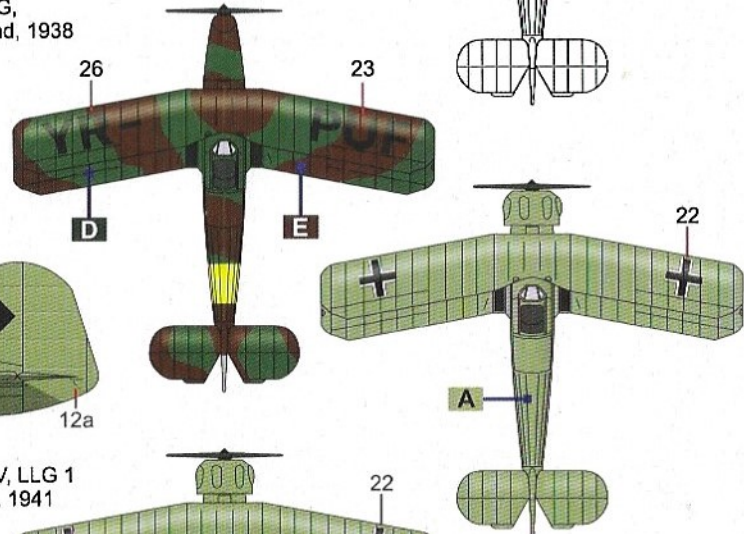
② Bücker 133 C, SP-BDG, airfield Mokotów, Poland, 1938



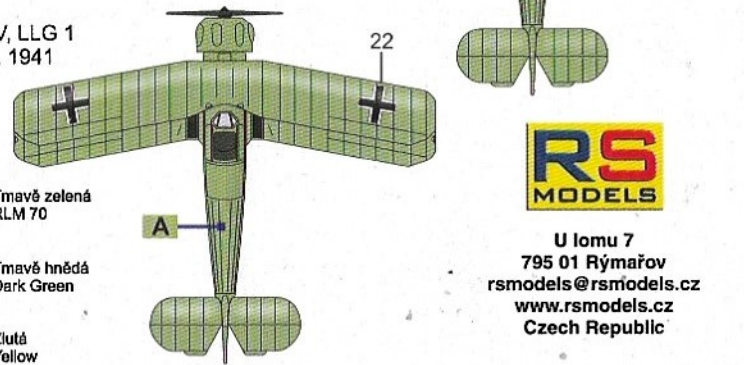
③ Bücker 133 A, YR-PUF, Adaptarea, Bucharest 1940



④ Bücker 133 C, Stab. IV, LLG 1 Kragujevac, Luftwaffe, 1941



⑤ Bücker 133 C, „Black 6” of 1./JG 107, Luftwaffe 1943



- |                                  |                                 |
|----------------------------------|---------------------------------|
| <b>A</b> RLM 63                  | <b>D</b> Tmavě zelená RLM 70    |
| <b>B</b> Perlově bílá Pearlweiss | <b>E</b> Tmavě hnědá Dark Green |
| <b>C</b> Hliník Aluminium        | <b>F</b> Žlutá Yellow           |

**RS**  
MODELS

U lomu 7  
795 01 Rýmařov  
rsmodels@rsmodels.cz  
www.rsmodels.cz  
Czech Republic

# Bü-133 A/C

## „Jungmeister“



92270

1:72 SCALE  
PLASTIC KIT

**RS**  
MODELS