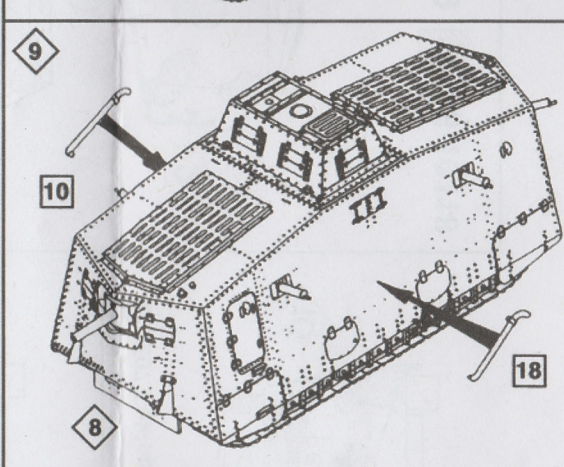
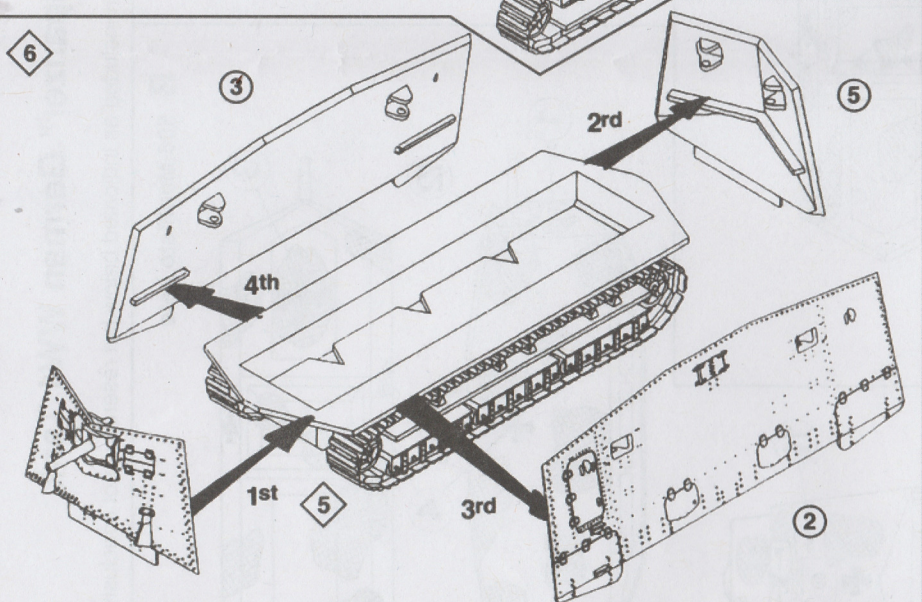
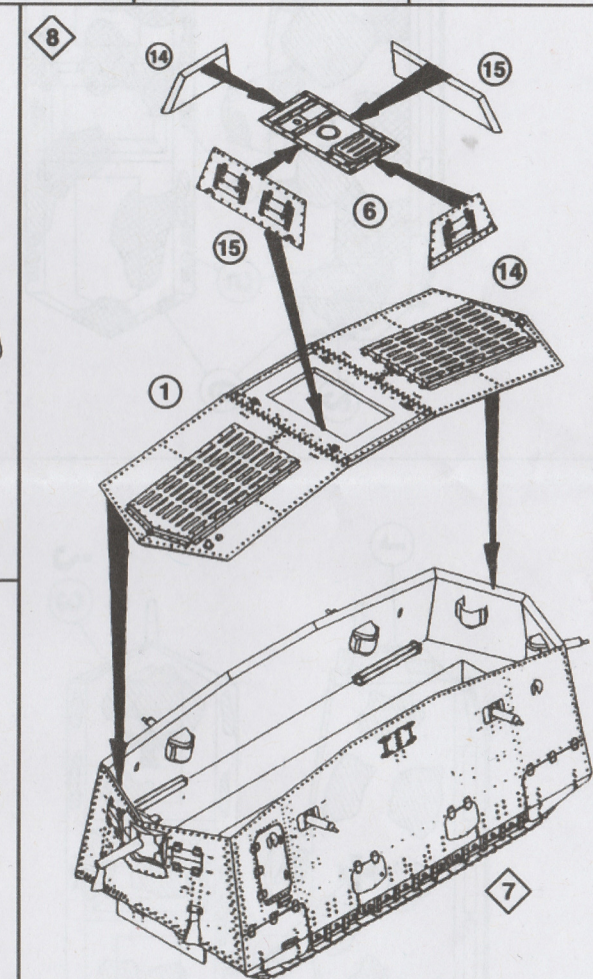
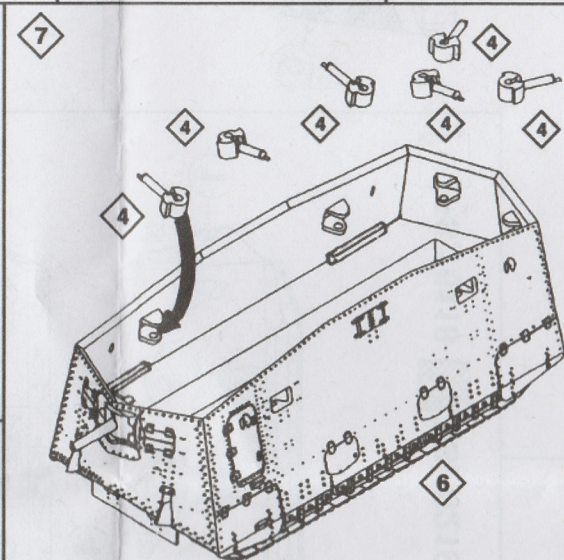
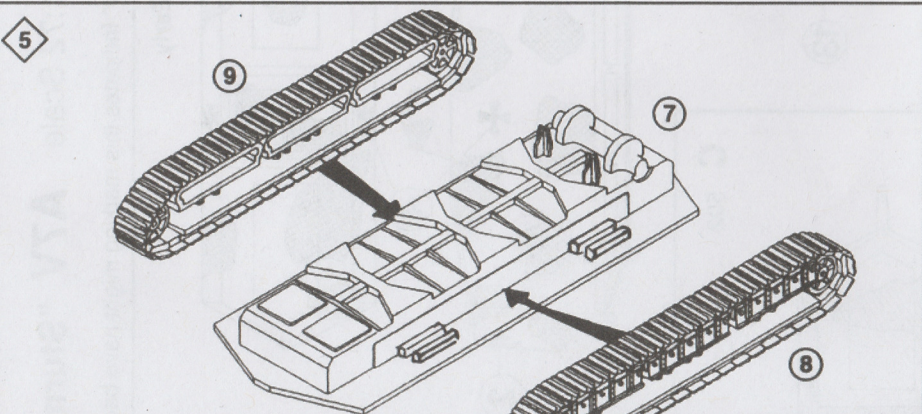
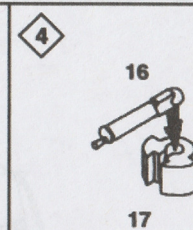
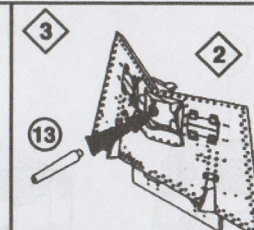
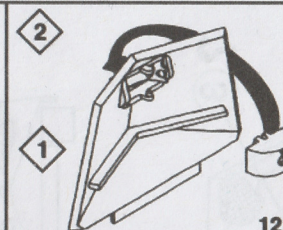
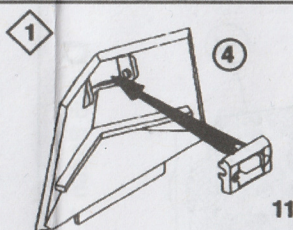


EMHAR**A7V "STURMPANZER" GERMAN WW1 TANK**

EM 5003

1:72 Scale

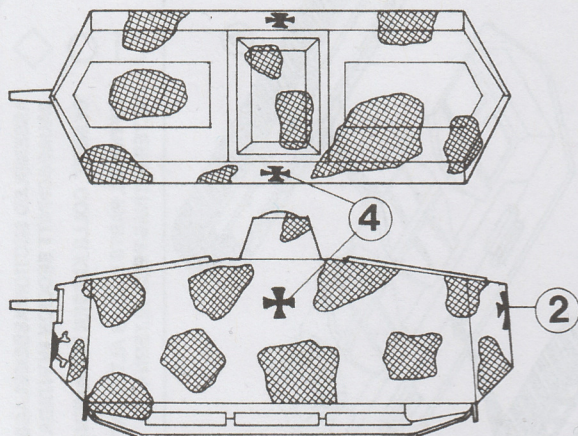
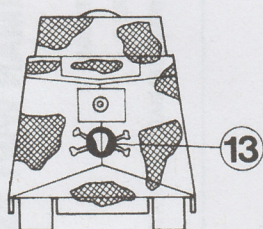
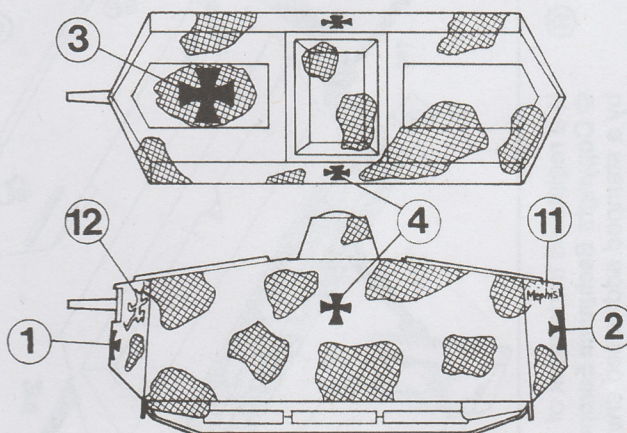
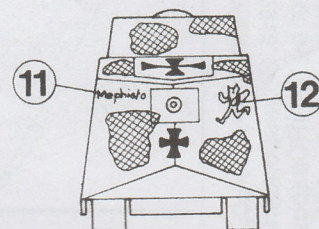
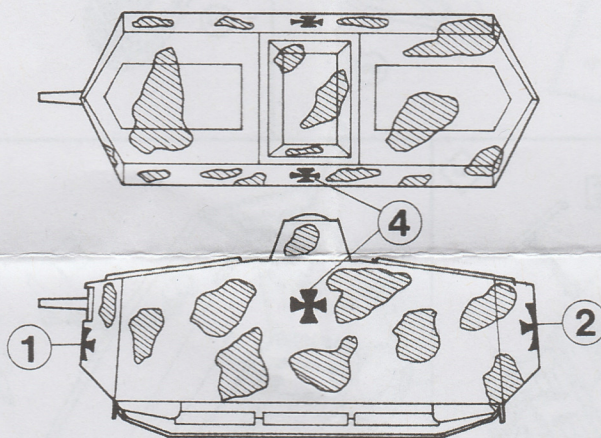
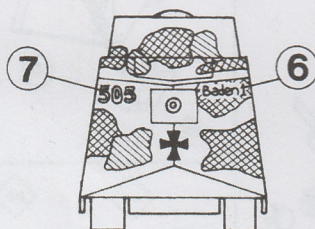
- ◇ ASSEMBLED SECTION/ASSEMBLAGE/
BAUABSCHNITT SECCION MONTADA MONTAGGIO
- CEMENT COLLE KLEBEN PEGAMENTO COLLA
- OPTIONAL PARTS PIECES ALTERNATIVES WECHSELBAUTEIL PARTES
ALTERNATIVAS PEZZI ALTERNATIVI

**EMHAR** ®

is a registered trade mark of BACHMANN EUROPE PLC, 13 MOAT WAY, BARWELL, LE9 8EY, ENGLAND.
 © Copyright Bachmann Europe PLC 2016. Correspondence requiring a reply must be accompanied
 by a stamped addressed envelope or by two IRCs (postal Internation Reply Coupons).
 Requests for replacements of defective parts should be accompanied by the defective part.

EM 5003

"?" Indicates this marking might have been included as indicated below, but research is not conclusive on this point.

A 506 Mephisto Early**B 506 Mephisto Late****C 502****D 505 Baden 1****E 507 Cyklop**