

1/48 SCALE MODEL CONSTRUCTION KIT

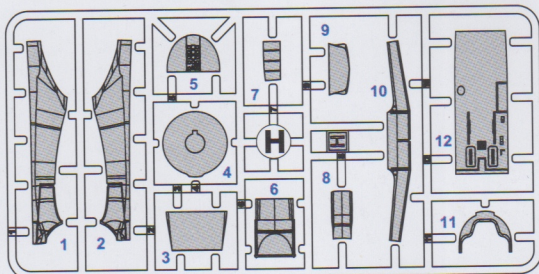
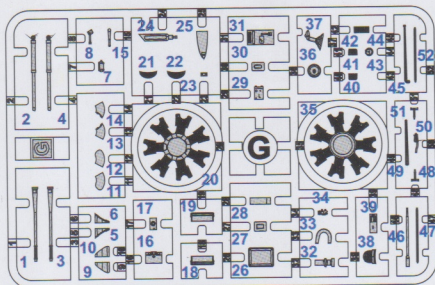
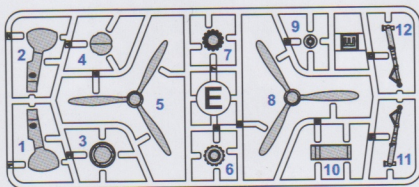
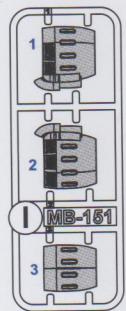
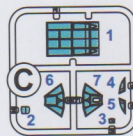
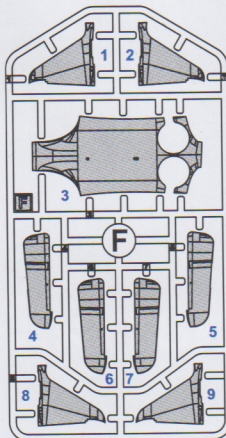
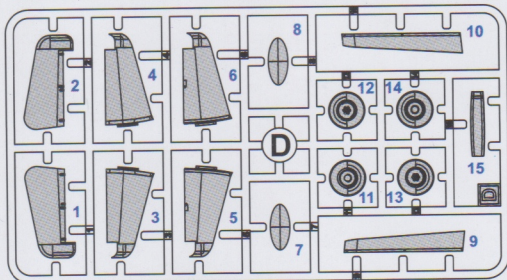
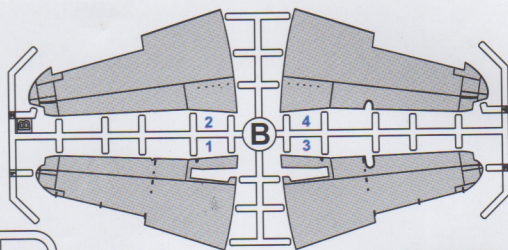
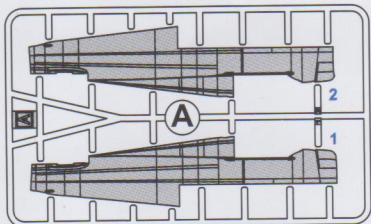


Marcel-Bloch M.B.151

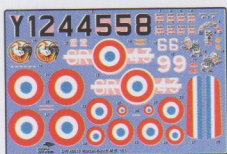
DW 48017

PARTS OF THE MODEL

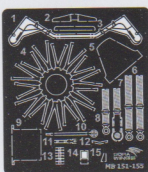
In memory of our friend Joël Ducasse - 1957-2019
 The model was created according to the original drawings developed by
 by Joël Ducasse in collaboration with Billault Sosthène Waroff



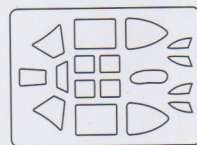
Decal



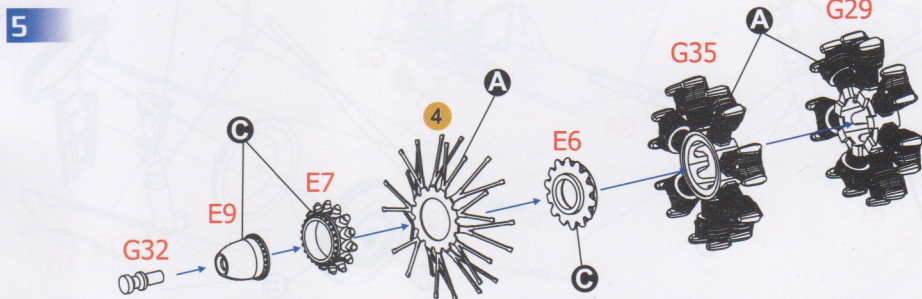
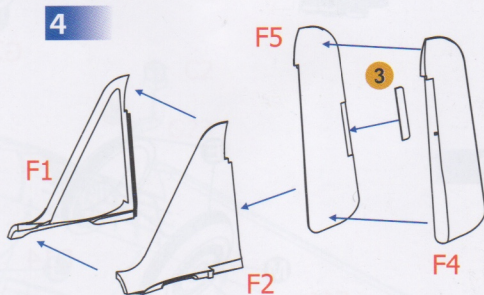
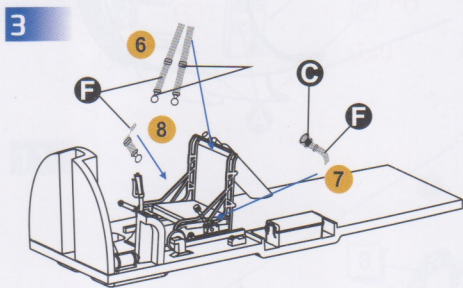
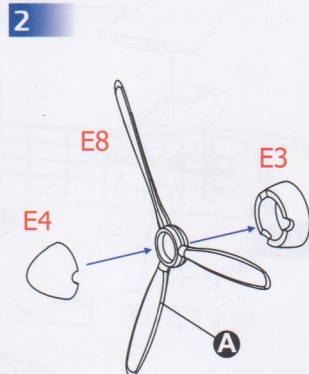
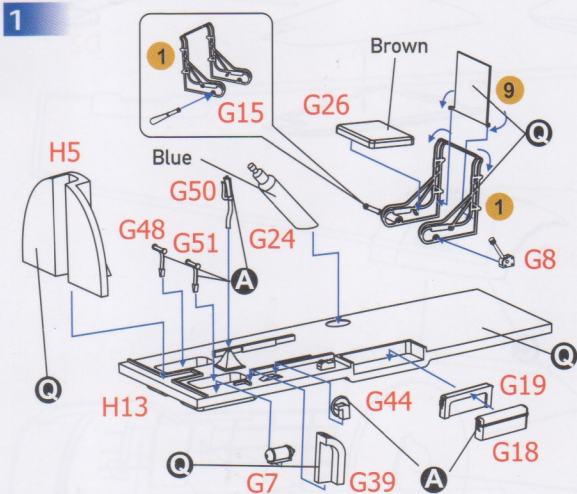
PE



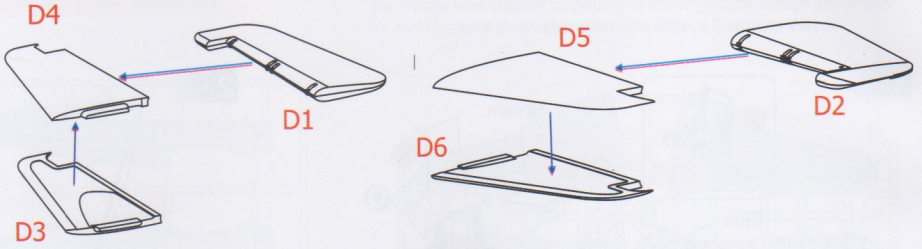
Mask



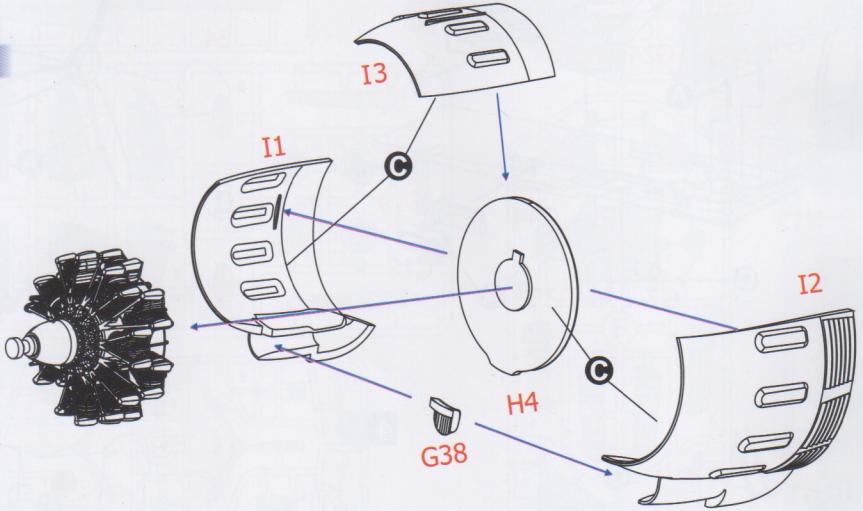
ASSEMBLY INSTRUCTION



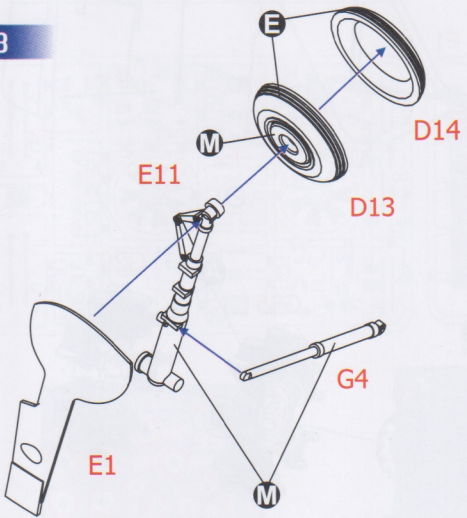
6



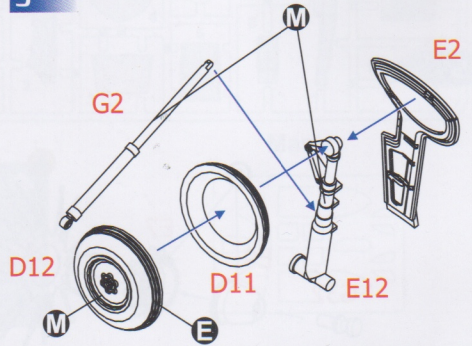
7



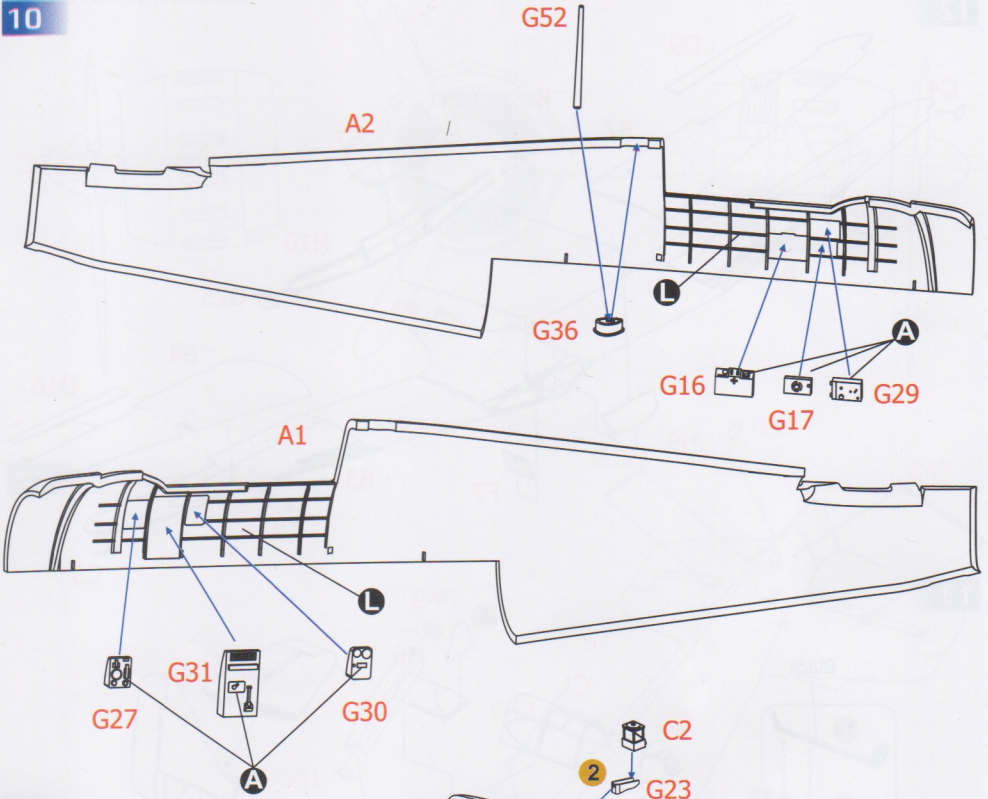
8



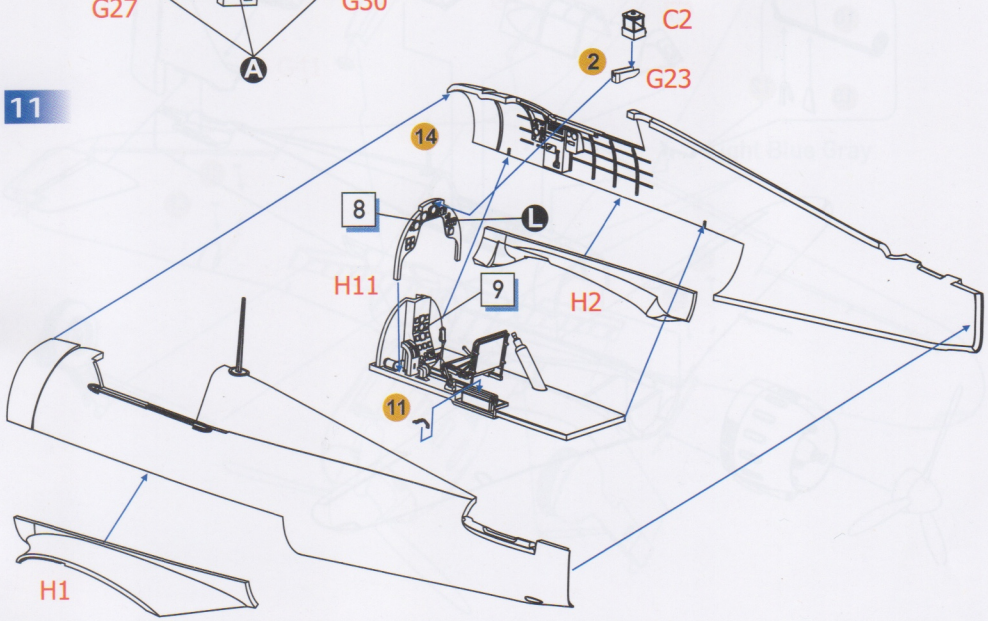
9



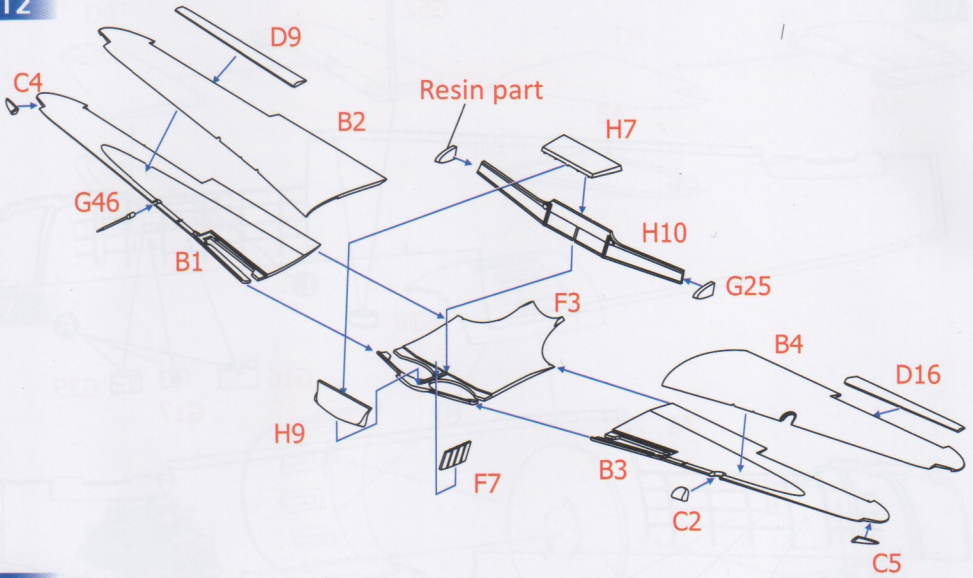
10



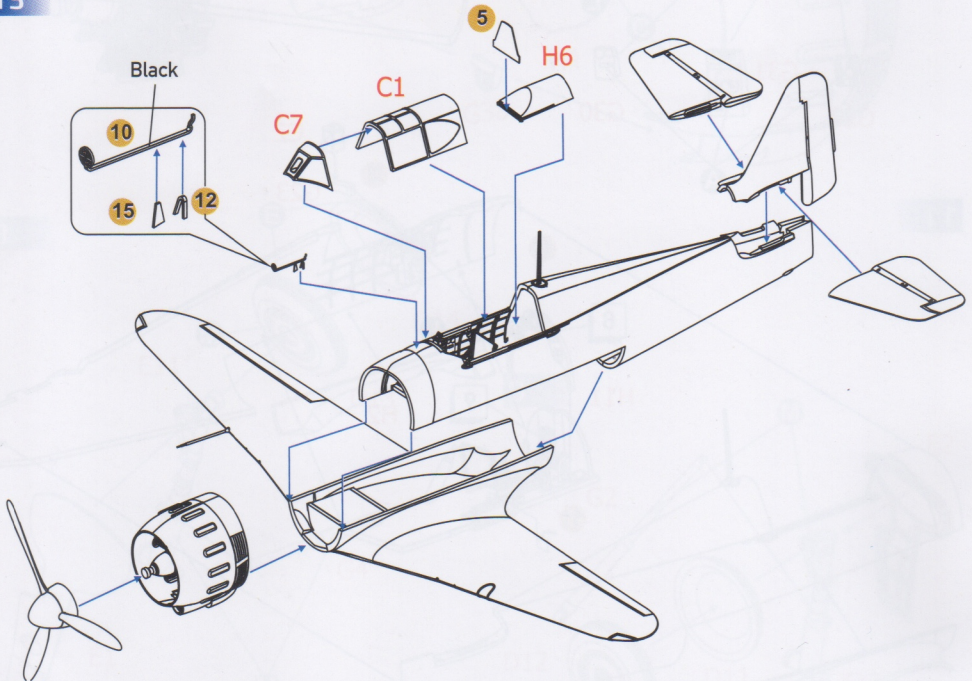
11



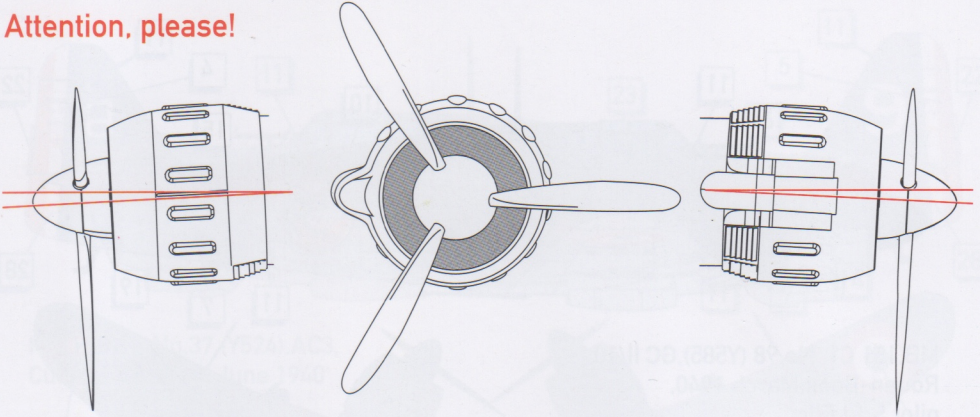
12



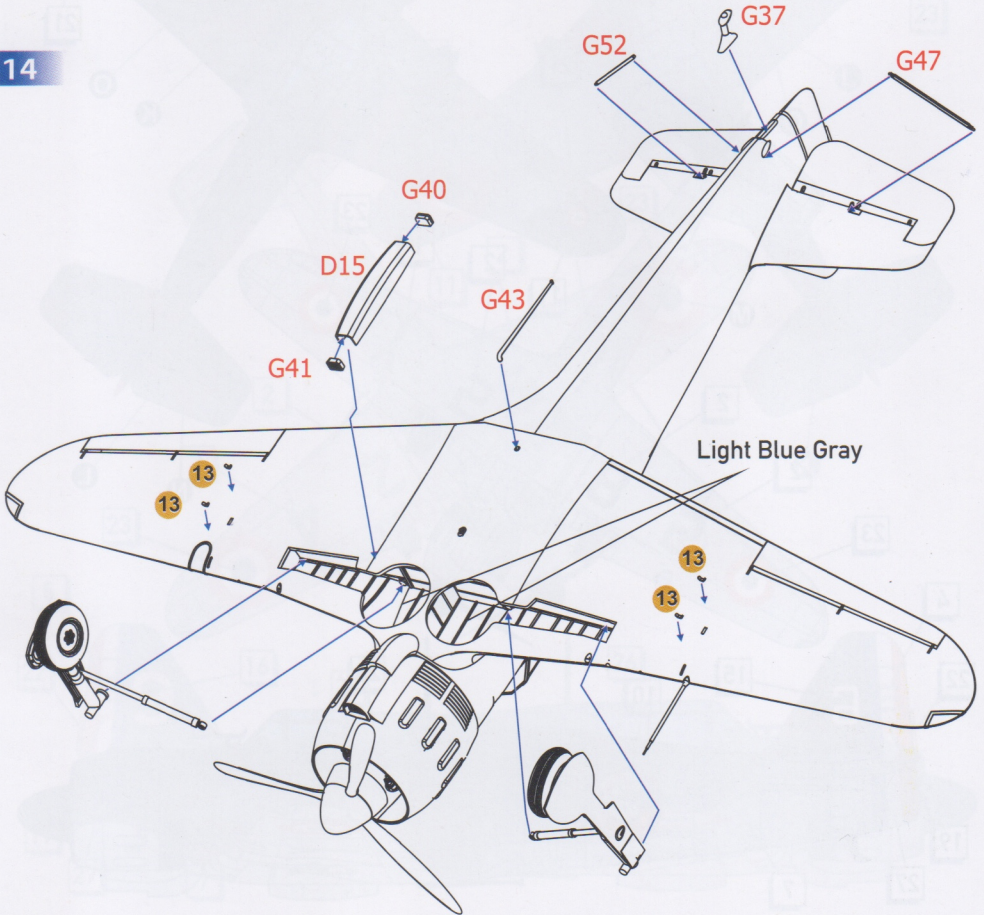
13

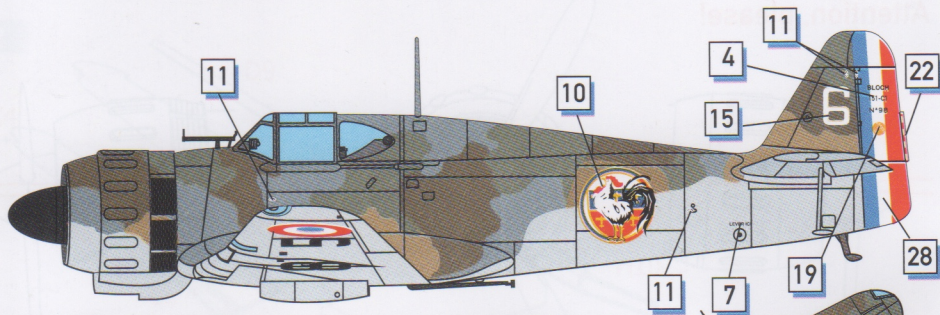


Attention, please!

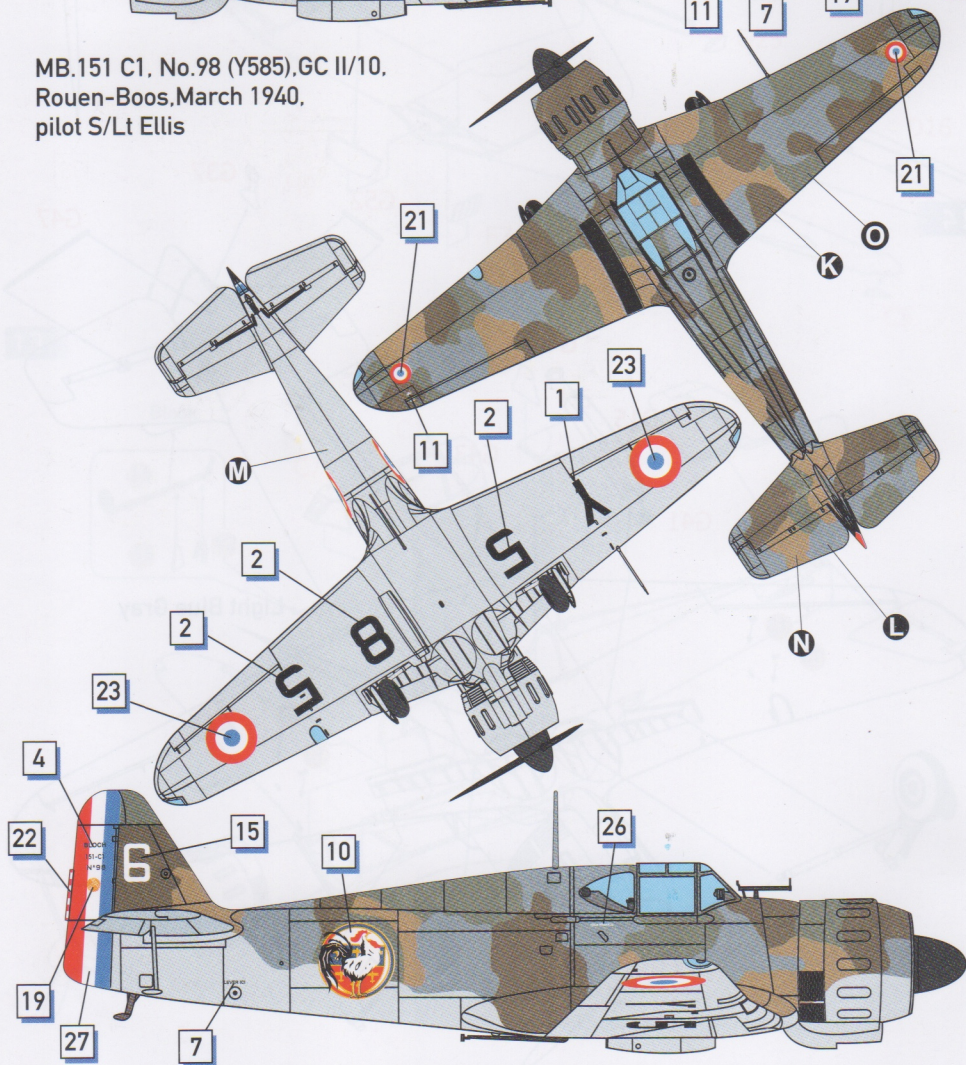


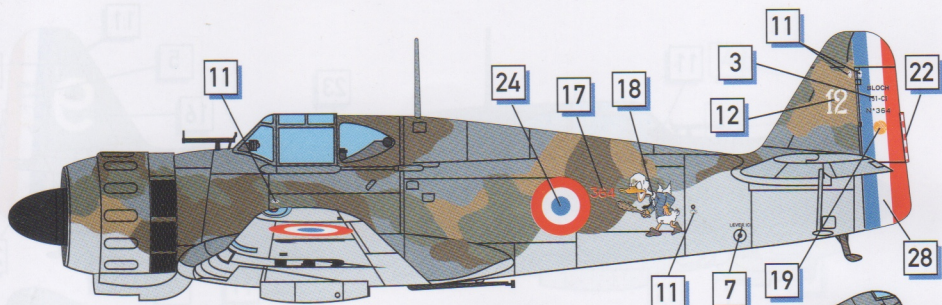
14



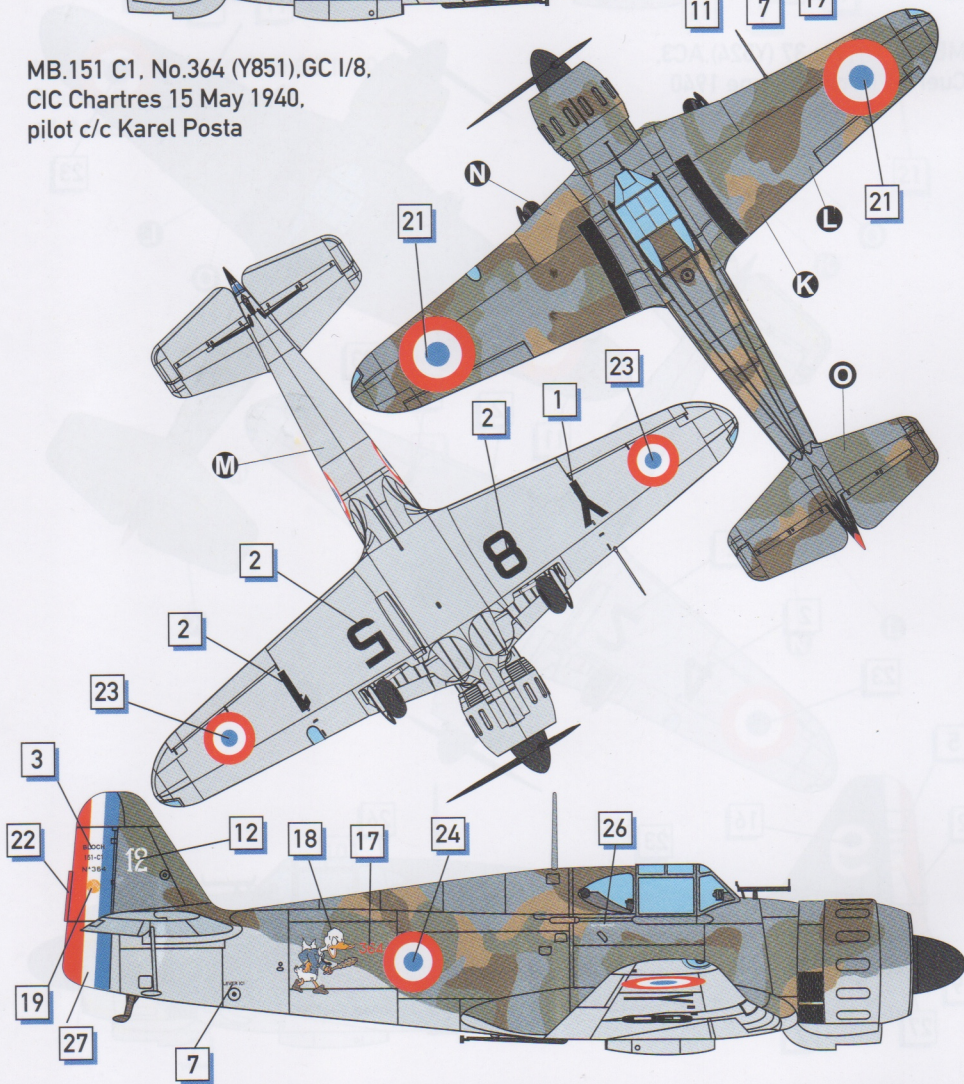


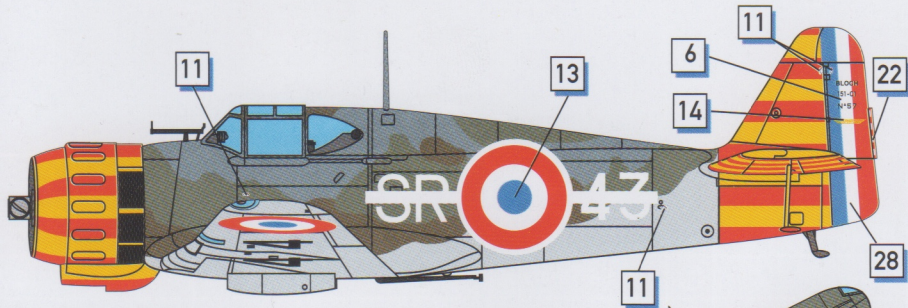
MB.151 C1, No.98 (Y585),GC II/10,
Rouen-Boos, March 1940,
pilot S/Lt Ellis



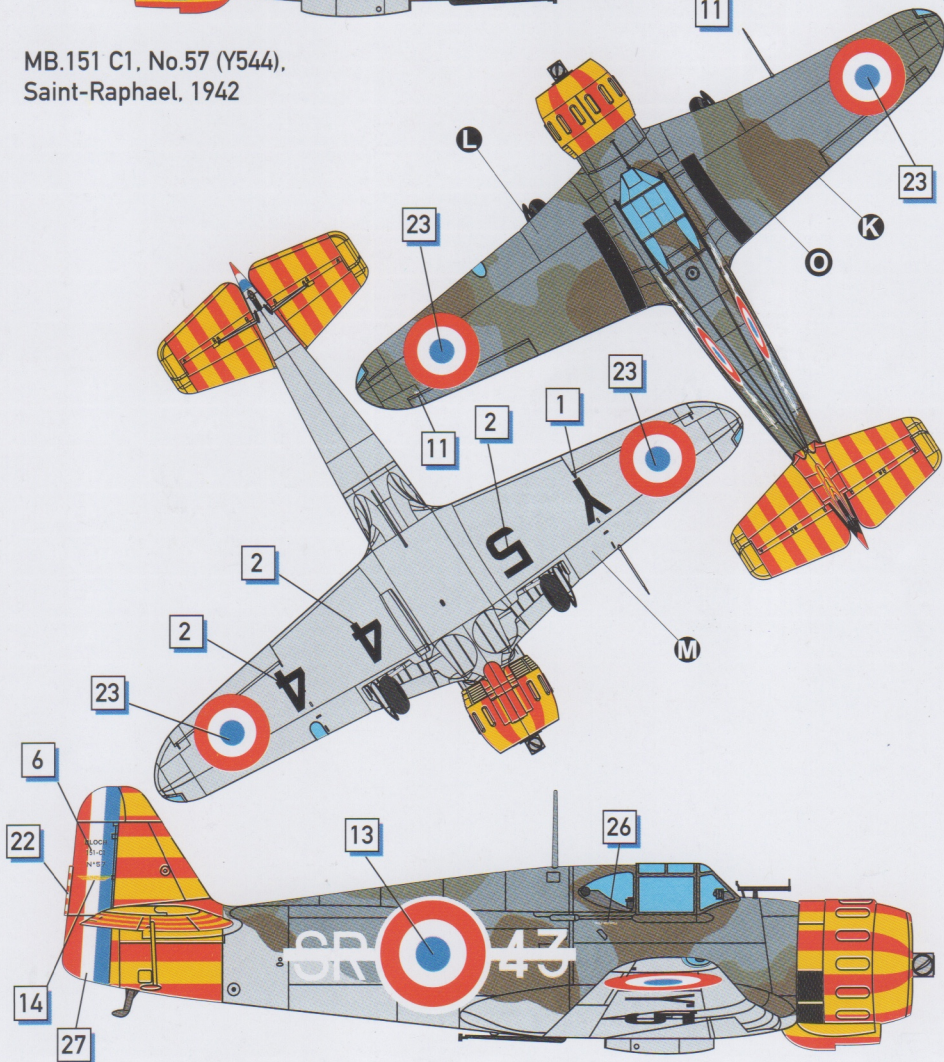


MB.151 C1, No.364 (Y851),GC I/8,
CIC Chartres 15 May 1940,
pilot c/c Karel Posta





MB.151 C1, No.57 (Y544),
Saint-Raphael, 1942



COLOR TABLE

Color Chart	MR. HOBBY	Tamiya	AMMO MIG	Hataka	LIFECOLOR
Black	A C33/H12	XF-1	MIG 046	HTK 100	LC 02
Silver	B C8/H8	X-32	MIG 195	HTK B003	LC 74
Aluminium	C MC 218	XF-16	MIG 194	HTK 078	LC 24
Gun Metal	D C78/H28	X-10	MIG 045	HTK 106	LC 26
Rubber Black	E C137/H77	XF-85	MIG 035		UA 733
Tan	F C44/H27	XF-55	MIG 202	HTK 187	LC 15
Clear Red	G C47/H90	XF-27	MIG 093		
Clear Green	H C138/H94	XF-25	MIG 092		
Burn Iron	I C61/H76	XF-25	MIG 187		LC 37
Signal Red	J C79/H11	XF-2	MIG 049	HTK-103	LC 56
Brun Fonce	K H84/H17 (50:50)	XF-52+ XF-10+XF-2 (5:5:1)		C 079	UA 143
Gris Bleu Fonce	L H56/H11 (50:50)	XF-53+ XF-2 (5:2)		C 082	UA 141
Gris Bleu Clair	M H67/H11 (50:50)	XF-23+ XF-2 (5:2)		C 083	UA 145
Terre de Sienne	N H318/H11(50:50)	XF-59+ XF-52 (6:1)		C 081	UA 144
Vert Fonce	O H73	XF-71+ XF-4 (5:1)		C 080	UA 146
Khaki Francais	P H80/H11(70:30)	XF-49+ XF-2 (5:2)		C 084	UA 142
Bleu Nuit Interieur	Q C366/H56	XF-18	MIG 228	HTK 027	UA 45

USED SYMBOLS



CEMENT



DON'T CEMENT



REMOVE



SYMMETRICAL



MULTIPLE



BEND



OPEN WHOLE



VARIANTS



TO PAINT



Marcel-Bloch M.B.151

1/48 SCALE MODEL CONSTRUCTION KIT

Ready to assemble scale models kit.

Contains part for one model.

Model length: 189 mm

Wingspan: 219 mm

Plastic parts: 113

Photoetched parts: 15

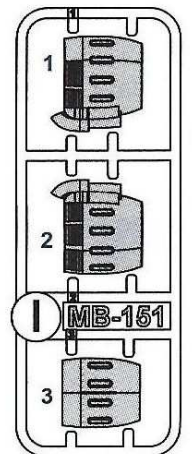
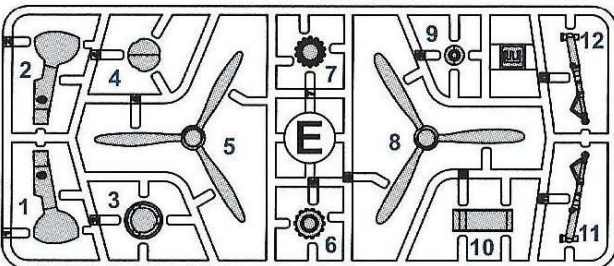
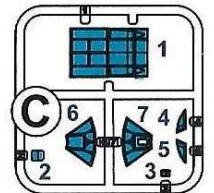
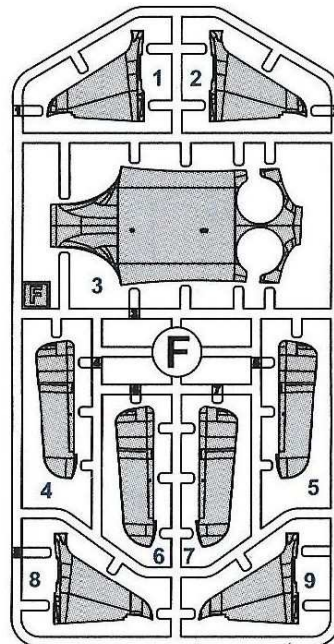
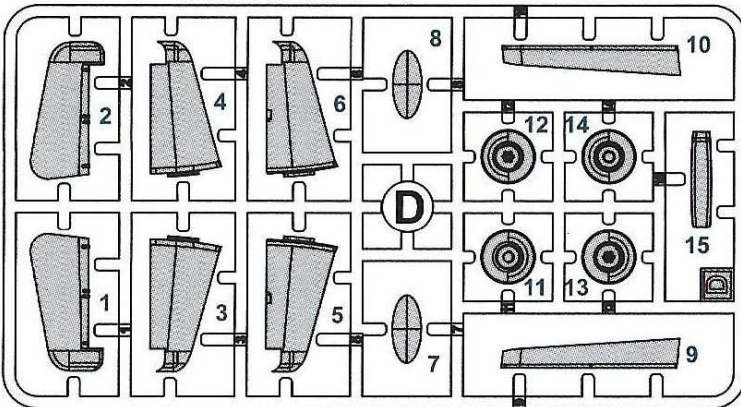
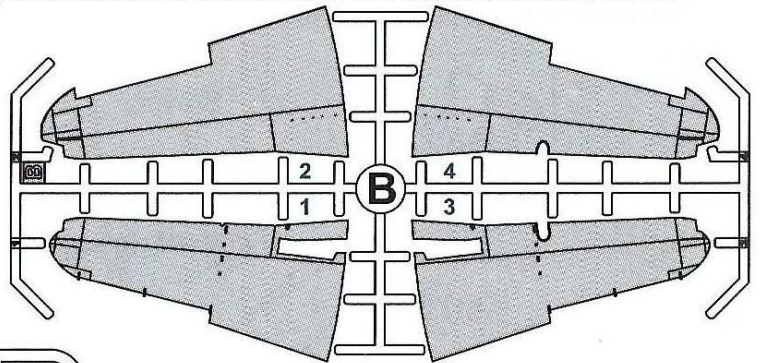
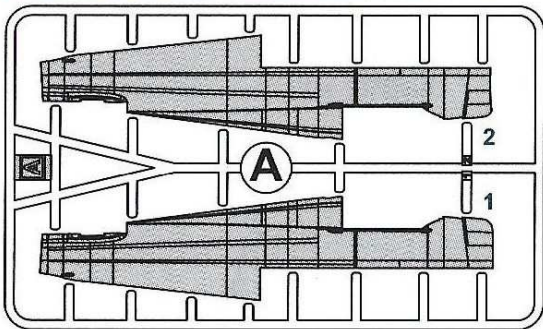
"In memory of our friend Joël Ducasse - 1957-2019

After a great career as a cargo pilot in French Air Force, Joël has established itself as one of the best modellers in Europe. His builds and drawings may be considered as a reference for french aircrafts. As gifted as modest, Joël always shared his tips, like the drawings he designed for the Bloch 151-152-155 series.

Family and friends will miss you so much Joël. COTAM ad aeternam"

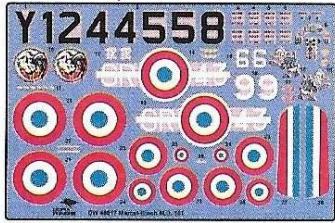
PARTS OF THE MODEL

The model was created according to the original drawings developed by Joel Ducasse in collaboration with Billault Sosthene Waroff

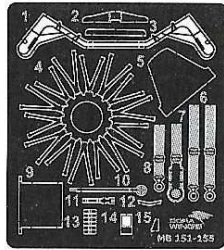


USED SYMBOLS

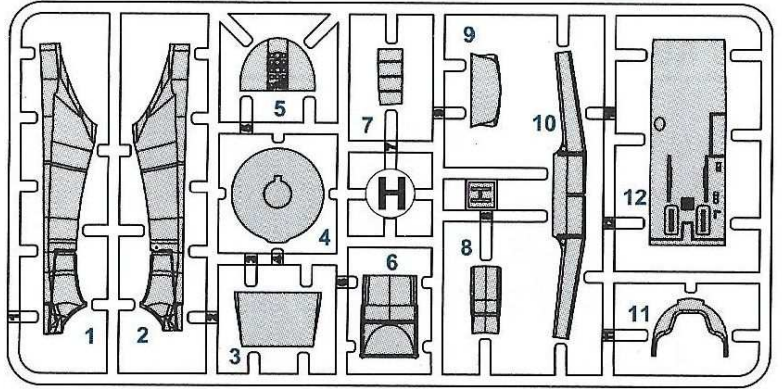




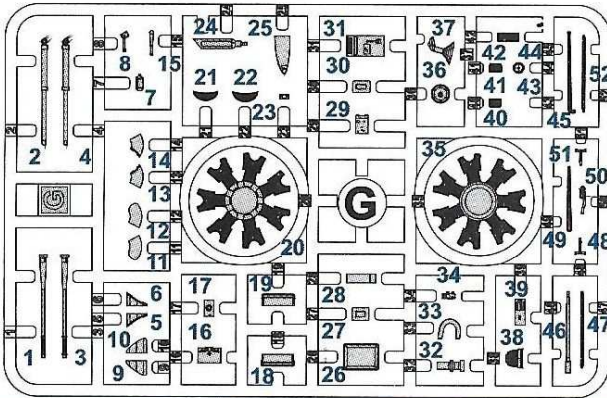
Decal



PE



Mask



Film



ASSEMBLY INSTRUCTION

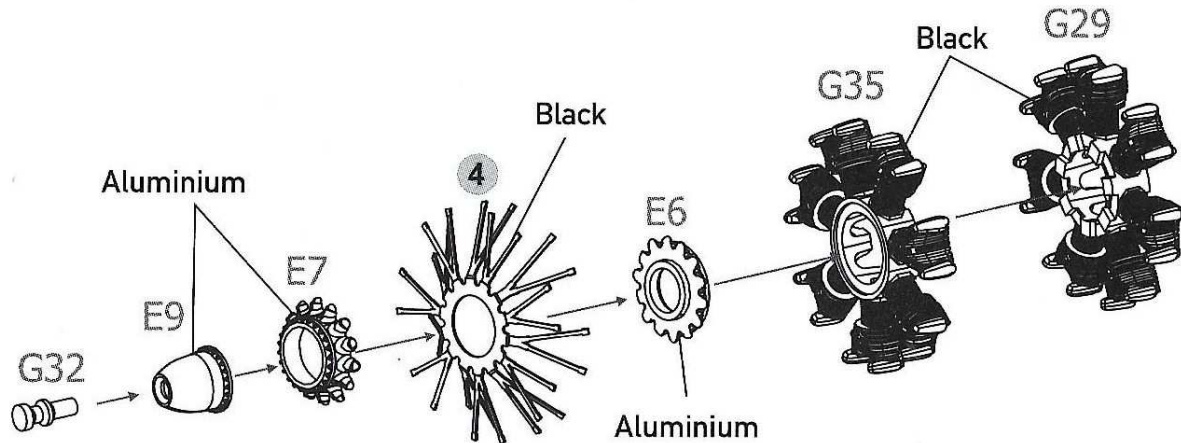
1

2

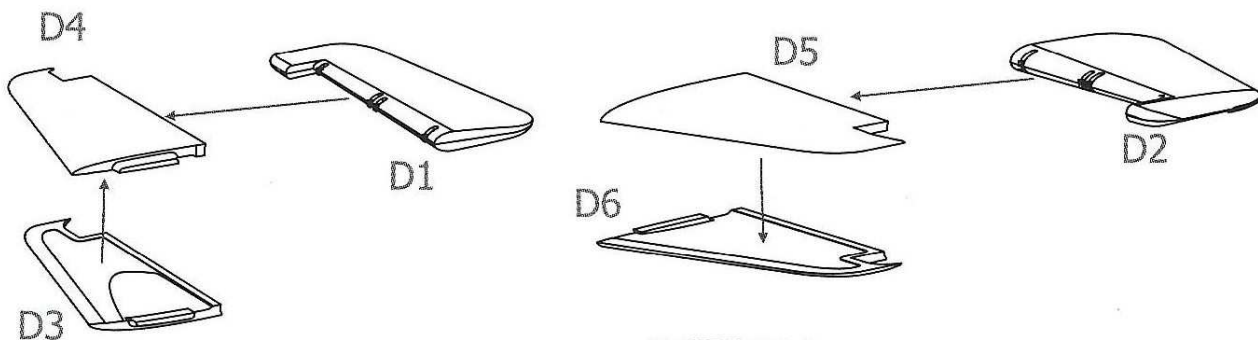
3

4

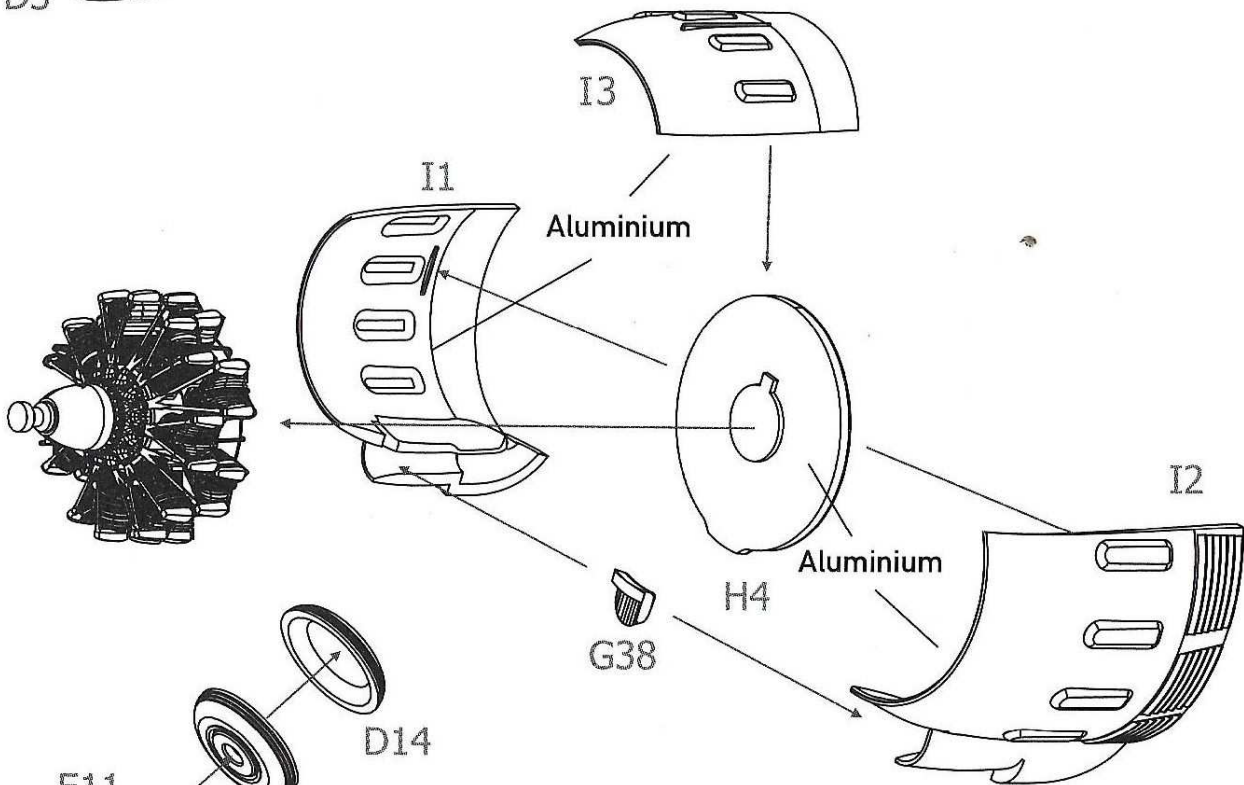
5



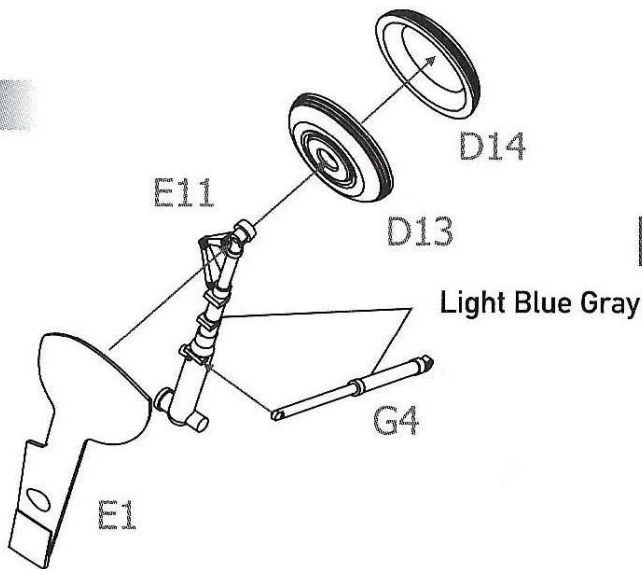
6



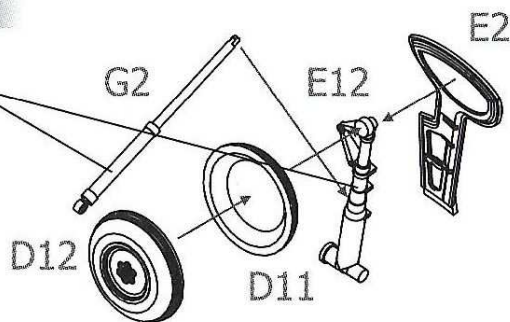
7



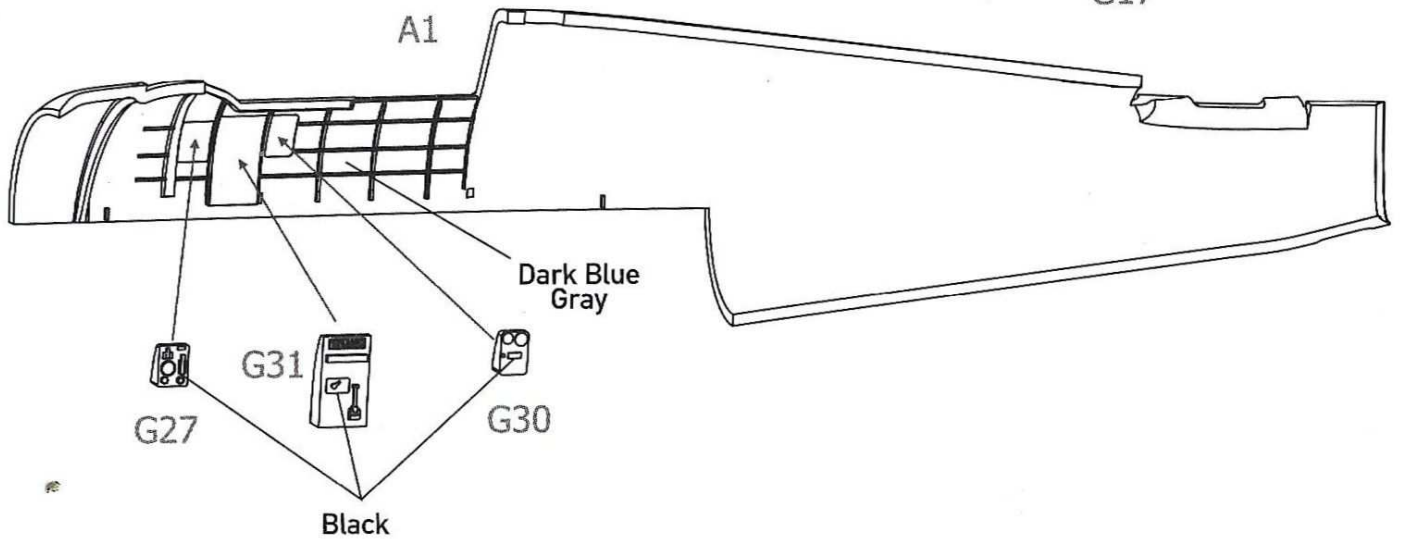
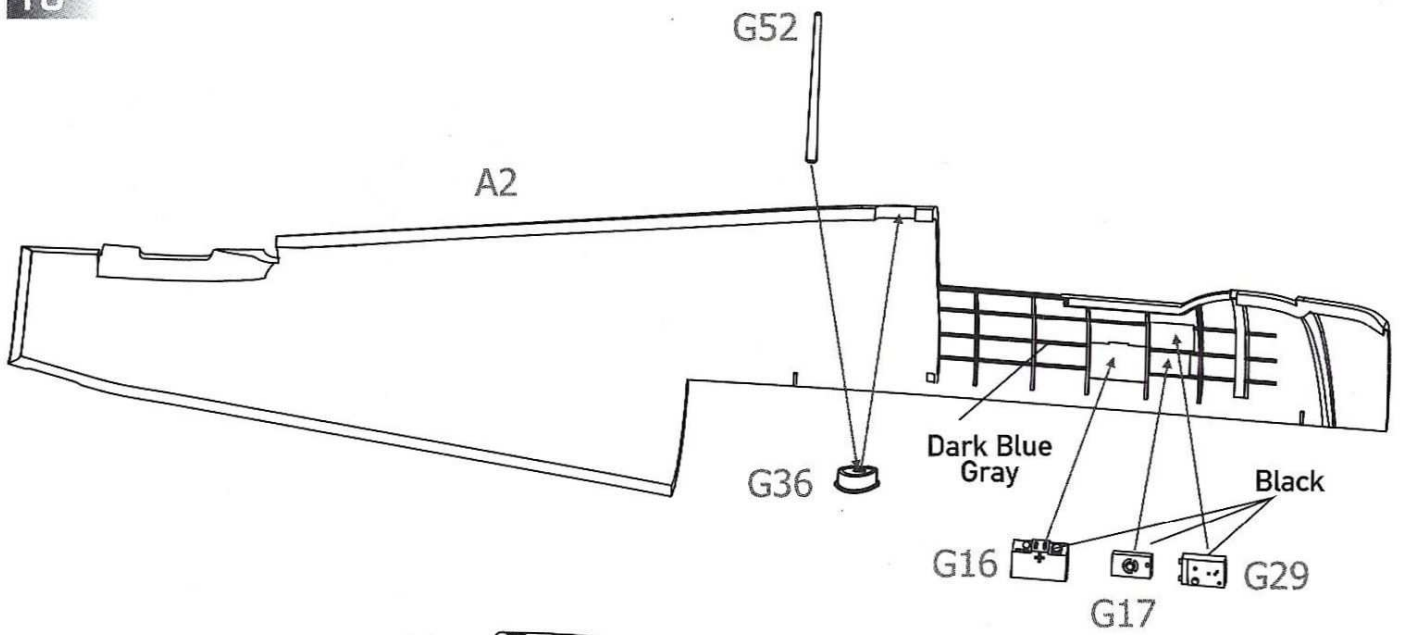
8



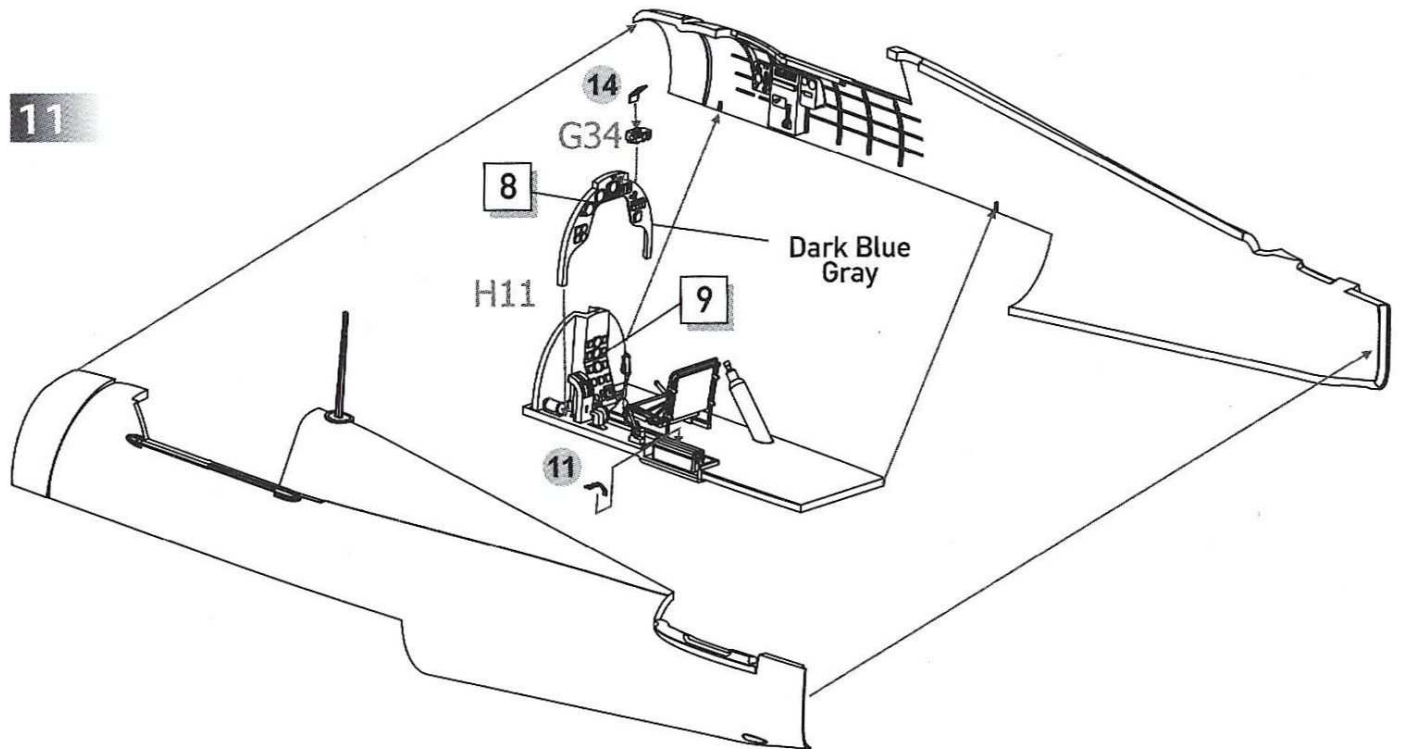
9



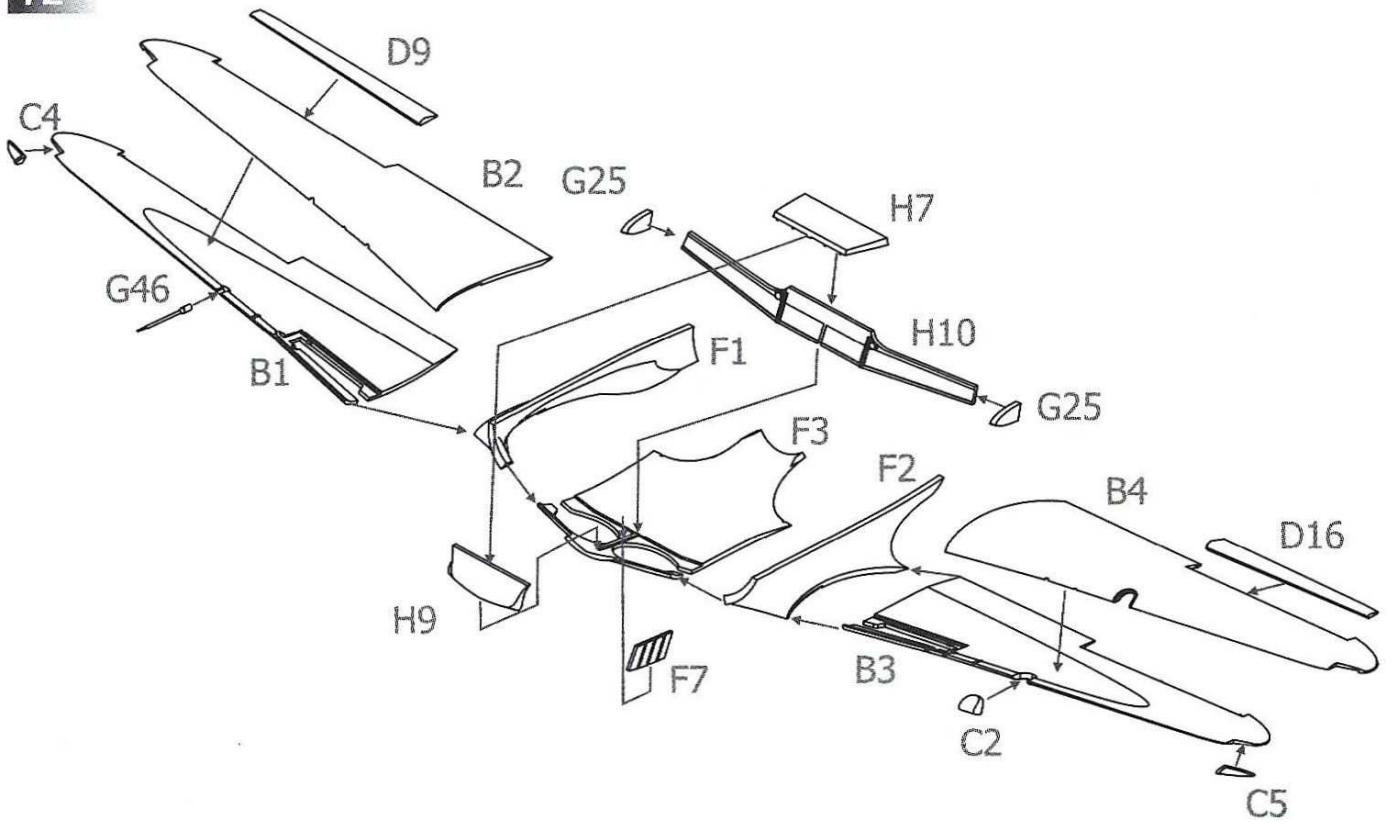
10



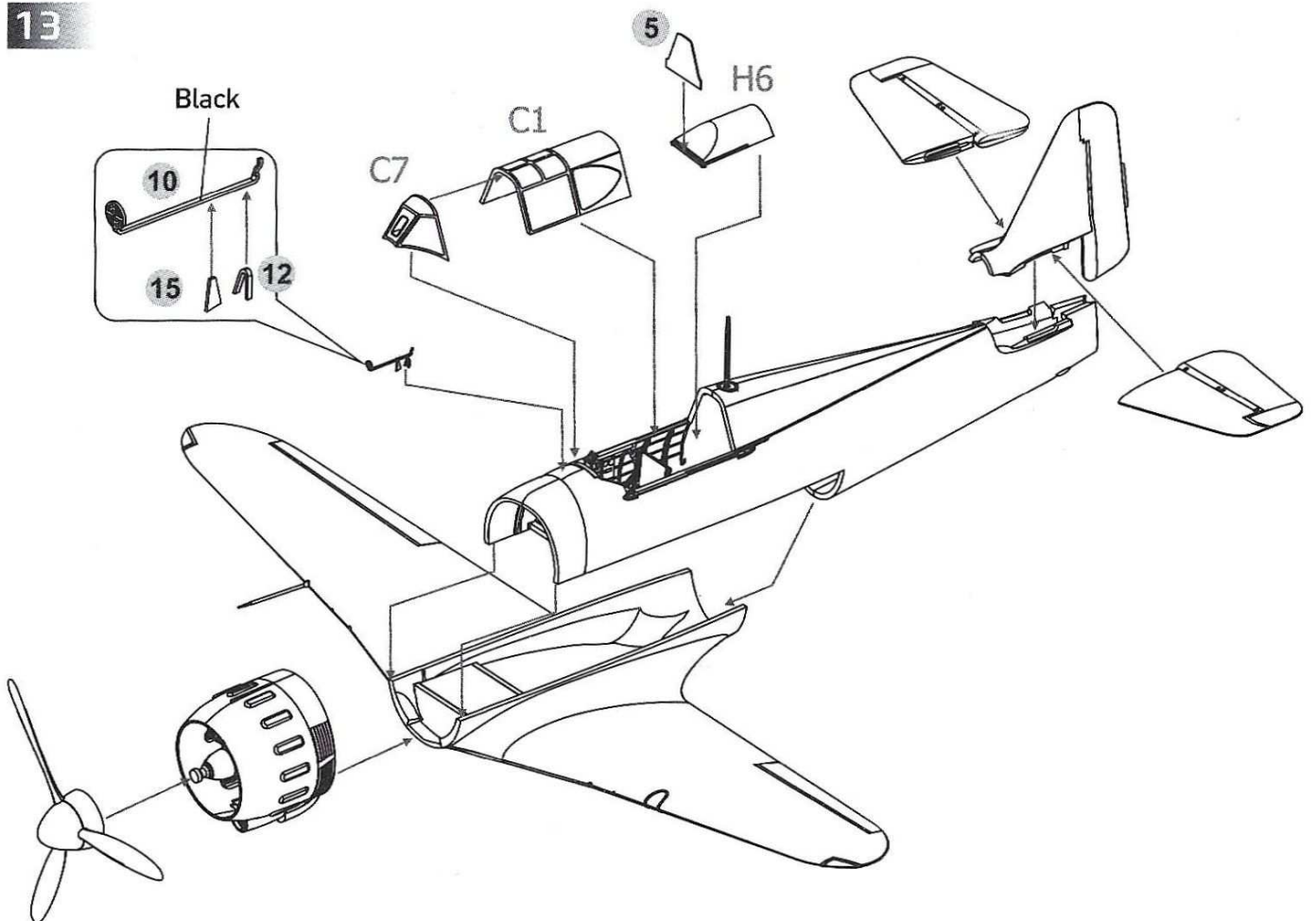
11



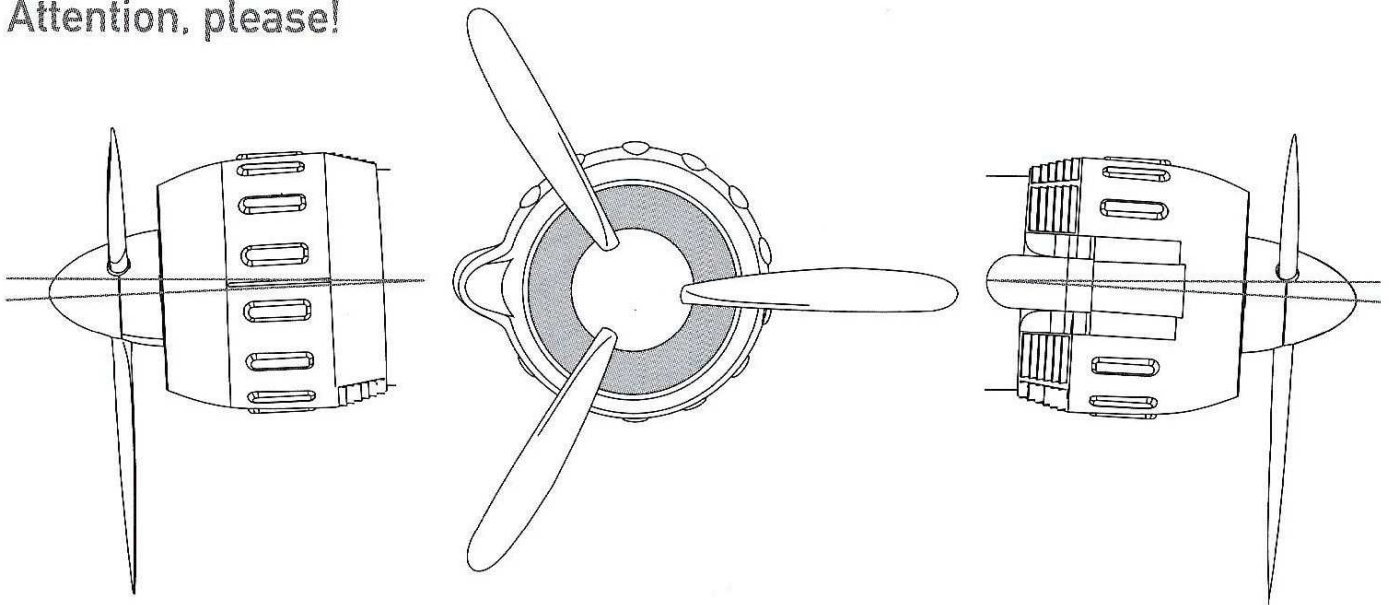
12



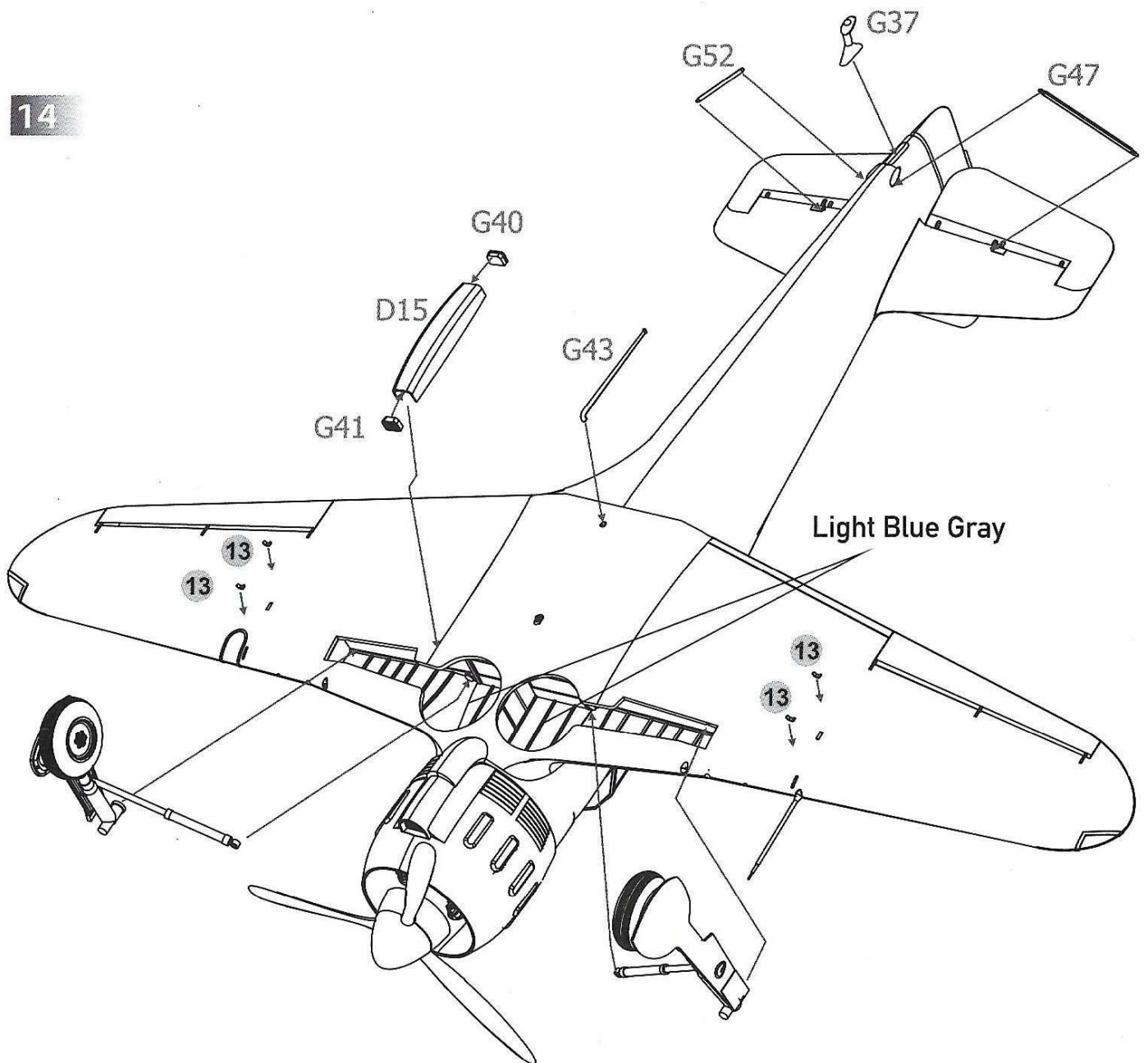
13

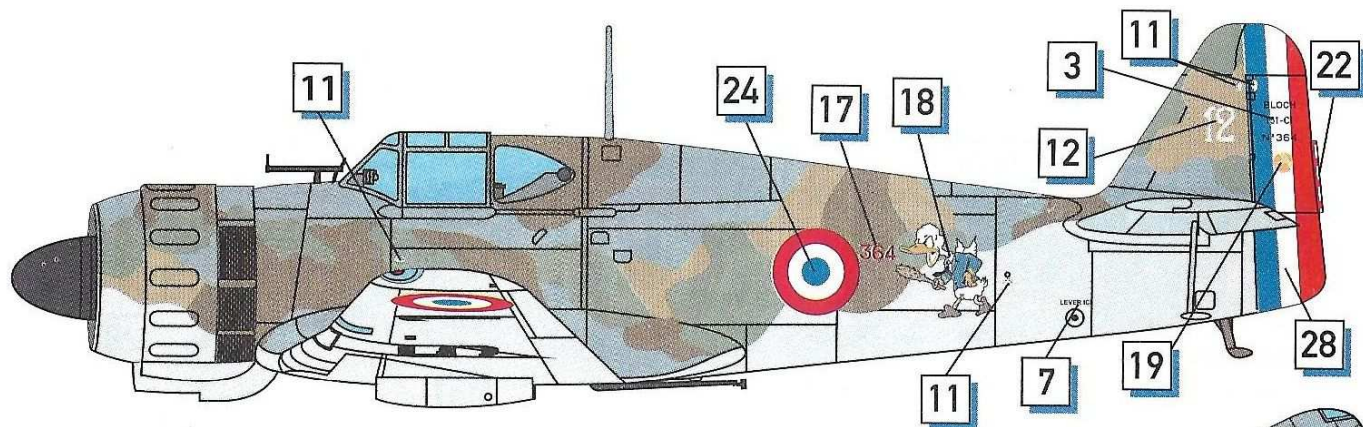


Attention, please!

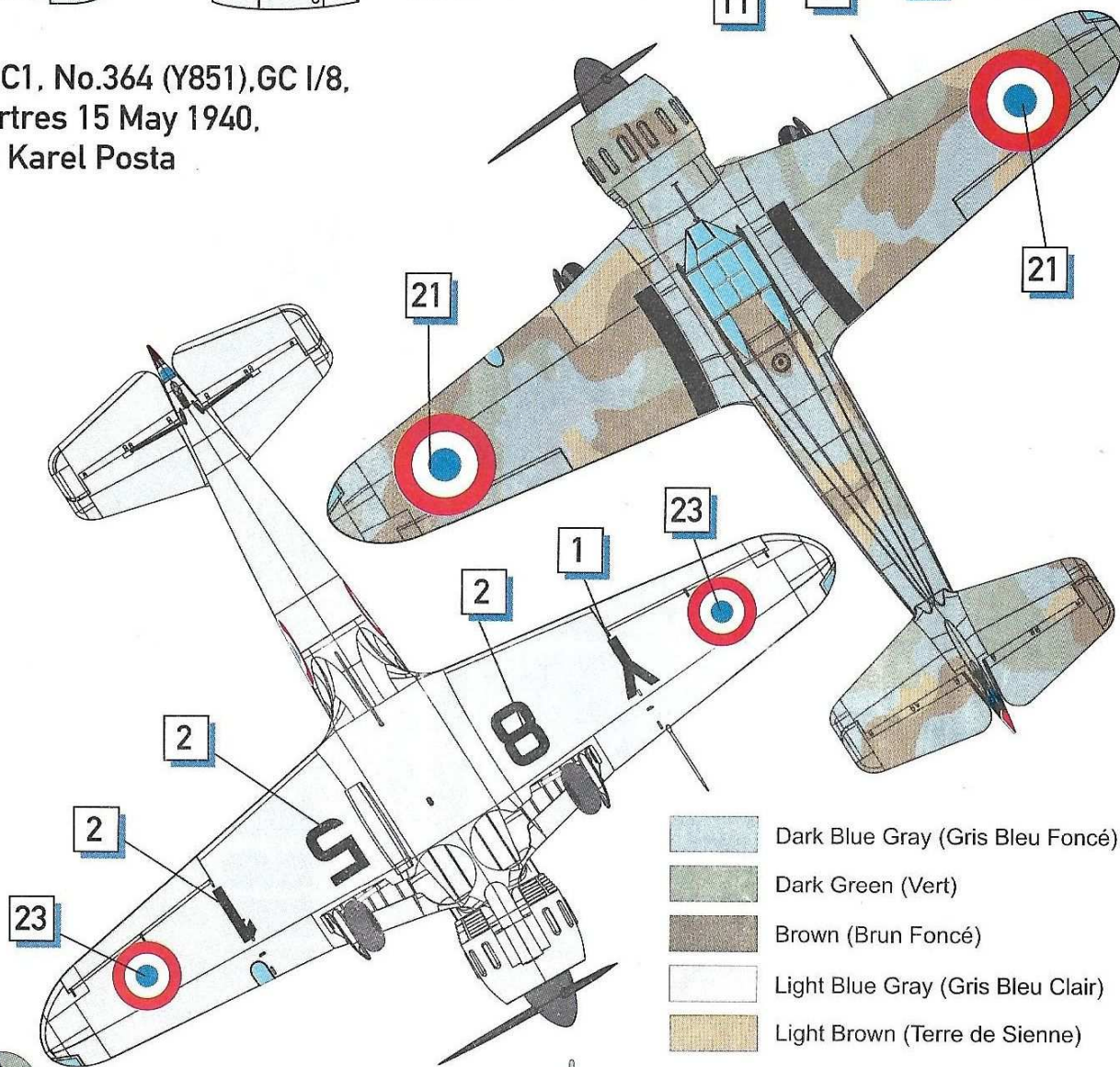


14

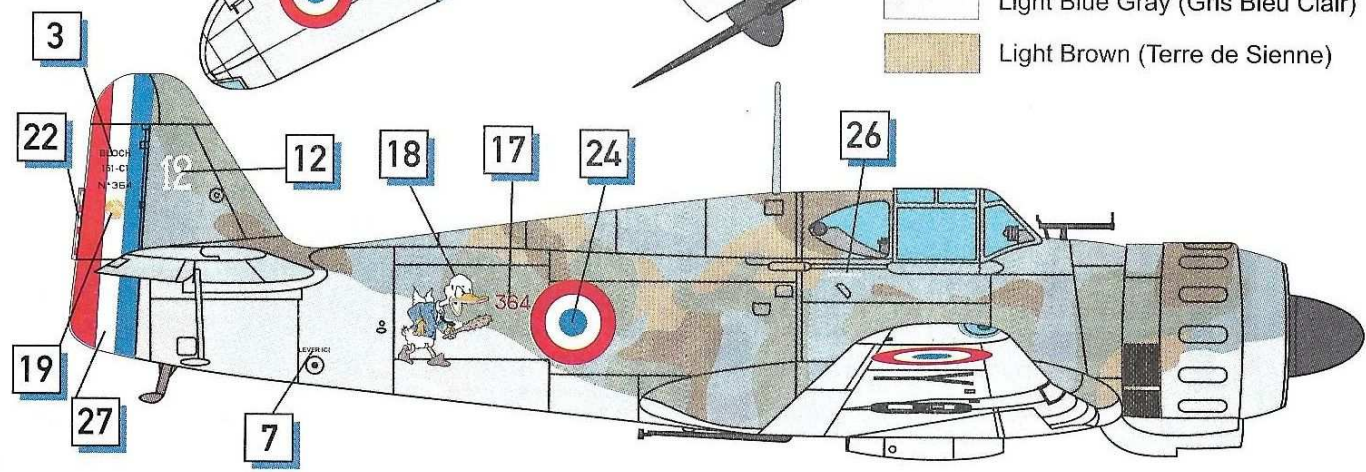


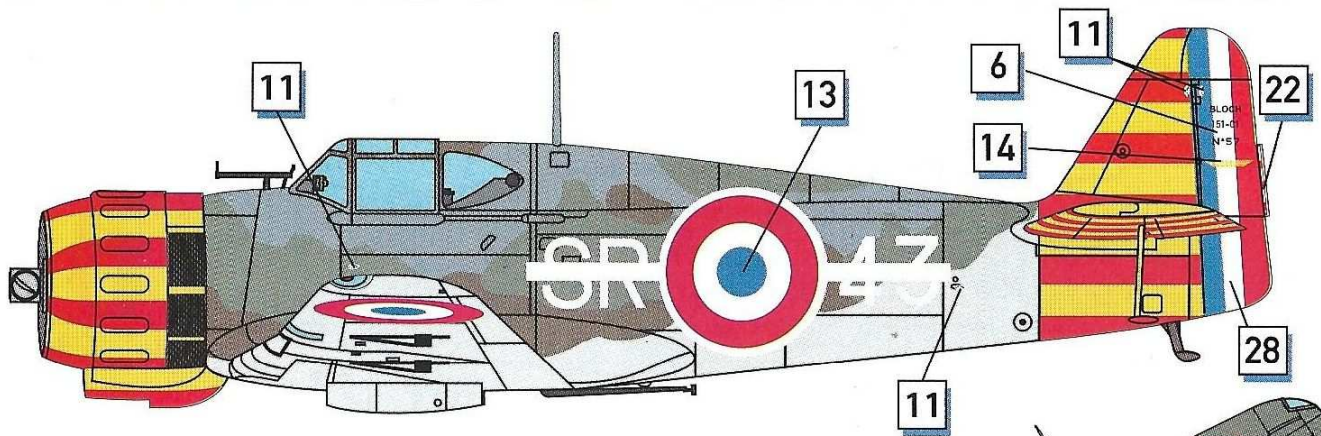


MB.151 C1, No.364 (Y851),GC I/8,
CIC Chartres 15 May 1940,
pilot c/c Karel Posta

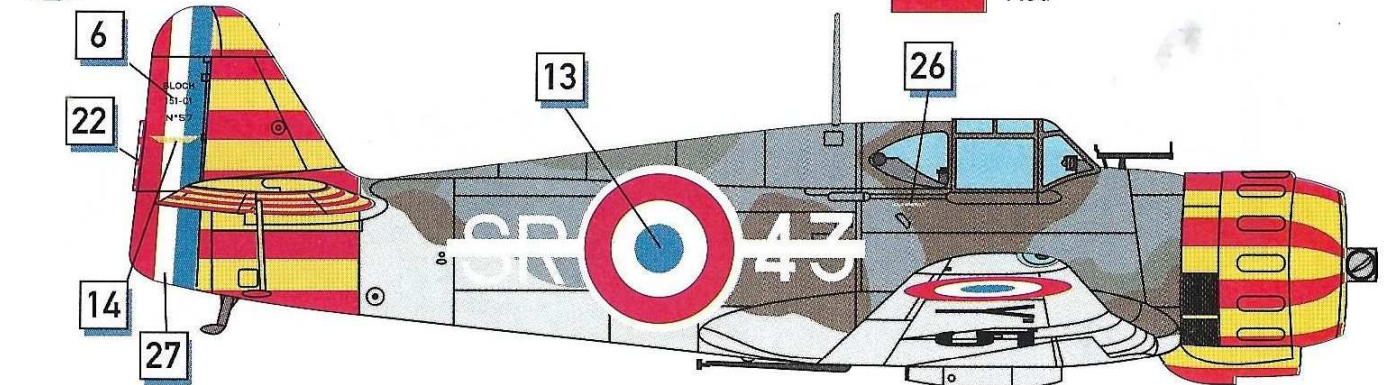
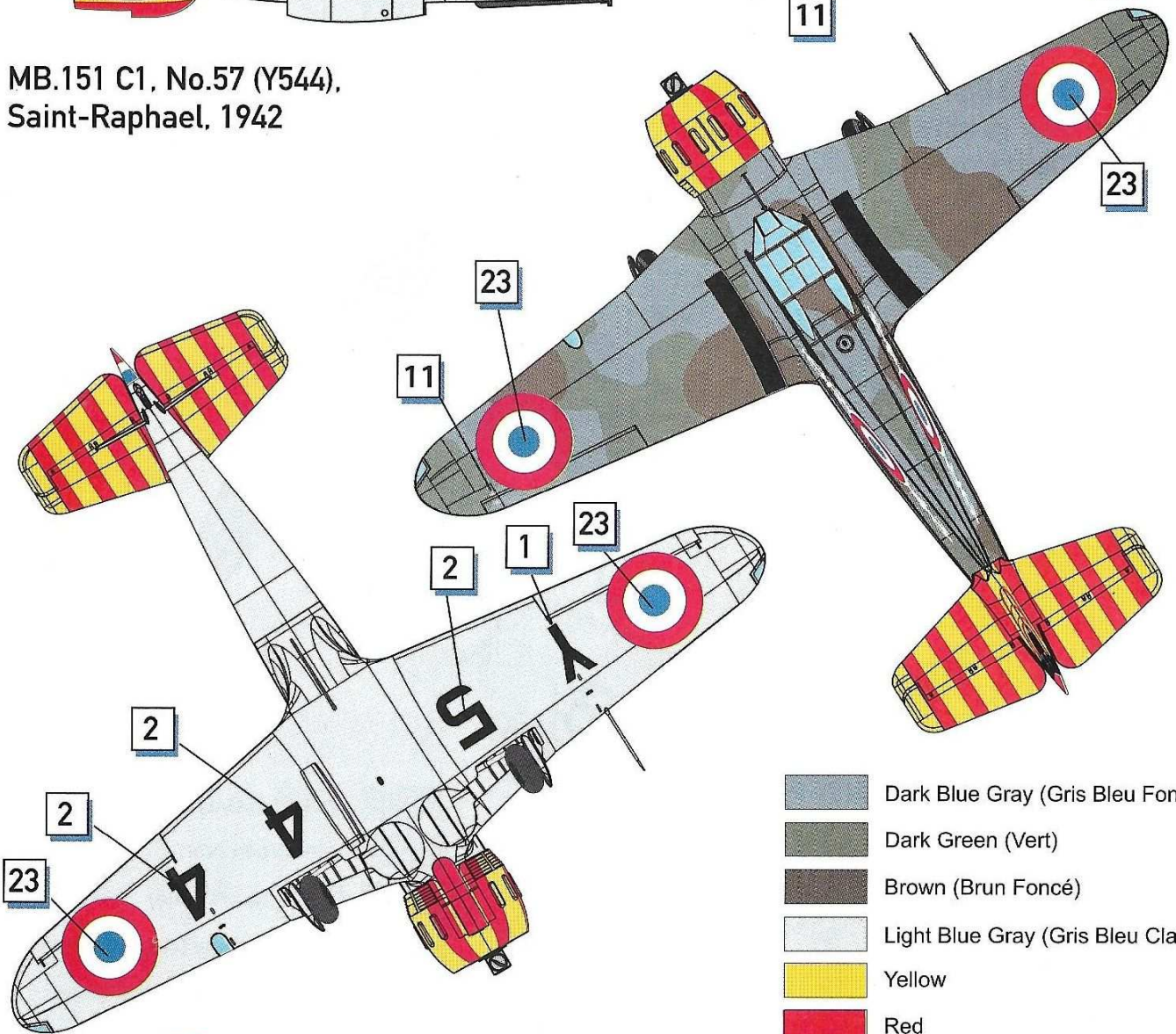


- Dark Blue Gray (Gris Bleu Foncé)
- Dark Green (Vert)
- Brown (Brun Foncé)
- Light Blue Gray (Gris Bleu Clair)
- Light Brown (Terre de Sienne)

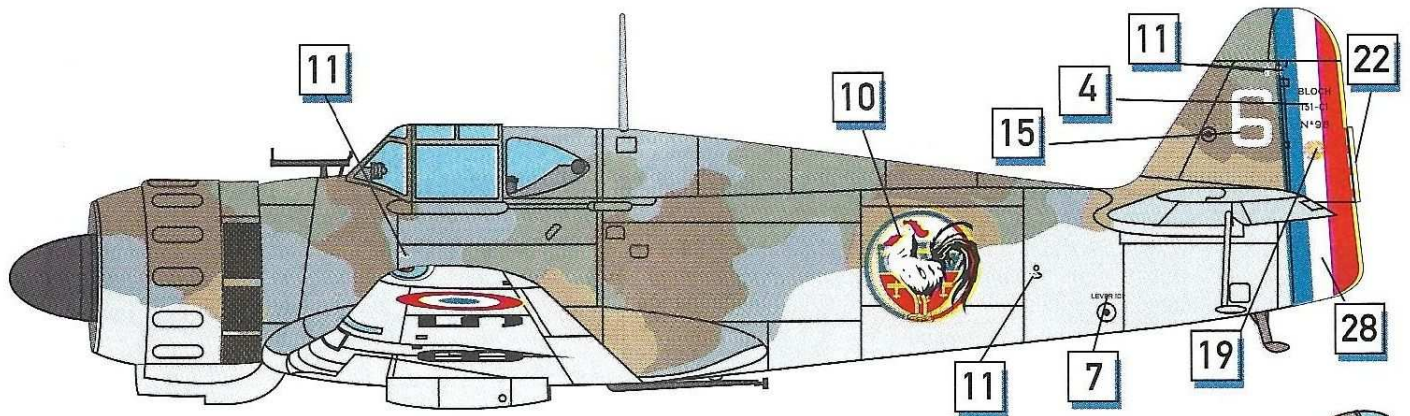




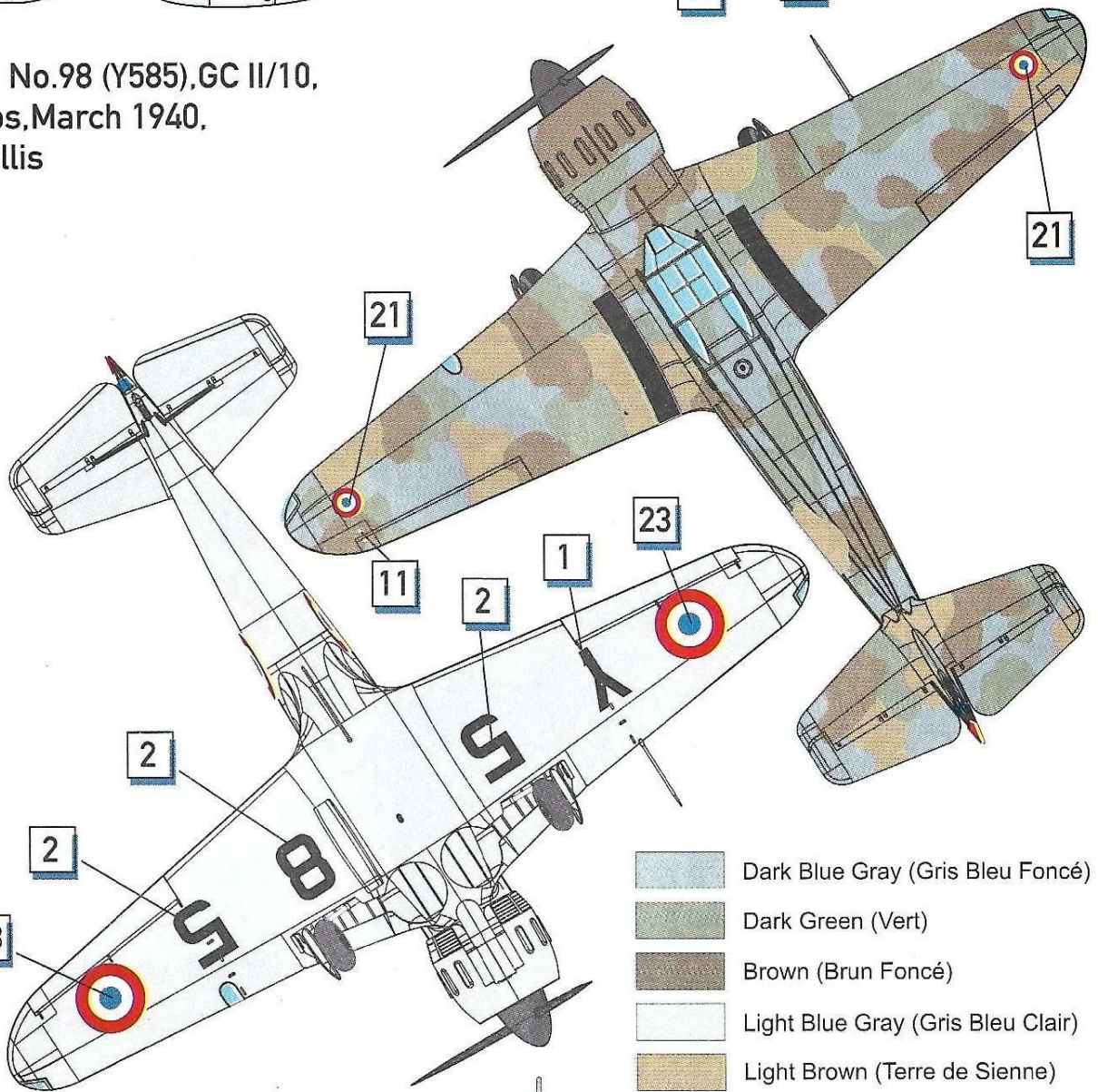
MB.151 C1, No.57 (Y544),
Saint-Raphael, 1942



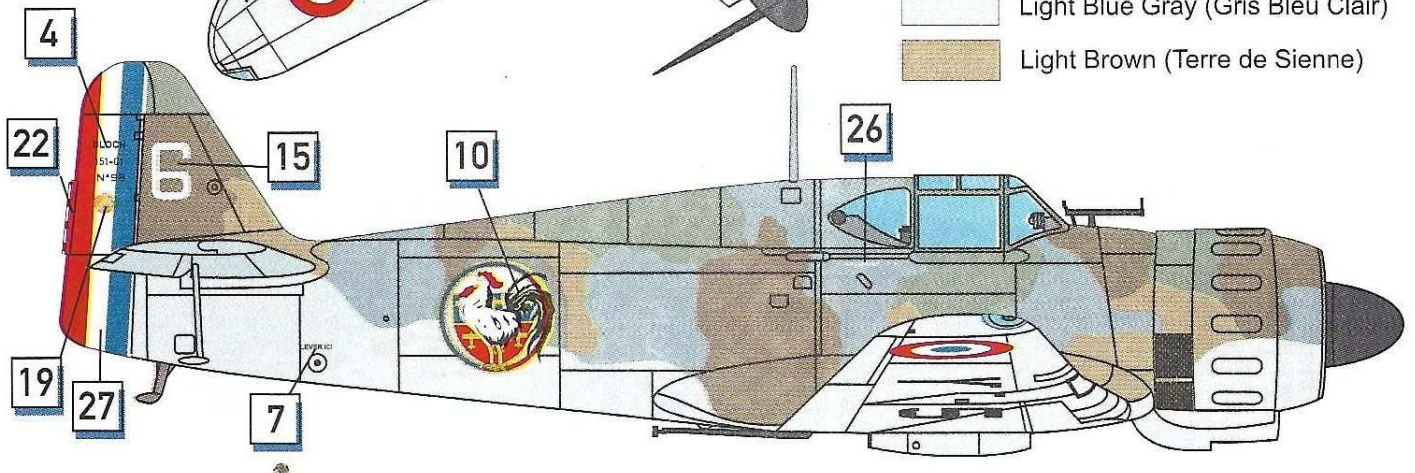
- Dark Blue Gray (Gris Bleu Foncé)
- Dark Green (Vert)
- Brown (Brun Foncé)
- Light Blue Gray (Gris Bleu Clair)
- Yellow
- Red

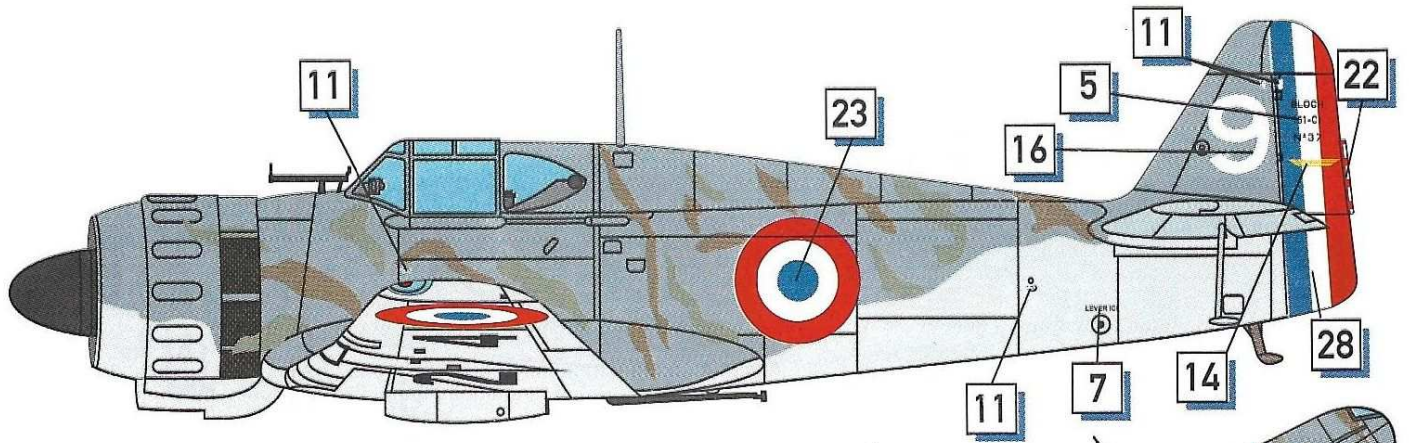


MB.151 C1, No.98 (Y585),GC II/10,
Rouen-Boos, March 1940,
pilot S/Lt Ellis

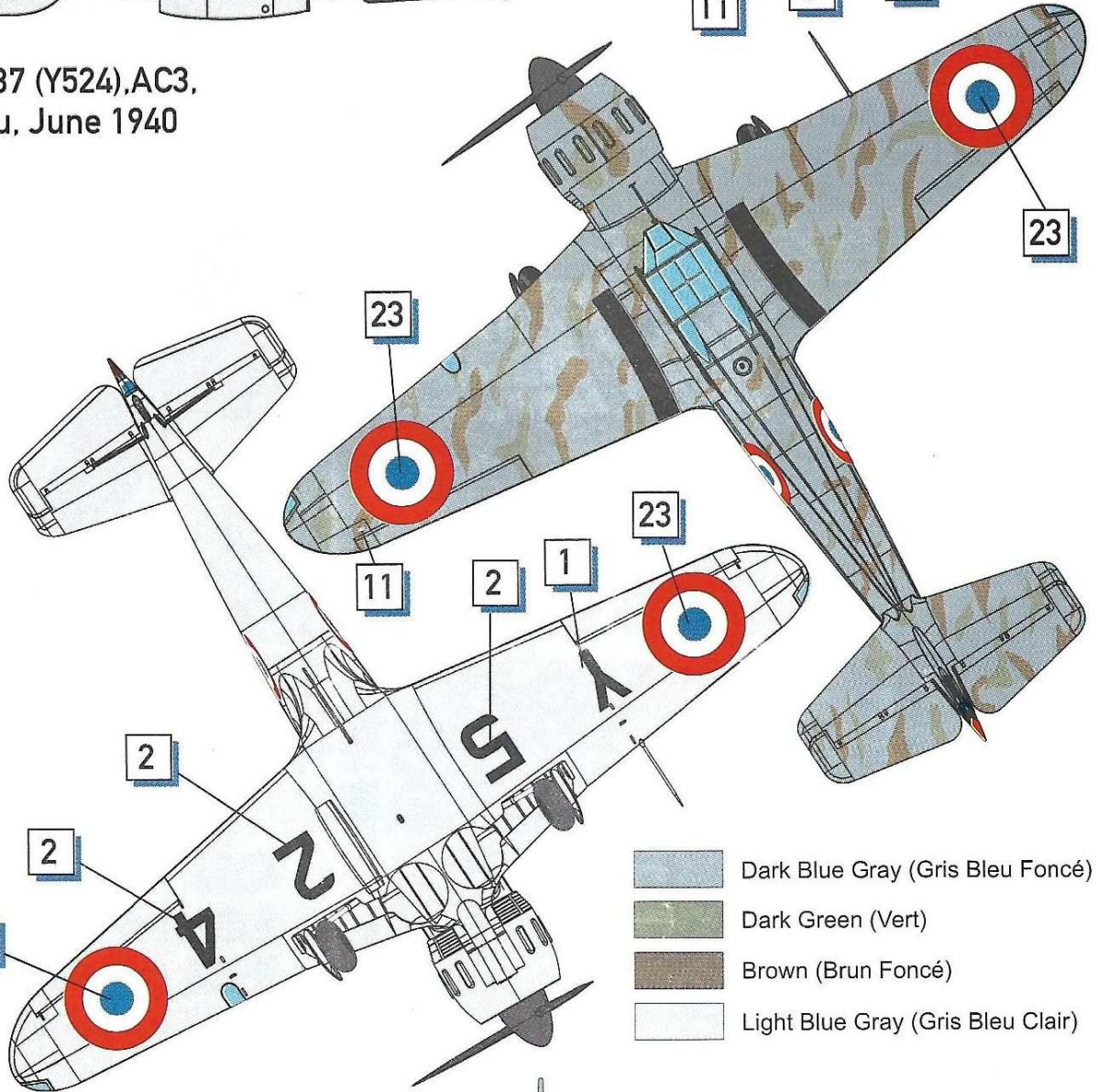


-  Dark Blue Gray (Gris Bleu Foncé)
-  Dark Green (Vert)
-  Brown (Brun Foncé)
-  Light Blue Gray (Gris Bleu Clair)
-  Light Brown (Terre de Sienne)





MB.151 C1, No.37 (Y524).AC3,
Cuers-Pierrefeu, June 1940



-  Dark Blue Gray (Gris Bleu Foncé)
-  Dark Green (Vert)
-  Brown (Brun Foncé)
-  Light Blue Gray (Gris Bleu Clair)

