

1/48



EVOLUTION

L-39C/ZO Albatros

eduard

11121 - NAV1

ATTENTION



UPOZORNĚNÍ



ACHTUNG



ATTENTION



注意



Carefully read instruction sheet before assembling. When you use glue or paint, do not use near open flame and use in well ventilated room. Keep out of reach of small children. Children must not be allowed to suck any part, or pull vinyl bag over the head.



Před započítím stavby si pečlivě prostudujte stavební návod. Při používání barev a lepidel pracujte v dobře větrané místnosti. Lepidla ani barvy nepoužívejte v blízkosti otevřeného ohně. Model není určen malým dětem, mohlo by dojít k požití drobných dílů.

INSTRUCTION SIGNS

INSTR. SYMBOLS

INSTRUKTION SINNBILDEN

SYMBOLES

記号の説明



OPTIONAL
VOLBA



BEND
OHNOU



OPEN HOLE
VYVRTAT OTVOR



SYMMETRICAL ASSEMBLY
SYMETRICKÁ MONTÁŽ



REMOVE
ODŘÍZNOUT



REVERSE SIDE
OTOČIT



APPLY EDUARD MASK
AND PAINT
POUŽÍT EDUARD MASK
NABARVIT

PARTS



DÍLY



TEILE

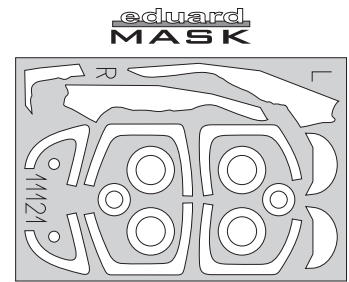
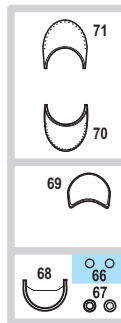
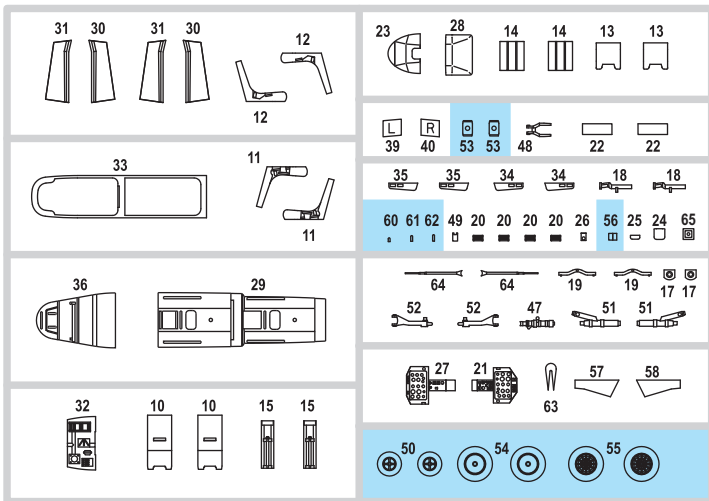
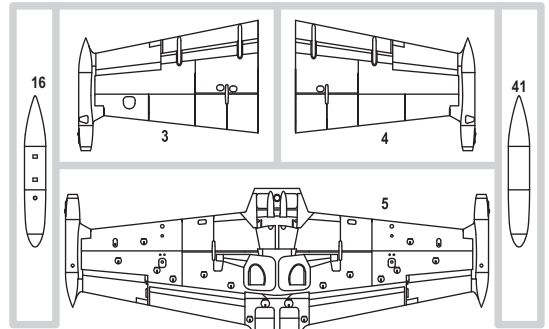
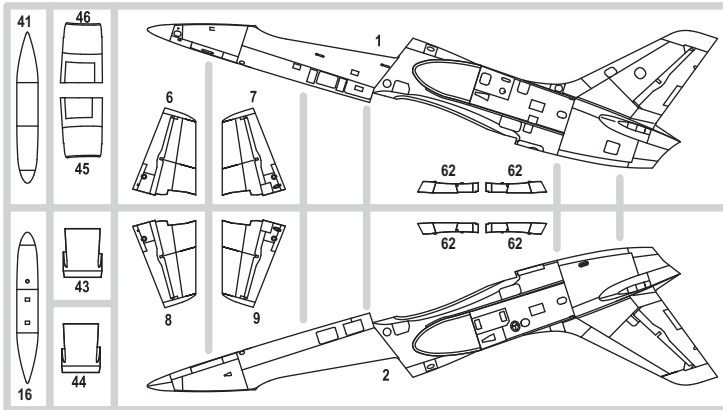


PIÈCES

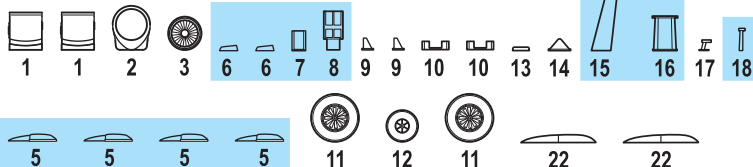


部品

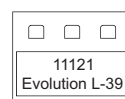
PLASTIC PARTS



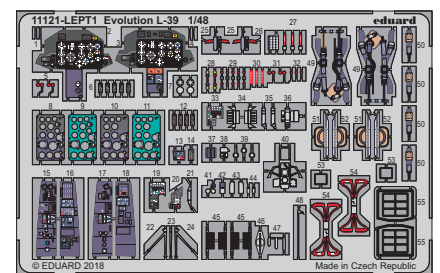
RP - RESIN PARTS



FILM



PE - PHOTO ETCHED DETAIL PARTS



-Parts not for use. -Teile werden nicht verwendet. -Pièces à ne pas utiliser. -Tyto díly nepoužívejte při stavbě. - 使用しない部品

COLOURS



BARVY



FARBEN



PEINTURE

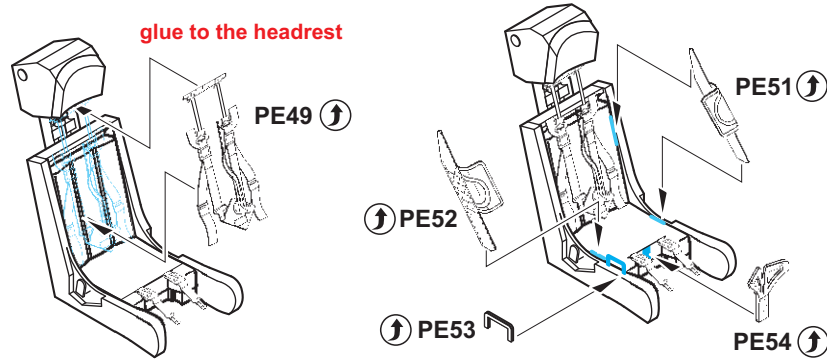
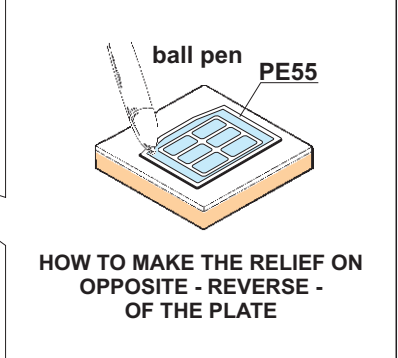
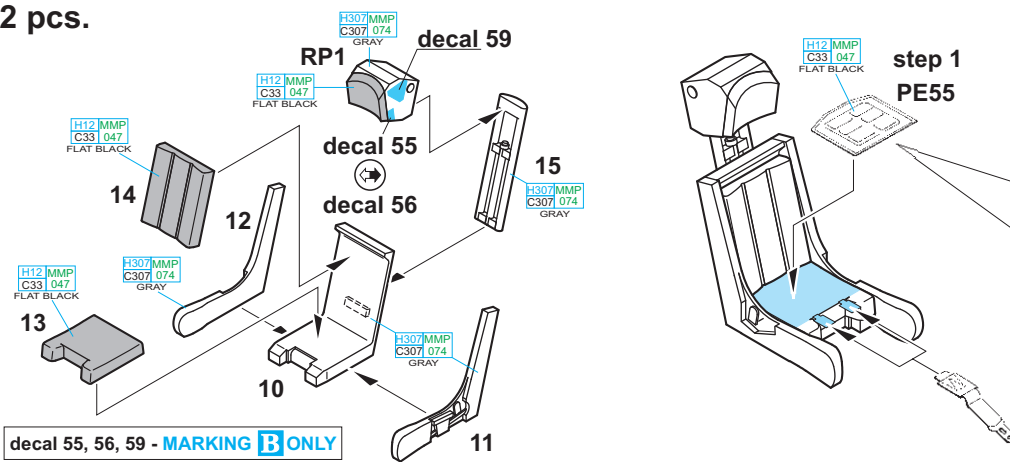


色

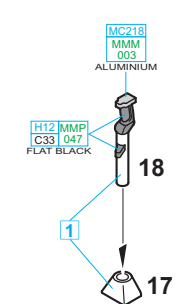
GSI Creos (GUNZE)		MISSION MODELS	
AQUEOUS	Mr.COLOR	PAINTS	
[H3]	C3	[MMP-003]	RED
[H6]	C6	[MMP-004]	GREEN
[H11]	C62	[MMP-001]	FLAT WHITE
[H12]	C33	[MMP-047]	FLAT BLACK
[H27]	C44		TAN
[H51]	C11	[MMP-063]	LIGHT GULL GRAY
[H56]	C366	[MMP-071]	INTERMEDIATE BLUE
[H76]	C61	[MMM-001]	BURNT IRON
[H77]	C137	[MMP-040]	TIRE BLACK
[H88]	C76		METALLIC BLUE
[H302]	C302		GREEN
[H307]	C307	[MMP-074]	GRAY
[H308]	C308	[MMP-073]	GRAY

GSI Creos (GUNZE)		MISSION MODELS	
AQUEOUS	Mr.COLOR	PAINTS	
[H310]	C310	[MMP-060]	BROWN
[H315]	C315	[MMP-069]	GRAY
[H317]	C317	[MMP-064]	GRAY
[H323]	C323		LIGHT BLUE
[H325]	C325	[MMP-063]	GRAY
[H405]	C126		OLIVE GREEN
	C34	[MMP-018]	SKY BLUE
	C66	[MMP-032]	BRIGHT GREEN
	C80	[MMP-093]	COBALT BLUE
Mr.METAL COLOR		METALLICS	
	[MC218]	[MMM-003]	ALUMINIUM
Mr.COLOR SUPER METALLIC		METALLICS	
	[SM01]	[MMC-001]	SUPER CHROME

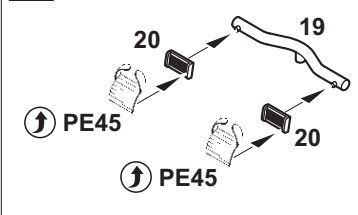
A 2 pcs.



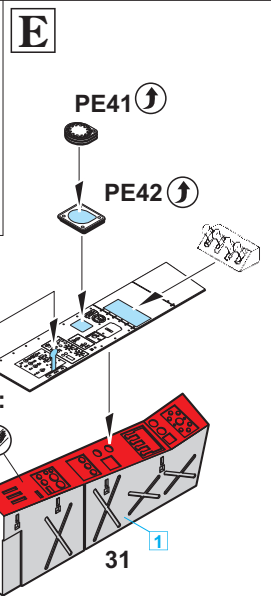
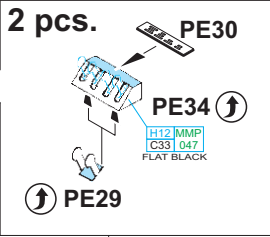
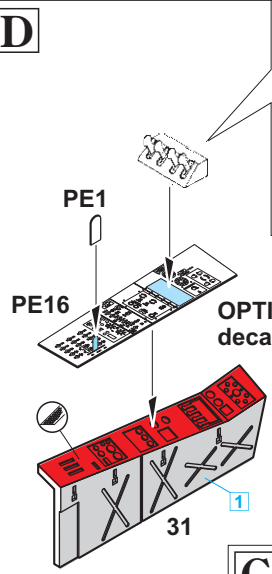
B 2 pcs.



C 2 pcs.



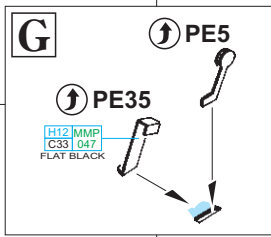
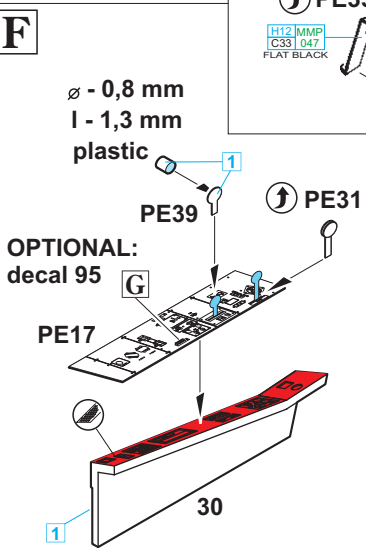
D



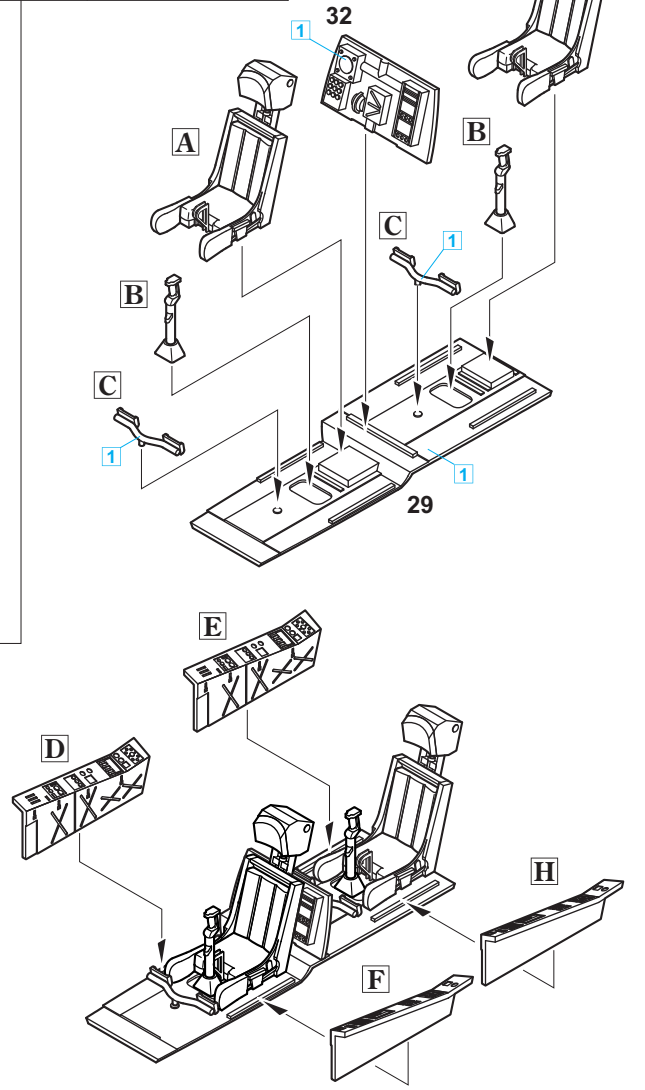
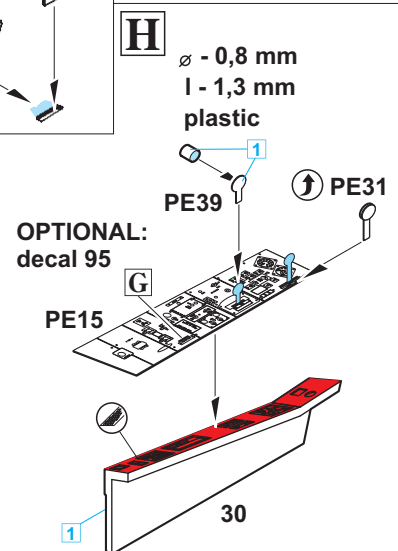
OPTIONAL:
decal 96

OPTIONAL:
decal 96

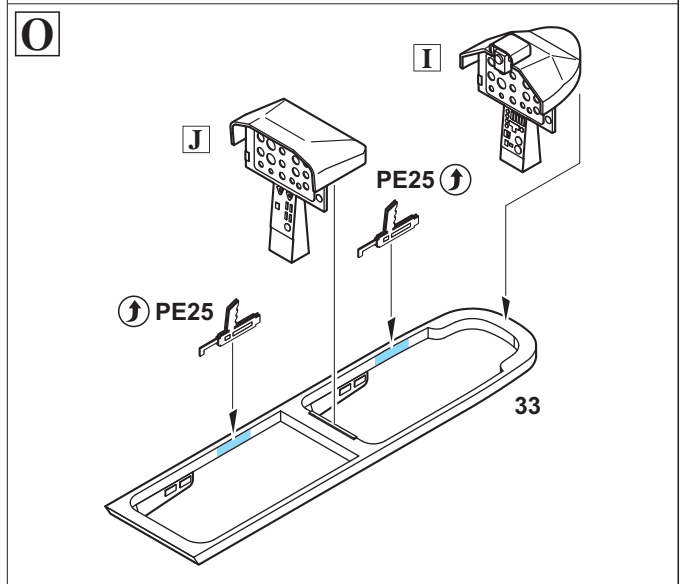
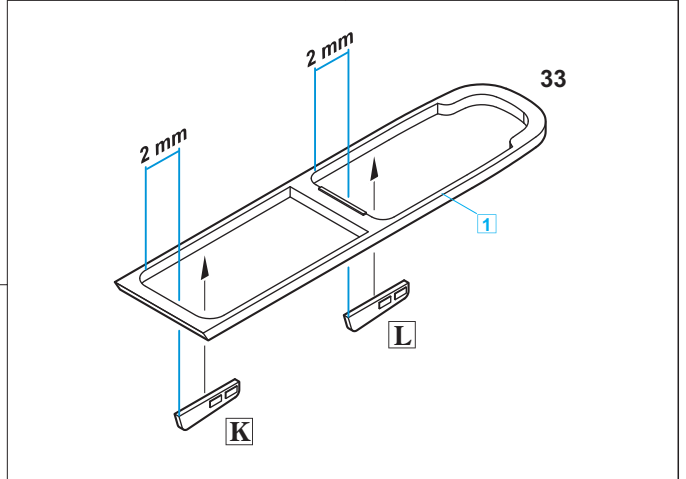
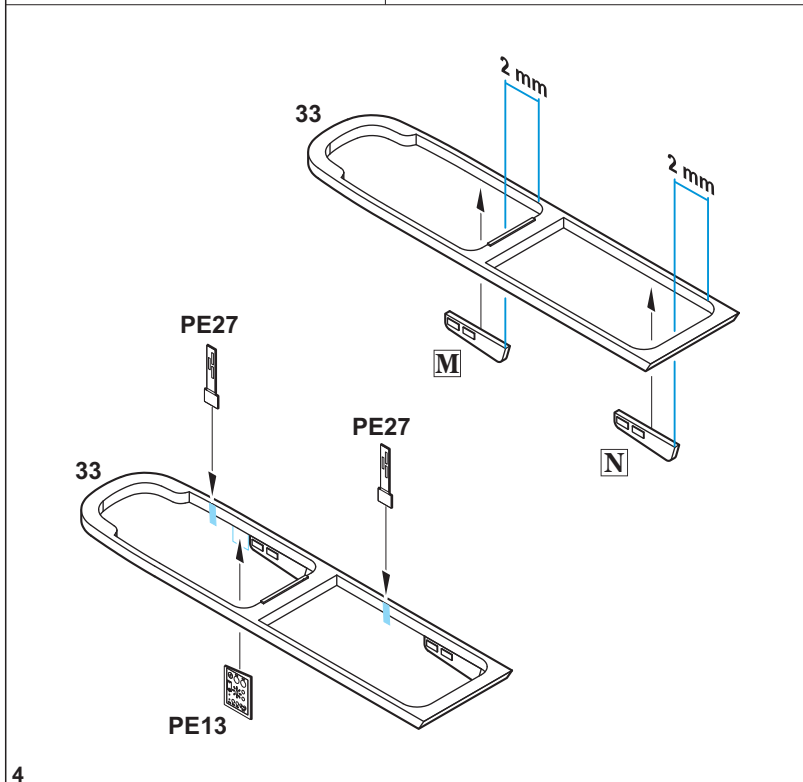
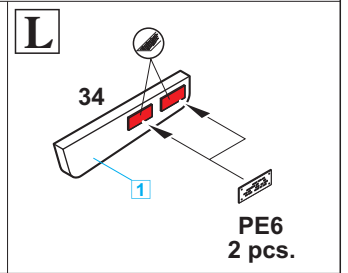
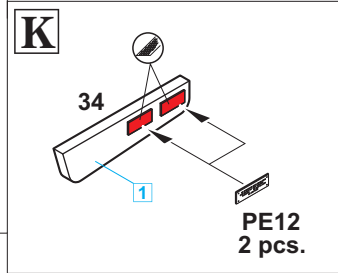
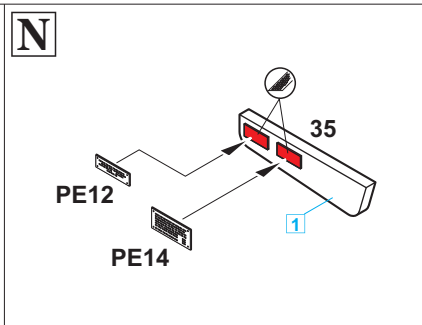
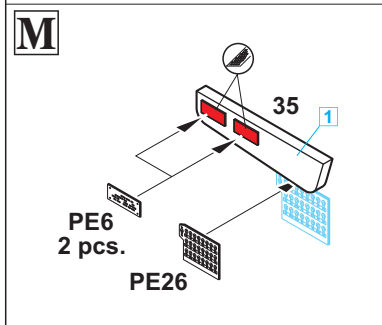
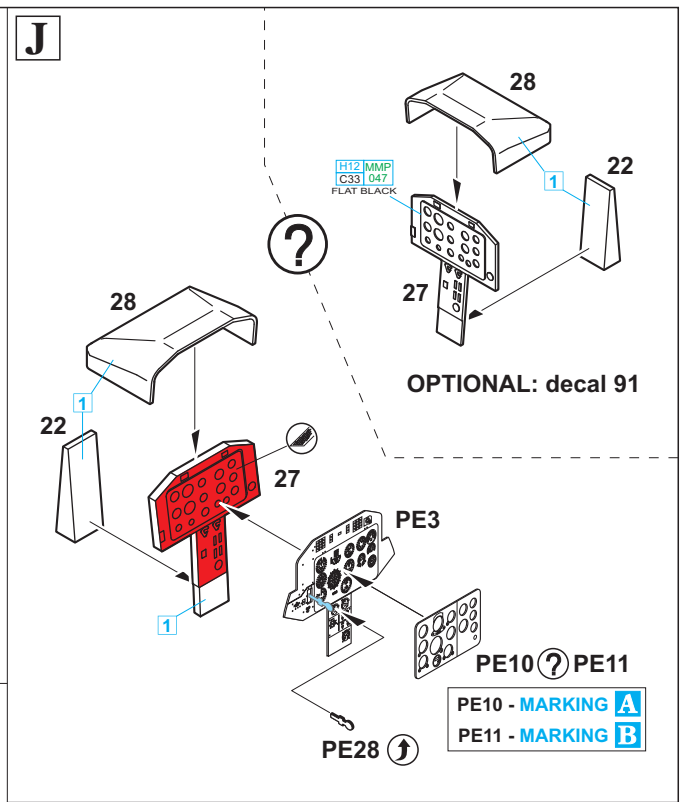
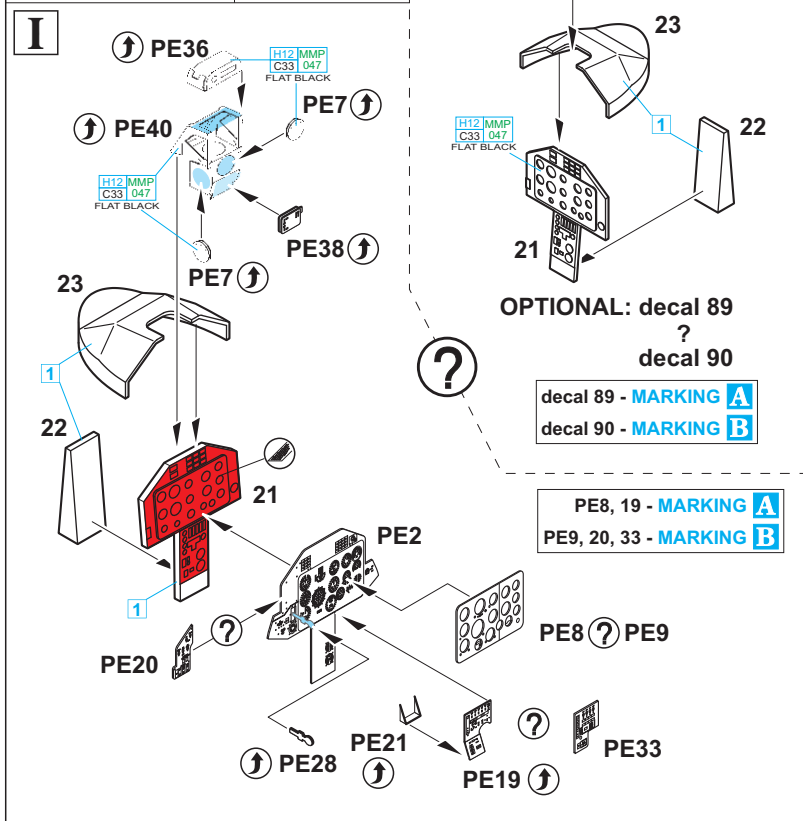
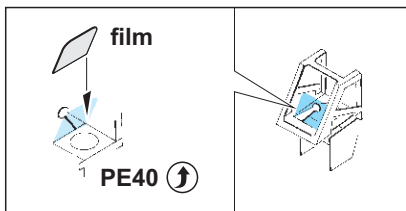
F



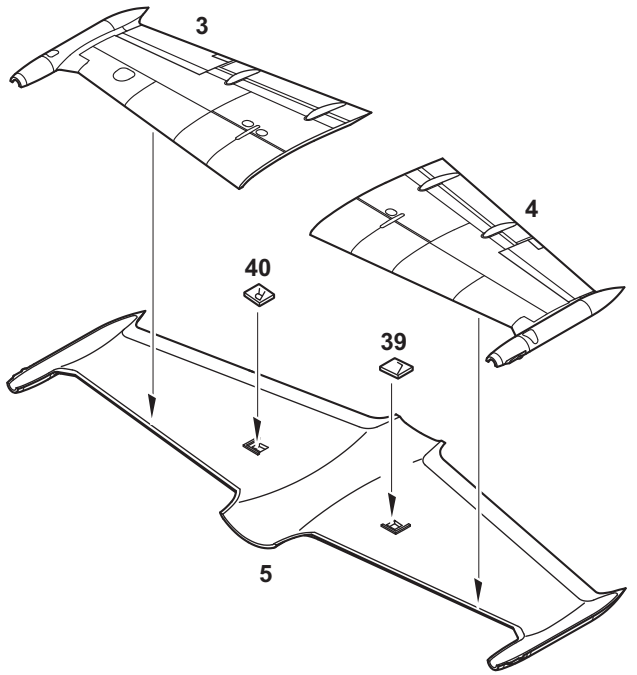
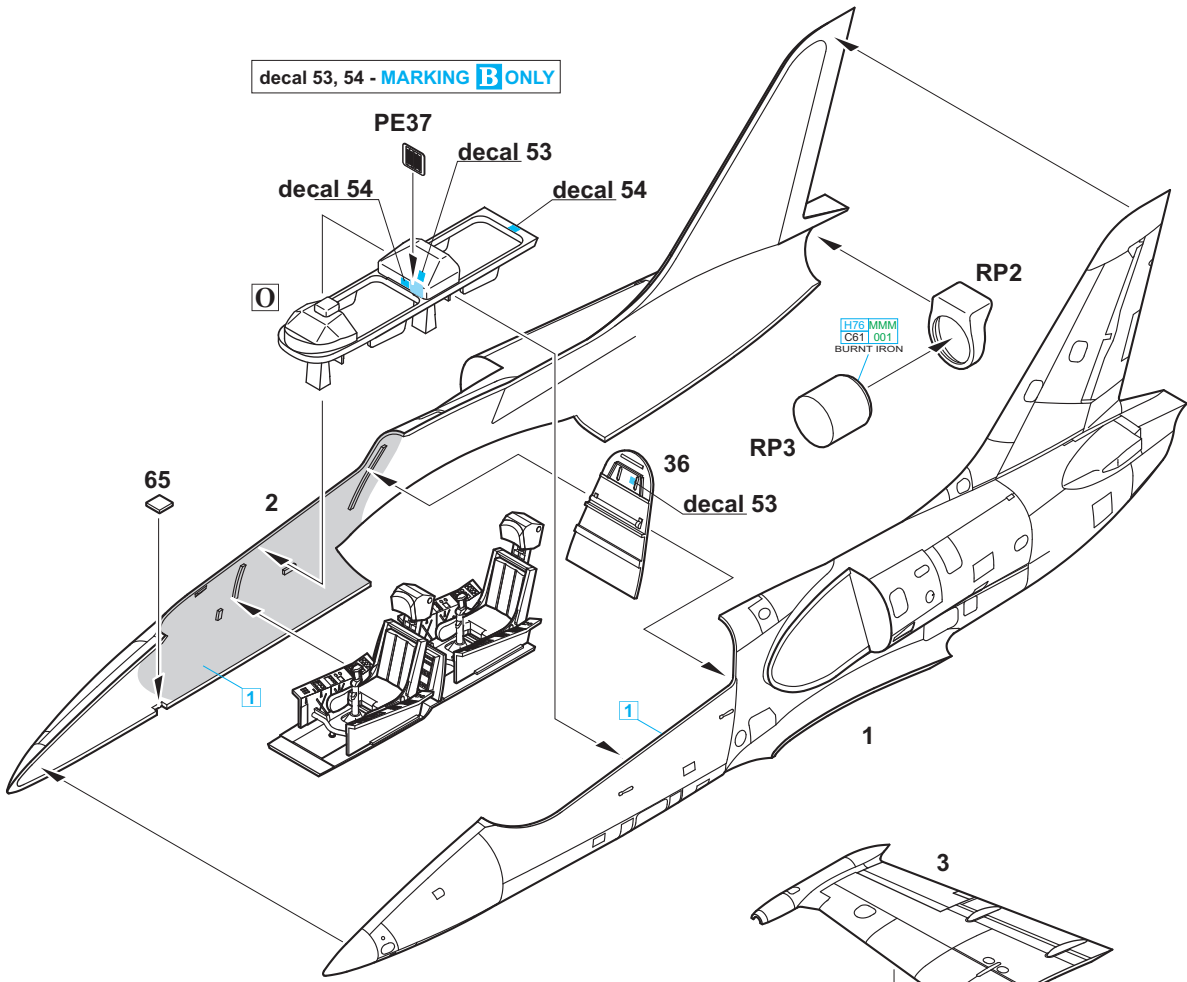
H
∅ - 0,8 mm
l - 1,3 mm
plastic



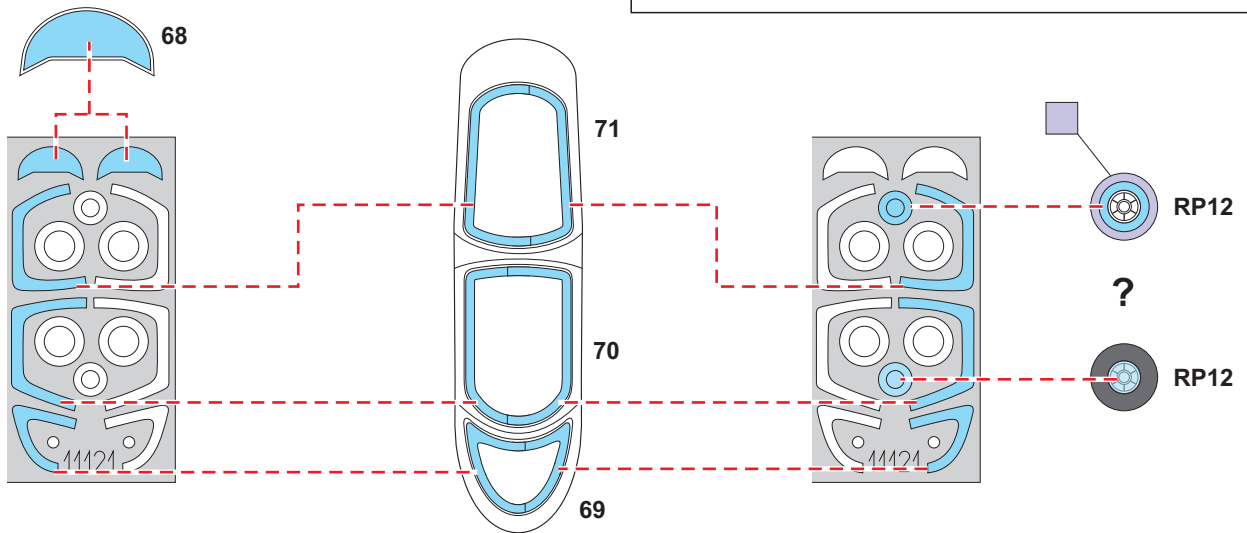
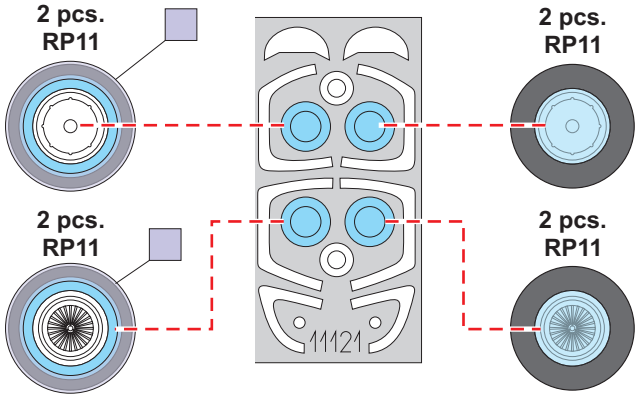
1 = H308/MMP C308 073 GRAY - MARKING A
60% SKY BLUE + 20% BRIGHT GREEN + 20% COBALT BLUE - MARKING B

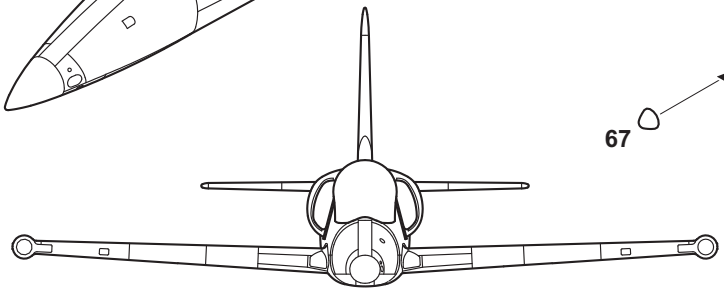
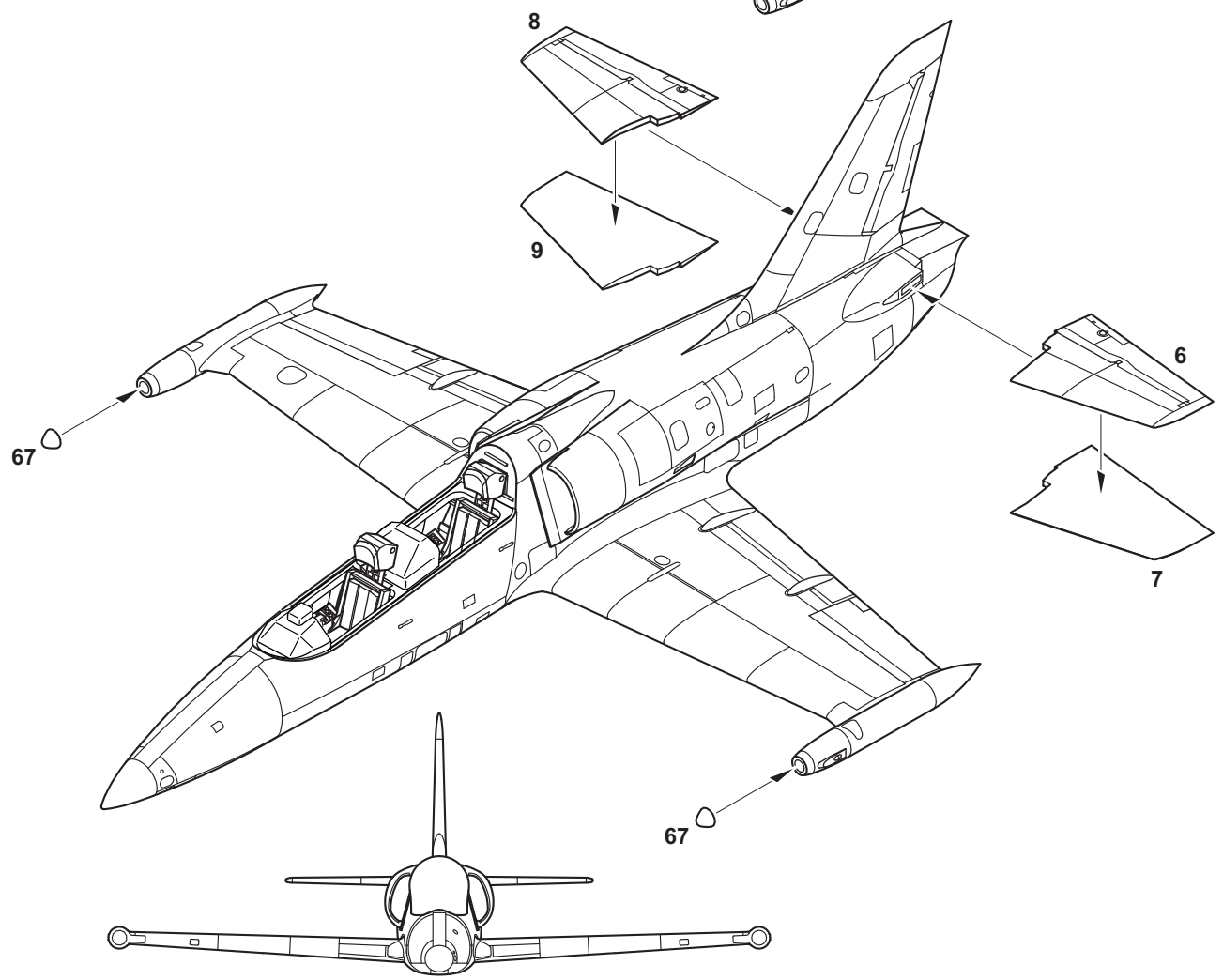
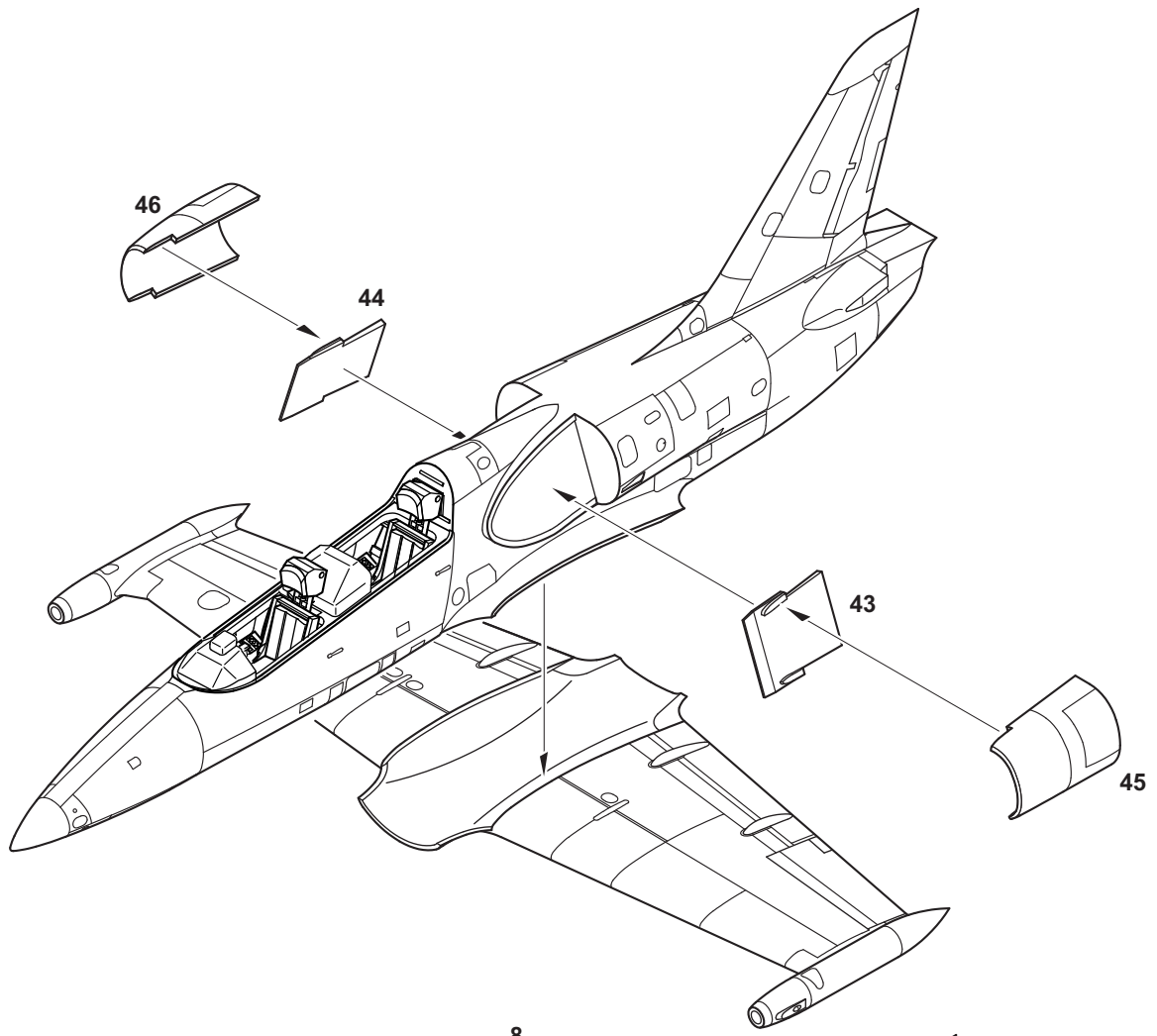


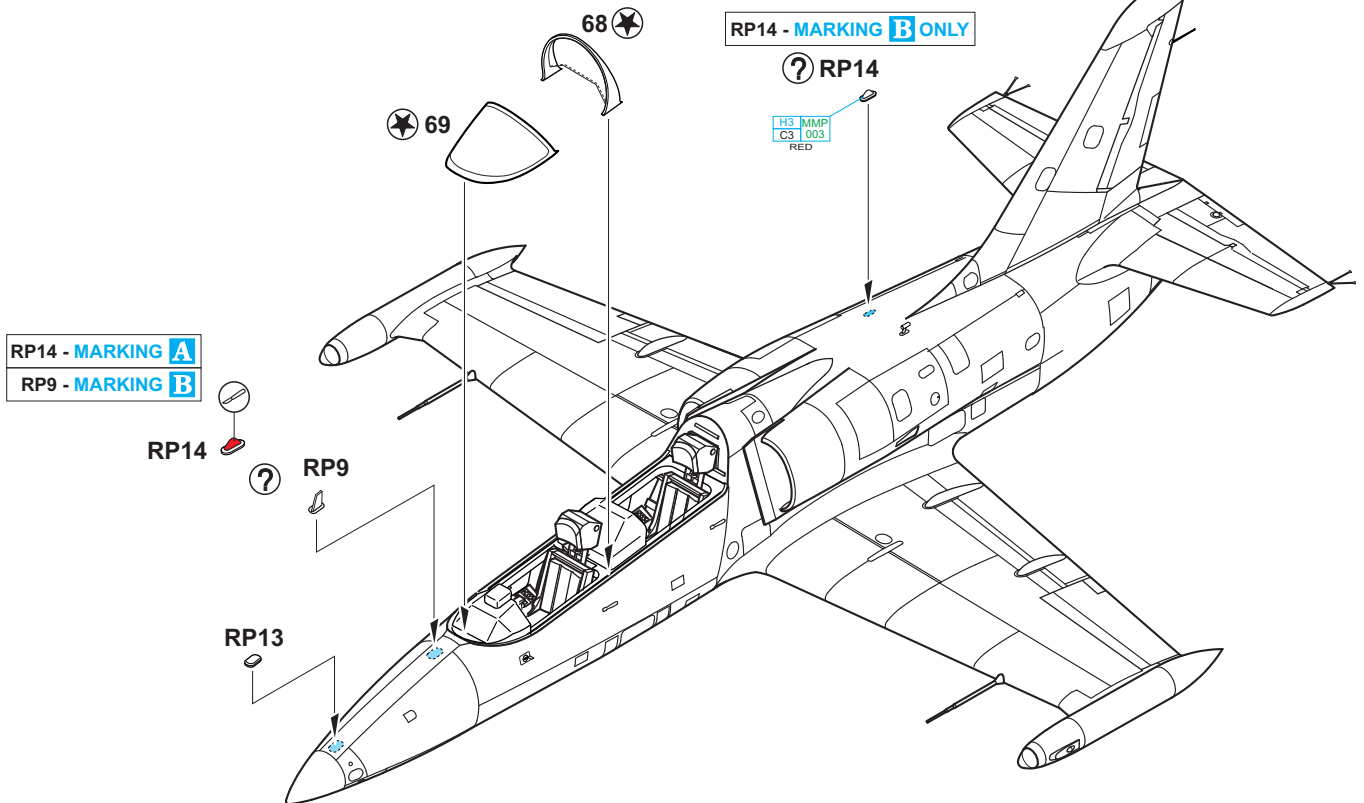
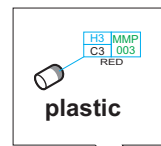
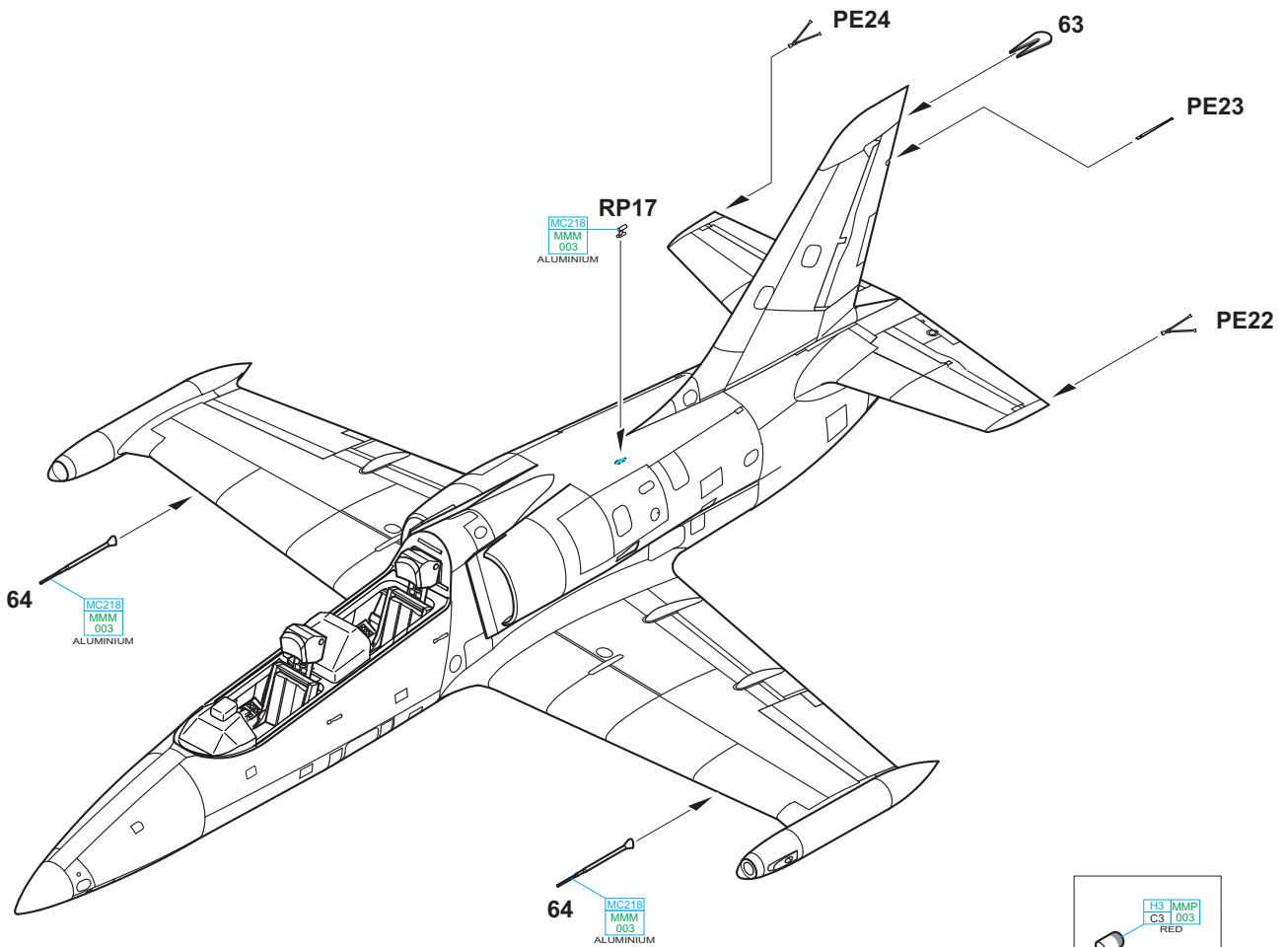
decal 53, 54 - MARKING B ONLY



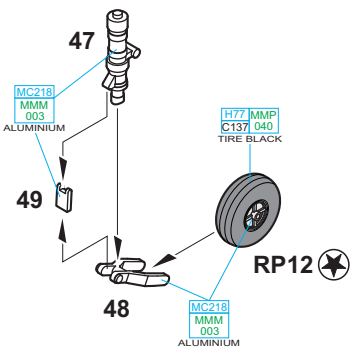
LIQUID MASK



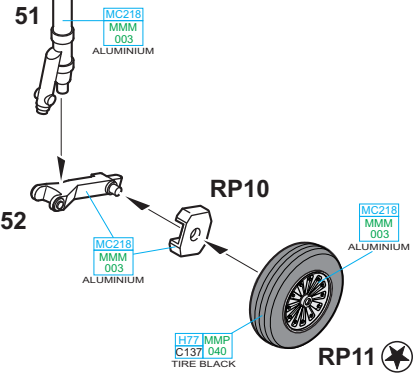




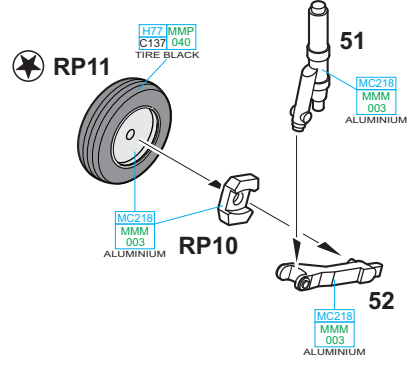
P



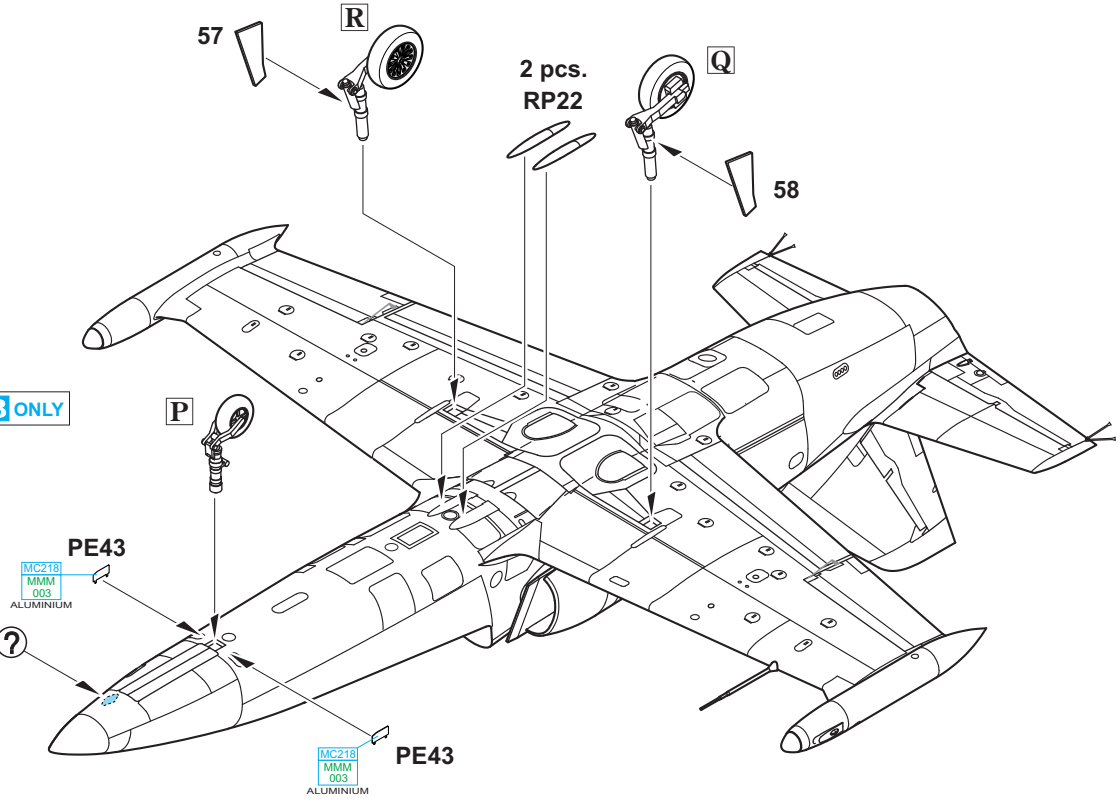
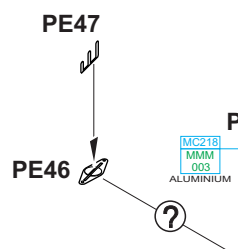
Q



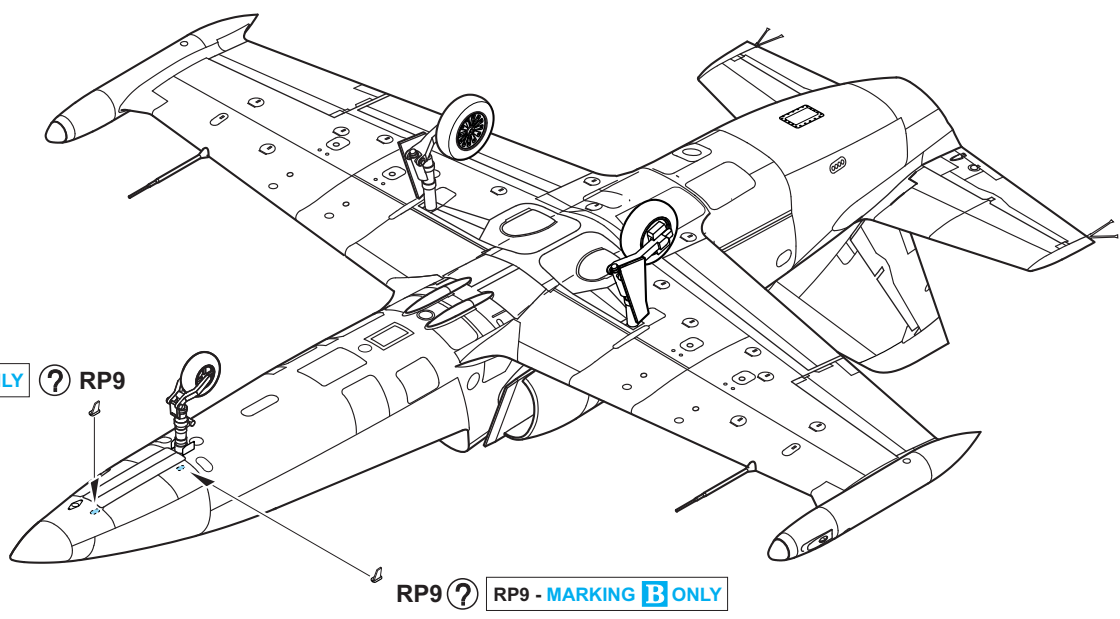
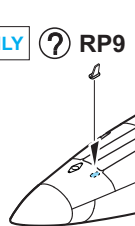
R

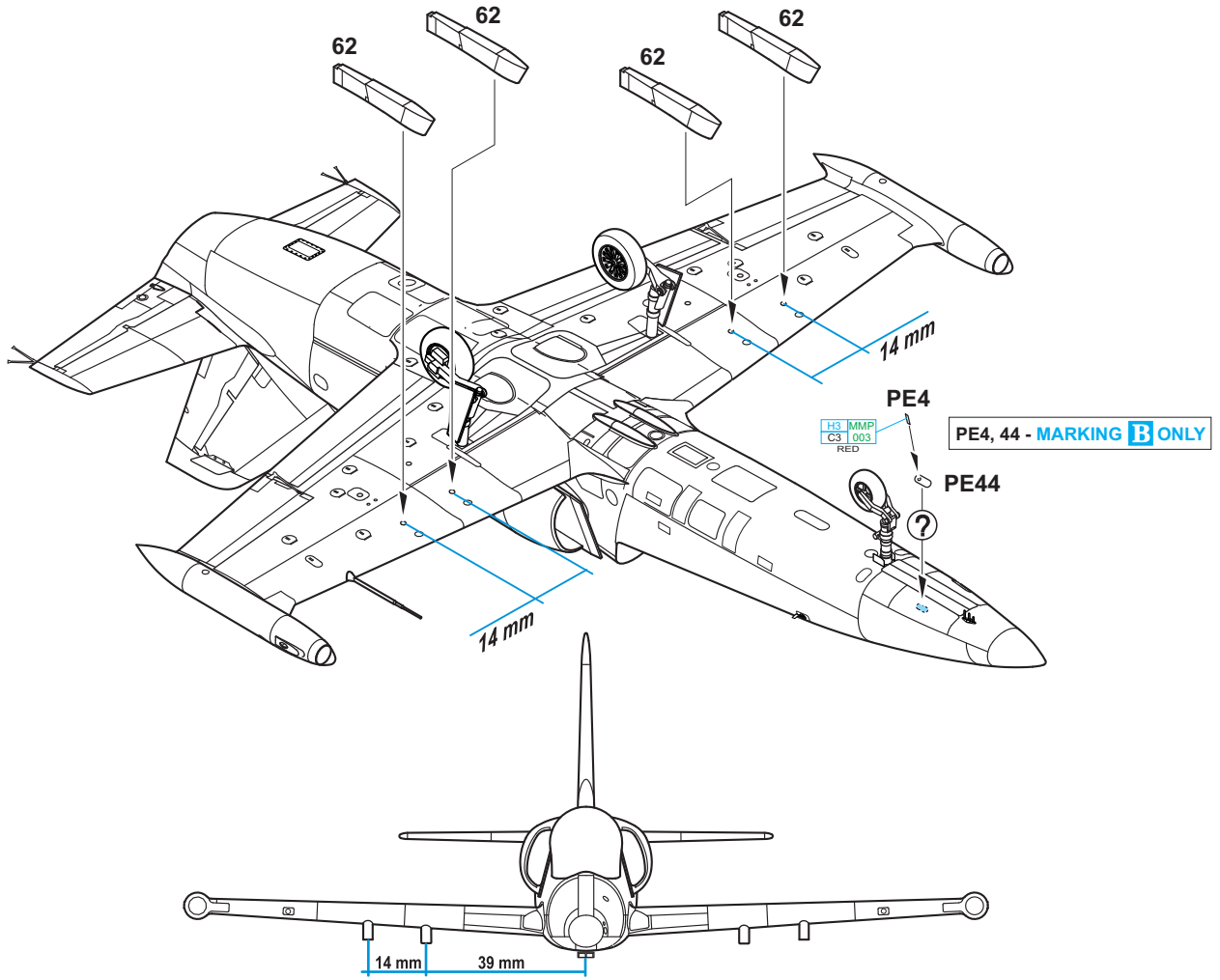


PE46, 47 - MARKING **B** ONLY

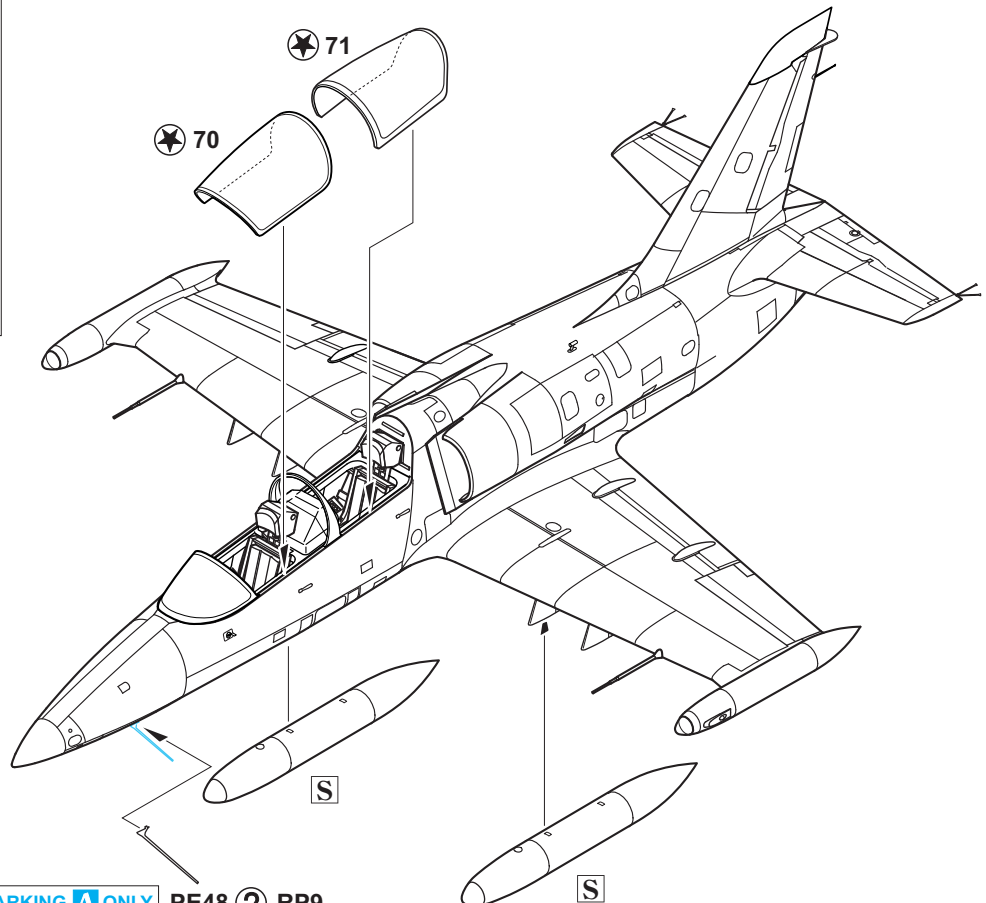
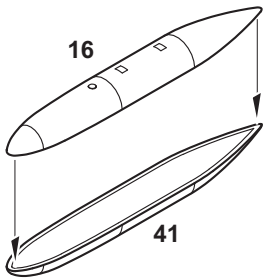


RP9 - MARKING **A** ONLY





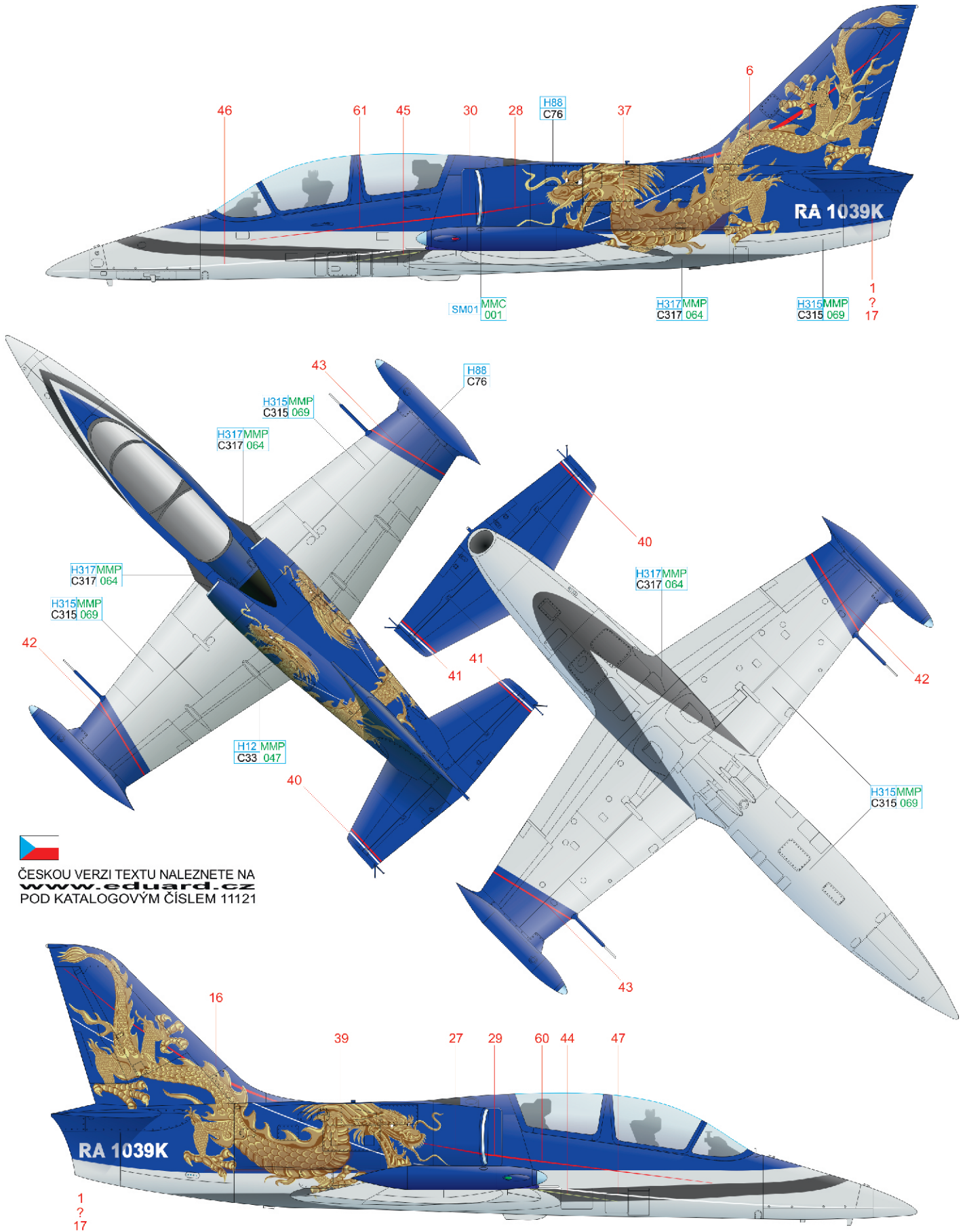
S 2 pcs.



PE48 ? RP9 - MARKING A ONLY PE48 ? RP9

A L-39C, RA1039K, Aero Jet Club, Myachkovo Aerodrome, Moscow, Russian Federation, May 2005

Between the years 1973 and 1991, the Soviet Union accepted a total of 2081 C version L-39s which served for the training of military pilots. After the fall of the Soviet Union in 1991, 1202 L-39s remained in the Russian Federation, while the remaining aircraft were distributed among the newly formed nations. One aircraft was purchased by Aero Jet Club, based at Myachkovo Aerodrome. Here, the aircraft flew under a civil registry and received a striking colour scheme, including the artwork of a dragon. It is said that Russian president V. V. Putin flew this aircraft.



ČESKOU VERZI TEXTU NALEZNETE NA
www.eduard.cz
 POD KATALOGOVÝM ČÍSLEM 11121

B L-39ZO, s/ n 831135, flown by. Lt. Laszló Goron, 59th Szentgyörgyi Dezső Airbase, Kecskemet, Hungary, 2005

On the request of foreign clients, the L-39C was developed into the L-39ZO between 1973 and 1976. Among other modifications, the ZO version was given four wing pylons with a strengthened structure and landing gear. In 1994 Hungary received 24 aircraft from Germany for the symbolic price of one DM. The last of these aircraft arrived in the fall of 2009. Aircraft coded 135 was camouflaged on the upper and side surfaces in shades of brown and green while the undersides were in light blue. Under the guidance of Crew Chief MSgt. Lajos Molnar, the aircraft acquired an attractive sharkmouth design and the vertical tail surfaces received the Hungarian national colours. The airport from which this aircraft flew was named after Dezsó Szentgyörgyi, the most successful Second World War Hungarian pilot with thirty confirmed kills.

ČESKOU VERZI TEXTU NALEZNETE NA
www.eduard.cz
 POD KATALOGOVÝM ČÍSLEM 11121

90% H56 MMP C72 071 + 10% H6 MMP C6 004

H323 C323 66 72 78 71 82 83 84 86 70 63 62 H302 C302 H310MMP C310 060 10

H56 MMP C72 071 + H6 MMP C6 004

H11 MMP C62 001 68 57 87 76 ? 77 75 SM01 MMC 001 H51 MMP C11 063 H325MMP C325 069 H302 C302 48 64

LEFT FUEL TANK H405 C126 H27 C44

H310MMP C310 060 48 H302 C302 H51 MMP C11 063 H302 C302 49

90% H56 MMP C72 071 + 10% H6 MMP C6 004

H3 MMP C3 003 H302 C302 38 73 H27 C44 H405 C126 RIGHT FUEL TANK H3 MMP C3 003 H302 C302 H11 MMP C62 001 74 72 11 H325MMP C325 069

62 63 69 88 67 80 72 65 79 49 81 51 77 76 ? 75

BLUE	H323 C323	WHITE	H11 MMP C62 001	LIGHT GRAY	H325MMP C325 069	OLIVE GREEN	H405 C126
DARK GREEN	H302 C302	LIGHT GRAY	H51 MMP C11 063	BROWN	H310MMP C310 060	SAND	H27 C44
						DARK GREEN	H56 MMP C72 071 + H6 MMP C6 004
							SUPER CHROME SM01 MMC 001

eduard 11

