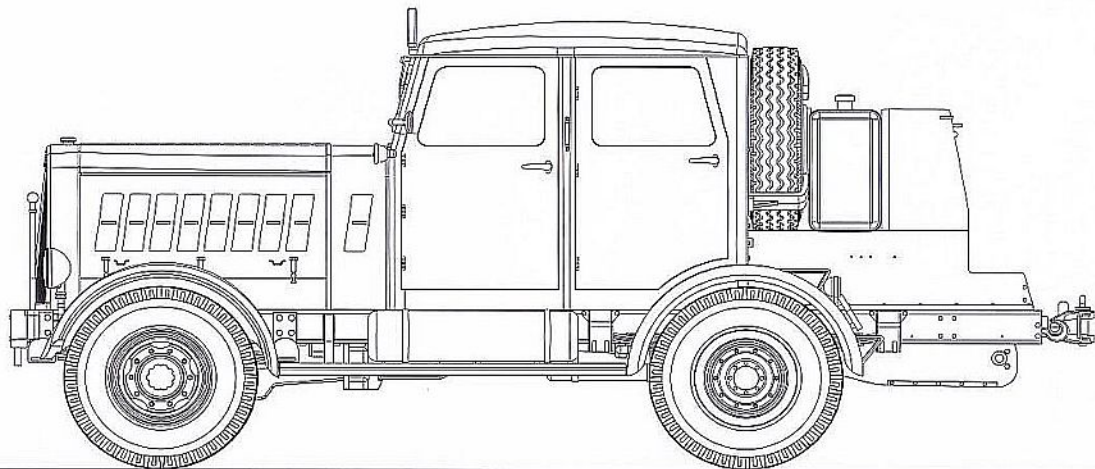


HANOMAG SS 100



The Wehrmacht heavy tractor multi-purpose vehicle Hanomag SS-100 was produced from 1936 to 1945. Originally manufactured in 1936 as the SP-100 heavy agriculture tractor, it was quickly pressed into military service with both the Wehrmacht and the Luftwaffe, and became one of the most widely used heavy tractors in German military service. Powered by a 8560 cc 6-cylinder D85 diesel engine, it could accommodate up to five passengers and a driver and supported a variety of supplemental equipment attached to the rear frame. Among other things, V2 units used it to tow the Meillerwagen, which transported the V2 rocket to the launch site and erected the rocket onto the firing stand. After 1945 it was produced in France as the ST-100. Known in the civilian world as the 'Gigant', Hanomag road tractors of all sizes were popular as offroad transport well into the 1960's.

READ BEFORE ASSEMBLY

CAUTION

- Read carefully and fully understand the instructions before commencing assembly. A supervising adult should also read the instructions if a child assembles the model.
- When assembling this kit, tools including knives used. Extra care should be taken to avoid personal injury.
- Keep out of reach of small children. Children must not be allowed to suck any part, or pull vinyl bag over their heads.



Optional



Heating



Do Not Cement



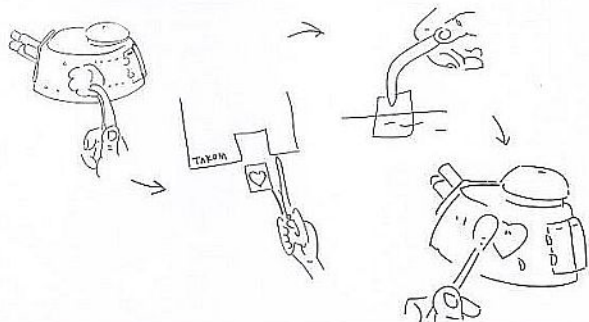
Painting



Apply Decal

APPLYING DECALS

1. Clean the model surface with a wet cloth.
2. Cut out each decal design from sheet, and dip it in tepid water for 15-20 sec.
3. Hold the backing sheet edge and slide decal onto the model.
4. Move decal into position by wetting decal with finger.
5. Press decal gently down with a soft cloth until excess water and air bubbles are gone.



PAINTS REQUIRED

Color info and profiles by Mig Jimenez

AMIG 001

Olivgrun

AMIG 003

Rubber &
Tires

AMIG 196

Silver

AMIG 010

Dunkelgelb

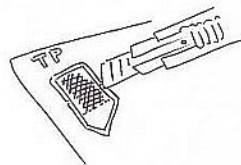
AMIG 008

Dunkelgrau

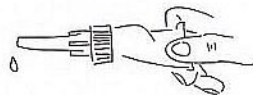
AMIG 083

Crystal Red

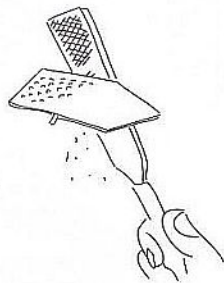
REMOVING PE



Be careful not to hurt when removing PE parts.

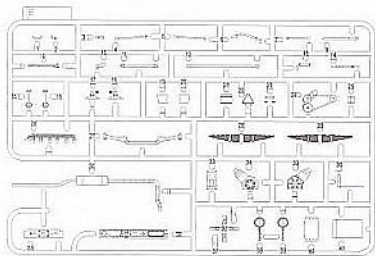
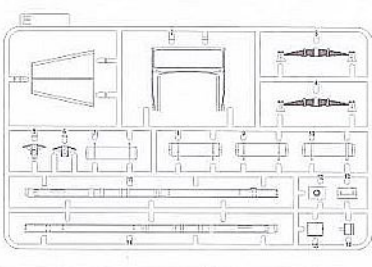
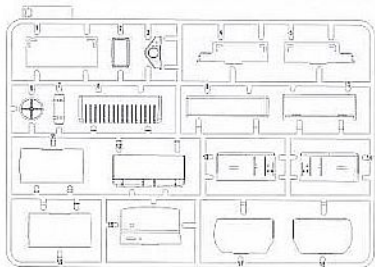
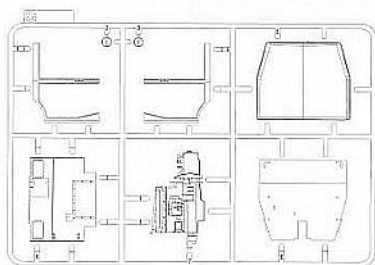
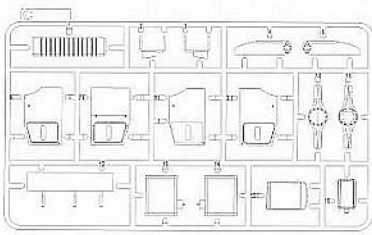
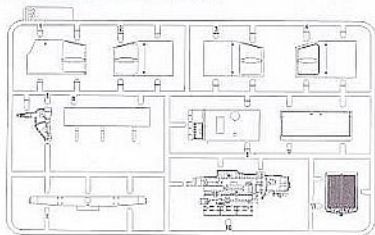


Secure using instant glue (not included).

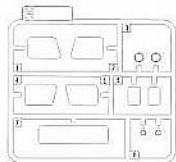
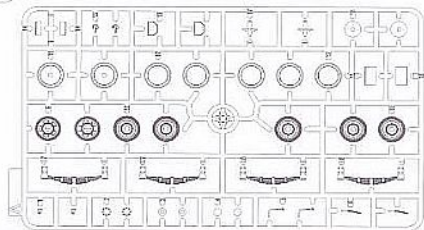


Finish using file.

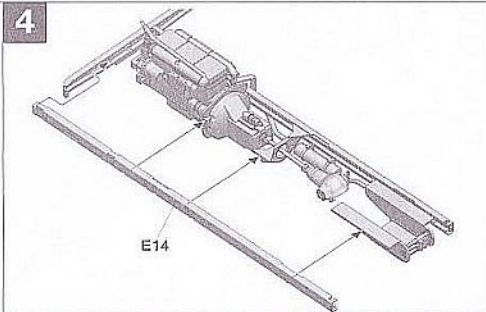
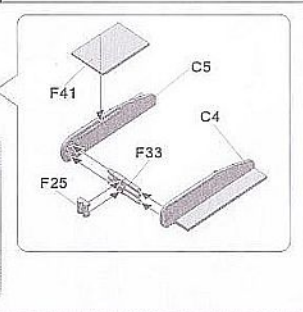
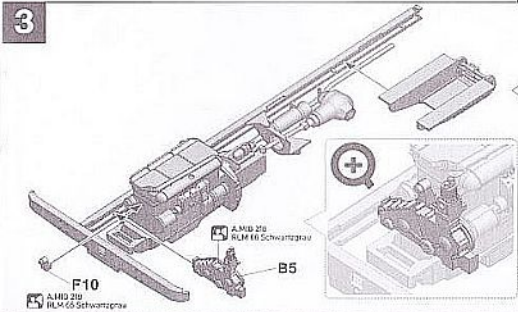
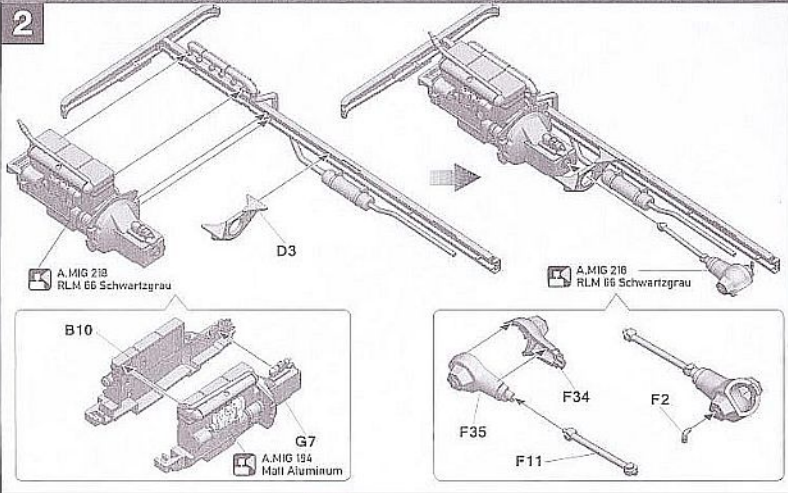
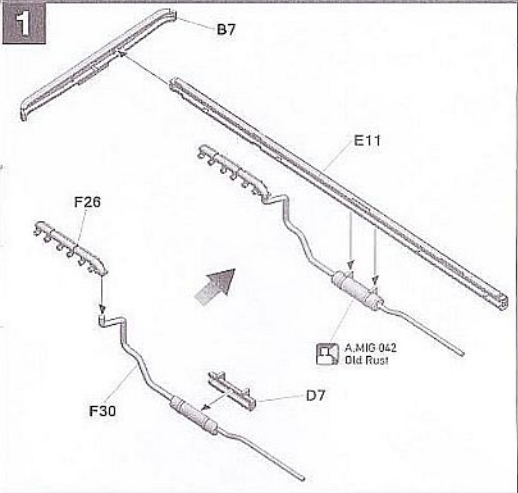
PARTS



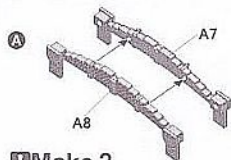
Decal



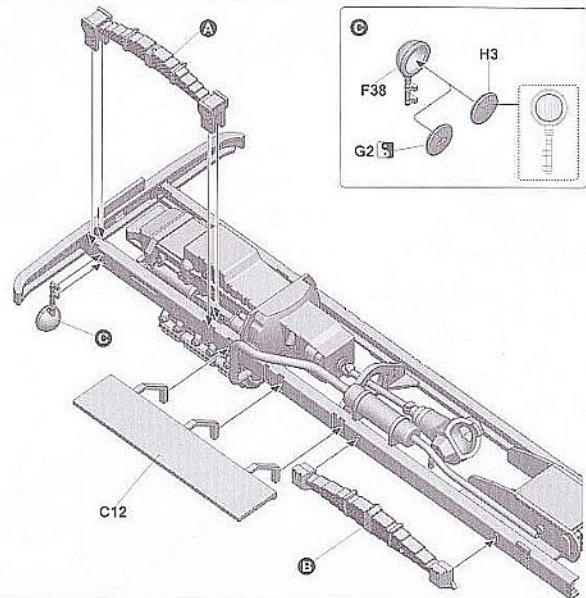
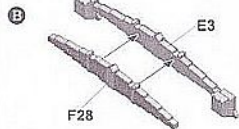
X7



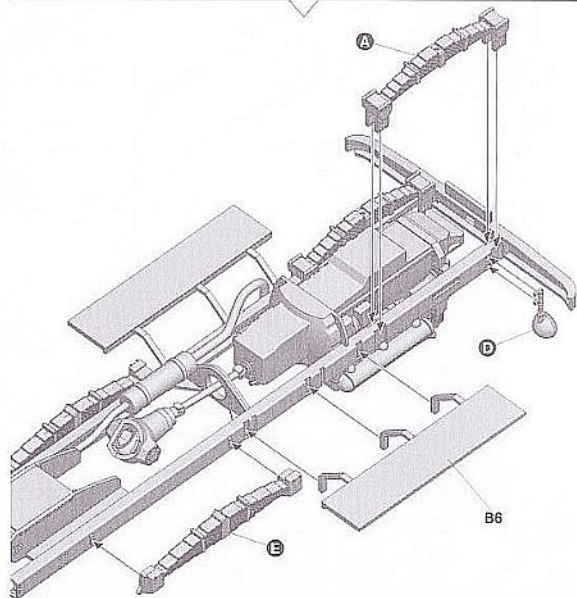
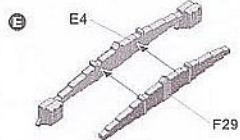
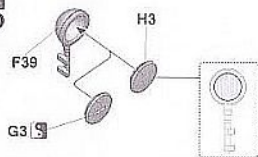
5



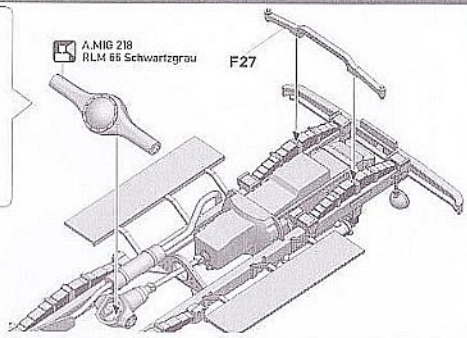
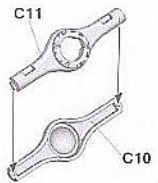
Make 2



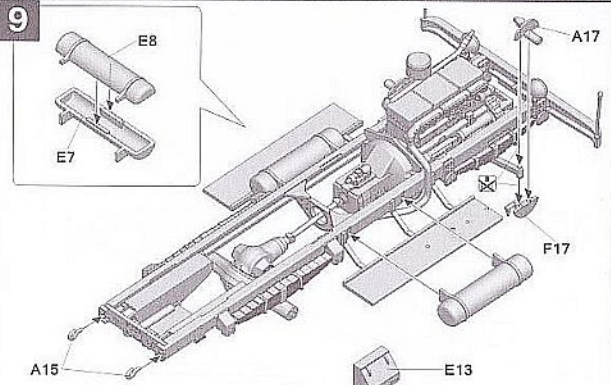
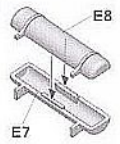
6



7

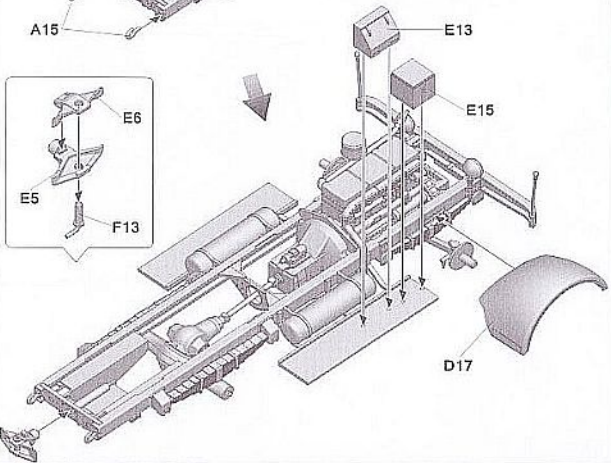
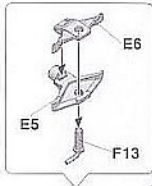
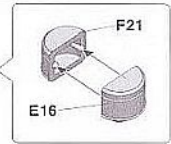
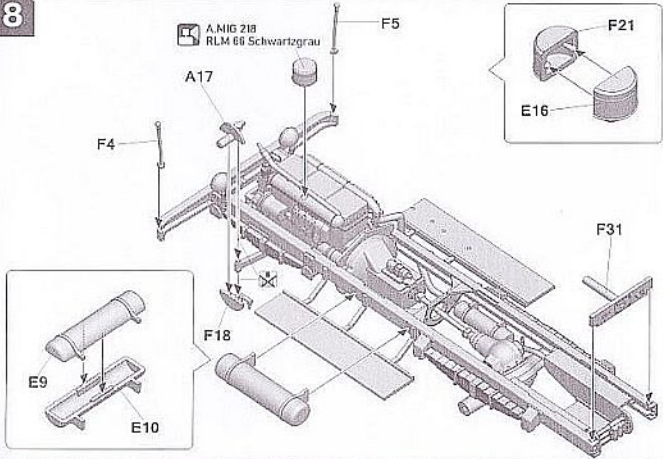


9

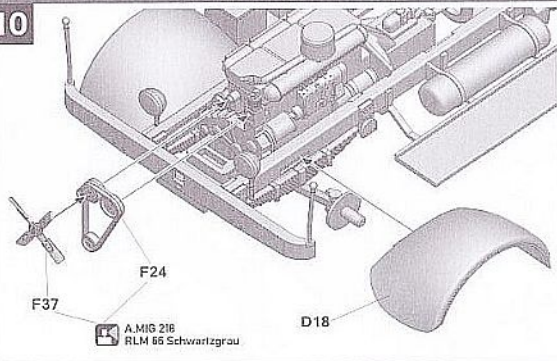


8

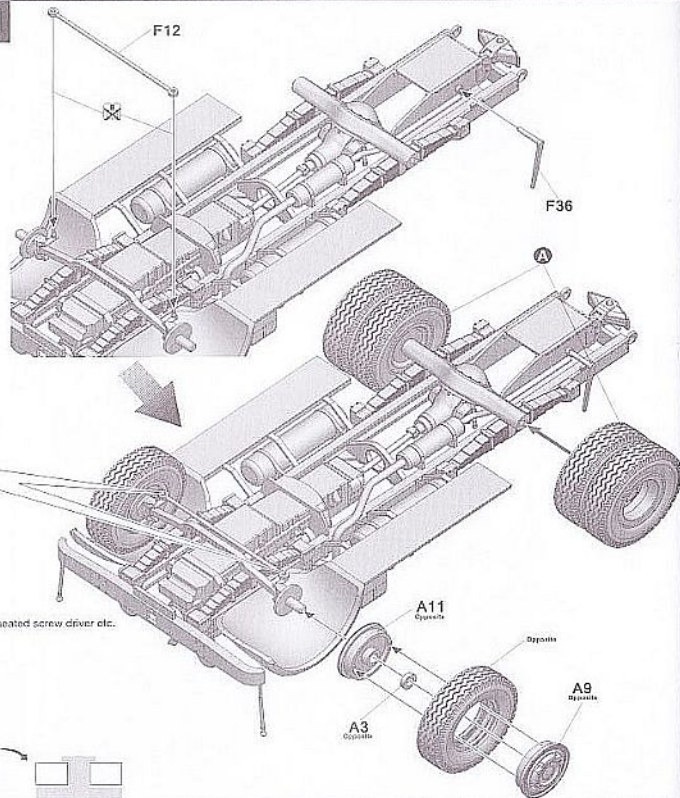
A.MIG 218
RLM 66 Schwartzgrau



10

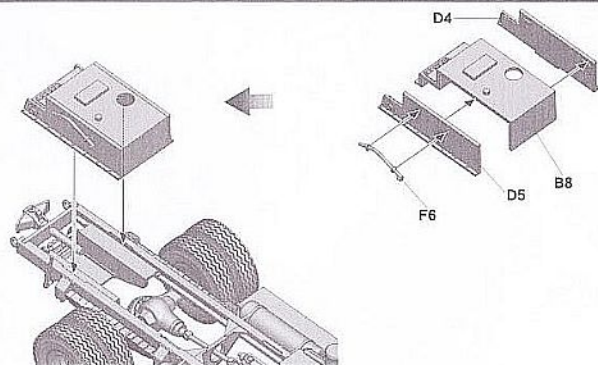


11

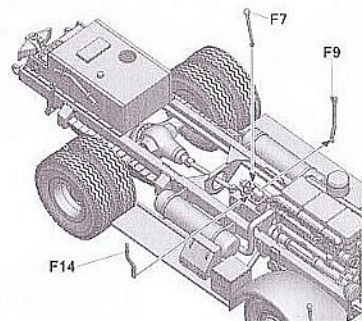


Make 2

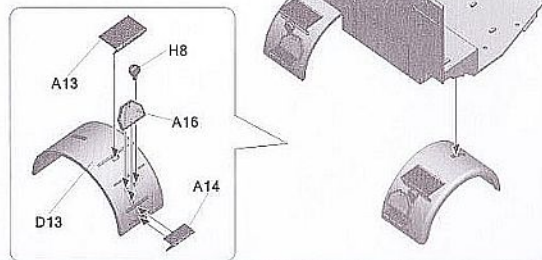
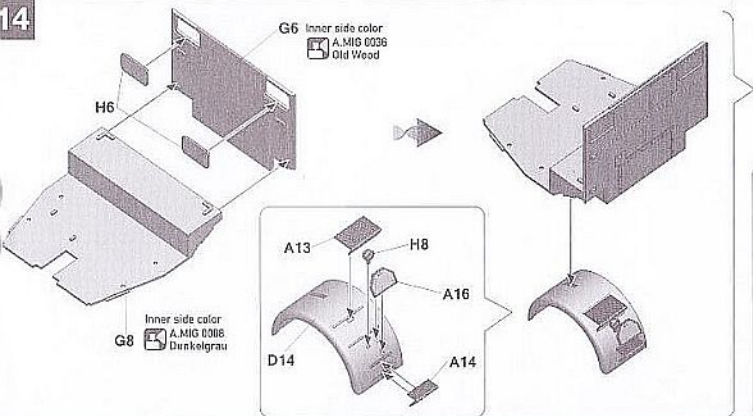
12



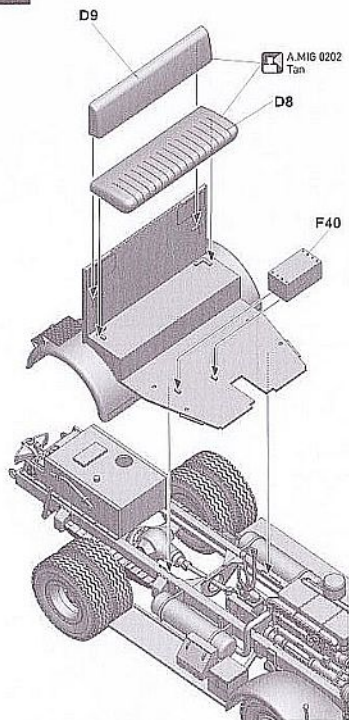
13



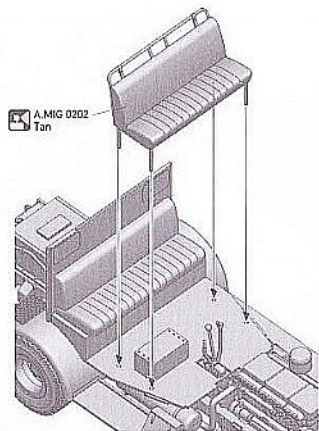
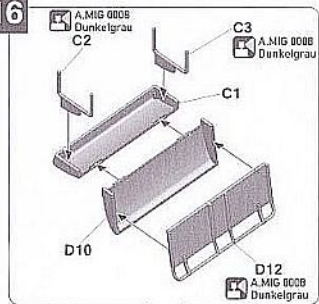
14



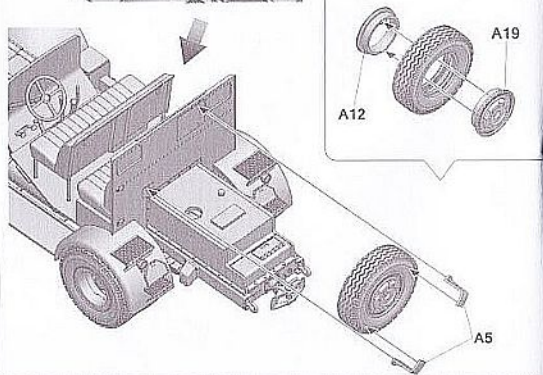
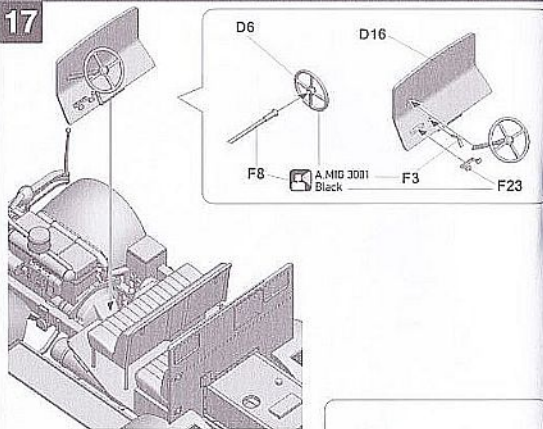
15



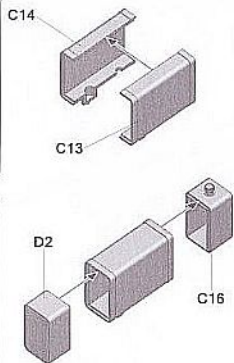
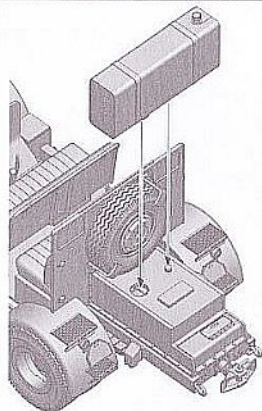
16



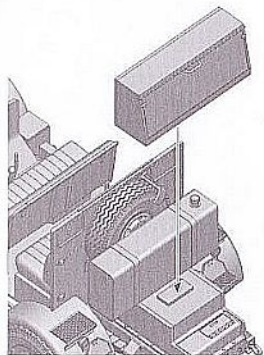
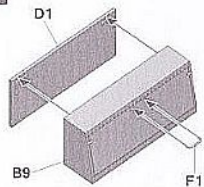
17



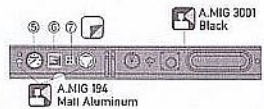
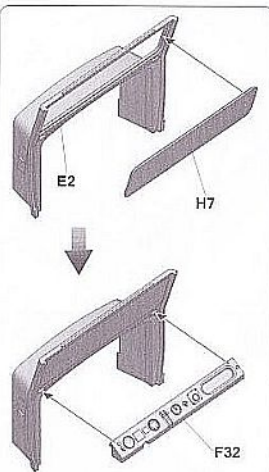
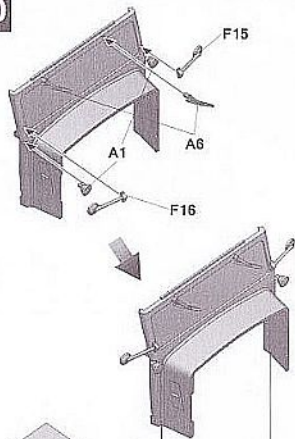
18



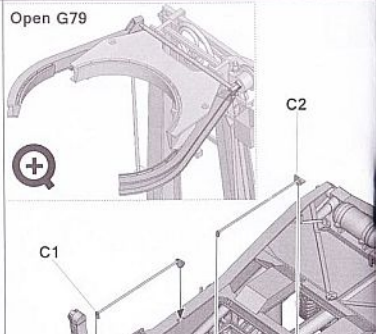
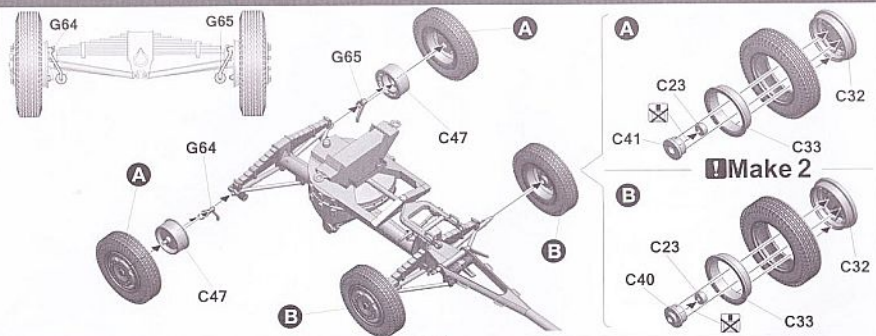
19



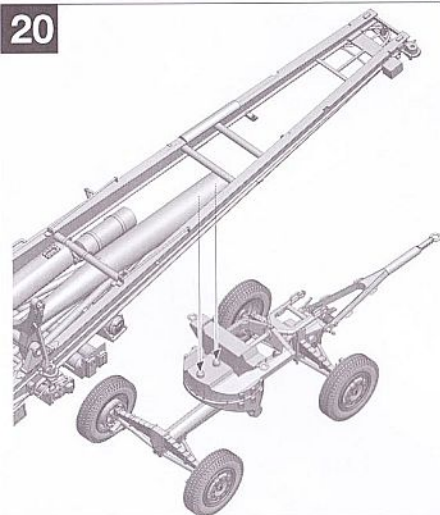
20



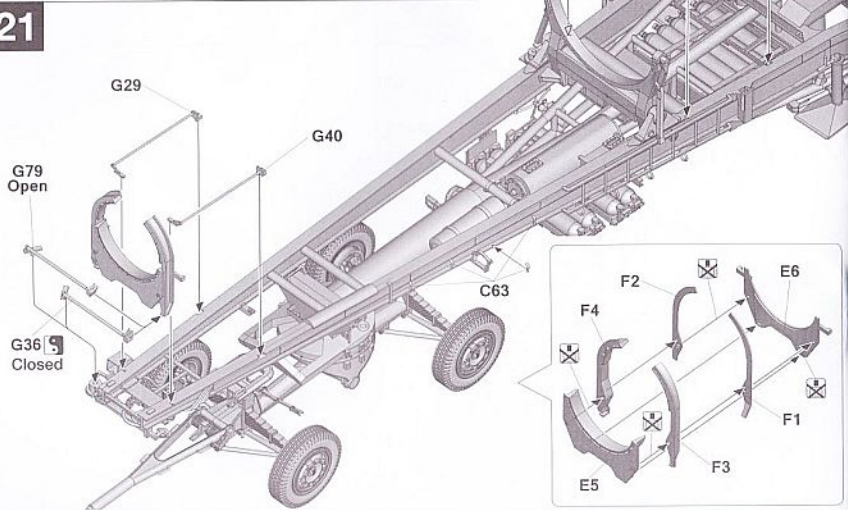
19

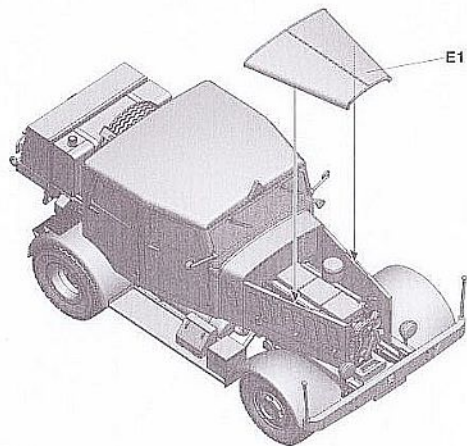
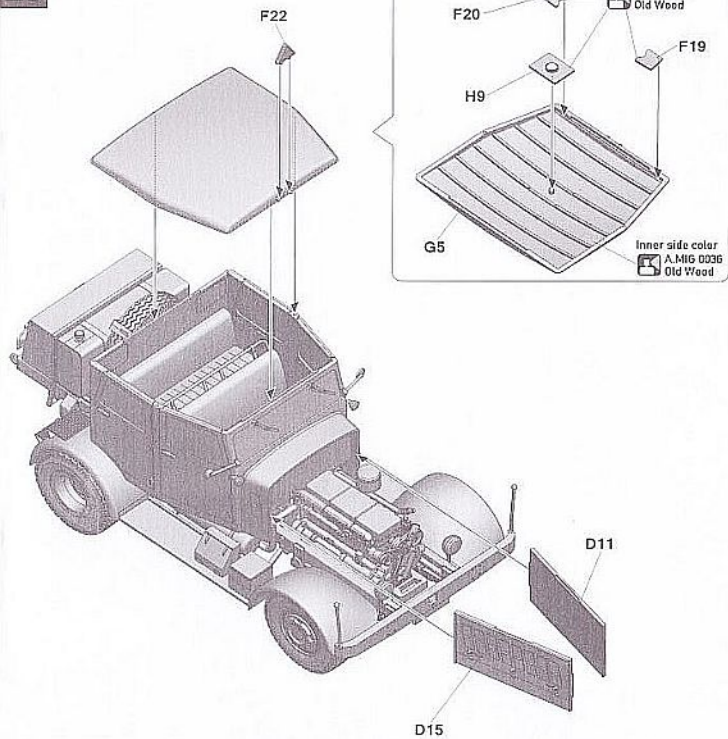


20

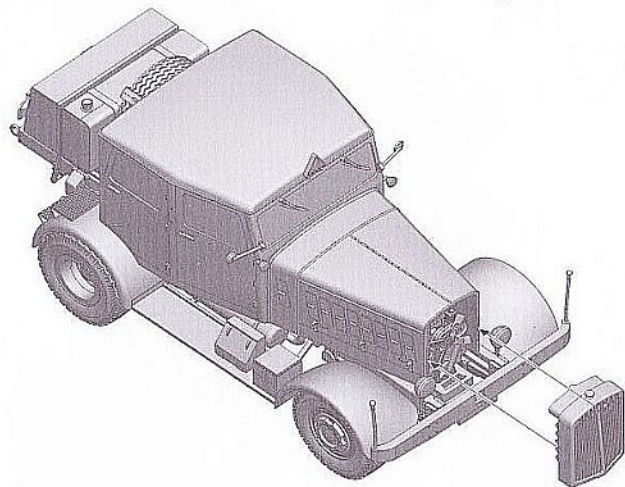
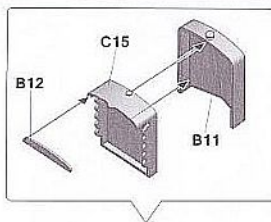


21

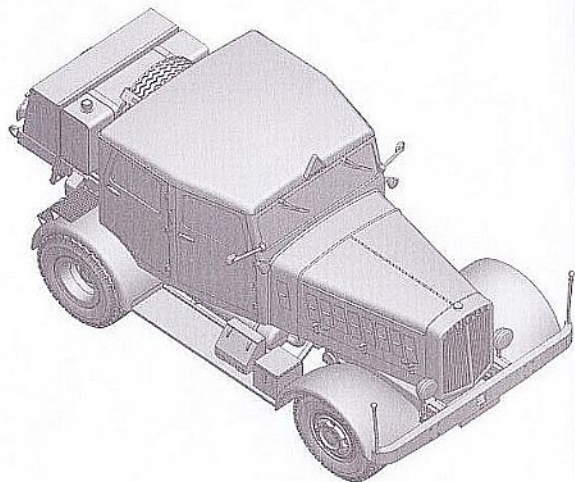




25



26



03.03.2068



HANOMAG SS 100

WWII GERMAN TRACTOR

Color info and profiles by



Painting and Marking Guide

Belgium, 1944

A.MIG.001 Olympein

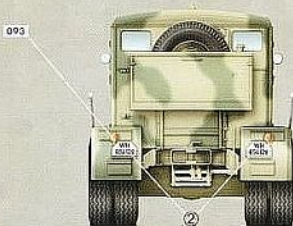
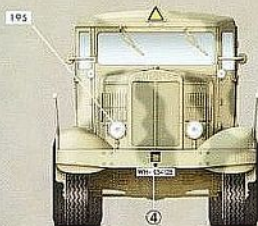
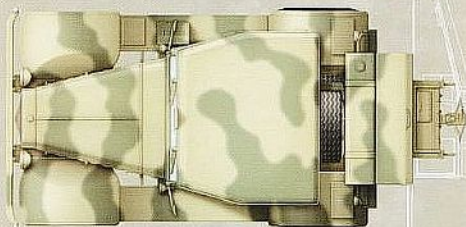
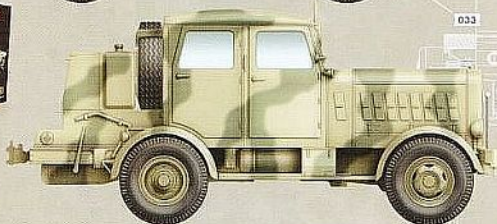
A.MIG.033 Rubber & tires

A.MIG.195 Silver

A.MIG.093 Crystal red

A.MIG.011 Dunkelgelb

You can find some of these paints in this AMMO colour set



TAKOM

WWII German tractor HANOMAG SS 100 Ref: 2068

03.03.2068



HANOMAG SS 100

WWII GERMAN TRACTOR

Color info and profiles by



Painting and Marking Guide

Tempelhof, 1942 (Berlin)



Dunkelgrün



Rubler & Töne

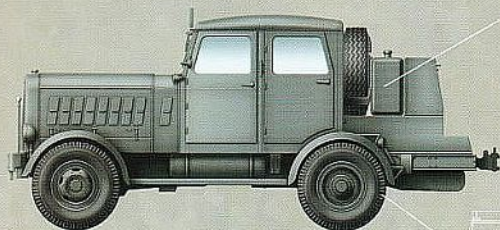


Silber

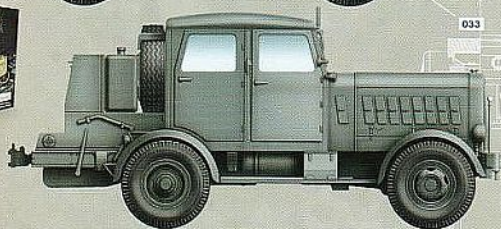


Control red

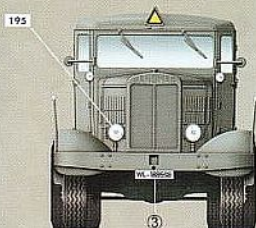
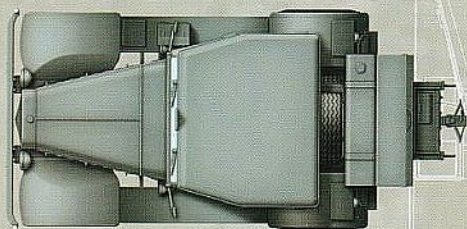
You can find some of these paints in this AMMO colour set



008

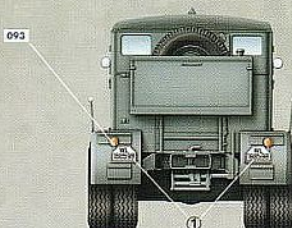


033



195

3



093

1

TAKOM

WWII German tractor HANOMAG SS 100, Ref. 2068

03.03.2068



HANOMAG SS 100

WWII GERMAN TRACTOR

Color info and profiles by



Painting and Marking Guide

Peenemünde, 1943

AMMO 010

Dunkelgelb 5

AMMO 033

Rubber & Tires

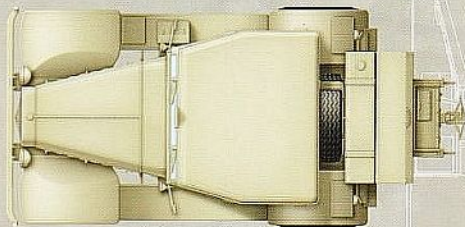
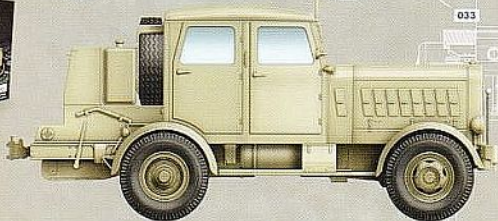
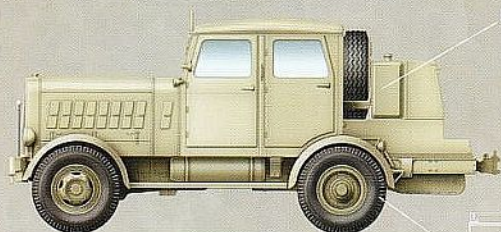
AMMO 195

Silver

AMMO 093

Cristal red.

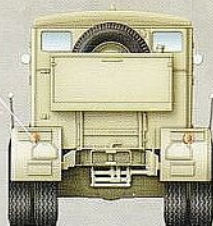
You can find some of
these paints in this
AMMO colour set



105



093



TAKOM

WWII German tractor HANOMAG SS 100 Ref. 2068

03.03.2068



HANOMAG SS 100

WWII GERMAN TRACTOR

Color info and profiles by



Painting and Marking Guide

Mittelwerk, 1945
(Nordhausen, Germany)

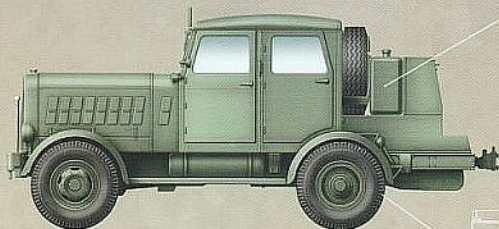
AMMO 001 Olivegreen

AMMO 033 Rubber & Tires

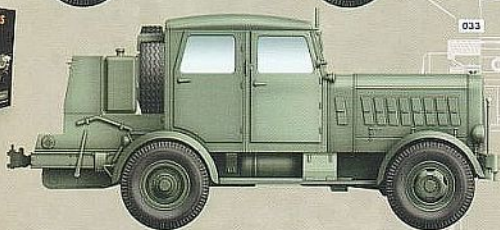
AMMO 195 Silver

AMMO 093 Crystal red

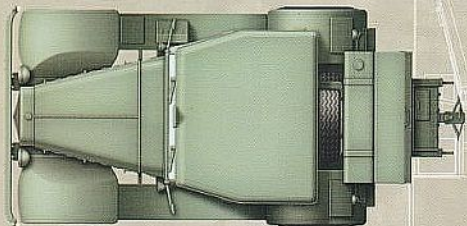
You can find some of these paints in this AMMO colour set



001



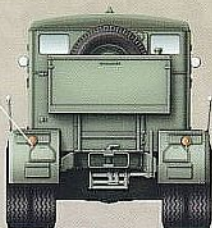
033



195



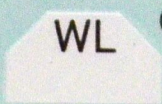
093



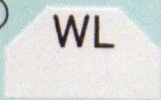
TAKOM

WWII German tractor HANOMAG SS 100 Ref: 2068

11111

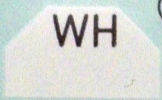


①

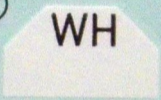


22222

33333



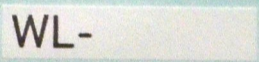
②



44444

55555

③

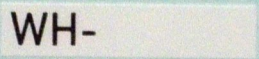


⑤

66666

77777

④



⑥



⑦

88888

99999

00000



03.04.2068 © 2016