

READ THIS BEFORE YOU BEGIN

- Study the assembly drawings.
- Each plastic part is identified by a number.
- Check the fit of each piece before cementing in place.
- Do not use too much cement to join parts.
- Use only cement for polystyrene plastic.
- Model may be painted to match photos on box.
- Allow paint to dry thoroughly before handling parts.
- Scrape paint from areas to be cemented.
- For better paint and decal adhesion, wash the plastic parts in a mild detergent solution. Rinse and let air dry.

LISEZ CE QUI SUIT AVANT DE COMMENCER LE MONTAGE

- Etudier les schémas d'assemblage.

- Chaque pièce plastique porte un numéro d'identification.
- Contrôler que chaque pièce soit bien conforme avant de la coller à sa place.
- N'utilisez pas trop de colle pour réunir les pièces.
- Utilisez uniquement une colle spéciale pour polystyrène.
- Le modèle peut être peint conformément aux photos sur la boîte.
- Laissez sécher la peinture complètement, avant de manipuler les pièces.
- Grattez la peinture sur les surfaces devant être collées.
- Pour assurer la meilleure adhésion possible de la peinture et des décalcomanies, lavez les pièces de plastique avec une légère solution savonneuse. Rincer et laisser sécher à l'air.

LEA ESTO ANTES DE EMPEZAR

- Estudie los dibujos de ensamble.
- Cada pieza de plástico se identifica por un número.
- Verifique que cada pieza encaje bien antes de pegar en posición.
- No use demasiado pegamento para unir las piezas.
- Use únicamente pegamento para plástico de poliestirina.
- El modelo puede pintarse de acuerdo con las fotografías de la caja.
- Permita que se seque la pintura completamente antes de tocar las piezas.
- Raspe la pintura de las superficies que serán pegadas.
- Para una mejor fijación de la pintura y de las calcomanías, lávense las piezas plásticas en una solución de detergente suave. Enjuáguese y déjense secar al aire.



CEMENT TOGETHER
À COLLER
UNIR CON PEGAMENTO



DO NOT CEMENT
NE PAS COLLER
NO USE PEGAMENTO

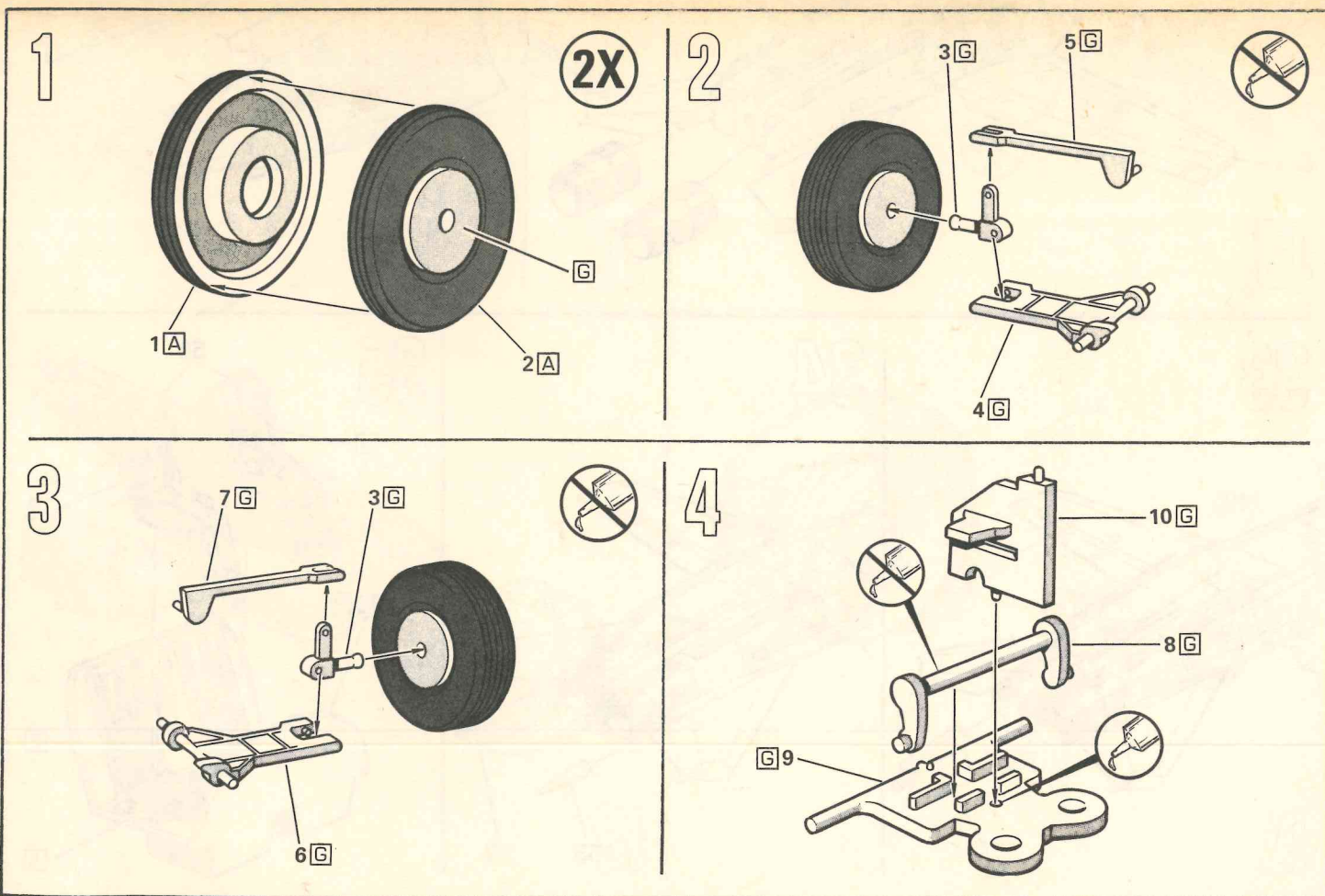


REPEAT SEVERAL TIMES
À RÉPÉTER PLUSIEURS FOIS
REPITA VARIAS VECES

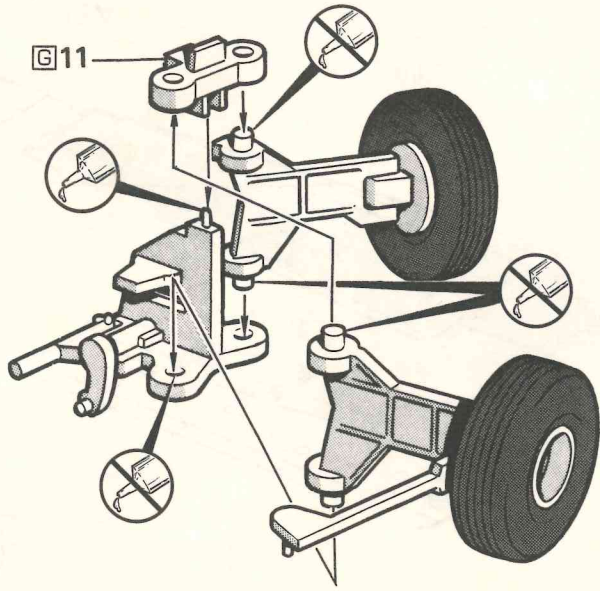


DECAL (DIP IN WATER)
DECALCOMANIE (A PLONGER DANS L'EAU)
DECALCOMANIA (MOJE CON AGUA)

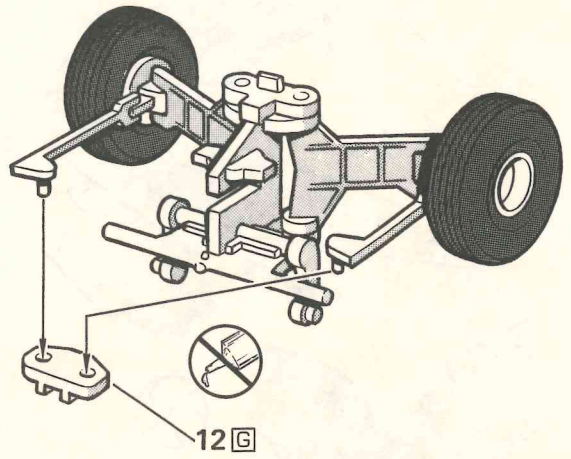
A	FLAT BLACK	NOIR TERNE	NEGRO APAGADO
B	DARK GREEN	VERT FONCE	VERDE OSCURO
C	MEDIUM GREEN	VERT OLIVE	VERDE OLIVA
D	DARK TAN	MARRON CLAIR	MARRON CLARO
E	ALUMINIUM	ALUMINIUM	ALUMINIO
F	INSIGNIA RED	ROUGE	ROJO
G	SATIN WHITE	BLANC	BLANCO
H	GULL GRAY	GRIS CLAIR	GRIS CLARO
J	SATIN BLACK	NOIR	NEGRO



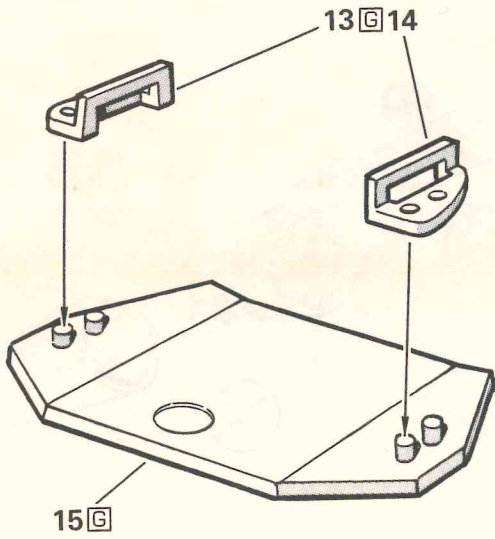
5



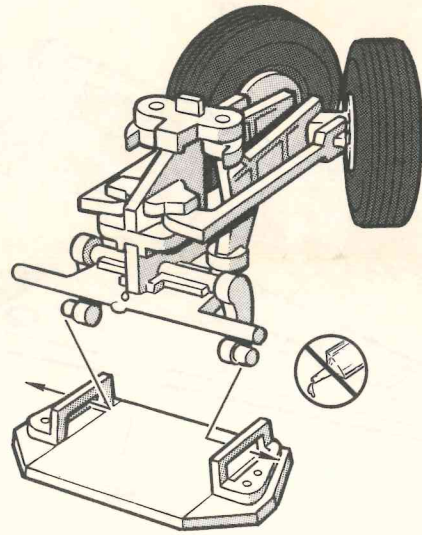
6



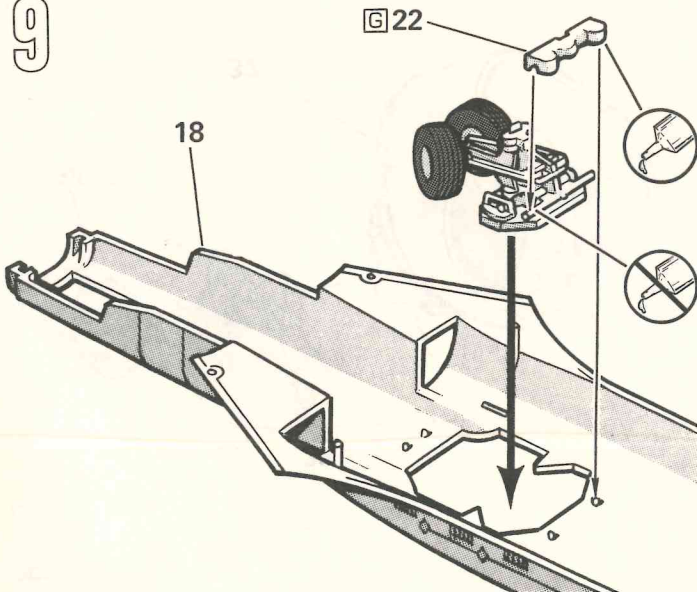
7



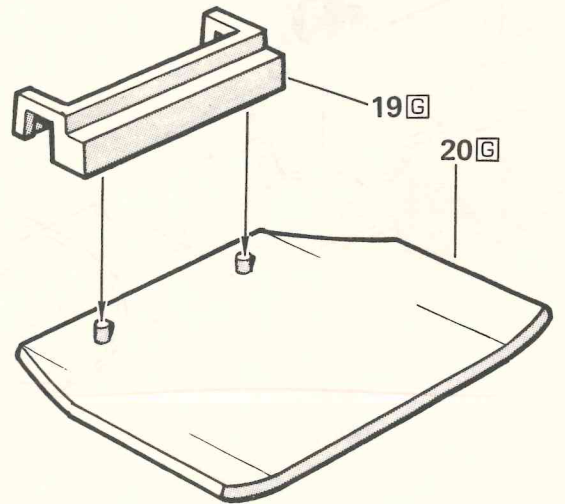
8



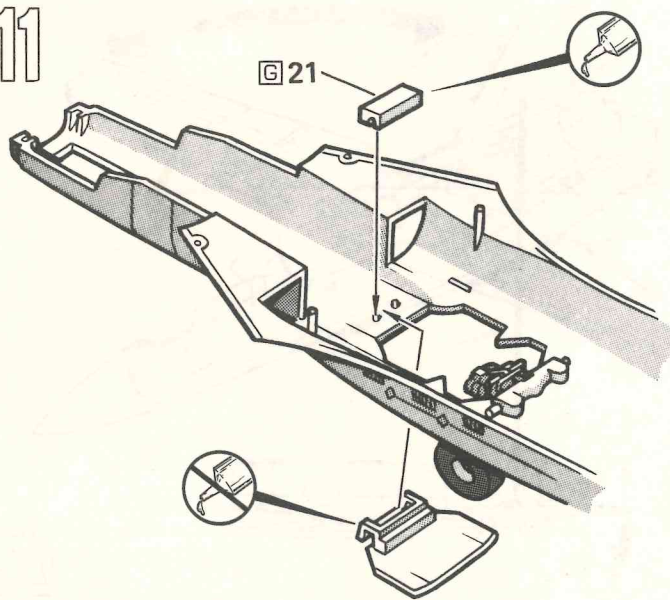
9



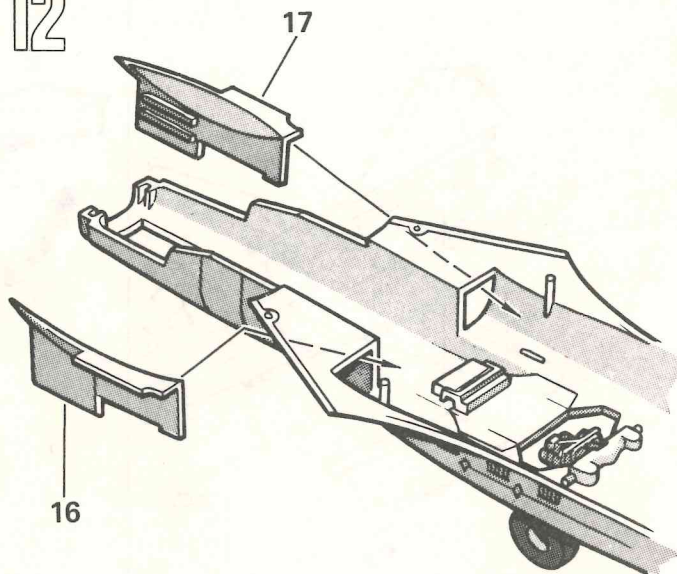
10



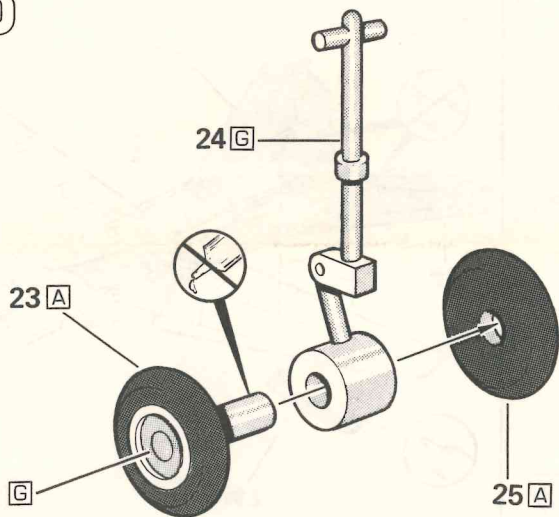
11



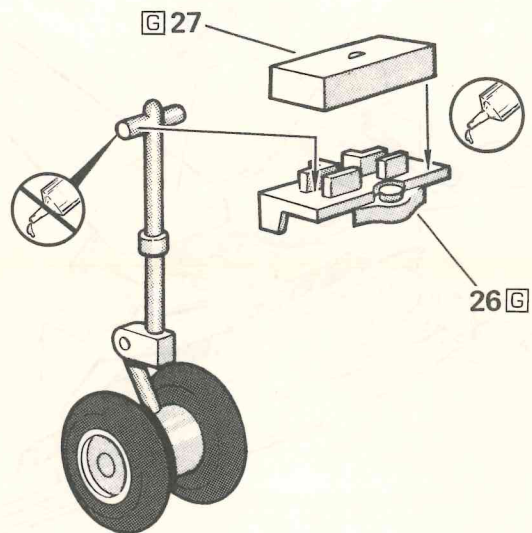
12



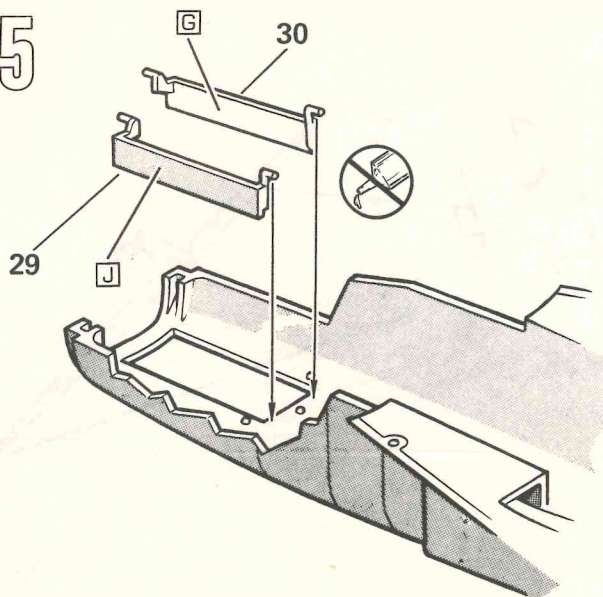
13



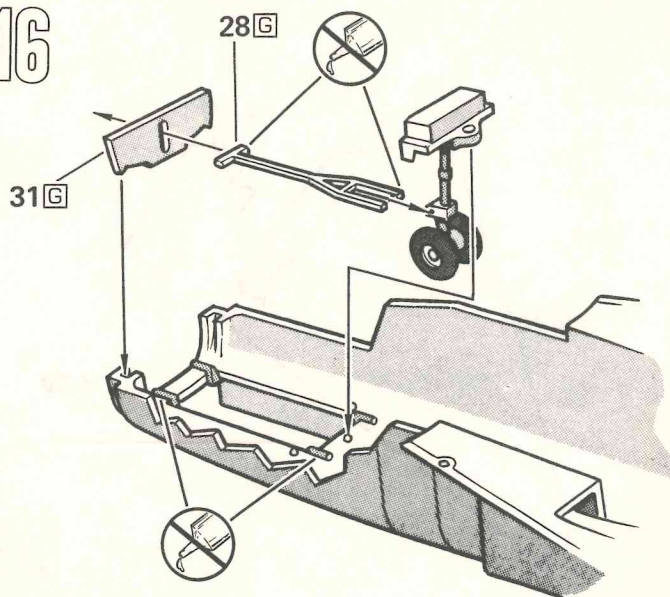
14



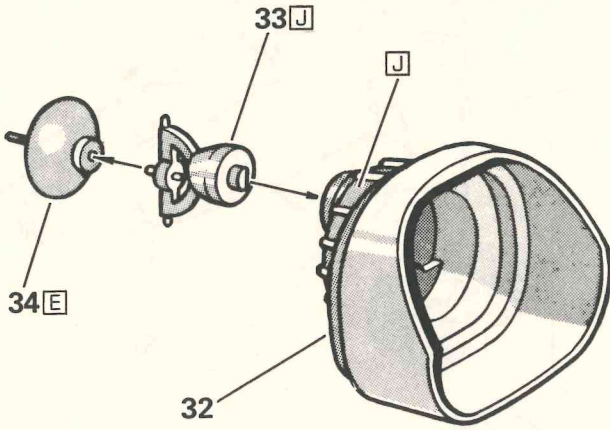
15



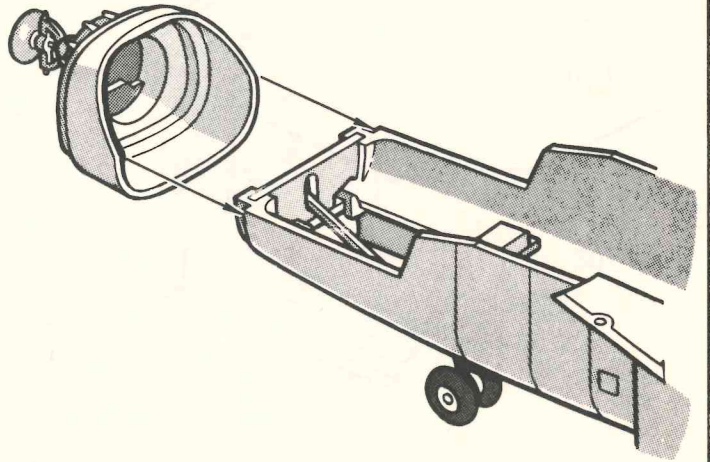
16



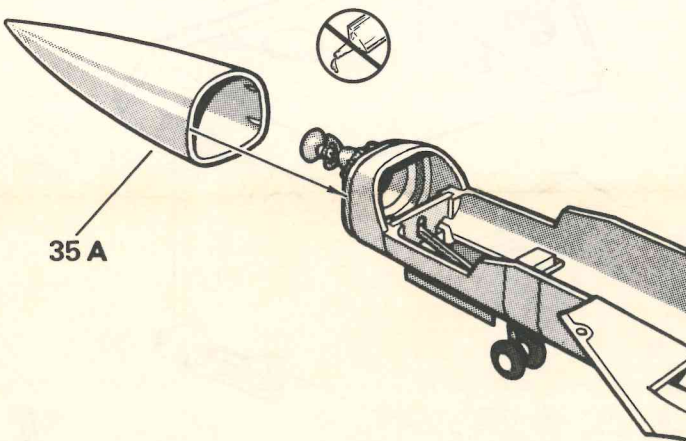
17



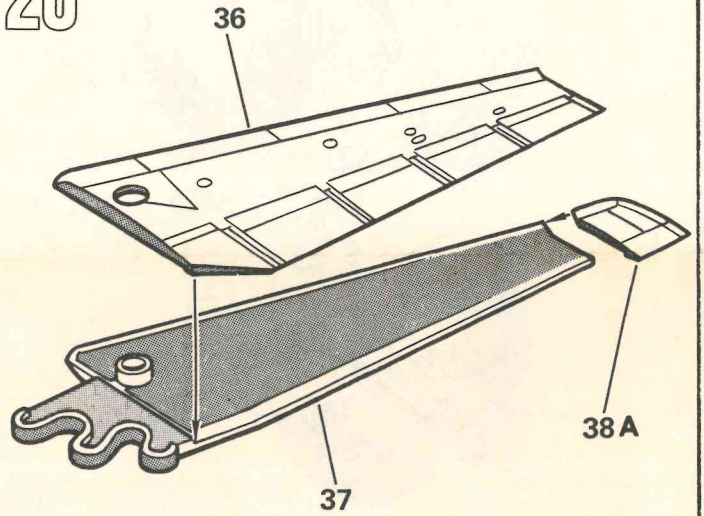
18



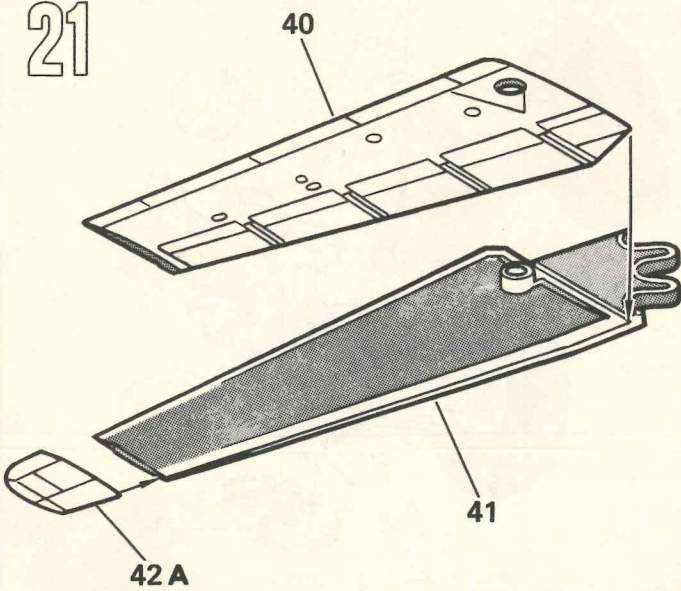
19



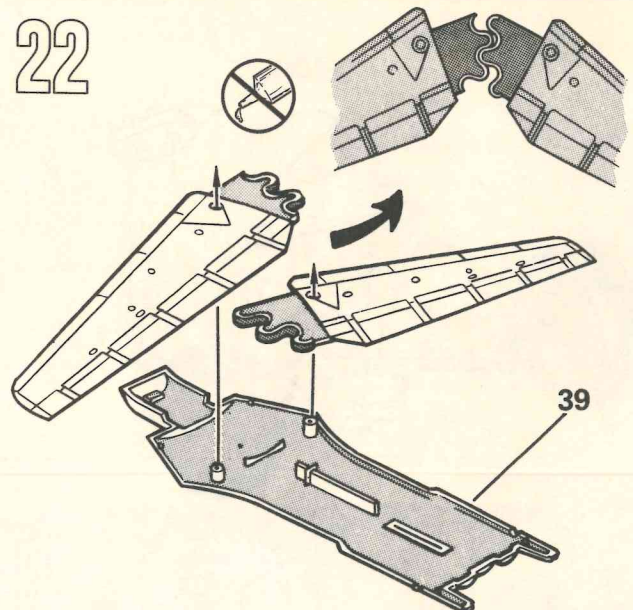
20



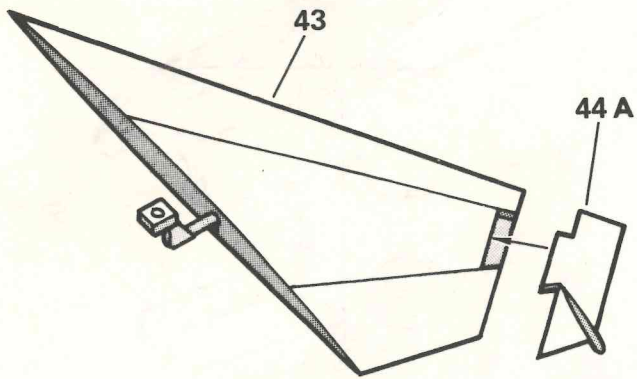
21



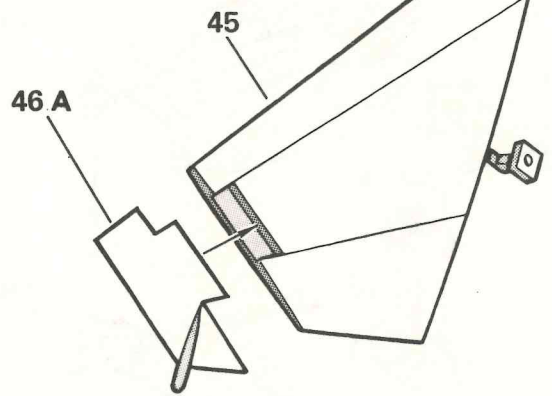
22



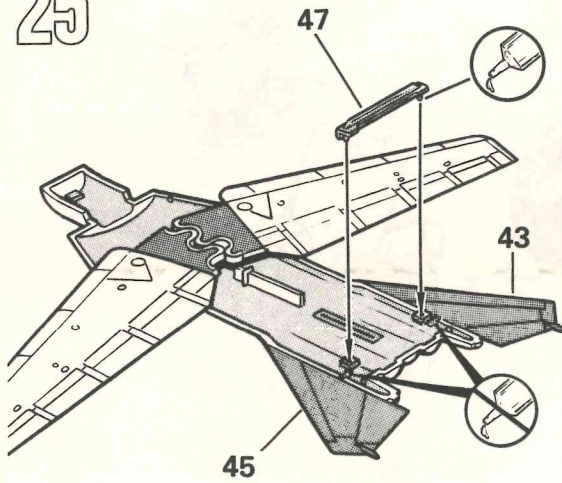
23



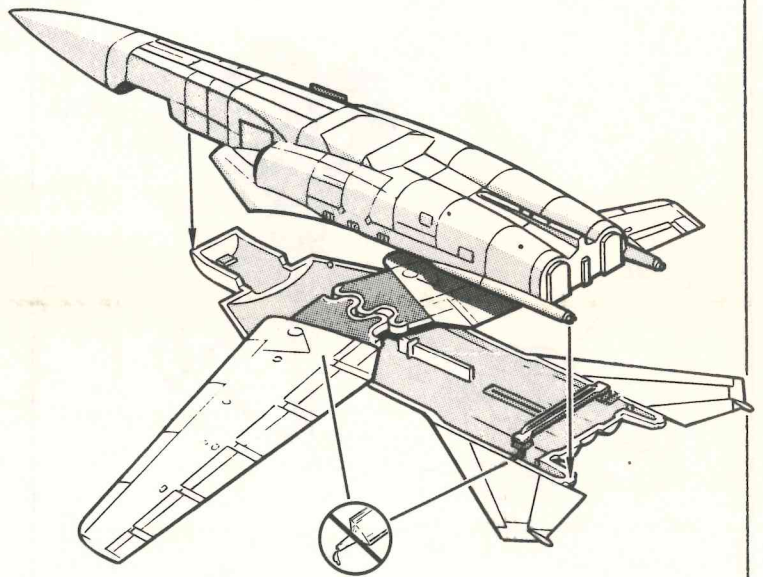
24



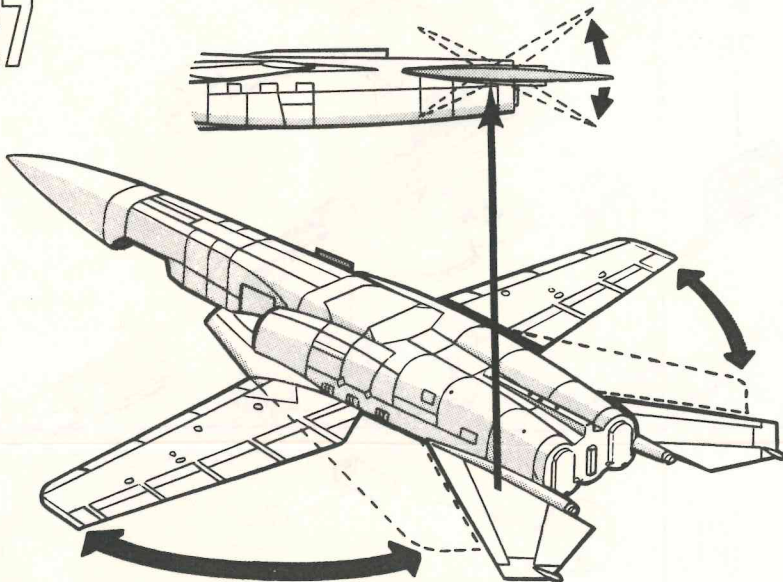
25



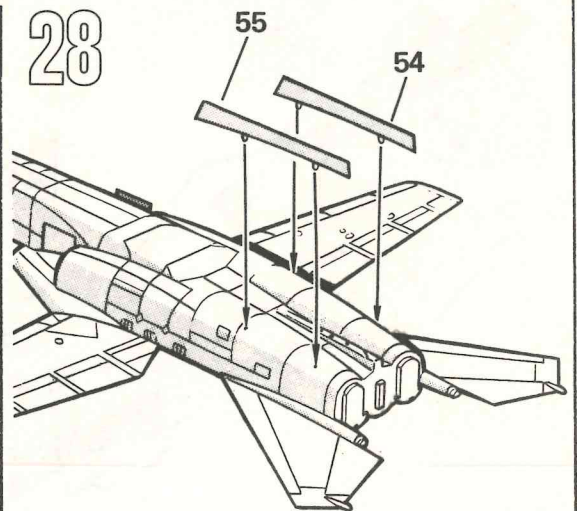
26



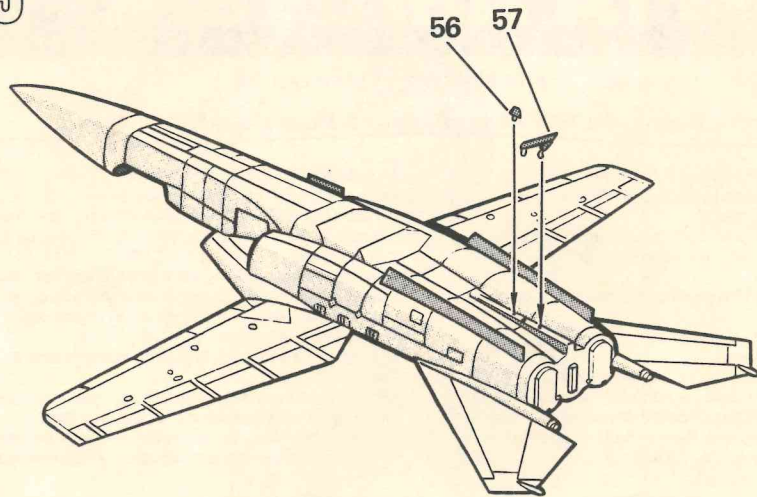
27



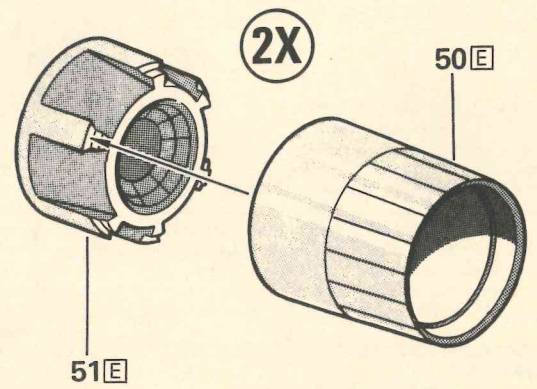
28



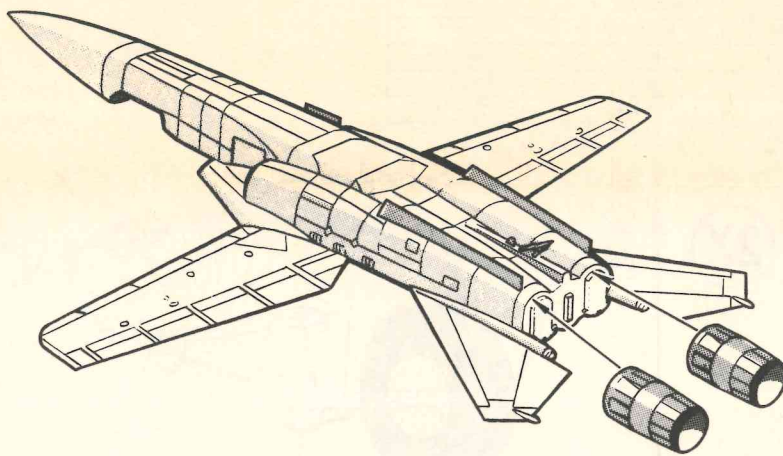
29



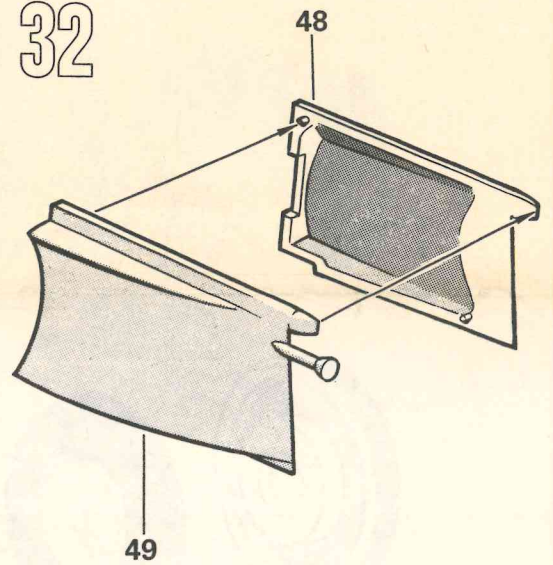
30



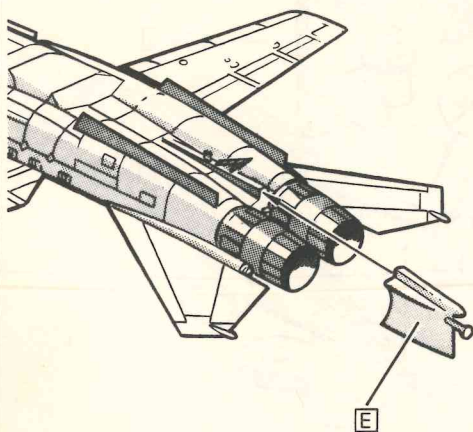
31



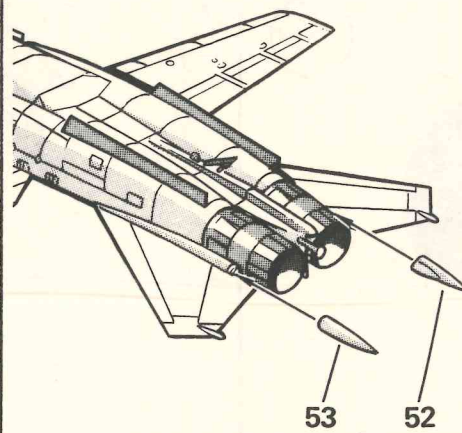
32



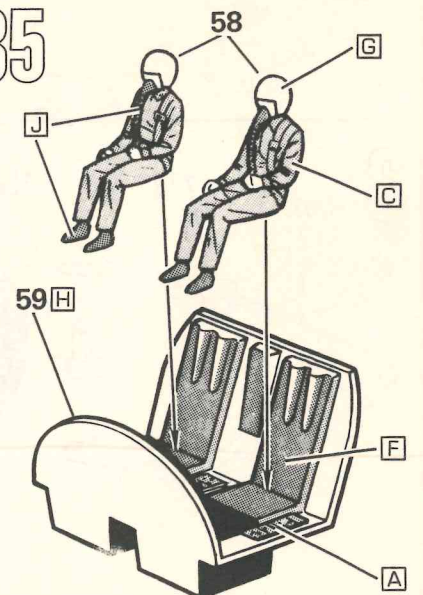
33



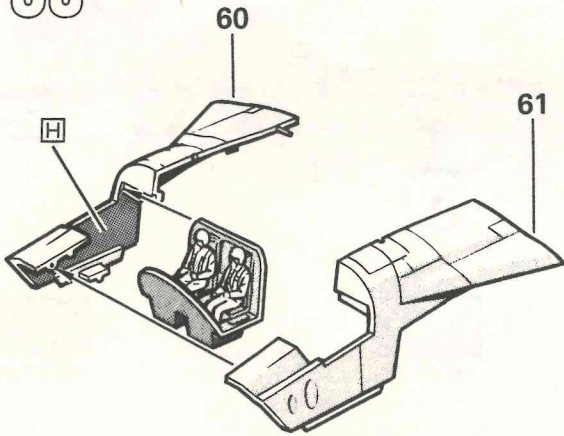
34



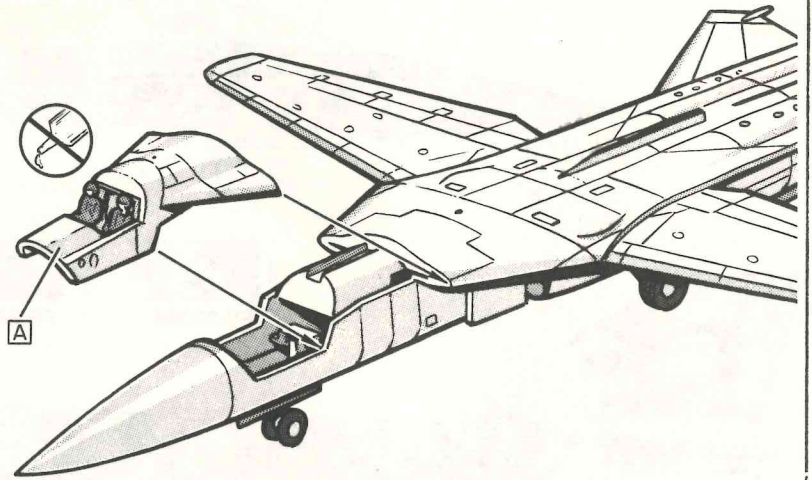
35



36

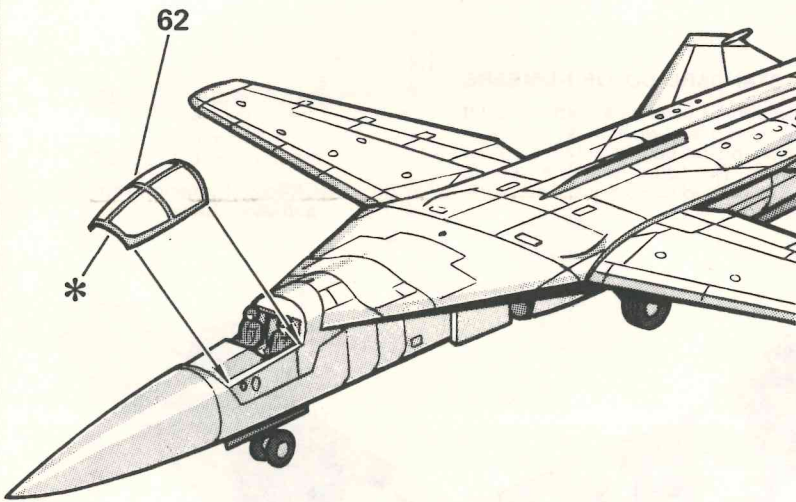


37

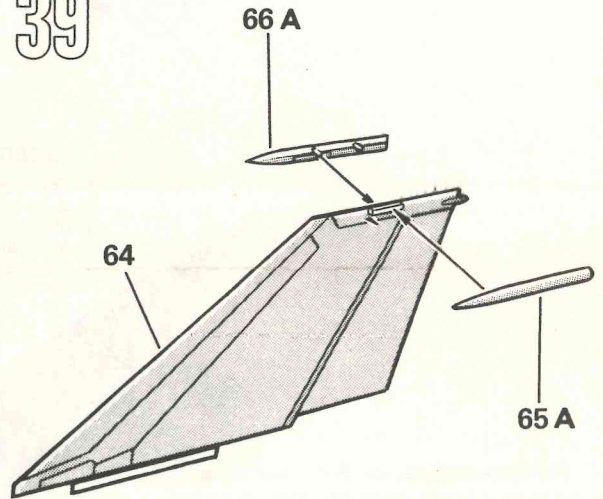


38

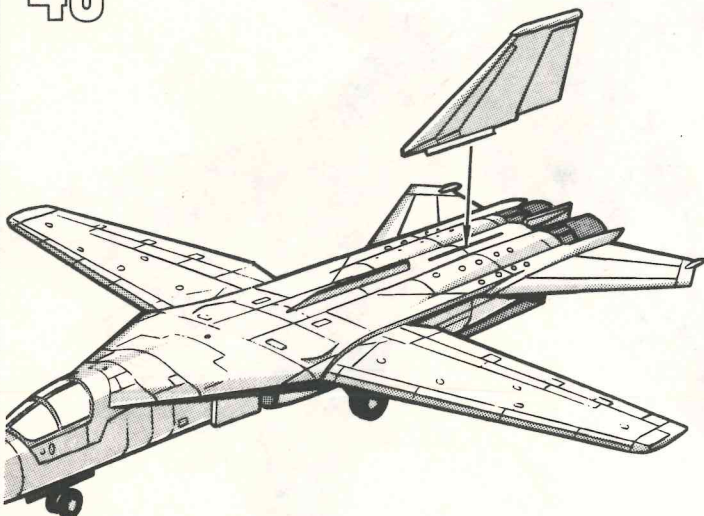
* - FRAME IS FUSELAGE COLOR
 * - LES MONTANTS SONT DE LA COULEUR DU FUSELAGE
 * - ARMAZON DEL COLOR DEL FUSELAJE



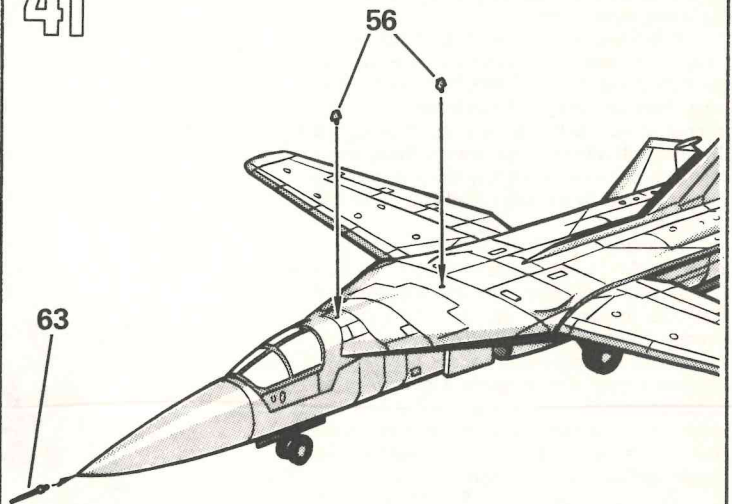
39

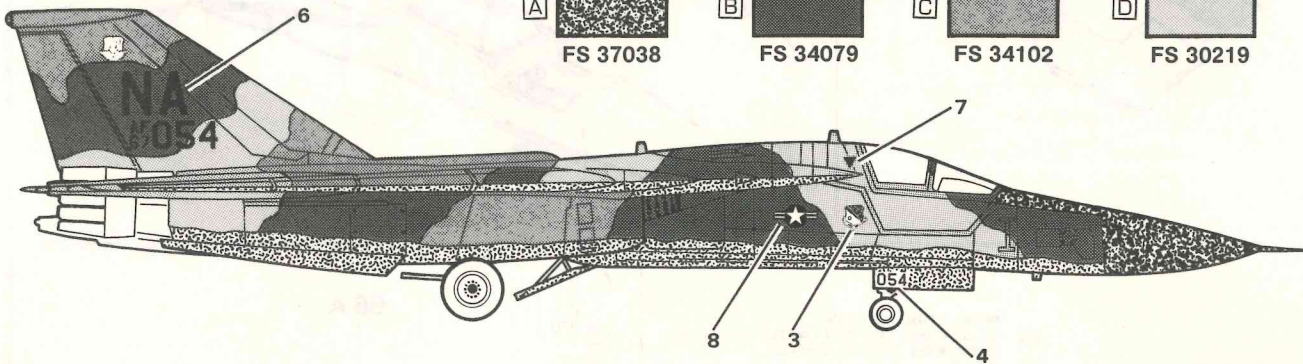
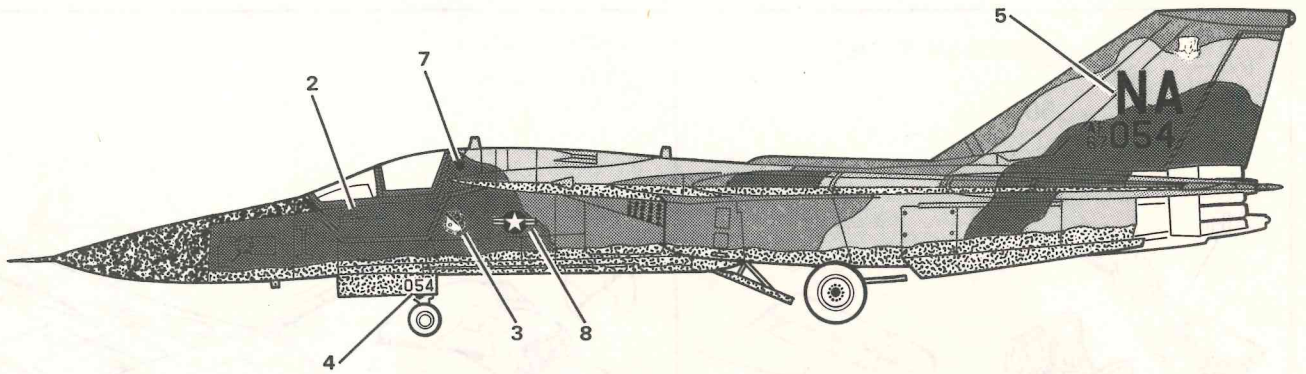


40



41





FEDERAL STANDARD COLOR NUMBERS

The box top can be used as a guide to paint your model, or you may wish to use the painting information on this page to achieve a more accurate finish. The listed numbers refer to color samples printed in FS 595a. This publication is available from:

GSA SPECIFICATIONS
7th & D Streets S.W.
Room 6039
Washington, D.C. 20407

Write to GSA for information regarding current price and availability.

The General Dynamics F-111 has been proven to be a highly useful and effective airplane, in spite of its controversial beginnings. The F-111 is notable because it was the first aircraft to successfully utilize the movable, or swing-wing concept. The purpose of having movable wings is to increase the versatility of the plane by providing maximum lift during take-off and landing, but reducing drag and increasing speed while in flight.

It is a known fact that long, straight wings have the greatest lift, but these wide wings also slow the plane down. Swept-back wings, however, have less drag and can travel faster, but cannot lift as much until they are moving fast. By taking-off with its wings forward, then sweeping them to the rear when fully airborne, a swing-wing plane can lift a heavier load into the air and fly fast as well.

Nicknamed Aardvark because of its long nose, the F-111 was originally designed to be a fighter, but its excessive size and weight made that role impractical. As the program proceeded, however, the plane was developed into the world's first supersonic attack bomber with electronic gear able to guide it directly to an unseen target for a first strike kill. The effectiveness of this system was recently shown when the F-111's were used in a successful long-range night strike against Libya.

This Revell model of the F-111A represents a plane from the 474th Tactical Fighter Wing when they were operated over Vietnam in the Fall of 1972.

