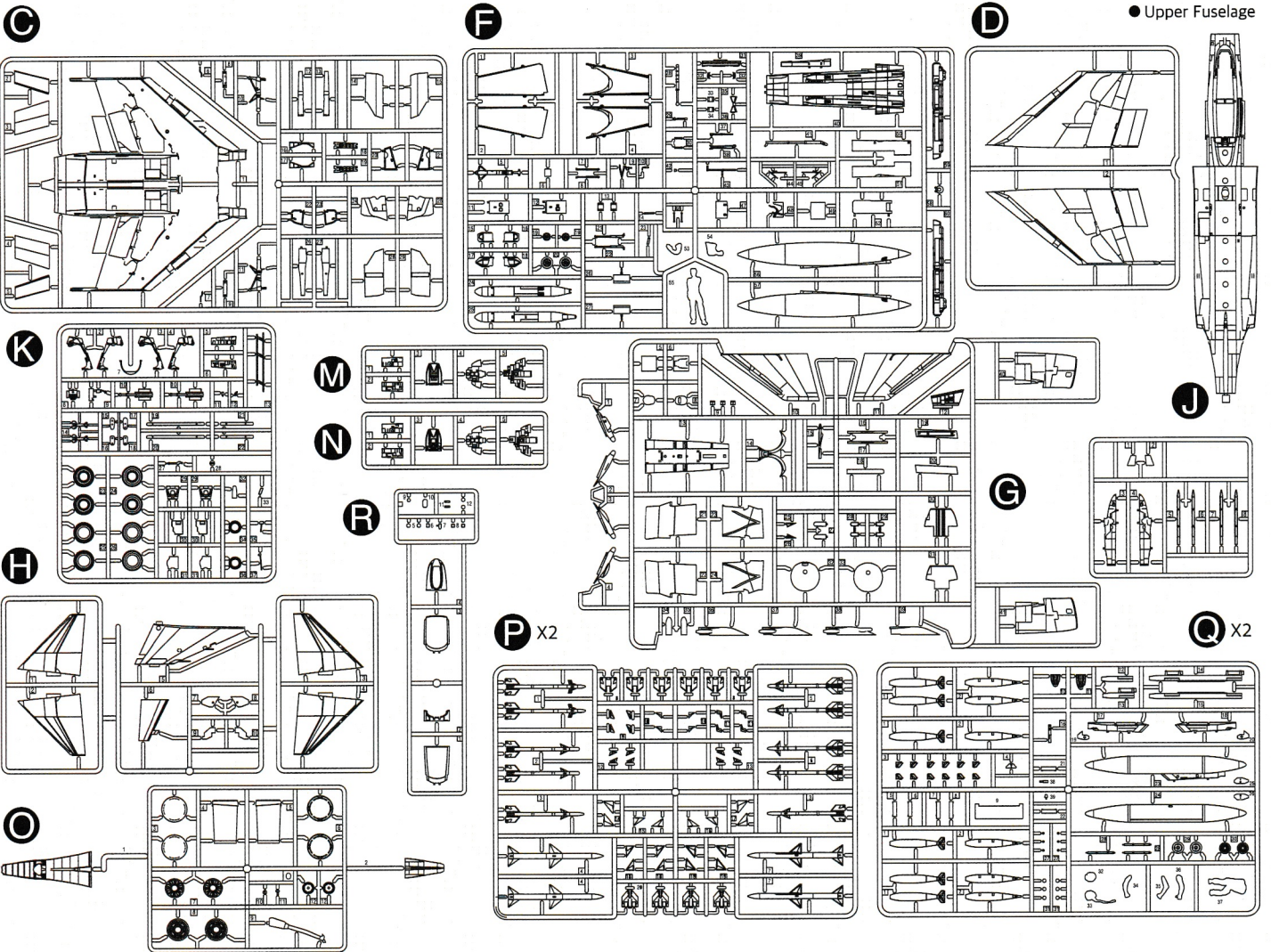
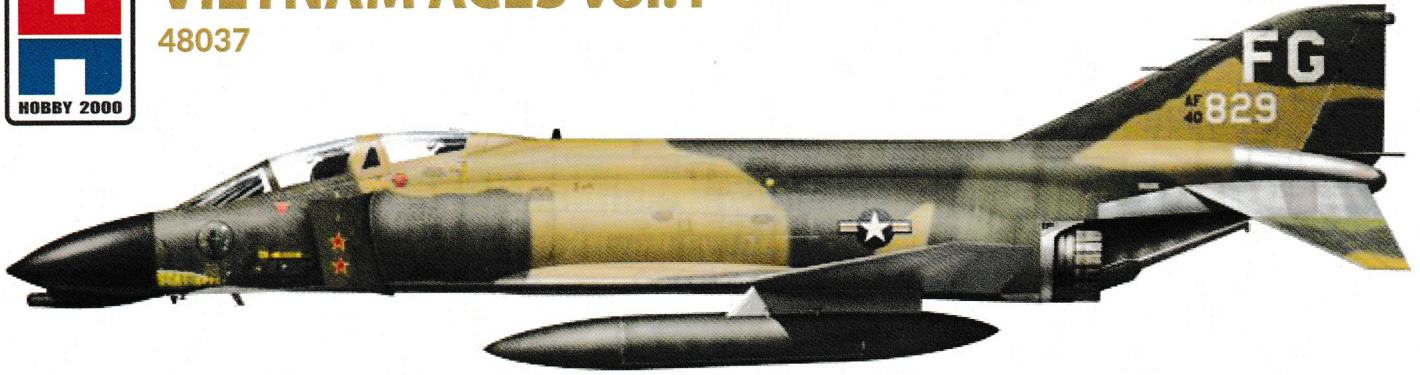


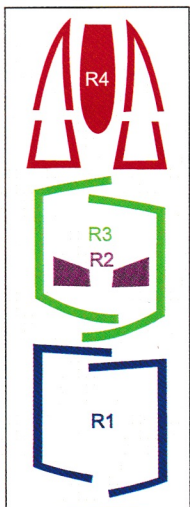


VIETNAM ACES vol.1

48037

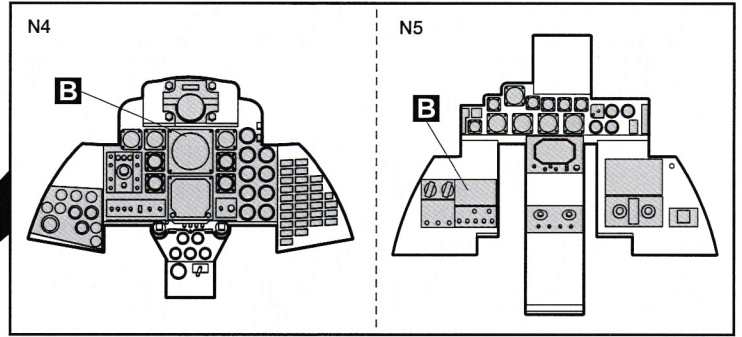
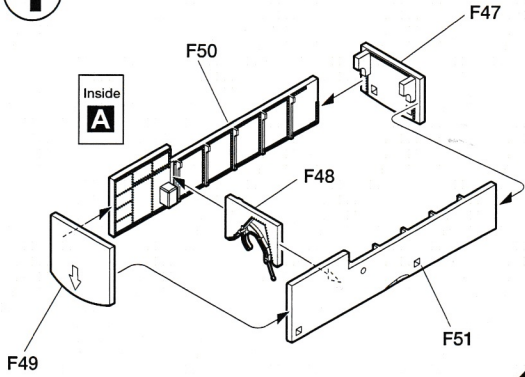


Painting Mask Set

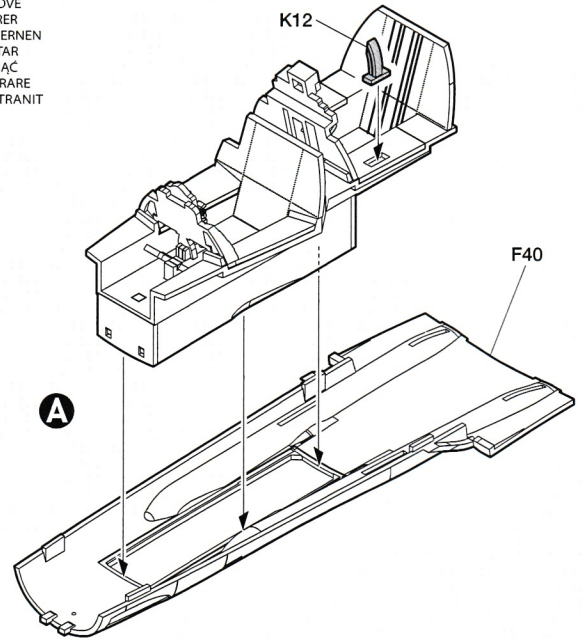
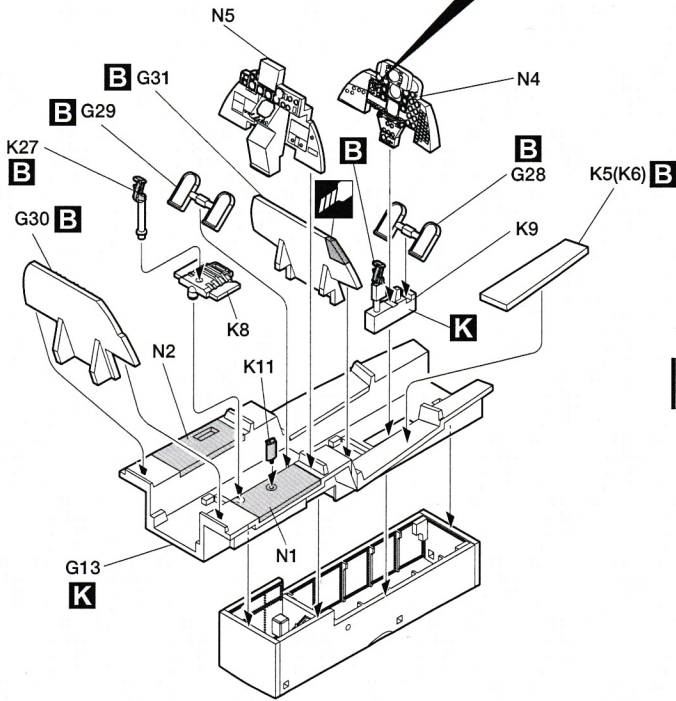


	Color Chart	AK Interactive	AMMO	HATAKA	Mr. COLOR	Revell	TAMIYA	Vallejo
White FS17875	A	11868	047	049	316	104	X-2	71.279
Flat Black	B	11029	046	100	033	108	XF-1	70.950
Steel	C	11210	191		028	191	XF-56	77.712
Silver	D	11209	195	003	008	190	X-11	77.724
Burnt Iron	E	AK485	187	016	061		XF-84	77.721
Clear Red	F	11213	093		047	731	X-27	70.934
Clear Blue	G	11214	098		050	752	X-23	70.938
Olive Drab	H	11860	926	018	304	161	XF-62	71.316
Khaki Green	I	11373	113	064	054	165	XF-51	70.881
Tire Black	J	11027	033	040	137	106	XF-85	70.862
Dark Gull Gray FS36231	K	11884	044	044	317	179	XF-54	71.277
Medium Green FS34102	L	11342	004	021	303	139	XF-73	71.289
Forest Green FS34079	M	11346	206	021	309	139	XF-81	71.294
Dark Tan FS30219	N	RC225	202	012	310	188	AS-15	71.125
Camouflage Gray FS36622	O	11890	226	039	311	176	AS-16	71.296
Insignia Yellow	P	11044	048	066	329	115	XF-3	70.953
Red	Q	11092	049	103	327	131	XF-7	70.957
Flesh	R	11050	F-549	331	051	135	XF-15	70.955
Gloss Black	S		032		002	107	X-1	70.861

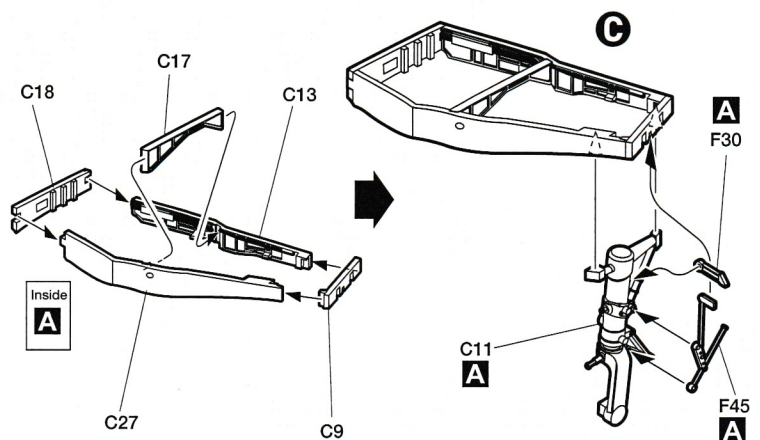
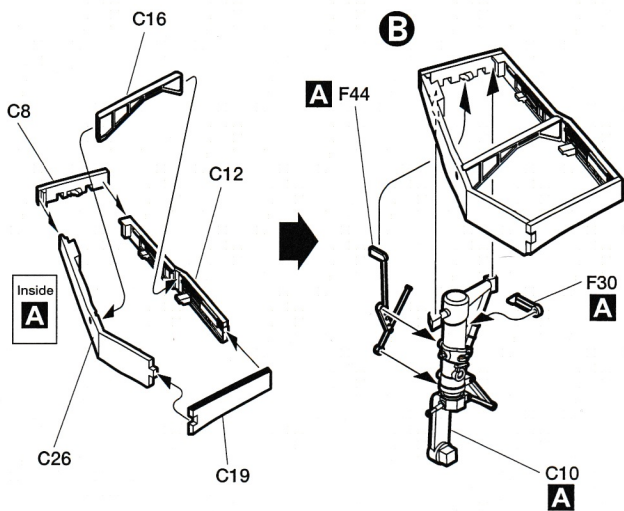
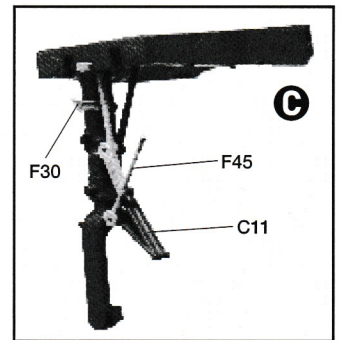
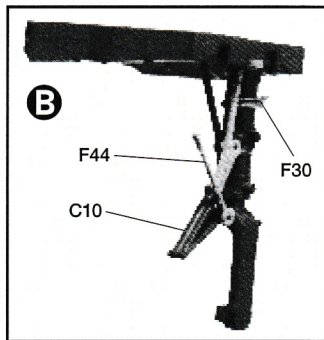
1

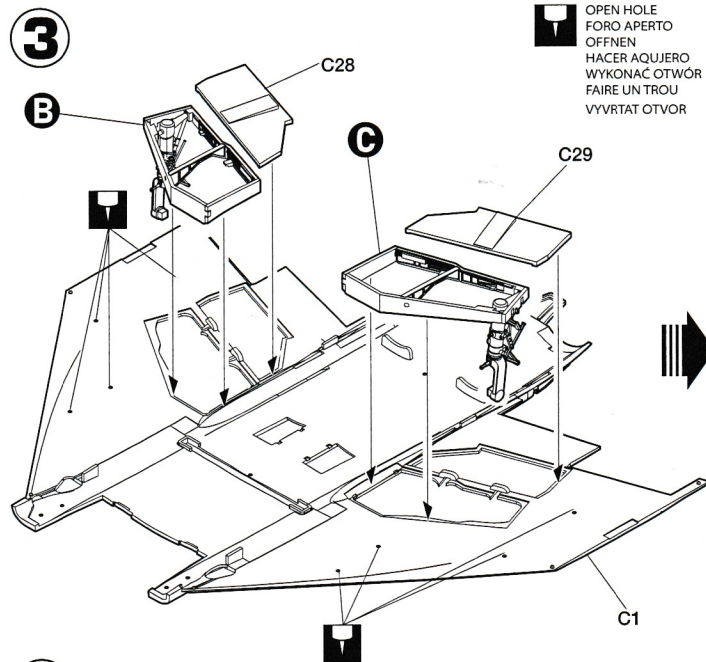


REMOVE
RETIEREN
ENTFERNEN
CORTAR
WYCIĄĆ
SEPARARE
ODSTRANIT



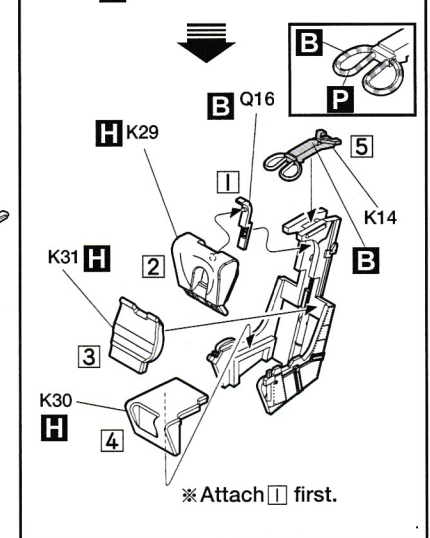
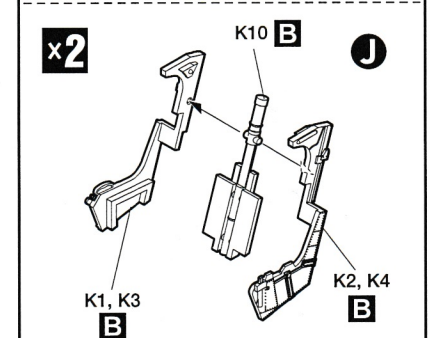
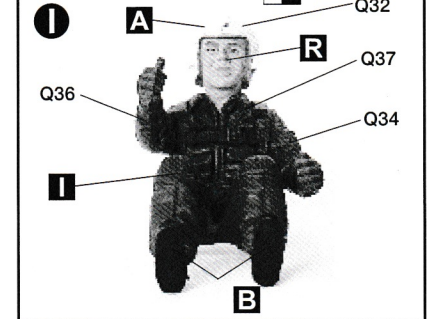
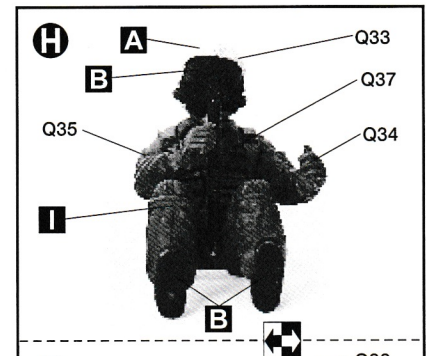
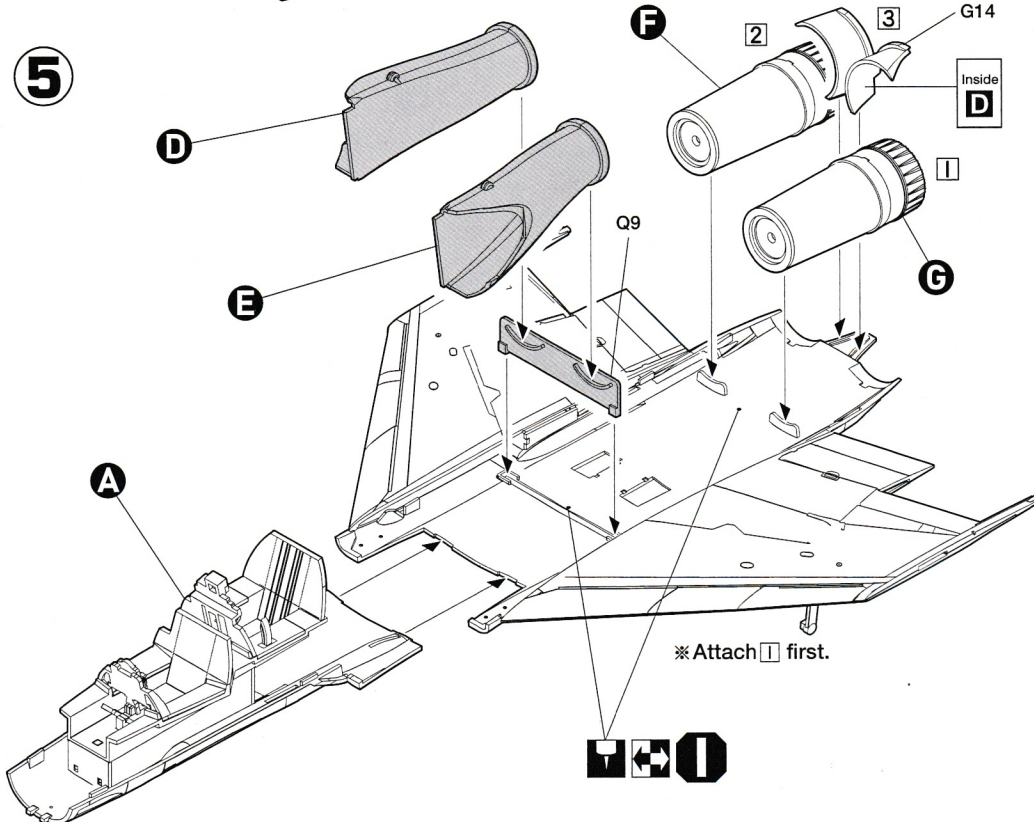
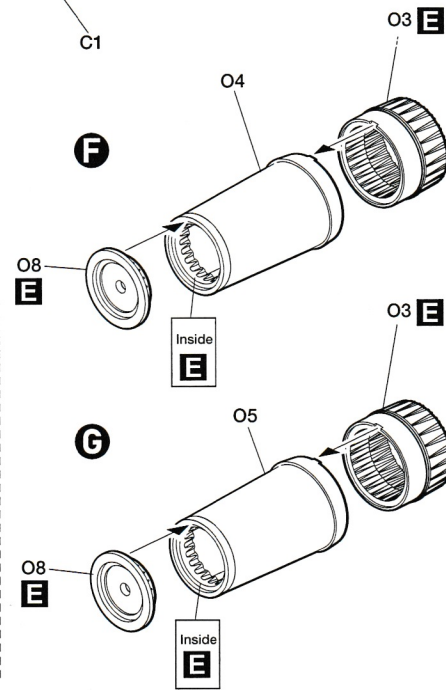
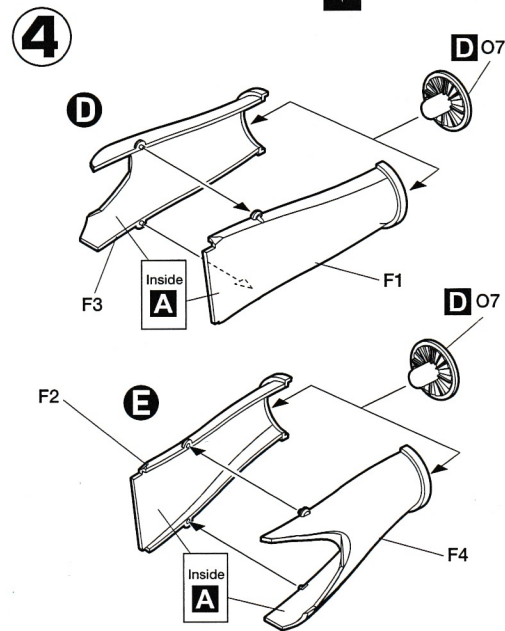
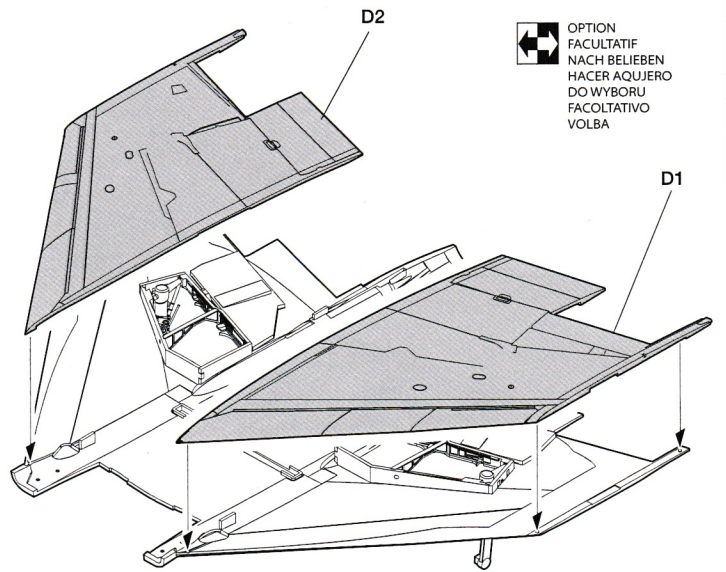
2



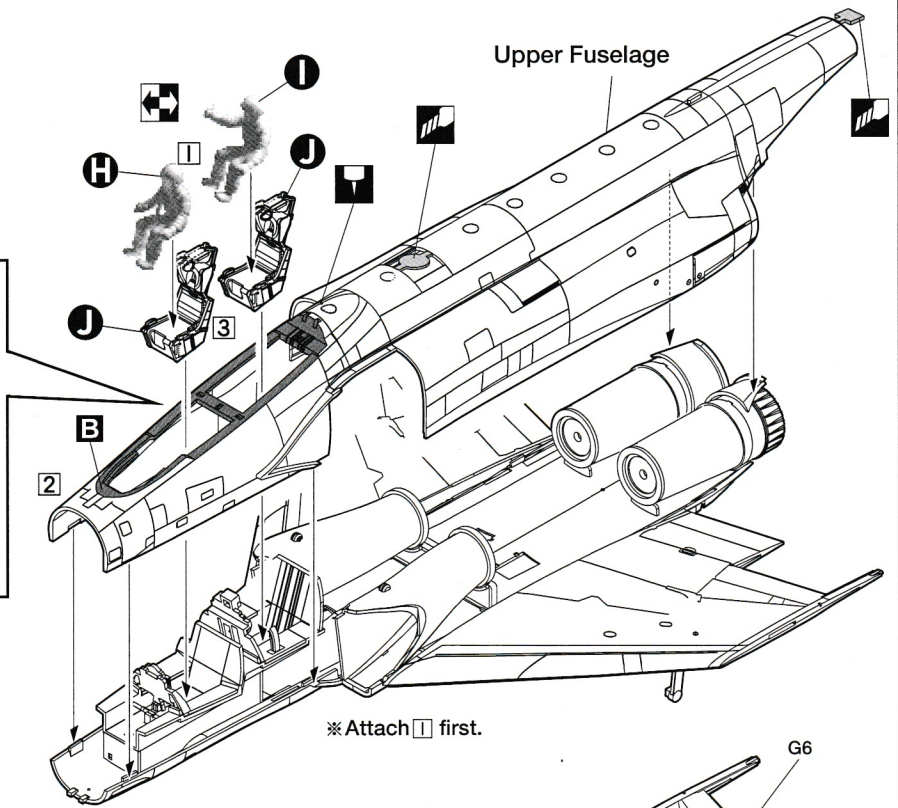
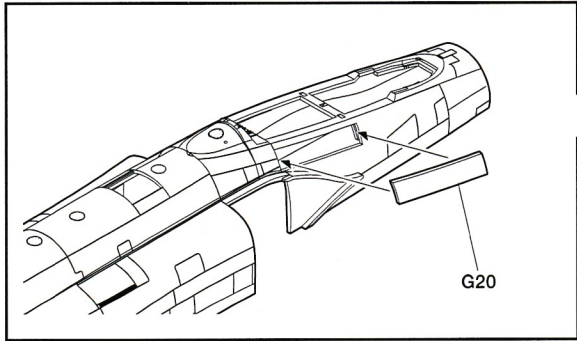


T OPEN HOLE
FORO APERTO
OFFNEN
HACER AQUEJERO
WYKONAC OTWOR
FAIRE UN TROU
VYVRTAT OTVOR

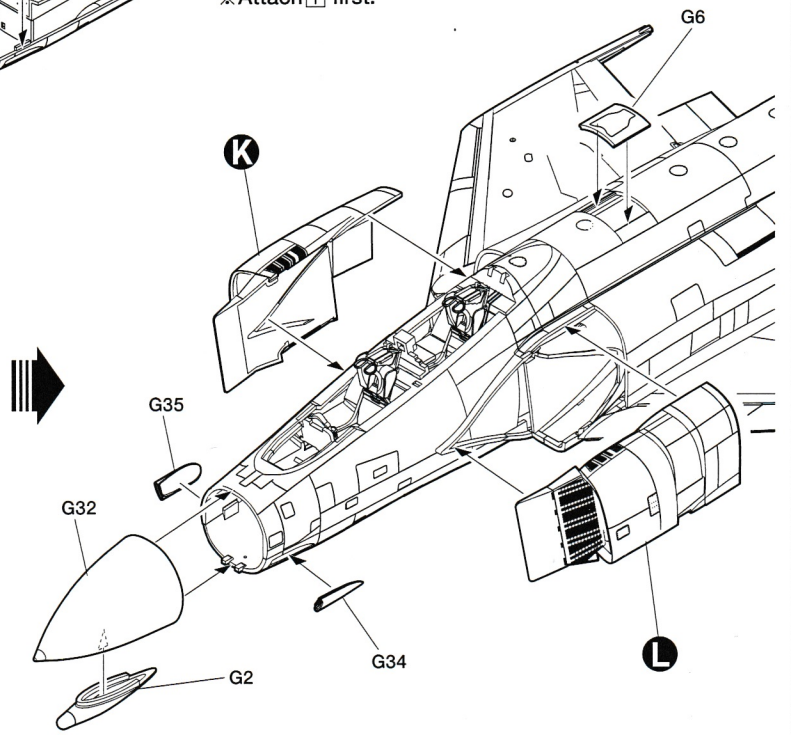
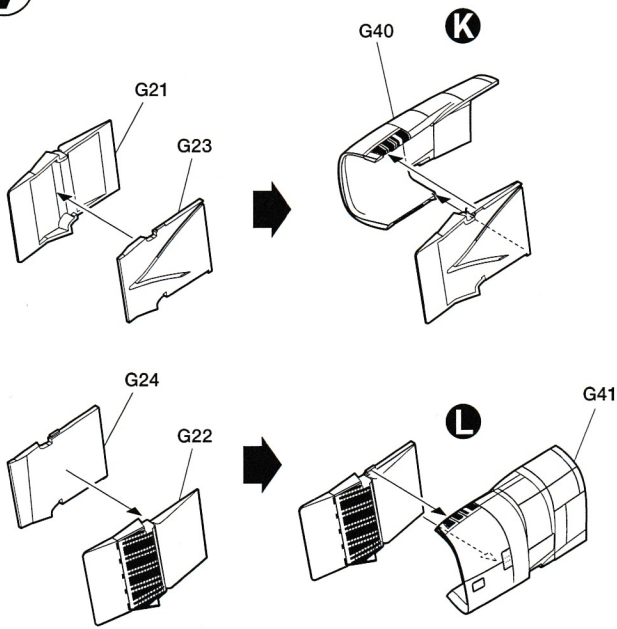
OPTION
FACULTATIF
NACH BELIEBEN
HACER AQUEJERO
DO WYBORU
FACULTATIVO
VOLBA



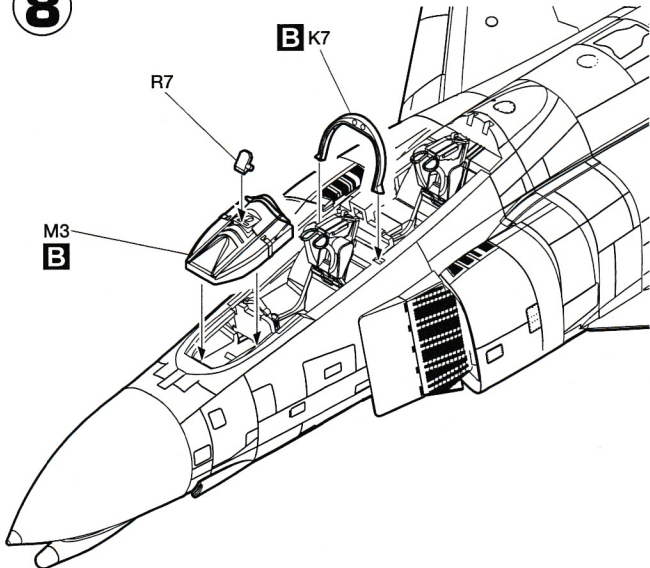
6



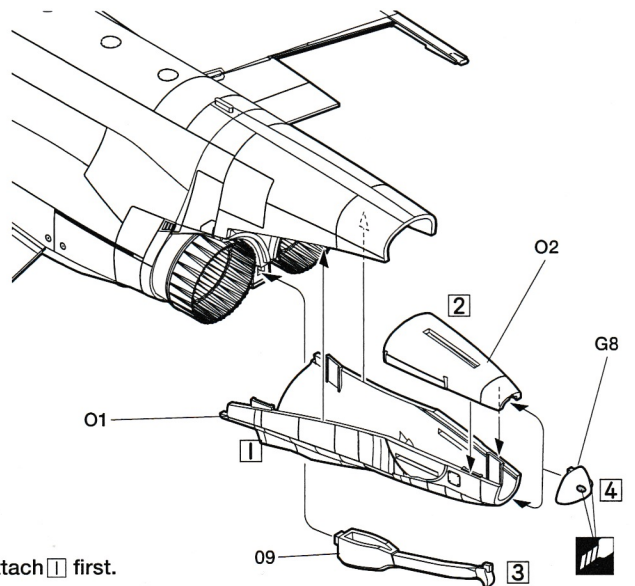
7



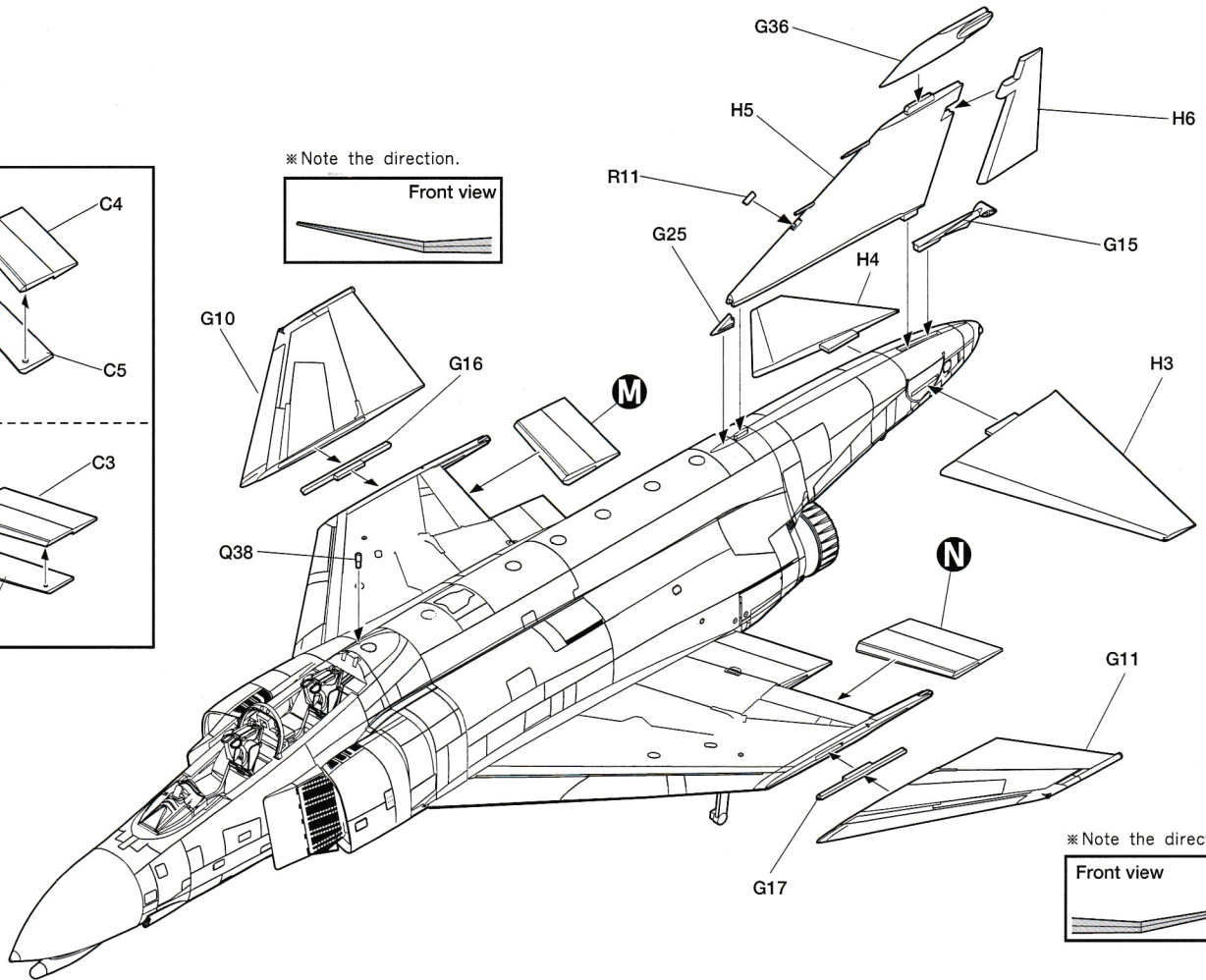
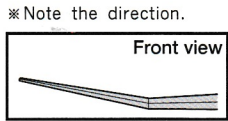
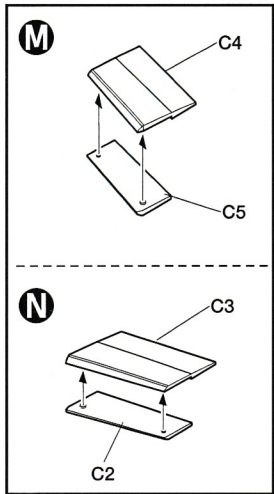
8



9

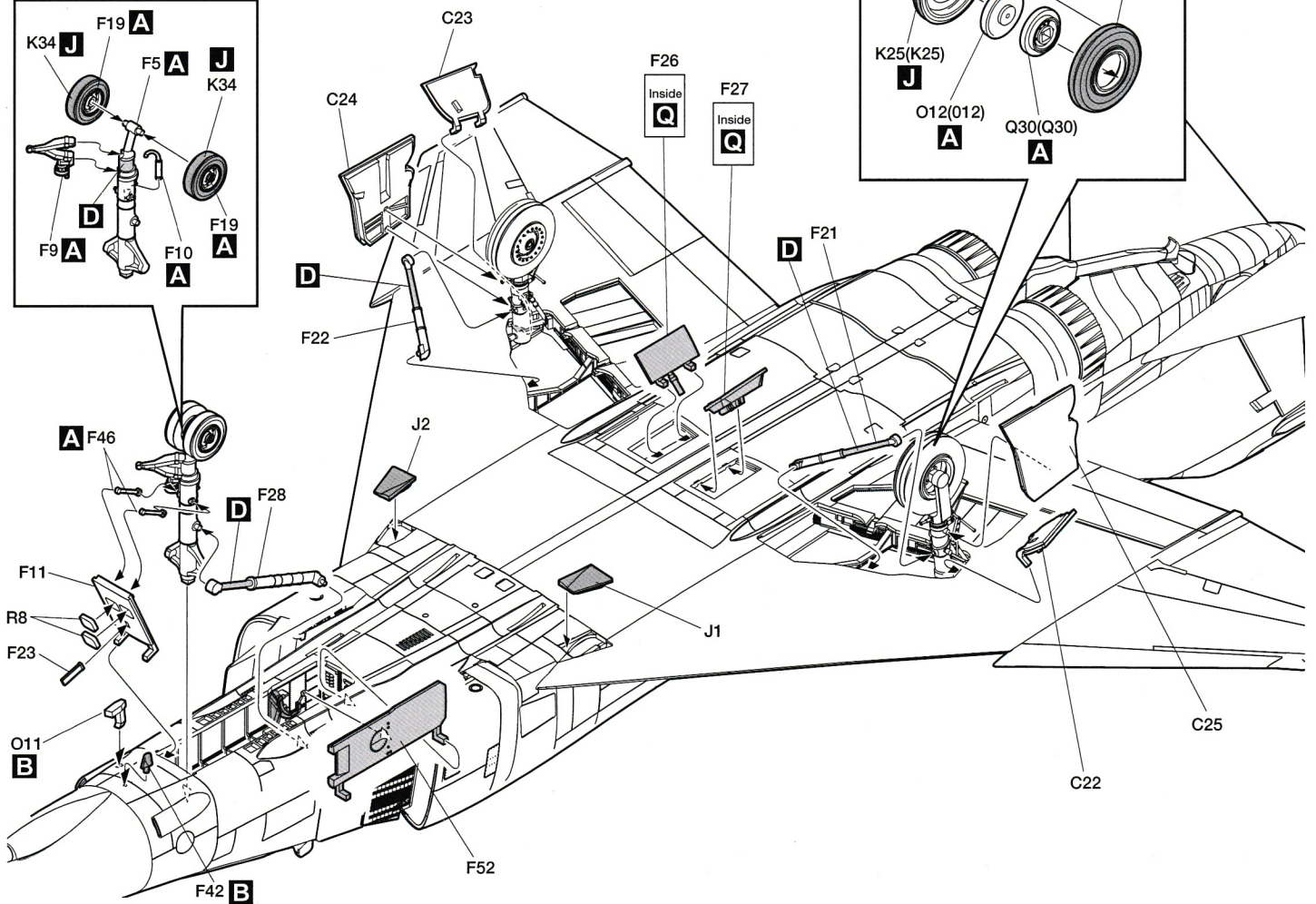
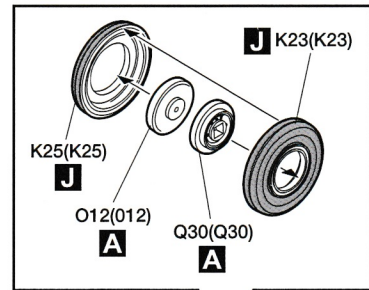
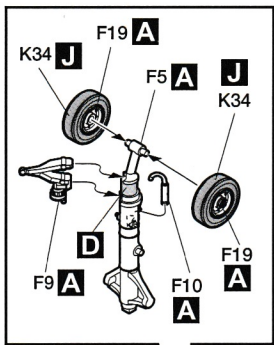


10

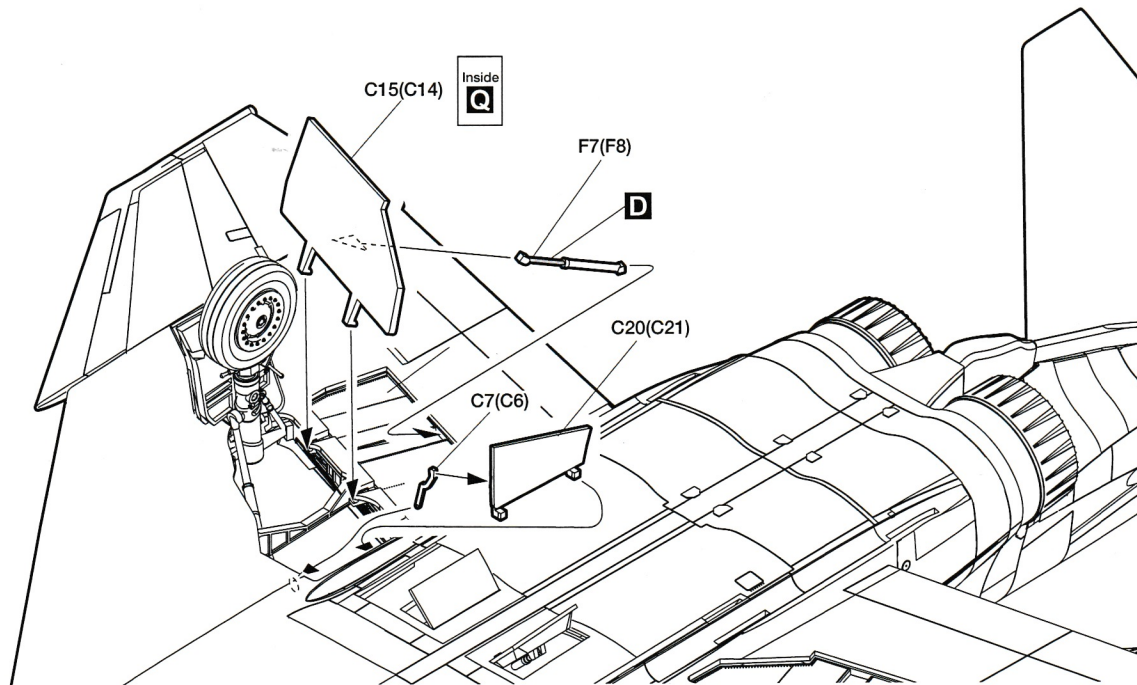


※ () is opposite number.

11

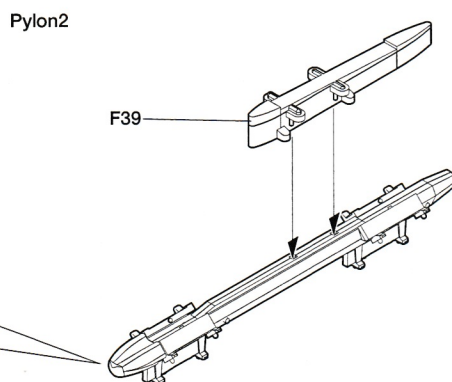
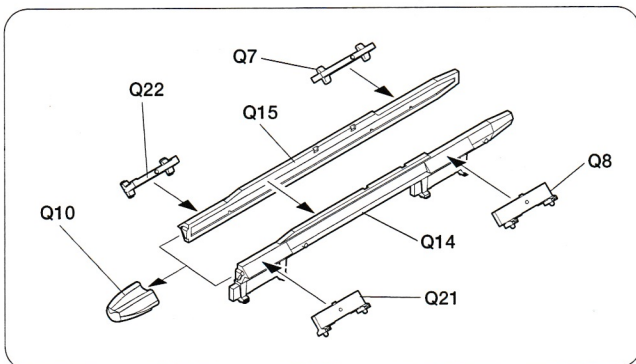
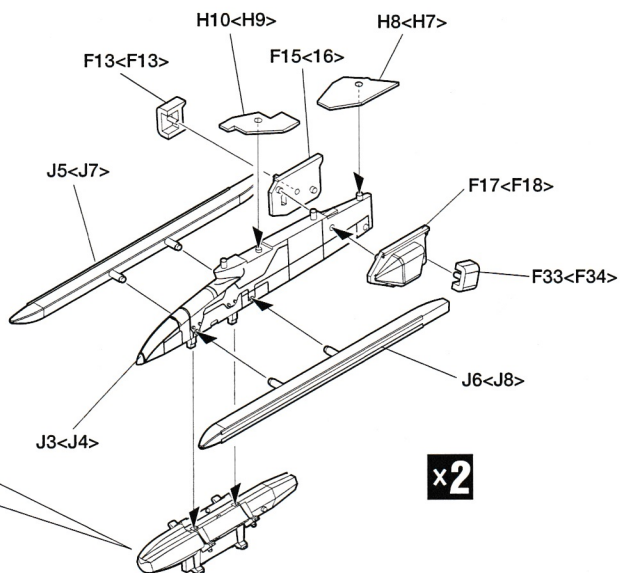
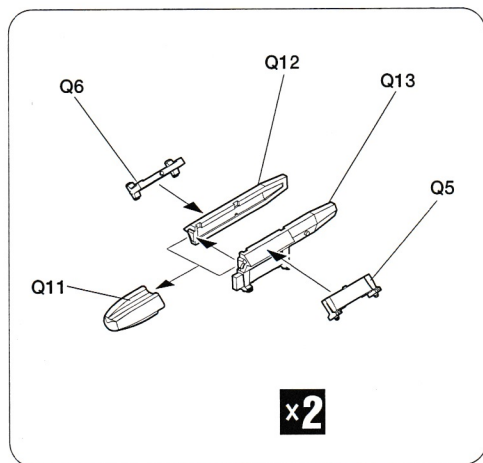


12

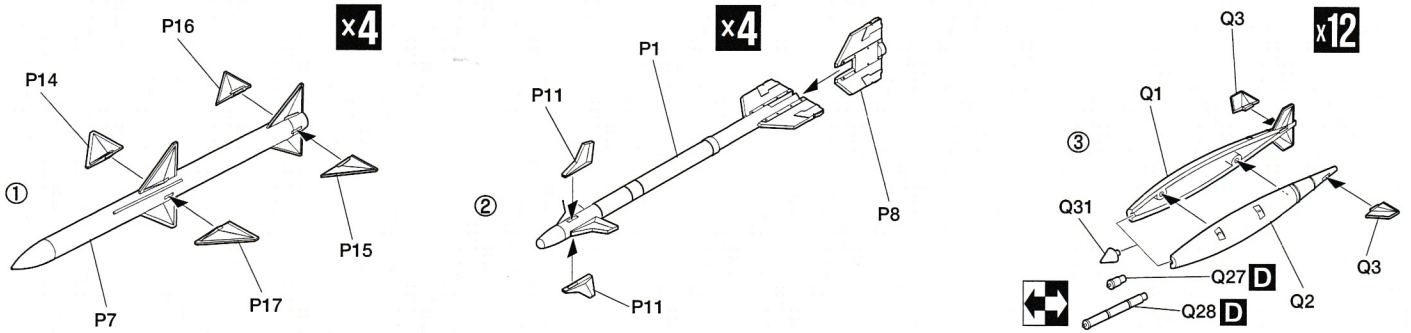


13 ※ Mounting armed, refer to the separate manual

Pylon1/ Left < > is the Pylon1/right part number

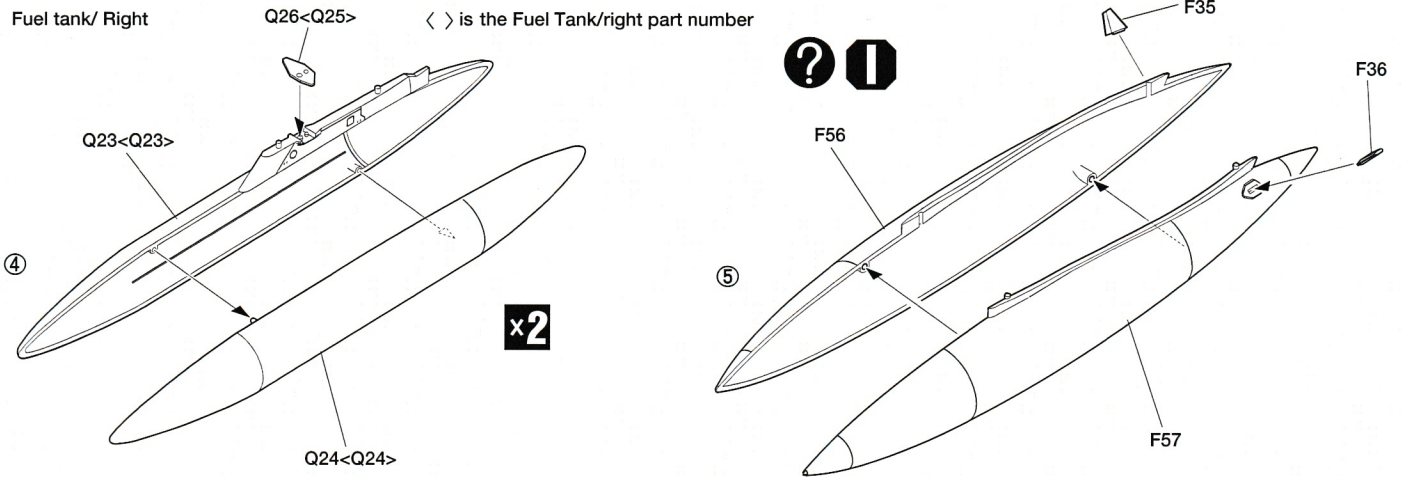


14 Mounting ^{*}armed, refer to the separate manual

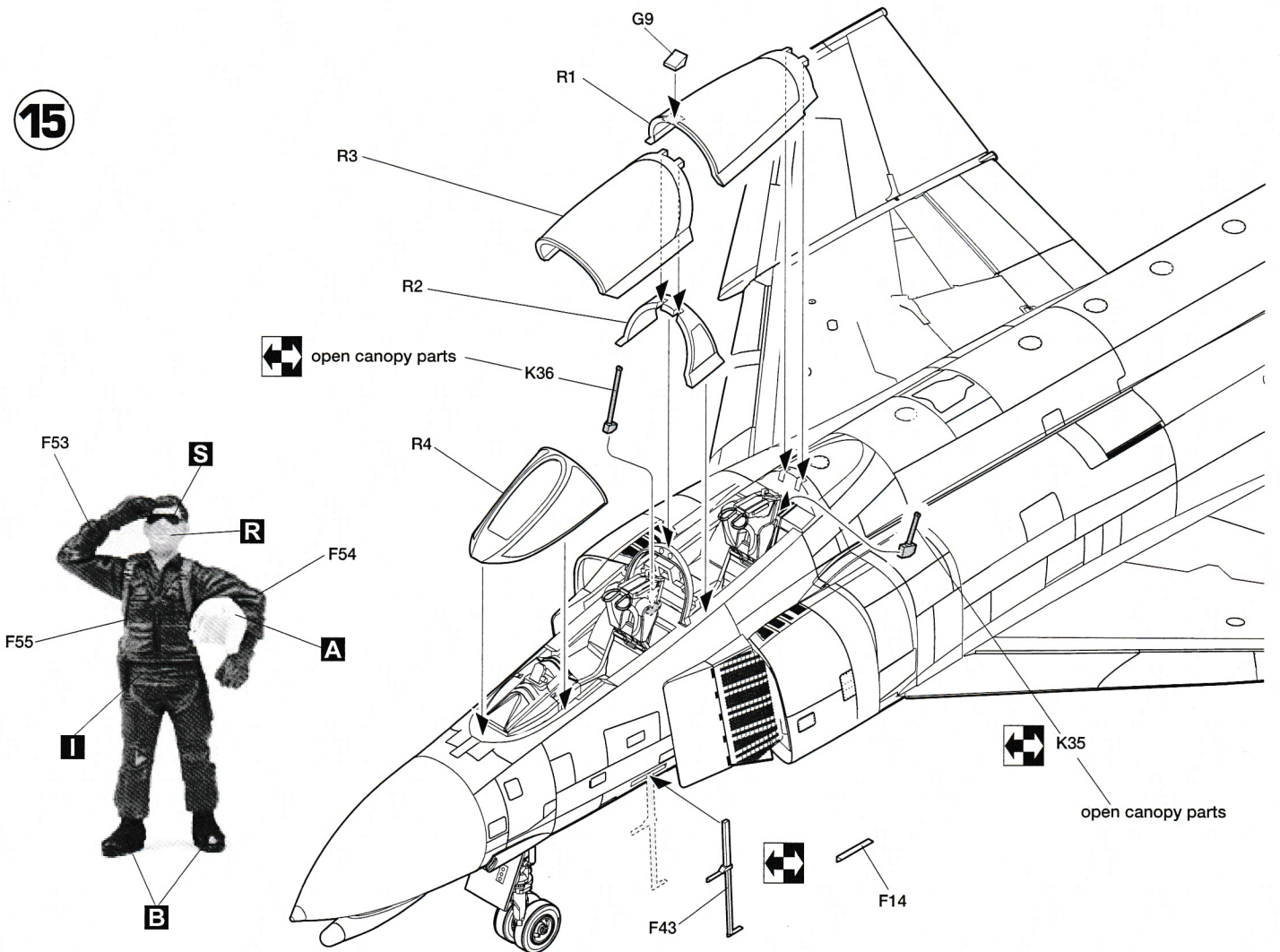


Fuel tank/ Right

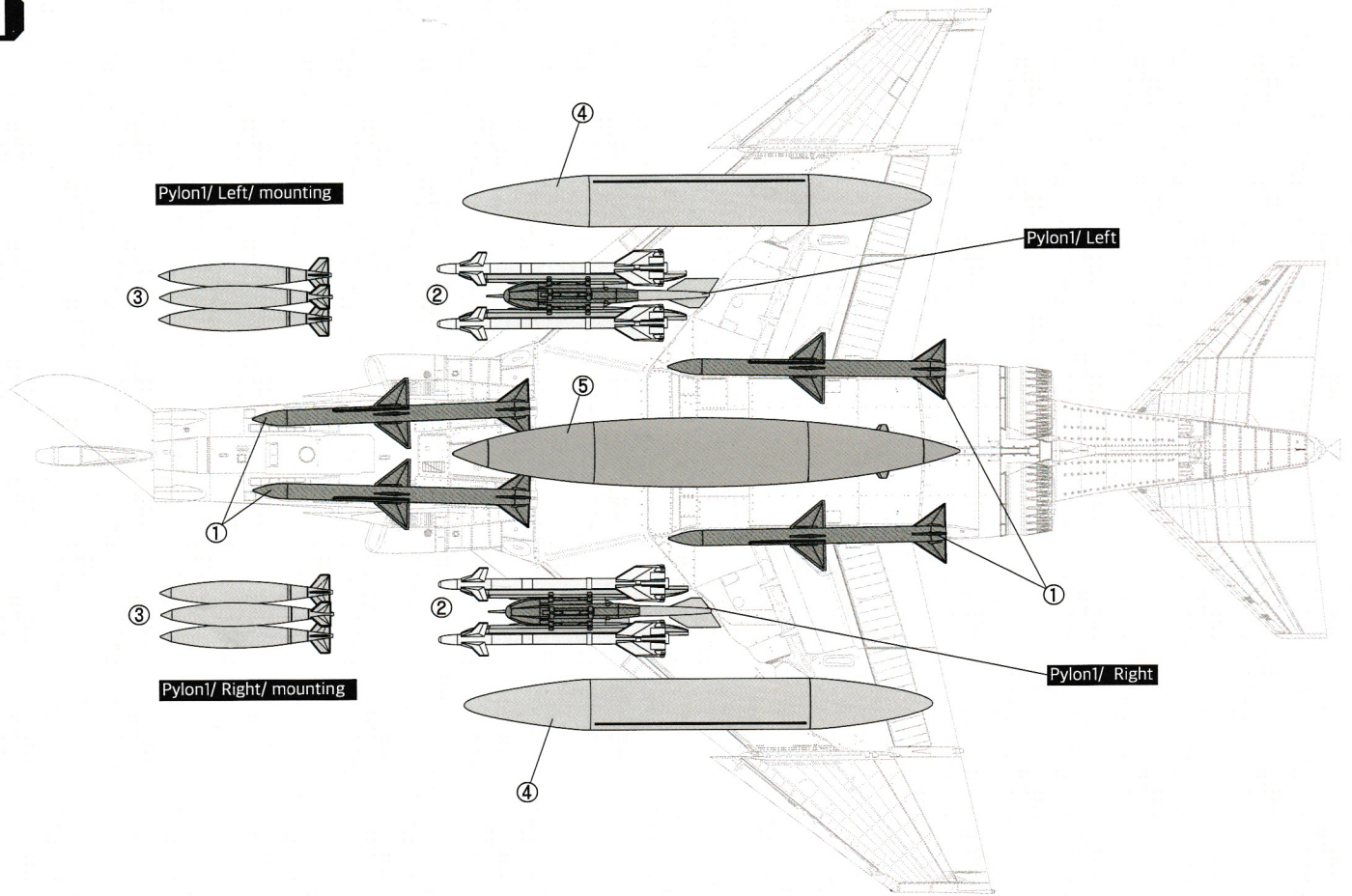
Q26<Q25> < > is the Fuel Tank/right part number



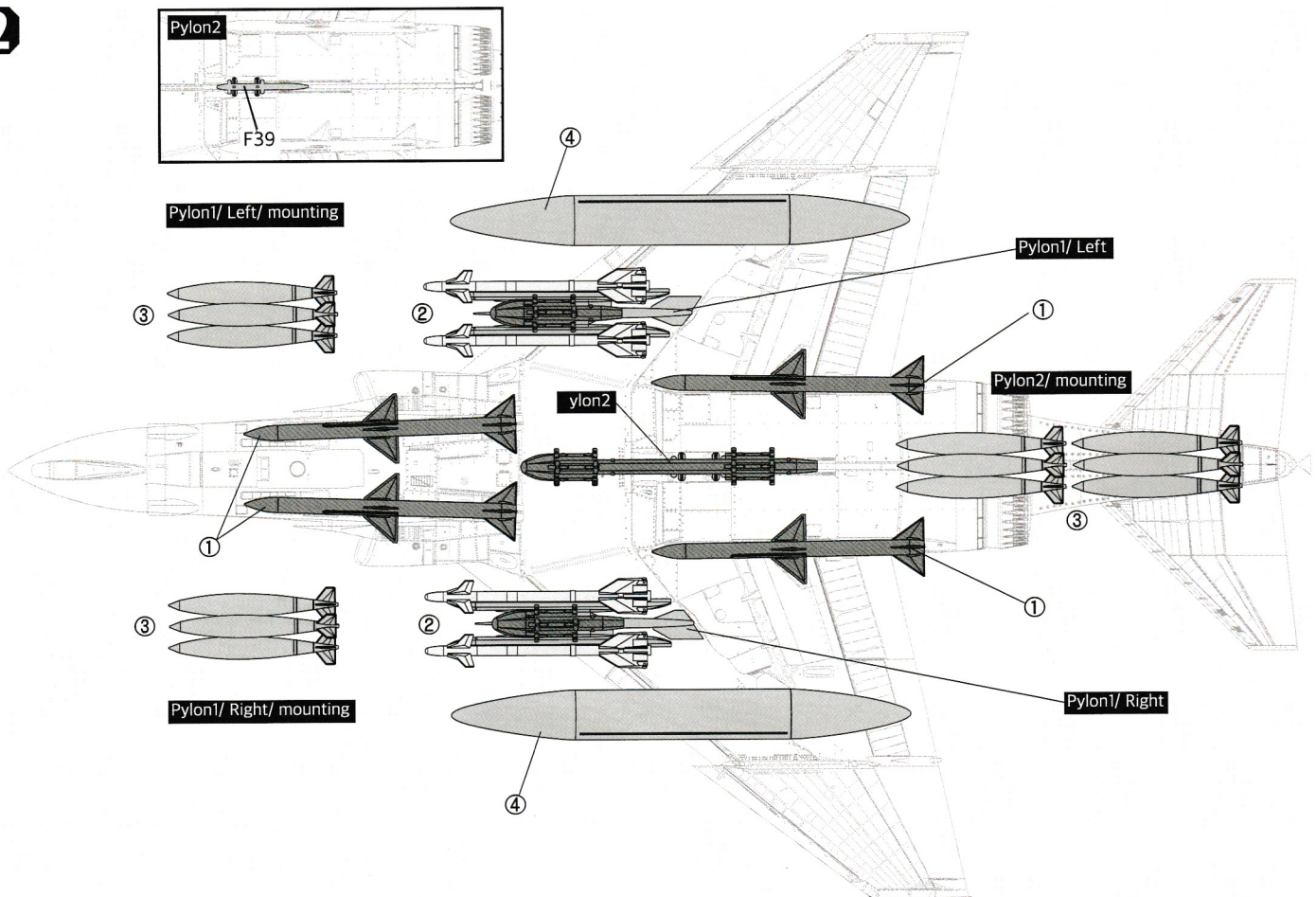
15



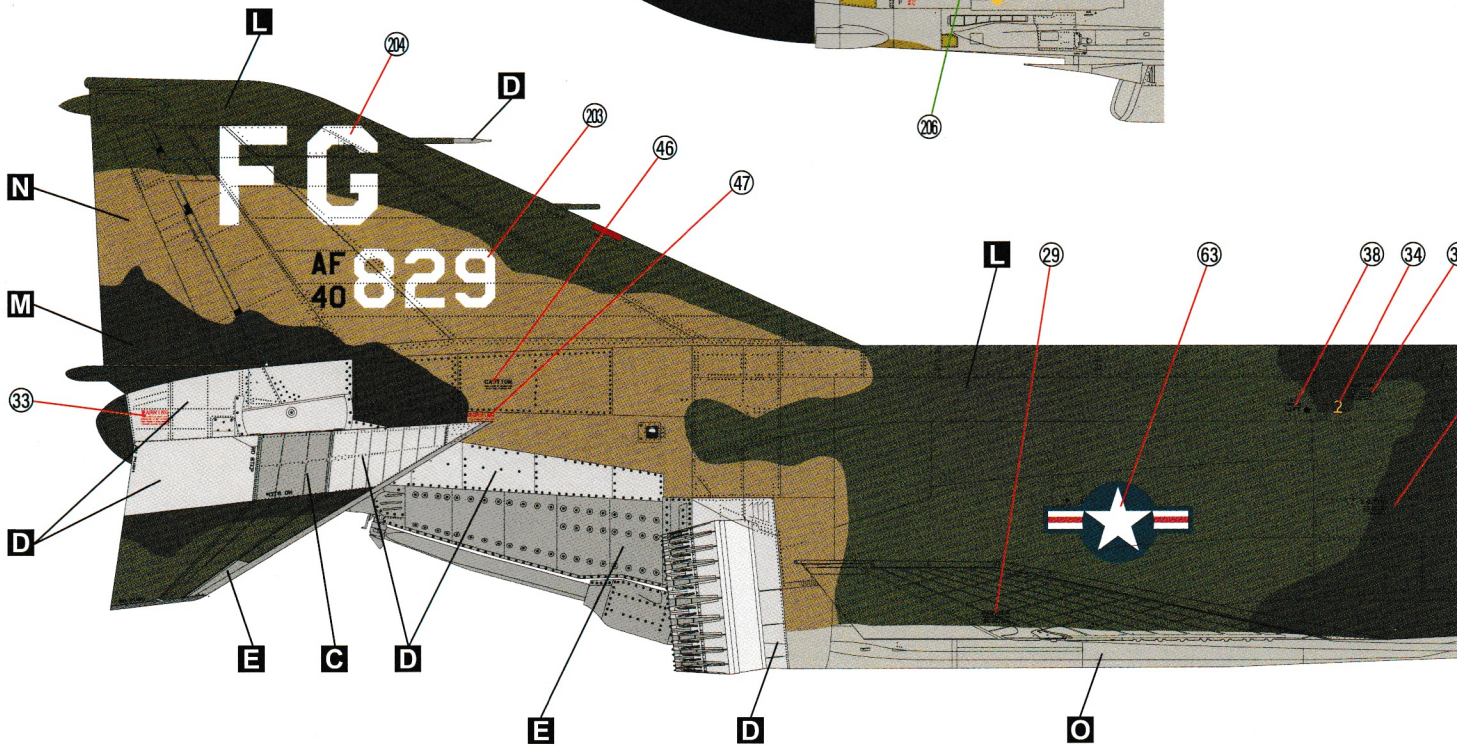
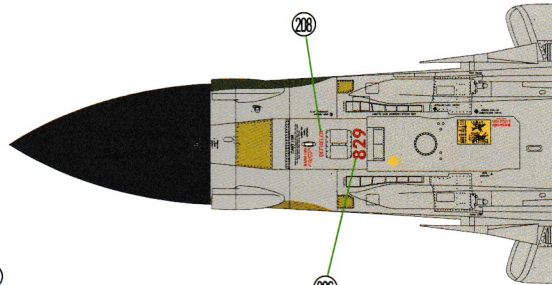
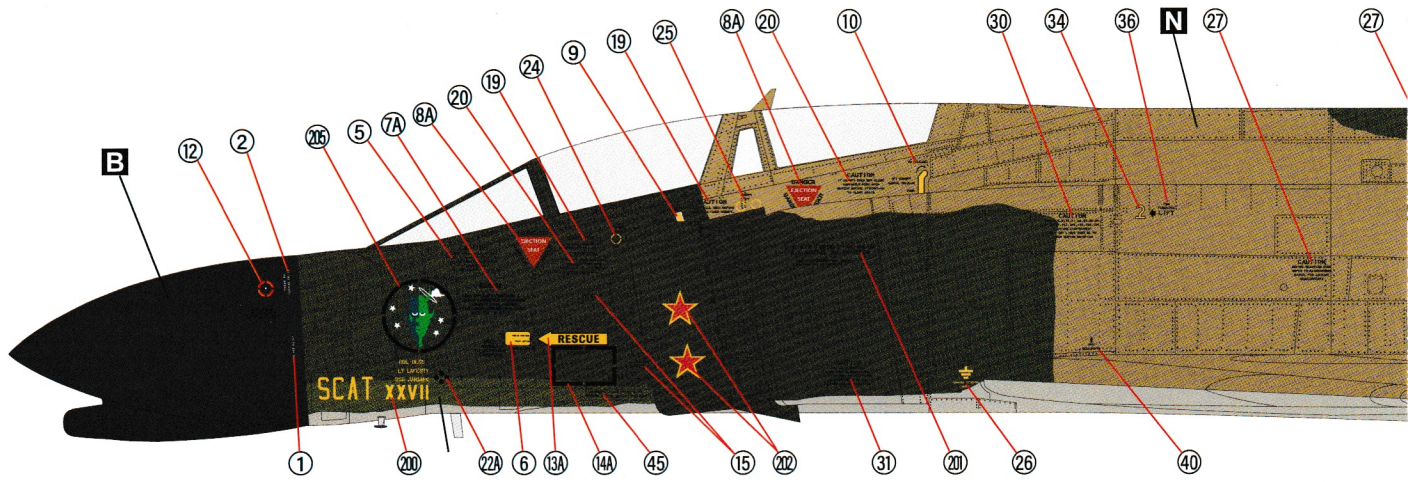
1

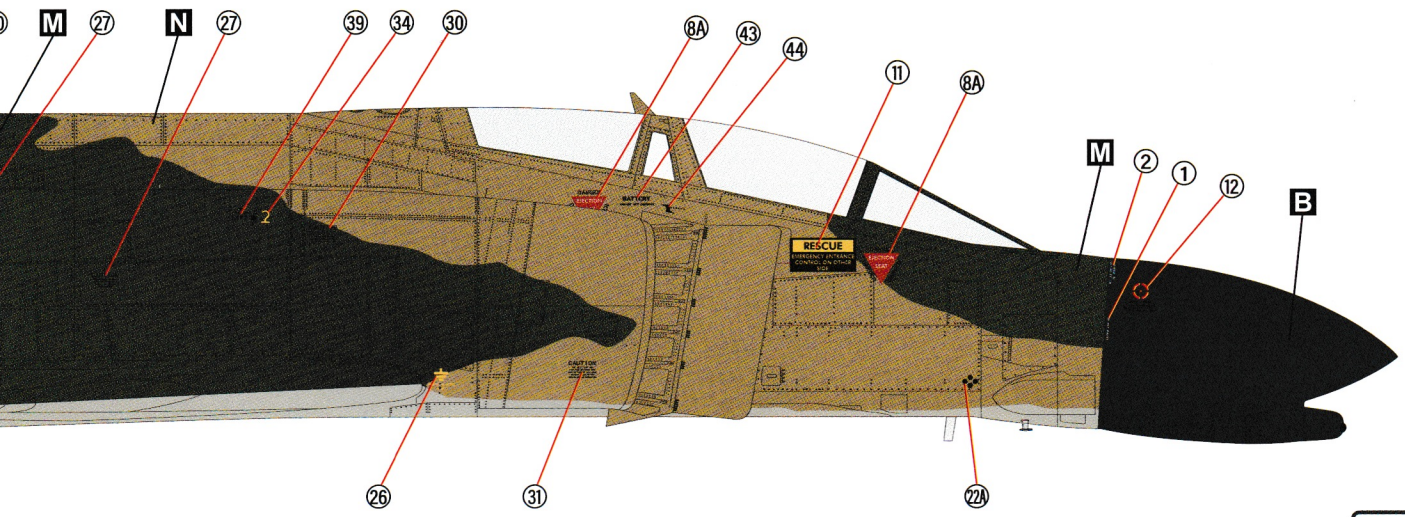
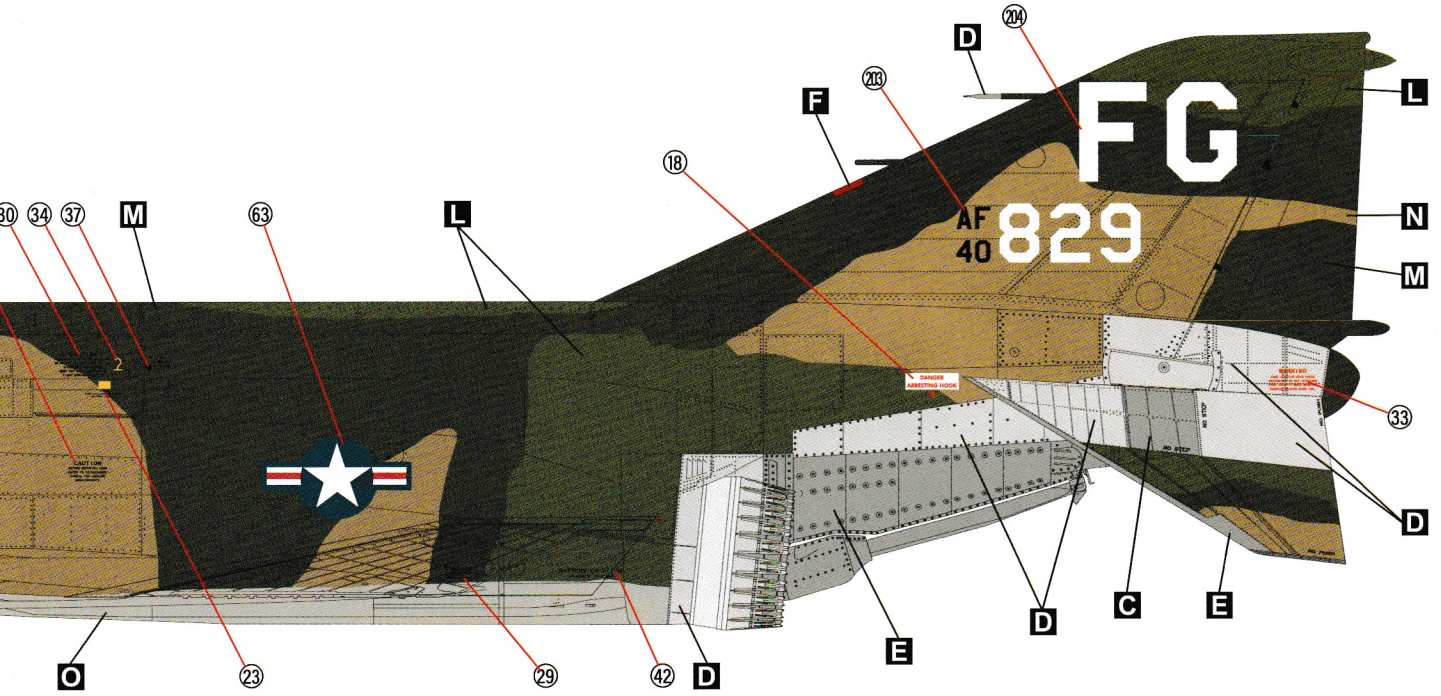


2



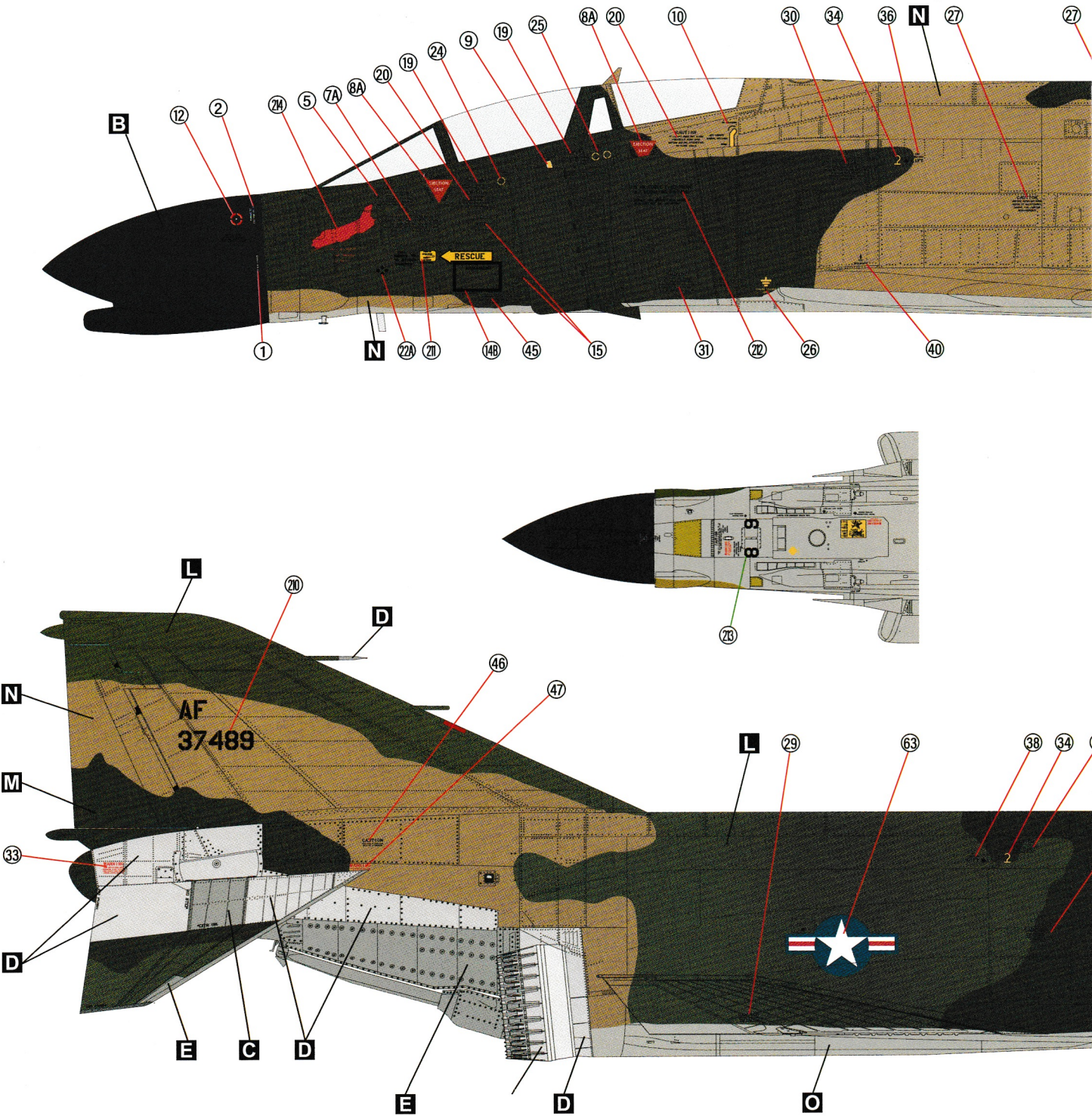
D McDonnell Douglas F-4-C-24-MC Phantom II, 64-0829
"Scat-XXVII", Col. Robin Olds, 1Lt Stephen B. Crocker, 433rd TFS, 8th TFW USAF, Ubon, Thailand, May 1967

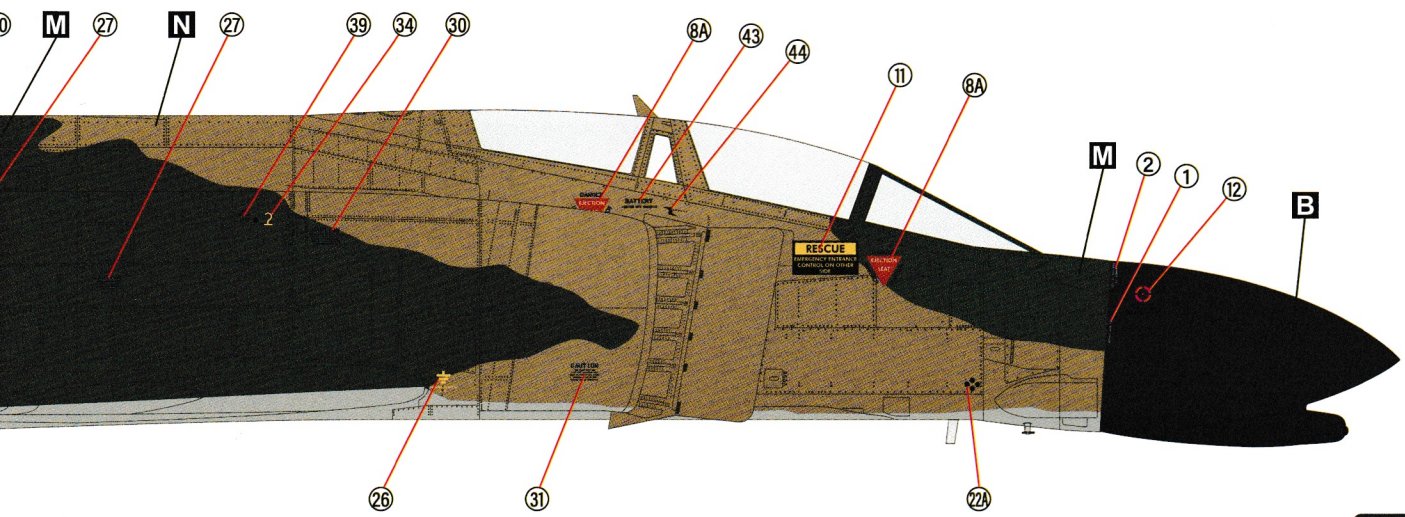
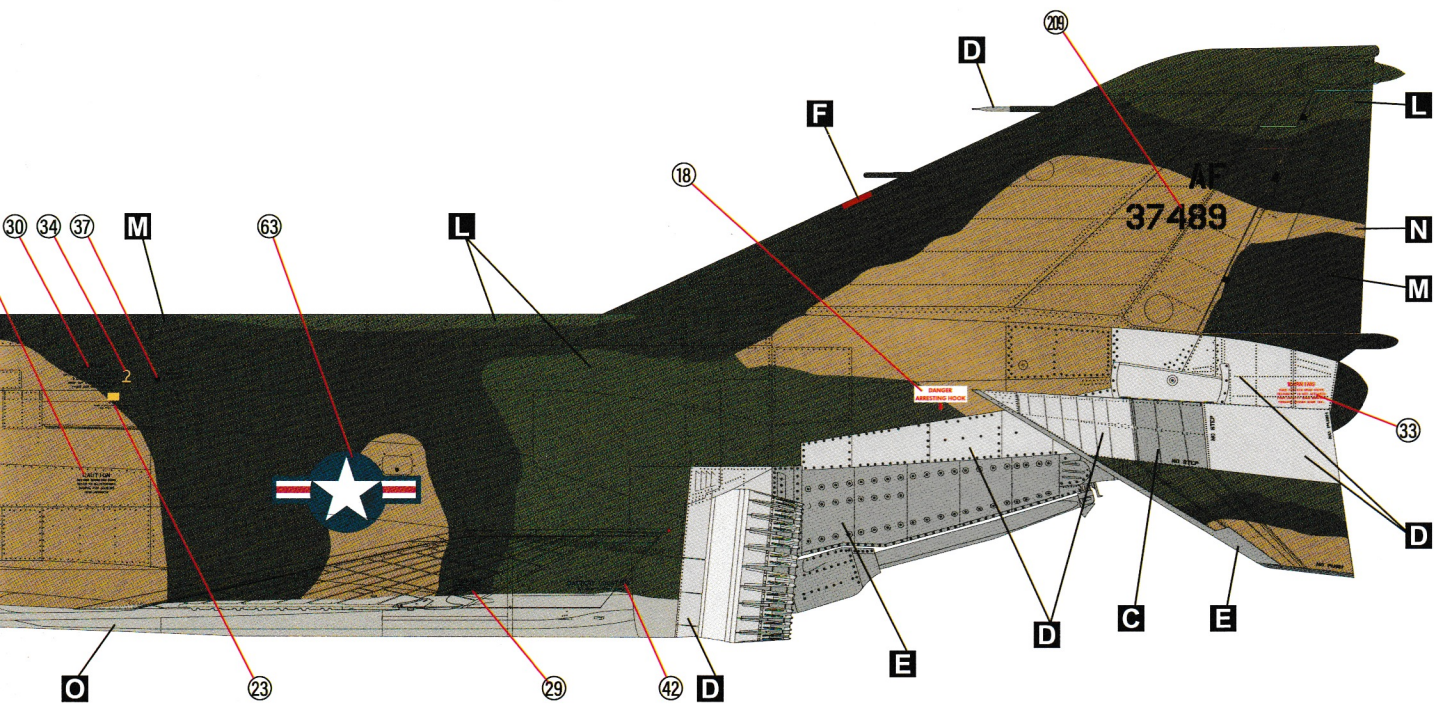




48037

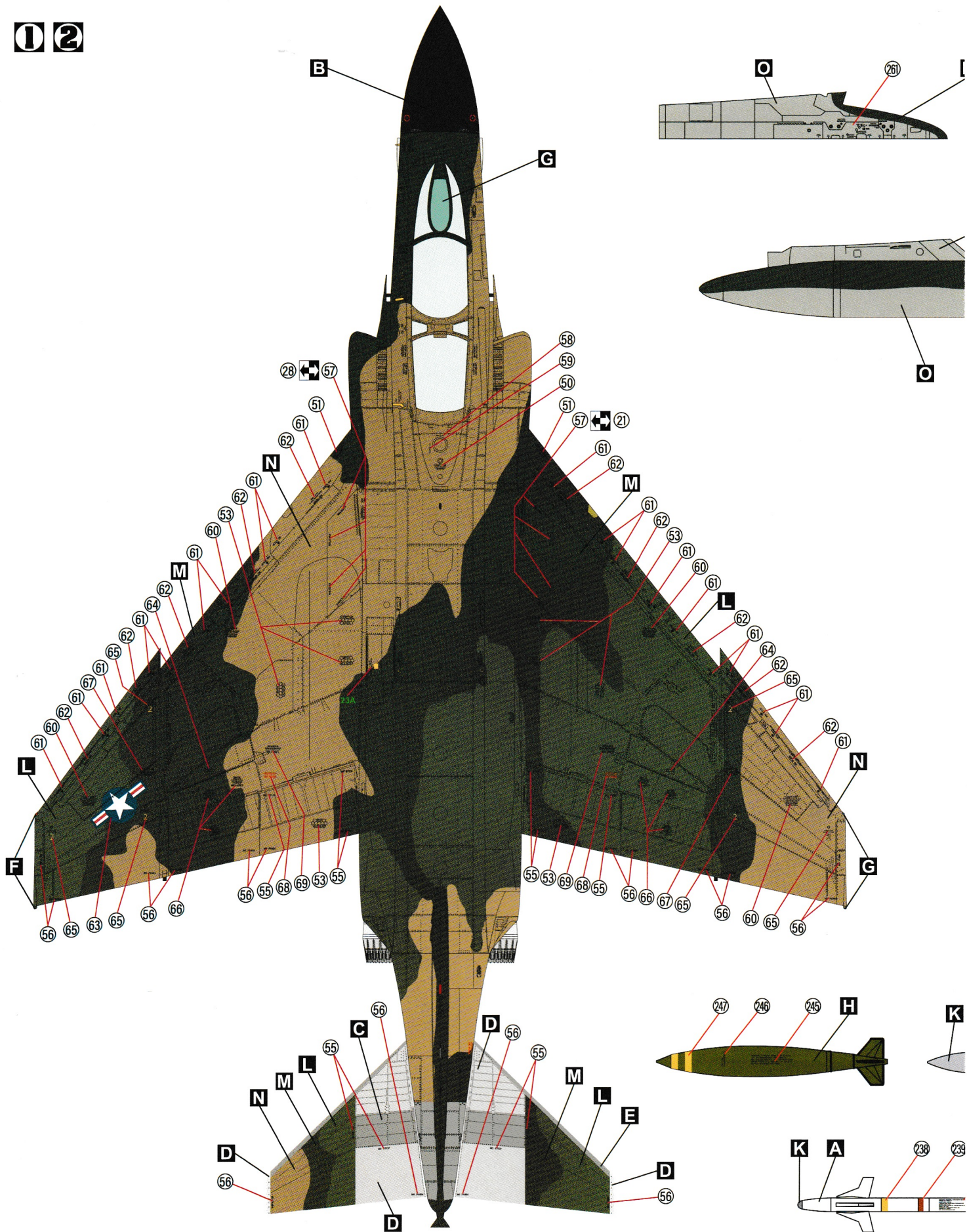
2 McDonnell Douglas F-4-C-18-MC Phantom II, 63-7489
Capt. William J. Swendner, 1Lt. Duane Buttell Jr., 480th TFS 35th, TFW USAF, Korat, Thailand, 14 July 1966

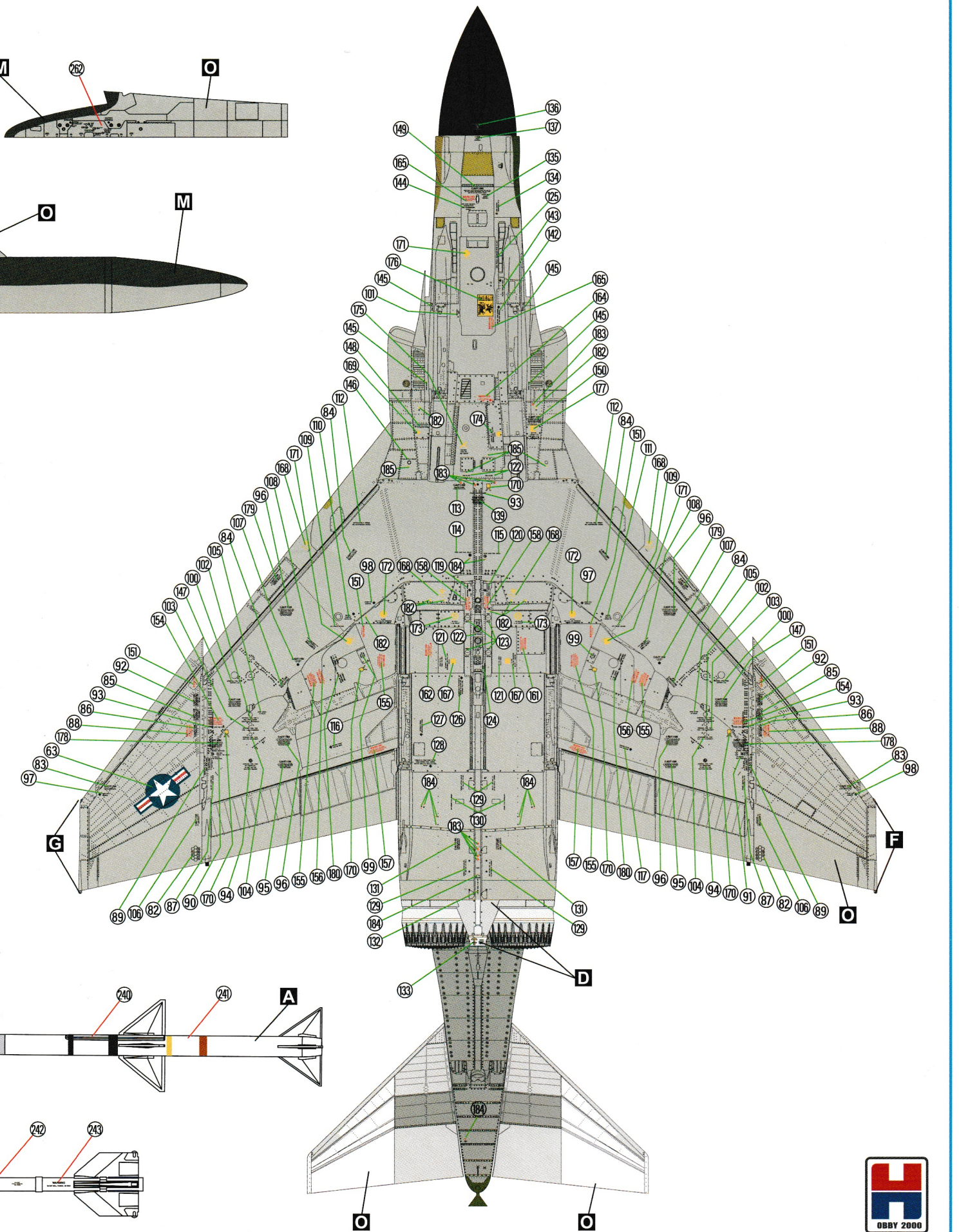




48037

1 2





48037