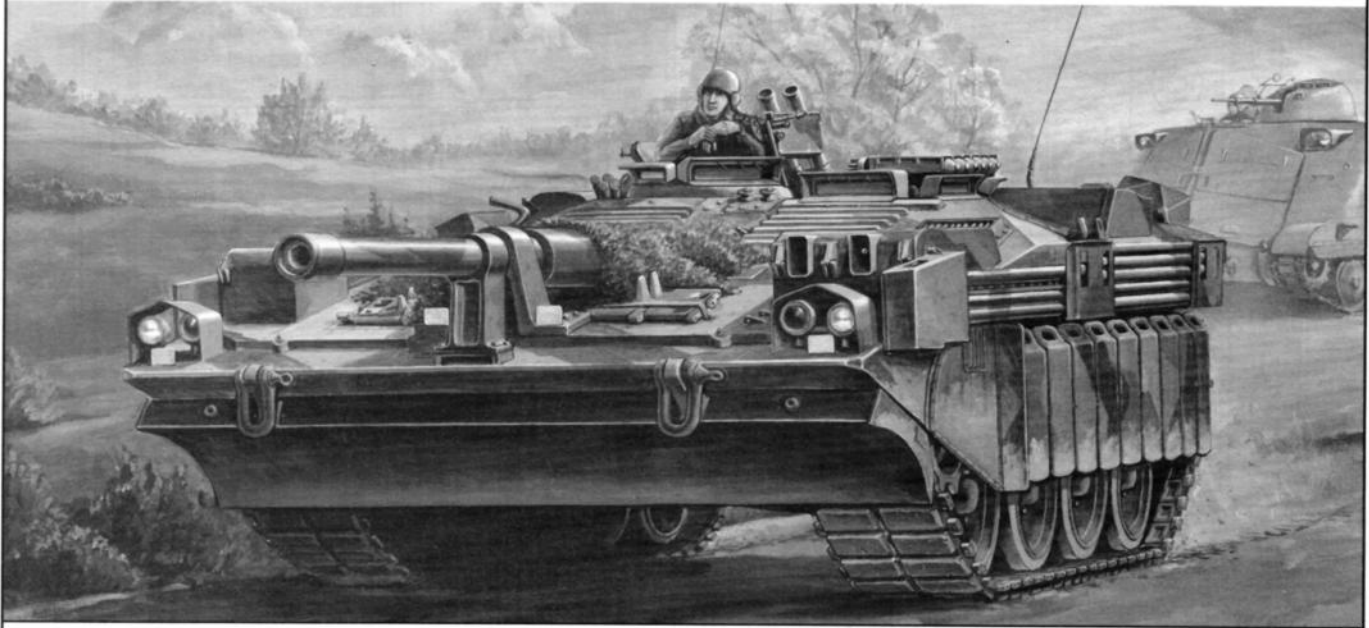


1:35 SCALE

Sweden Strv 103 C MBT

瑞典 Strv 103 C型坦克

颜色指示
COLOR

银色	Silver	暗绿色	Dark green
深蓝色	Navy blue	沙棕色	Sandy brown
黑铁色	Steel	黑灰色	Black gray
消光黑	Flat black	烧铁色	Burnt iron
透明红	Clear red	浅绿色	Light green
红色	Red		

cyanoacrylate glue
使用强力胶weight
配重make hole
钻孔cut / remove
切除bend
弯曲file / sand
锉平option
选择no cement
不涂胶水decal
贴纸

水贴纸的使用:

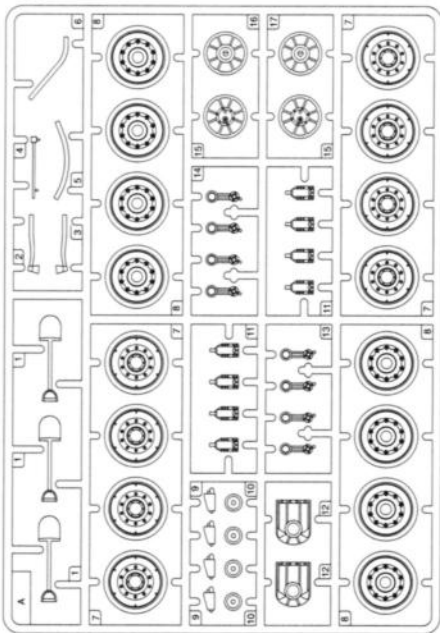
1. 从水贴上剪下印花;
2. 将印花放入温水中浸10秒, 然后放在干净布上。
3. 拿着印花纸板将印花移到模型上;
4. 手指蘸水将印花移到适当的位置;
5. 用软布轻压印花直至水干, 汽泡消失。

DECAL APPLICATION

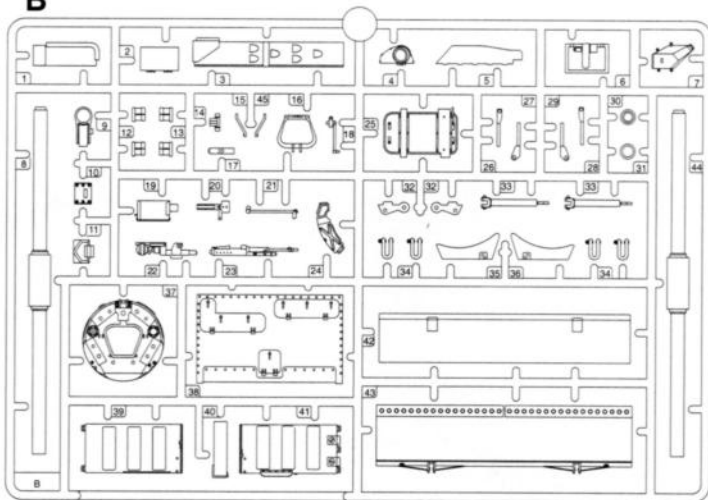
1. Cut off decal from sheet.
2. Dip the decal in tepid water 40°C for about 10 sec. and place on a clean cloth.
3. Hold the backing sheet edge and slide decal onto the model.
4. Move decal into position by wetting decal with finger.
5. Press decal gently down with a soft cloth until excess water and air bubbles are gone.

部品图 Parts

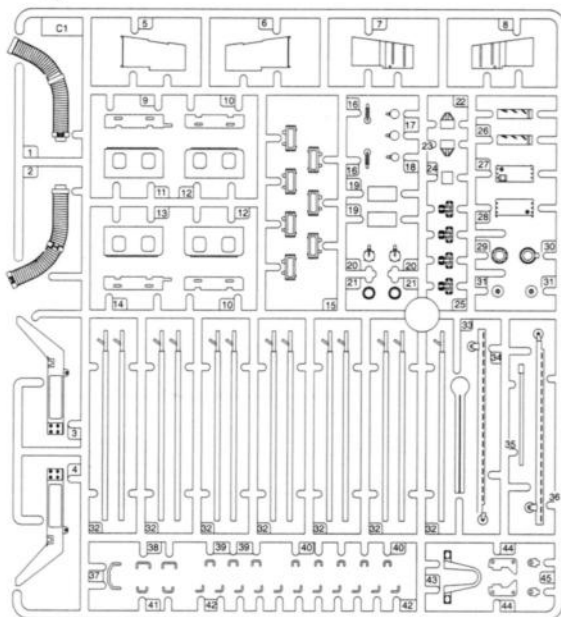
A



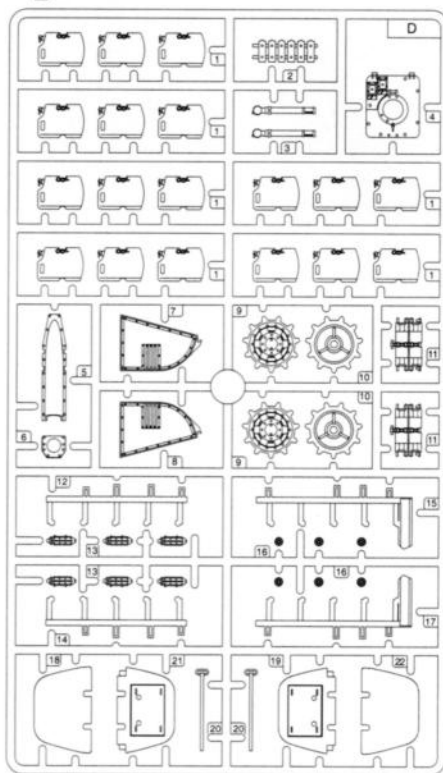
B



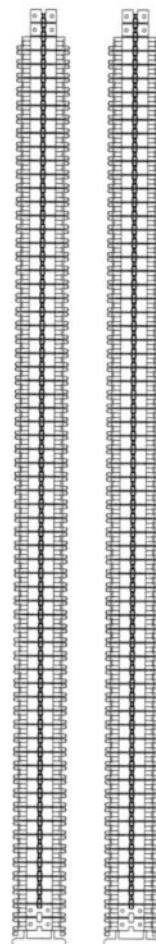
C



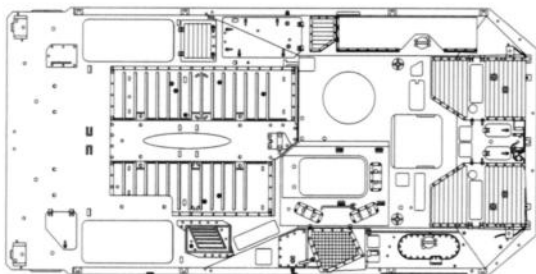
D



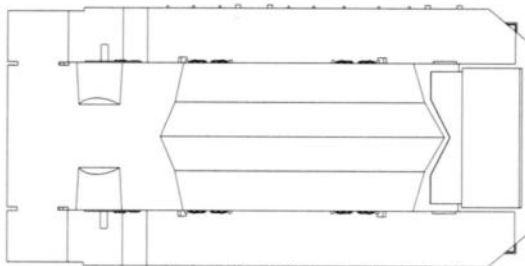
履带
Track



车面
Upper hull



车底
Lower hull

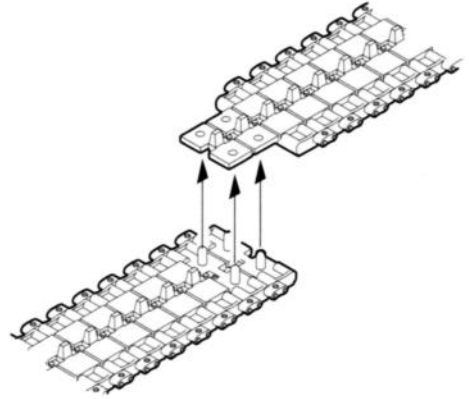


聚乙烯套
Polyethylene cap

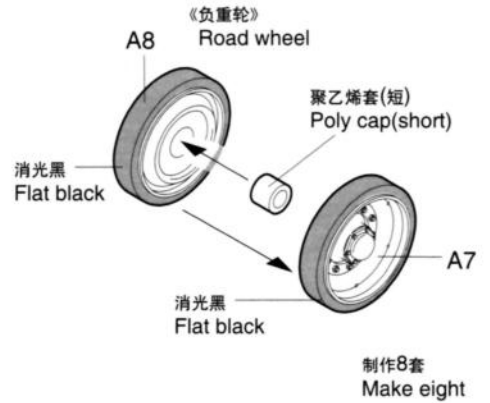
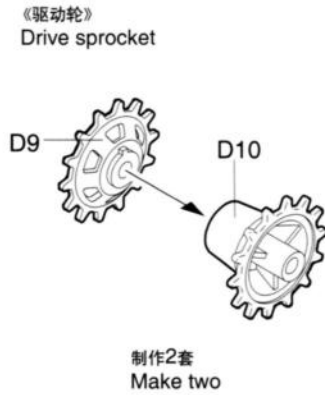
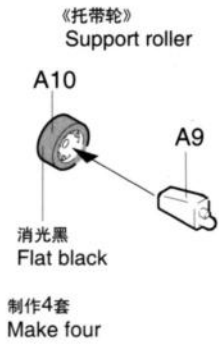


1 履带联接 Track construction

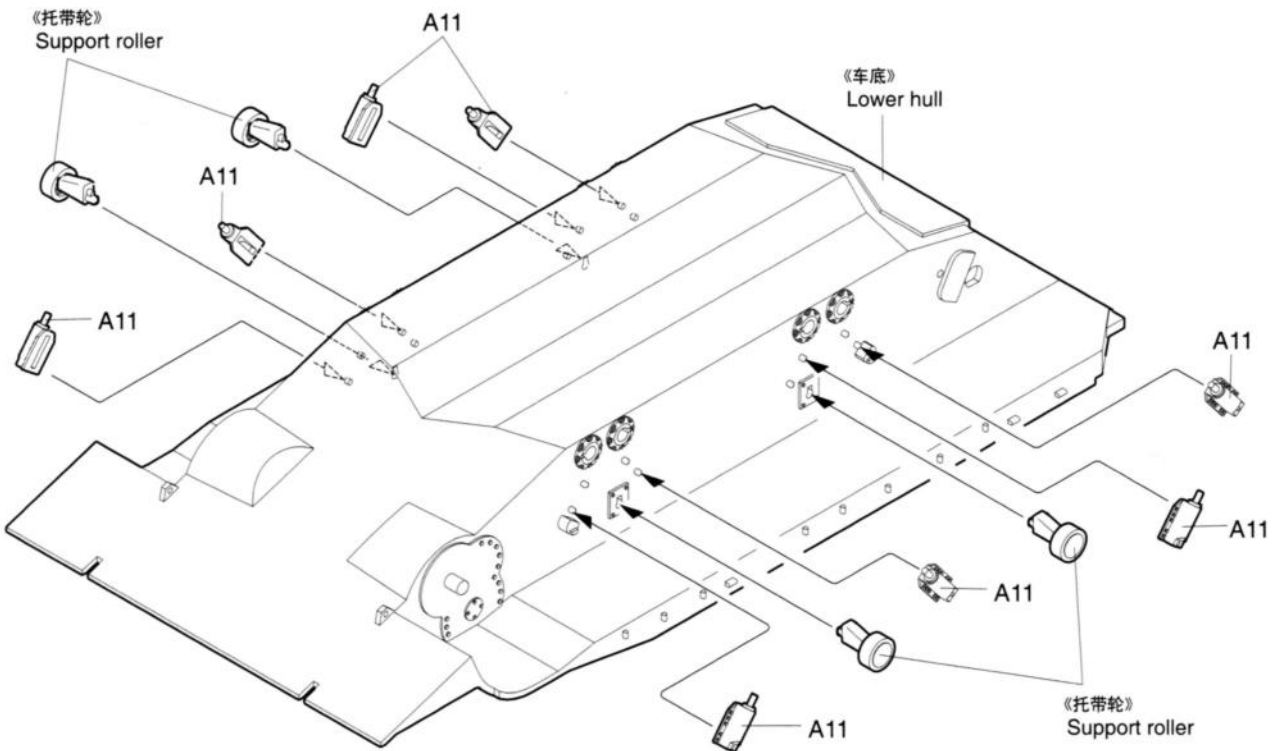
定位好履带后加热软化接头并压紧：
如果履带断裂，用细铜丝连接固定。
Melt pin beads carefully with a heated nail etc.
Immediately press pin heads with your finger;
If track is broken strengthen with staples or thread.



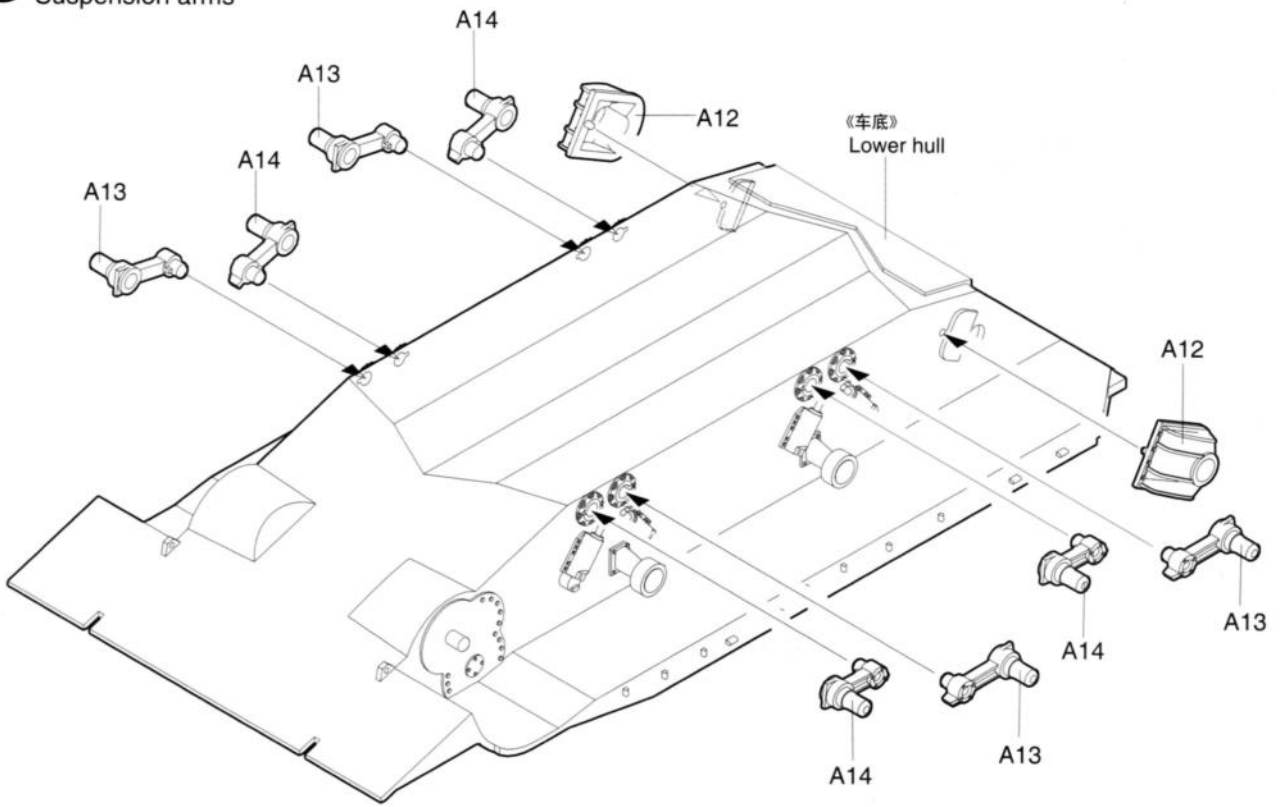
2 车轮组装 Wheel assembly



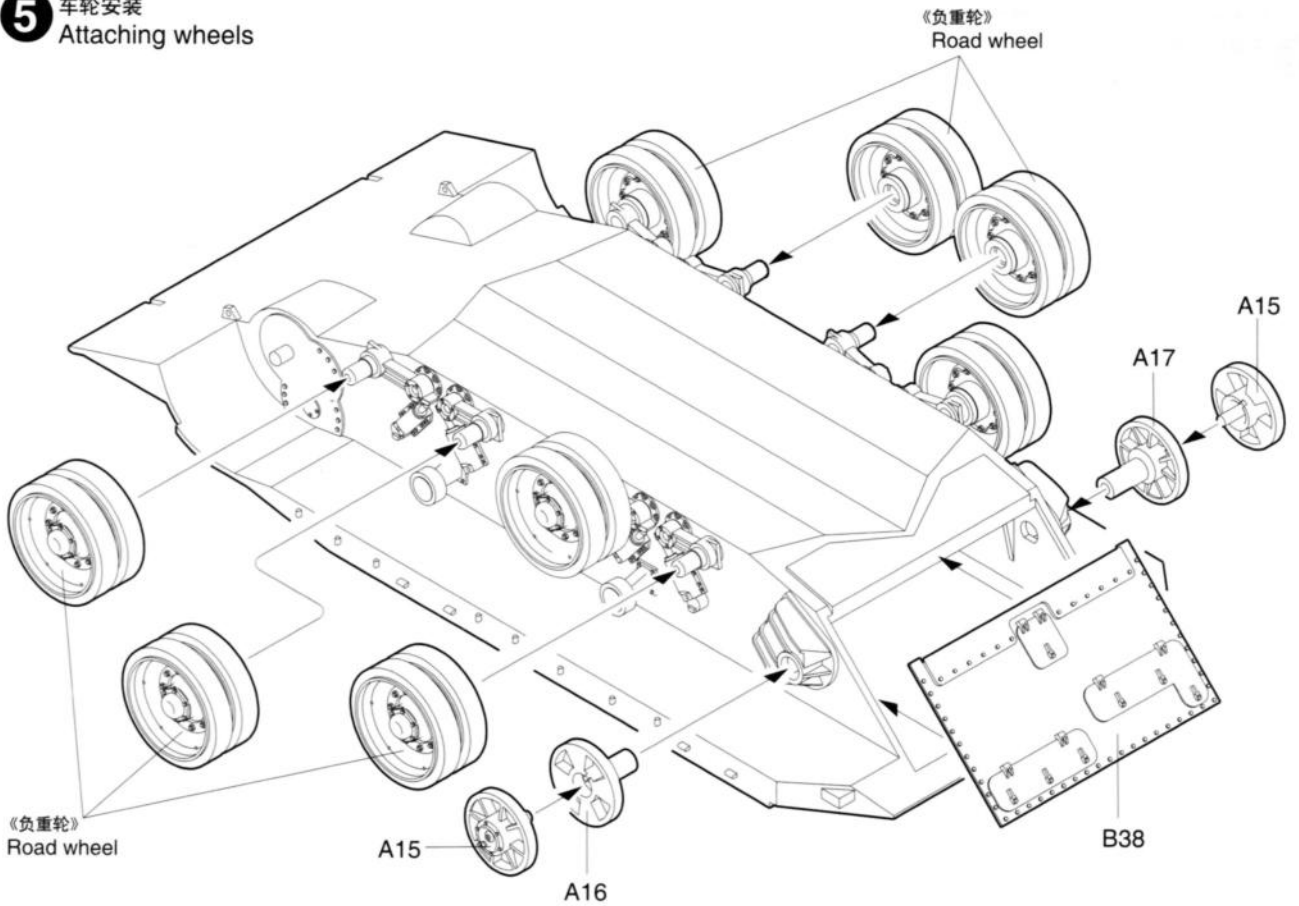
3 托带轮安装 Attaching roller



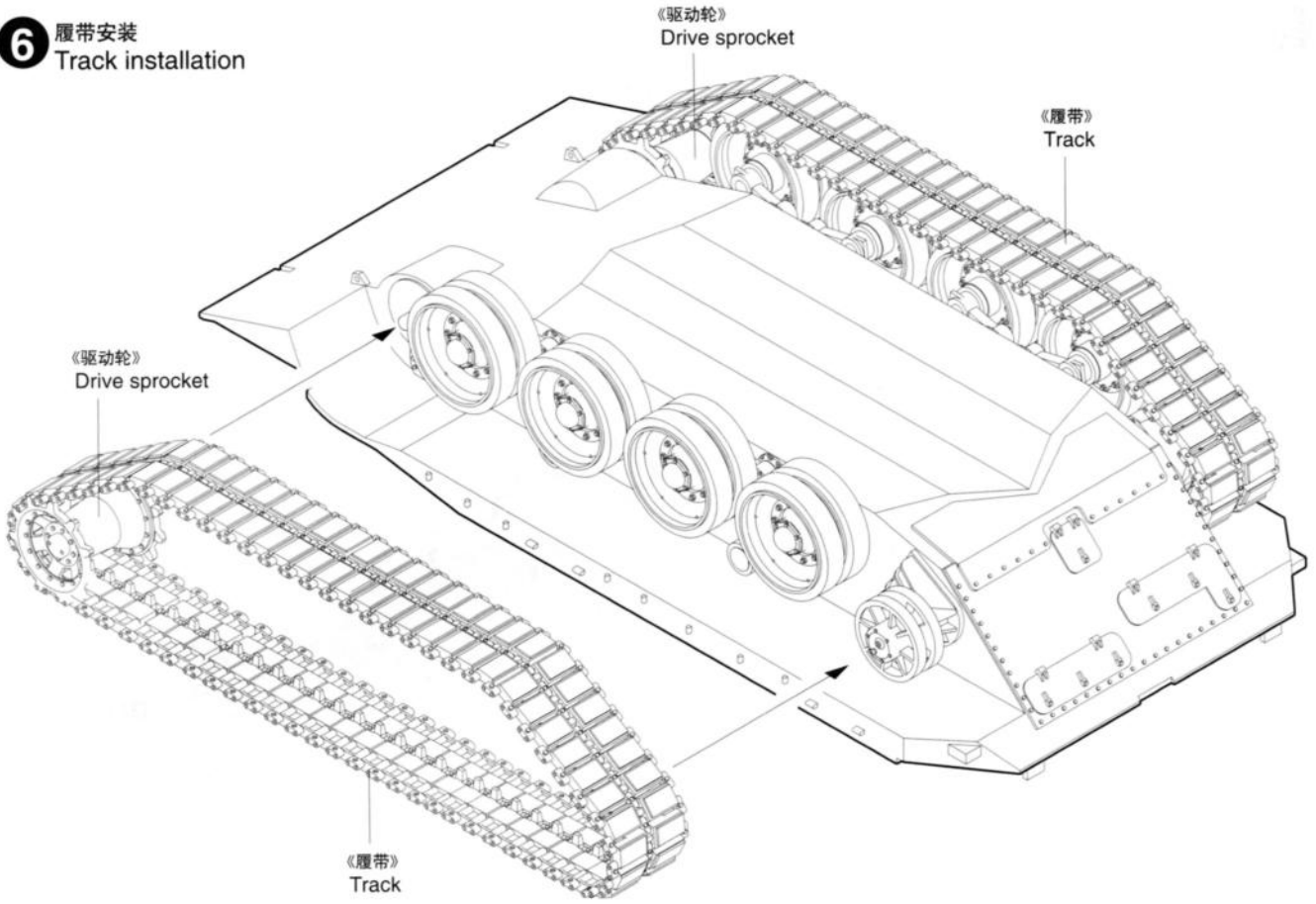
4 悬臂安装
Suspension arms



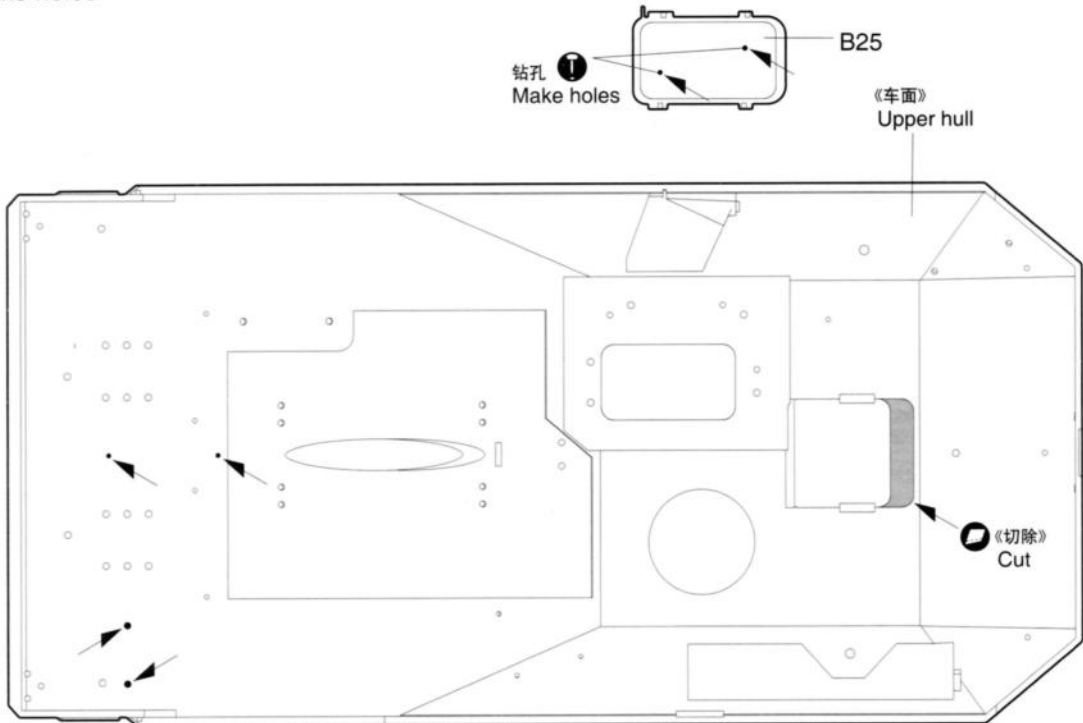
5 车轮安装
Attaching wheels



6 履带安装
Track installation

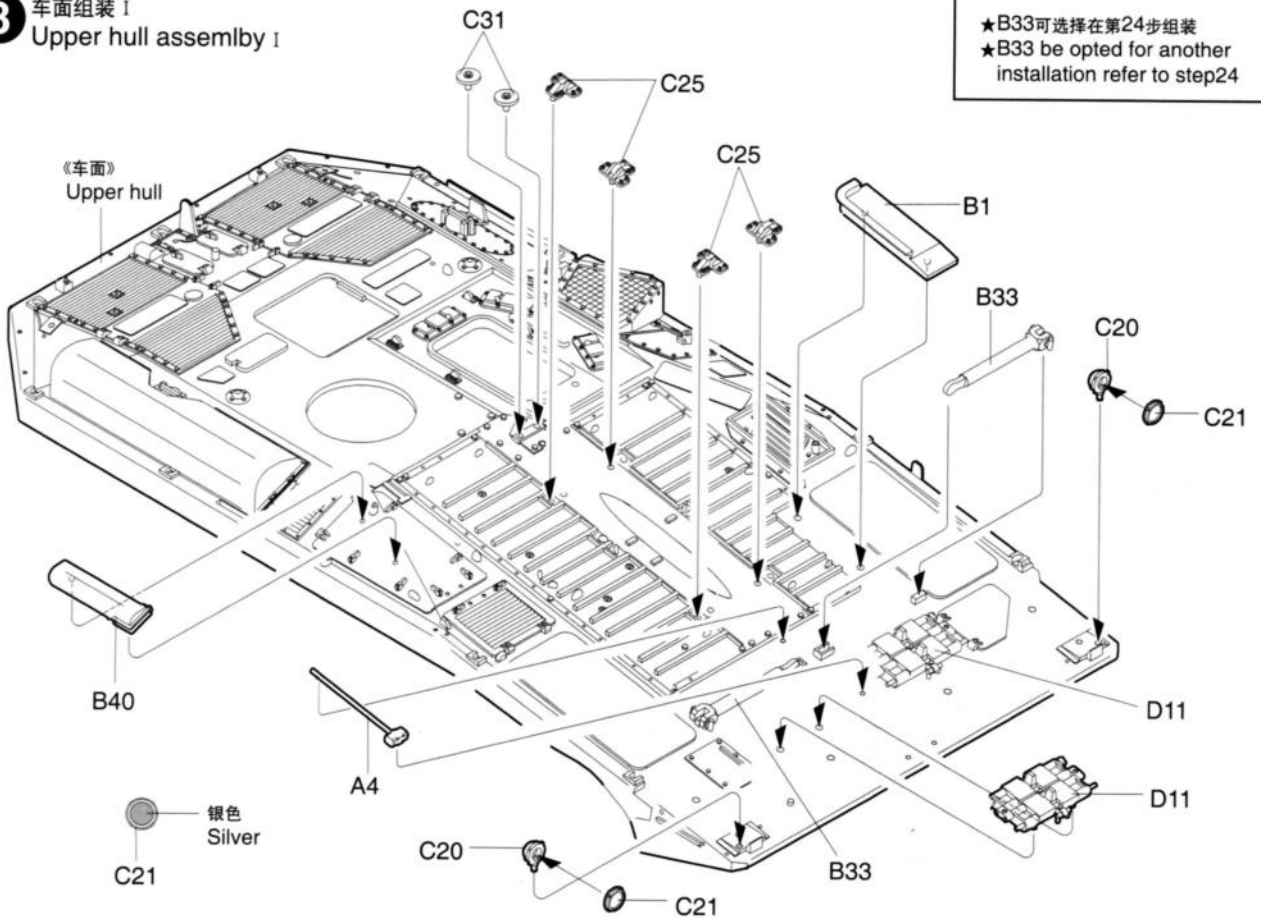


7 钻穿图中涂黑的定位孔
Make holes

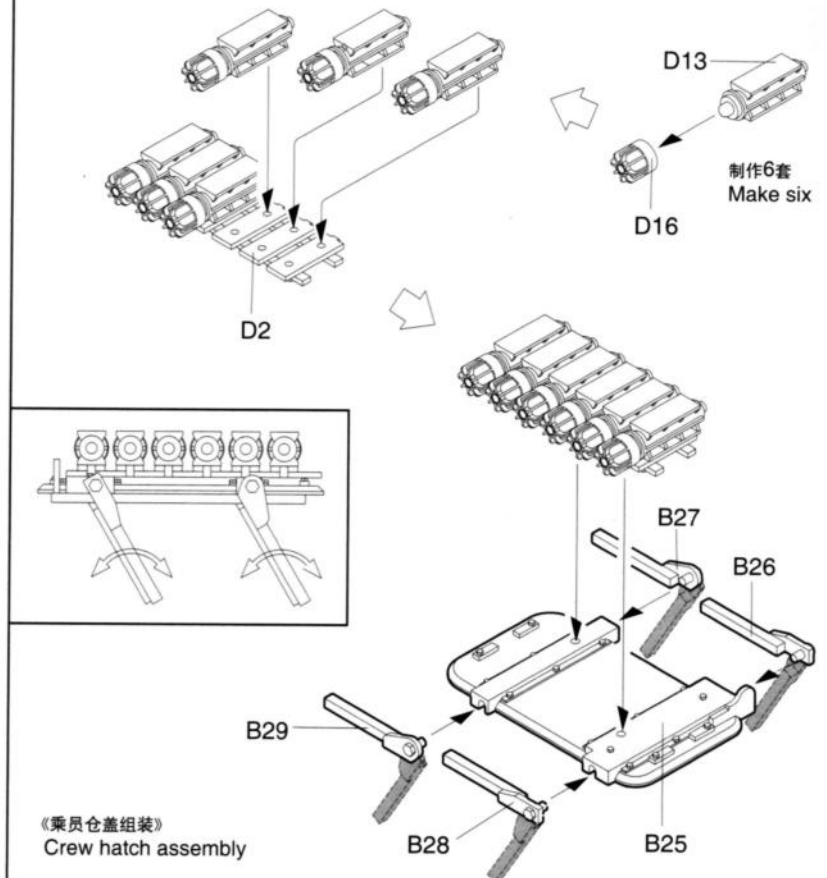
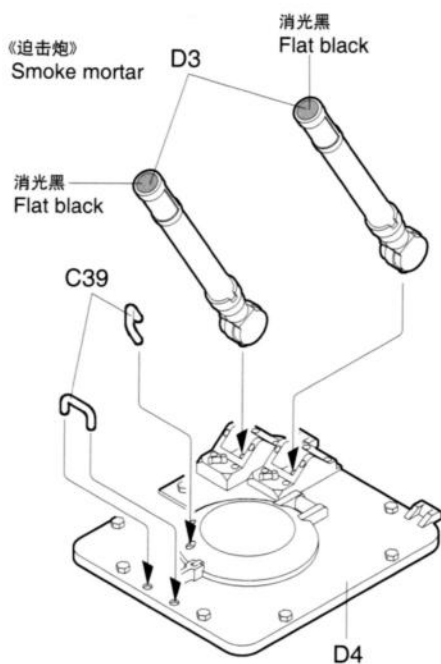


8 车面组装 I
Upper hull assembly I

★B33可选择在第24步组装
★B33 be opted for another installation refer to step24

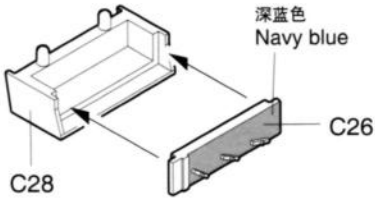


9 车面组件组装 I
Upper hull parts assembly I

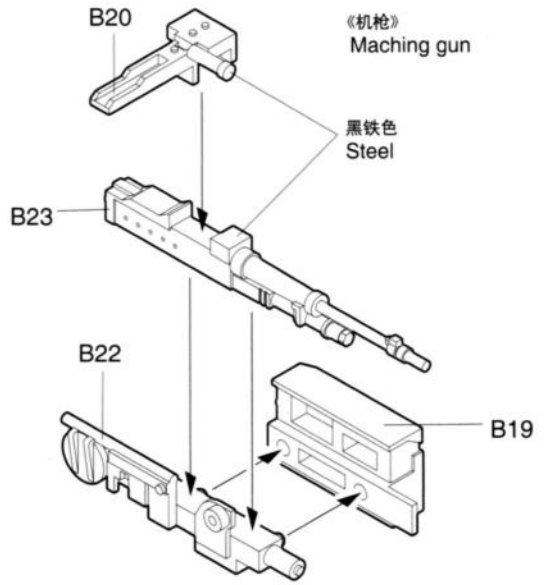
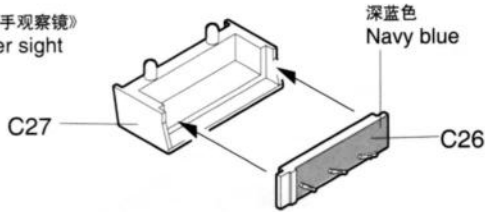


10 车面组件组装 II
Upper hull parts assembly II

《车长观察镜》
Commander sight

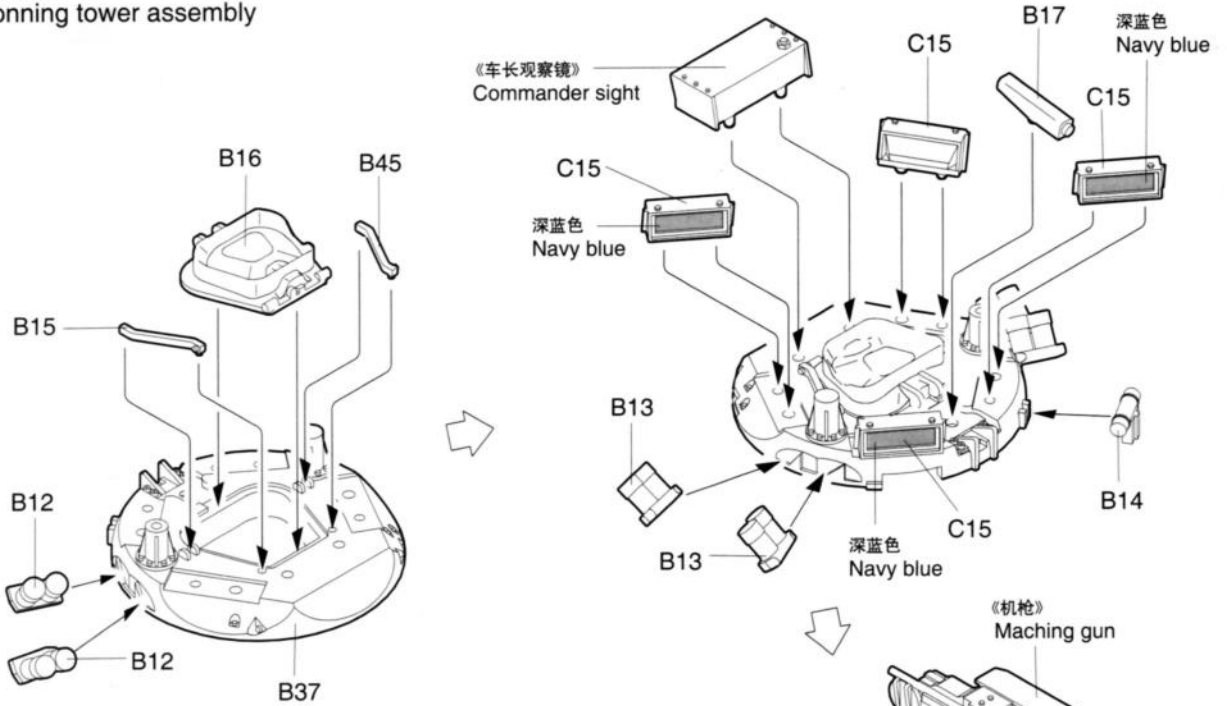


《操作手观察镜》
Driver sight

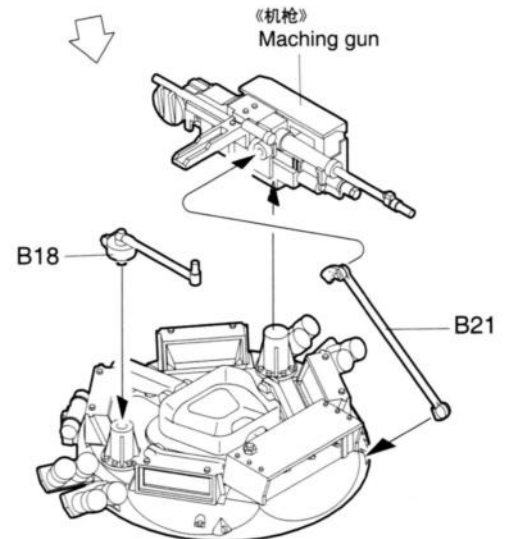
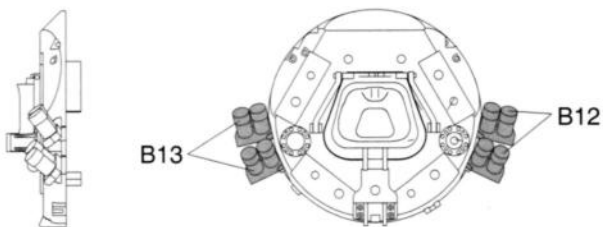


11 指挥塔组装
Conning tower assembly

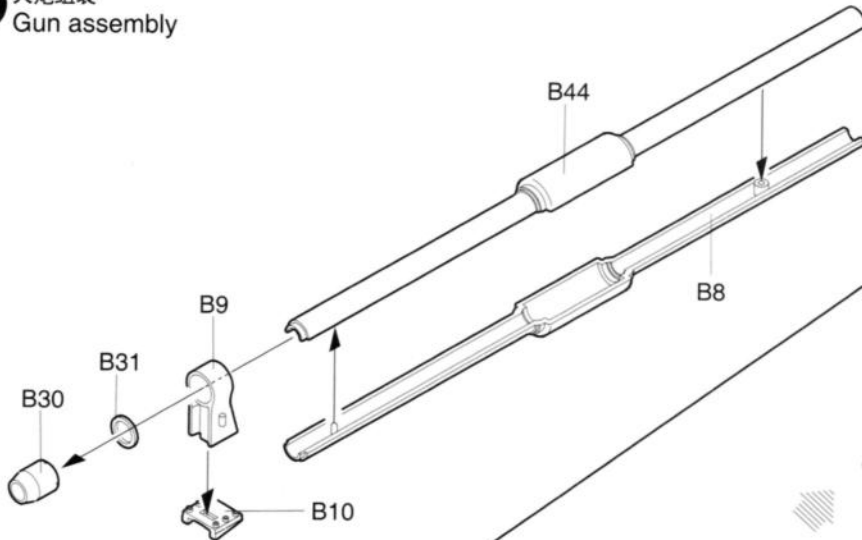
《车长观察镜》
Commander sight



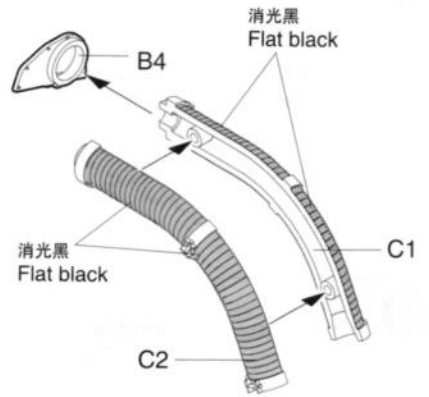
《烟幕发射器说明》
Smoke moto detail



12 火炮组装
Gun assembly



13 排气管组装
Exhaust hose assembly

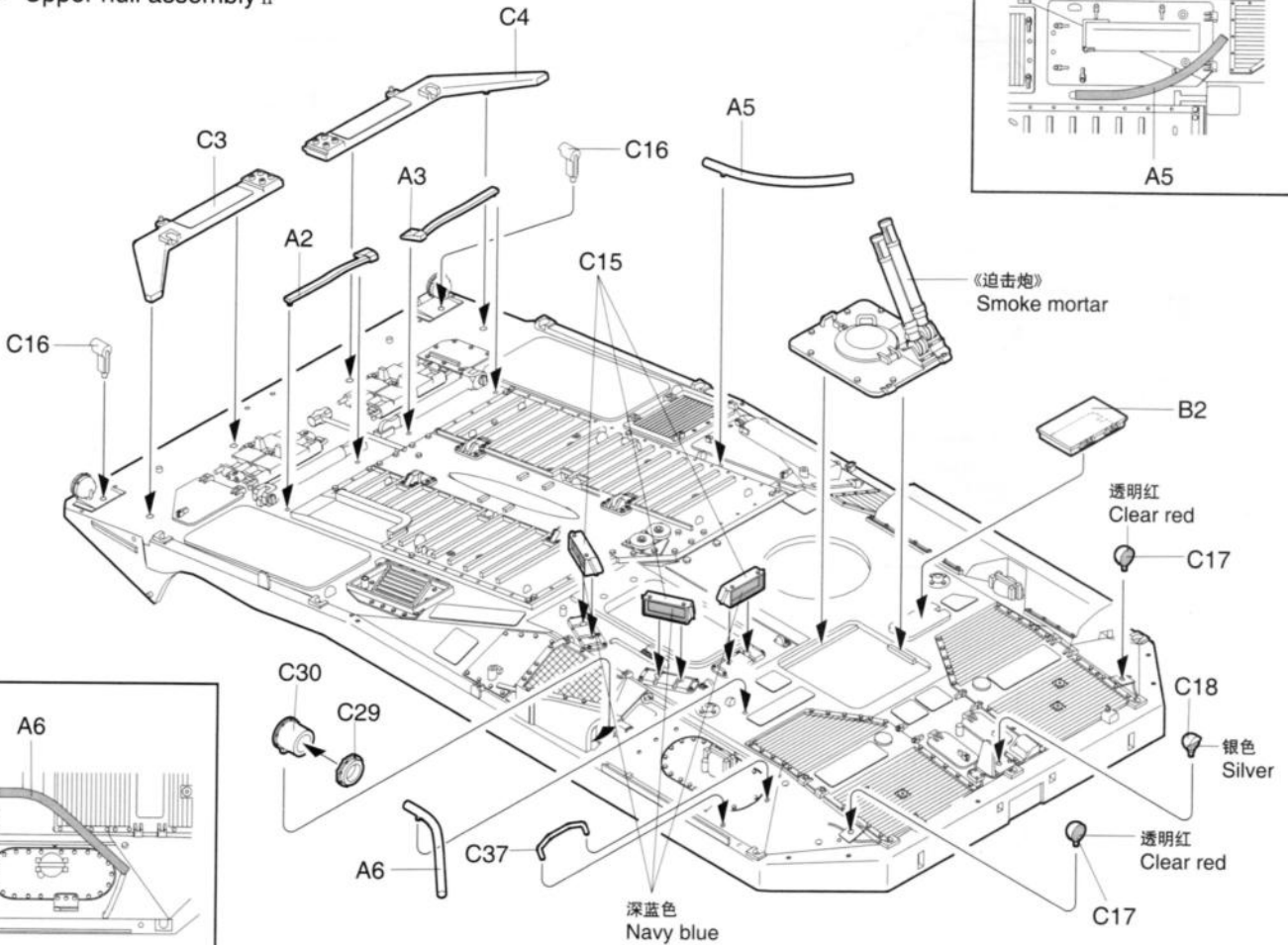


? 可选择
Option

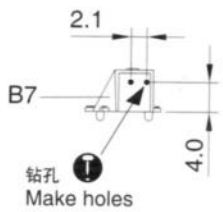
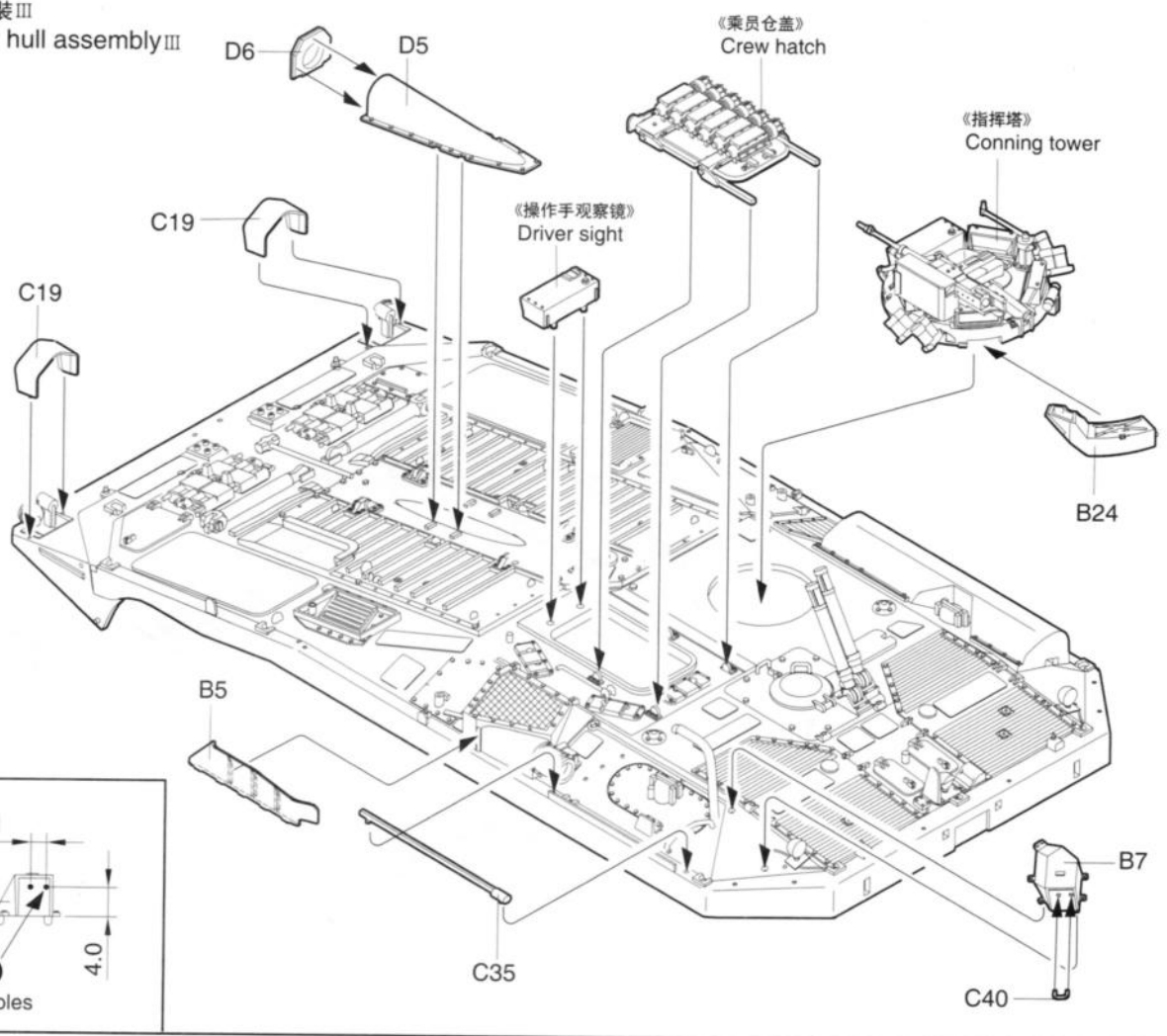
★ 可选装组件参考第25步
★ B4 be opted for another installation refer to step 25

⊖ 《切除》
Cut

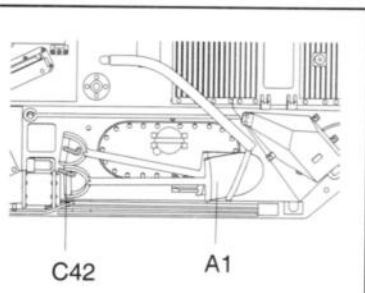
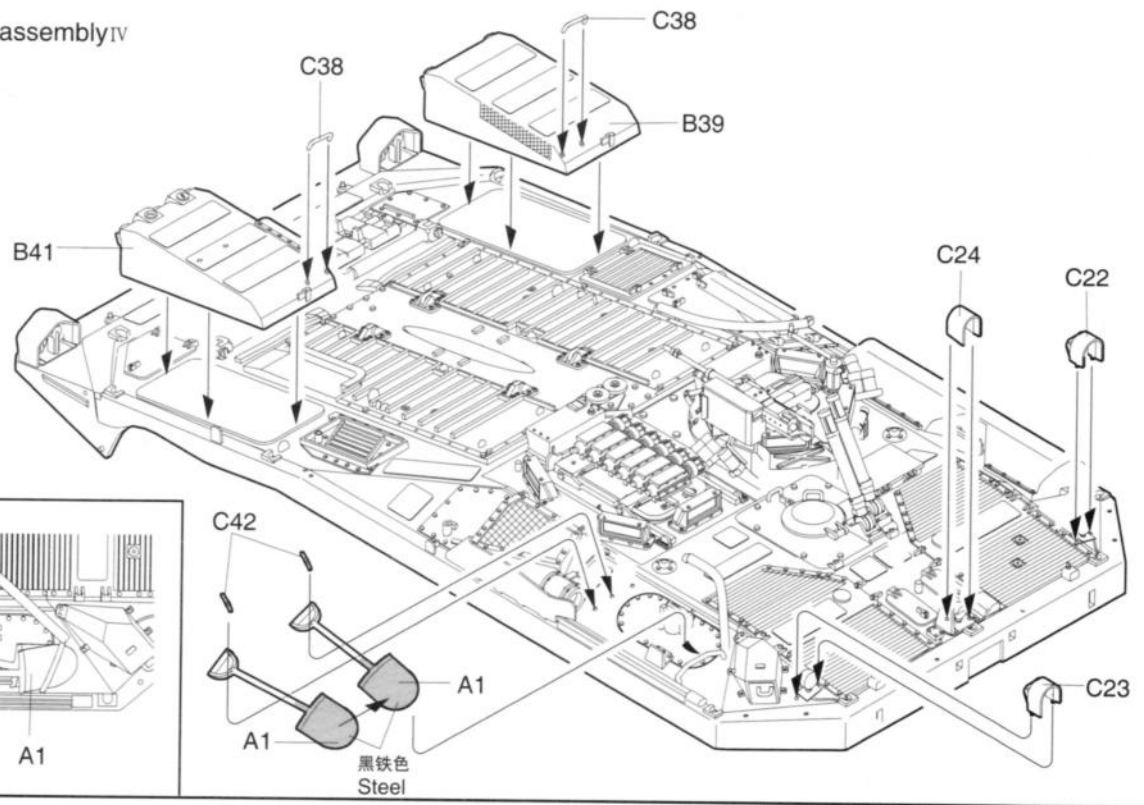
14 车面组装 II
Upper hull assembly II



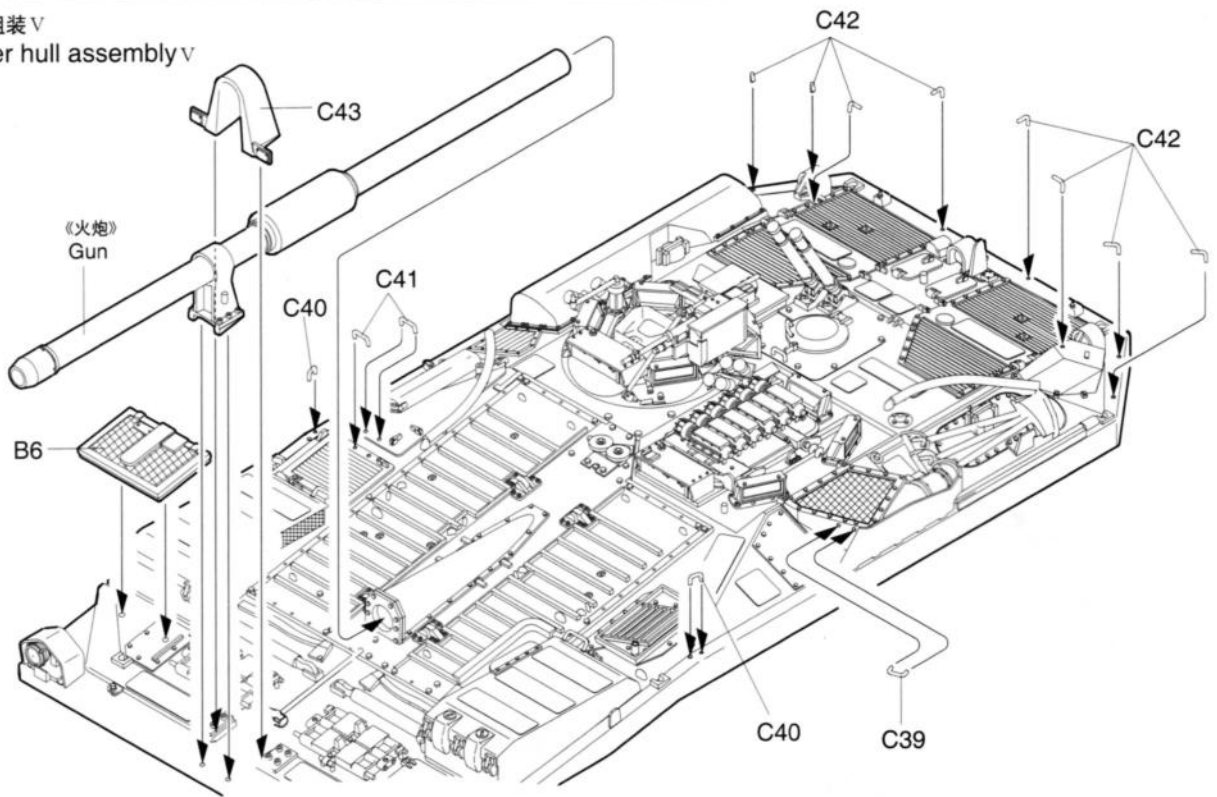
15 车面组装Ⅲ
Upper hull assemblyⅢ



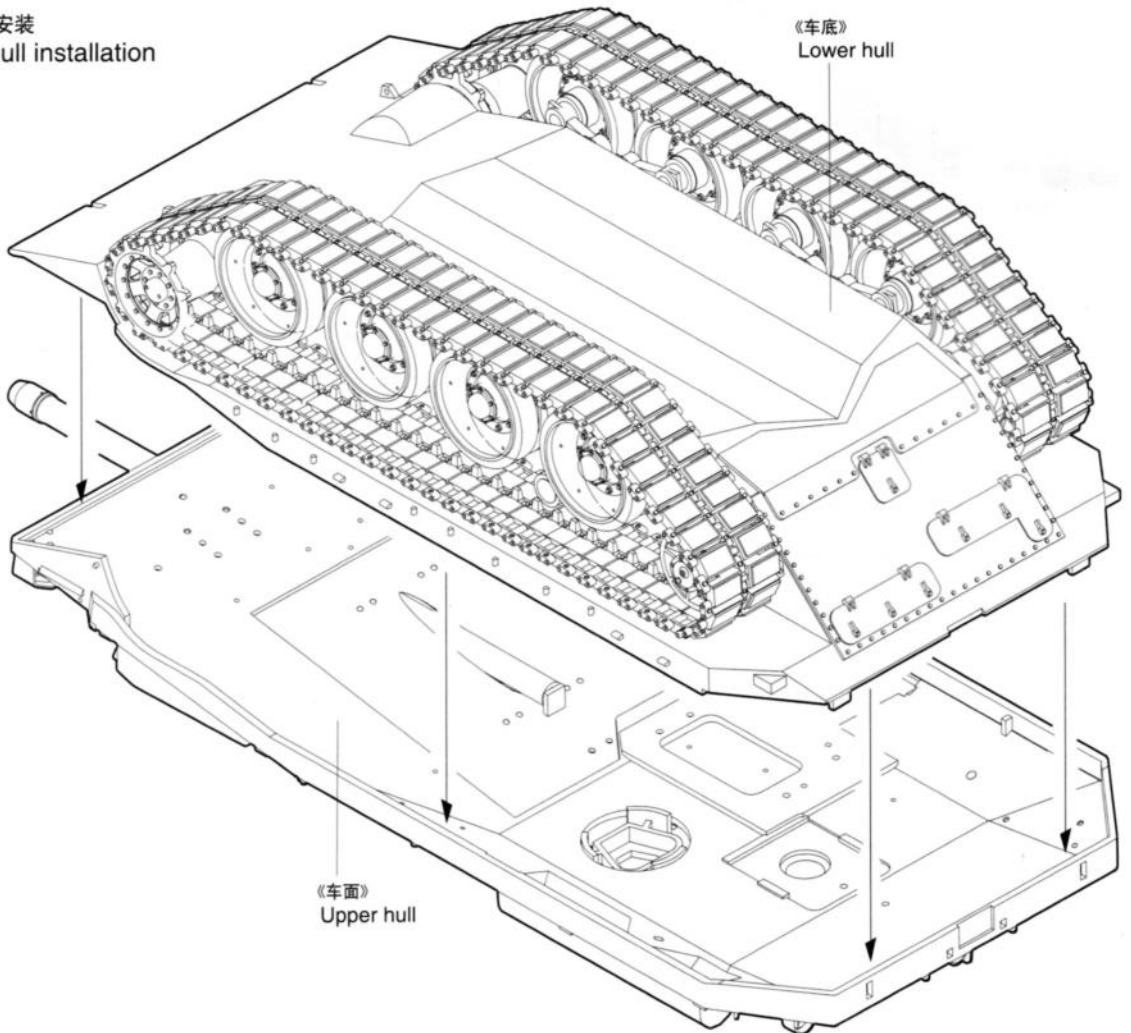
16 车面组装Ⅳ
Upper hull assemblyⅣ



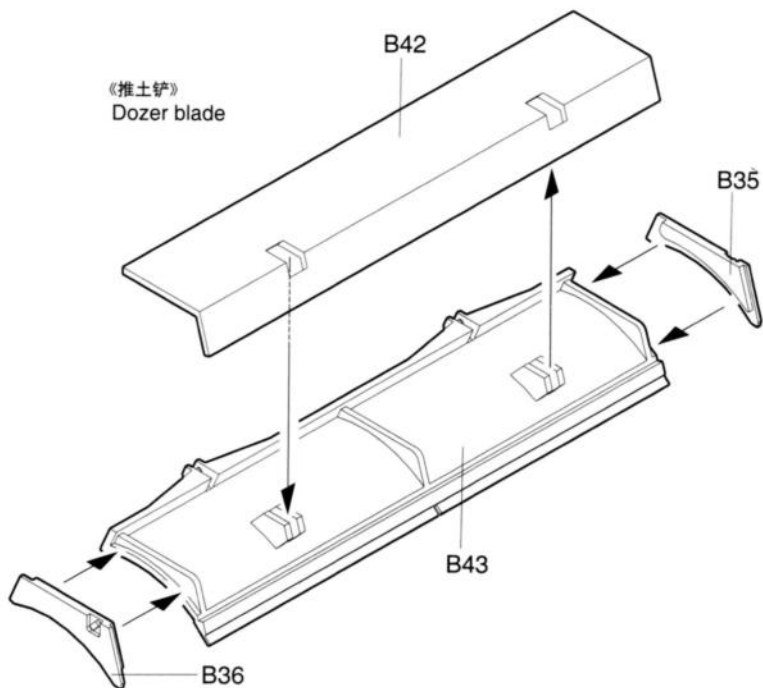
17 车面组装 V
Upper hull assembly v



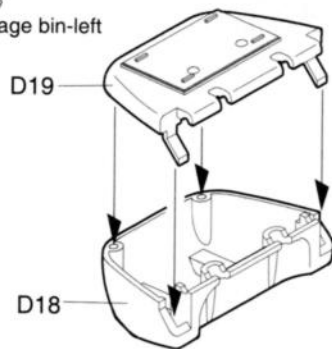
18 车体上部安装
Upper hull installation



19 车体组件组装 I
Discreteness assembly I



《左侧杂物箱》
Rear storage bin-left

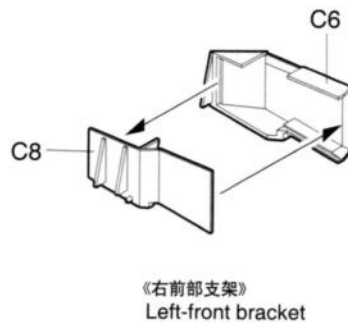
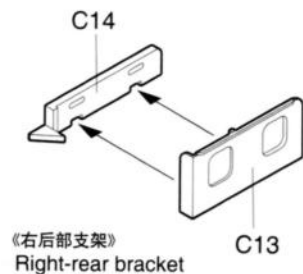
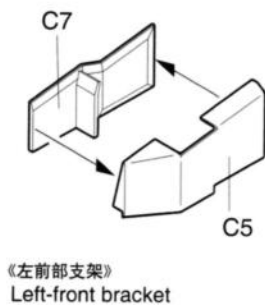
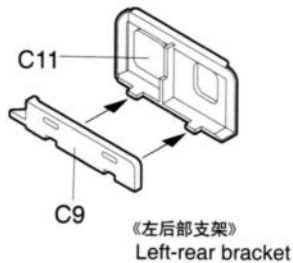
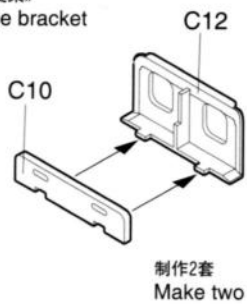


《右侧杂物箱》
Rear storage bin-right



20 车体组件组装 II
Discreteness assembly II

《中部支架》
Middle bracket



21 天线制作
How to make antenna

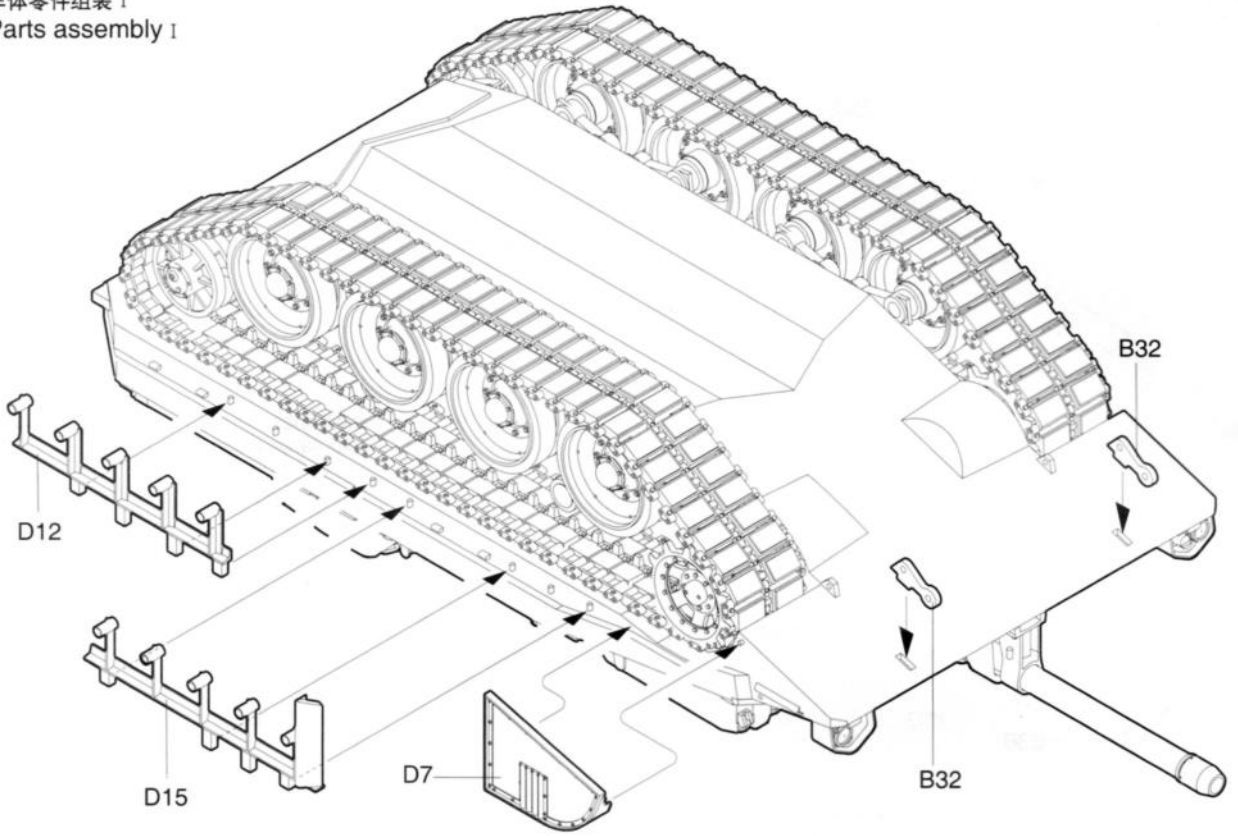
《天线制作》 How to make antenna



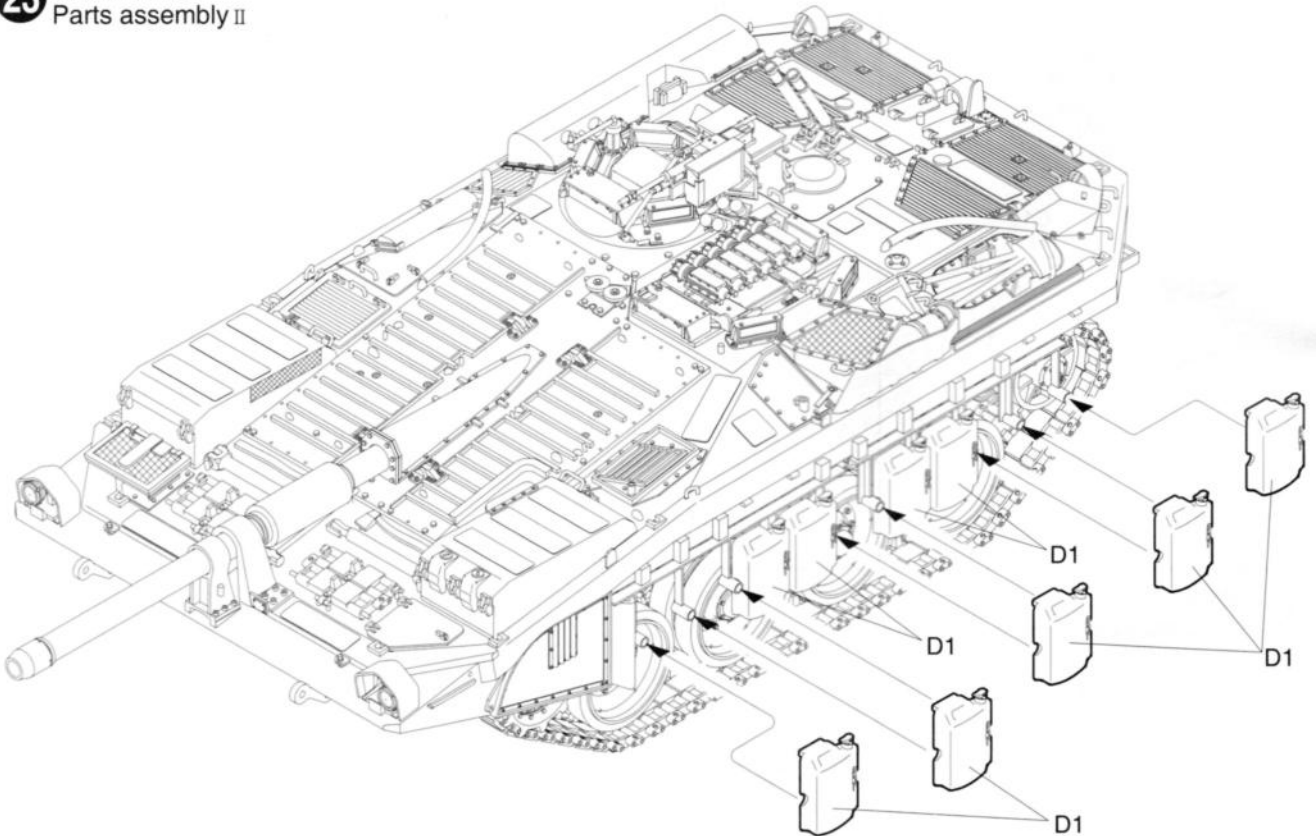
★加热浇口，拉线冷却，冷却后剪成所需长度。
Heat sprue as shown, remove from flame and stretch allow to cool and cut to required length.

制作2套
Make two

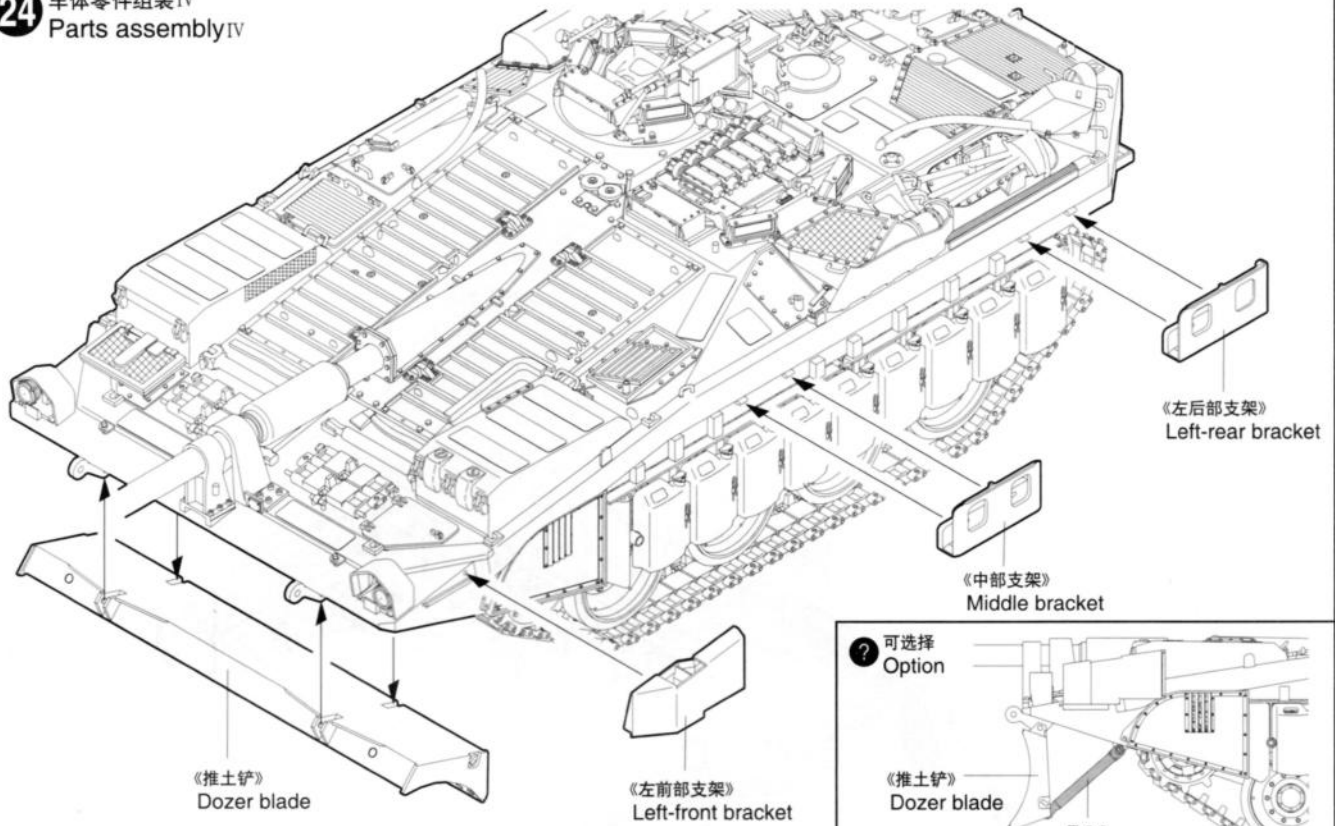
22 车体零件组装 I
Parts assembly I



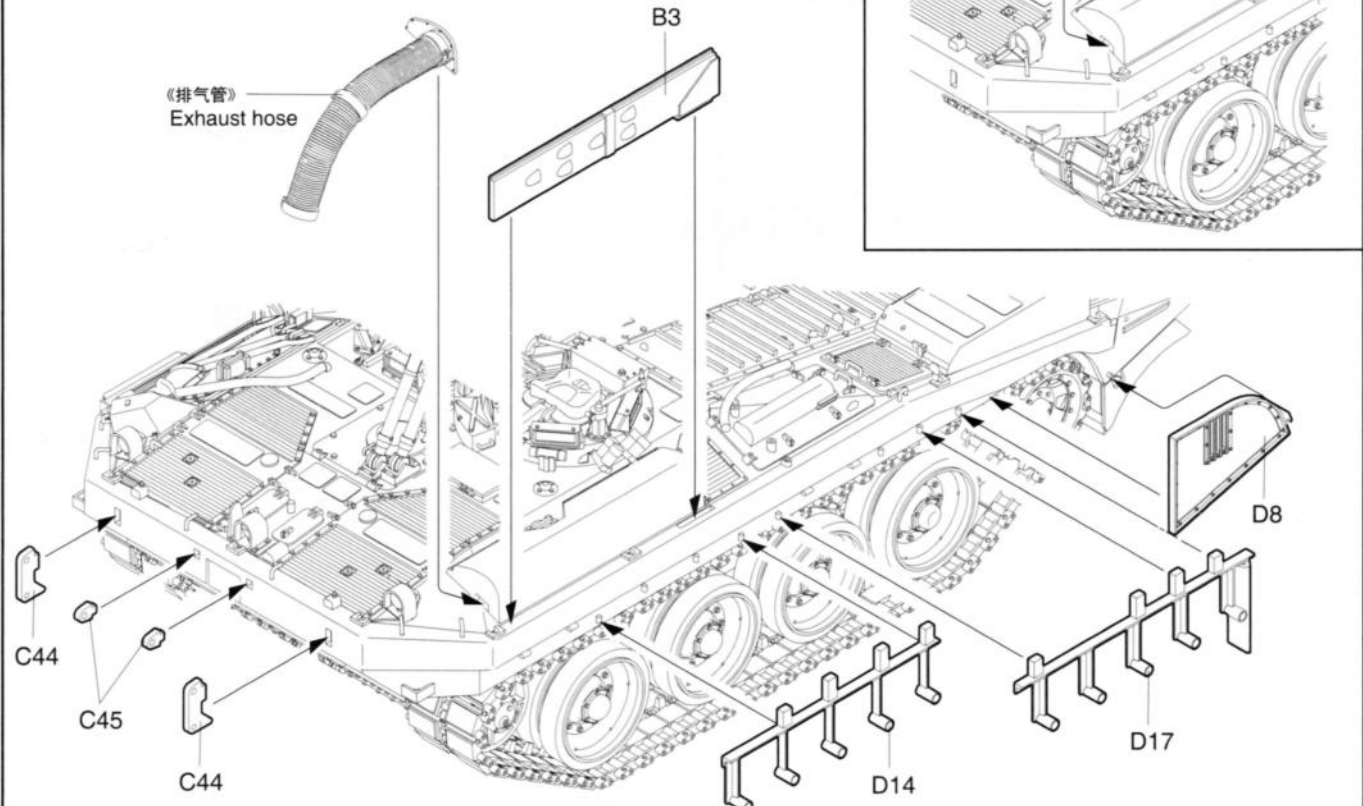
23 车体零件组装 II
Parts assembly II



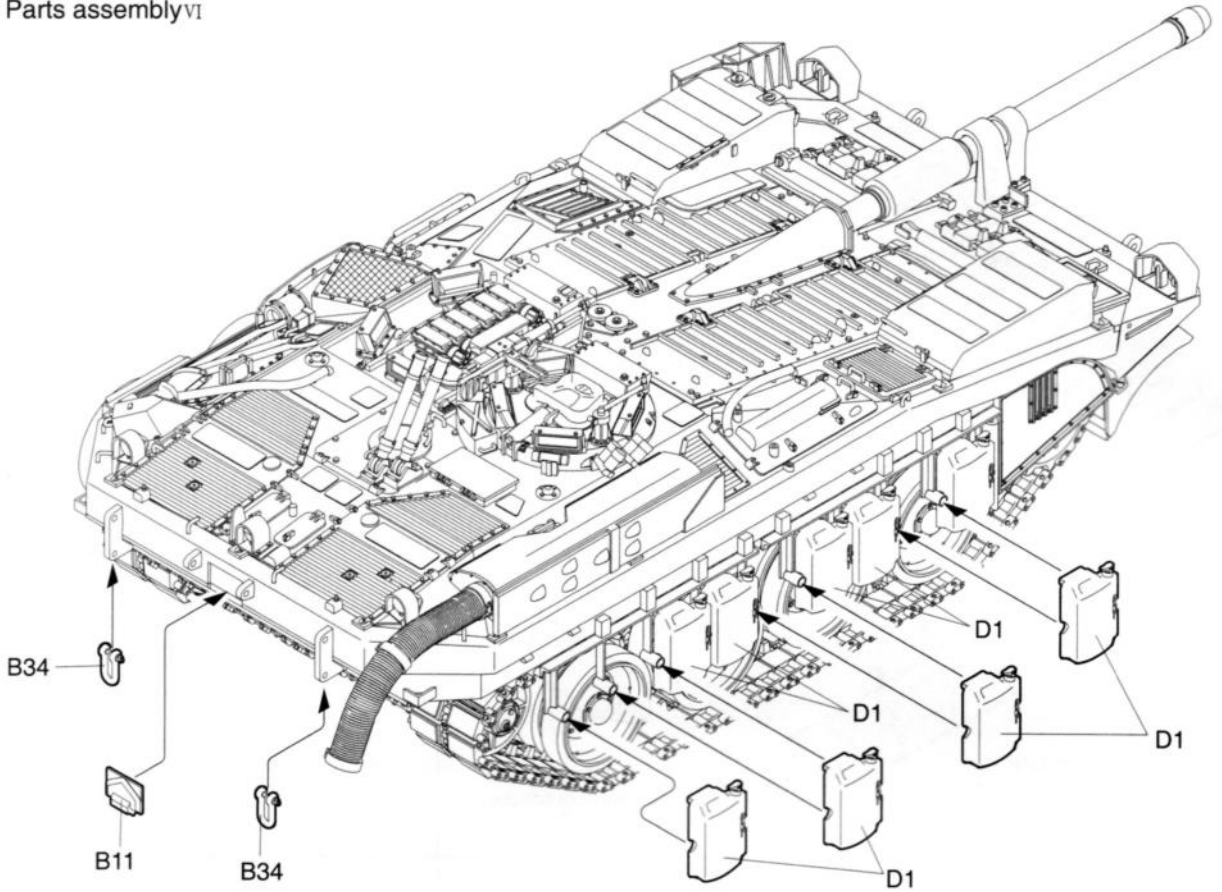
24 车体零件组装IV
Parts assembly IV



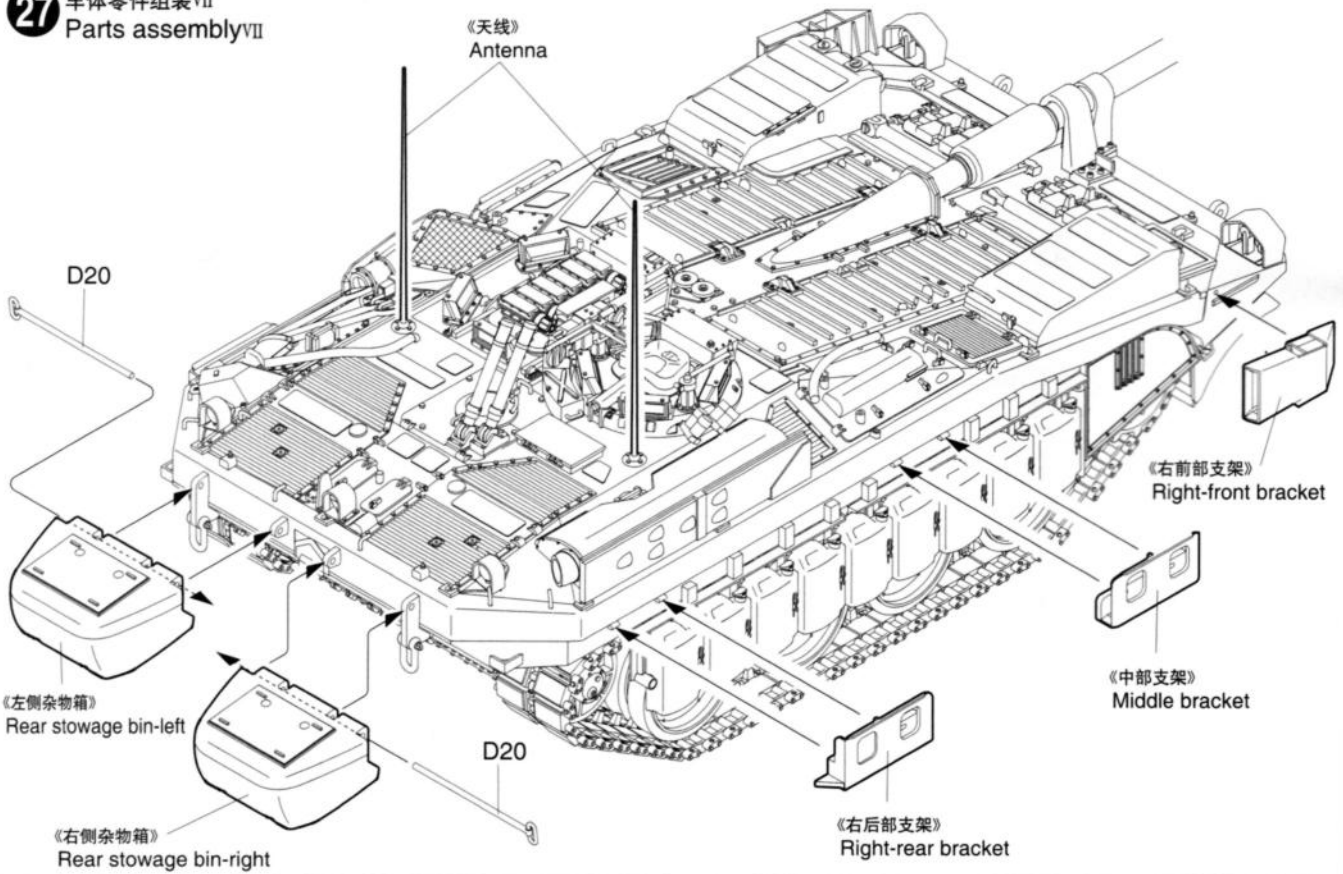
25 车体零件组装V
Parts assembly V



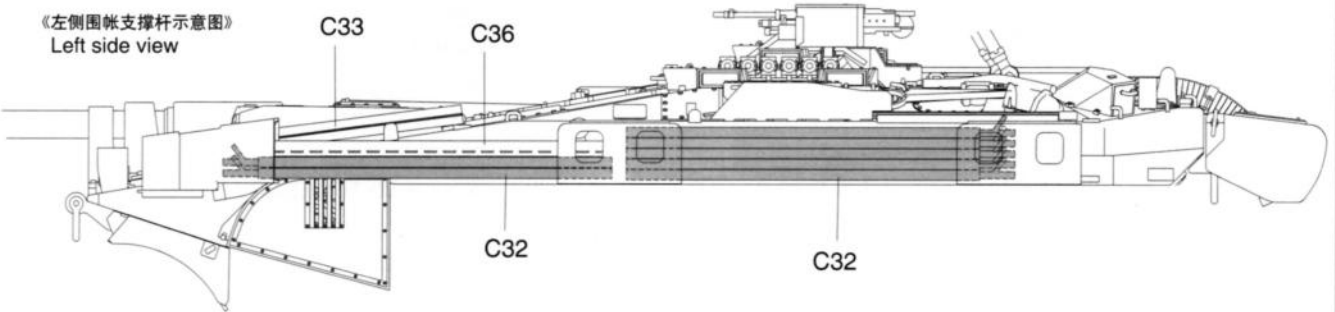
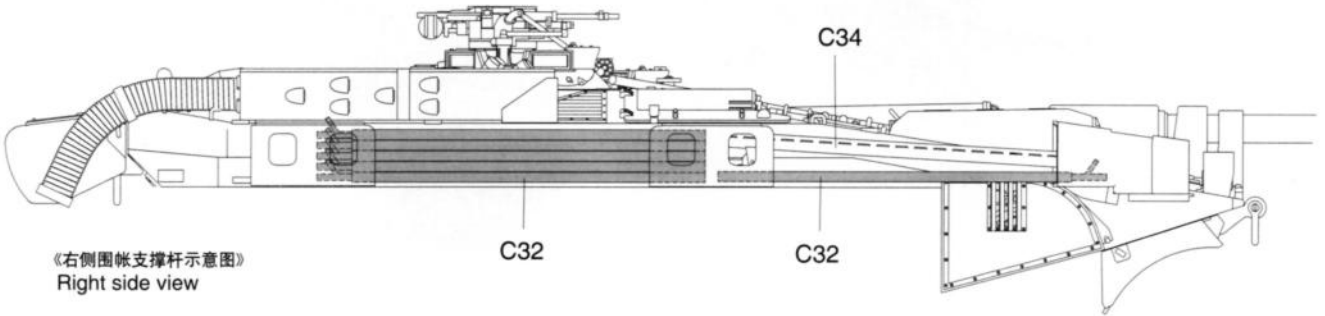
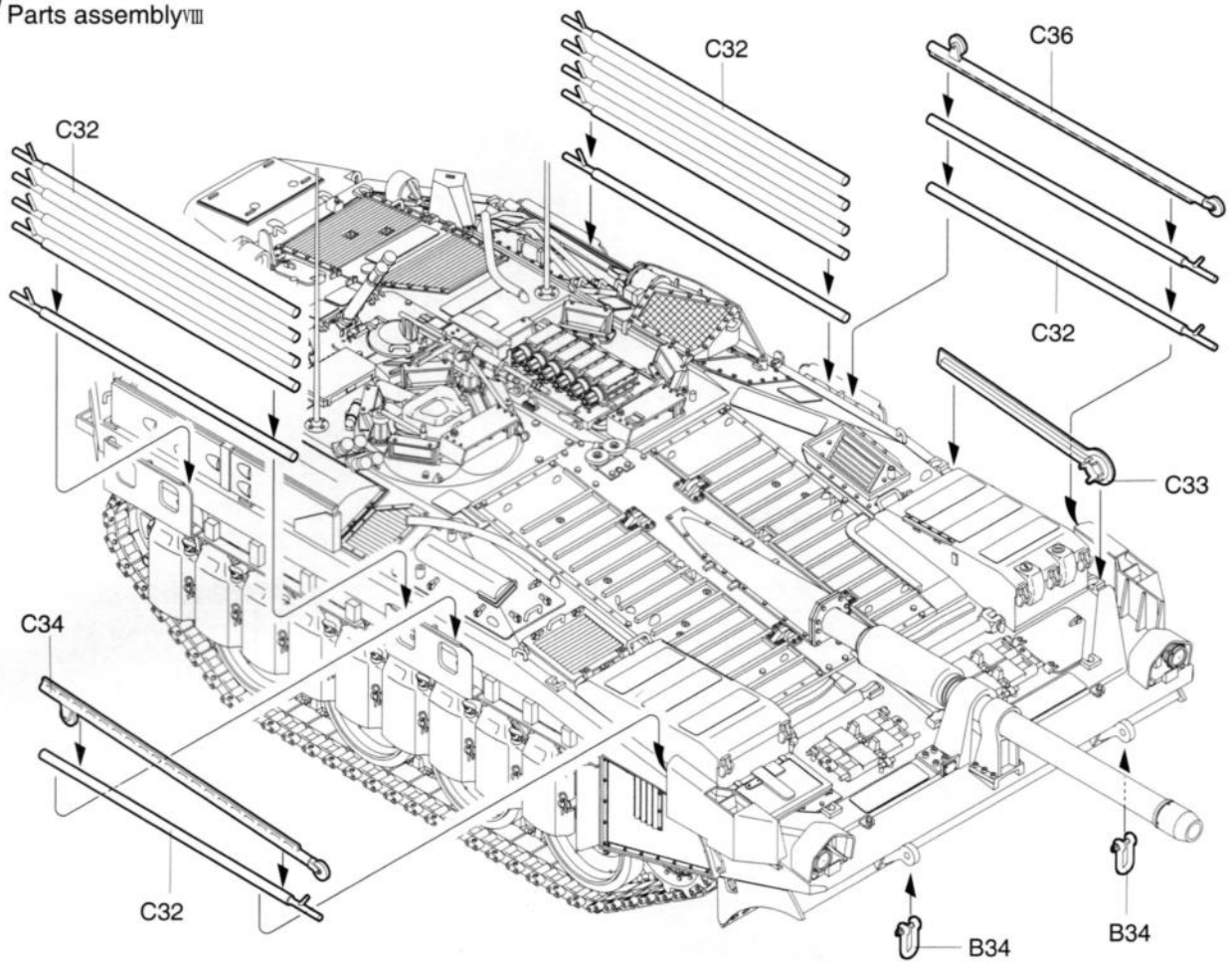
26 车体零件组装VI
Parts assembly VI



27 车体零件组装VII
Parts assembly VII



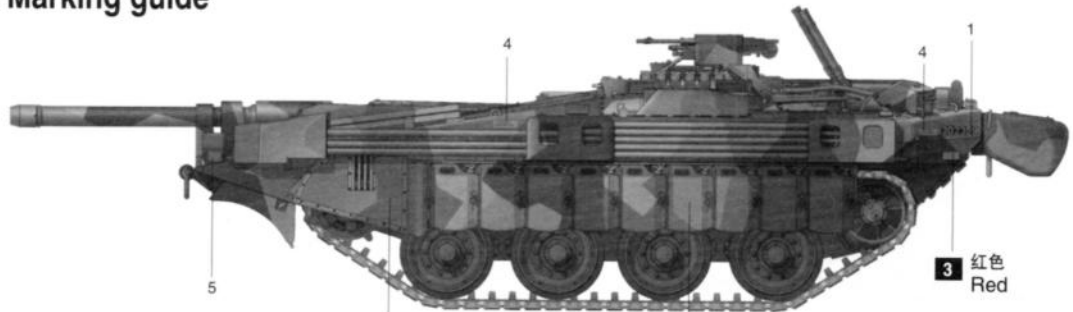
28 车体零件组装Ⅷ
Parts assemblyⅧ



涂装同标贴指示 Painting & Marking guide

郡仕色使用

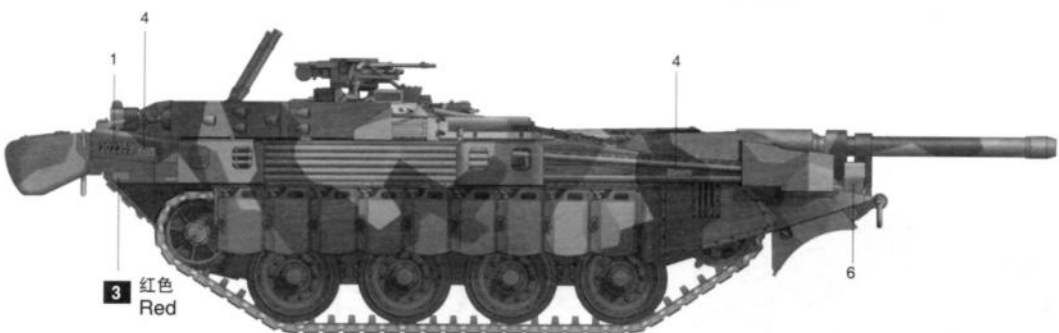
Gunze Mr. color used



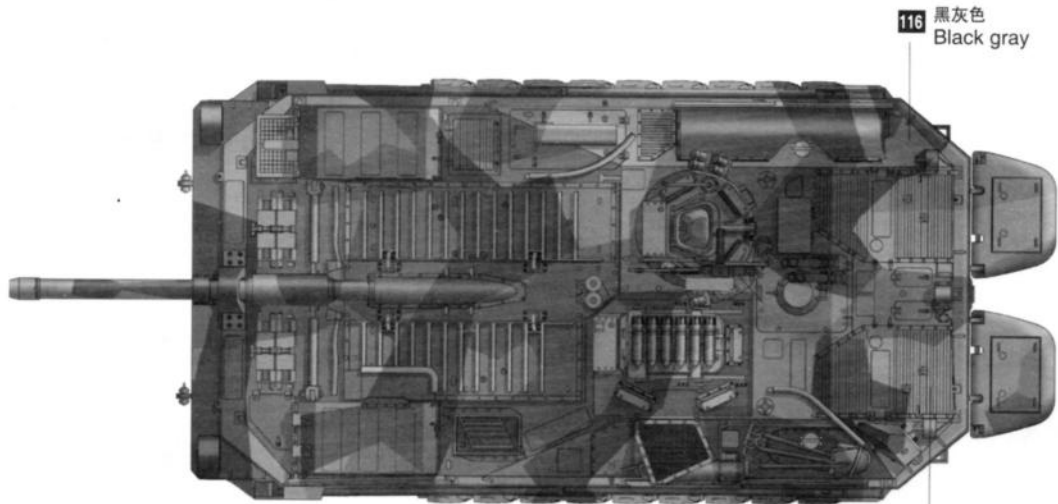
15 暗绿色
Dark green

19 沙棕色
Sand brown

3 红色
Red

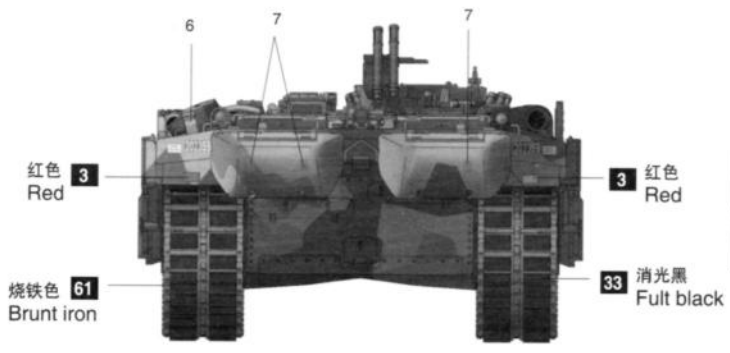


3 红色
Red



116 黑灰色
Black gray

122 浅绿色
Light green



3 红色
Red

61 烧铁色
Brunt iron

3 红色
Red

33 消光黑
Fult black

