

eduard



Naši se vracují

STAVEBNÍ NÁVOD
INSTRUCTION SHEET

2120_NAV1

ATTENTION



UPOZORNĚNÍ



ACHTUNG



ATTENTION



注意



Carefully read instruction sheet before assembling. When you use glue or paint, do not use near open flame and use in well ventilated room. Keep out of reach of small children. Children must not be allowed to suck any part, or pull vinyl bag over the head.



Před započítím stavby si pečlivě prostudujte stavební návod. Při používání barev a lepidel pracujte v dobře větrané místnosti. Lepidla ani barvy nepoužívejte v blízkosti otevřeného ohně. Model není určen malým dětem, mohlo by dojít k požití drobných dílů.

INSTRUCTION SIGNS

* INSTR. SYMBOLS

* INSTRUKTION SINNBILDEN

* SYMBOLES

* 記号の説明

OPTIONAL
VOLBABEND
OHNOUTOPEN HOLE
VYVRTAT OTVORSYMMETRICAL ASSEMBLY
SYMETRICKÁ MONTÁŽREMOVE
ODŘÍZNOUTREVERSE SIDE
OTOČITAPPLY EDUARD MASK
AND PAINT
POUŽÍT EDUARD MASK
NABARVIT

PARTS



DÍLY



TEILE



PIÈCES

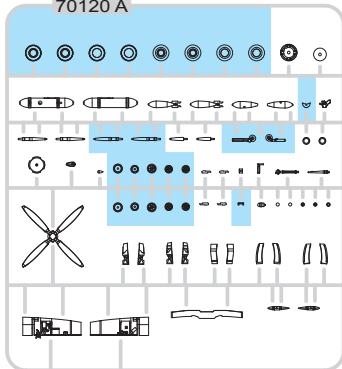


部品

PLASTIC PARTS

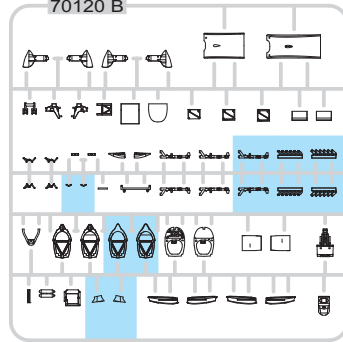
A> 3 pcs.

70120 A



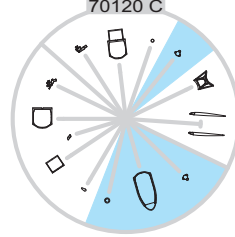
B> 3 pcs.

70120 B



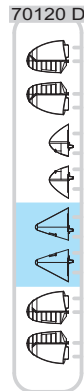
C> 3 pcs.

70120 C



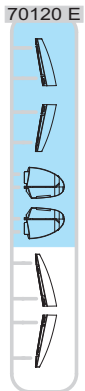
D> 3 pcs.

70120 D



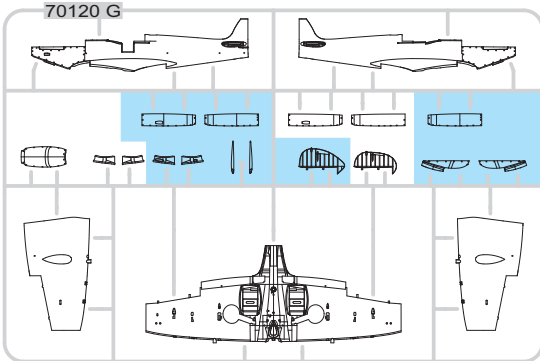
E> 3 pcs.

70120 E



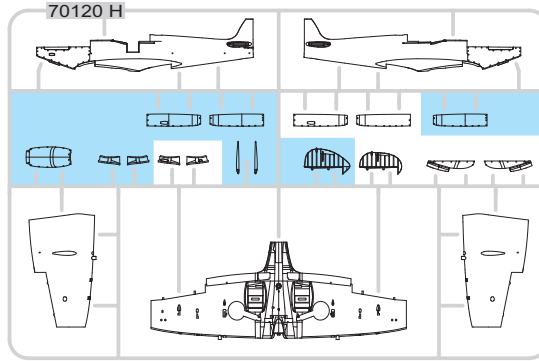
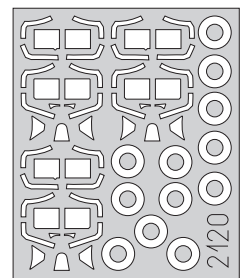
G>

70120 G



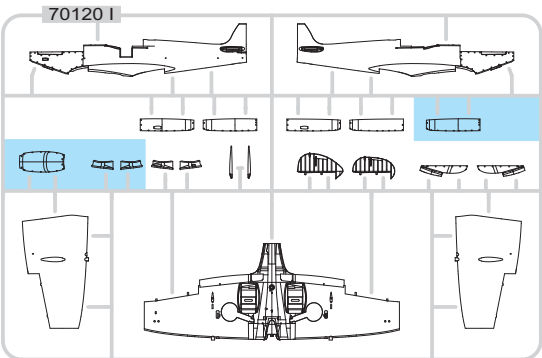
H>

70120 H

eduard
MASK

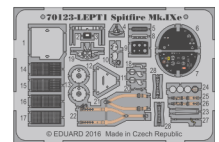
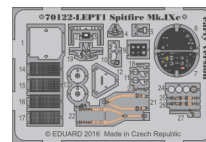
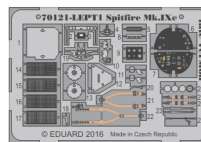
I>

70120 I



-Parts not for use. -Teile werden nicht verwendet. -Pièces à ne pas utiliser. -Tyto díly nepoužívejte při stavbě. - 使用しない部品

PE - PHOTO ETCHED DETAIL PARTS

eduard
BRASSIN

RP - RESIN PARTS

R1



2 pcs.

R2



2 pcs.

R5



R6



R9



3 pcs.

R30



2 pcs.

R31



2 pcs.

R32



2 pcs.

R33



COLOURS



BARVY



FARBEN



PEINTURE



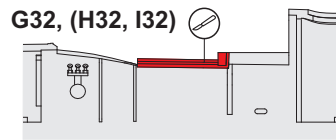
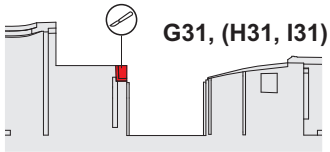
色

GSI Creos (GUNZE)		
AQUEOUS	Mr.COLOR	
H3	C3	FLAT RED
H4	C4	YELLOW
H11	C62	FLAT WHITE
H12	C33	FLAT BLACK
H15	C65	BRIGHT BLUE
H33	C81	RUSSET
H51	C11	LIGHT GULL GRAY
H52	C12	OLIVE DRAB

AQUEOUS	Mr.COLOR	
H64	C17	DARK GREEN RLM71
H72	C369	DARK EARTH
H74	C368	SKY
H77	C137	TIRE BLACK
H90	C47	CLEAR RED
H94	C138	CLEAR GREEN
H326	C326	BLUE
H327	C327	RED
H328	C328	BLUE

AQUEOUS	Mr.COLOR	
H330	C361	DARK GREEN
H335	C363	MEDIUM SEA GRAY
	C362	OCEAN GRAY
	C364	AIRCRAFT GRAY-GREEN
Mr.COLOR SUPER METALLIC		
	SM06	CHROME SILVER
Mr.METAL COLOR		
	MC214	DARK IRON
	MC218	ALUMINIUM

? FOR CLOSED CANOPY ONLY



MARKINGS
1 - 5, 16, 17, 20
ONLY

G8, 18 - MARKINGS
1 - 5, 16, 20
ONLY

G8, 18



G10, H10, I10

G32 (H32, I32)

C364
ARCSOFT
GRAY-GREEN

MC218
ALUMINIUM

HT2
C33
FLAT BLACK

A32

B37

MARKINGS
1 - 5, 16, 17, 20
ONLY

MC218
ALUMINIUM

D

G31 (H31, I31)

B8

B9

A6

G31 (H31, I31)

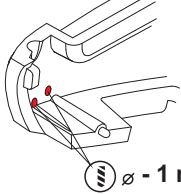
C364
ARCSOFT
GRAY-GREEN

MC218
ALUMINIUM

PE3

MARKINGS 1 - 5, 16
ONLY

G32



G7, 17 - MARKINGS
1 - 5, 16, 20
ONLY

G7, 17



G9, H9, I9

A41 ? A43

A43 - MARKINGS
18, 19, 21-39
ONLY

A44

A40 ? A42

A42 - MARKINGS
18, 19, 21-39
ONLY

MARKINGS
8, 18, 21, 23, 25, 27, 29,
30, 32, 33, 34, 36-39
ONLY

$\varnothing - 0,8 \text{ mm}$

G34 - MARKINGS 1 - 5, 16, 17, 20
H34 - MARKINGS 6, 7, 9-15
I34 - MARKINGS 8, 18, 19, 21-39

G34 ? H34 ? I34

for ext. fuel tank
(parts B12 or B15)

$\varnothing - 0,8 \text{ mm}$

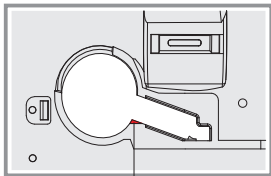
for ext. fuel tank
(subassembly I)

$\varnothing - 0,8 \text{ mm}$

$\varnothing - 0,8 \text{ mm}$

MARKINGS
8, 18, 21, 23, 25, 27, 29,
30, 32, 33, 34, 36-39
ONLY

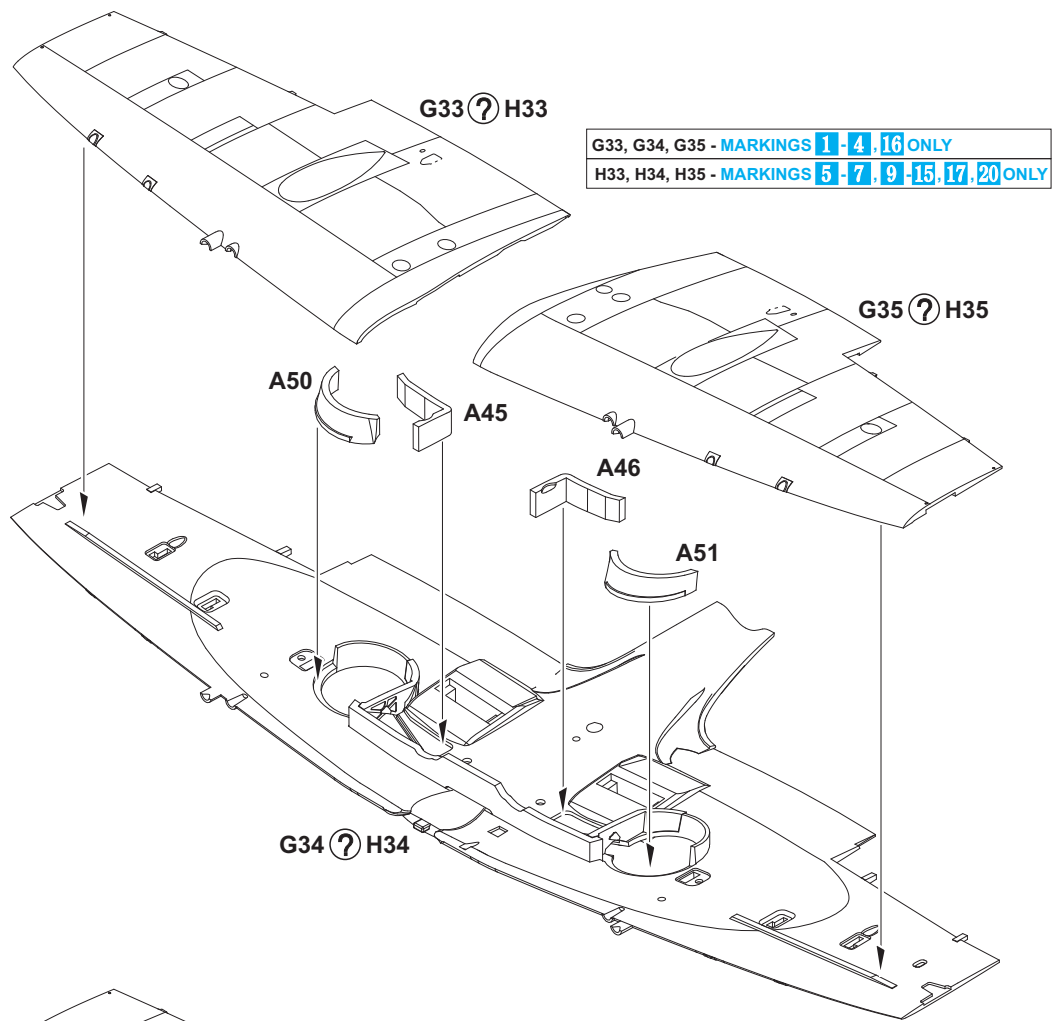
I34



MARKINGS 18, 19, 21-39
ONLY

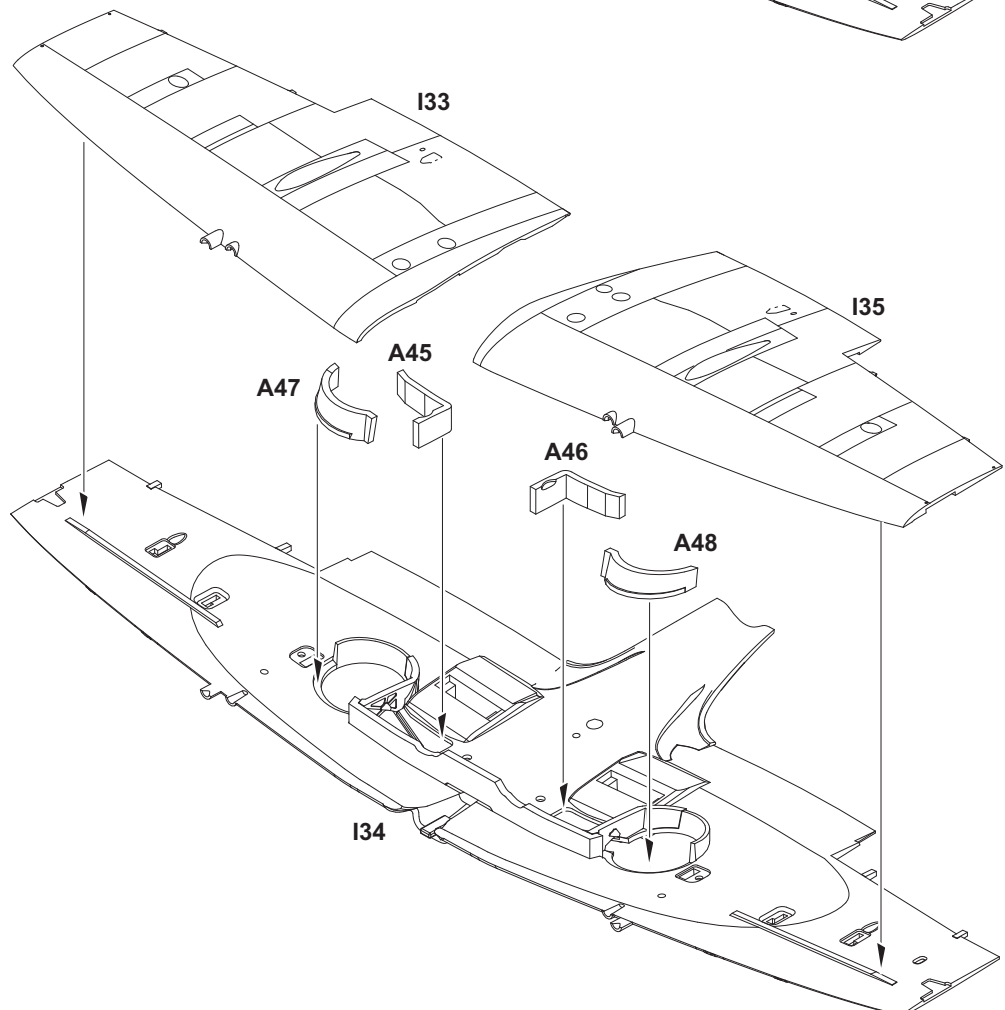
C-type wing

MARKINGS 1, 7, 9, 17, 20



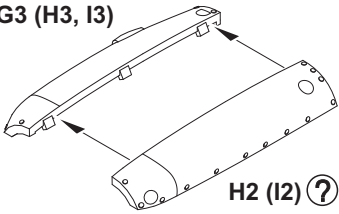
E-type wing

MARKINGS 8, 18, 19, 21-39



H1 (I1), H2 (I2) - MARKINGS 7, 8, 11, 15, 18, 19, 21, 39 ONLY

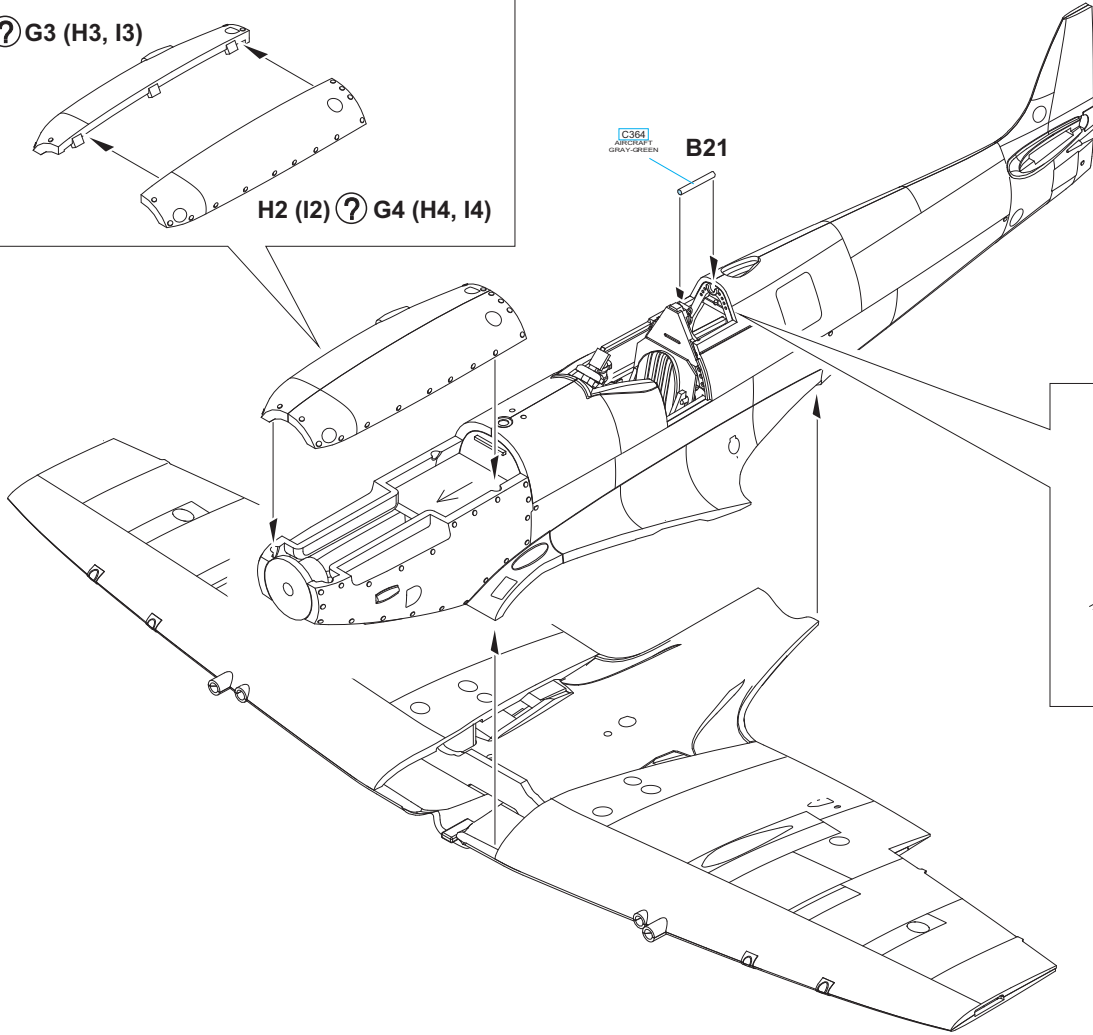
H1 (I1) ? G3 (H3, I3)



H2 (I2) ? G4 (H4, I4)

C364
AIRCRAFT
GRAY-GREEN

B21



B21

B37

C7 ? I12 - MARKINGS 18, 21, 25, 27, 35, 37, 39 ONLY

C7 ? I12

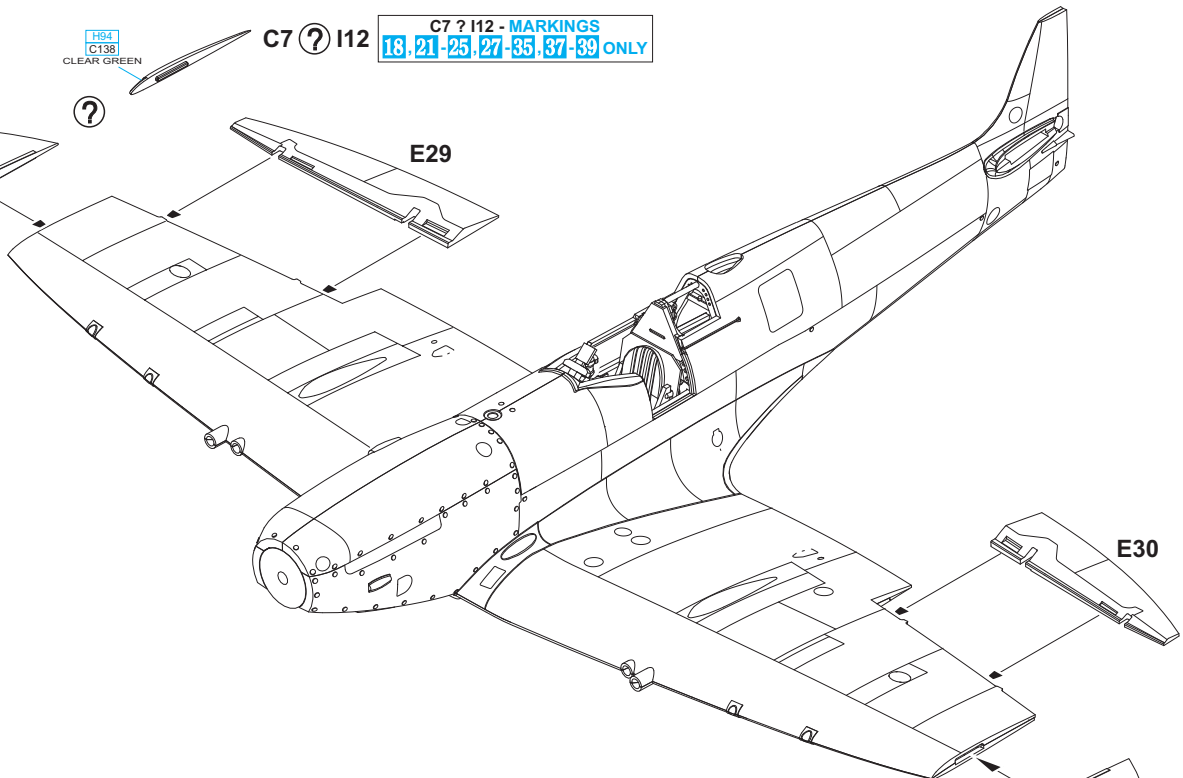
H84
C138
CLEAR GREEN

?

D19

E29

H84
C138
CLEAR GREEN



E30

C6 ? I11 - MARKINGS 18, 21, 25, 27, 35, 37, 39 ONLY

C6 ? I11

H80
C47
CLEAR RED

?

D20

H80
C47
CLEAR RED

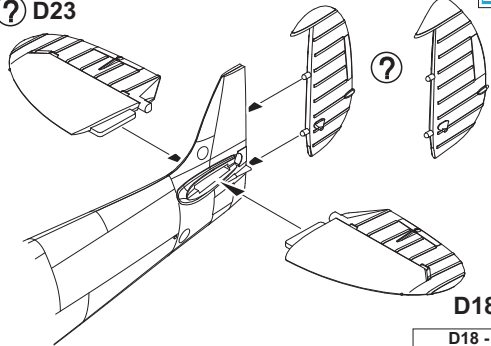
D17 - MARKINGS
1, 5, 16, 17, 20 ONLY

D17 ? D23

G14 (H14, I14)

I13

I13 - MARKINGS 7, 11, 12,
21, 24, 26, 31, 33, 39 ONLY

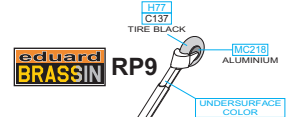


D18 ? D24

D18 - MARKINGS
1, 5, 16, 17, 20 ONLY

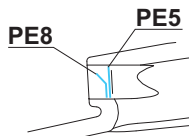
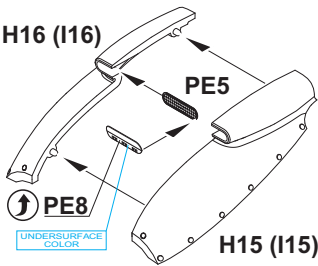
wire - MARKINGS
1, 5, 16 ONLY

? wire



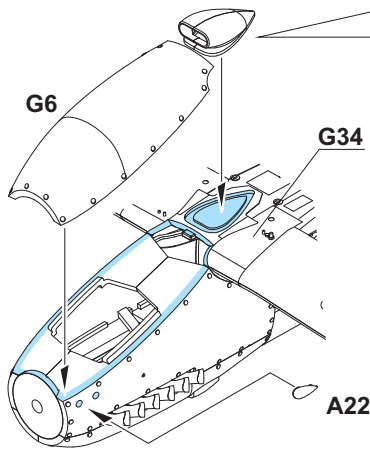
wire ?

H16 (I16)



H15 (I15), H16 (I16)

MARKINGS 1, 5, 16, 17, 20 ONLY



B23

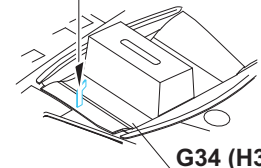


B22

E

PE18

UNDERSURFACE COLOR



G34 (H34, I34)

B51

UNDERSURFACE COLOR

B35

UNDERSURFACE COLOR

B50

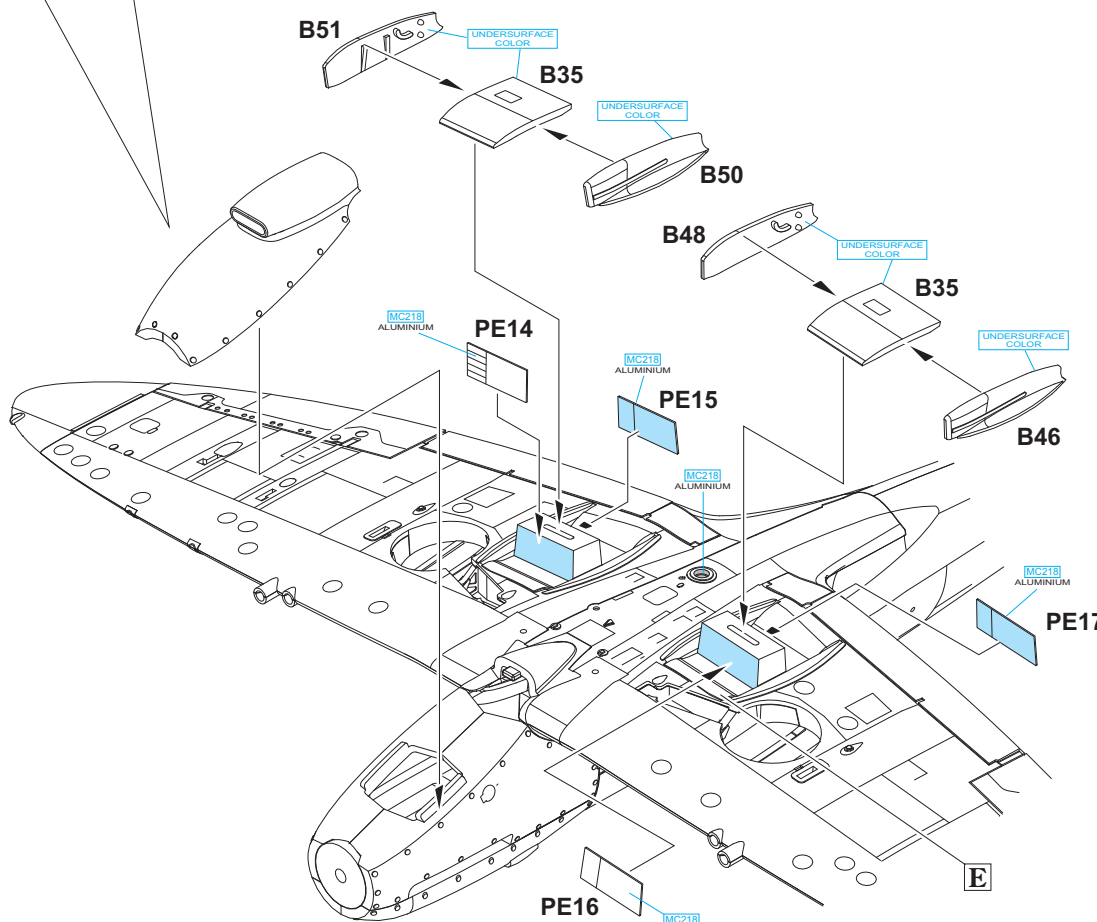
B48

UNDERSURFACE COLOR

B35

UNDERSURFACE COLOR

B46

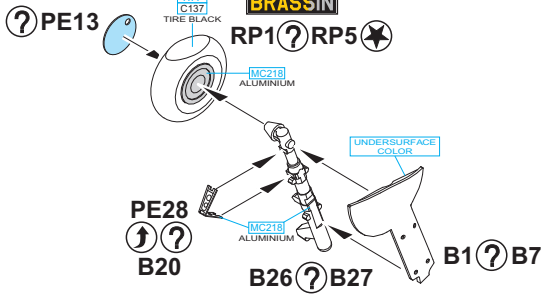


PE16

MC218 ALUMINIUM

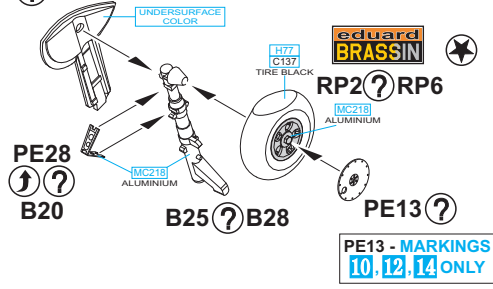
E

PE13 - MARKINGS
10, 12, 14 ONLY

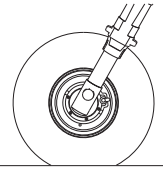


B7, B27, B20 ? PE28 - MARKINGS 18, 19, 21-39 ONLY

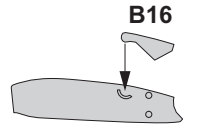
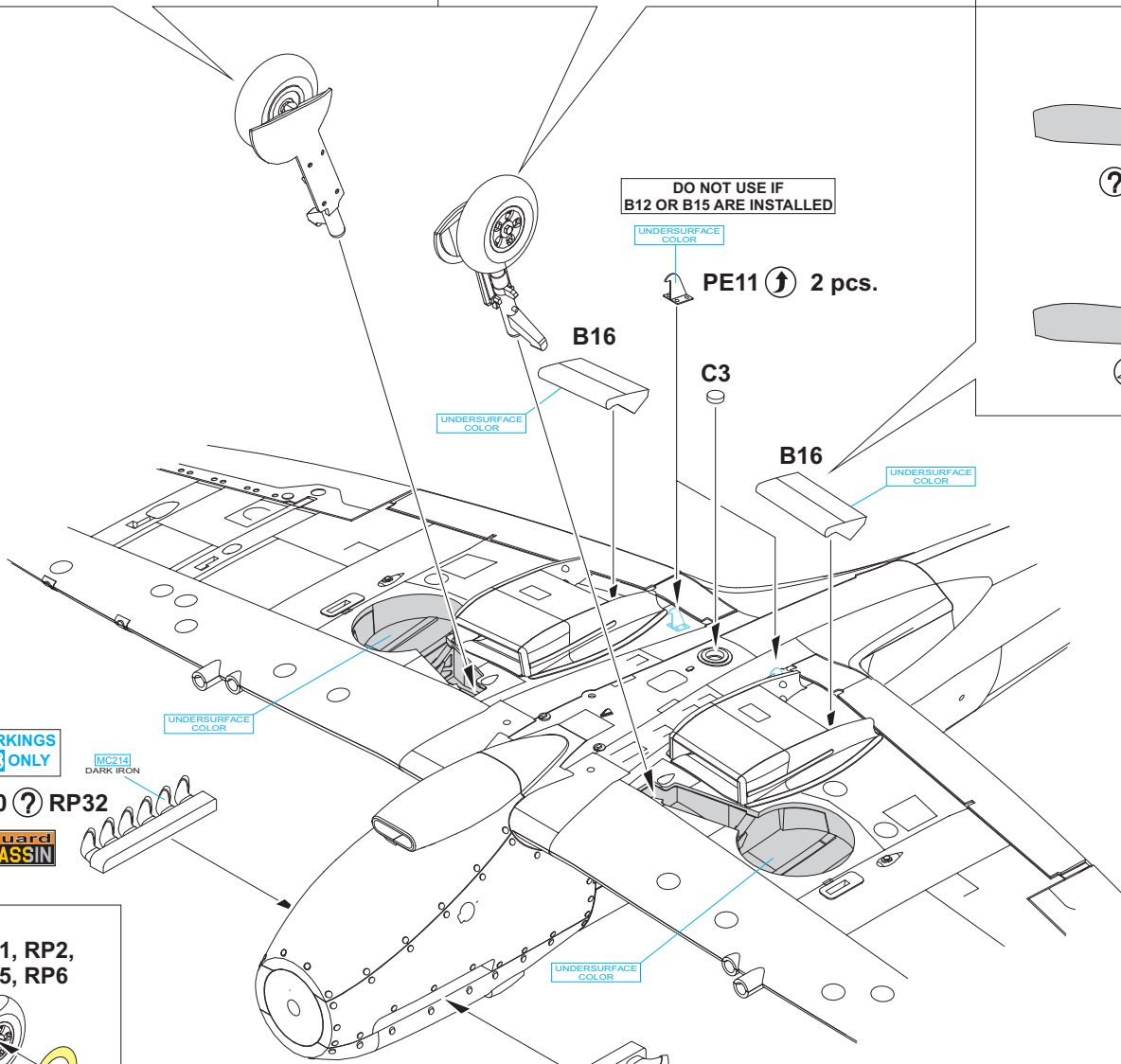
B5 ? B10



B10, B20 ? PE28, B28 - MARKINGS 18, 19, 21-39 ONLY

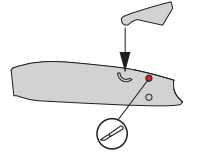


CORRECT POSITION OF WHEELS

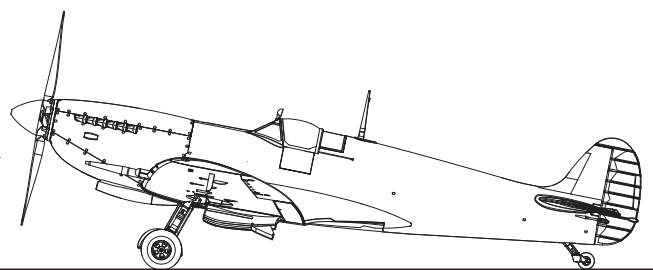
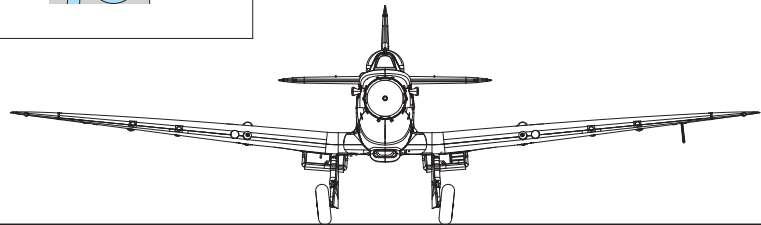
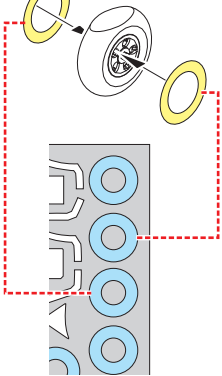


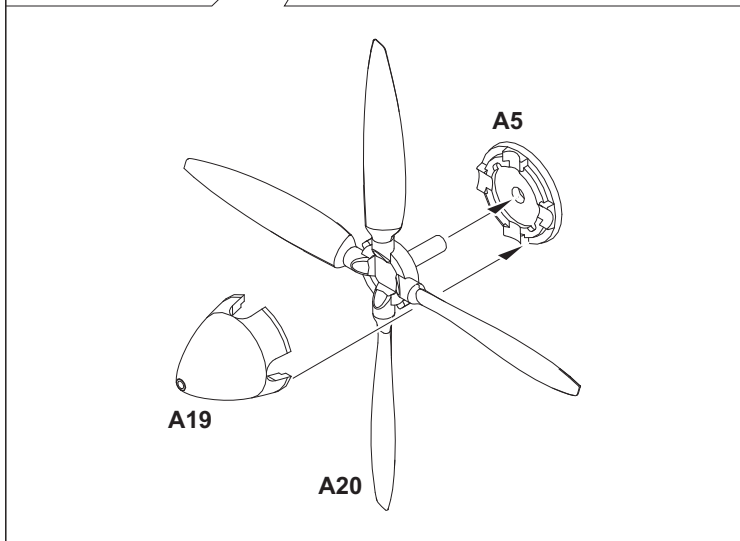
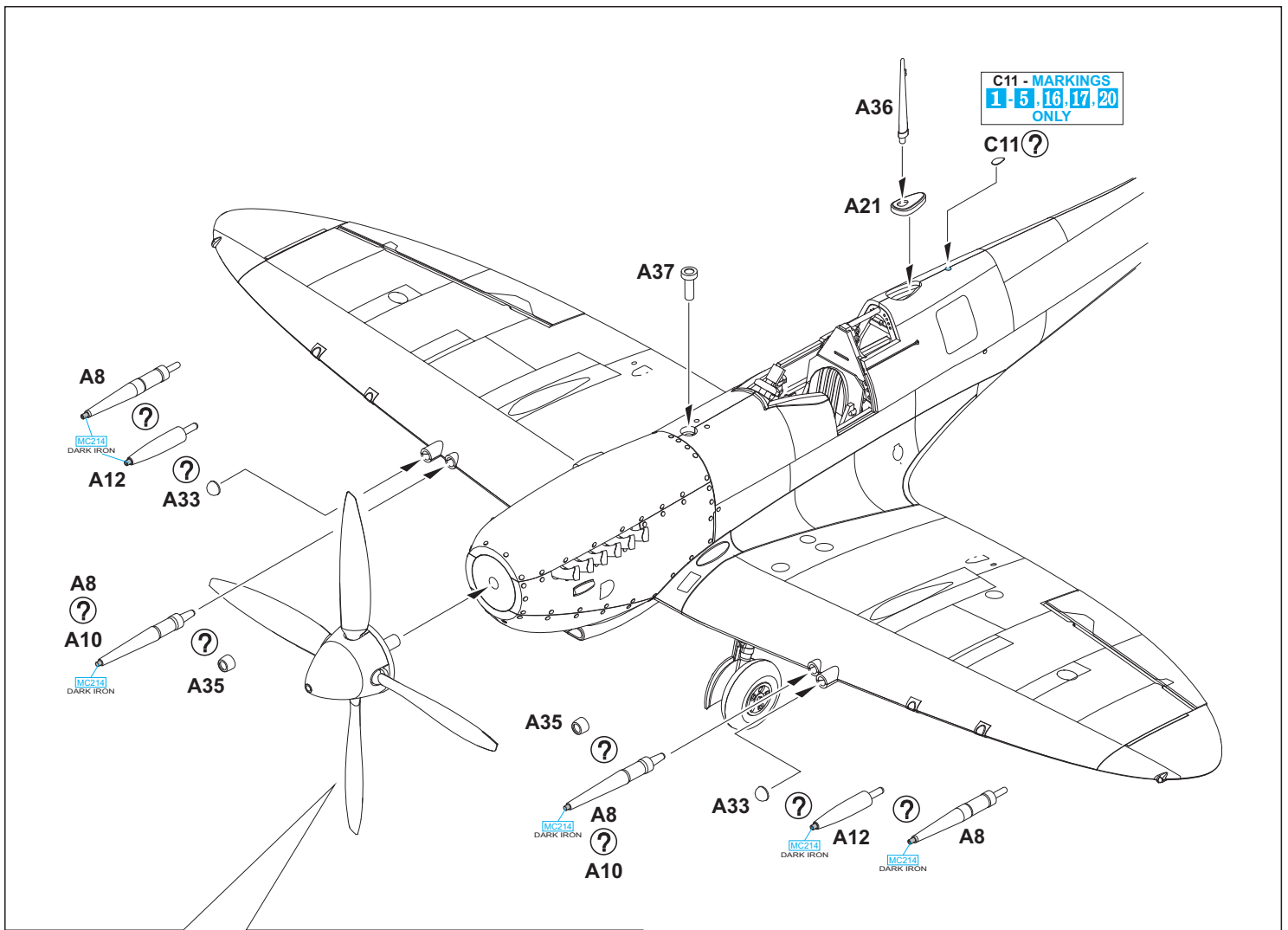
?

B16

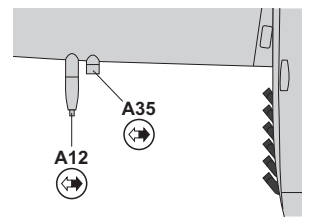


RP1, RP2, RP5, RP6

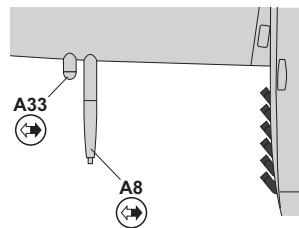




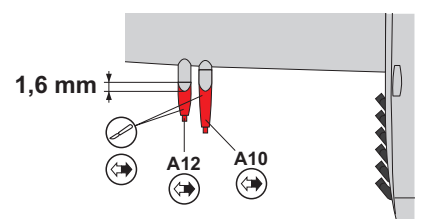
MARKINGS 8, 18, 19, 21-23, 25, 27, 33, 36, 39



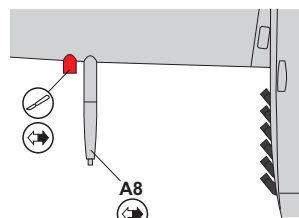
MARKINGS 1-7, 9-17



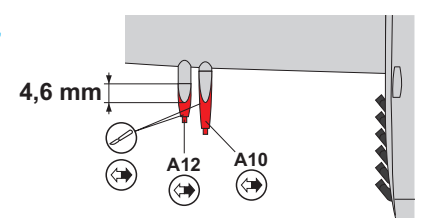
MARKINGS 24, 30, 34

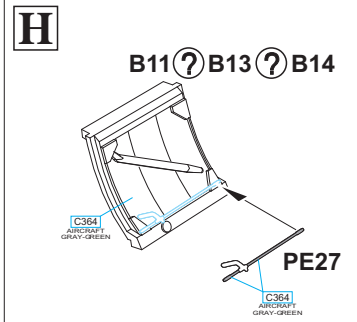
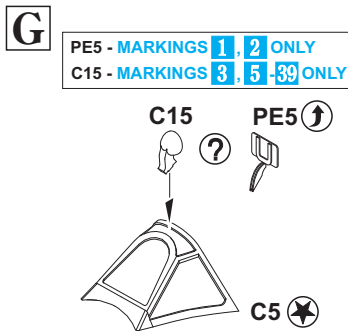
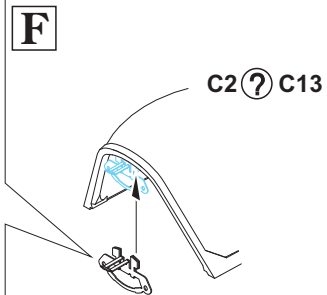
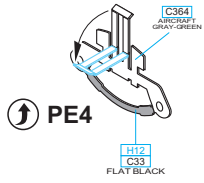
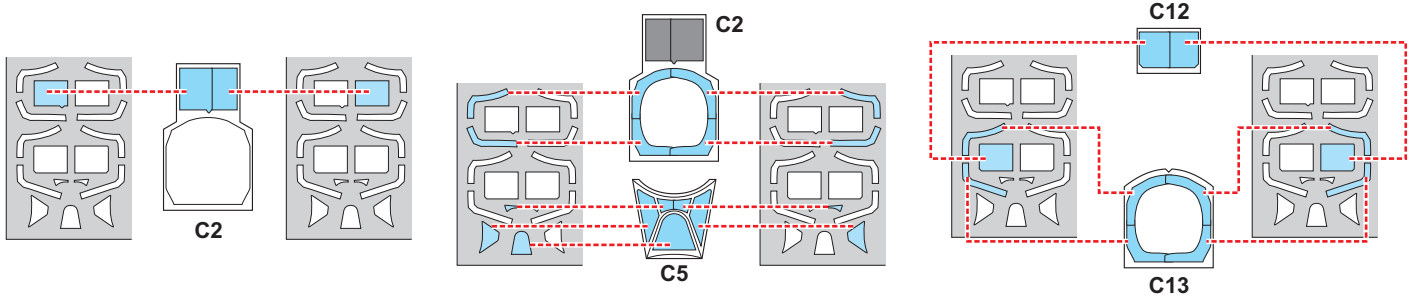


MARKING 20

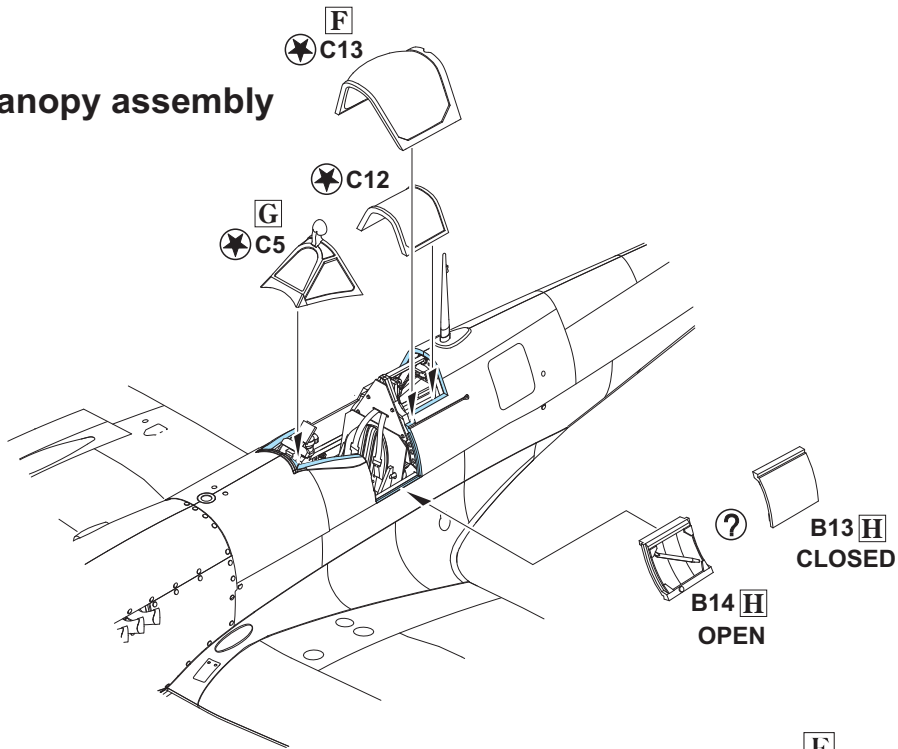


MARKINGS 26, 28, 29, 31, 32, 35, 37, 38

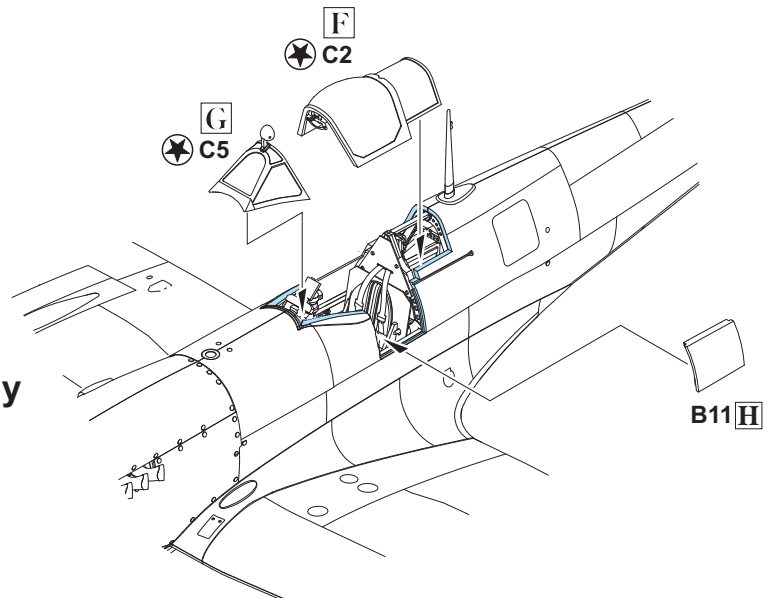




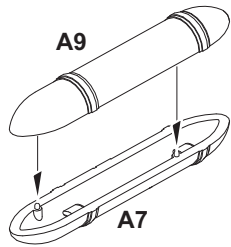
open canopy assembly



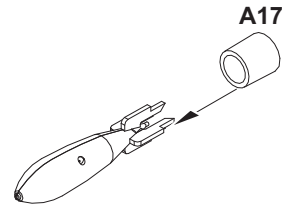
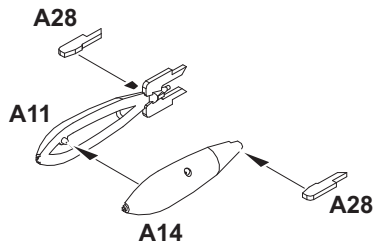
closed canopy assembly



J ?



K ?
2 pcs.



A49, B17, B18 - MARKINGS
8, 18, 21, 23, 25, 27, 29, 30 ONLY

