

German Tank Destroyer

MARDER III

1/72 SCALE



SPECIFICATION

GENERAL

CREW: 4
BATTLE WEIGHT: 11.6 tons.
GROUND PRESSURE: 9.8 lbs/sq. in.

KIT 8010

DIMENSIONS

LENGTH OVERALL: 14.9 FT
HEIGHT: 8 FT
WIDTH: 6.9 FT
WIDTH OF TRACK: 12.25 IN.
GROUND CLEARANCE: 16 IN.

ARMAMENT

ONE 7.5 cm. PAK 40, CALIBER LENGTH 46.
OEN 7.9 mm. MG. 34.

ENGINE

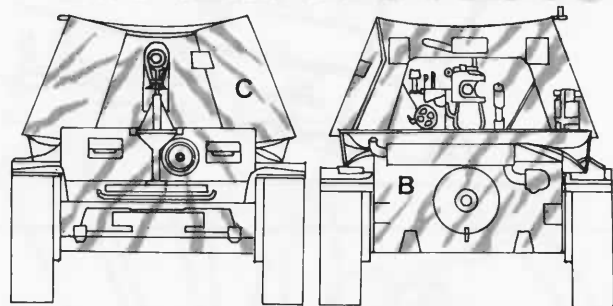
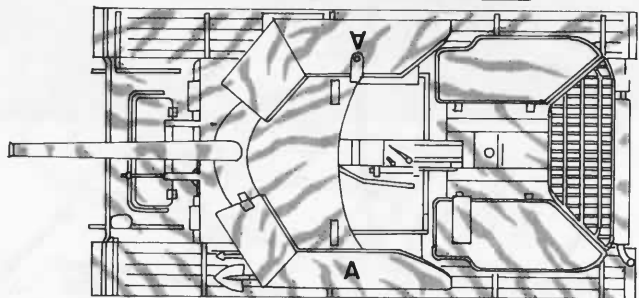
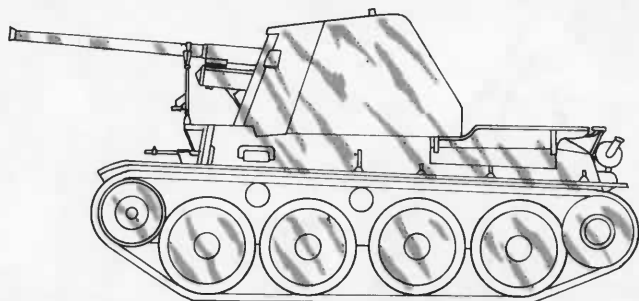
PRAGA (TYPE AC), 150 HP AT 2,600 RPM, 6 CYLINDERS,
IN LINE, GASOLINE, LIQUID-COOLED.

PERFORMANCE

SPEED: 29 MPH. ON ROADS: 11/12 MPH.
CROSS-COUNTRY
CLIMBING ABILITY: 30° (57 %) SLOPE.
TRENCH CROSSING ABILITY: 4.3 FT
FORDING DEPT: 35 IN.
FUEL CONSUMPTION: 2.1 MI/GAL. ON ROADS;
1.5 MI/GAL. CROSS-COUNTRY
FUEL CAPACITY: 58 GAL.

ARMOR
ESCI

MADE IN ITALY



ESCI
ESCI MODELLISTICA

MILANO-ITALY
KIT 8010
MARDER III

