

LOCKHEED ES-3A *SHADOW*

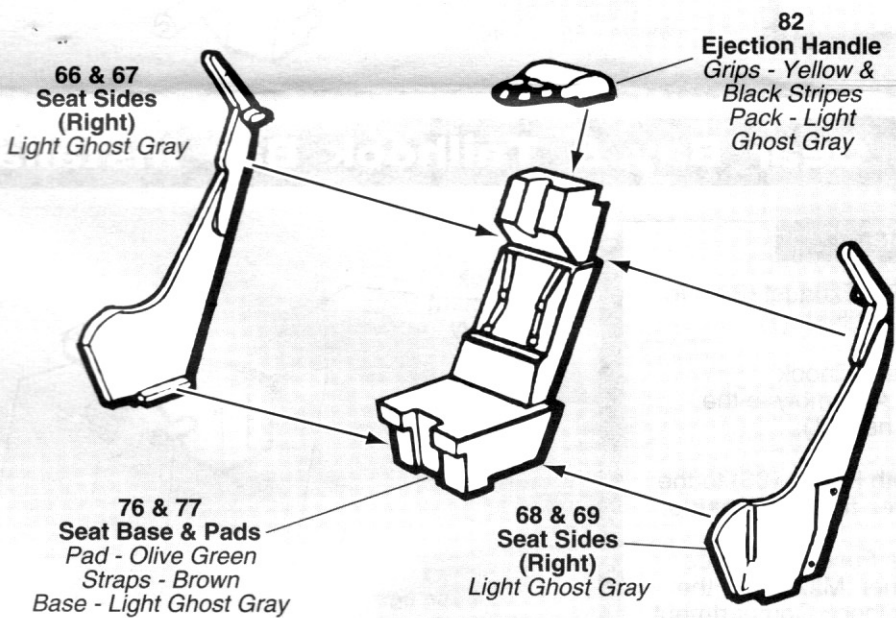


Stock No. 8750

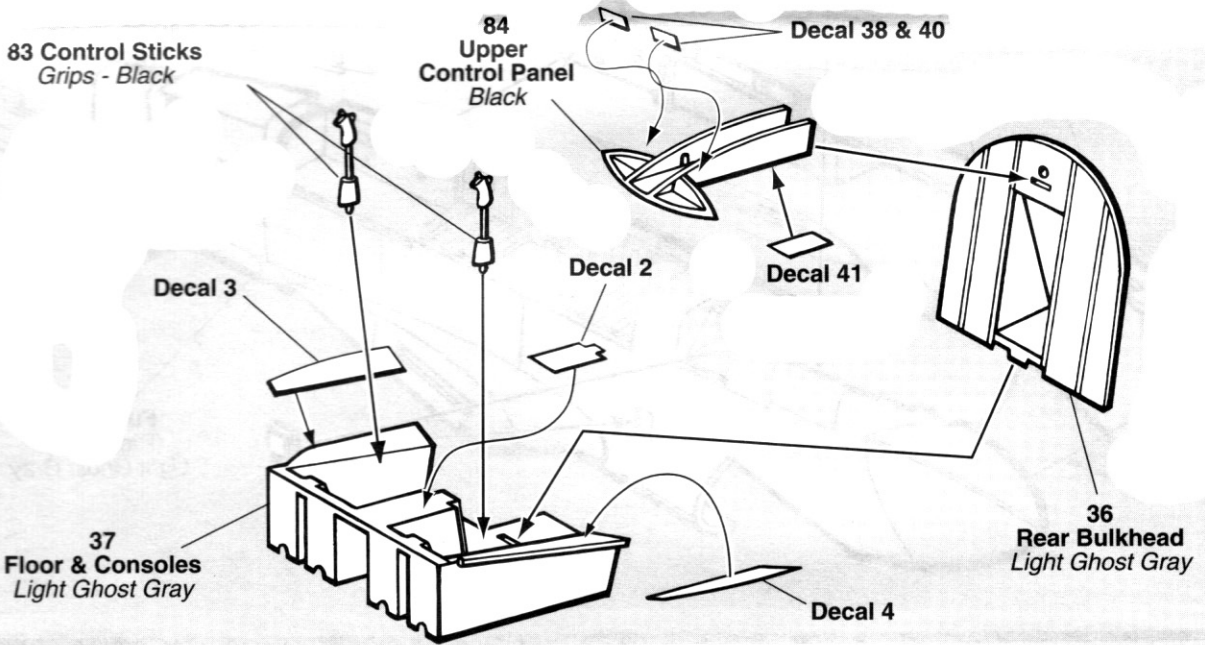
BEFORE YOU BEGIN!

Read the Supplemental Instruction Sheet that accompanies this one Before You Begin! It contains modeling tips, paint requirements, and other important information you should know before assembling your model kit.

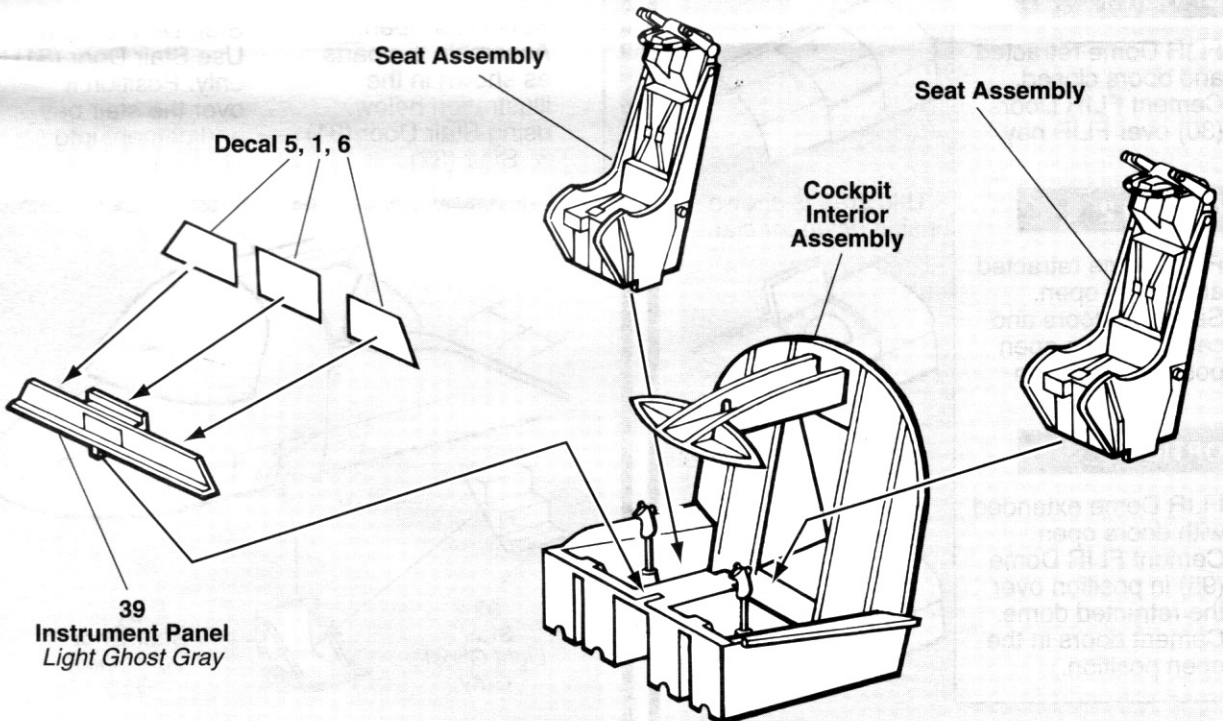
1 Seat Assembly



2 Cockpit Interior Assembly



3 Seat & Instrument Panel Installation



4 Tailhook Bay Assembly

Assembly Note: 1

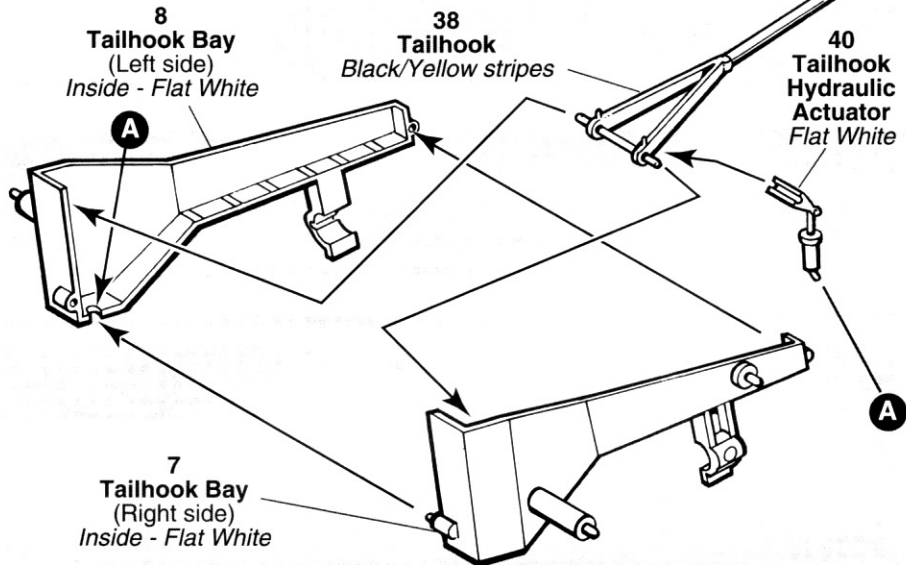
1...Cement Tailhook Hydraulic Actuator (40) to either Tailhook Bay half (7 or 8).

2...Hold the Tailhook Bay sides together and insert the Tailhook (36) in position as shown.

3...Cement Tailhook Bay sides together, maintaining the Tailhook in position.

4...The Tailhook (38) can be left free to move or it can be cemented in the desired position.

Paint Note: Paint overall exterior Light Ghost Gray FS# 36375. Finish is blotchy with darker gray patches.



5 Nose Gear Bay & Tailhook Bay Installation

Assembly Note:

1...Cement APU Exhaust (205) to the Fuselage, left half, (1).

2...Cement the Tailhook Compartment Assembly to the Fuselage, left half, (1).

4...Cement both Ports (106) to the Fuselage halves **from the inside**.

3...Cement the Fuselage halves (1 & 21) together. Make sure the pins on the Tailhook Compartment Assembly seat in the locator bosses on the Fuselage (Right half).

Tailhook
Compartment
Assembly

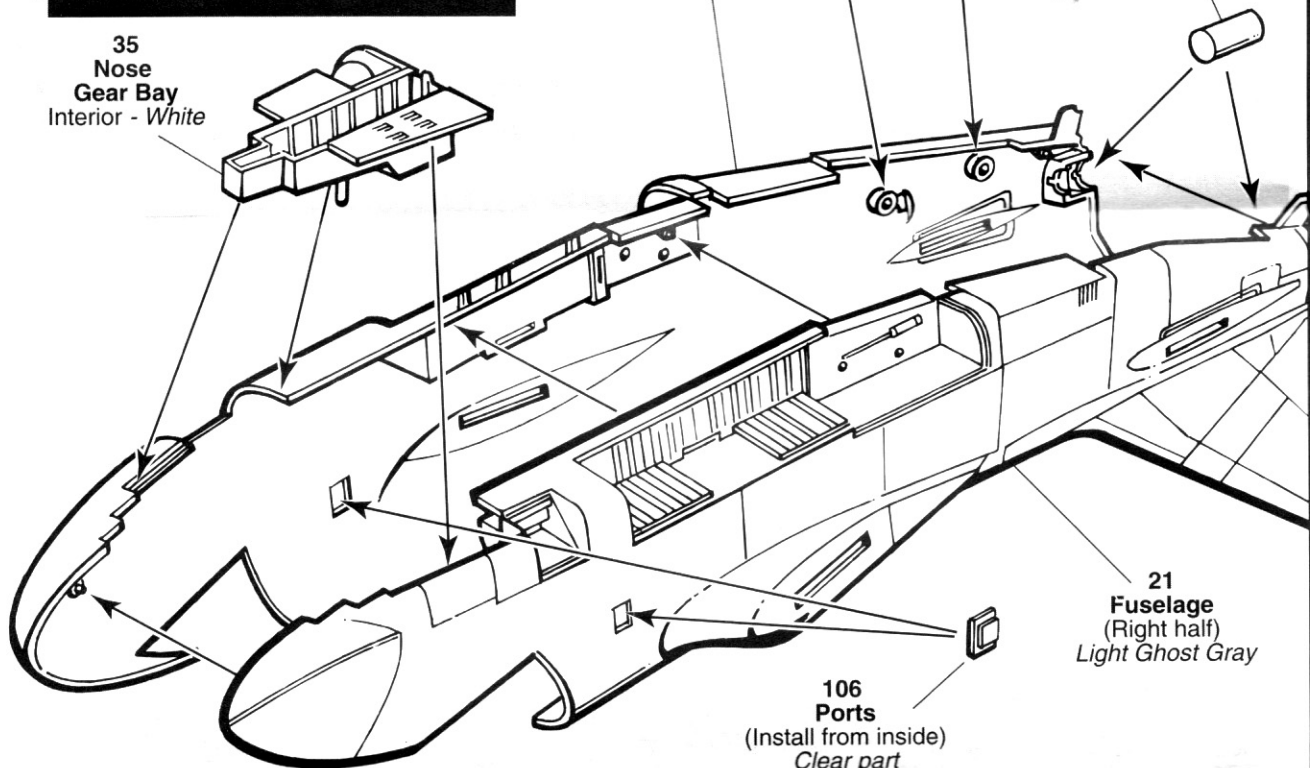
1
Fuselage
(Left half)
Light Ghost Gray

205
APU Exhaust
Steel

35
Nose
Gear Bay
Interior - *White*

21
Fuselage
(Right half)
Light Ghost Gray

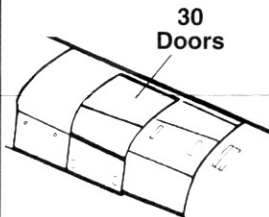
106
Ports
(Install from inside)
Clear part



6 FLIR Bay Options

OPTION 1

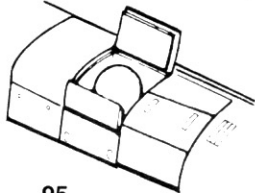
FLIR Dome retracted and doors closed. Cement FLIR Doors (30) over FLIR bay.



OPTION 2

FLIR Dome retracted and doors open. Separate doors and cement in the open position as shown.

This area is shown upside down for clarity.



OPTION 3

FLIR Dome extended with doors open. Cement FLIR Dome (95) in position over the retracted dome. Cement doors in the open position.



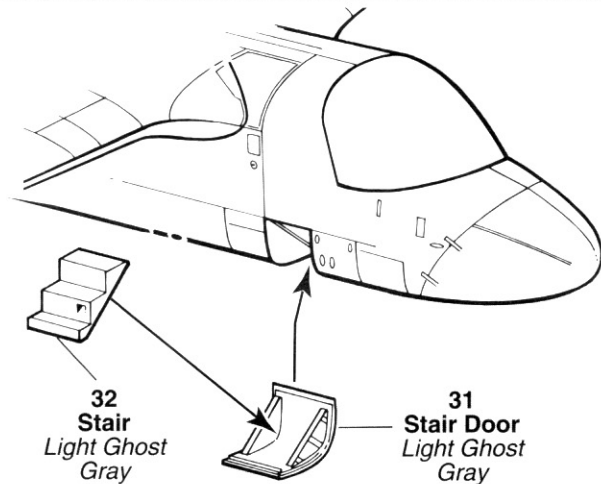
7 Stair Assembly

OPTION 1

Stair Door open. Assemble the parts as shown in the illustration below using Stair Door (31) & Stair (32).

OPTION 2

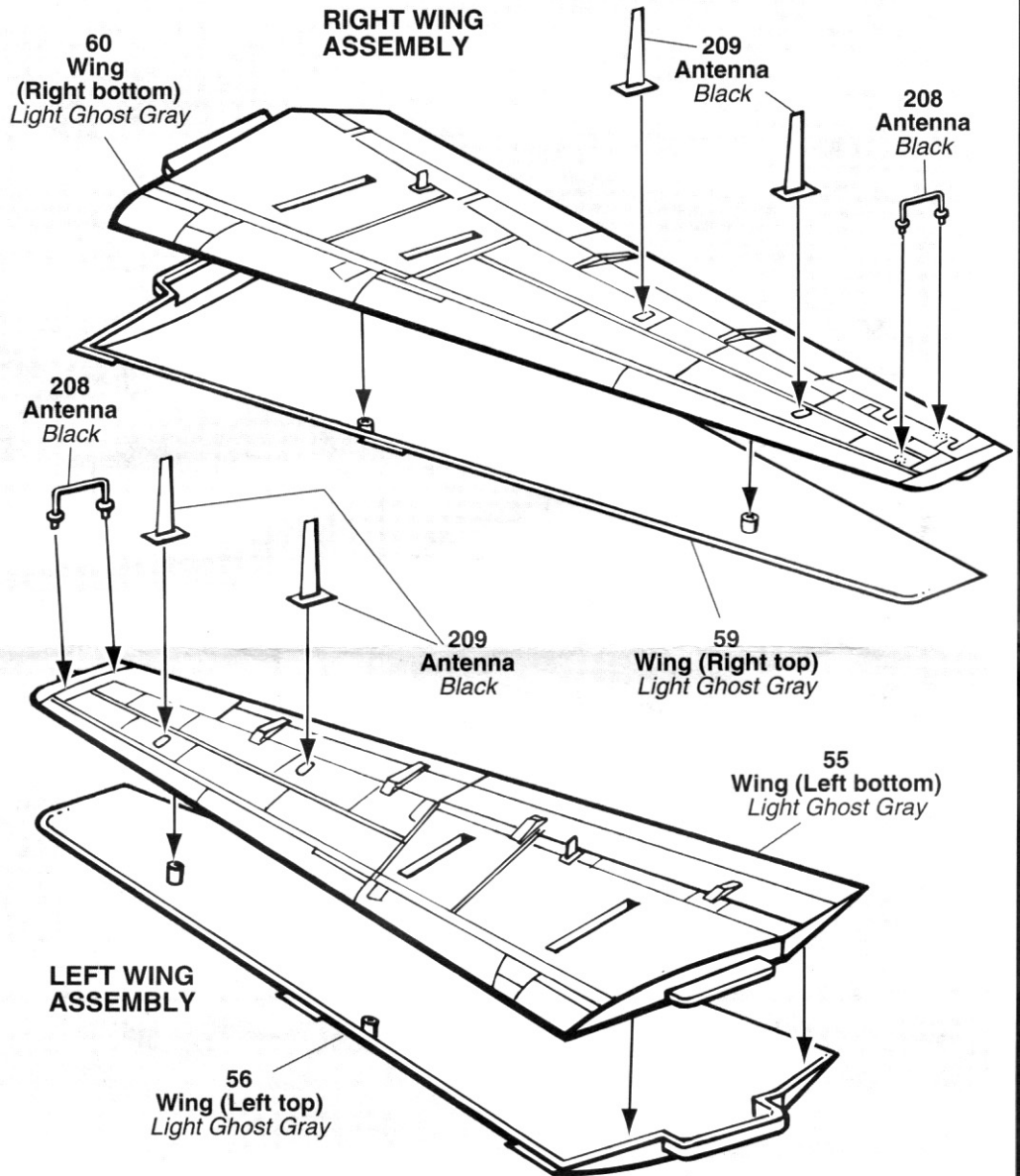
Stair Door closed. Use Stair Door (31) only. Position it over the stair bay and cement into position.



8 Wing Assembly

Assembly Note:

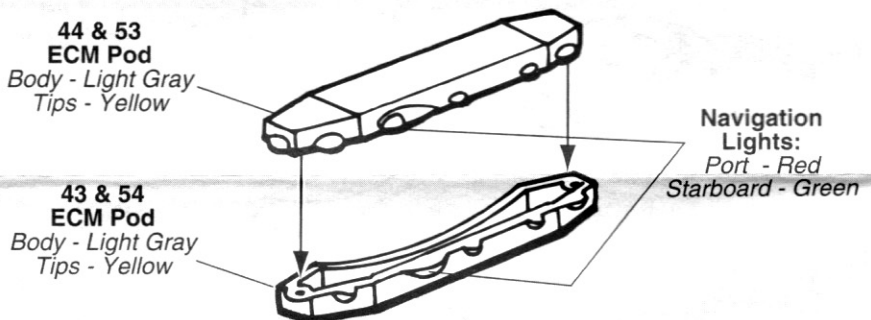
- 1...Use your hobby knife and drill out the two holes in each wing bottom at the wingtips. See drawing below for location.
- 2...Cement the Wing (Right bottom) (60) to Wing (Right top) (59).
- 3...Cement Wing (Left bottom) (55) to Wing (Left top) (56).
- 4...Cement two Antennas (209) to bottom of each wing assembly.
- 5...Cement one Antenna (208) to the bottom of each wingtip in the holes you just drilled out.



9 ECM Pod Assembly

Assembly Note:

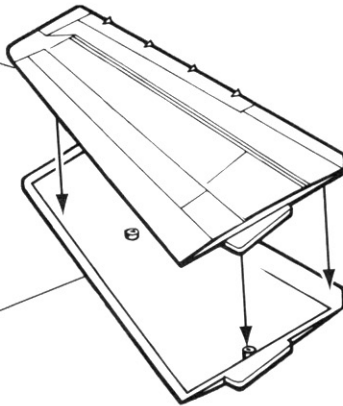
- 1...For port wing pod cement Pod halves (44 & 43) together.
- 2...For starboard wing pod cement Pod halves (53 & 54) together.



10 Stabilizer Assembly

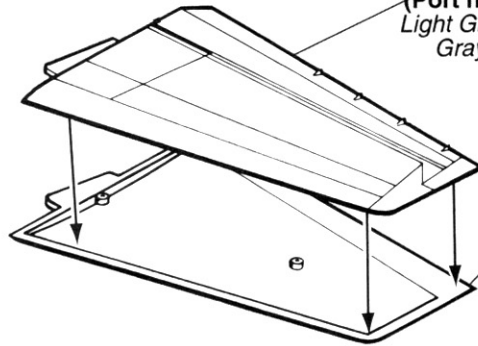
61
Stabilizer
(Starboard
half)
Light Ghost
Gray

62
Stabilizer
(Starboard
half)
Light Ghost
Gray



58
Stabilizer
(Port half)
Light Ghost
Gray

57
Stabilizer
(Port half)
Light Ghost
Gray



11 Engine Cowl/Pylon Assembly

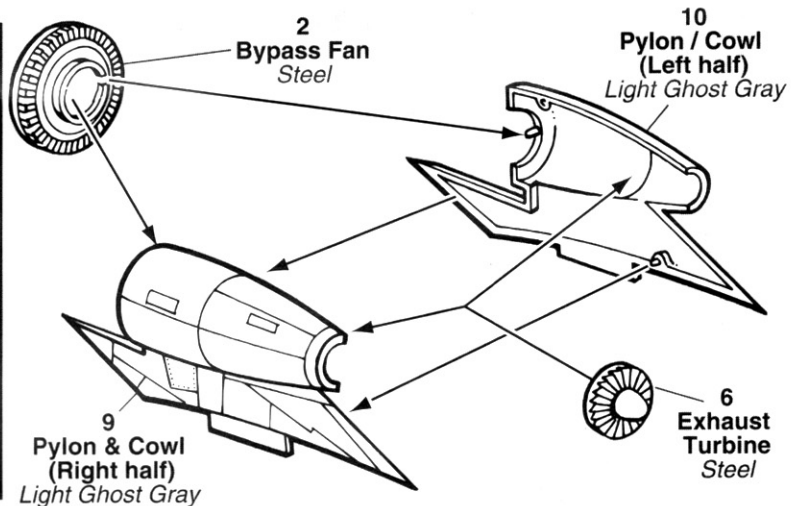
Assembly Note:

One Cowl/Pylon/Turbine is shown. Construct the other assembly using parts 2, 6, 11, & 12.

1...Cement Exhaust Turbine (6) into position.

2...Cement Pylon & Engine Cowl halves (9 & 10) together.

3...Cement a Bypass Fan (2) to the front of the Engine Cowl assembly.



12 Engine Turbine Section Assembly

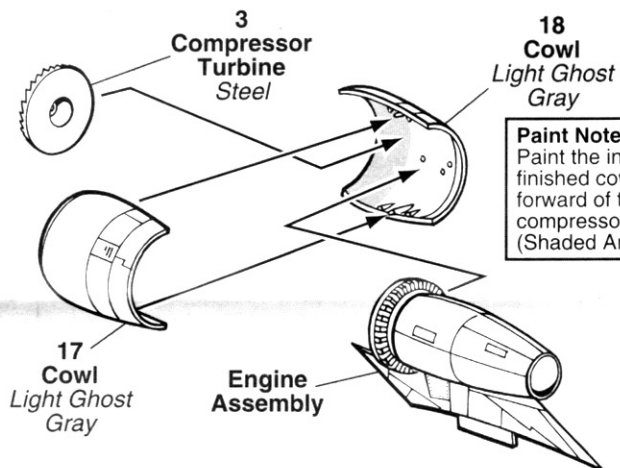
Assembly Note:

One Forward Engine Section assembly is shown. Build the other assembly using parts 3, 19, & 20.

1...Cement Compressor Turbine (3) to Cowl (18).

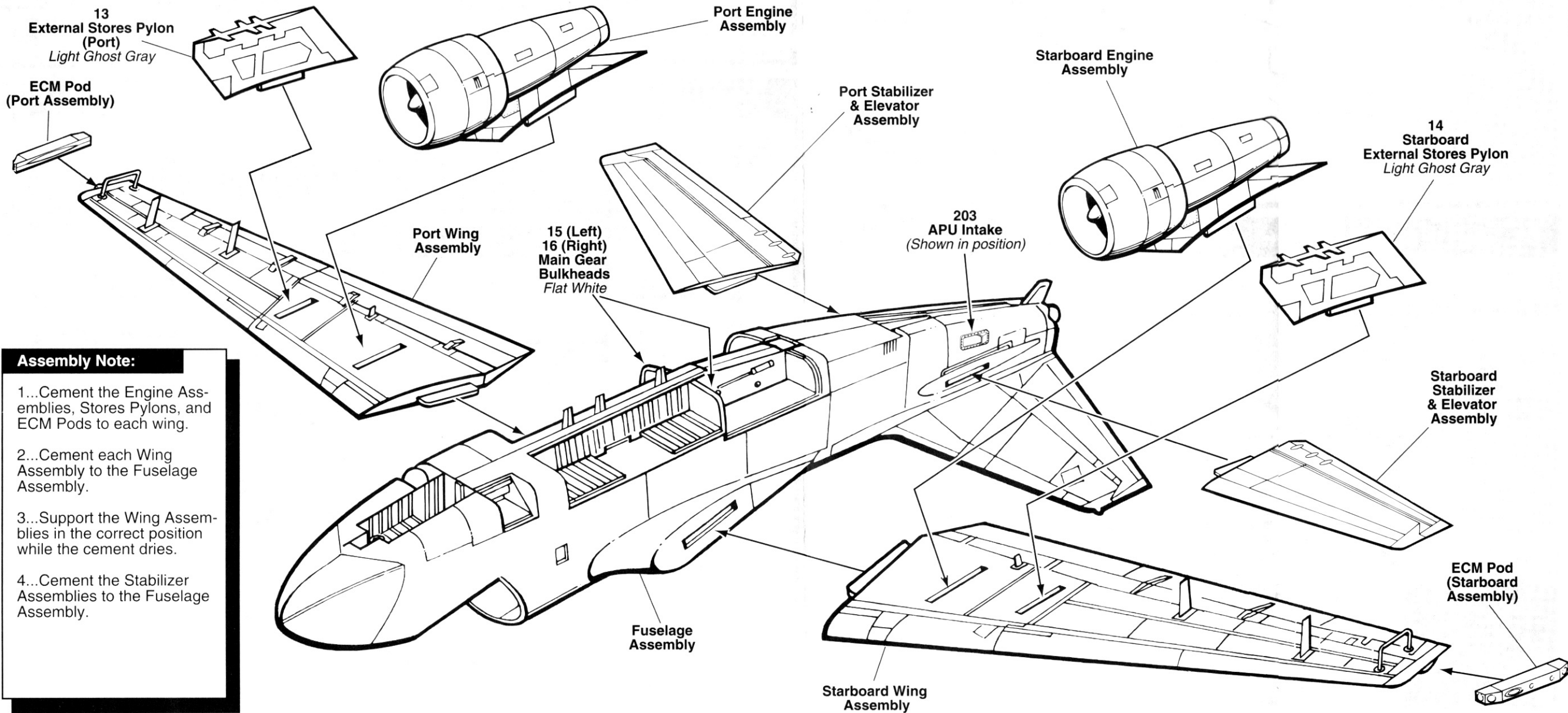
2...Cement Cowl (18) to the Cowl/Pylon assembly.

3...Cement Cowl (17) to Cowl (18).



Paint Note:
Paint the inside of this finished cowl assembly, forward of the compressor turbine, (Shaded Area), flat white.

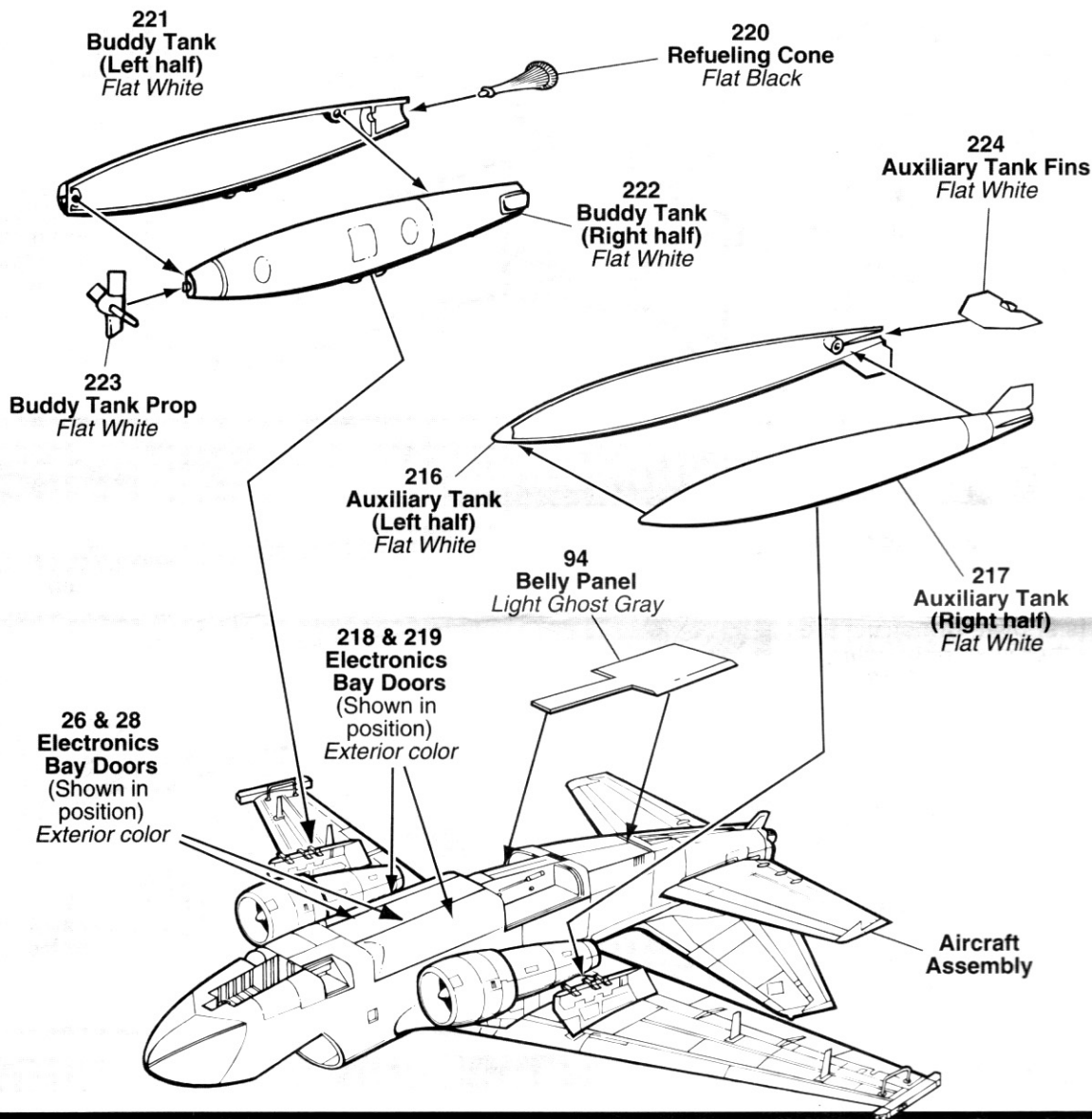
13 Fuselage/Wing/Engine/Pylon Assembly



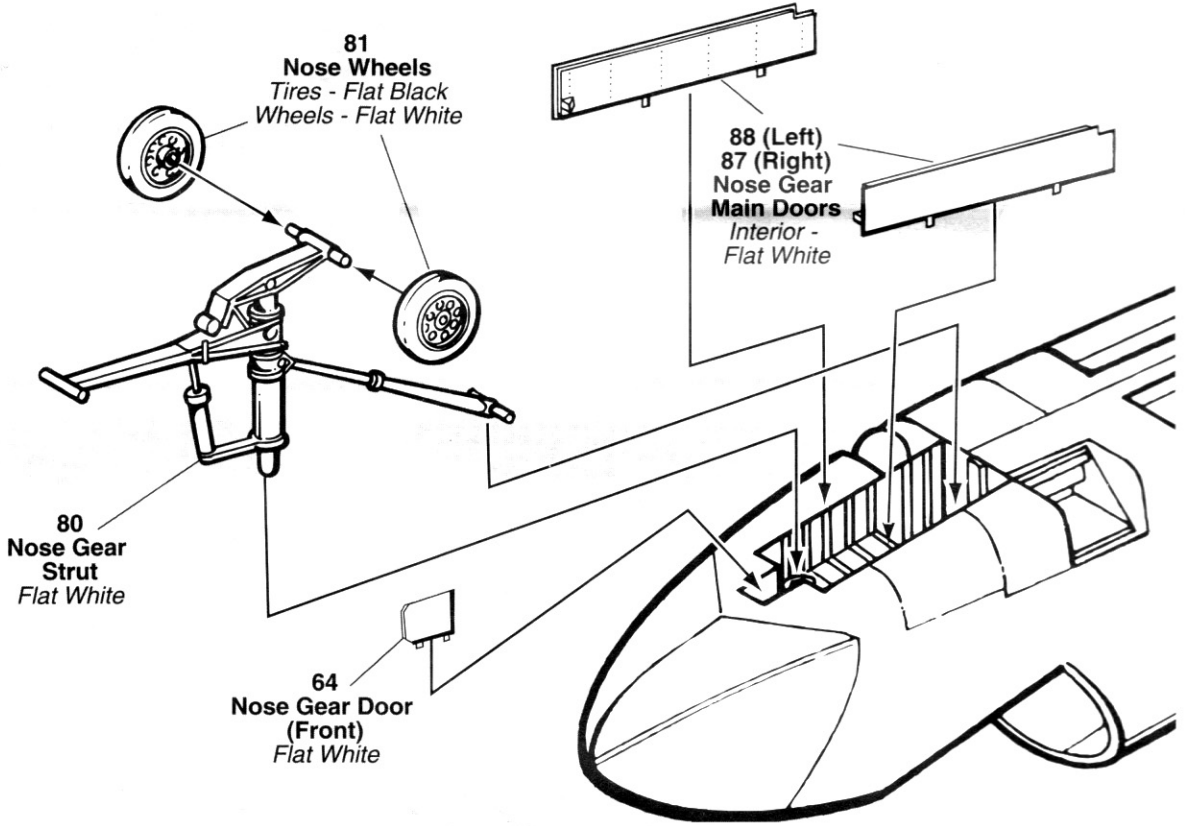
Assembly Note:

- 1...Cement the Engine Assemblies, Stores Pylons, and ECM Pods to each wing.
- 2...Cement each Wing Assembly to the Fuselage Assembly.
- 3...Support the Wing Assemblies in the correct position while the cement dries.
- 4...Cement the Stabilizer Assemblies to the Fuselage Assembly.

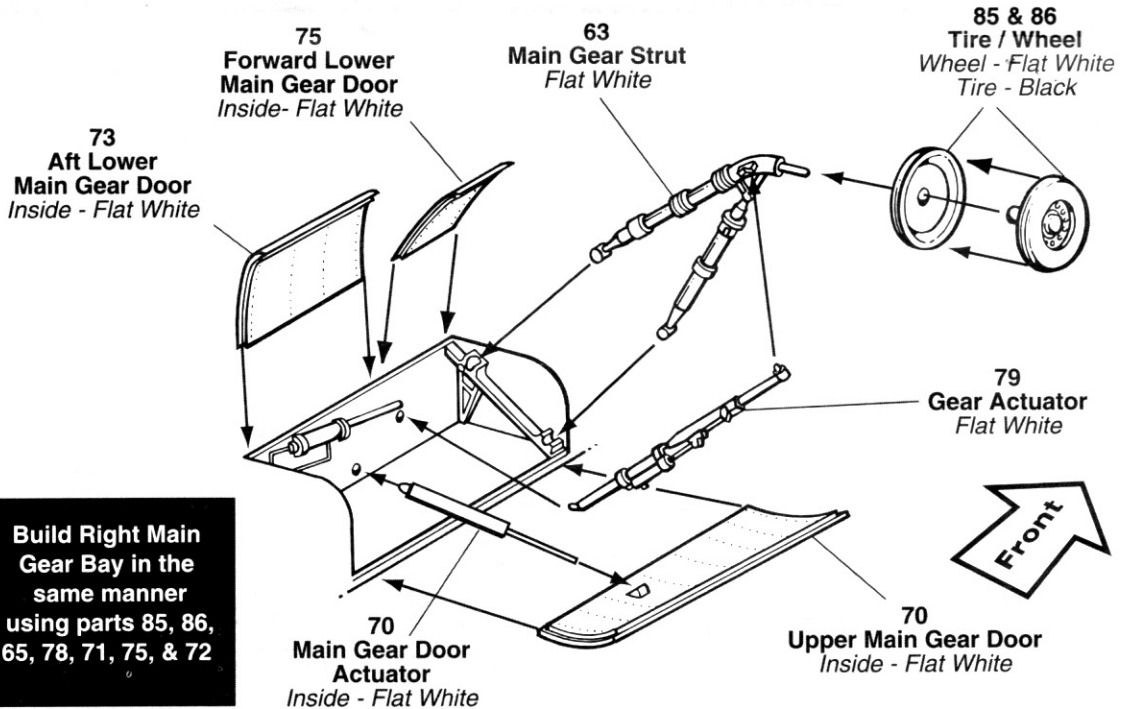
14 Pylon Stores Installation



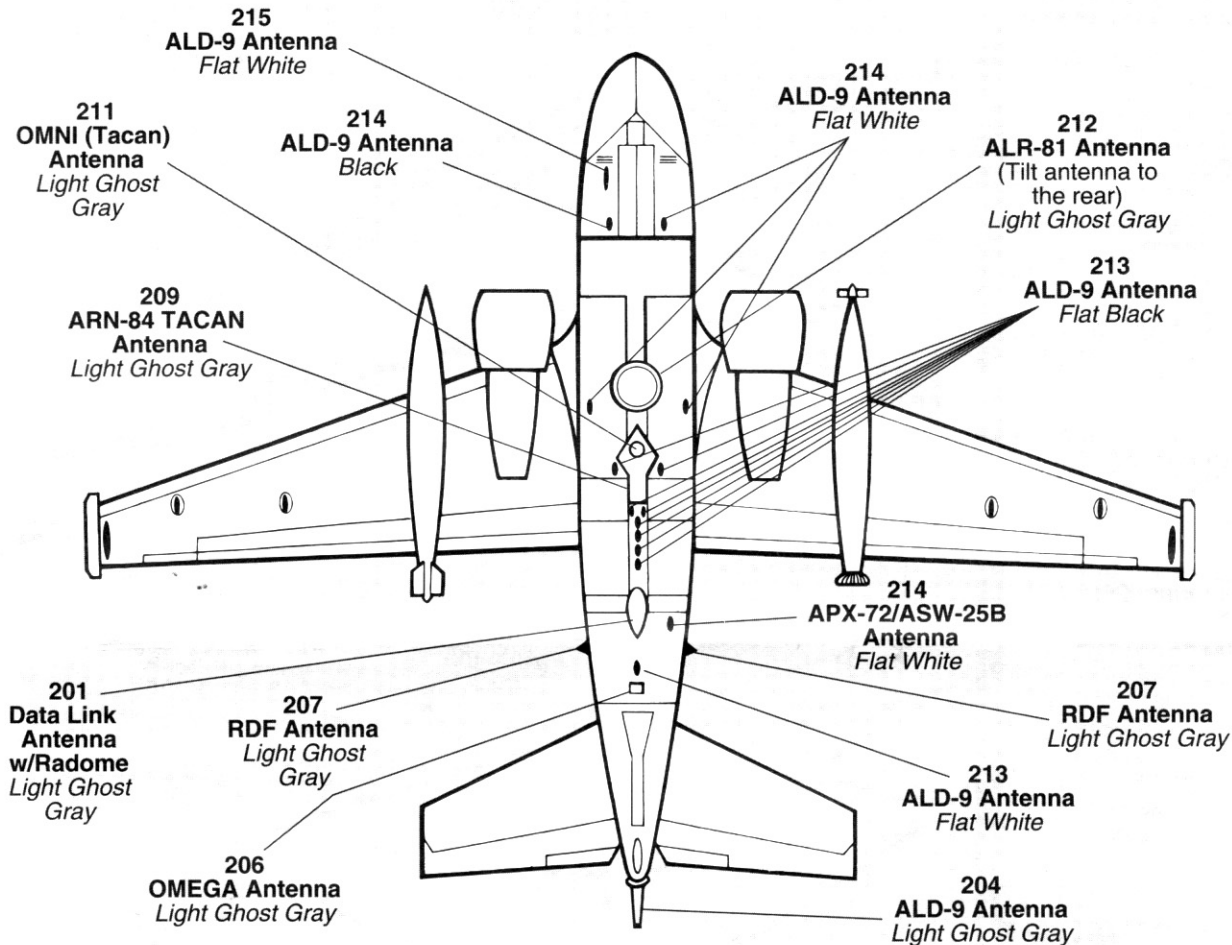
15 Nose Wheel Installation



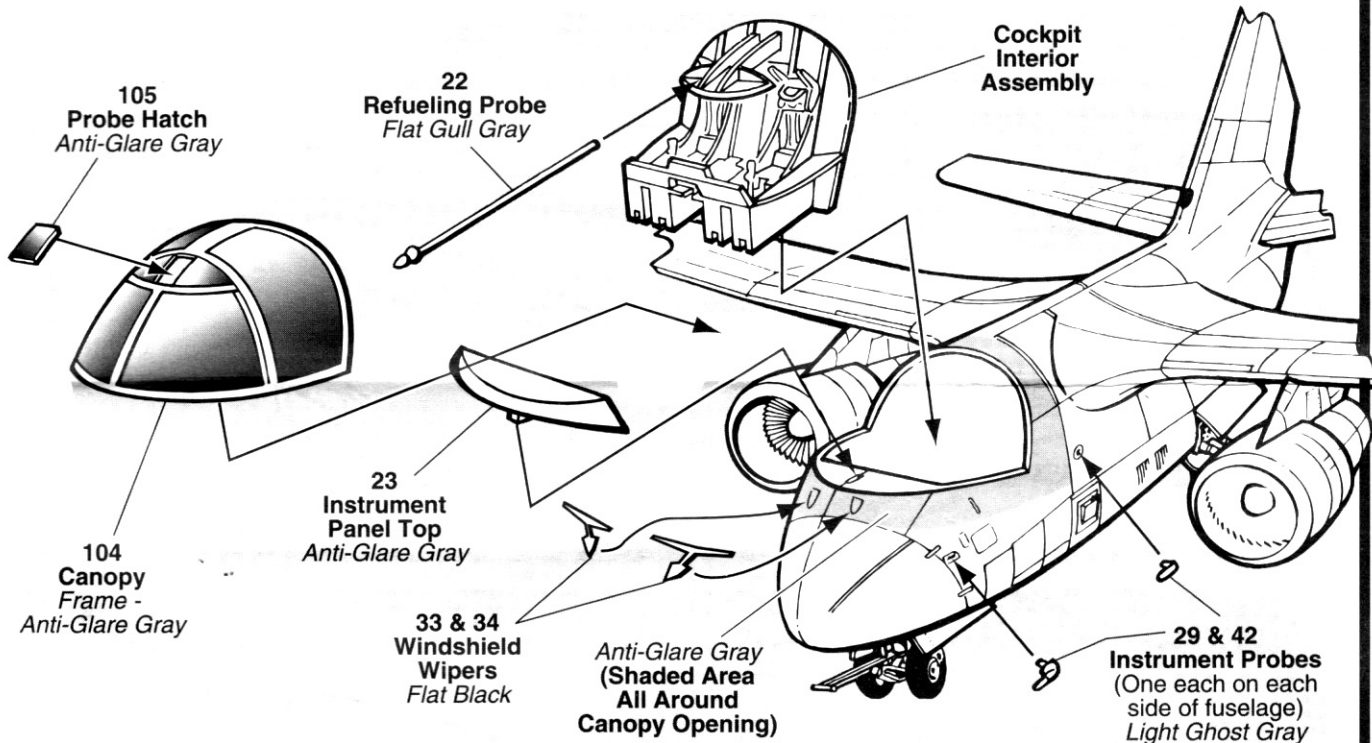
16 Left Main Gear Assembly



17 Antenna Locations



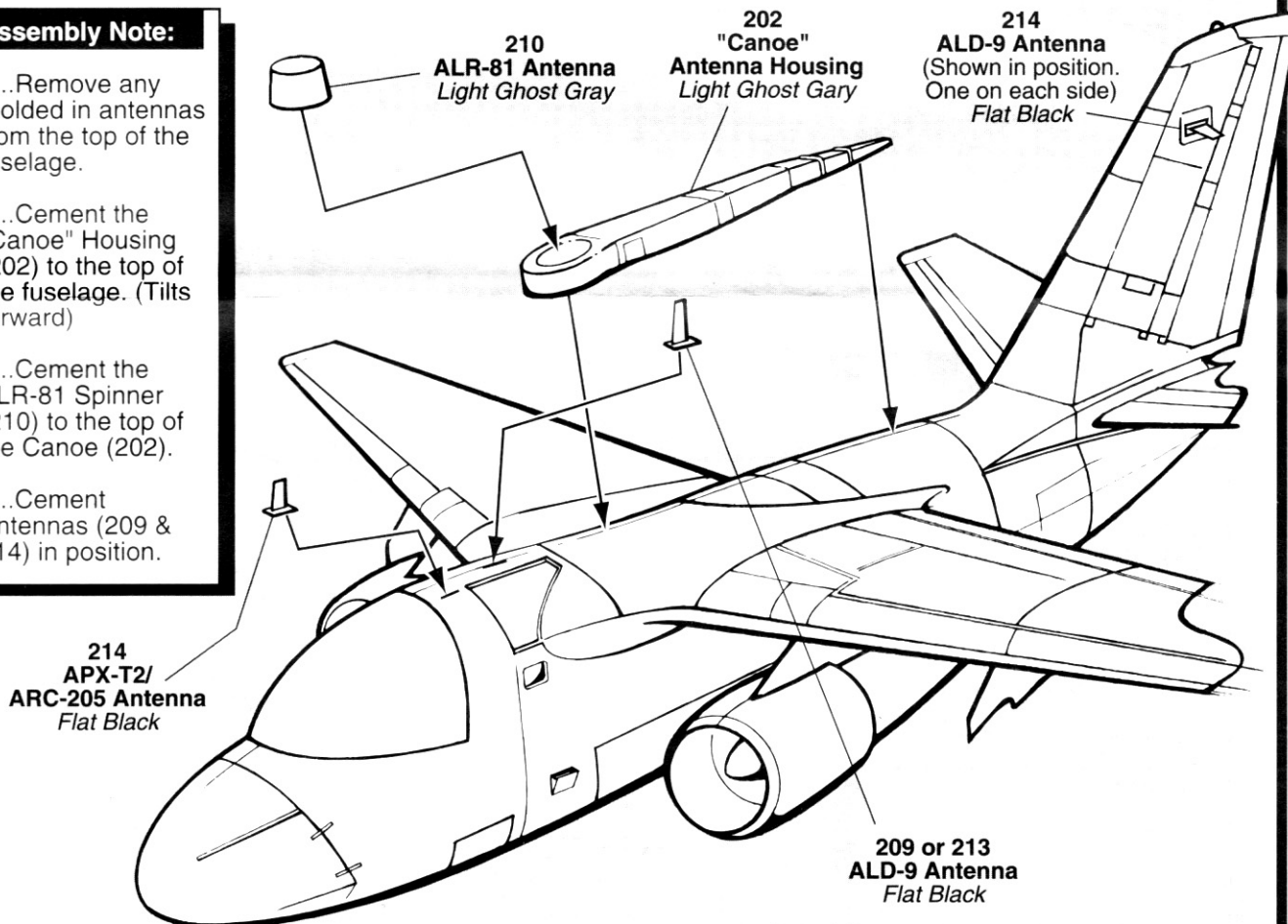
18 Cockpit & Canopy Installation



19 Upper Antenna Installation

Assembly Note:

- 1...Remove any molded in antennas from the top of the fuselage.
- 2...Cement the "Canoe" Housing (202) to the top of the fuselage. (Tilts forward)
- 3...Cement the ALR-81 Spinner (210) to the top of the Canoe (202).
- 4...Cement Antennas (209 & 214) in position.

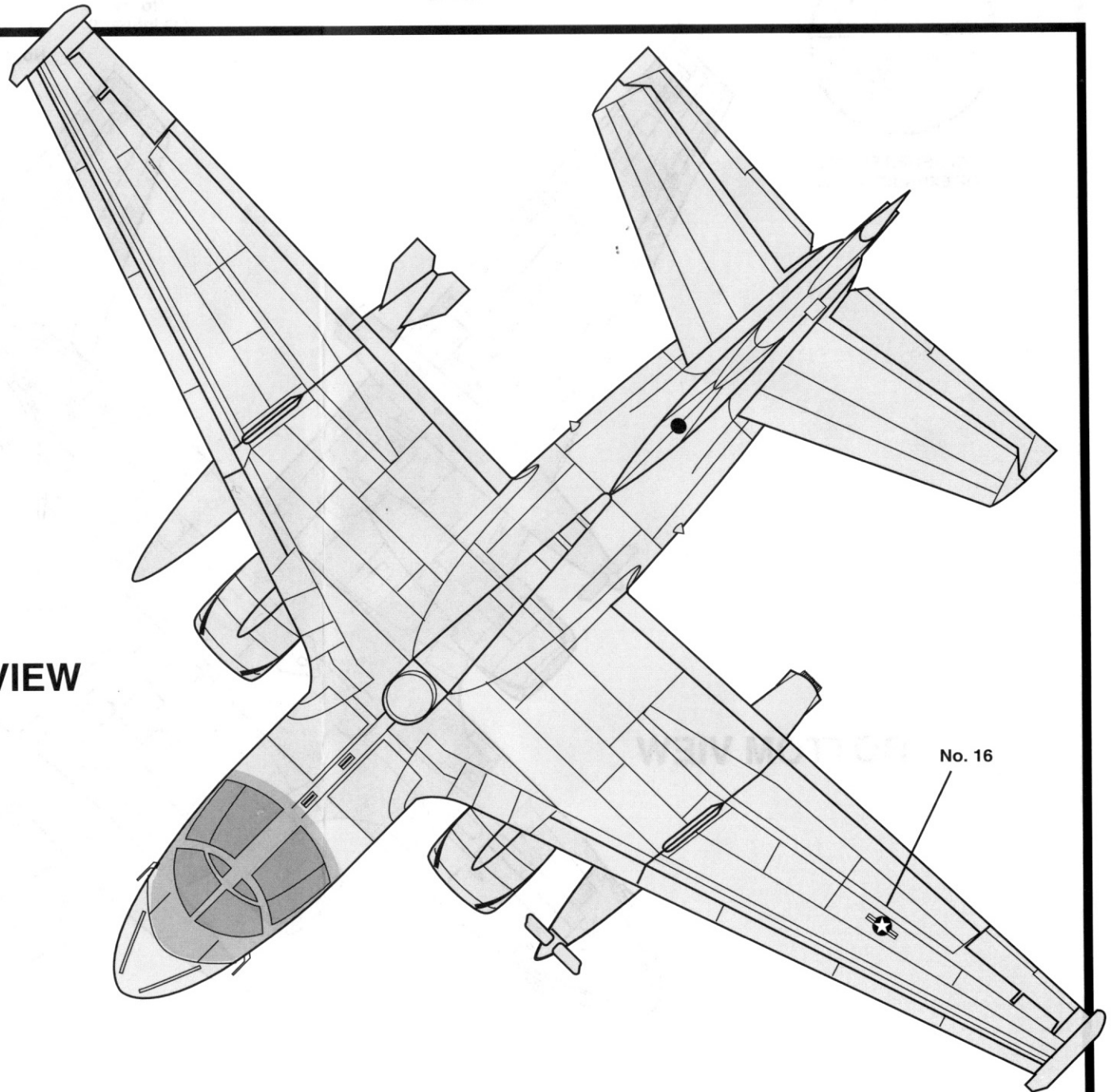


Paints You Will Need:

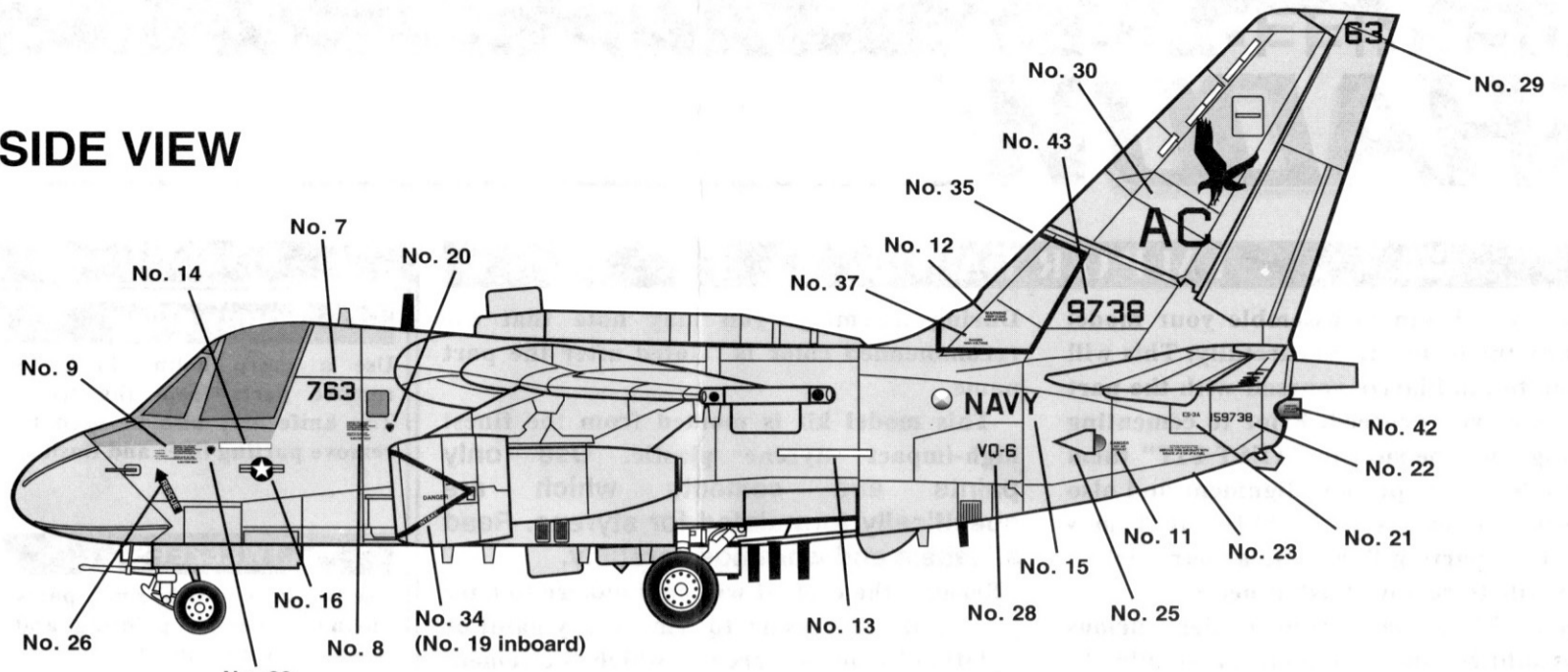
It is recommended you have the following paint colors on hand before you begin to assemble your model kit.

- Light Ghost Gray FS#36375
 - Medium Gray (Anti-Glare) FS#35237
 - Black • Flat Black • Brown
 - Green • Light Gray • Olive Green
 - Red • Steel • White • Flat White
- (A Clear Dull Coat may be used to create a flat color appearance)

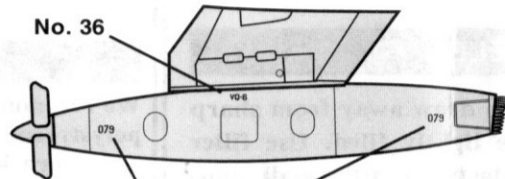
TOP VIEW



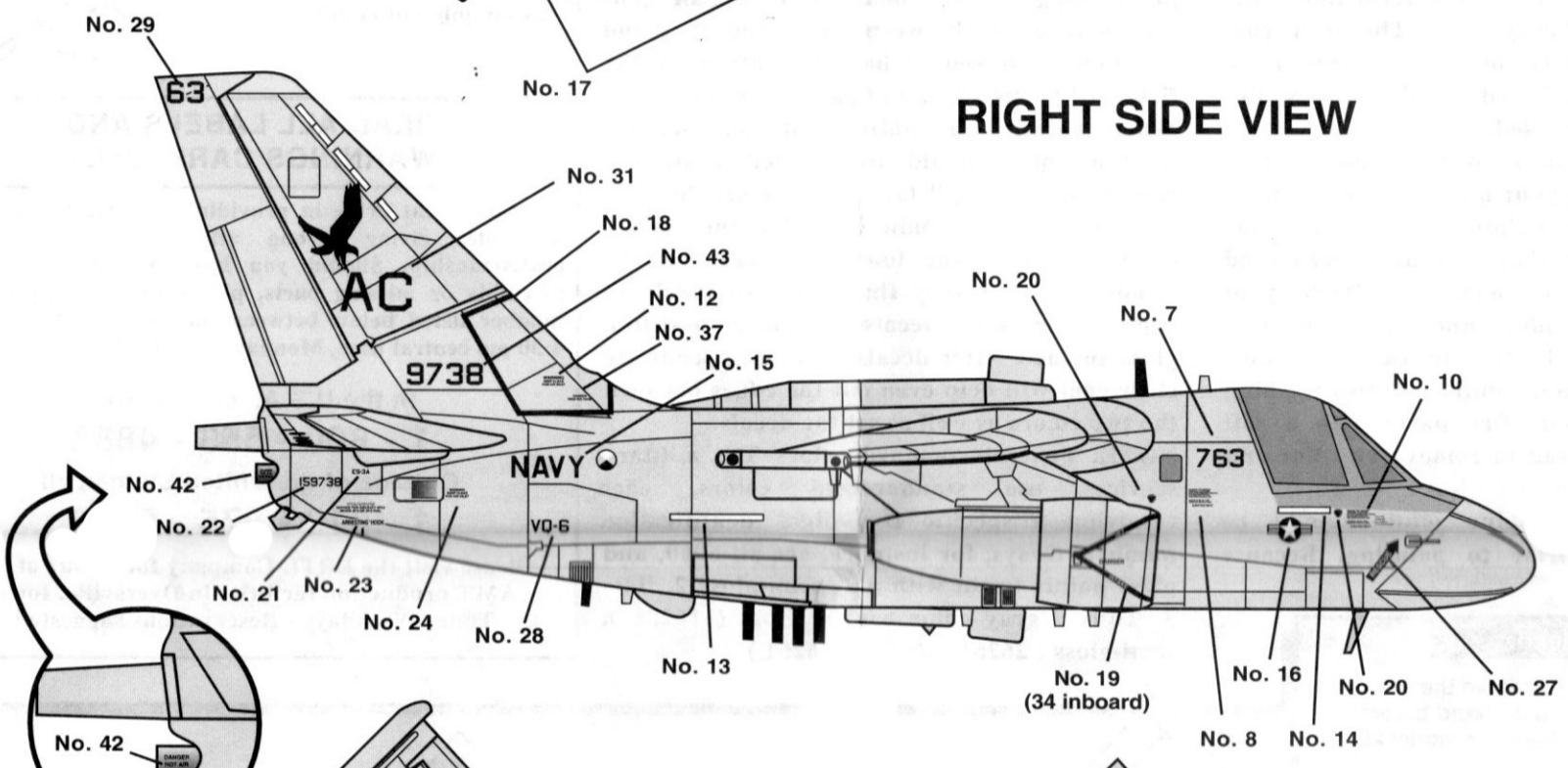
LEFT SIDE VIEW



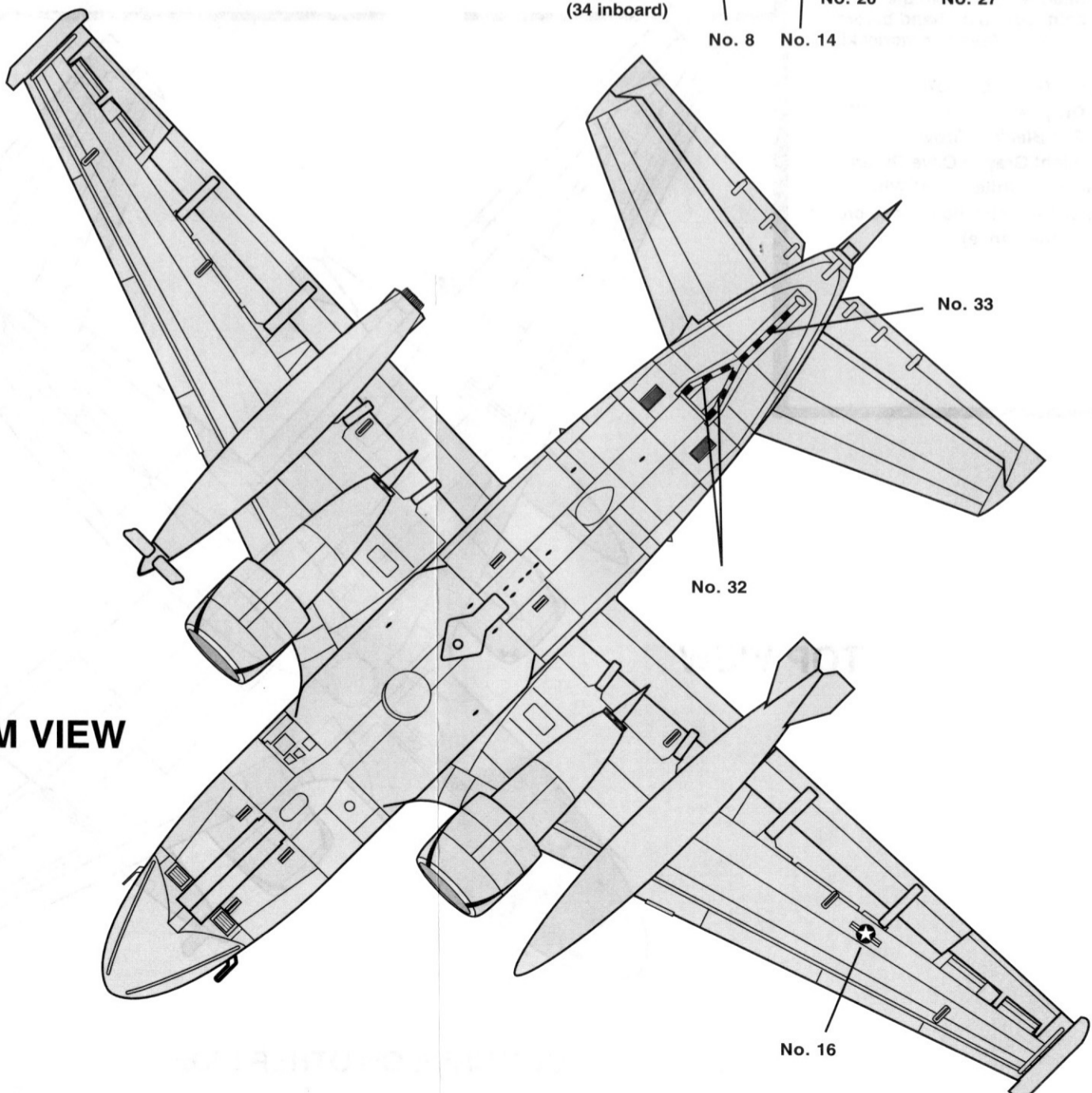
WEAPONS PYLON WITH BUDDY TANK



RIGHT SIDE VIEW

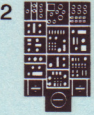


BOTTOM VIEW



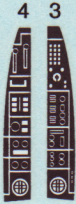
ES-3A VIKING 8750-9530

763 763



38

40



8
WARNING
KEEP CLEAR
RAM AIR INLET
EJECTION SEAT

9
WARNING
KEEP CLEAR
RAM AIR INLET
EJECTION SEAT

11
DANGER
HOT AIR
EXHAUST

12
WARNING
KEEP CLEAR
RAM AIR INLET

WARNING
KEEP CLEAR
RAM AIR INLET

28
VQ-6
VQ-6

63 63

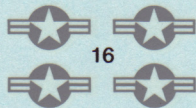
30

24
WARNING
KEEP CLEAR
VCS AIR INLET

31

17
079 079

079 079



NAVY NAVY

15

22
159738

21
ES-3A

159738

ES-3A

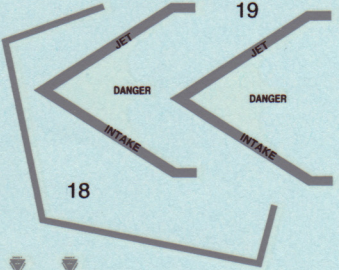
18

20

42

DANGER
HOT AIR
EXHAUST

DANGER
HOT AIR
EXHAUST



25

ARRESTING HOOK

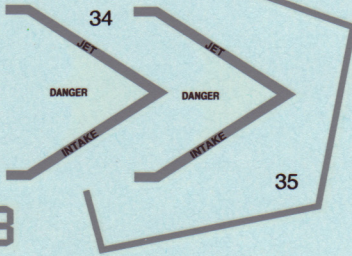
ARRESTING HOOK

26 ← RESCUE

27 → RESCUE

33

32



35

37

DANGER
HIGH VOLTAGE

36

VO-6

VO-6

AC

AC

43

9738 9738