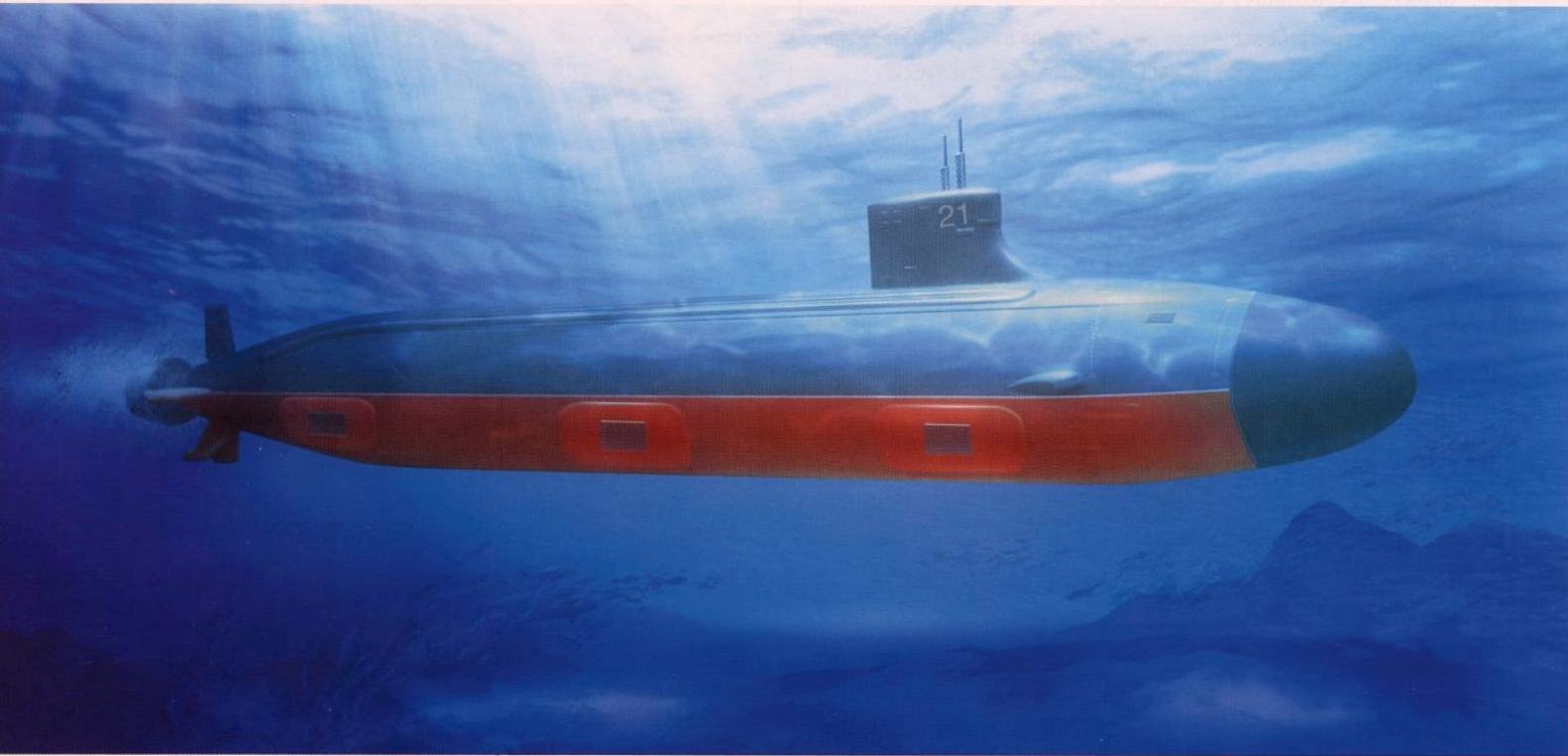


USS SSN-21/22 Seawolf-class attack submarine

美国海狼级核动力攻击潜艇

1/350 SCALE



USS Seawolf-class submarines project began in the mid-1980s were designed to destroy Soviet ballistic missile submarines before they could attack American targets. The Seawolf has the highest tactical speed of any US submarine, was conceived as a faster, better-armed eventual replacement for the Los Angeles class (SSN 688) nuclear-powered attack submarine and Seawolf is the first American attack submarine to use a hull made entirely of high-pressure HY-100 steel. The HY-100 steel was designed to achieve an operational diving depth of 300 meters or more. The first Seawolf (SSN 21) was commissioned on 19 July 1997 at Electric Boat Shipyard. The second submarine of Seawolf class were the Connecticut (SSN-22) was commissioned in December 1998.

中文

美国海狼级攻击潜艇计划始于上世纪八十年代，主要设计专门用来对付前苏联洲际弹道导弹潜艇。海狼级潜艇比其他美国潜艇更快更静，功能更多，准备用来替换‘洛杉矶’级潜艇。至今为止共有三艘海狼级潜艇投入服务，依次为‘海狼’‘康涅狄格’及‘占美·卡塔尔’，最新之‘古美·卡塔尔’号比早前两艘更长，功能更多。

ILLUSTRATION 图示说明:

CORRECT METHOD FOR APPLYING DECALS : 正确使用水贴纸的方法:

1. Clean model parts surface with wet cloth.
将需要贴水贴之部位表面擦干净。
2. Cut out the decal parts and dip them in cold water for 15 ~20 seconds.
将所需之贴纸剪下泡在清水里约15至20秒。
3. Place it on correct position of the model kit.
将湿透之贴纸取出置放于正确之位置旁。
4. Slide off the decal from the base paper on to the model kit surface with a cotton stick.
用棉花棒轻推贴纸表面使其从底纸滑出至模型表面之正确位置。
5. When decal get dry then complete.
待其自然干透后即完成。

ICON INSTUCTION: 图标说明:



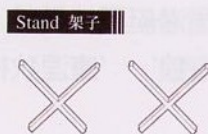
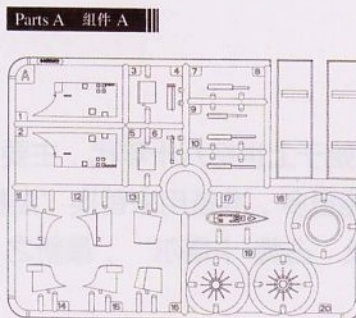
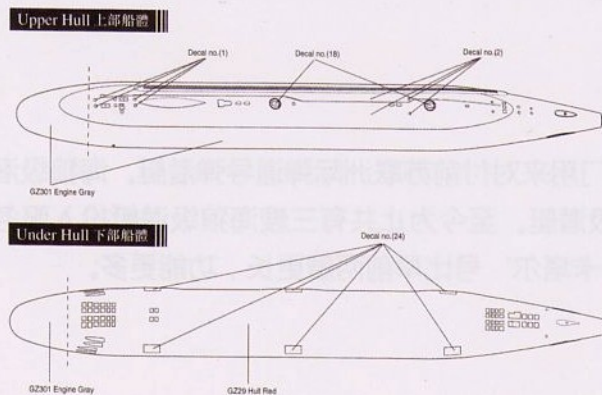
COLOR SUGGESTION: 涂装指引:

Color 涂料表	Hobby Color	MR. Hobby	Humbrol	Tamiya
Hull red 船底红	H-29	C-29	10	XF-9
Gold 金色	H-9	C-9	16	X-12
Engine gray 引擎灰(FS16081)	H-339	C-339	/	XF-56

READ BEFORE ASSEMBLING: 组装必读:

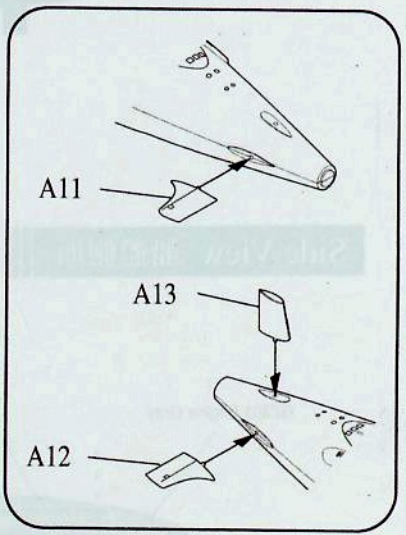
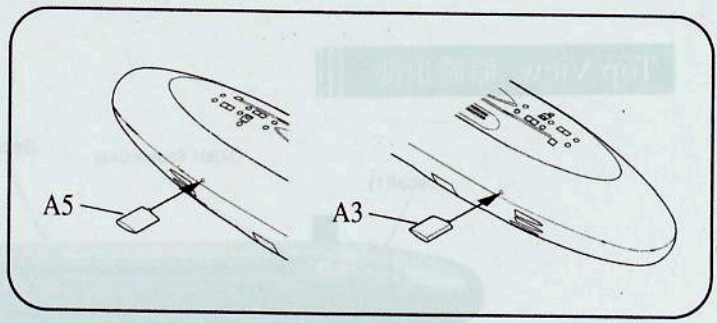
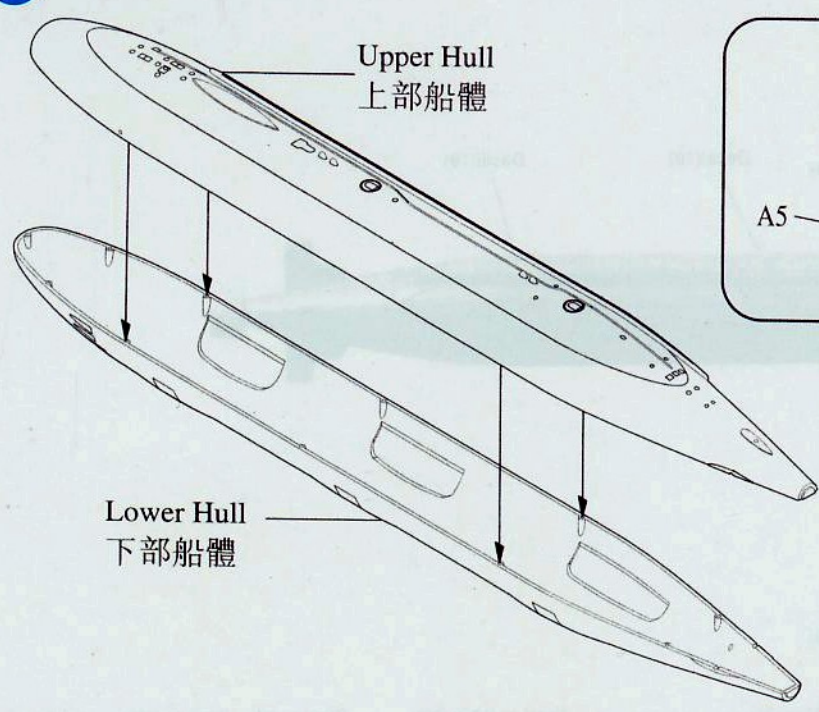
- Carefully Study instruction before assembling. 组装前请阅读清楚制作指引。
- Keep plastic model glue and tools away from children. 胶水,油漆及工具勿让小孩接触。
- Do not use cement or paint near open flame or sparks. 胶水及油漆勿接触火种。
- Do not work in closed room. 勿在密封地方制作模型。

PARTS LIST 零件展示表:

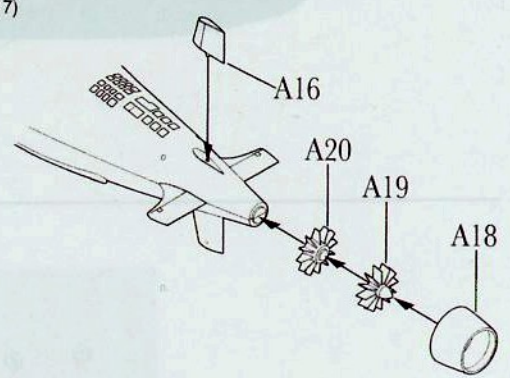
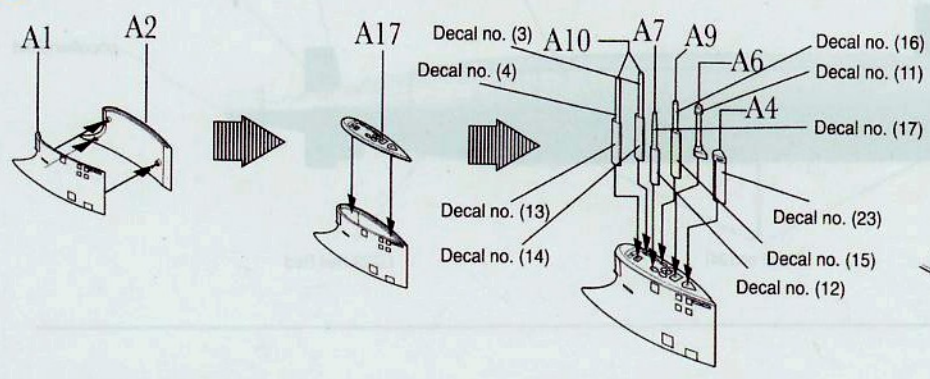


Printed in China

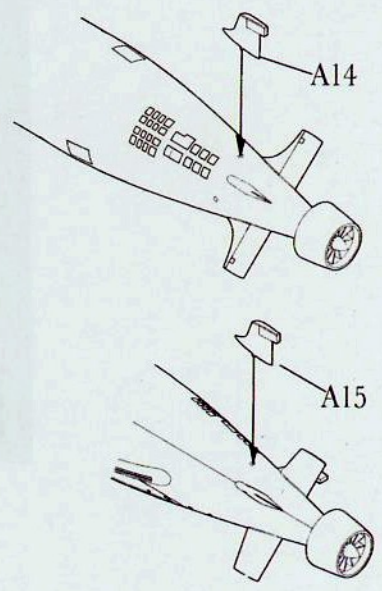
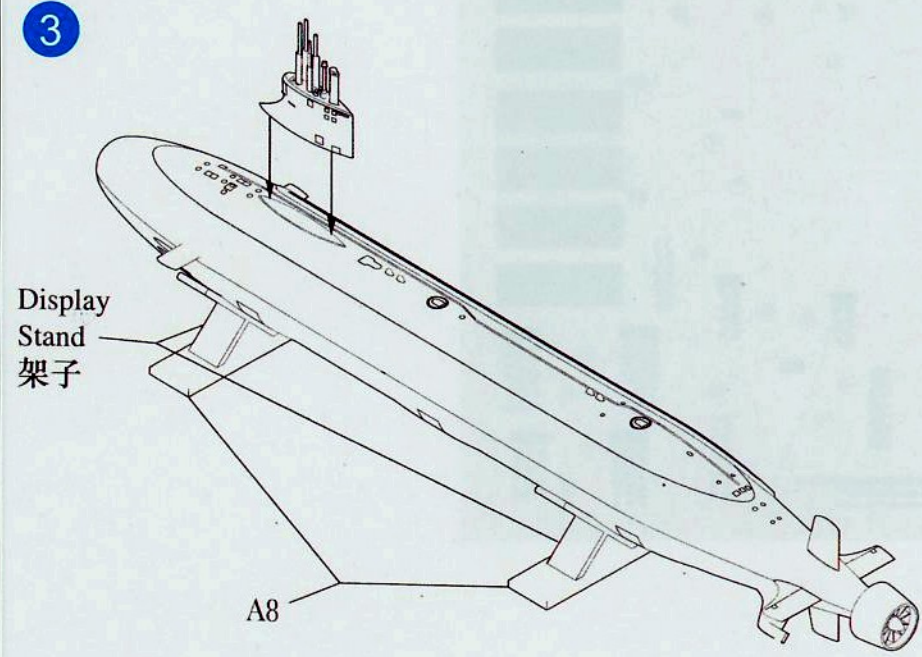
1



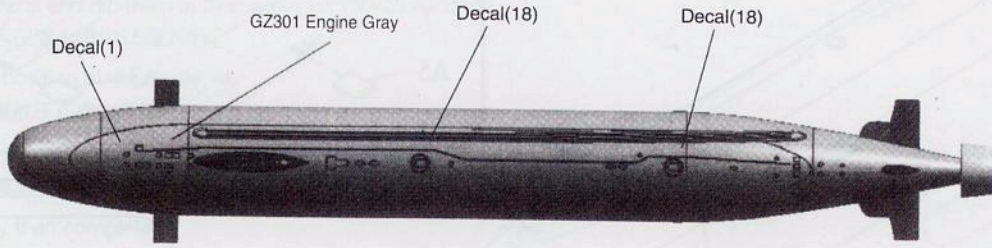
2



3



Top View 船體頂部



Side View 船體側面

