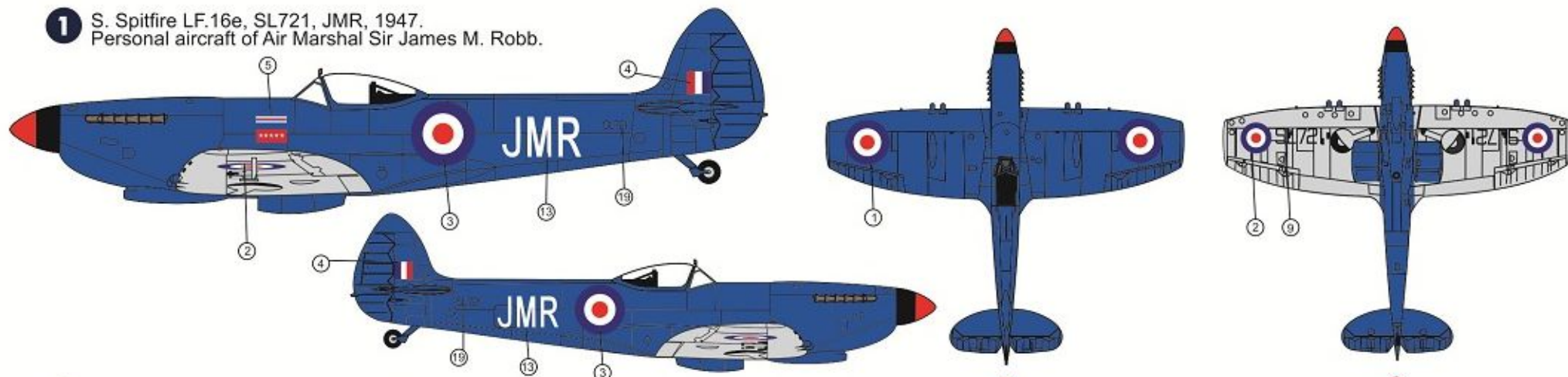
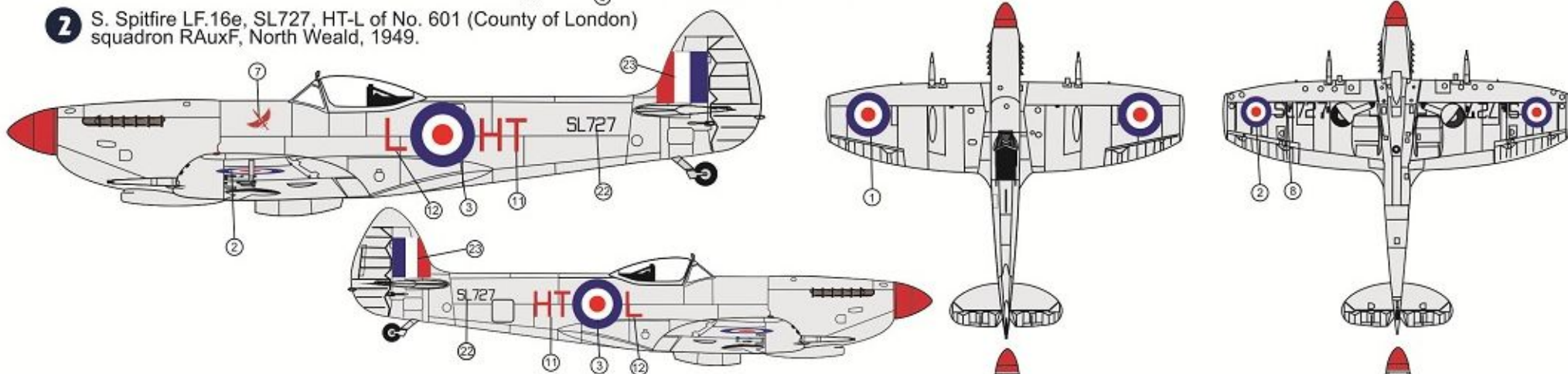


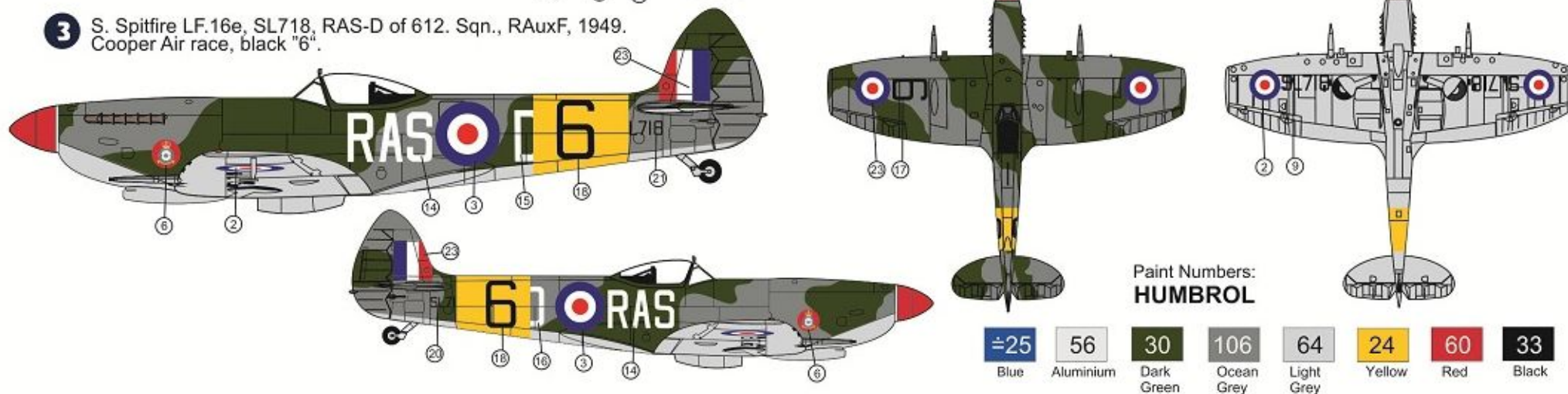
1 S. Spitfire LF.16e, SL721, JMR, 1947.
Personal aircraft of Air Marshal Sir James M. Robb.



2 S. Spitfire LF.16e, SL727, HT-L of No. 601 (County of London) squadron RAuxF, North Weald, 1949.



3 S. Spitfire LF.16e, SL718, RAS-D of 612. Sqn., RAuxF, 1949.
Cooper Air race, black "6".



Paint Numbers:
HUMBROL

#25	56	30	106	64	24	60	33
Blue	Aluminium	Dark Green	Ocean Grey	Light Grey	Yellow	Red	Black

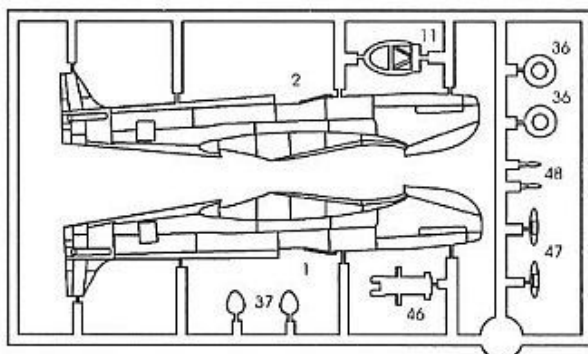
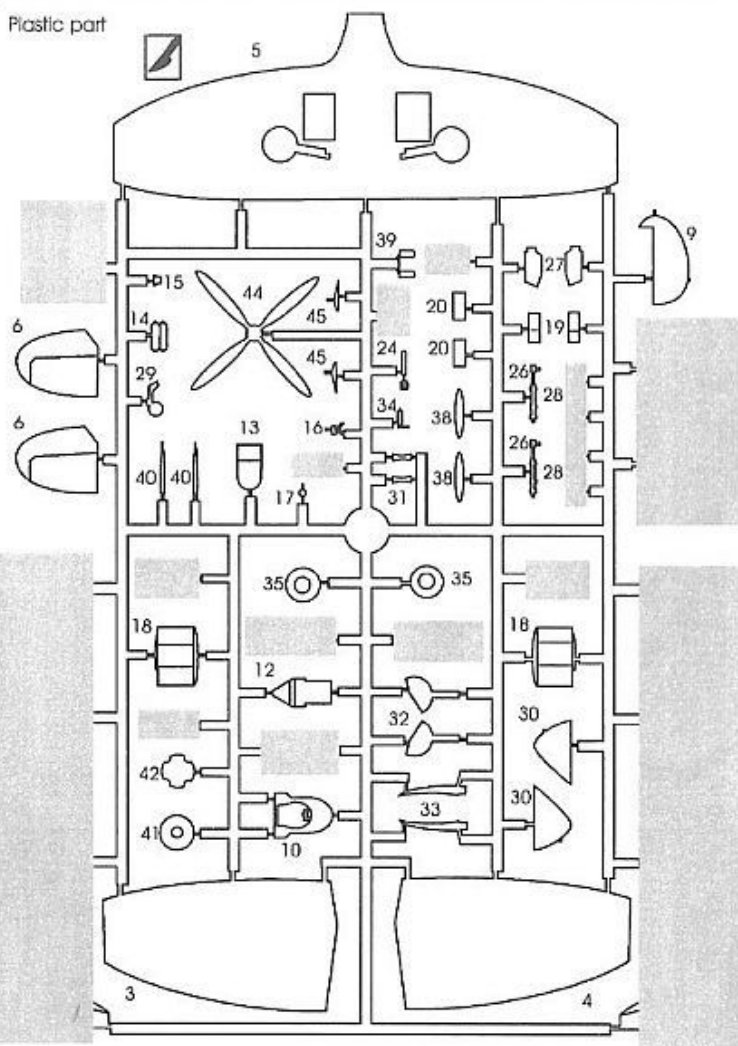
Supermarine Spitfire MK XVI

Plastic model

scale : 1/72

The Mk XVI was the same as the Mk IX in nearly all respects except for the engine, a Merlin 266. The Merlin 266 was the Merlin 66 and was built under licence in the USA by the Packard Motor Company. The "2" was added as a prefix in order to avoid confusion with the engines, as they required different tooling. All Mk XVI aircraft produced were of the Low-Altitude Fighter (LF) variety. This was not determined by the length of the wings (clipped wings were fitted to most LF Spitfires), but by the engine, which had been optimised for low-altitude operation. All production Mk XVIs had clipped wings for low altitude work and were fitted with the rear fuselage fuel tanks with a combined capacity of 75 gal. Many XVIs featured cut-down rear fuselages with "bubble" canopies. On these aircraft the rear fuselage tank capacity was limited to 66 gal. Because of a slightly taller intercooler and rearranged accessories on the Packard Merlins a new, bulged upper cowling was introduced and also appeared on late production IXs. Armament for most Mk XVIs consisted of 2 × 20 mm Hispano II cannon - each with 120 rpg - and 2 × .50 calibre Browning machine guns - each with 250 rpg. 1 × 500 lb (227 kg) bomb could be carried underneath the centre rack, and 1 × 250 lb (114 kg) bomb could be slung under each wing. A total of 1,054 Mk XVIs were built by Castle Bromwich.

Plastic part



PUR part

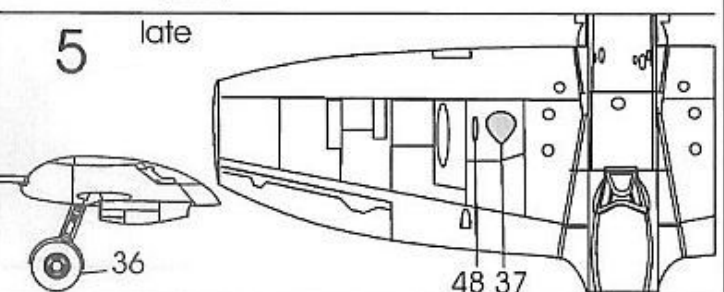
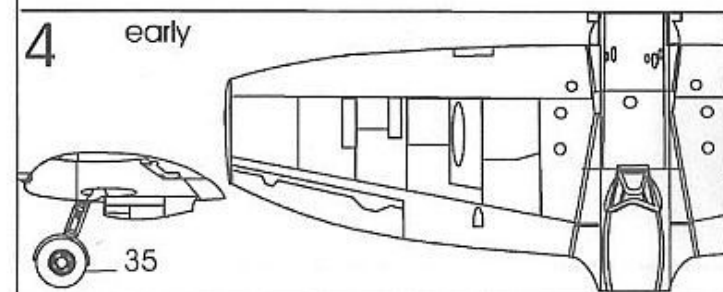
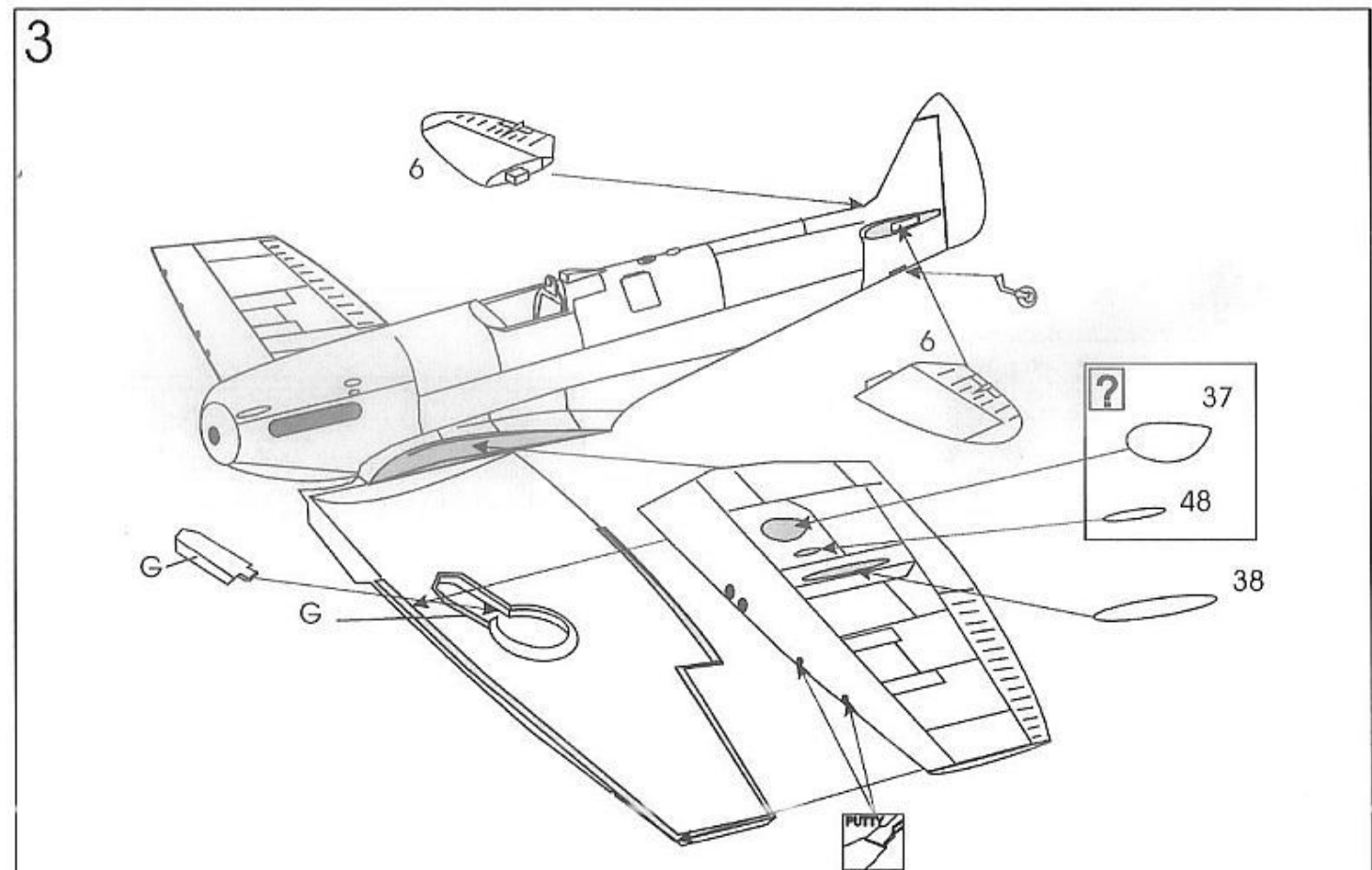
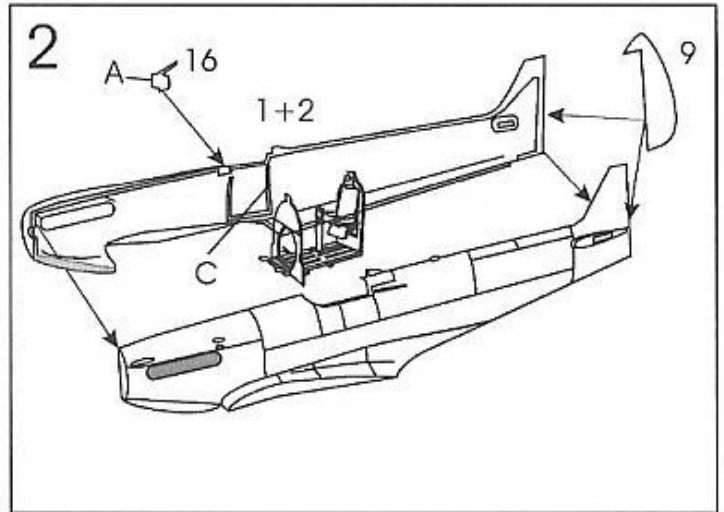
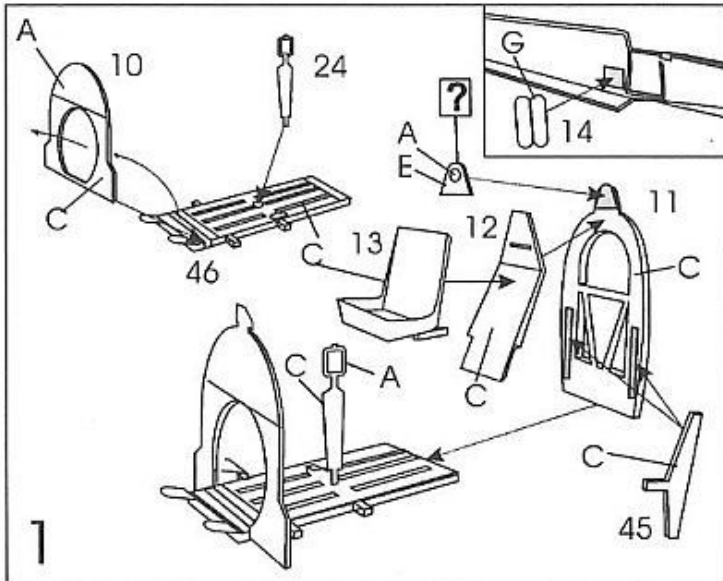
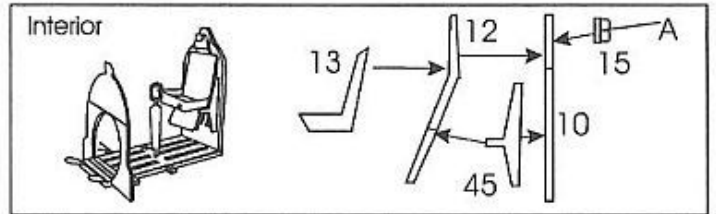


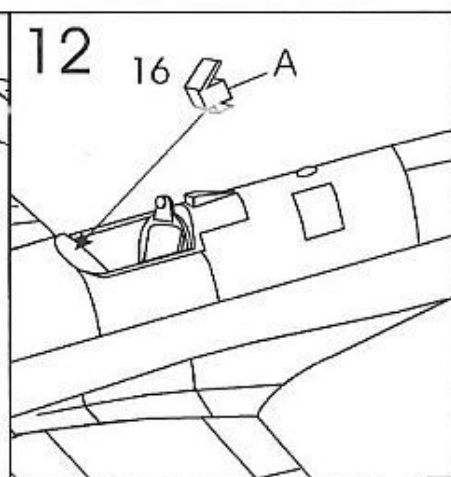
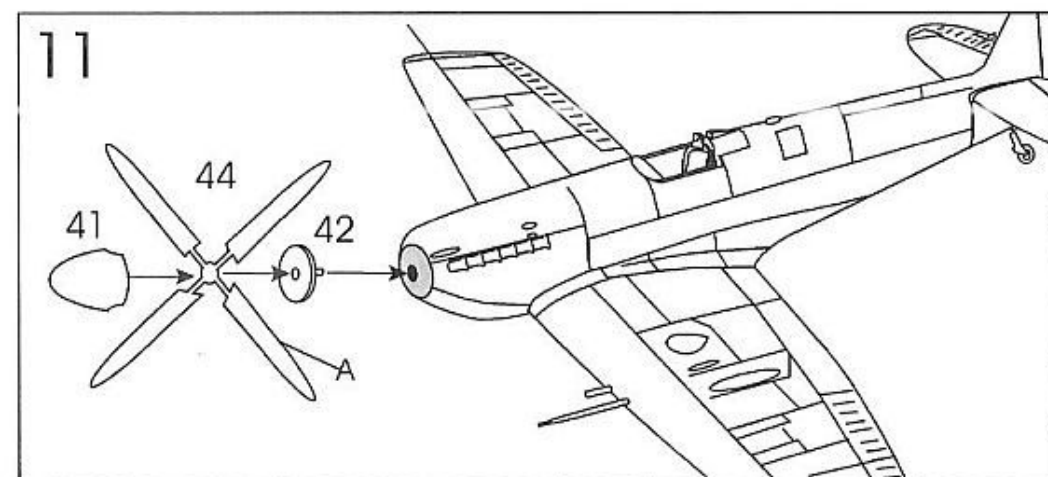
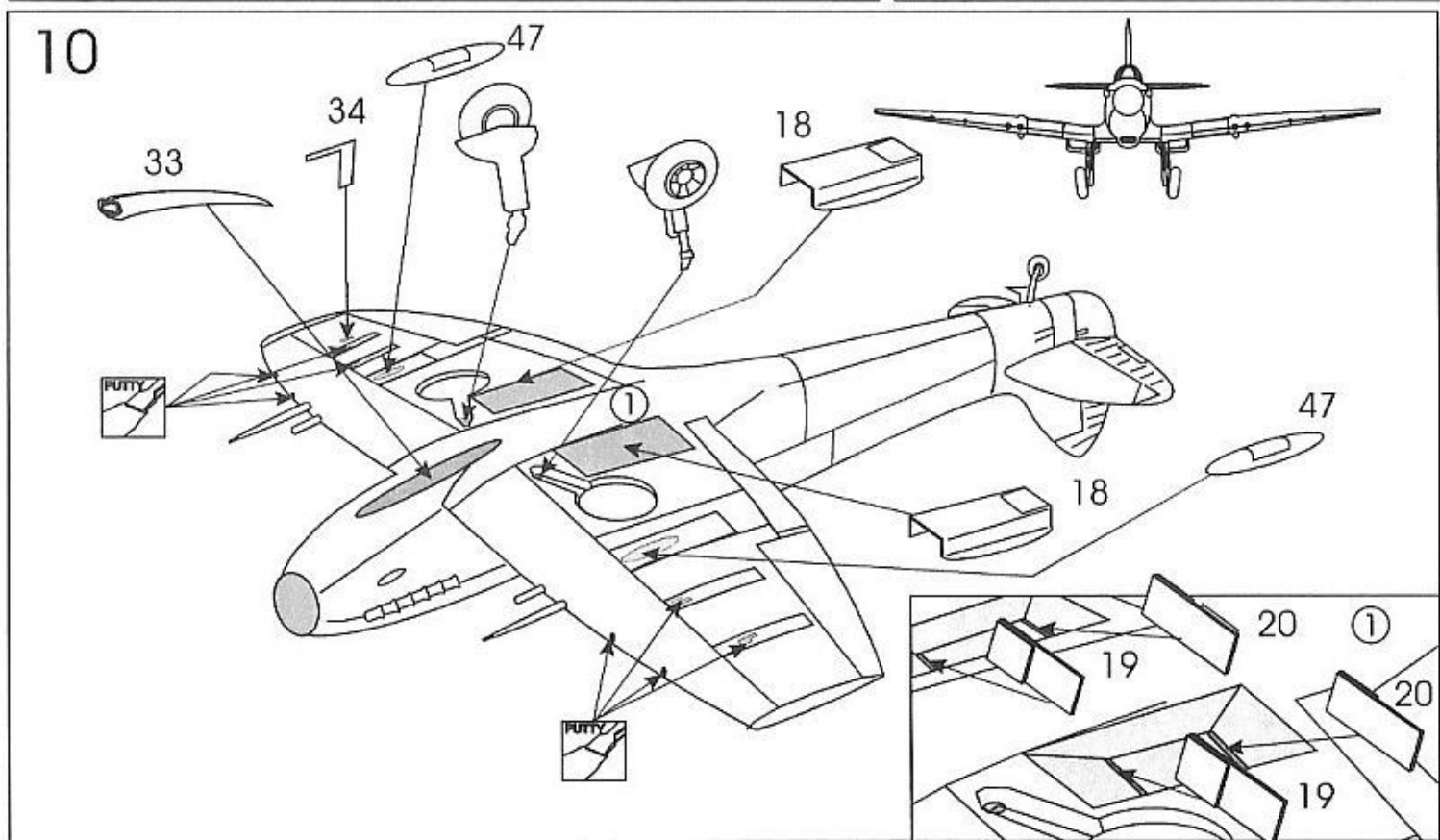
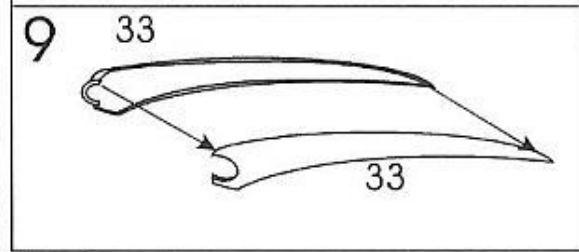
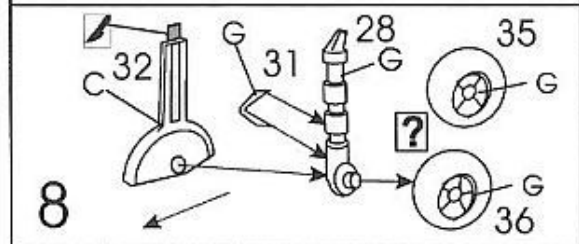
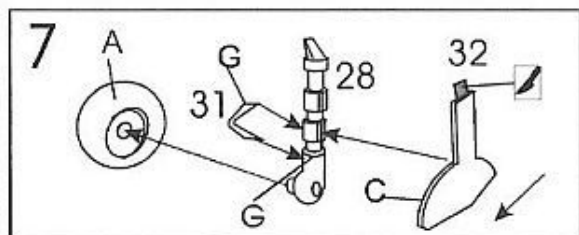
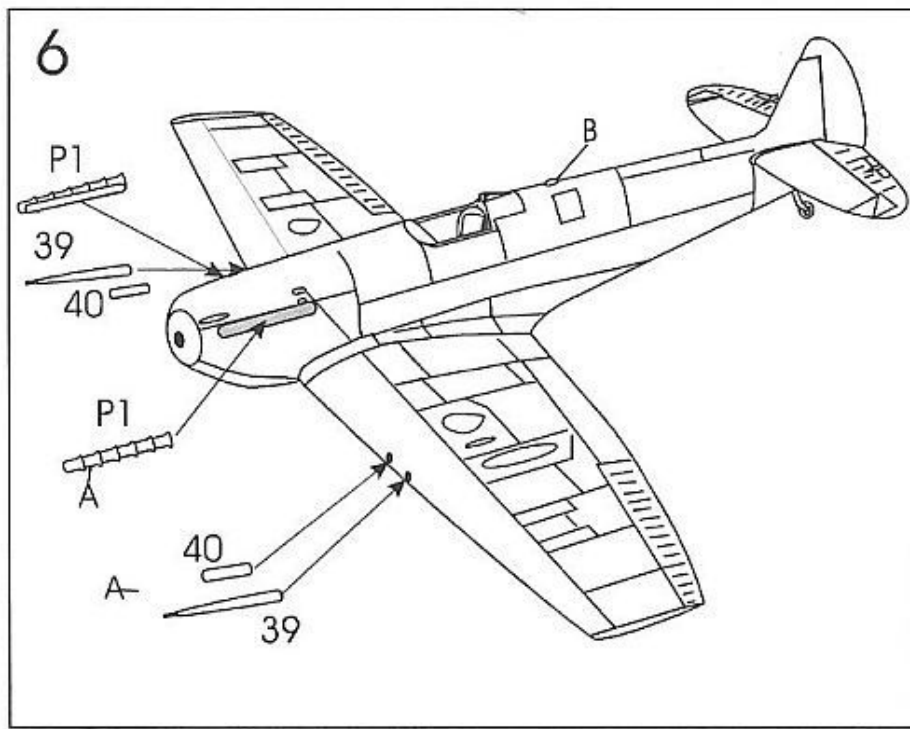
Transparent part



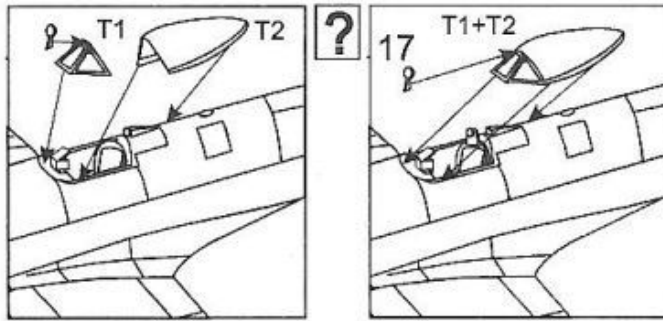
HUMBROL

	Colour name			Colour name	
A	Black	H 33	F	Desert Yellow	H 94
B	White	H34	G	Aluminium	H 56
C	Interior Green	H76	H	Brown	H 29
D	Light Grey	H64			
E	Dark Grey	H27			





13



Decals position: Supermarine Spitfire Mk XVI

