

SW 72132

scale 1/72 

TBM-3R

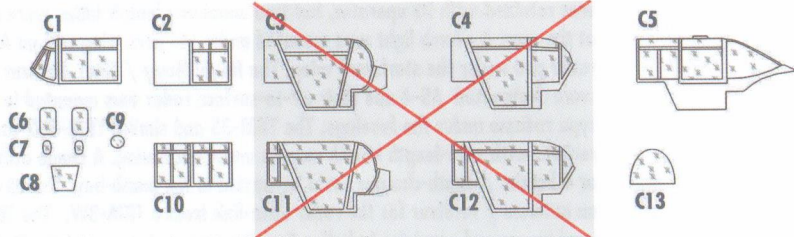
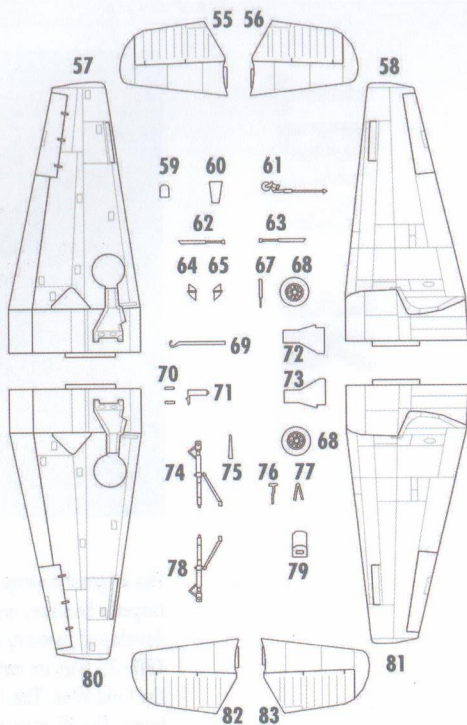
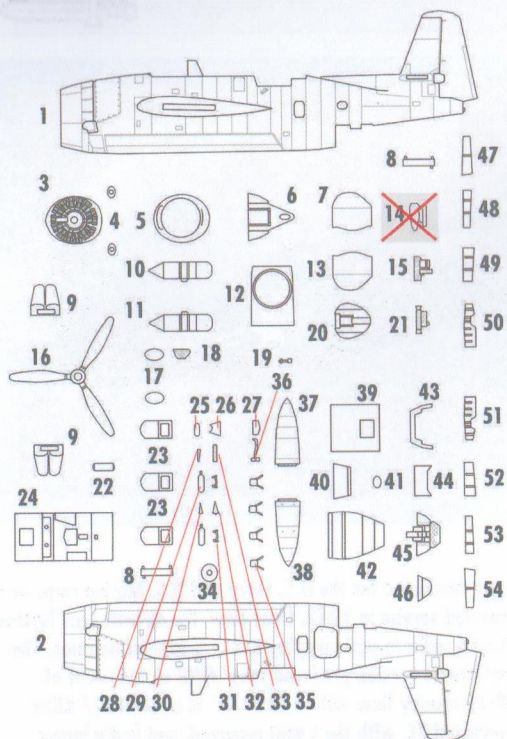


The original Avenger was developed for the U.S. Navy and U.S. Marine corp. as a torpedo bomber, and entered service in 1942. Over time the aircraft was further developed to carry airborne radar in anti-shipping and anti-submarine roles. The TBM-3S was an anti-submarine version produced post WWII at the onset of the Cold War. The TBM-3S usually flew with a TBM-3W as a 'Hunter / Killer' team. The 3S was a converted 3E, with the turret removed, and had a larger rear compartment housing a radar operator / navigator. The radio compartment was retained with its operator, but two sonobuoy launch tubes were installed at the rear. A search light was mounted under the port wing and an AN/APS-4 radar pod under the starboard wing. The Royal Navy / Fleet Air Arm aircraft were designated AS-4 and their air-to-surface radar was mounted in a 'dustbin' type radome under the fuselage. The TBM-3S and similar TBM-3S2 could carry rockets with zero-length launch mounts under each wing. A single acoustic torpedo or 4 bombs / depth-charges could be carried in the bomb-bay. The aircraft had an antenna / receiver for the radar data-link from a TBM-3W. The TBM-3S was used by several countries including Canada, France, Japan, and the Dutch. Details such as canopies and other components varied between countries.

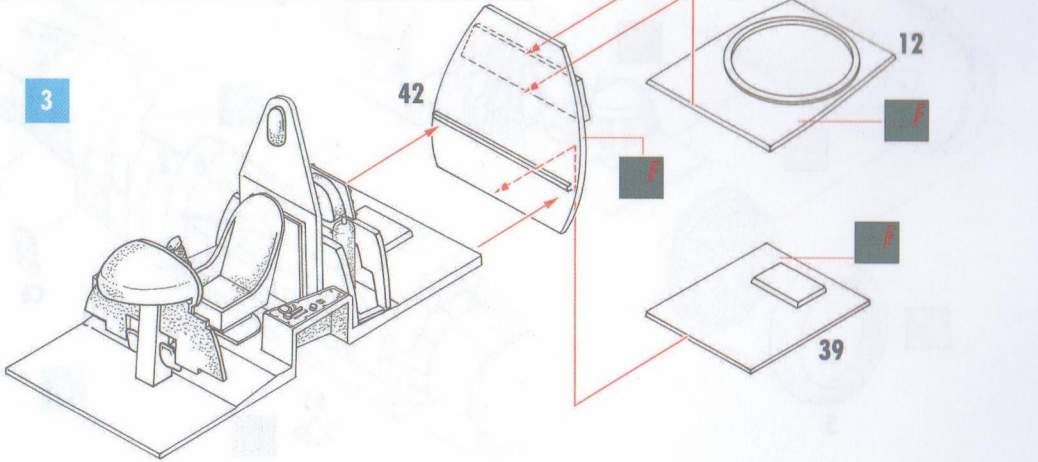
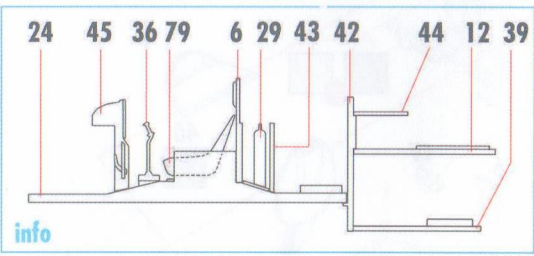
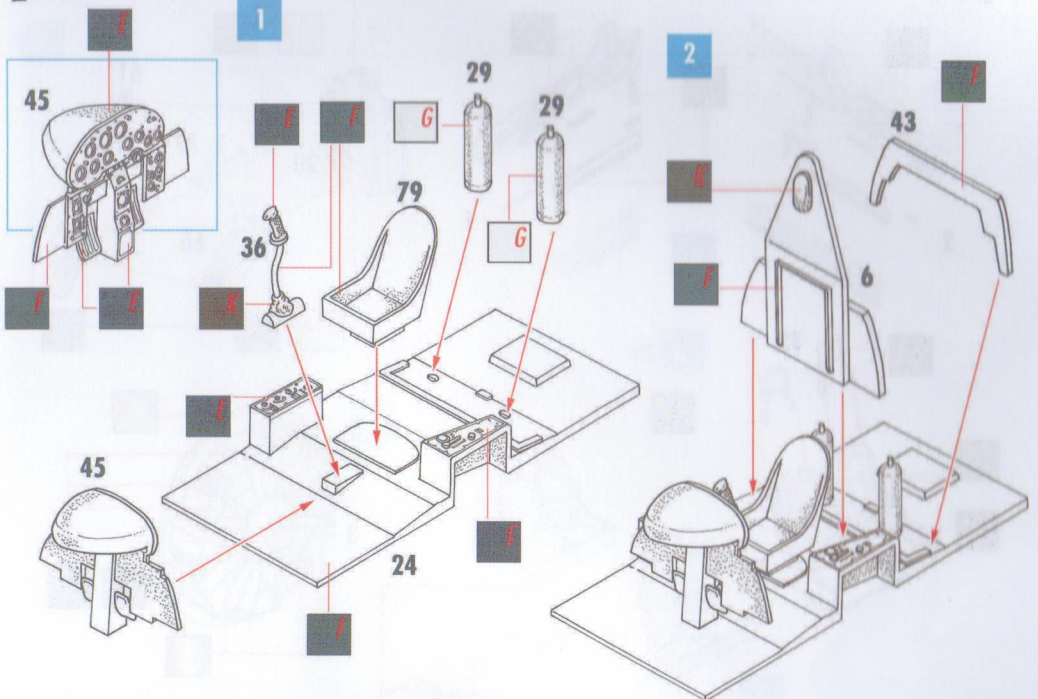
The TBM-R was a converted TBM-3W or TBM-3S. Combat gear was removed and the rear canopy either glazed or covered over. It was developed during the Korean War as a COD (carrier onboard delivery) and had seating for 7 passengers in the rear compartment. It could also carry stretchers in the bomb-bay, or a cargo basket which could quickly be exchanged on the ground or on deck.

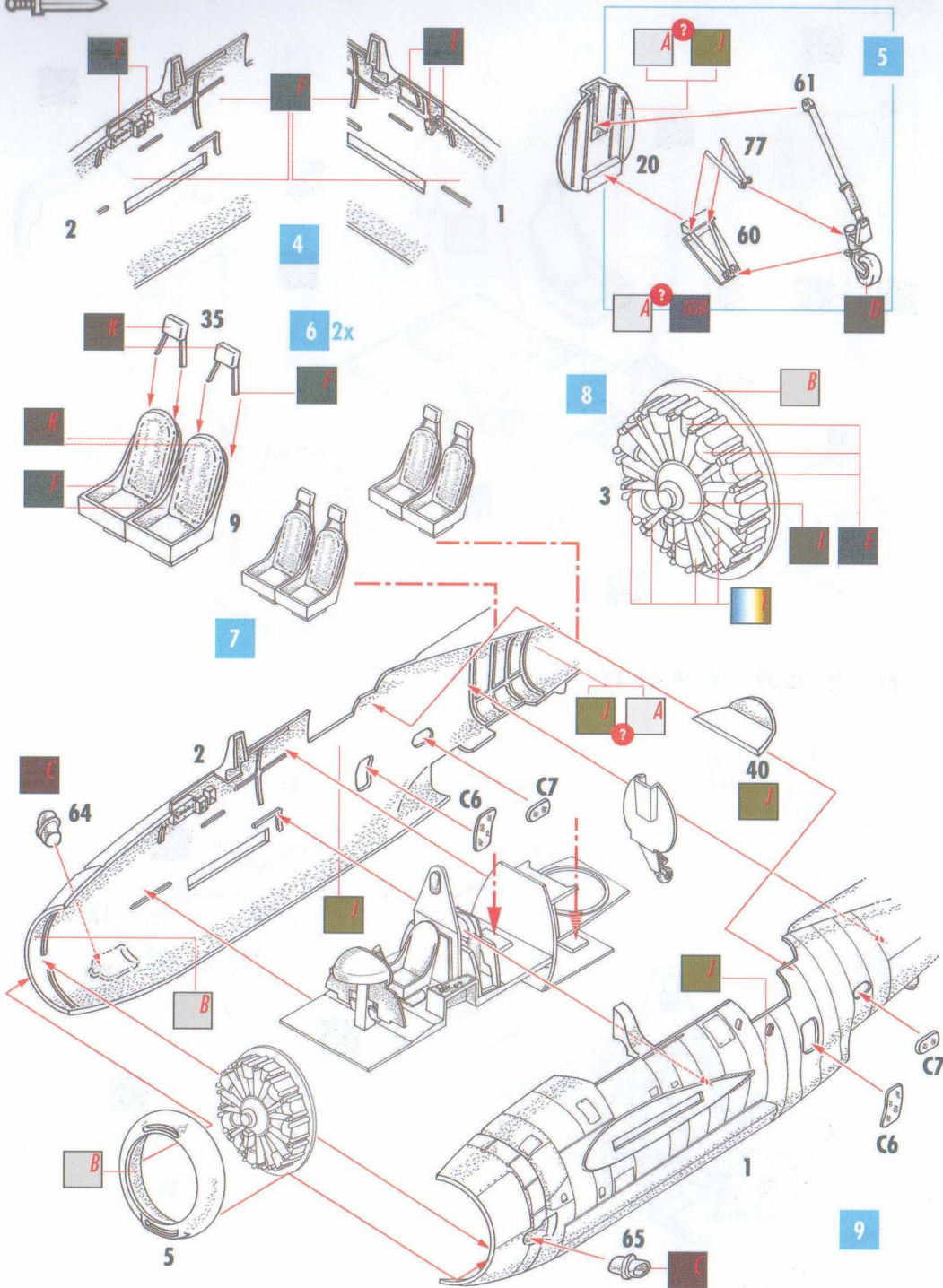
VISION SWORD s.r.o. Těšínská 288
739 34 Šenov
CZECH REPUBLIC

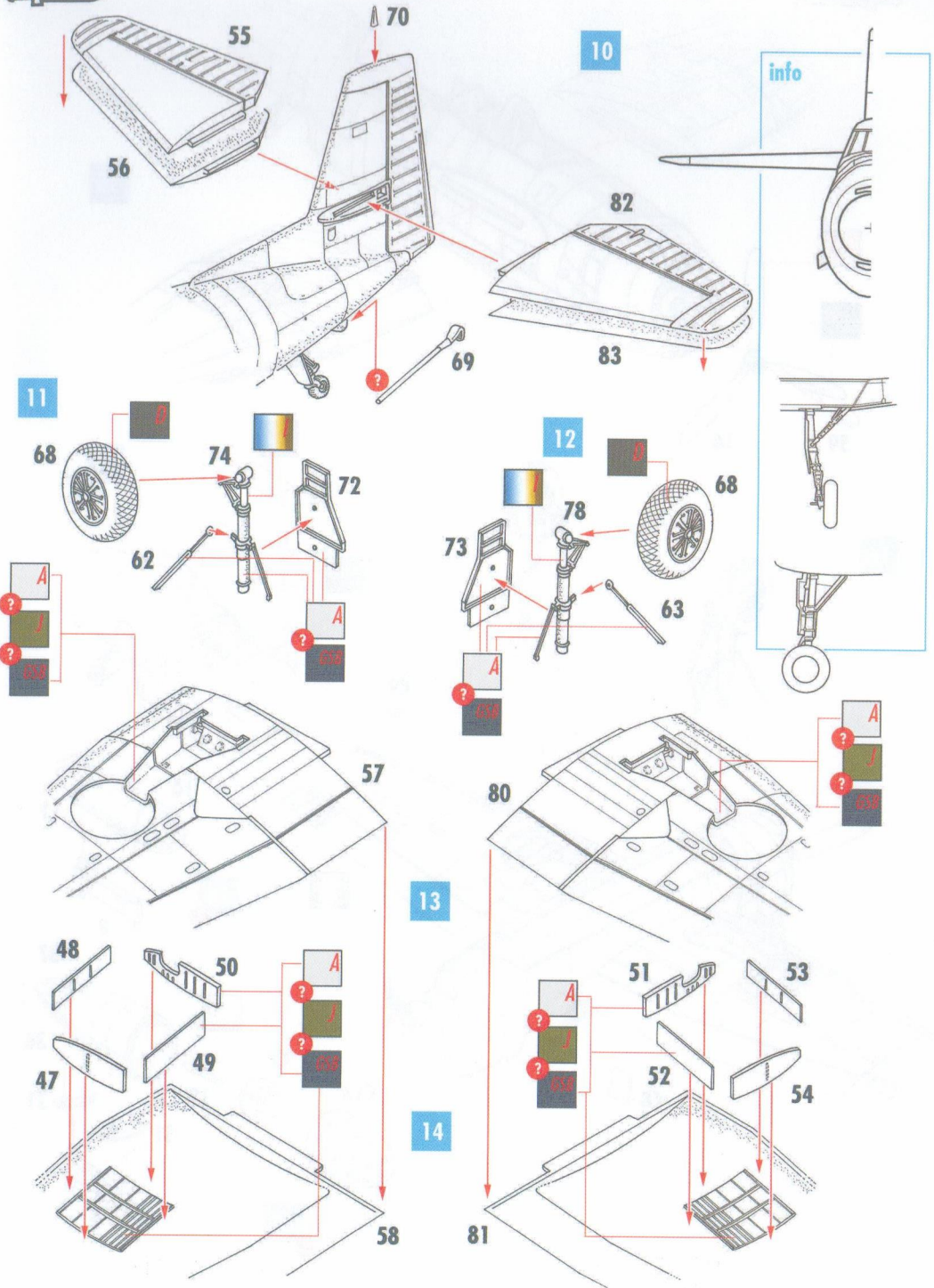
www.swordmodels.cz
e-mail: swordmodels@gmail.com

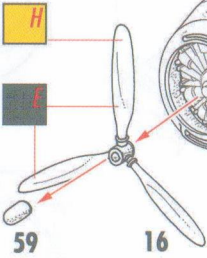
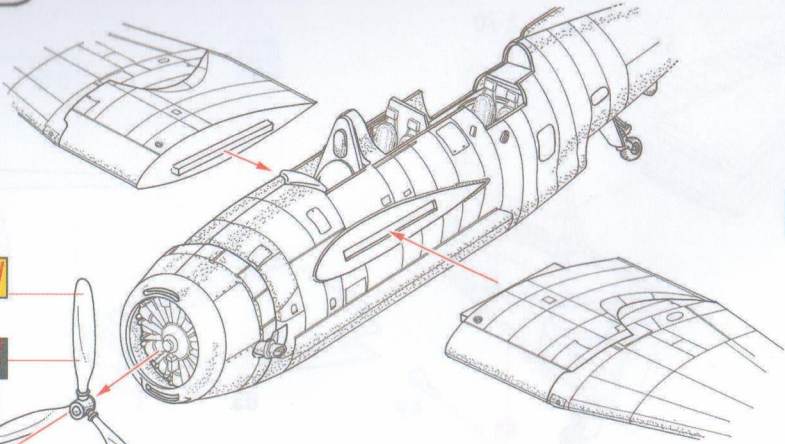


Gloss Sea Blue

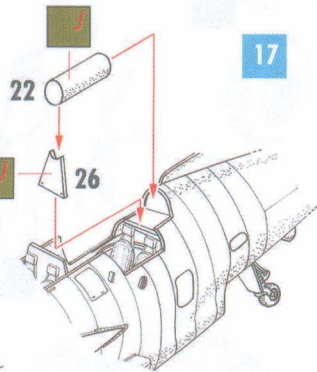
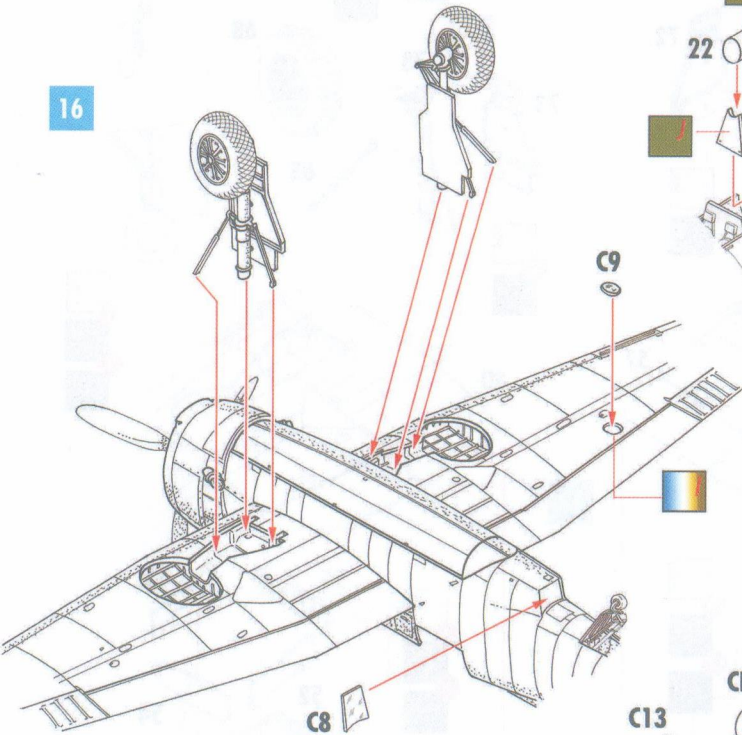




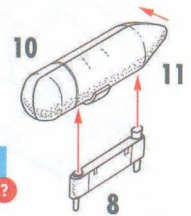




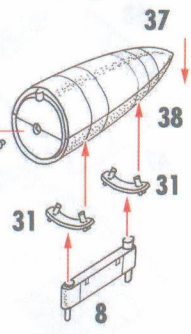
16



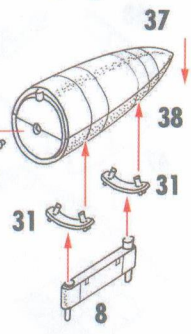
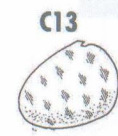
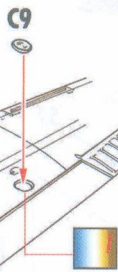
17



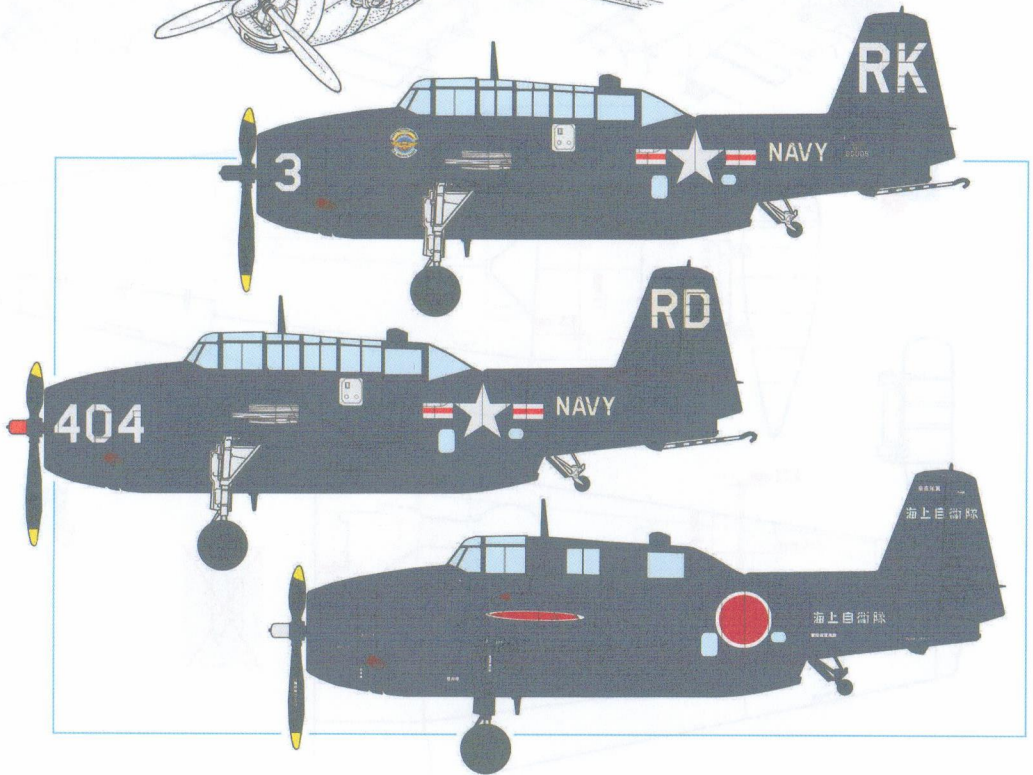
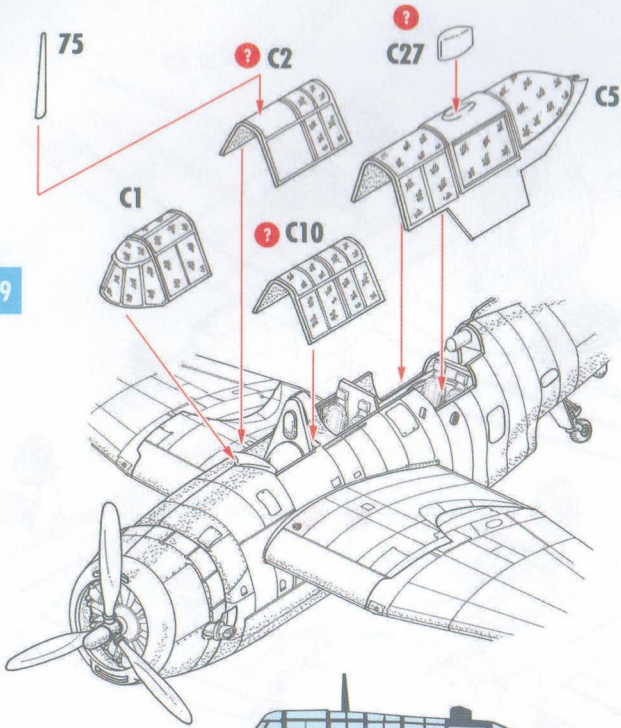
18 ?



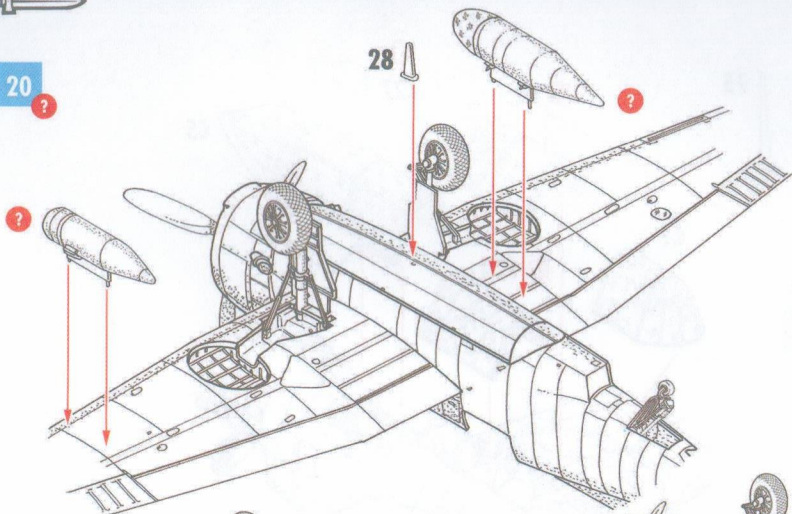
19 ?



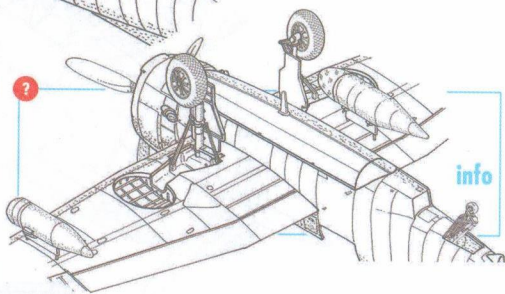
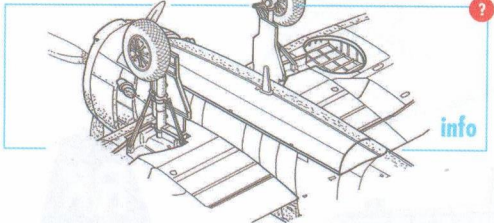
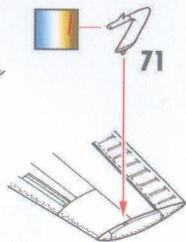
19



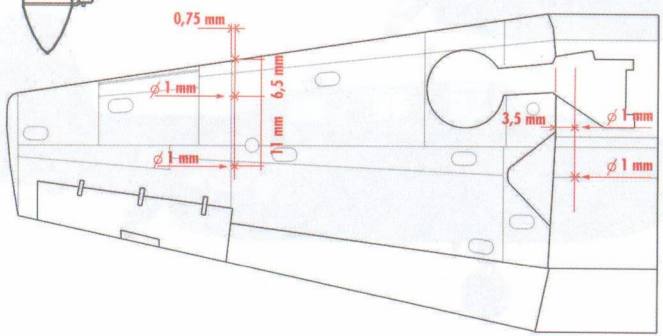
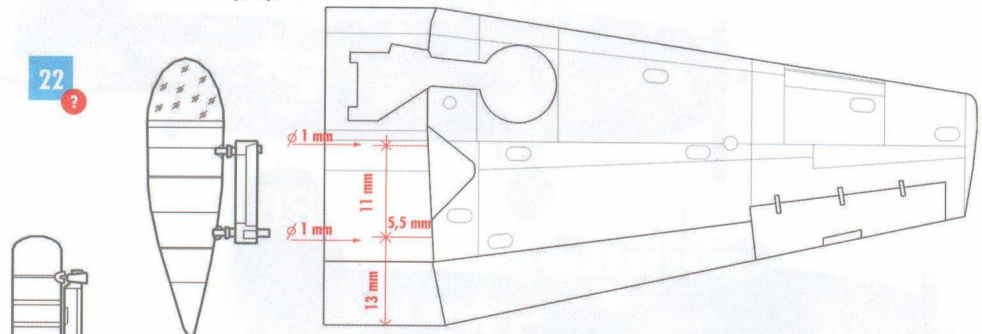
20 ?



21



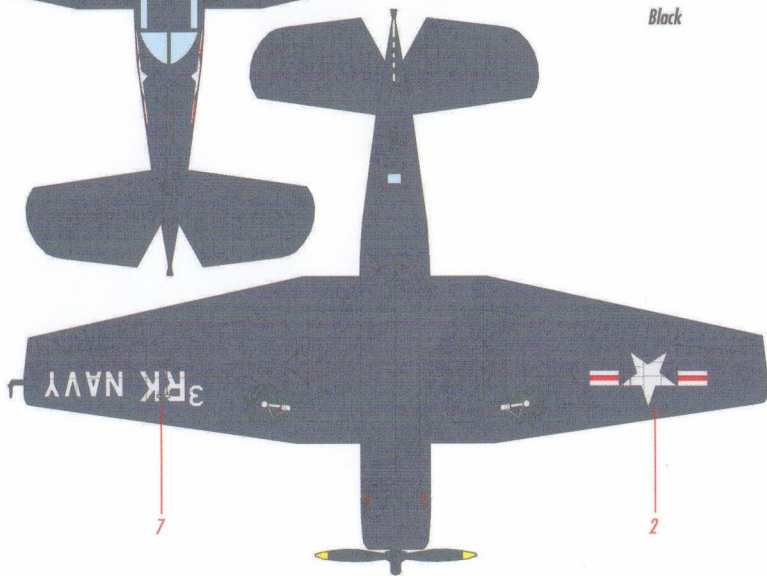
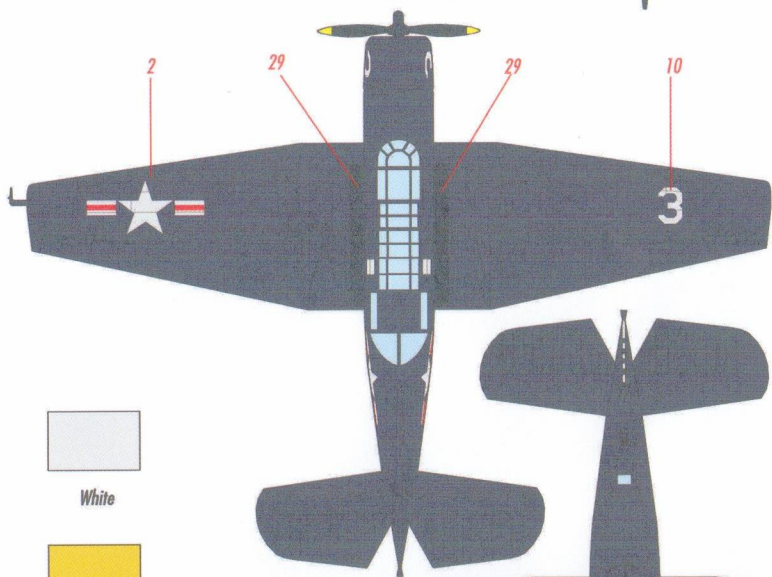
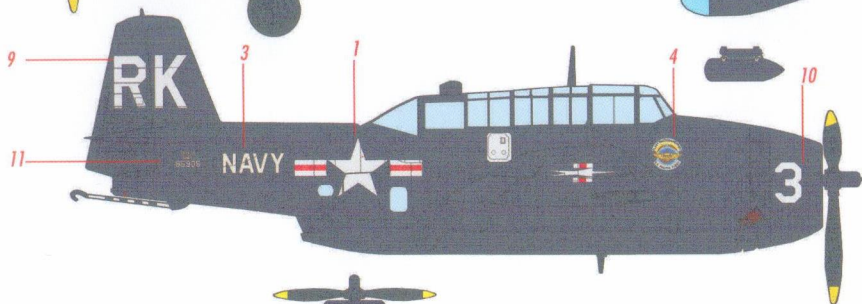
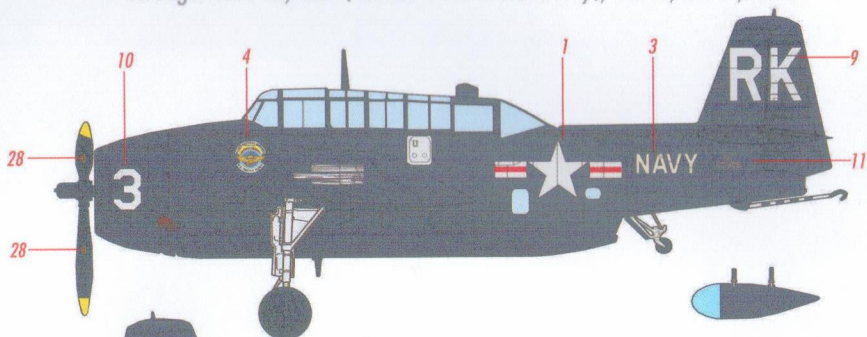
22 ?



23 ?



Avenger TBM-3R, COD (Carrier On board Delivery), VR-23, Korea, 1952



White



Yellow

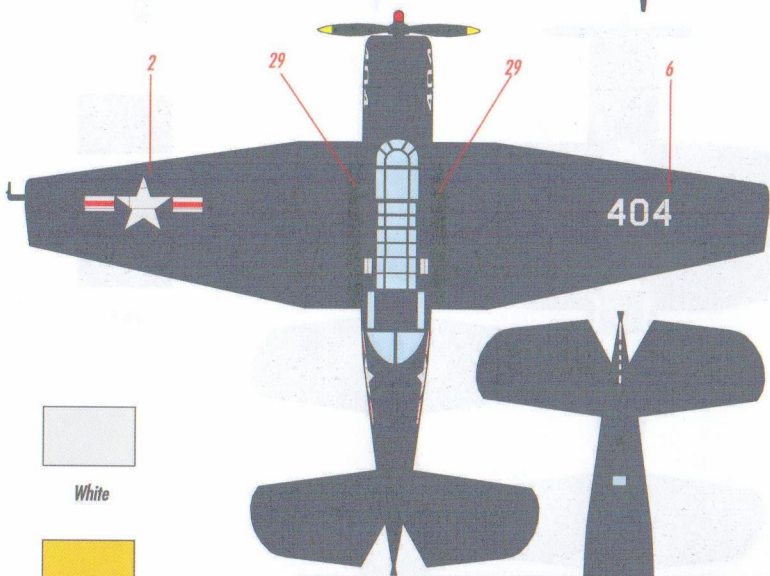
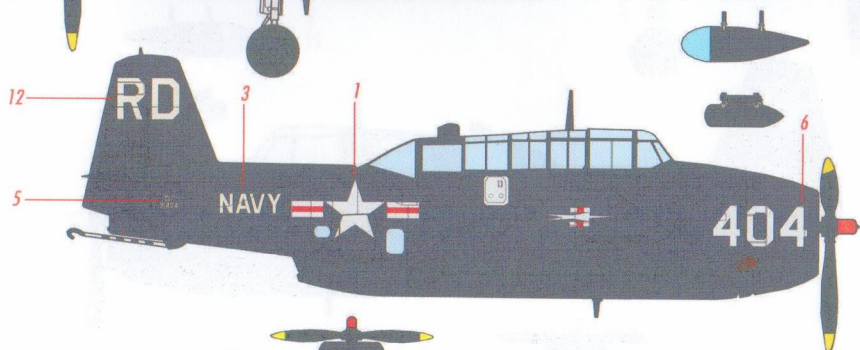
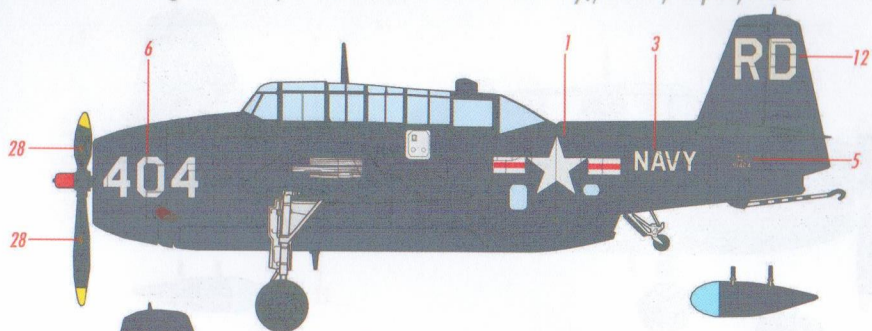


Gloss Sea Blue



Black

Avenger TBM-3R, COD (Carrier On board Delivery), VR-24, Naples, 1952



White



Yellow



Gloss Sea Blue



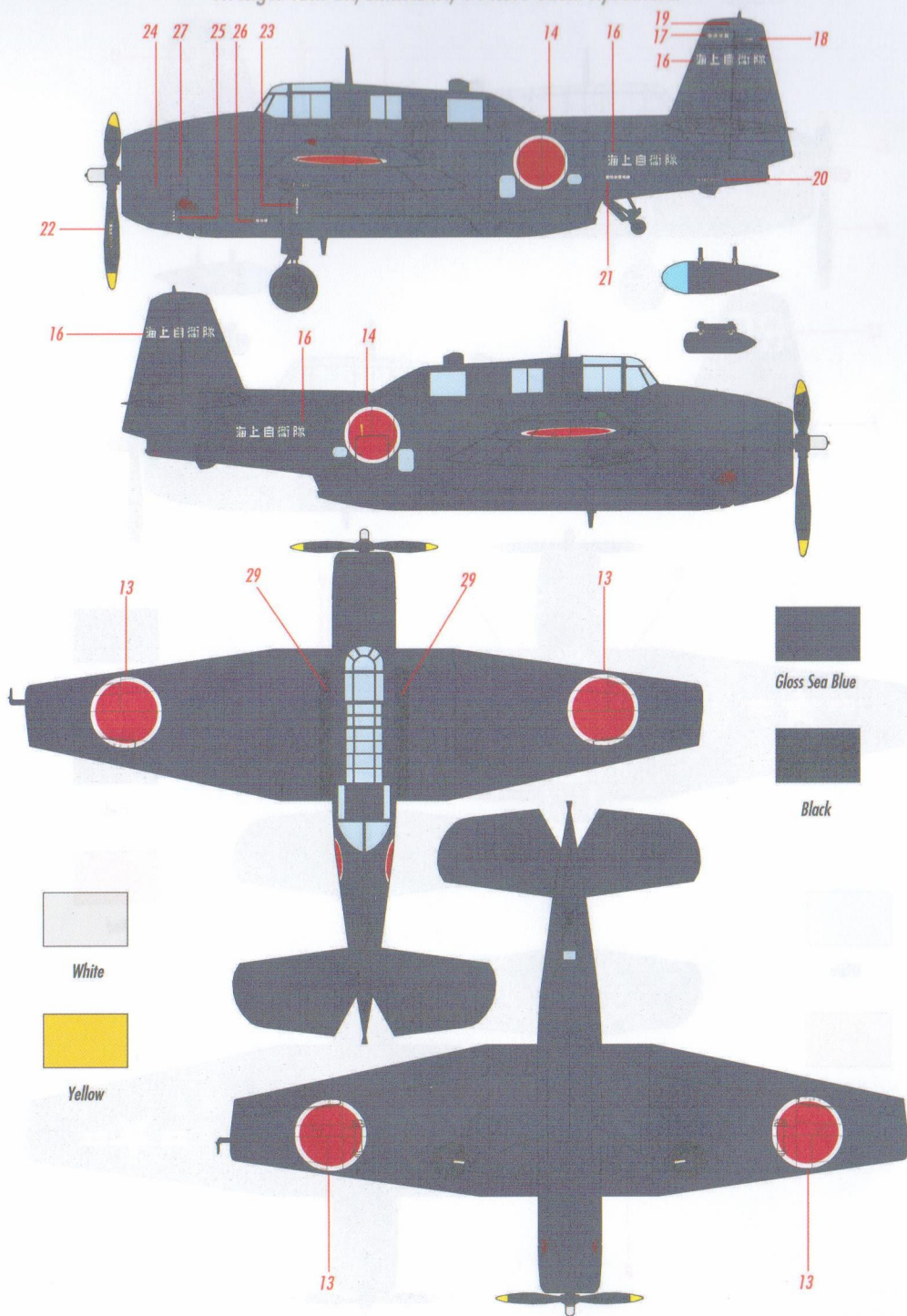
Black

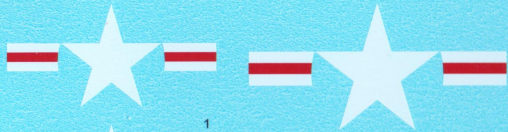


Red



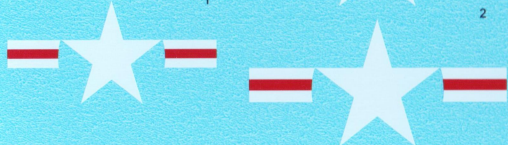
Avenger TBM-3R, J.M.S.D.F., 14 Kure-Saeki Kyouikutai





1

2



3

NAVY 404

NAVY 404

NAVY 404

NAVY 404

NAVY 404

RD

RD



TBM-3R
NAVY
91404

4

5



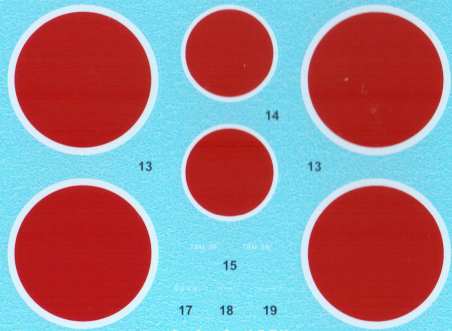
TBM-3R
NAVY
91404

12

TBM-3R
NAVY
85905

11

TBM-3R
NAVY
85905



13

14

13

15

17

18

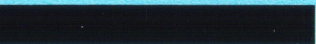
19

海上自衛隊

海上自衛隊

海上自衛隊

海上自衛隊



20

21



29

24

25

28

22

23

26

27

3 RK NAVY NAVY

7

8

RK 3 3 3

9

10

10



SW 72132 Grumman TBM-3R

PRINTED BY TECHMOD