

**eduard**

**LIMITED**  
EDITION



# ***MIg-21bis***

**INSTRUCTION SHEET**

**1/72**

2151-NAV 1

ATTENTION



UPOZORNĚNÍ



ACHTUNG



ATTENTION



注意



Carefully read instruction sheet before assembling. When you use glue or paint, do not use near open flame and use in well ventilated room. Keep out of reach of small children. Children must not be allowed to suck any part, or pull vinyl bag over the head.



Před započítím stavby si pečlivě prostudujte stavební návod. Při používání barev a lepidel pracujte v dobře větrané místnosti. Lepidla ani barvy nepoužívejte v blízkosti otevřeného ohně. Model není určen malým dětem, mohlo by dojít k požití drobných dílů.

INSTRUCTION SIGNS

\* INSTR. SYMBOLY

\* INSTRUKTION SINNBILDEN

\* SYMBOLES

\* 記号の説明

OPTIONAL  
VOLBABEND  
OHNOUTSAND  
BROUSITOPEN HOLE  
VYVRTAT OTVORSYMETRICAL ASSEMBLY  
SYMETRICKÁ MONTÁŽREMOVE  
ODŘÍZNOUTREVERSE SIDE  
OTOČITAPPLY EDUARD MASK  
AND PAINT  
POUŽÍT EDUARD MASK  
NABARVITPLEASE, CHECK THE LATEST VERSION OF THE INSTRUCTIONS ON [www.eduard.com](http://www.eduard.com)

PARTS



DÍLY



TEILE



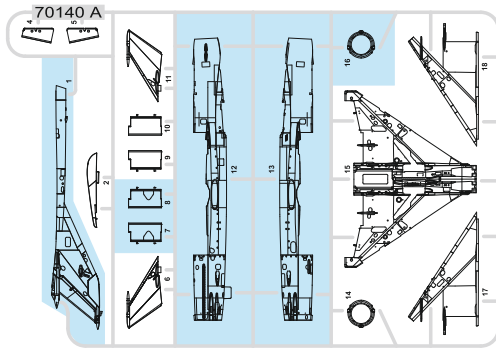
PIÈCES



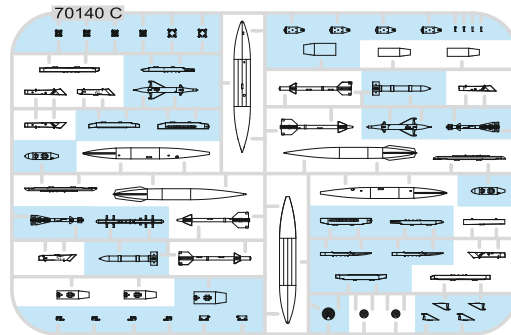
部品

## PLASTIC PARTS

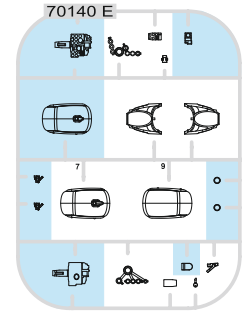
A&gt; 2 pcs.



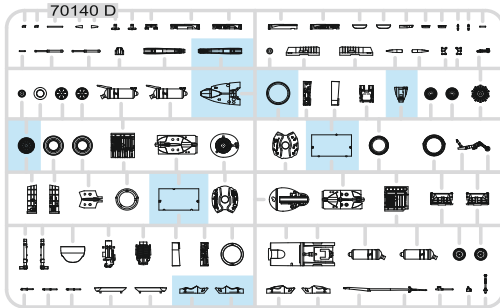
C&gt; 2 pcs.



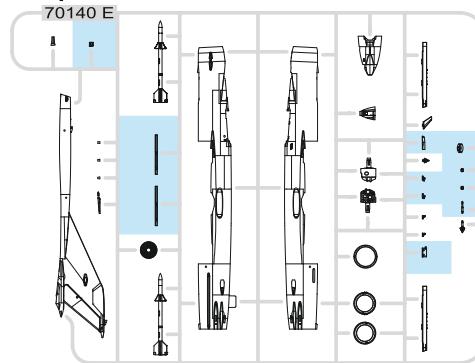
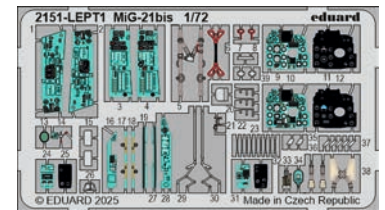
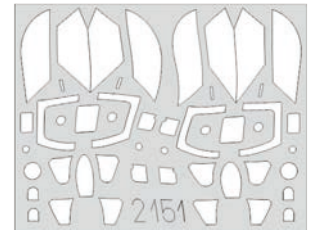
E&gt; 2 pcs.



D&gt; 2 pcs.



K&gt; 2 pcs.

PE - PHOTO ETCHED  
DETAIL PARTS 2 pcs.eduard  
MASK

-Parts not for use. -Teile werden nicht verwendet. -Pièces à ne pas utiliser. -Tyto díly nepoužívejte při stavbě. - 使用しない部品

COLOURS



BARVY



FARBEN



PEINTURE



色

GSI Creos (GUNZE)		
AQUEOUS	Mr.COLOR	
H1	C1	WHITE
H3	C3	RED
H4	C4	YELLOW
H5	C5	BLUE
H12	C33	FLAT BLACK
H26	C66	BRIGHT GREEN
H27	C44	TAN
H51	C11	LIGHT GULL GRAY
H52	C12	OLIVE DRAB
H53	C13	NEUTRAL GRAY
H67	C115	RLM65 LIGHT BLUE
H72	C369	DARK EARTH
H76	C61	BURNT IRON
H77	C137	TIRE BLACK
H84	C42	MAHOGANY
H90	C47	CLEAR RED
H94	C138	CLEAR GREEN
H302	C302	GREEN
H303	C303	GREEN
H305	C305	GRAY
H308	C308	GRAY

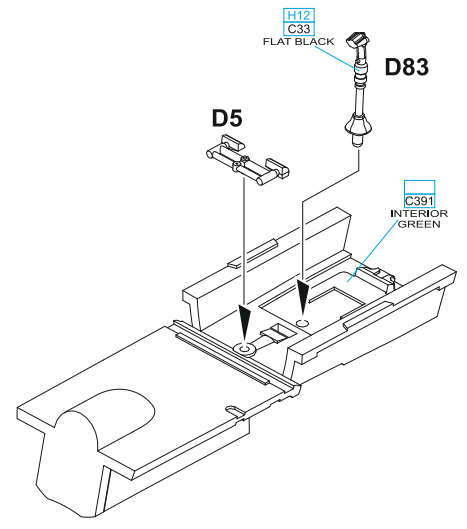
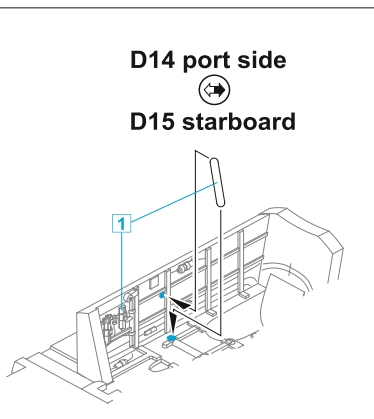
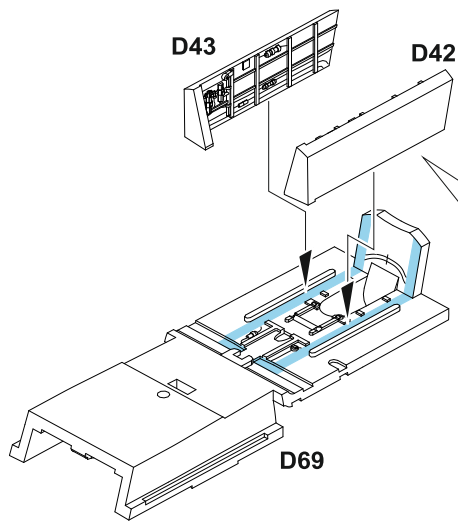
GSI Creos (GUNZE)		
AQUEOUS	Mr.COLOR	
H309	C309	GREEN
H310	C310	BROWN
H312	C312	YELLOW
H332	C332	LIGHT AIRCRAFT GRAY
H337	C337	GRAYISH BLUE
H338	C338	LIGHT GRAY
H413	C113	RLM04 YELLOW
H417	C117	RLM76 LIGHT BLUE
H418	C118	RLM78 LIGHT BLUE
	C131	RED BROWN
	C136	RUSSIAN GREEN
	C391	INTERIOR GREEN
	C511	GREEN
	C519	GREEN
Mr.COLOR SUPER METALLIC		
	SM201	SUPER FINE SILVER
	SM204	SUPER STAINLESS
	SM206	SUPER CHROME SILVER
	SM212	ALUMINIUM
Mr.COLOR GX		
	GX5	SUSIE BLUE

1 =

H51  
C11  
GRAY  
H67  
C115  
RLM65  
LIGHT BLUE

- MARKINGS **B, E, G, H, I, J**

- MARKINGS **A, C, D, F**

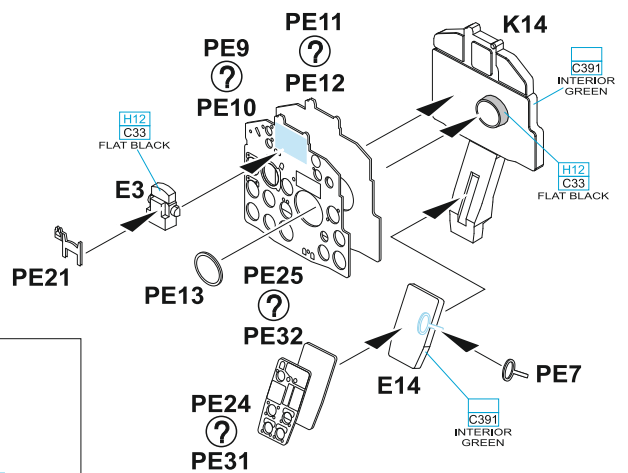
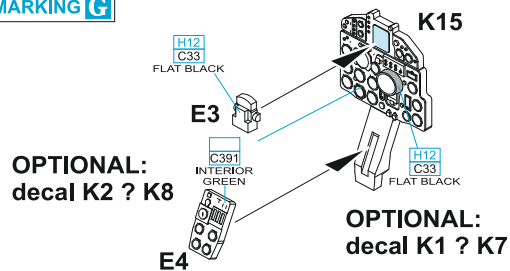


PE9, PE11 - MARKINGS **A, B, C, D, E, F, H, I, J**

PE10, PE12 - MARKING **G**

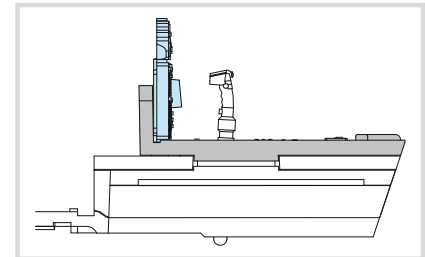
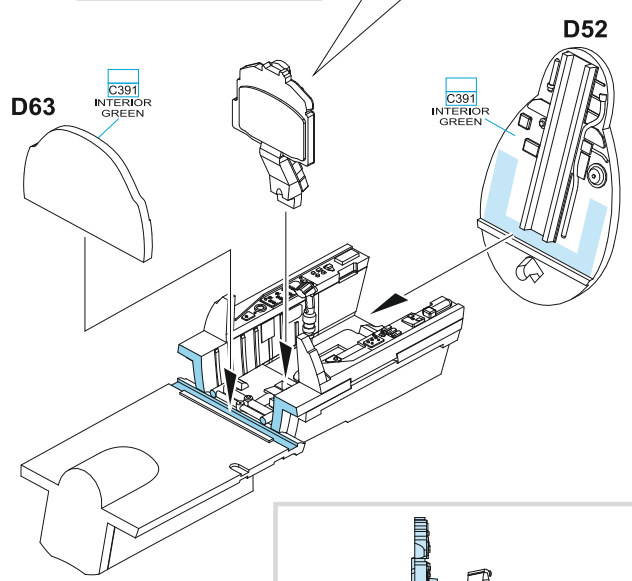
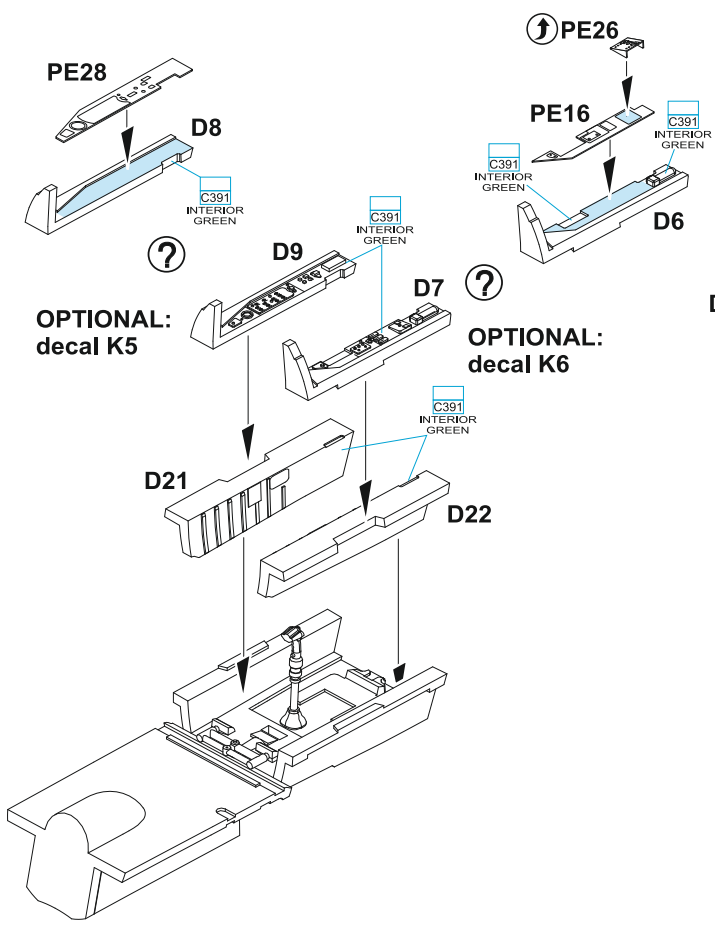
K1, K2 - MARKINGS **A, B, C, D, E, F, H, I, J**

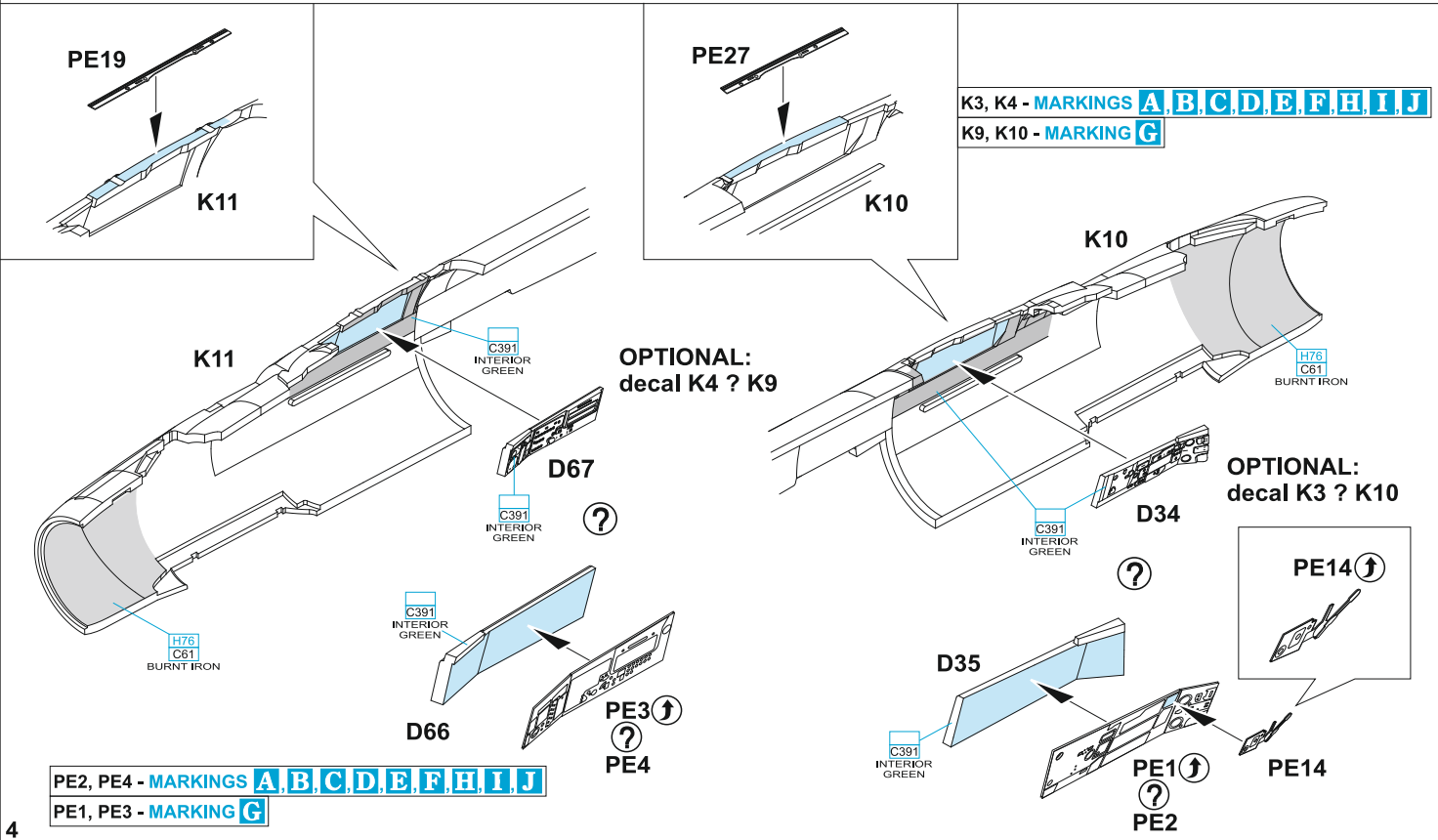
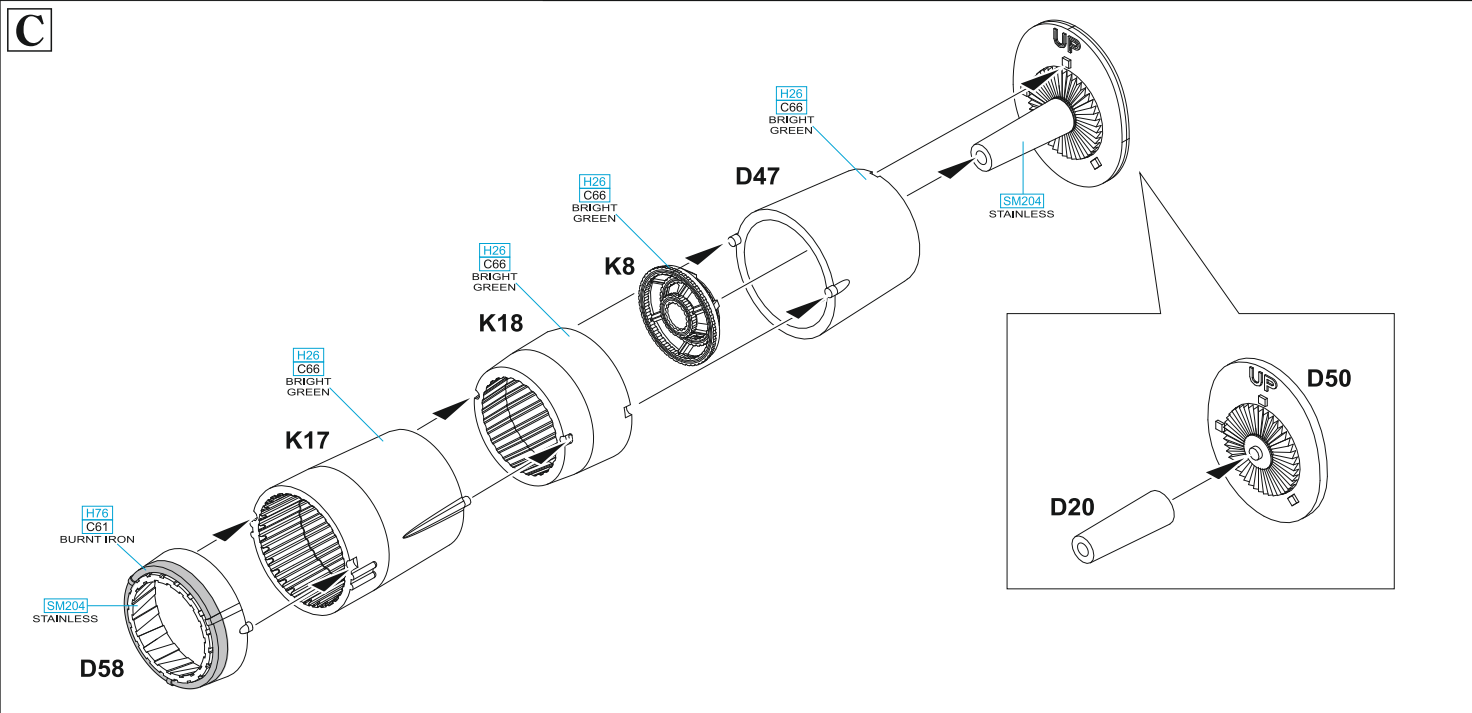
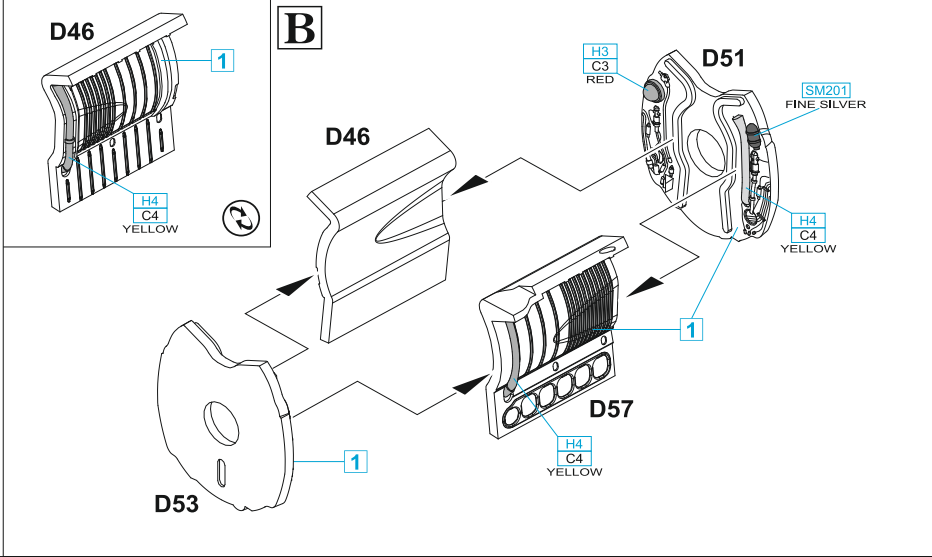
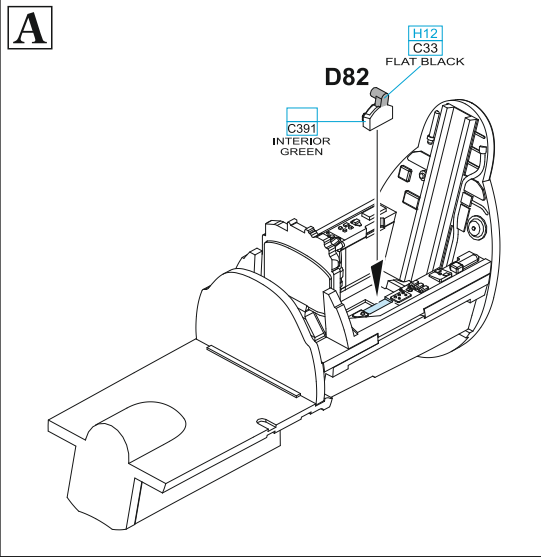
K7, K8 - MARKING **G**



PE31, PE32 - MARKINGS **A, B, C, D, E, F, H, I, J**

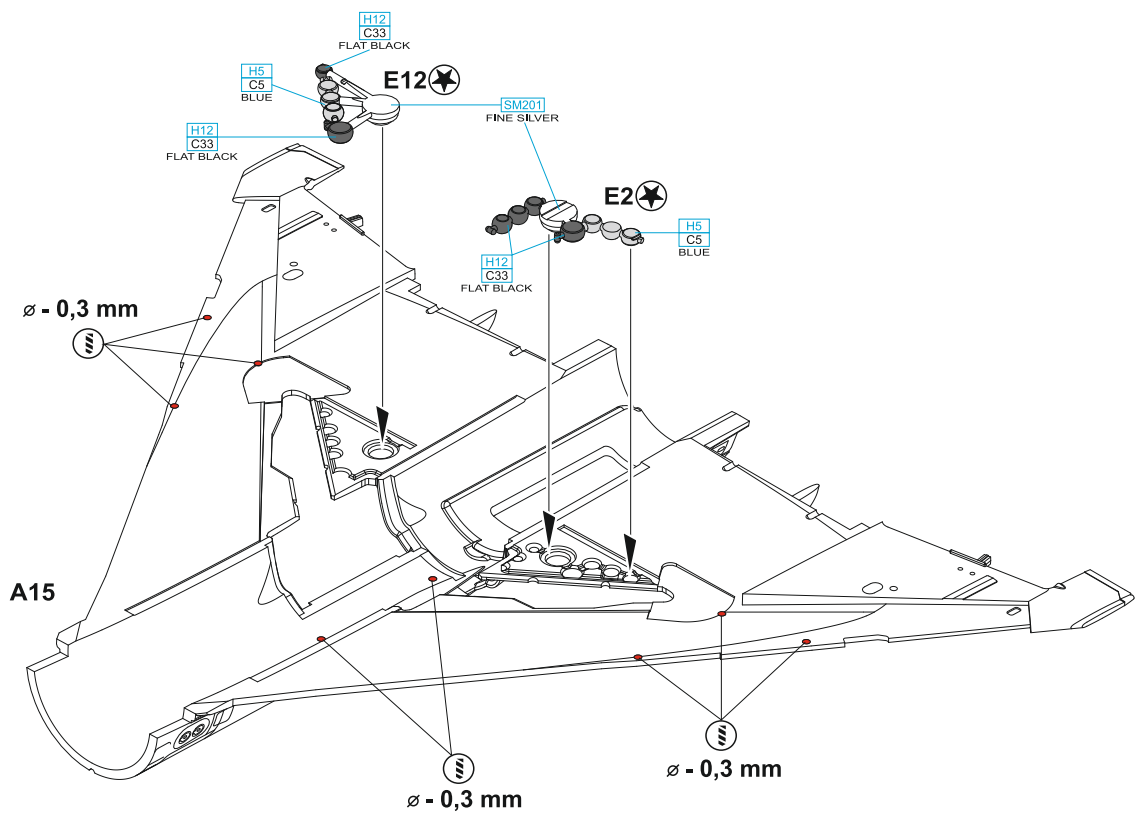
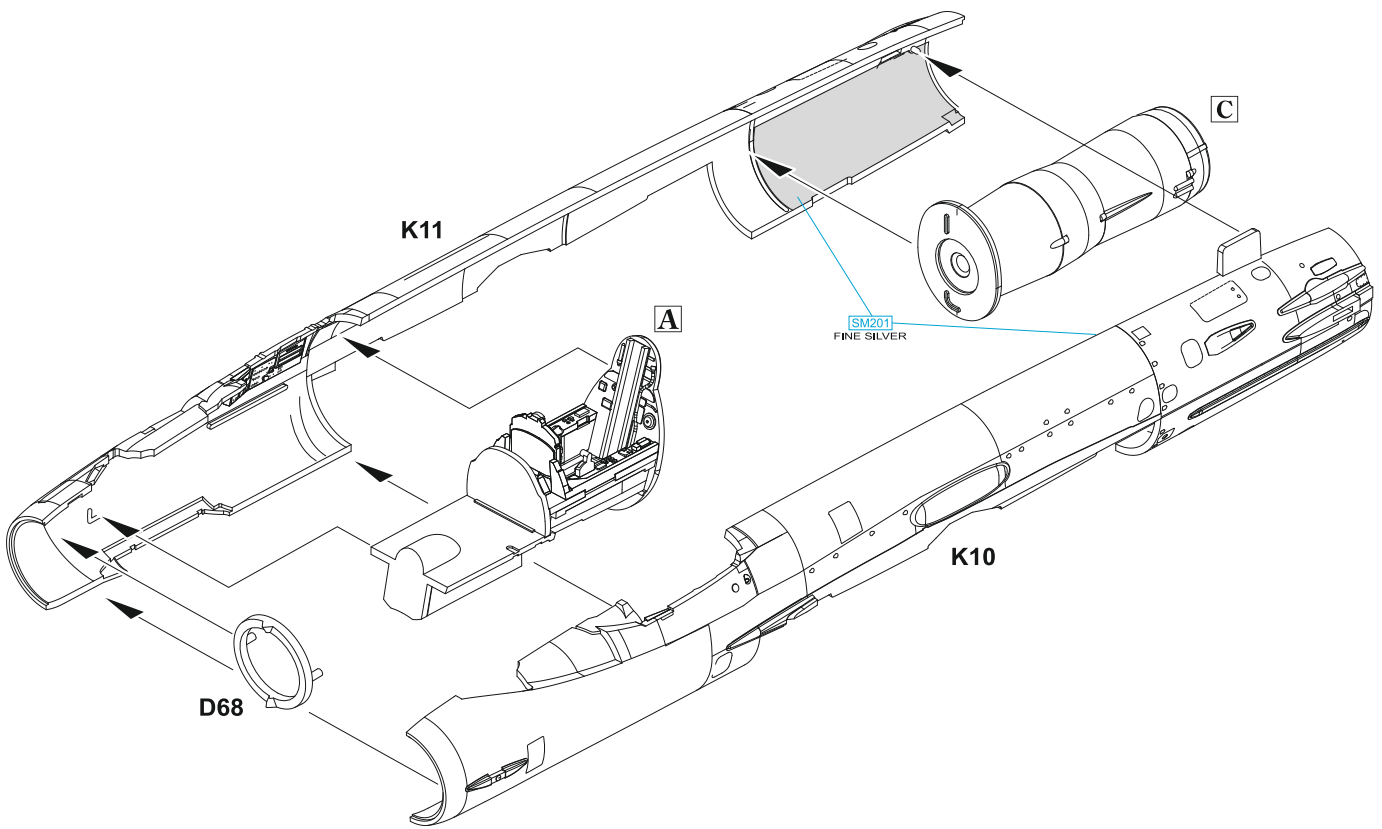
PE24, PE25 - MARKING **G**

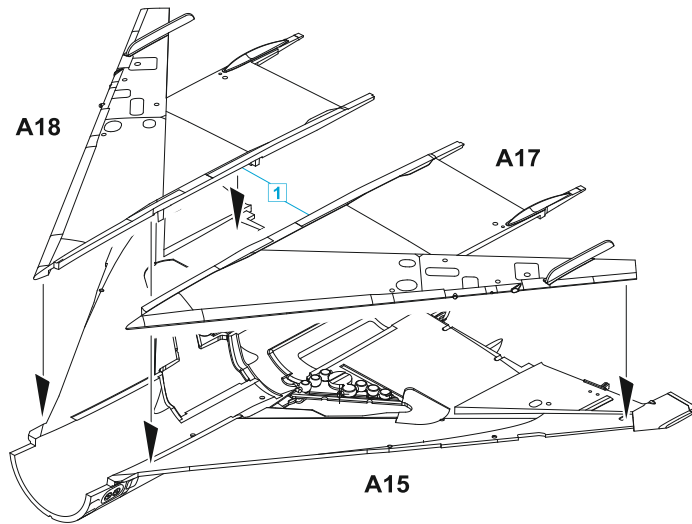




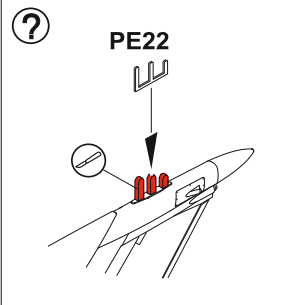
PE2, PE4 - MARKINGS **A, B, C, D, E, F, H, I, J**

PE1, PE3 - MARKING **G**



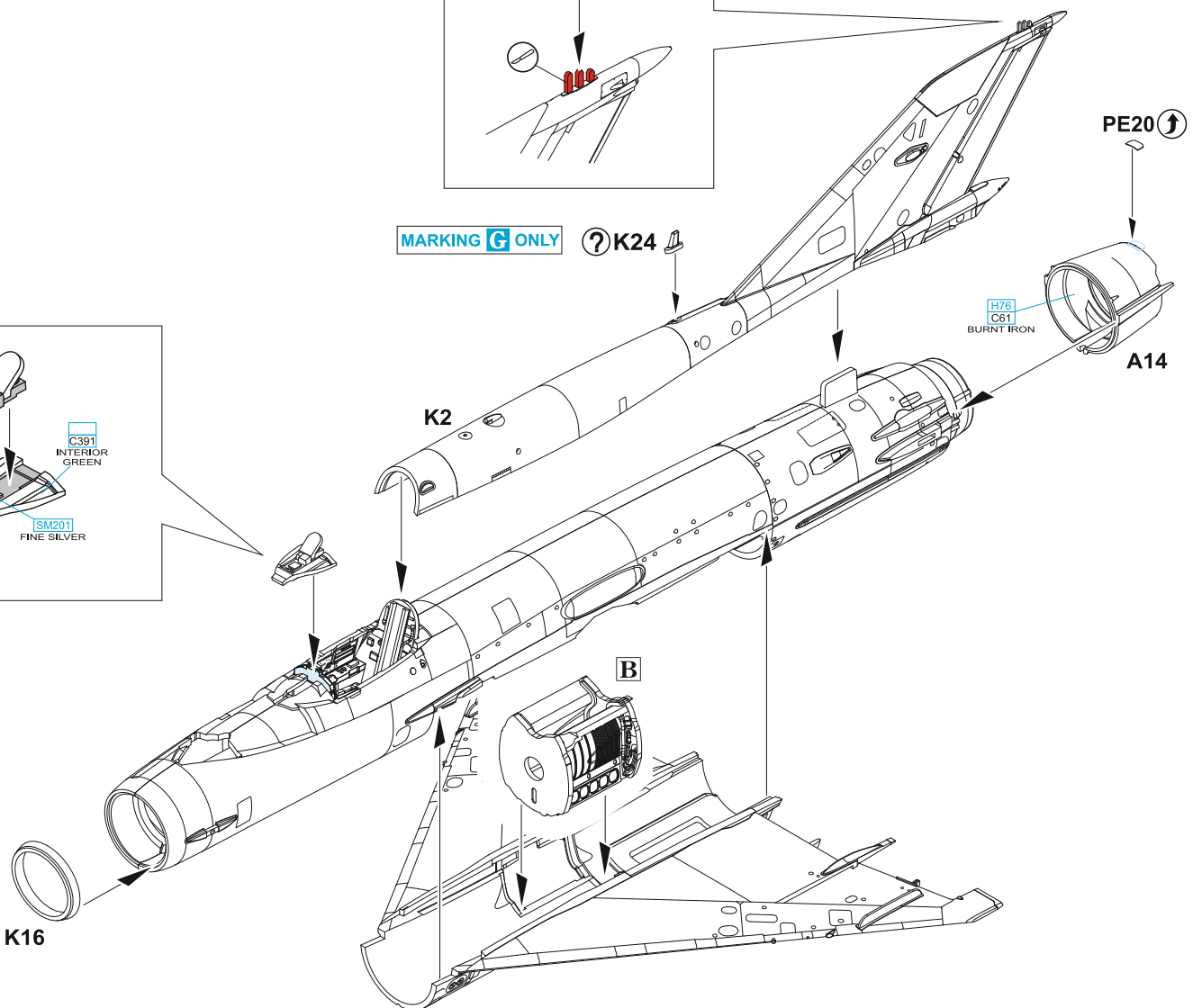
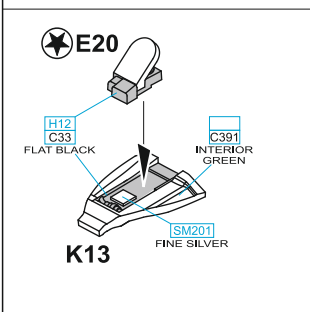


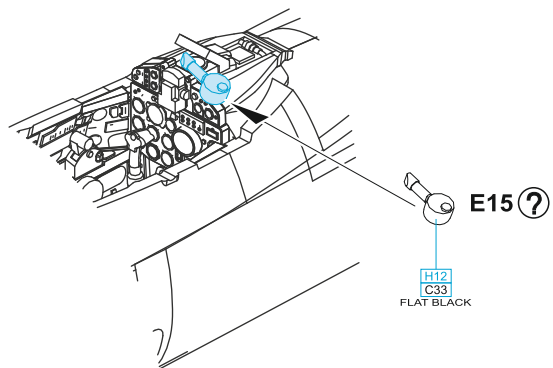
PE31 - MARKINGS **A, B, C, D, E, F, H, I** ONLY



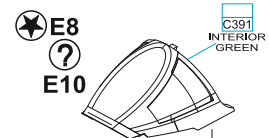
MARKING **G** ONLY

? K24





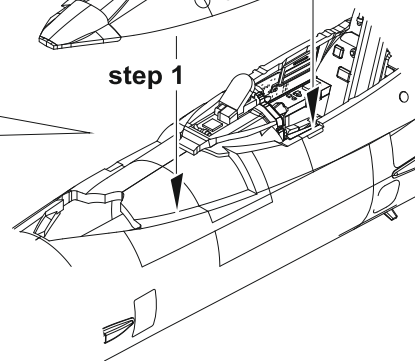
E15 - MARKINGS **A, B, C, D, E, F, H, I** ONLY



K12

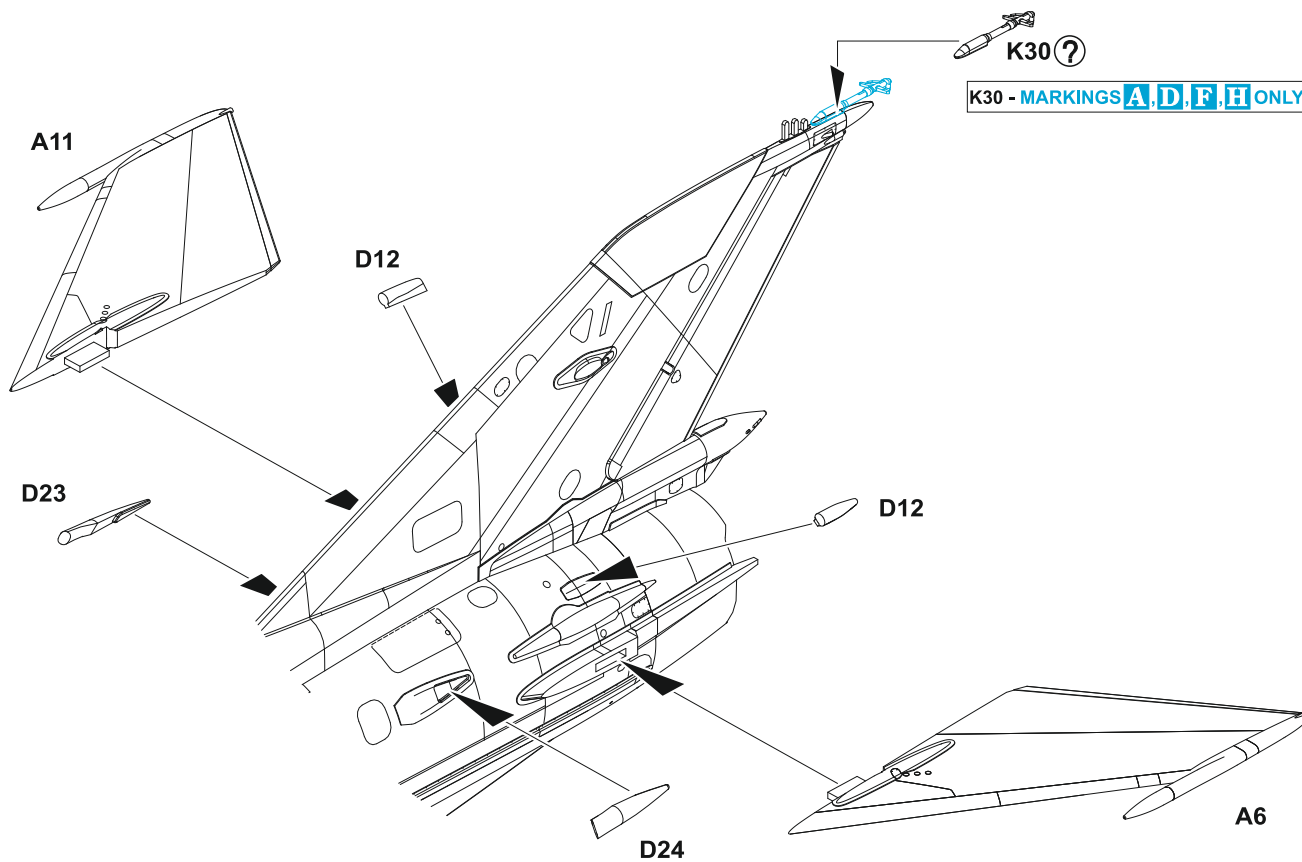
step 2

step 1

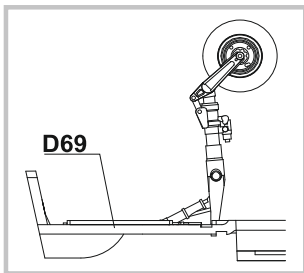
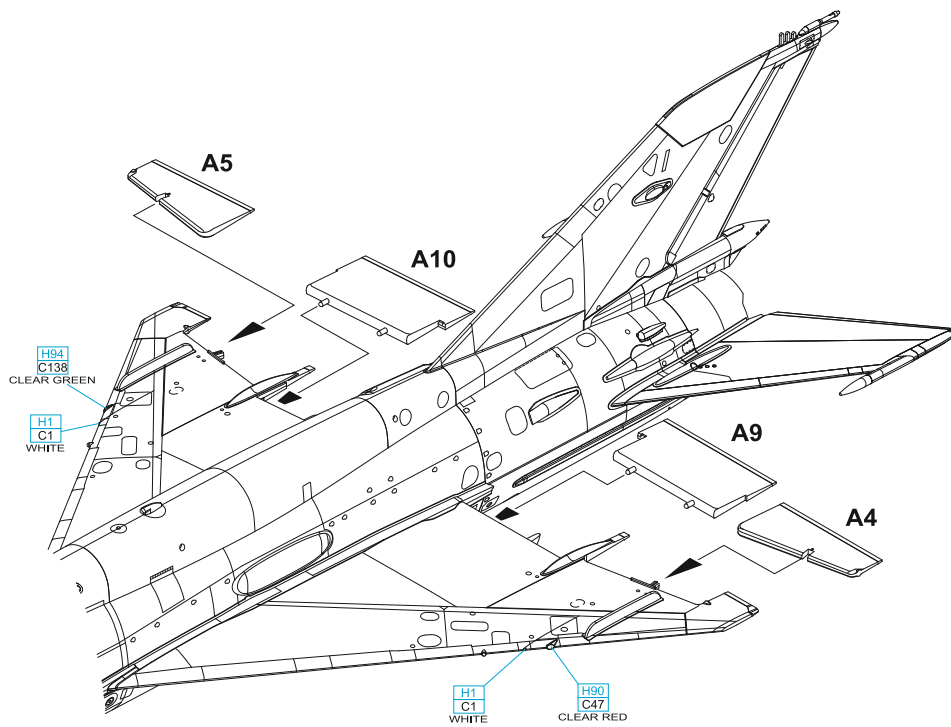


E10 - MARKINGS **A, B, E, F, G, J**

E8 - MARKINGS **C, D, H, I**



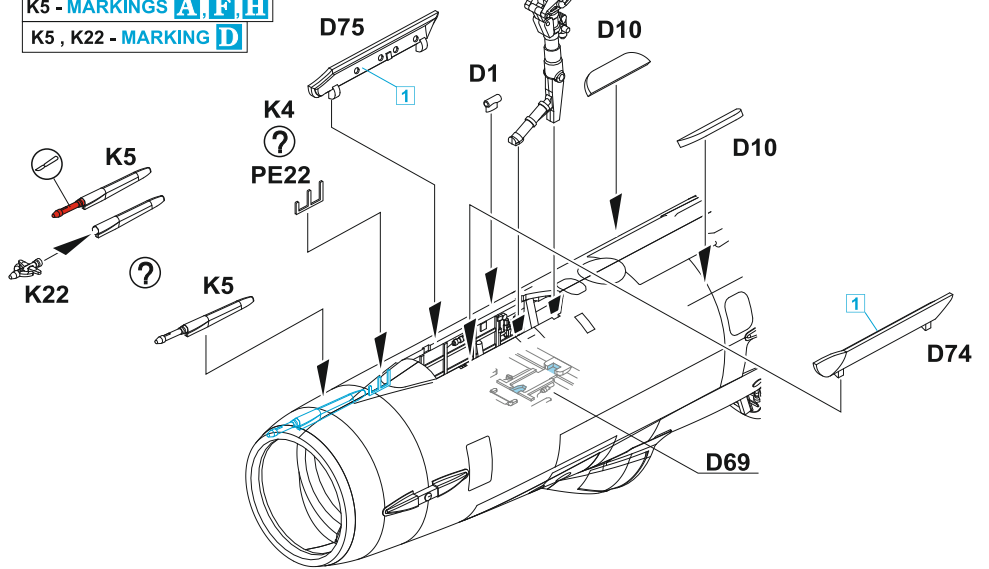
K30 - MARKINGS **A, D, F, H** ONLY



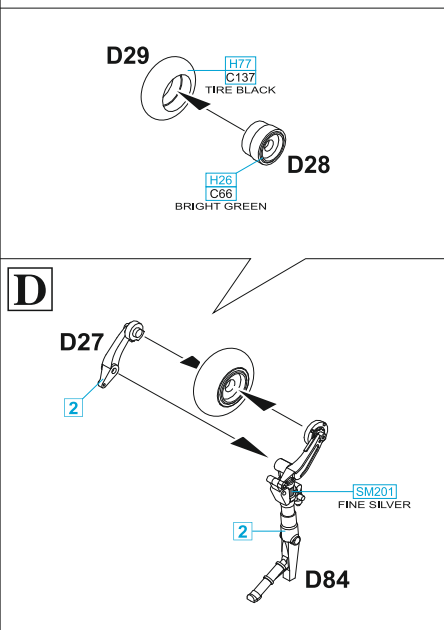
**2** =

- H67 - MARKINGS **A, C, D, E, F, G**
- C115 RLM65 LIGHT BLUE
- H51 C11 GRAY
- H51 C11 GRAY

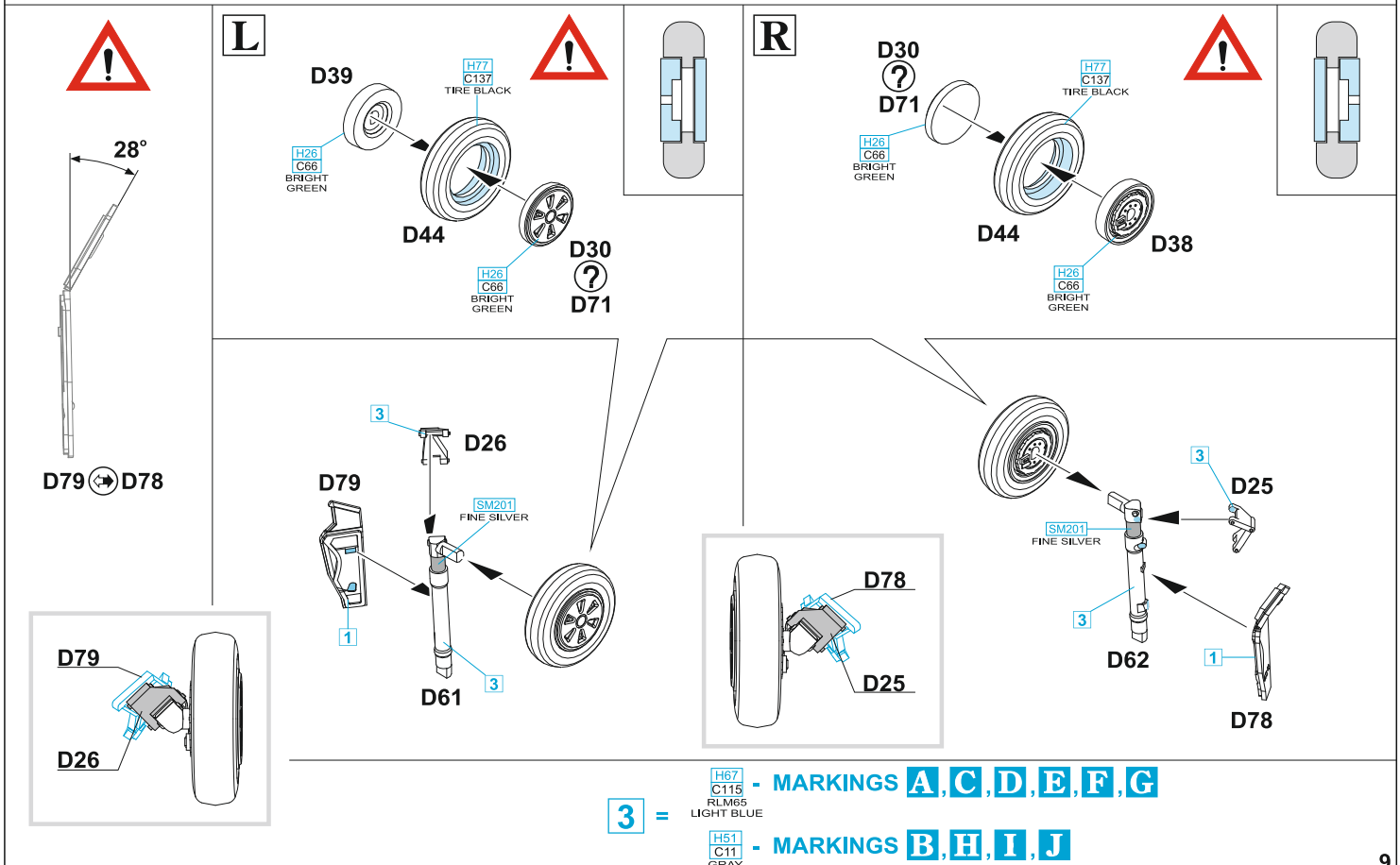
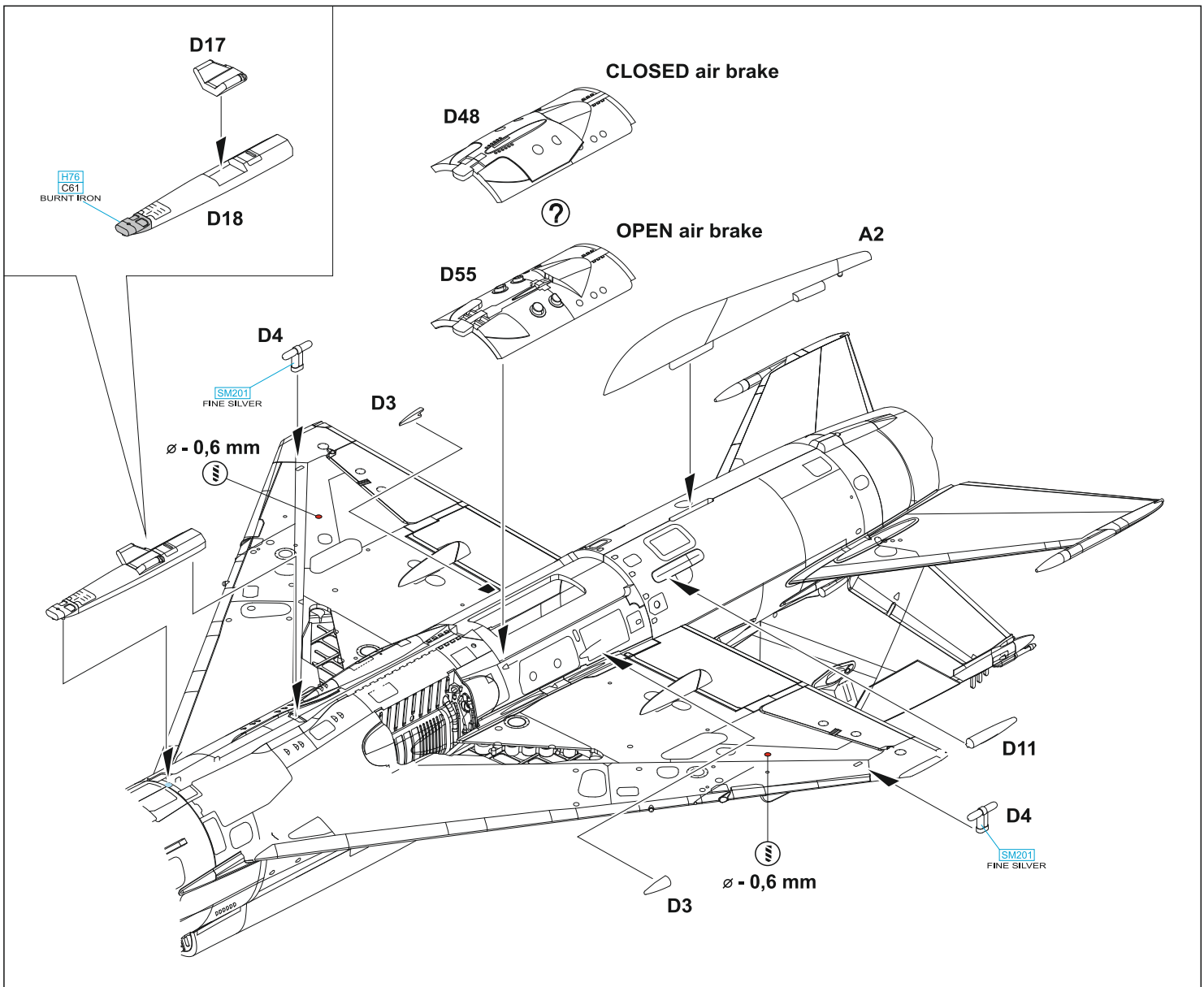
**K5 - MARKINGS A, F, H**  
**K5, K22 - MARKING D**

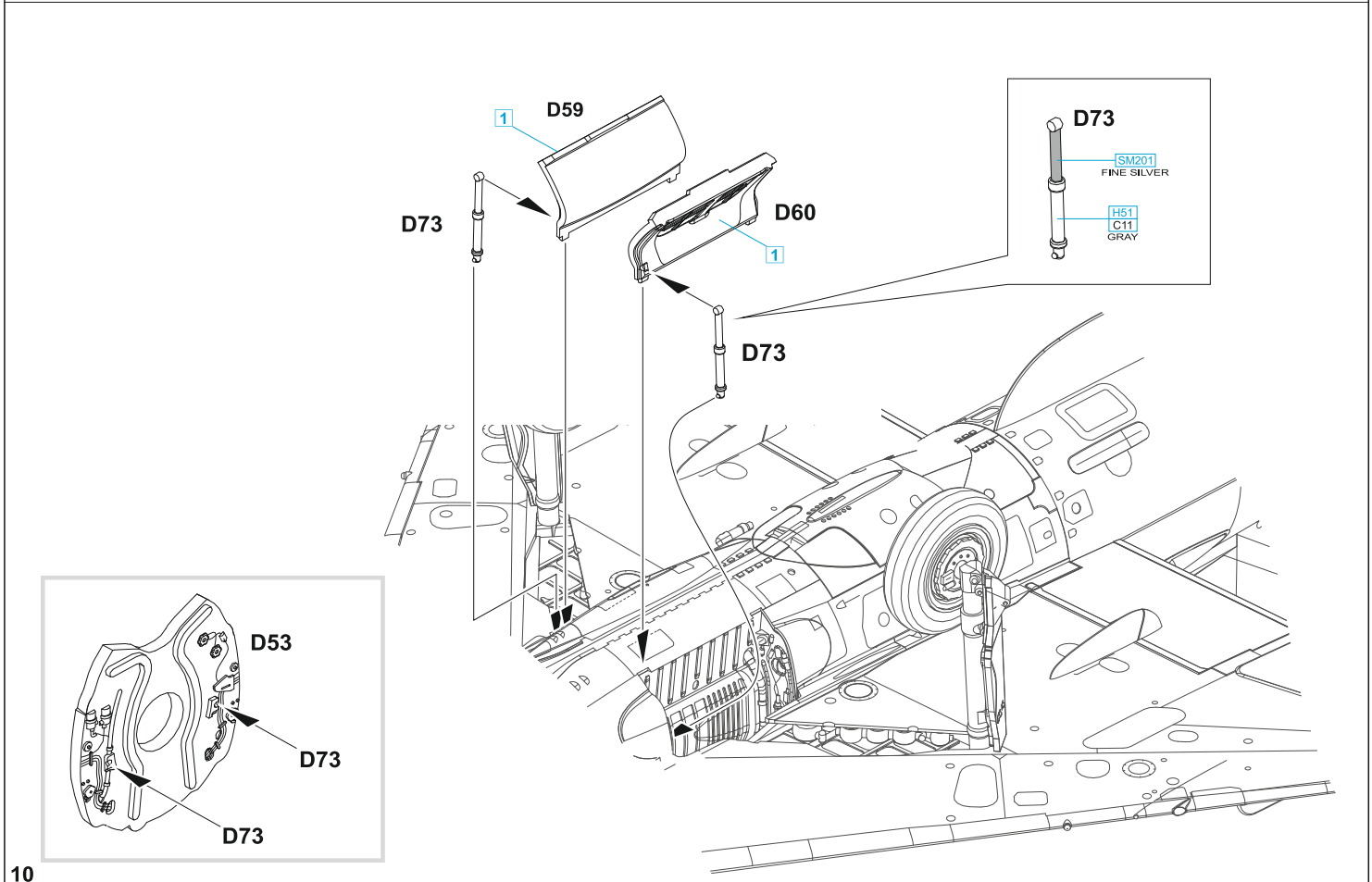
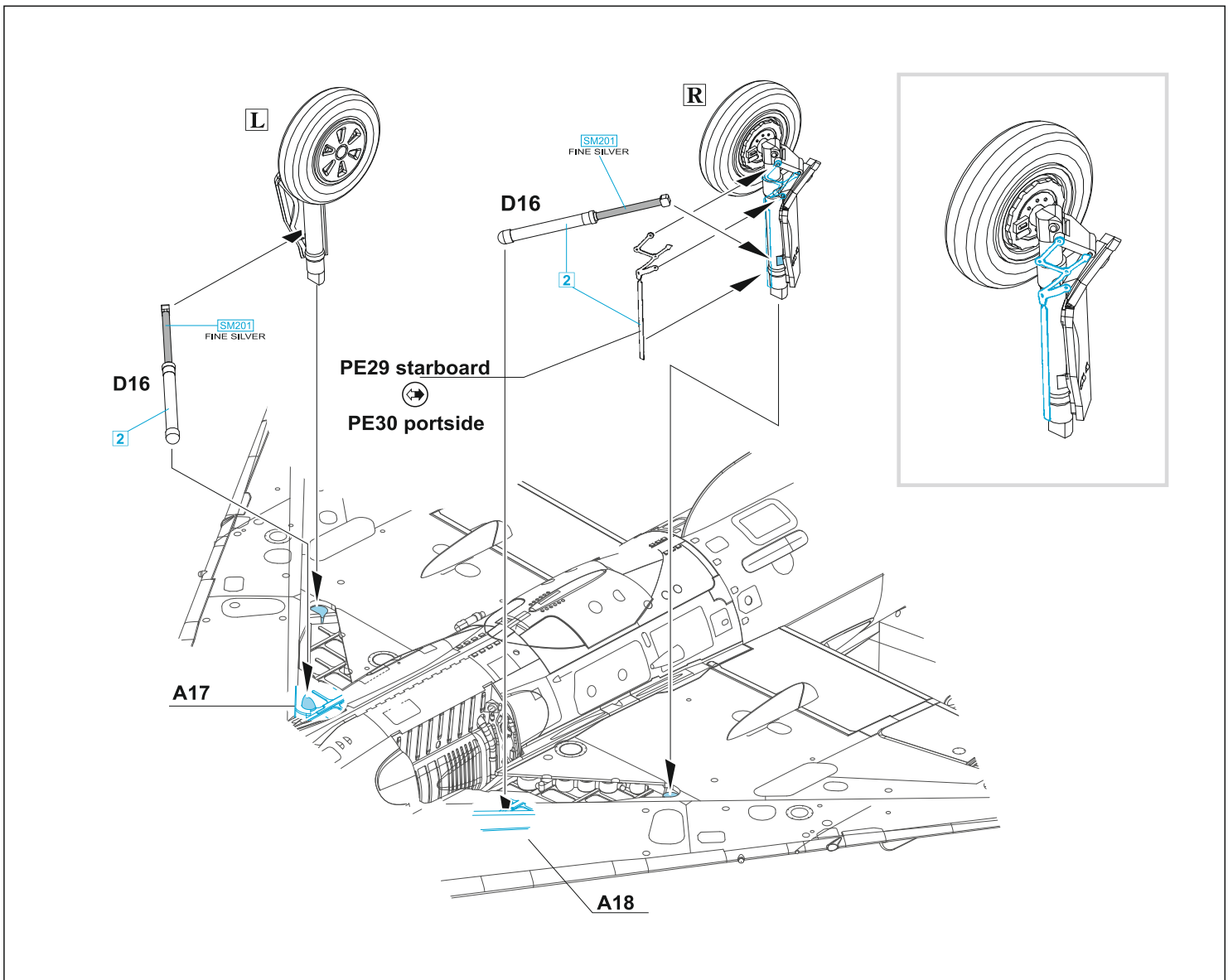


**PE22 - MARKINGS A, B, C, D, E, F, H, I**  
**K4 - MARKING J**

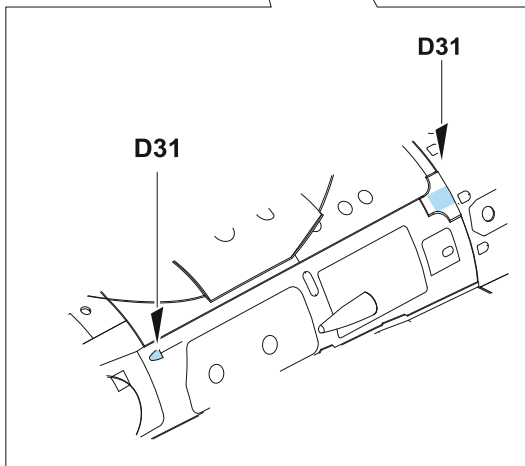
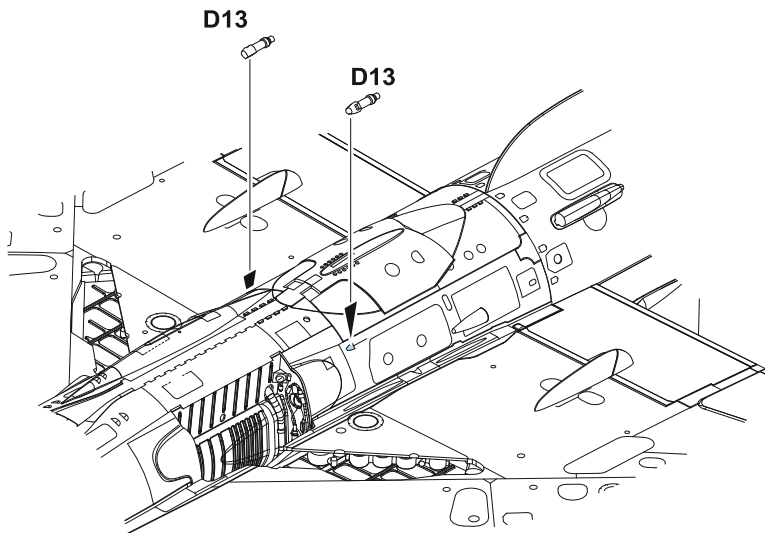
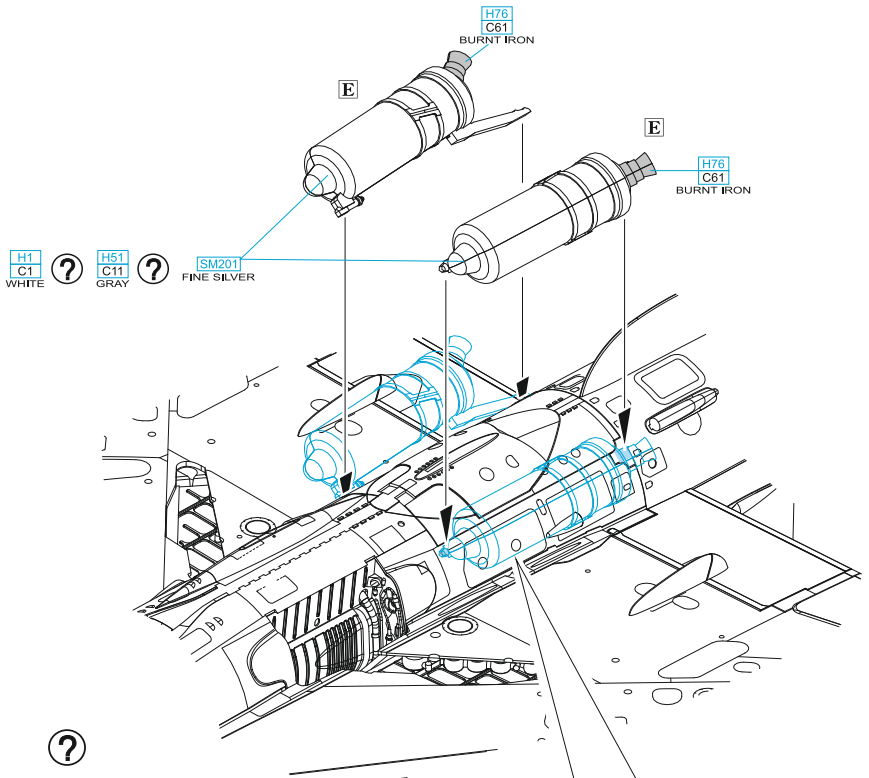
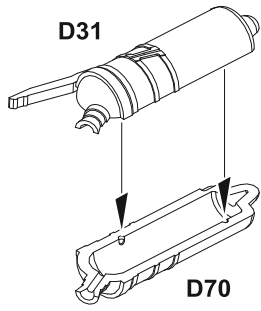




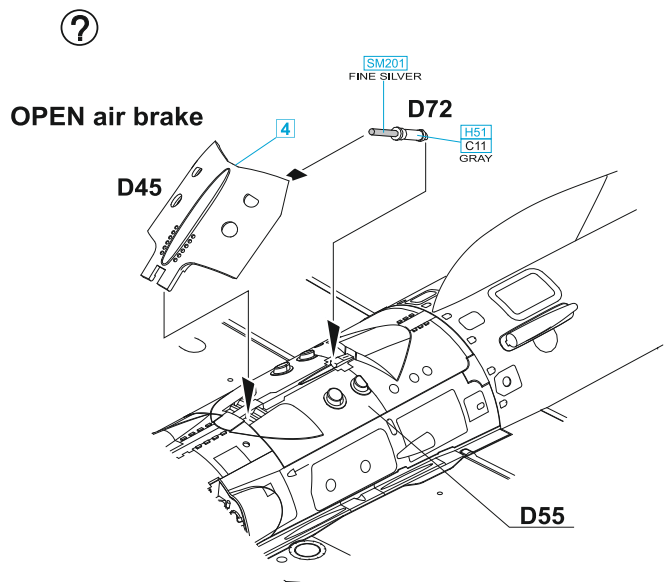
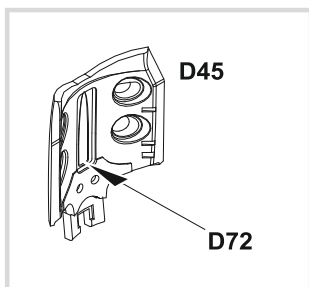


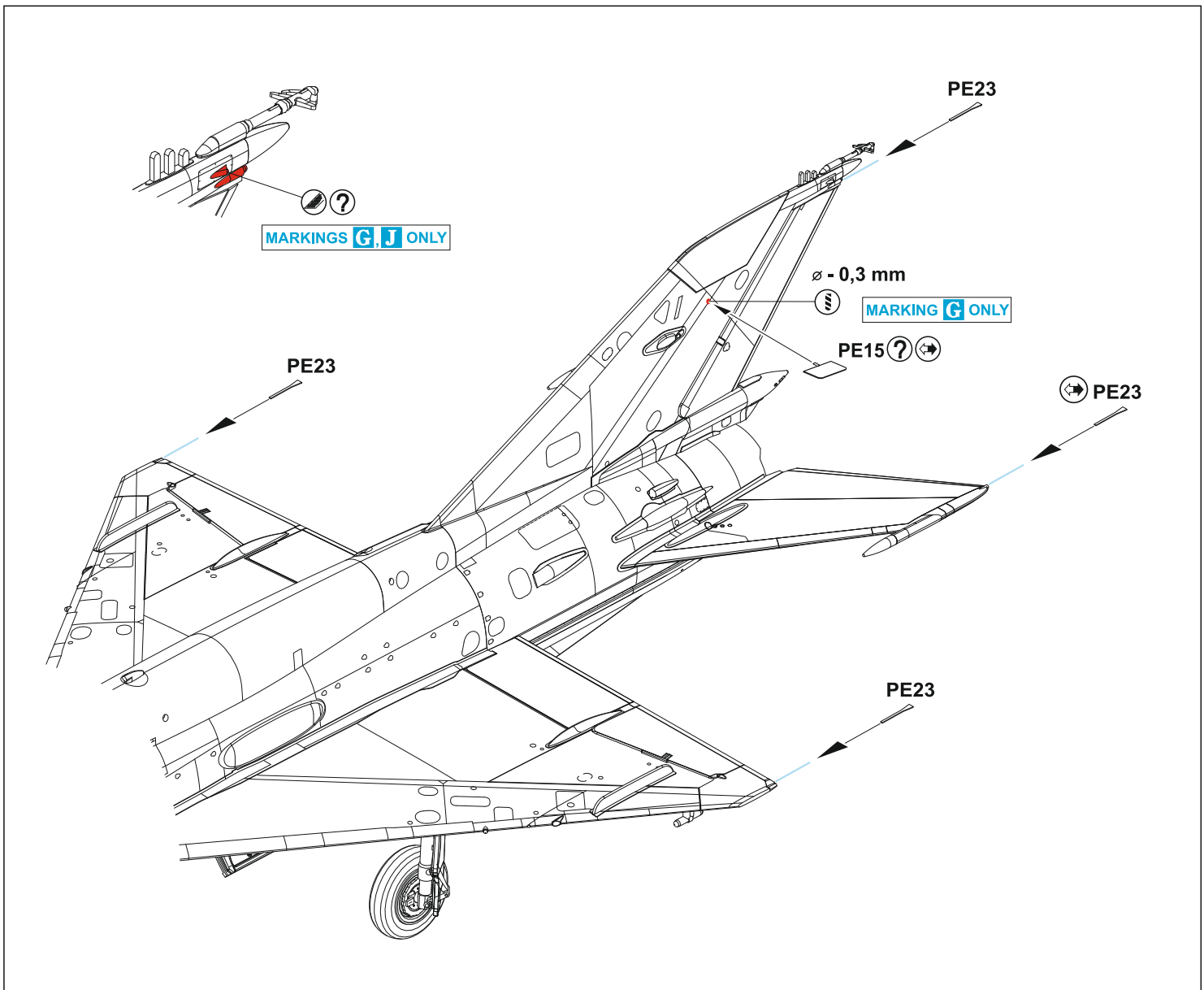


**E** 2 pcs.

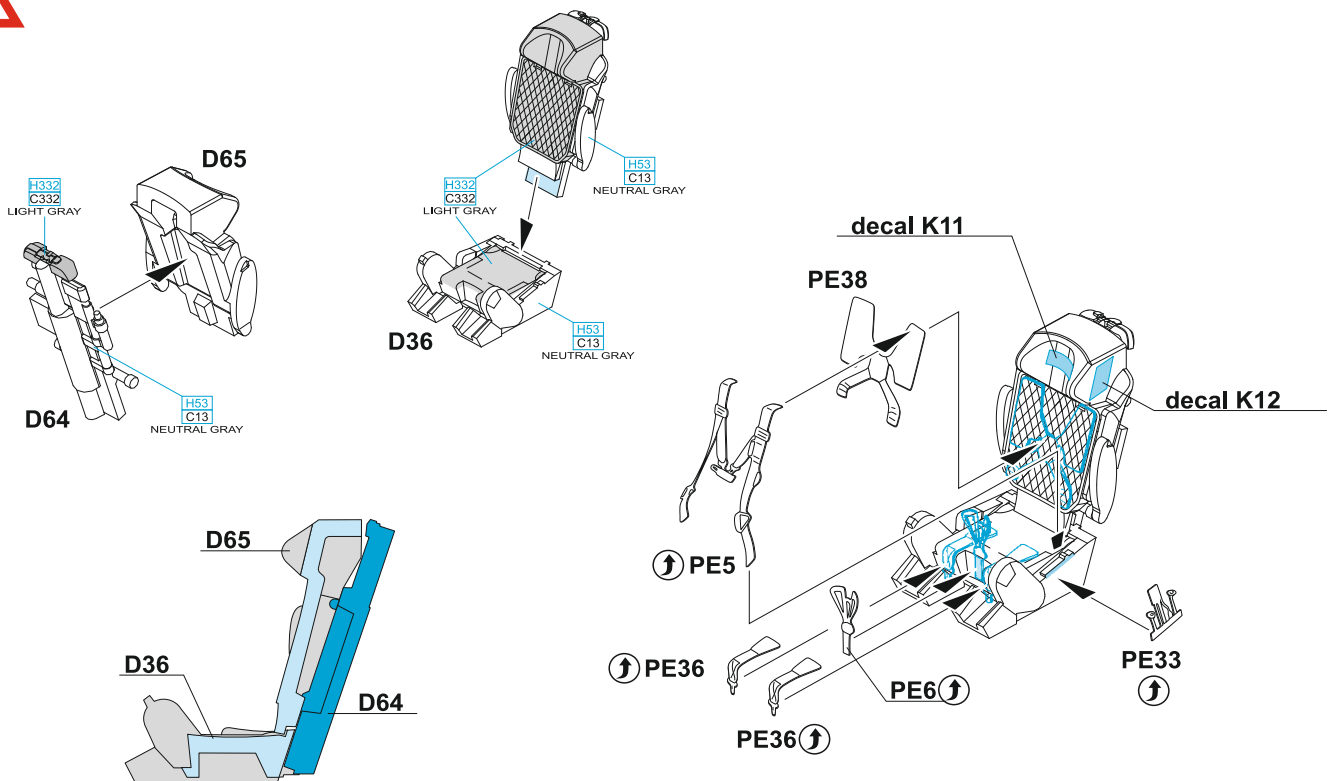


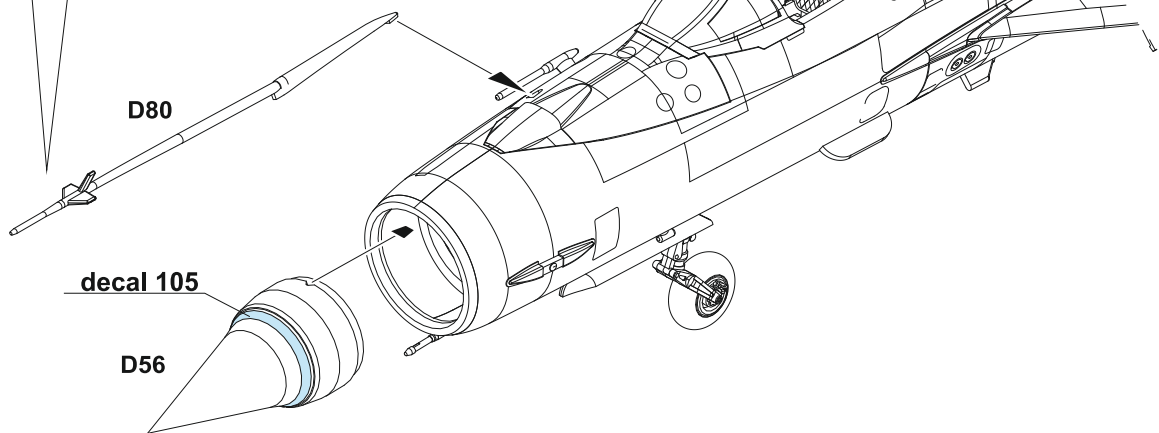
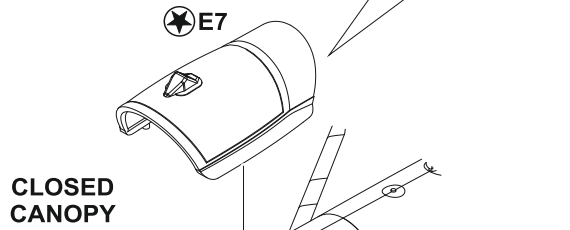
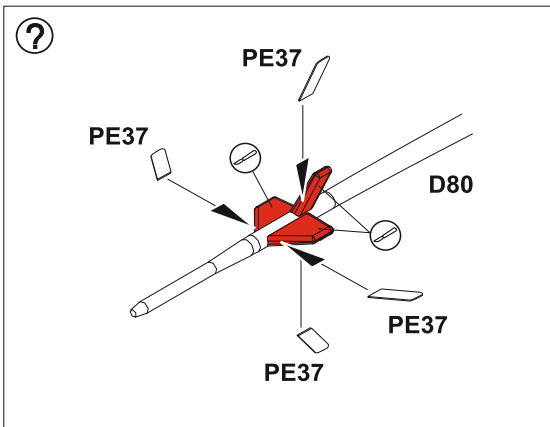
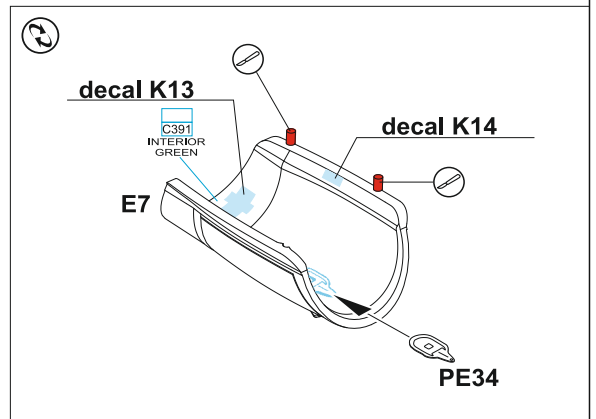
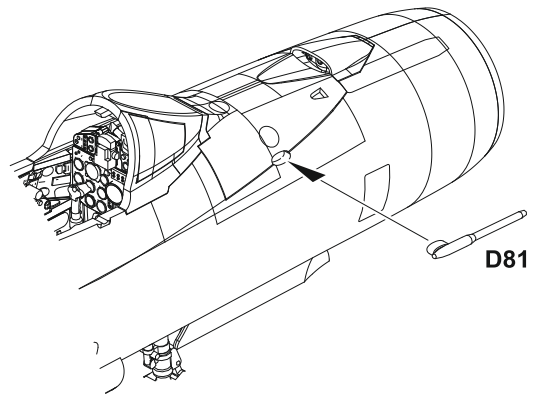
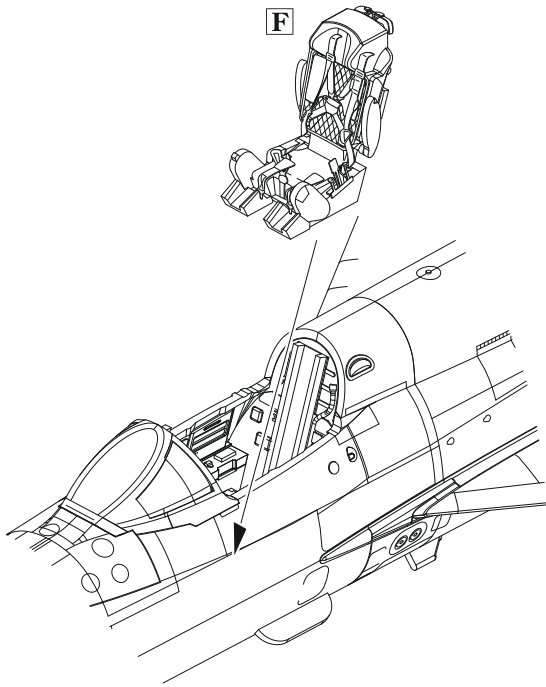
**4** = **H67 C115 RLM65 LIGHT BLUE** - MARKINGS **A, C, D, F**  
**H51 C11 GRAY** - MARKINGS **B, E, G, H, I, J**

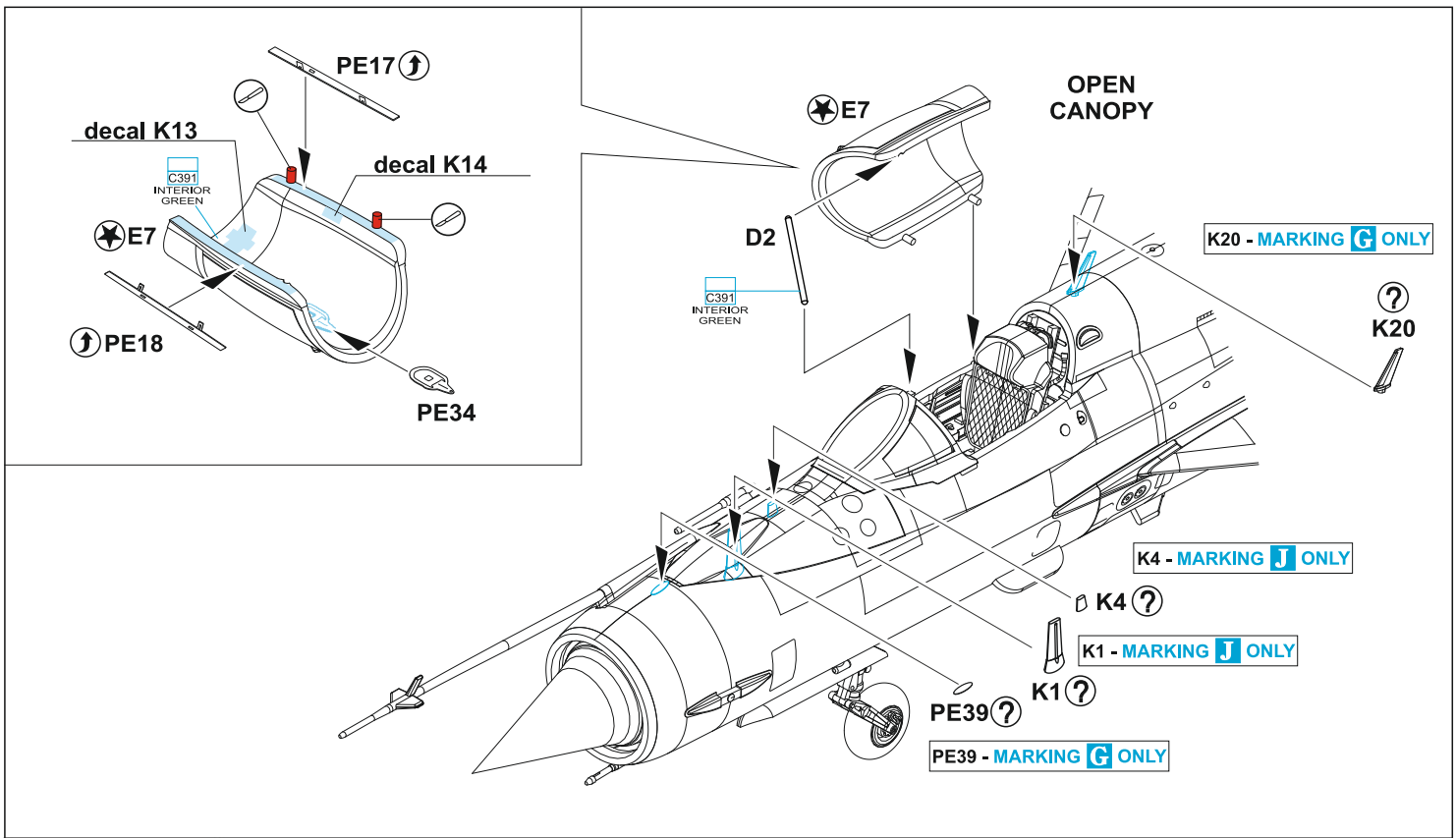




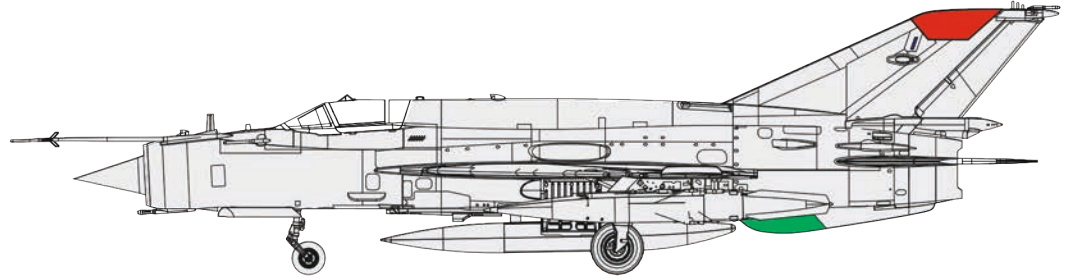
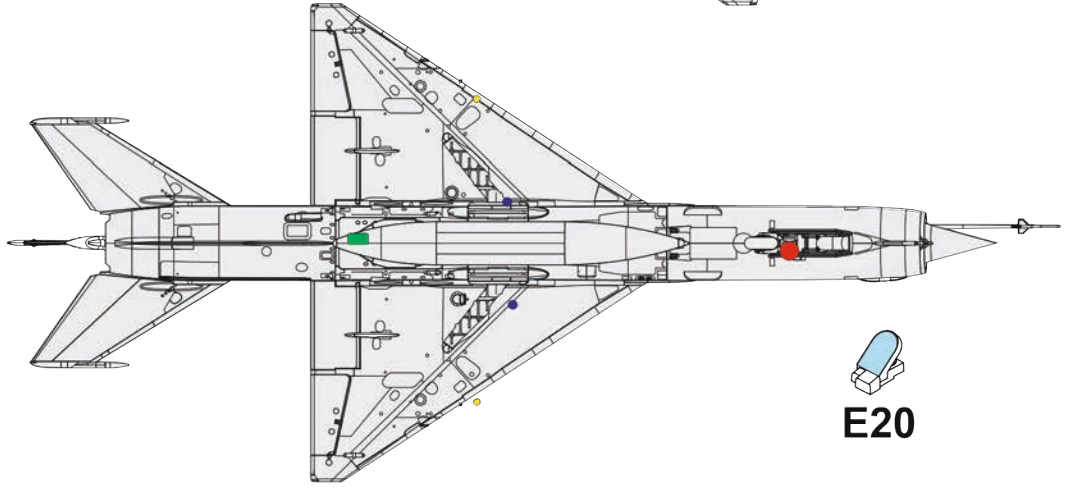
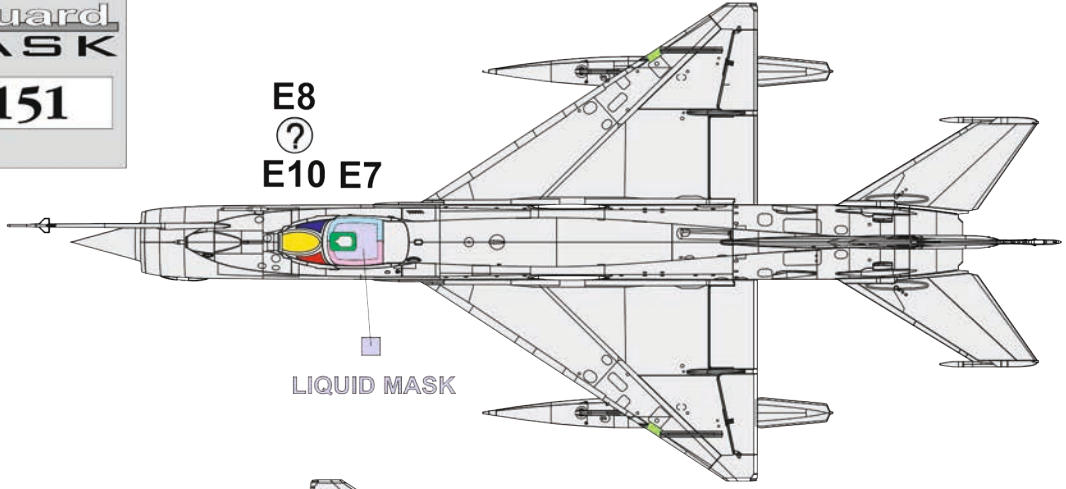
**F**



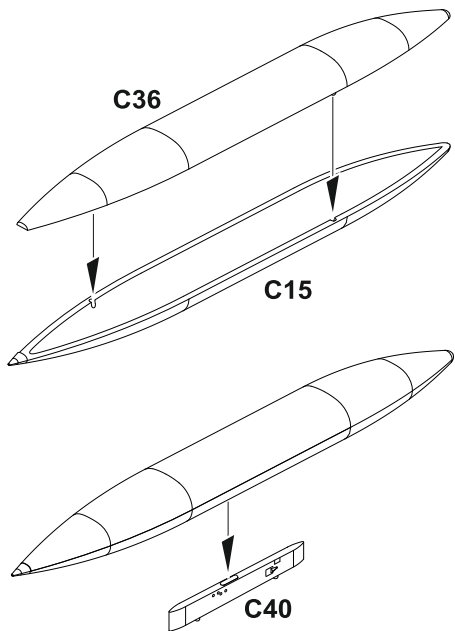




**eduard**  
**MASK**  
**2151**

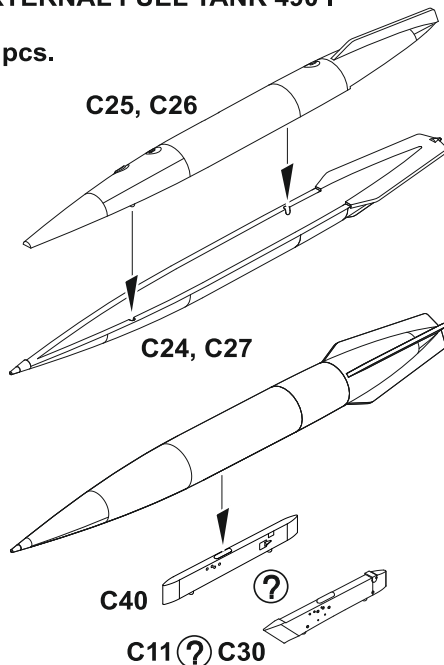


**EXTERNAL FUEL TANK 800 I**

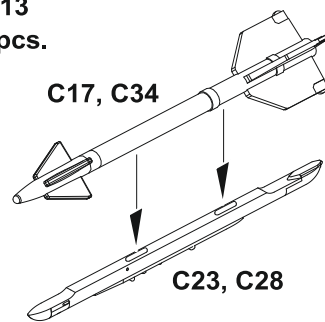


**EXTERNAL FUEL TANK 490 I**

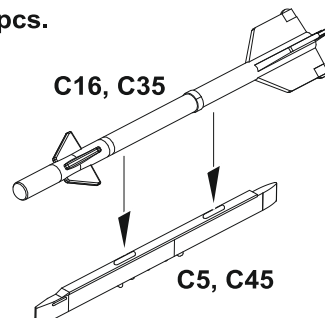
2 pcs.



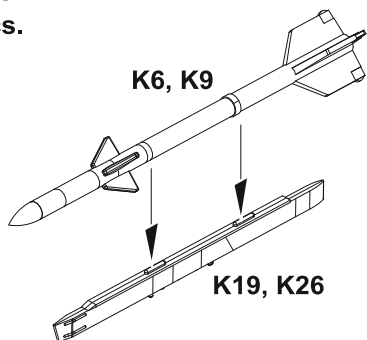
R-13  
2 pcs.



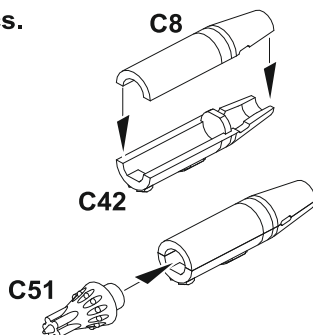
R-3S  
2 pcs.



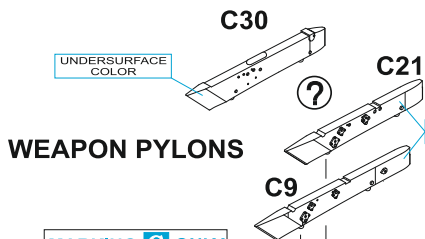
R-3R  
2 pcs.



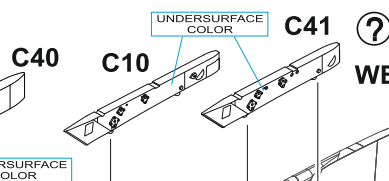
UB-16  
2 pcs.



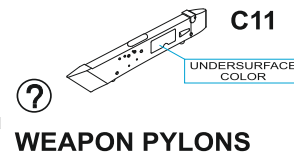
**EXTERNAL FUEL TANK PYLONS**



**EXTERNAL FUEL TANK PYLONS**



**EXTERNAL FUEL TANK PYLONS**



MARKING G ONLY

K24 ?

? PE35

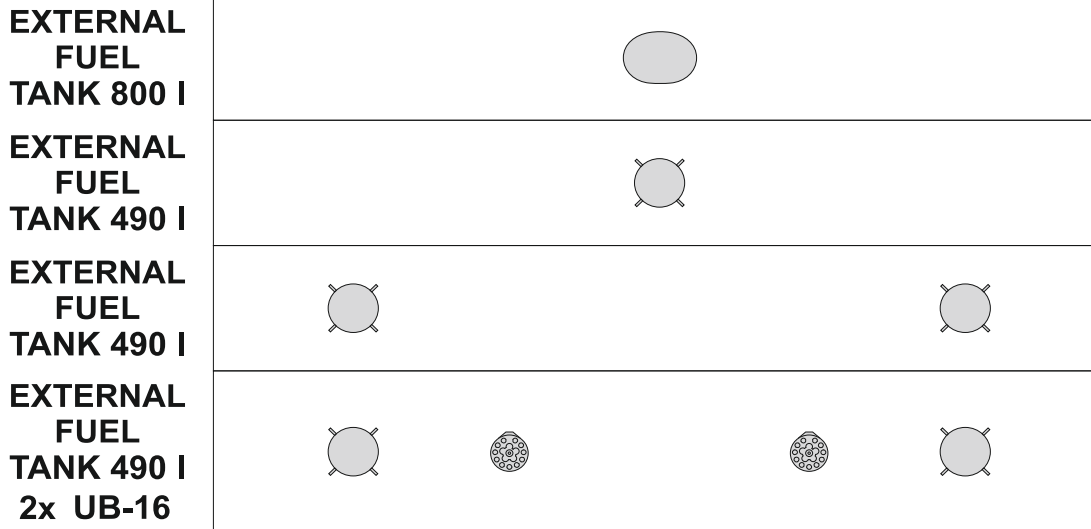
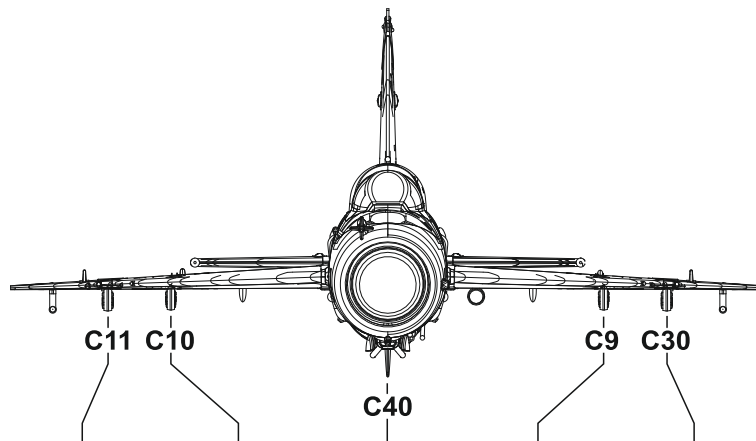
ø - 0,3 mm



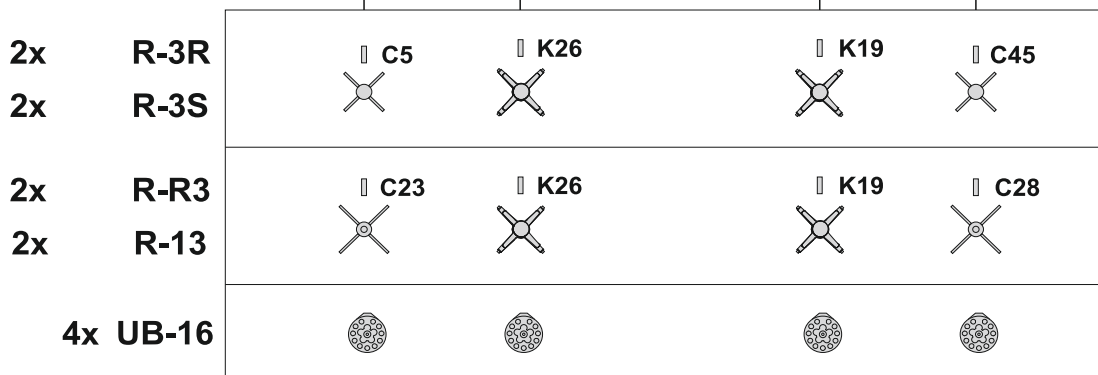
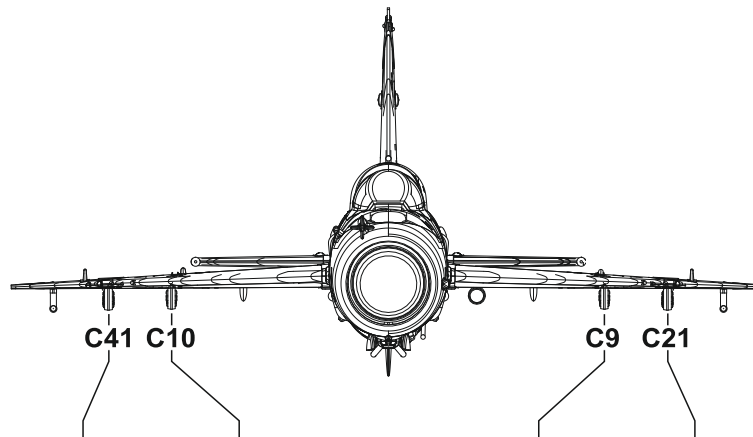
PE8 ?

MARKING G ONLY

ø - 0,3 mm



**TYPICAL ARMAMENT FOR QUICK REACTION ALERT DUTY**

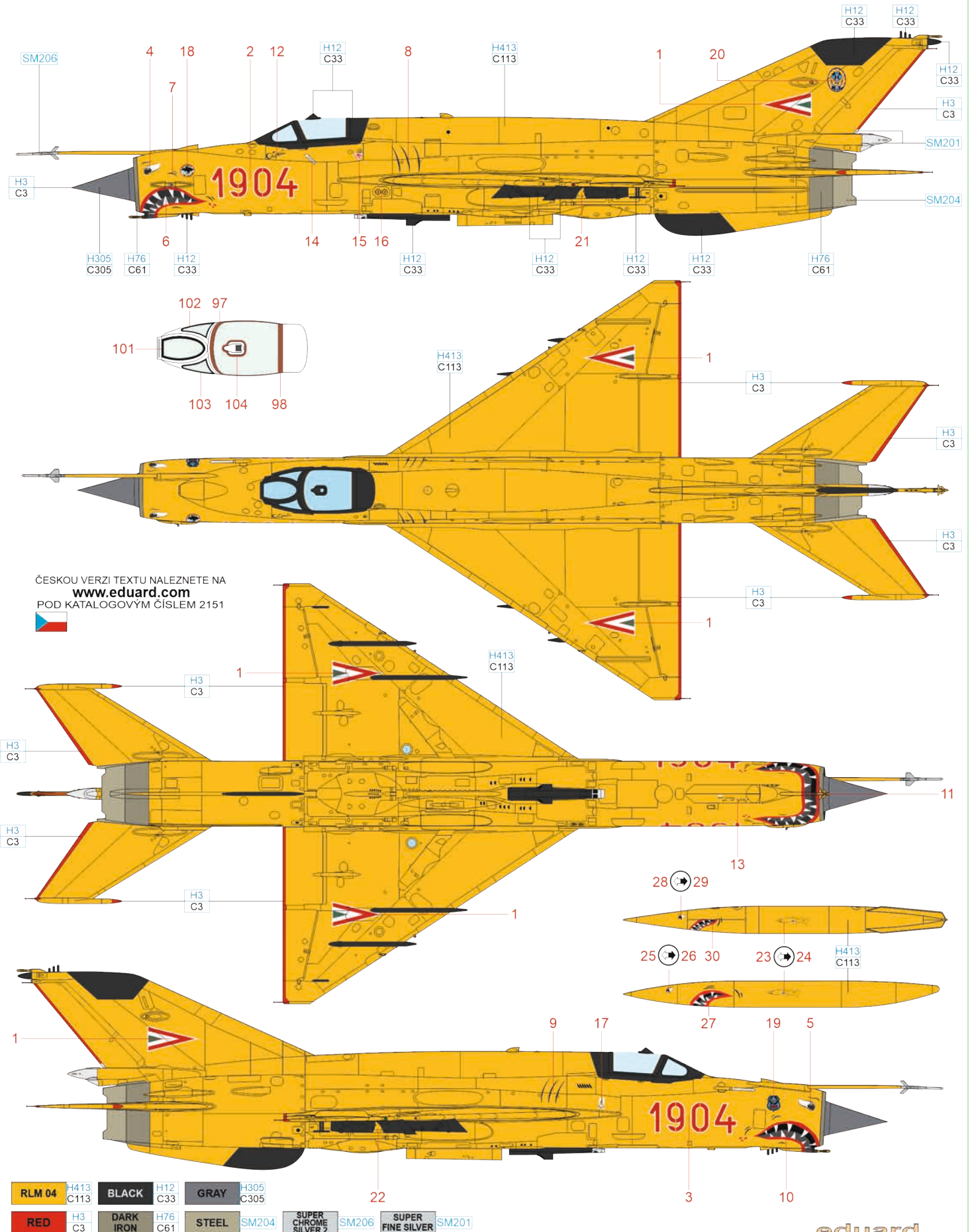


**TO CHOOSE WEAPON AND EXTERNAL FUEL TANK OPTION PLEASE FOLLOW YOUR REFERENCE.**



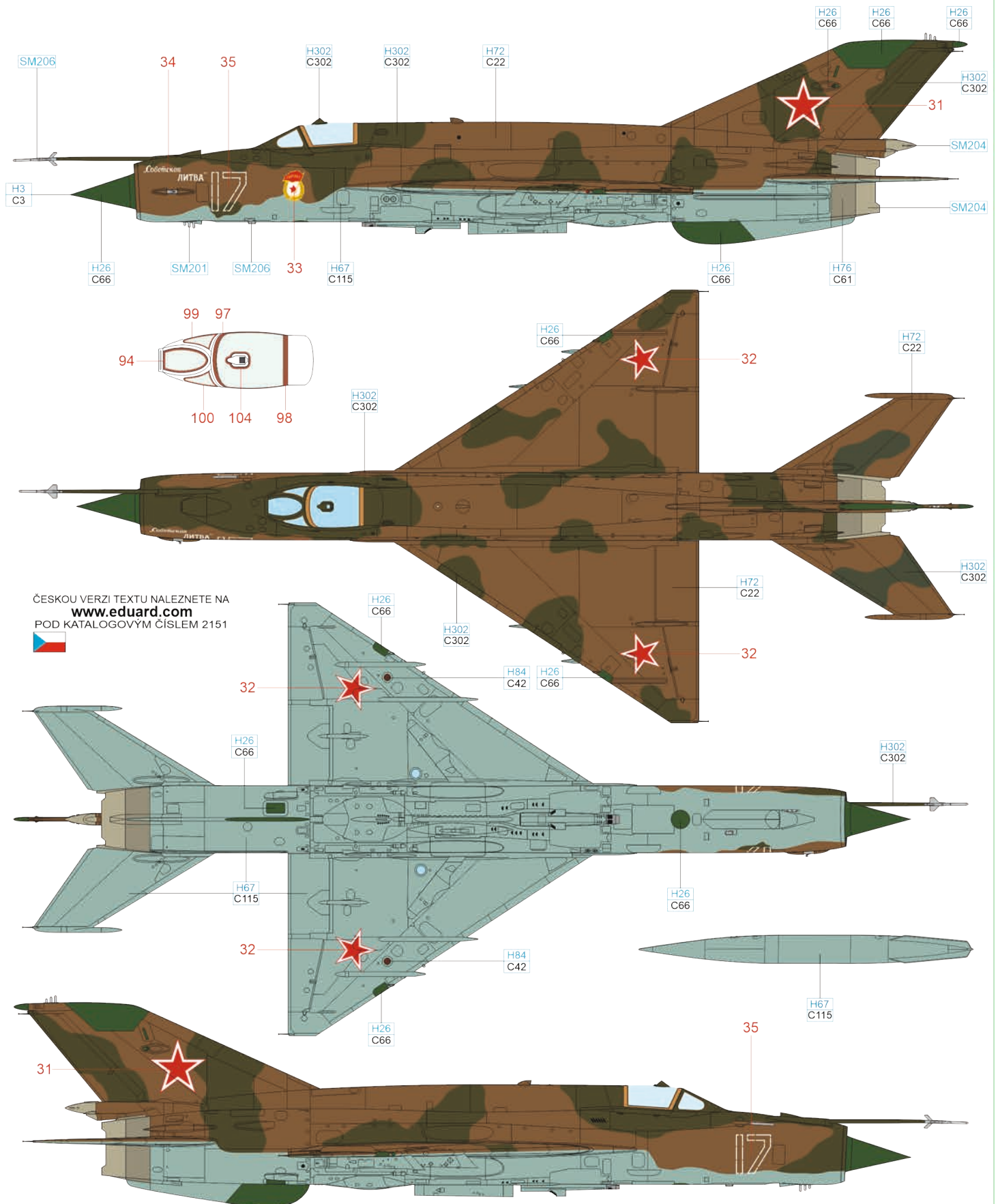
# A MiG-21bis, c/n 75061904, 2 Fighter Squadron, Tazsár Air Force Base, Hungary, 1993

Ground personnel from Tazsár Air Base sprayed a special paint scheme on the MiG-21bis in 1992. The purpose of the coloring was to represent the enemy aircraft in combat training. The color scheme shown here is a representation of the aircraft's appearance at the 1993 International Air Tattoo in Fairford. The aircraft named Capeti (shark) 1904 is currently on display at the Szolnok Air Museum in a similar color scheme to the one it flew in 1992.



# B MiG-21bis, 115 GIAP, Soviet VVS, Bagram Air Base, Afghanistan, 1980

MiG-21bis, 115 GIAP, Soviet VVS, Bagram Air Base, Afghanistan, 1980 Fighter cover duties during the Soviet invasion of Afghanistan were conducted by the 115 Guards' Regiment at the end of 1979. The unit was equipped with the MiG-21bis and was based at Kokai in Uzbekistan, a Soviet Socialist Republic at the time. Three days into the invasion, the first squadron moved to Bagram Air Base, followed by a second squadron on January 23, 1980. Due to the lack of enemy aerial power, the 115 GIAP became involved in ground support duties together with the 136 APIB. MiG-21bis aircraft of the 115<sup>th</sup> GIAP used in Afghanistan were painted in green and brown on the upper surfaces at the beginning of the war, with bottom surfaces in a blue-grey shade.



ČESKOU VERZI TEXTU NALEZNETE NA  
[www.eduard.com](http://www.eduard.com)  
 POD KATALOGOVÝM ČÍSLEM 2151

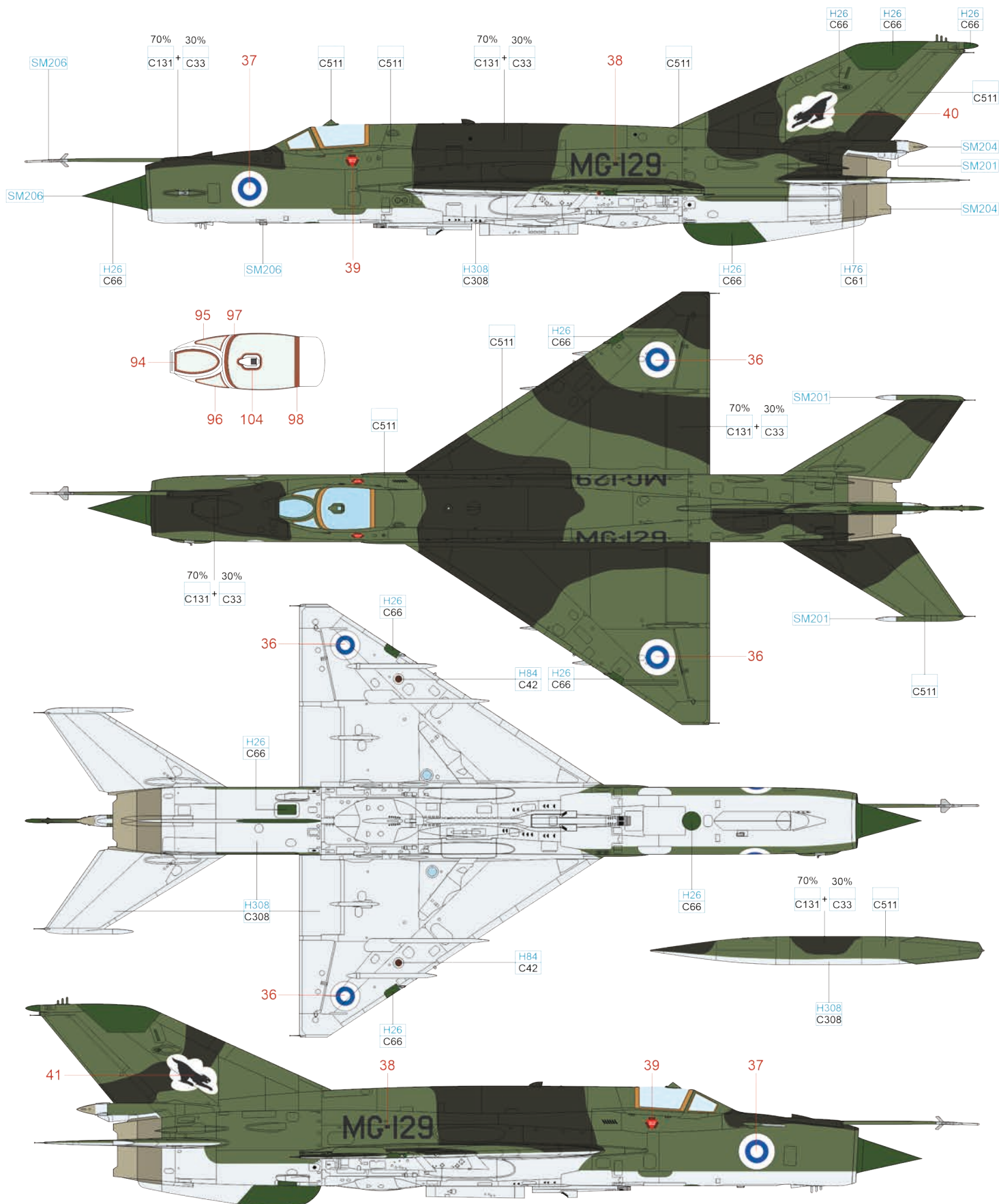


MAHOGANY	H84 C42	LIGHT BLUE	H67 C115	DARK EARTH	H72 C22	GREEN	H302 C302
RED	H3 C3	BRIGHT GREEN	H26 C66	DARK IRON	H76 C61	STEEL	SM204
						SUPER CHROME SILVER 2	SM206
							SUPER FINE SILVER
							SM201

**eduard**

# C MiG-21BIS, c/n 75084300, HävLLv 31, Kuopio airbase, Finland, 1980 - 1981

This aircraft was accepted for service on July 17, 1980, and assigned to 31 Fighter Squadron (Hävittäjälentolaivue 31, abbreviated HävLLv 31). It became the last of six Finnish MiG-21BIS fighters to be modified for reconnaissance tasks. After the modification, the aircraft was assigned to TiedLLv (Reconnaissance Squadron) and following its end of service it was used as a teaching aid at the Technical School located at the Kuopio Air Base. The aircraft is shown as it appeared between 1980 and 1981 before being upgraded with western avionics, which included cockpit instrumentation. Unlike other users, Finland used capital letters for designation of their MiGs, that's why it is written as BIS here as well.



GRAY	H308 C308	BLACK	H12 C33	RED BROWN	C131	GREEN	C511
MAHOGANY	H84 C42	BRIGHT GREEN	H26 C66	DARK IRON	H76 C61	STEEL	SM204
						SUPER CHROME SILVER 2	SM206
						SUPER FINE SILVER	SM201

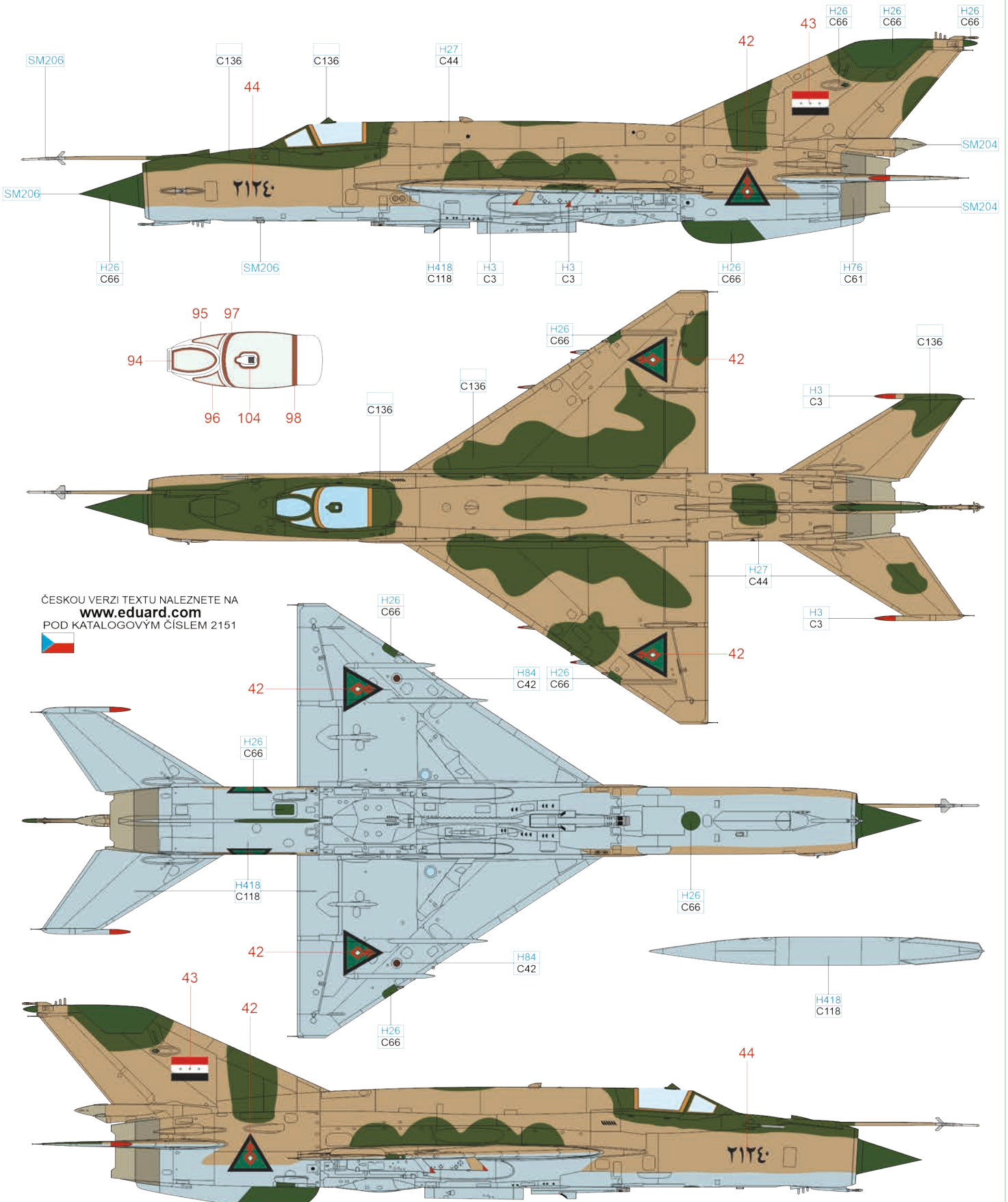
ČESKOU VERZI TEXTU NALEZNETE NA  
[www.eduard.com](http://www.eduard.com)  
 POD KATALOGOVÝM ČÍSLEM 2151



**eduard**

## D MiG-21bis, No. 47 Squadron, Iraqi Air Force, Al Hurrya Air Base, Iraq, 1990

The No. 47 Squadron was equipped with the MiG-21bis through the seventies, and over the fall of 1980 scored significant number of kills of Iranian F-4s and F-5s. During the Iran-Iraq war, Iraqi pilots flying the MiG-21bis fired not only Soviet air-to-air missiles (R-3S, R-13M), but also the French R.550. A typical loadout configuration consisted of two air-to-air missiles and three drop tanks. The aircraft were camouflaged according to the period MiG-21 standards developed for export aircraft going to Africa and the Middle East.



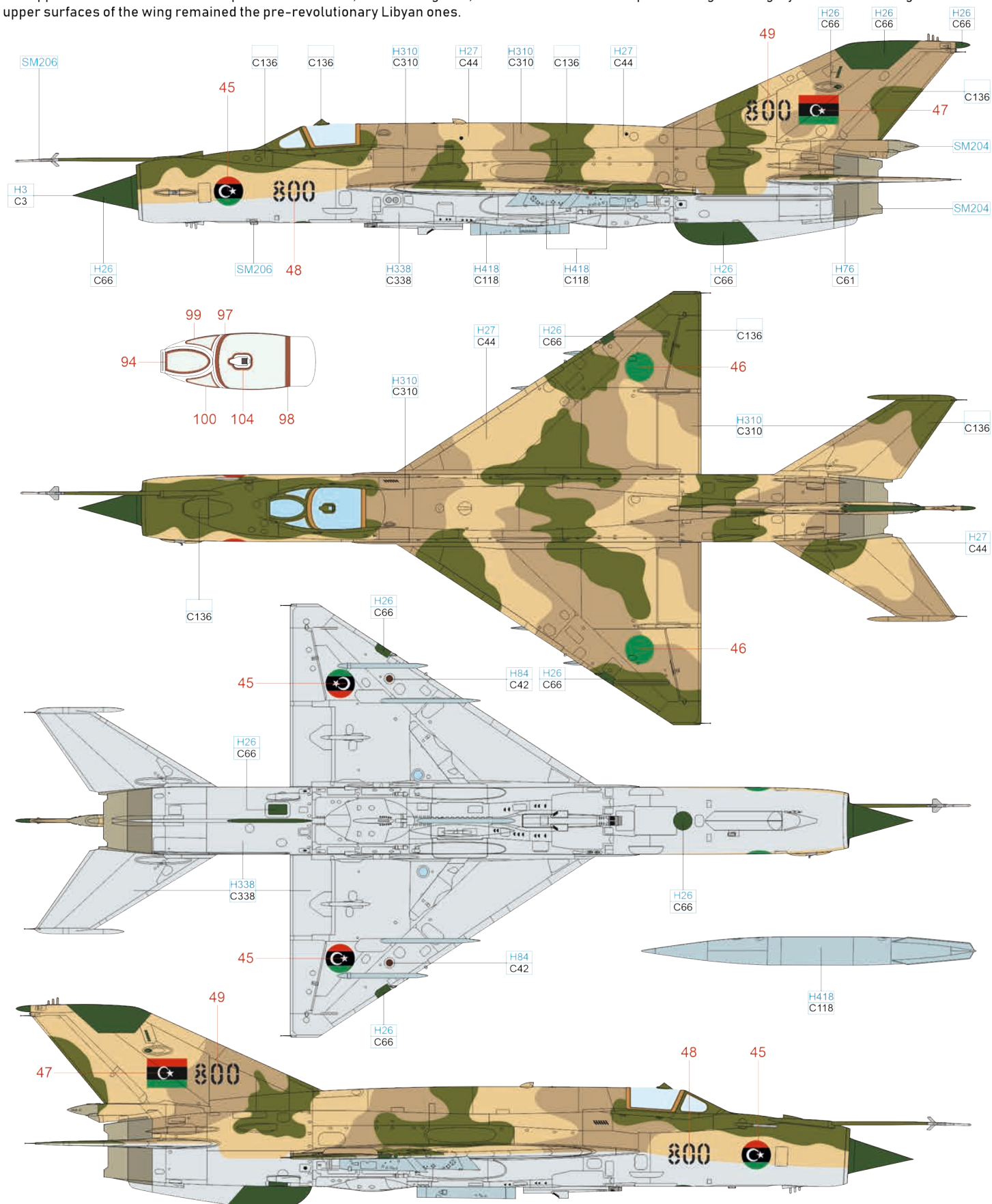
ČESKOU VERZI TEXTU NALEZNETE NA  
[www.eduard.com](http://www.eduard.com)  
 POD KATALOGOVÝM ČÍSLEM 2151



MAHOGANY	H84 C42	LIGHT BLUE	H418 C118	TAN	H27 C44	GREEN	C136
RED	H3 C3	BRIGHT GREEN	H26 C66	DARK IRON	H76 C61	STEEL	SM204
							SUPER CHROME SILVER 2
							SM206

# E MiG-21bis, Free Libyan Air Force, Tobruk, Libya, November 2011

The Free Libyan national army, under the leadership of General Khalifa Haftar, occupied several air bases after its formation, some of which yielded airworthy examples of aircraft abandoned by forces loyal to Muammar Gaddafi. One of these was this one, which was subsequently coded "800" and was flown by pilots of the Free Libyan National Army. The Free National Army, under Haftar's leadership, added to their inventory aircraft from occupied airfields (MiG-21s, MiG-23s, Mirage F-1s and Su-22s) and purchased other ones from foreign sources (these again were MiG-21s and 23s, along with Mi-24/35 helicopters). The camouflage scheme of this particular aircraft hails from the days of Khaddafi and was first displayed at Lavex in 2007 in Tripoli. The upper and side surfaces of this plane were in sand, brown and green, the lower surfaces were painted a light blue-grey. The national insignias on the upper surfaces of the wing remained the pre-revolutionary Libyan ones.



MAHOGANY	H84 C42	TAN	H27 C44	GREEN	C136	LIGHT BROWN	H310 C310	SUPER CHROME SILVER 2	SM206
RED	H3 C3	BRIGHT GREEN	H26 C66	LIGHT BLUE	H418 C118	LIGHT GRAY	H338 C338	DARK IRON	H76 C61
								STEEL	SM204

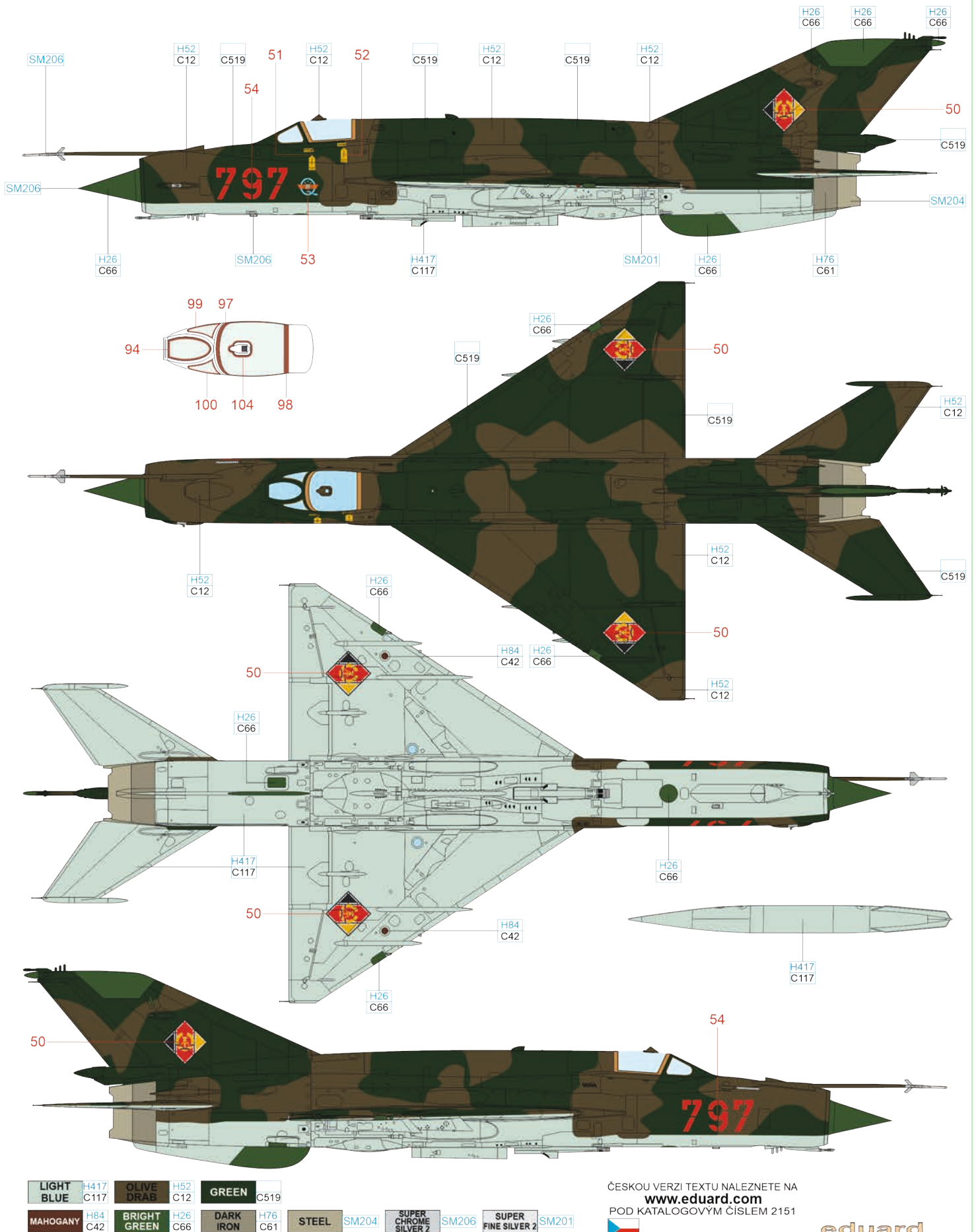
ČESKOU VERZI TEXTU NALEZNETE NA  
[www.eduard.com](http://www.eduard.com)  
 POD KATALOGOVÝM ČÍSLEM 2151



eduard

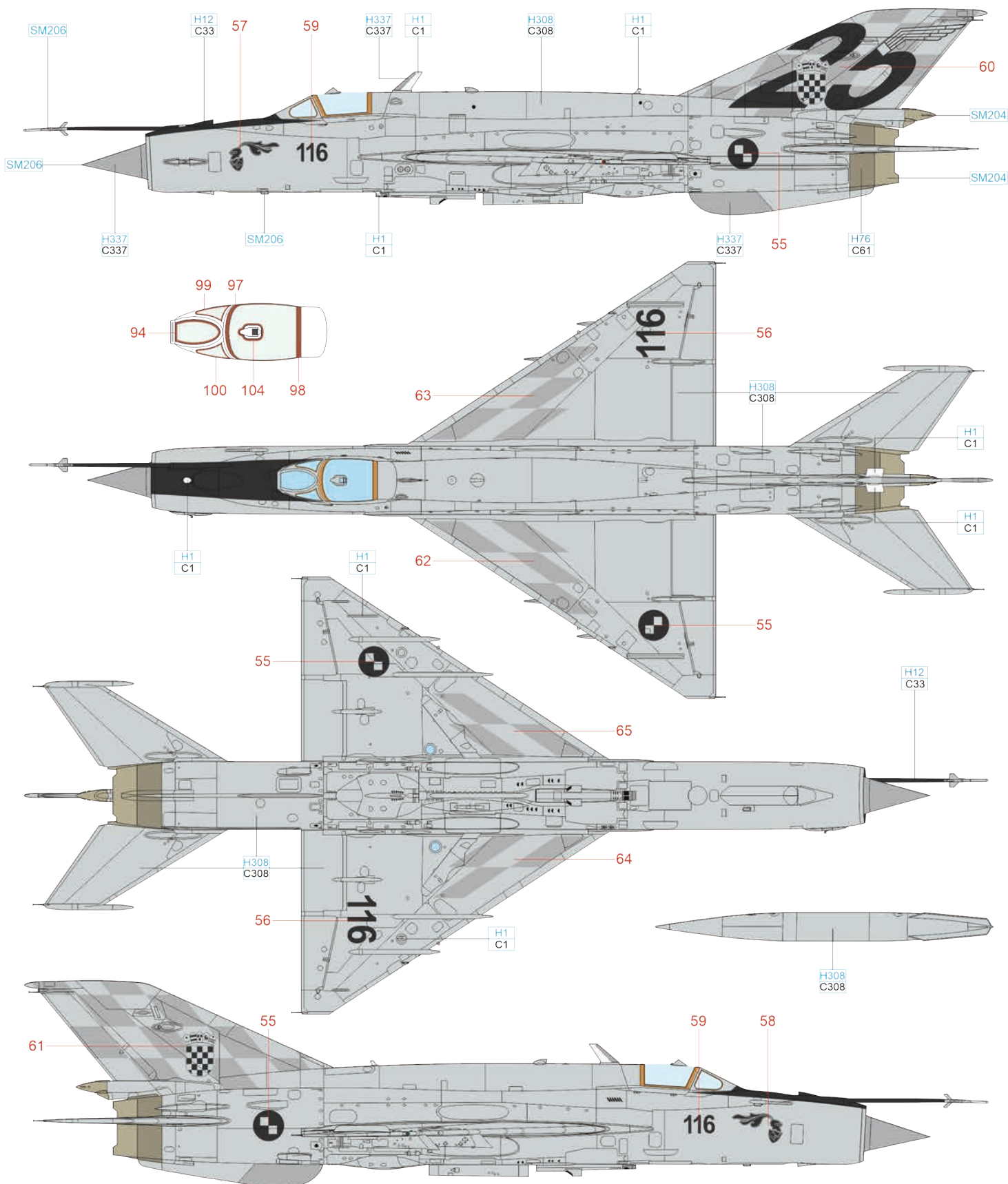
# F MiG-21bis, Holzdorf, German Democratic Republic, 1990

In the mid-1970s, the GDR Air Force began taking deliveries of its first MiG-21bis to bolster its fighter fleet of aging MiG-21MFs and PFMs. German Democratic Republic was to receive 46 aircraft of this type, 14 of which were to be of the "Fishbed-L" variant, i.e., equipped with the Lazur-M GCI (Ground Controlled Interception) guidance system. The remaining 32 were to be delivered in the "Fishbed-N" version with the Polyot-OI guidance system. To distinguish the two variants, the aircraft were designated MiG-21bis Lazur-M and MiG-21bis-SAU in GDR service.



# G MiG-21bisD, Eskadrila borbenih aviona, HRZ i PZO, Zagreb-Pleso, Croatia, December 2016

The Croatian Air Force purchased forty MiG-21bis fighters and MiG-21UM trainers from Ukraine in 1995. In 2003, eight MiG-21bis aircraft were modernized to bisD standard in Romania. The modernization program included an upgrade of the navigation, communication and IFF equipment. In 2014, another modernization took place involving seven Croat MiG-21bisD/UMD aircraft, along with the purchase of five other aircraft from a repair facility in Odessa. The modernized aircraft received an all-grey camouflage scheme. Aircraft coded 116 received a stylized number 25 on the left side of the fin to commemorate 25<sup>th</sup> anniversary of the Croatian Air Force.



BLACK	H12 C33	GRAY	H337 C337	GRAY	H308 C308
WHITE	H1 C1	DARK IRON	H76 C61	STEEL	SM204
			SUPER CHROME SILVER 2		SM206

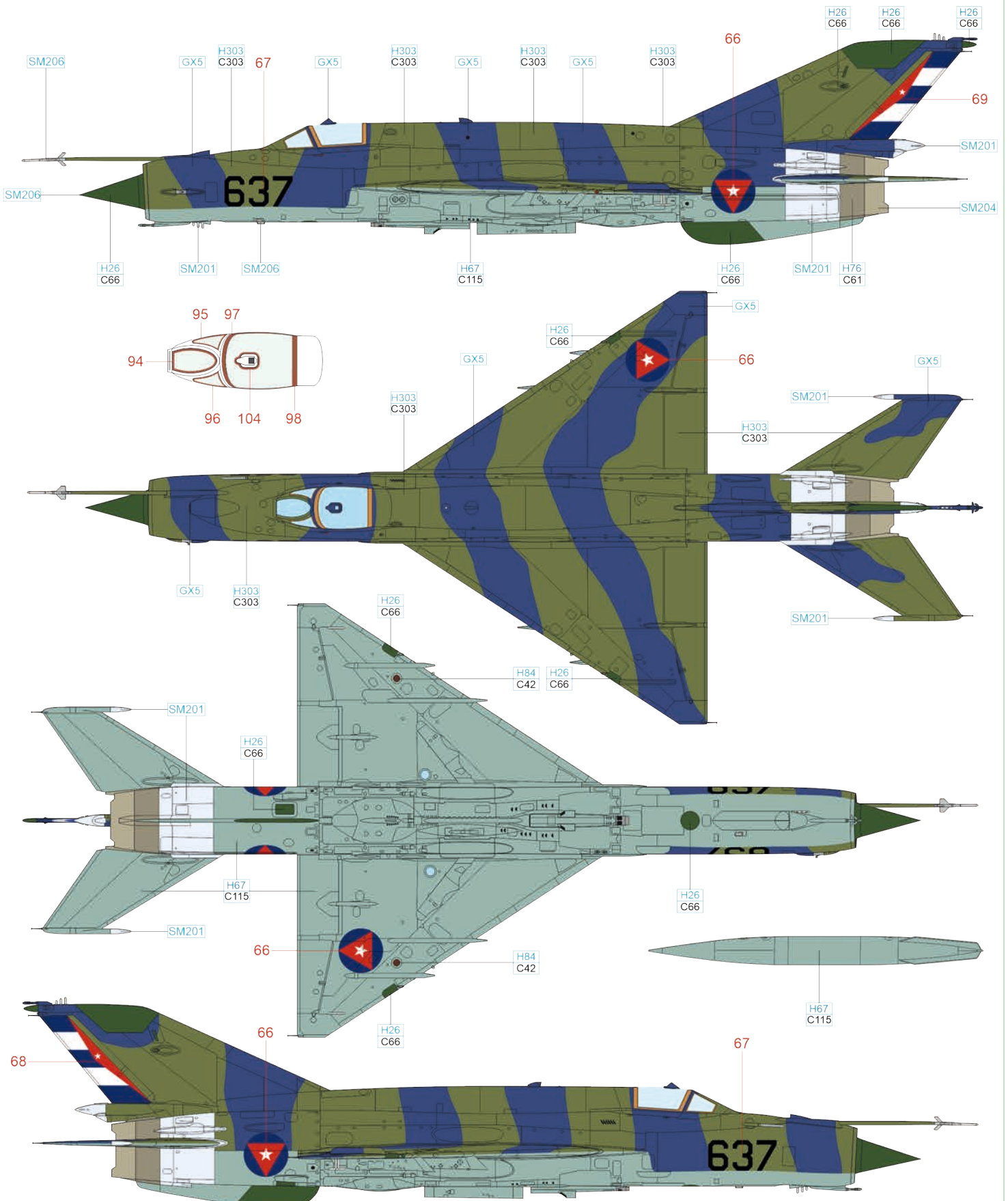
ČESKOU VERZI TEXTU NALEZNETE NA  
[www.eduard.com](http://www.eduard.com)  
 POD KATALOGOVÝM ČÍSLEM 2151



**eduard**

# H MiG-21bis, San Antonio de los Baños, Cuba, 1990

Deliveries of the most modern MiG-21bis aircraft to the Cuban Air Force began in 1981. A total of eighty (with some sources claiming ninety) aircraft served in four regiments. After completing its military career, aircraft coded 637 was used as an instructional airframe at the Instituto Tecnico Militar in Havana. The aircraft was camouflaged in a green and blue-grey scheme, which was used by the Cubans from the beginning of the nineties.



LIGHT BLUE	H67 C115	GREEN	H303 C303	BLUE	GX5
MAHOGANY	H84 C42	BRIGHT GREEN	H26 C66	DARK IRON	H76 C61
			STEEL	SM204	SUPER CHROME SILVER 2
					SM206
					SUPER FINE SILVER
					SM201

ČESKOU VERZI TEXTU NALEZNETE NA  
[www.eduard.com](http://www.eduard.com)  
 POD KATALOGOVÝM ČÍSLEM 2151

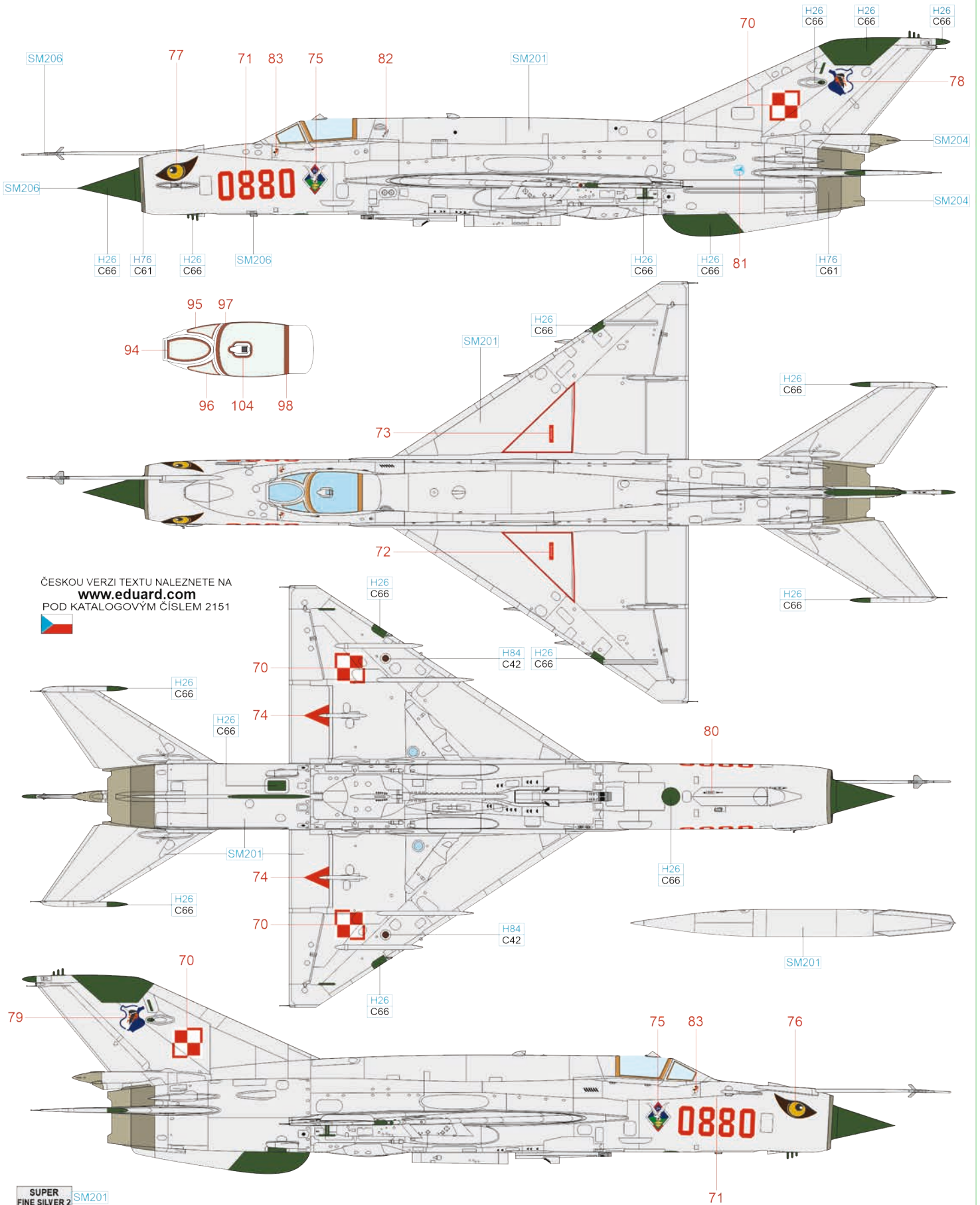


**eduard**



**MiG-21bis, c/n 75080880, 1 Pucki DLMW, Lotnictwo Marynarki Wojennej, Gdynia-Babie Doły, Poland, late 1997**

This aircraft was delivered to Poland on March 22, 1980 and was assigned to the 1 Pucki Dywizjon Lotniczy (Air Division) of the Polish Naval Forces. The emblem on the tail surface indicates service with the 2 Eskadra (Squadron) of the Division. The look of the plane evolved over time and in 2001 it flew with a sharkmouth and a tiger motif on the brake chute housing.



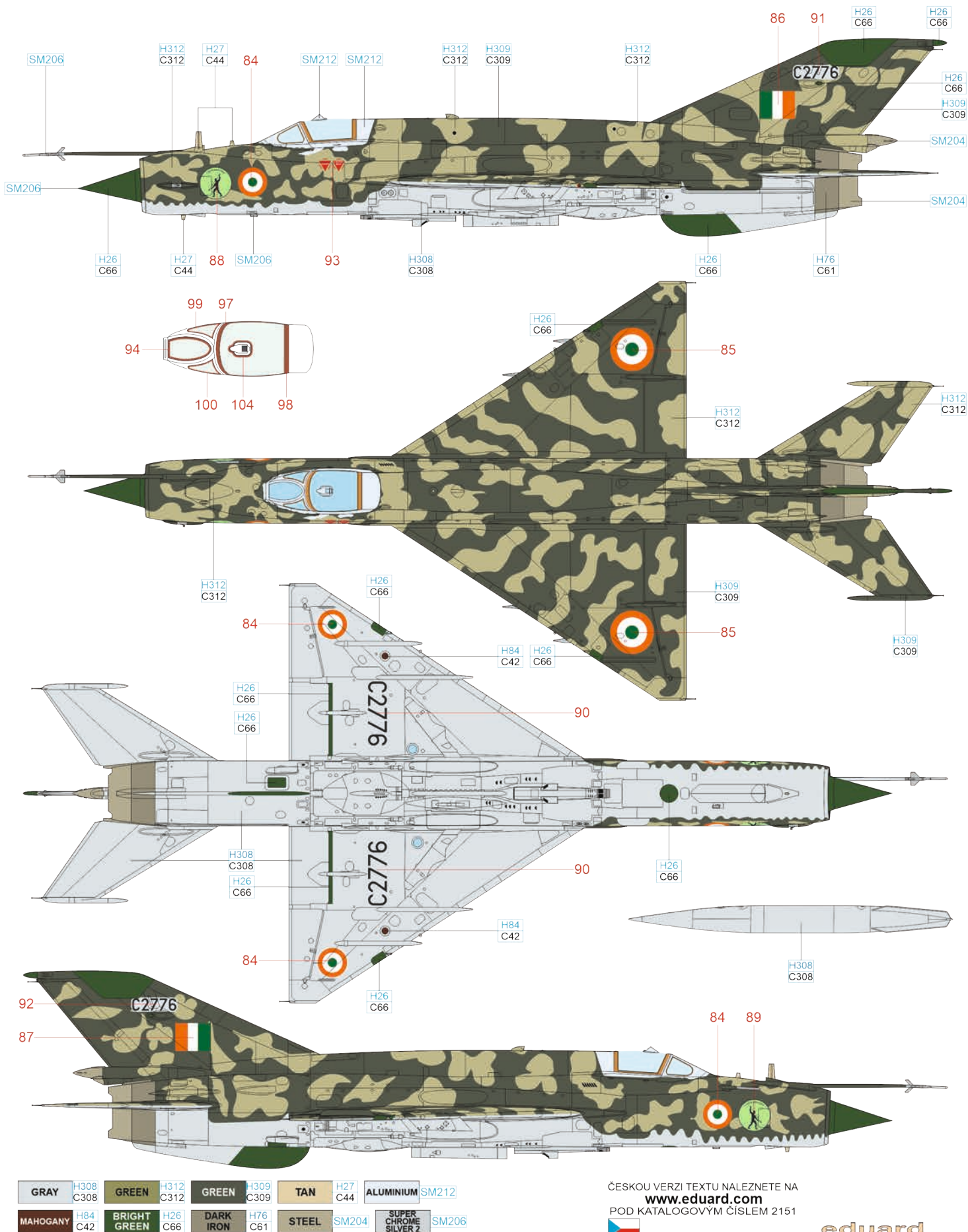
ČESKOU VERZI TEXTU NALEZNETE NA  
**www.eduard.com**  
POD KATALOGOVÝM ČÍSLEM 2151



- SM201 SUPER FINE SILVER 2
- MAHOGANY H84 C42
- BRIGHT GREEN H26 C66
- DARK IRON H76 C61
- STEEL SM204
- SUPER CHROME SILVER 2 SM206

# J MiG-21bis, C2776, No. 26 Squadron "The Warriors", Indian Air Force, Adampur, India, 1990

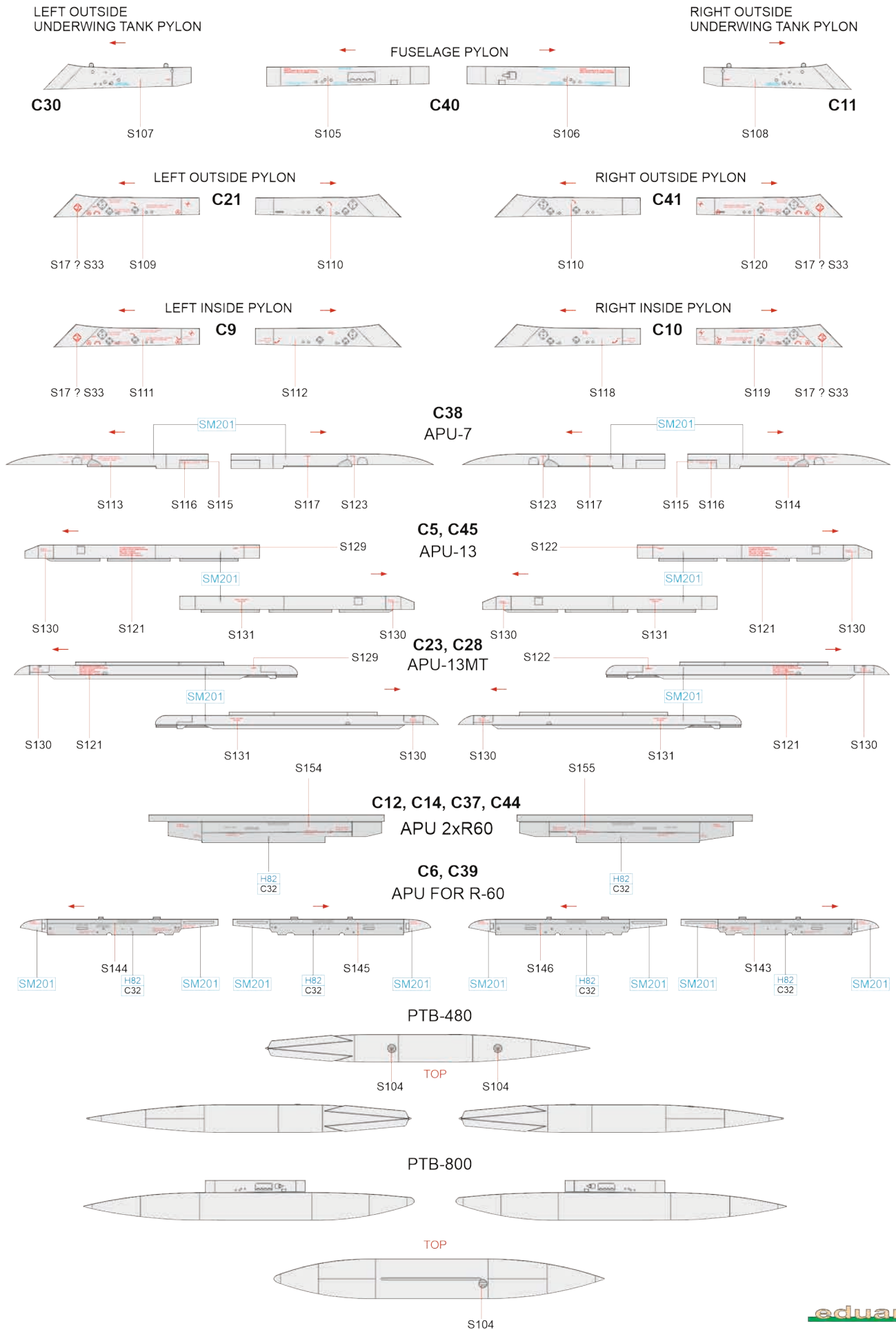
No. 26 Squadron of Indian Air Force took an active part in combat over the Indo-Pakistani border at the end of 1971. At that time, however, they were equipped with the Sukhoi Su-7. Most Indian MiG-21bis aircraft were painted in an overall light grey with only a few being camouflaged with more colors. This particular aircraft was also photographed without the unit badge as well. The camouflage was sprayed over the original light grey surface, which was still visible around the aircraft code on the tail and on the canopy frame.



ČESKOU VERZI TEXTU NALEZNETE NA  
[www.eduard.com](http://www.eduard.com)  
 POD KATALOGOVÝM ČÍSLEM 2151

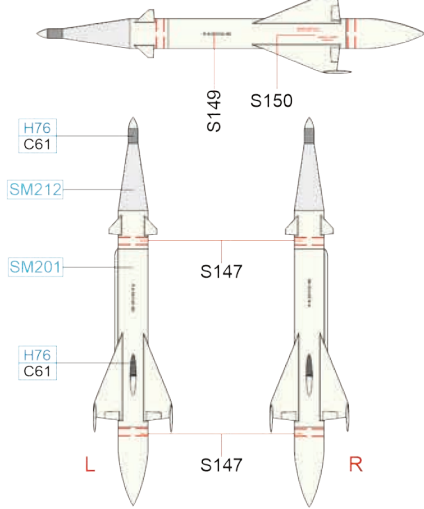


**eduard**



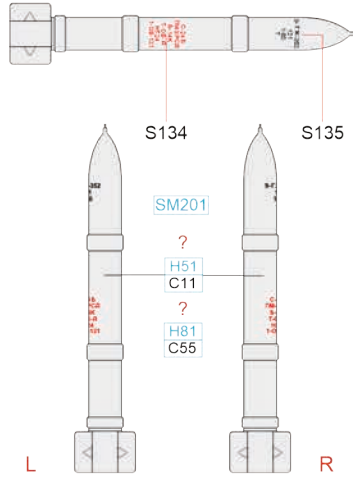
RS-2US

TOP



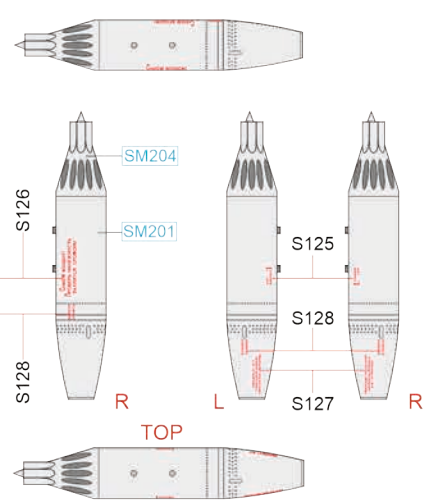
S-24

TOP

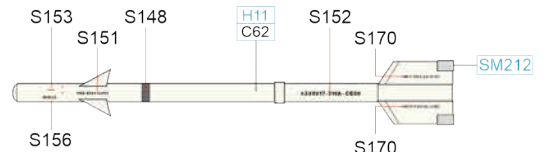


UB-16

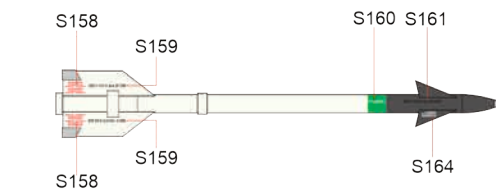
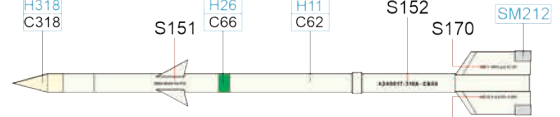
TOP



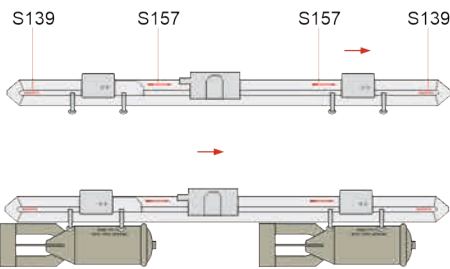
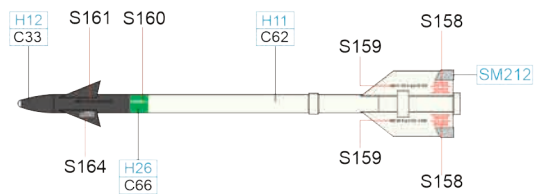
R-3S



R-3R



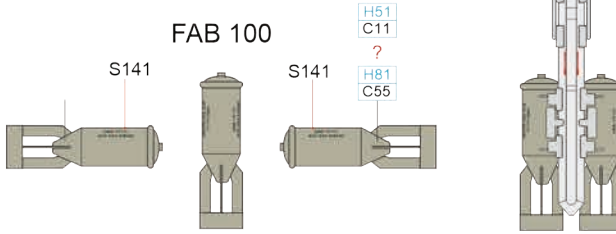
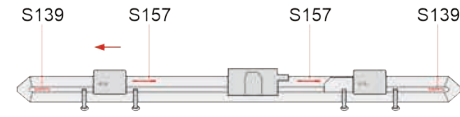
R-13



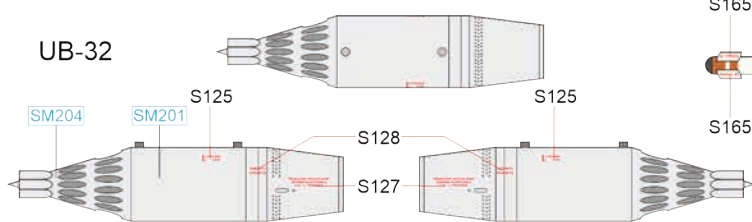
FAB 100

MBD2

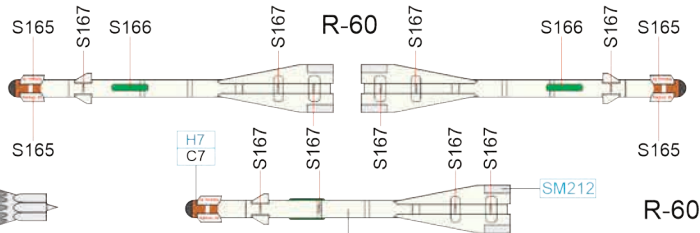
TOP



FAB 250

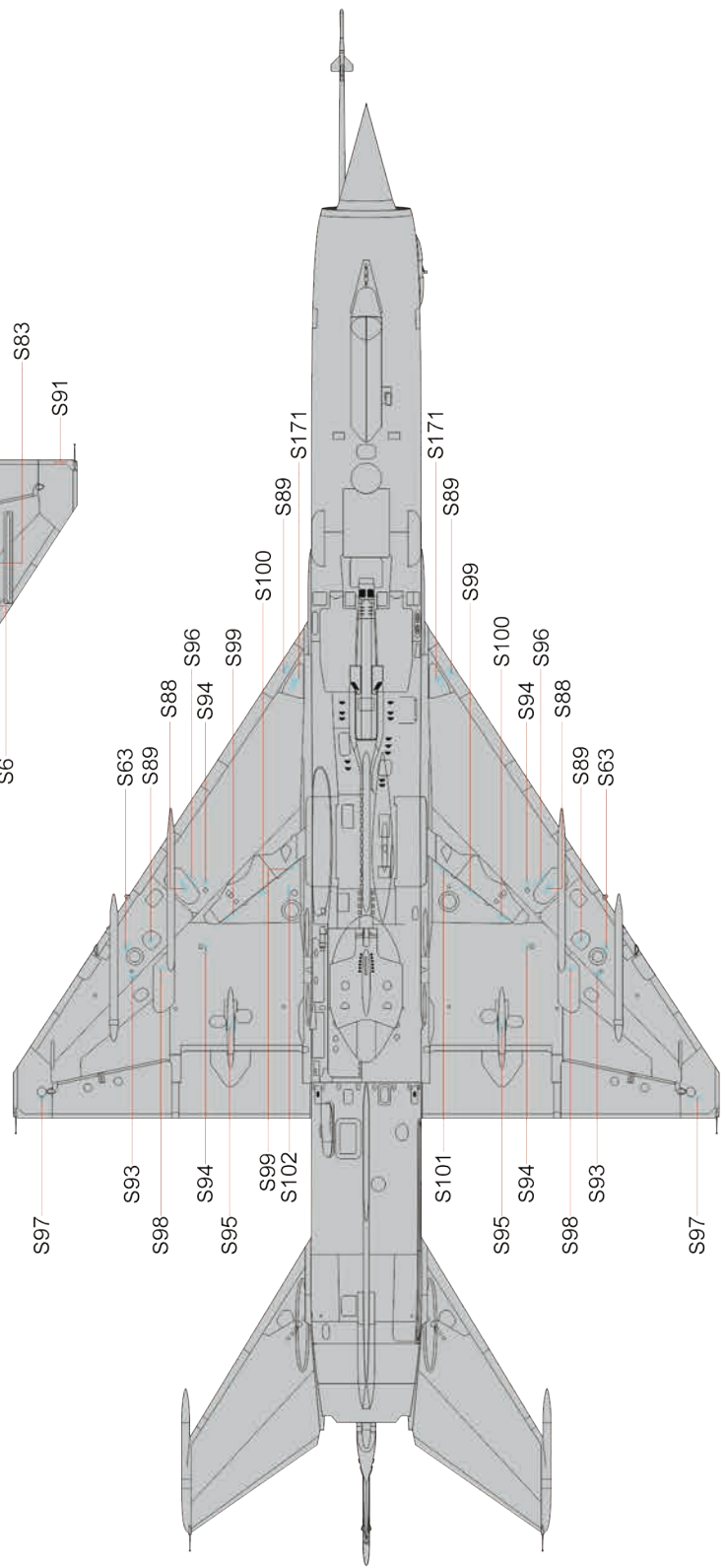
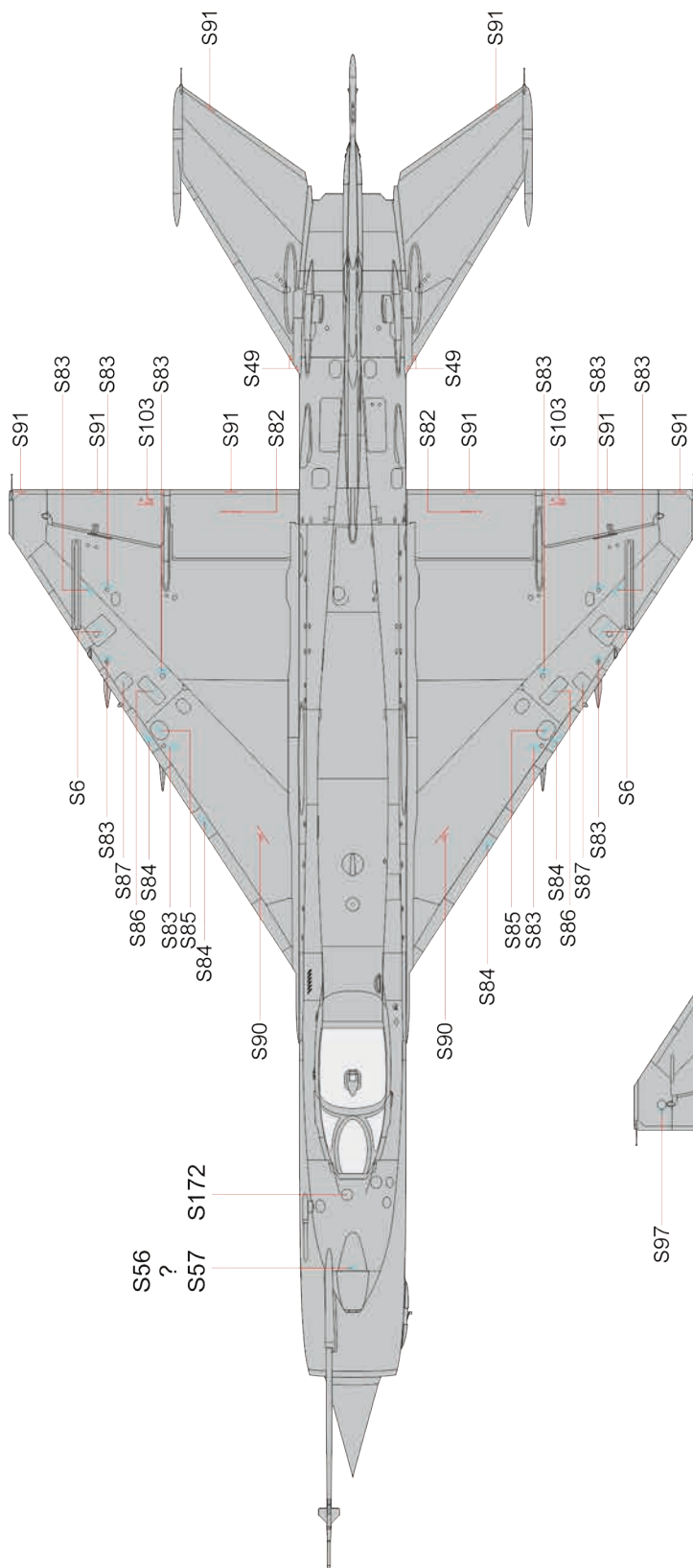


UB-32



R-60

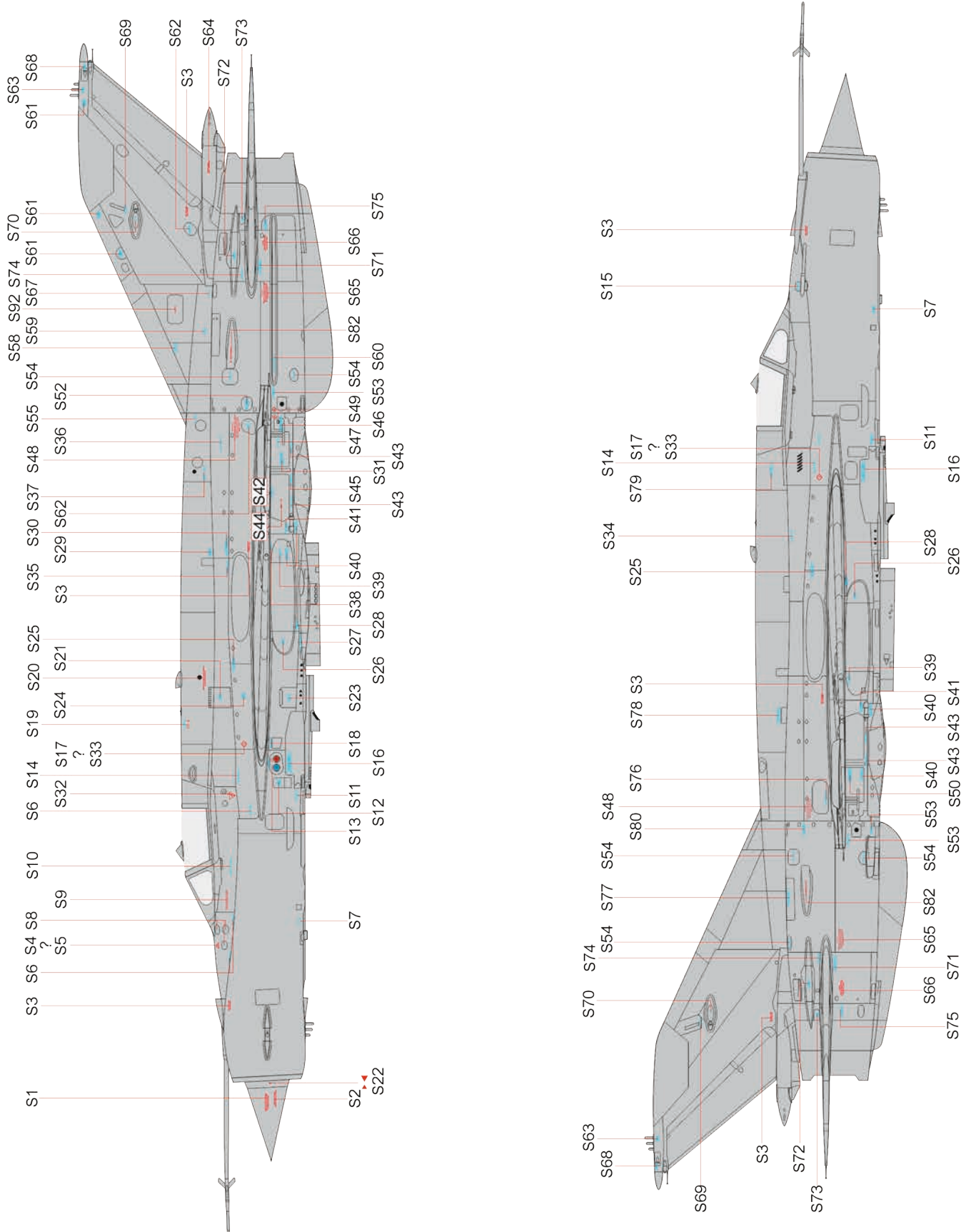
R-60



RED STENCILS - MARKINGS **B C D E F G H I**

BLUE STENCILS - MARKINGS **B L**

BLACK STENCILS - MARKINGS **C D E F G H**

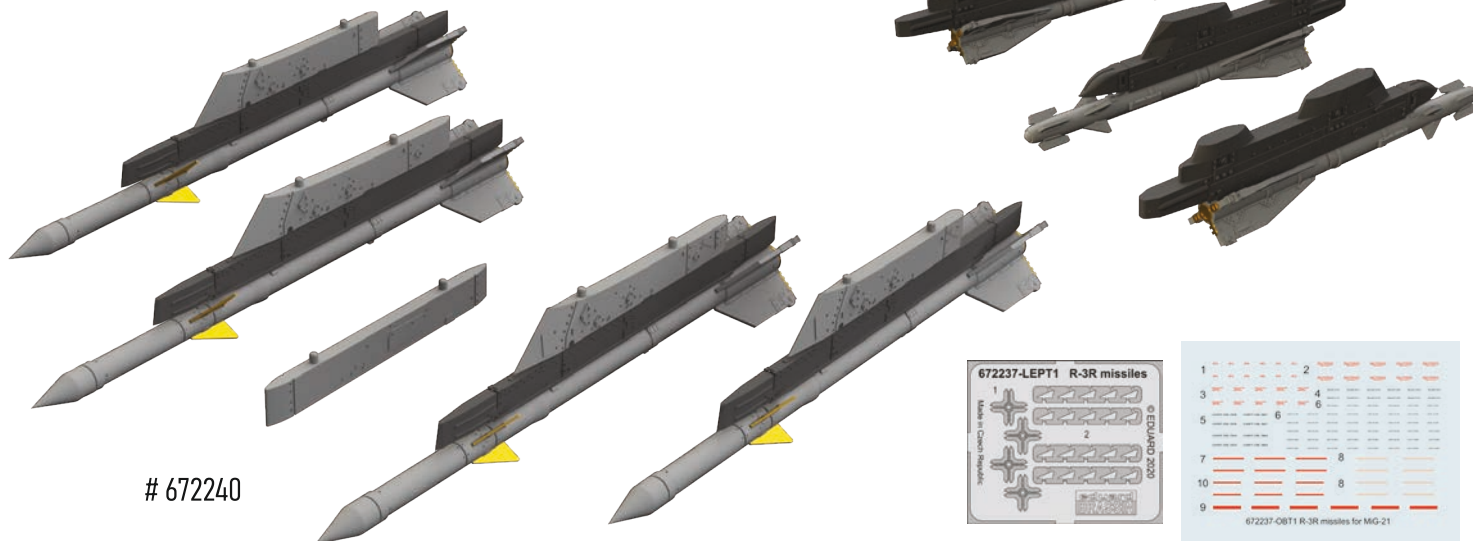




# Eduard goodies for

# MiG-21bis 1/72

- 672149 R-60 / AA-8 Aphid (Brassin)
- 672240 R-3R missiles w/ pylons for MiG-21 (Brassin)
- 3DL72064 MiG-21bis SPACE (3D Decal Set)
- D72055 MiG-21bis stencils (Decal Set)



## Eduard also offers the following kits:

# 70142



# 7469



# 70144



# 7458

