



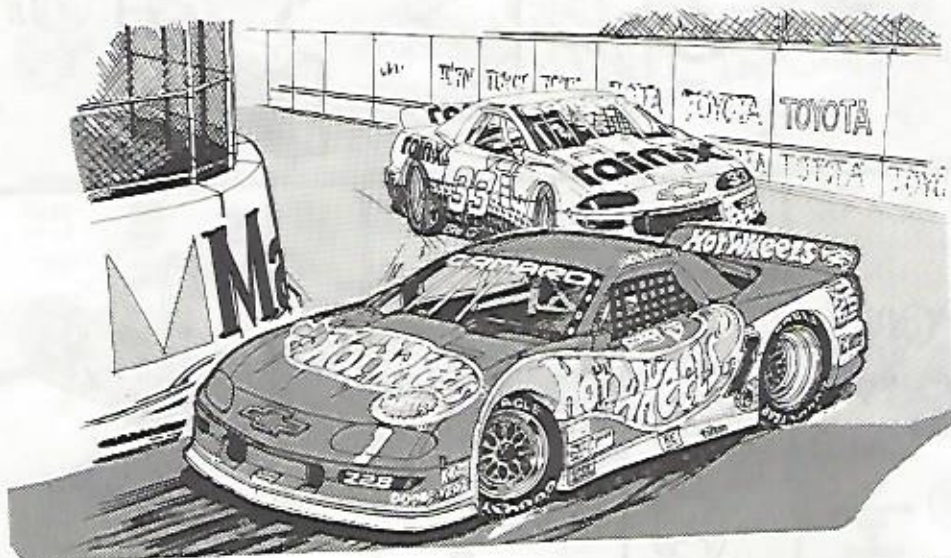
CAMARO TRANS AM RACE CAR

KIT 7357

1/25 SCALE 1/25 ECHELLE ESCALA 1/25

7357 R 4200

REVELL, INC. Morton Grove, IL. Copyright © 1994 All rights reserved. Made in U.S.A.



Using identically prepared all-new 1993 Chevrolet Camaros, Buz McCall's American Equipment Racing Team entered the Trans-Am tour as the defending champions. Jack Baldwin, driving the Hot Wheels Camaro, won only one race in 1991, but his strong finishes earned him second place in the Drivers championship, behind his teammate Scott Sharp. In the 1992 tour, however, Jack won two of the eleven races, and this time, his performance resulted in his first time, his performance resulted in his first Trans-Am championship. Scott Sharp finished four points behind, making it a record 1-2 sweep for American Equipment Racing. Baldwin and Sharp had eleven victories between them in those years.

While winning his title, Jack Baldwin became the first driver in Trans-Am history to completed every possible lap in a season, (503 of 503). He had finished the 1993 season as a defending champion by

the last two races and became just the second driver in Trans-Am history earn over \$100,000 in three different seasons, with \$113,450 in 1993. Thanks to Jack and his Hot Wheels crew, Chevy won its third-straight Manufacturers Championship in 1992. Chevrolet holds the record for most manufacturers' titles earned in 28 years, scoring 13, and Camaro is the winningest model in Trans-Am history.

Your Hot Wheels Camaro replica features a full tube frame racing chassis designed and constructed by Riley & Scott, Inc. of Indianapolis, Indiana. The powerplant is a 570 h.p. Katech, Inc Prepared 310 cu. in. Chevy V8. Per SCCA, the sleek fiberglass body uses a production roof and windshield. The fully assembled car weighs 2550 pounds and rides on modular aluminum BBS wheels shod with Goodyear Eagle Racing tires. It all builds up to an impressive entry from a competitive team with a winning attitude.

READ THIS BEFORE YOU BEGIN

- Study the assembly drawings
- Each plastic part is identified by a number
- In the assembly drawings, some parts will be marked by a star (*) to indicate pre-cut plastic
- Scrape paint from areas to be cemented
- Check the fit of each piece before cementing
- In place
 - Do not use too much cement to join parts
 - Use only cement for polystyrene plastic
 - Model may be painted to match photos on box
 - Allow paint to dry thoroughly before handling parts
 - Scrape paint from areas to be cemented
 - For better paint and decal adhesion, wash the plastic parts in a mild detergent solution. Rinse and let air dry.

LEA ESTO ANTES DE EMPEZAR

- Estudie los dibujos de ensamblaje
- Cada pieza de plástico se identifica por un número
- En los dibujos de ensamblaje, algunos números de las piezas están marcados con una estrella (*) para indicar plástico laminado

- Raspe el laminado de las superficies que serán pegadas
- Verifique que cada pieza encaje bien antes de pegar en posición
- No use demasiado pegamento para unir las piezas
- Use únicamente pegamento para plástico de poliestireno
- El modelo puede pintarse de acuerdo con las fotografías de la caja
- Permita que se seque la pintura completamente antes de tocar las piezas
- Raspe la pintura de las superficies que serán pegadas
- Para una mejor fijación de la pintura y de las calcomanías, lávese las piezas plásticas en una solución de detergente suave. Enjuáguese y déjese secar al aire

LISEZ CE QUI SUIT AVANT DE COMMENCER LE MONTAGE

- Etudiez les schémas d'assemblage
- Chaque pièce plastique porte un numéro d'identification

- Sur les schémas d'assemblage, les pièces dont le numéro comporte une astérisque (*) sont en plastique chromé
- Grattez le chromage sur les surfaces à coller
- Contrôlez que chaque pièce soit bien conforme avant de la coller à sa place
- N'utilisez pas trop de colle pour réunir les pièces
- Utilisez uniquement une colle spéciale pour polystyrène
- Le modèle peut être peint conformément aux photos sur la boîte
- Laissez sécher la peinture complètement, avant de manipuler les pièces
- Grattez la peinture sur les surfaces devant être collées
- Pour assurer la meilleure adhésion possible de la peinture et des calcomanies, lavez les pièces de plastique avec une légère solution savonneuse. Rincez et laissez sécher à l'air



DECAL (DP) IN WATER
DECALOMARKE IN FLUIDIG WASSER
DECALOMARK INFLUÏZ OEN WASSER



DO NOT CEMENT
NE PAS COLLER
NO USE PEGAMENTO



REMOVE AND THROW AWAY
À RETIRER ET JETER
QUITE IT TIME



REPEAT SEVERAL TIMES
À RÉPÉTER PLUSIEURS FOIS
REPETA VARIAS VECES



OPTIONAL PARTS
PIECES IN OPTION
PIECES OPTIONNELLES

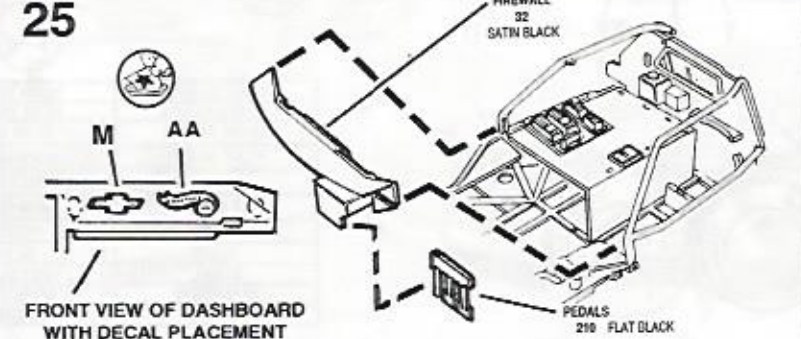
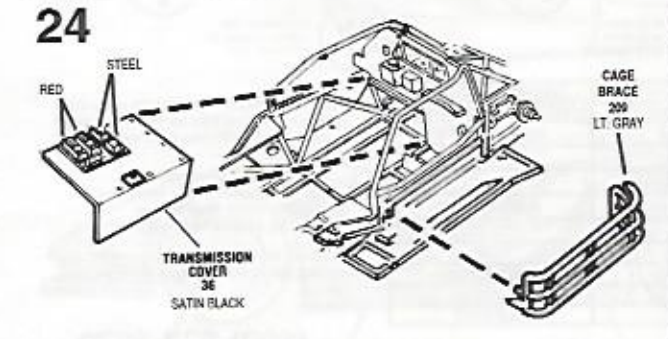
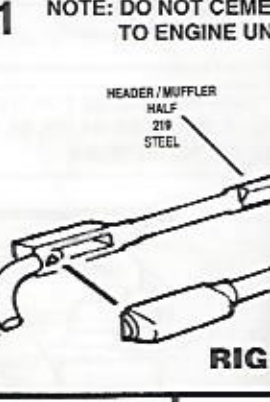
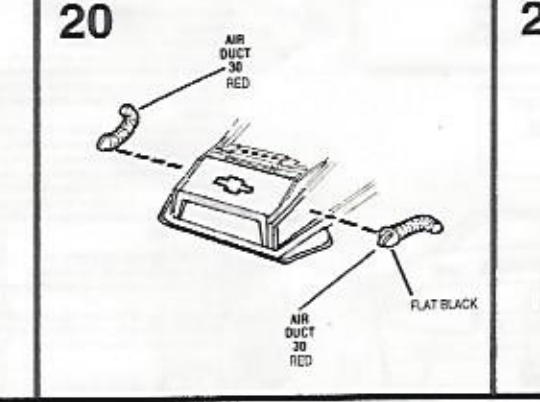
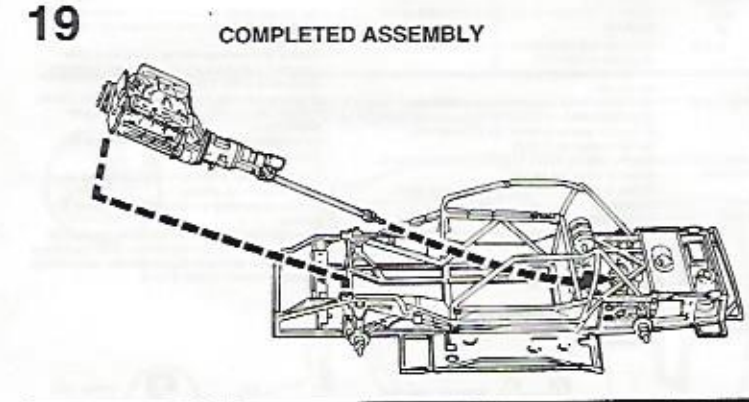
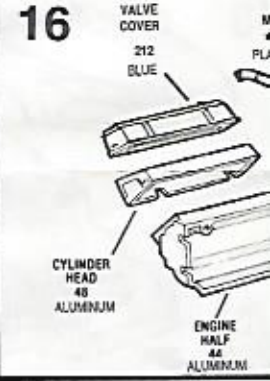
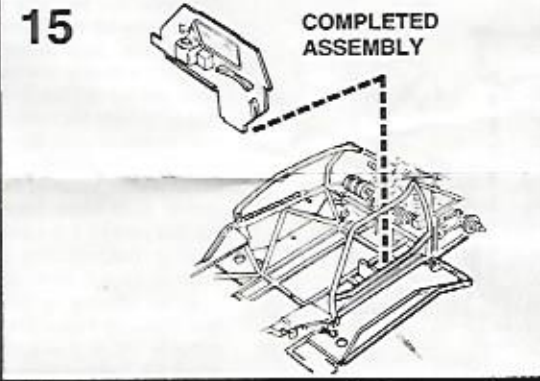
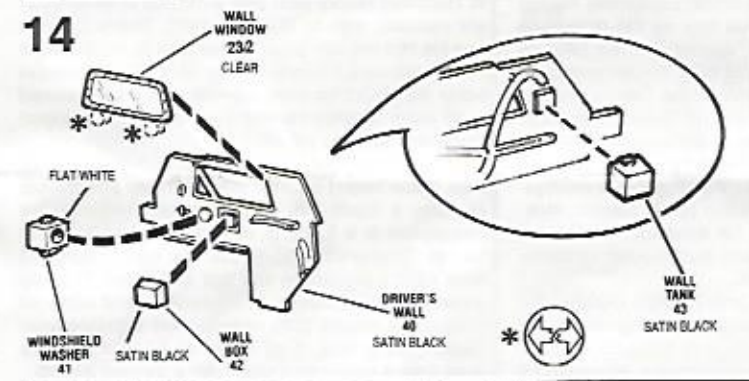
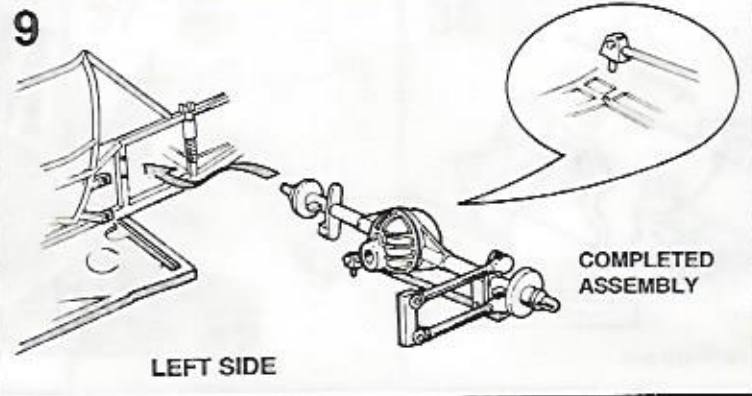
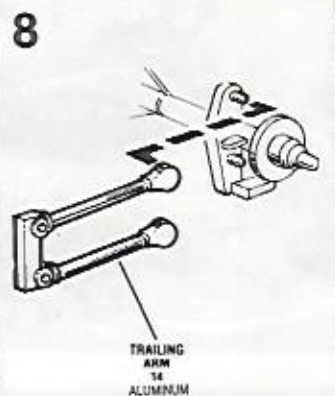
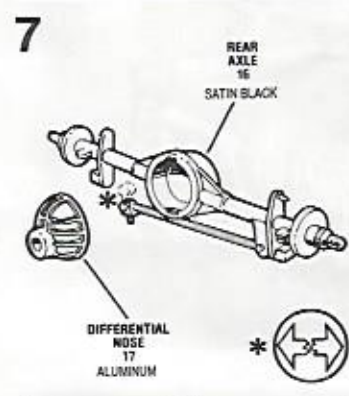
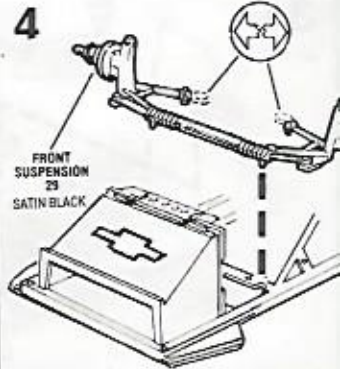
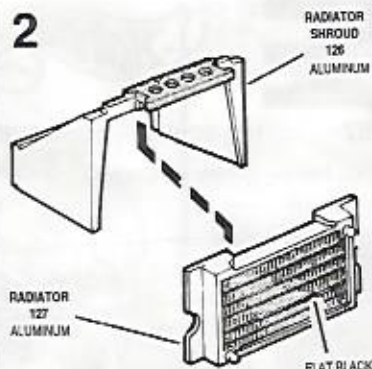
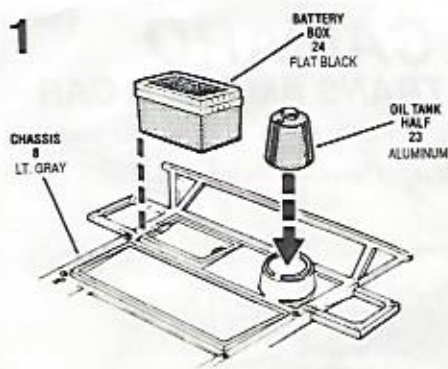
FLAT BLACK	NOIR TERNE	NEGRO APAGADO
GLOSS BLACK	NOIR TERNE	NEGRO BRILLANTE
SATIN BLACK	NOIR MAT	NEGRO MATE
FLAT WHITE	BLANC	BLANCO
WHITE	BLANC	BLANCO
LT GRAY	GRIS CLAIR	GRIS CLARO
RED	ROUGE	ROJO
BLUE	BLEU	AZUL
STEEL	METALLIC	METALICO
ALUMINIUM	ALUMINIUM	ALUMINIO
GOLD	DORE	DORADO

Revell, Incorporated has put forth every effort to create and manufacture the finest model kit available. If a part may be missing, please write to:

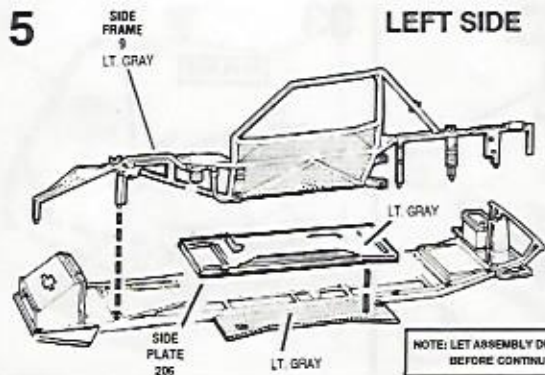
Revell, Incorporated
Consumer Service Department
301 North Third Avenue
Des Plaines, Illinois 60016

Be sure to include the kit number, part number, description, and your return address.

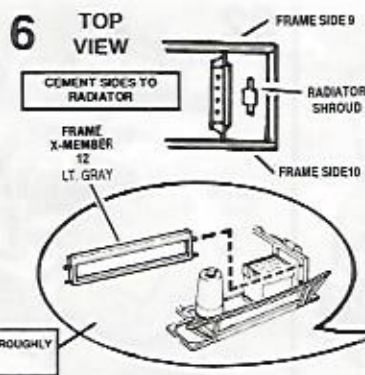
Many have problems building this model, call our modeling tips hotline at: (800) 833-3570



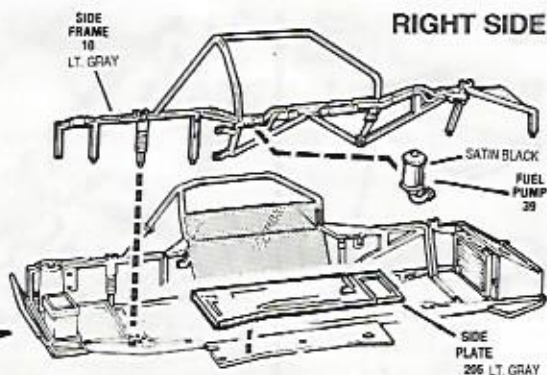
5 LEFT SIDE



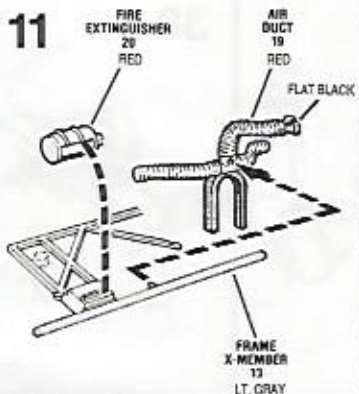
6 TOP VIEW



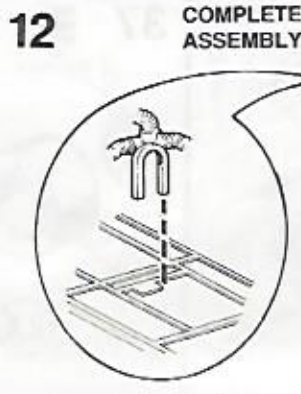
RIGHT SIDE



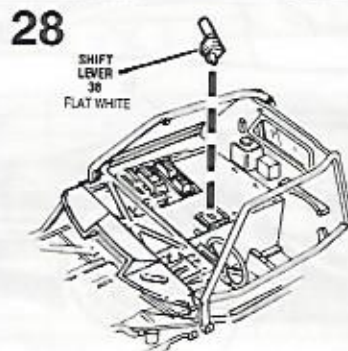
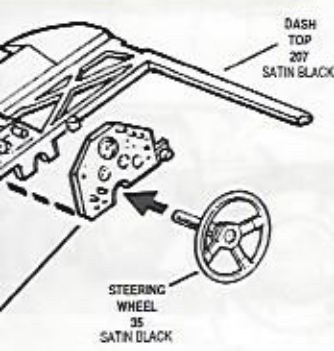
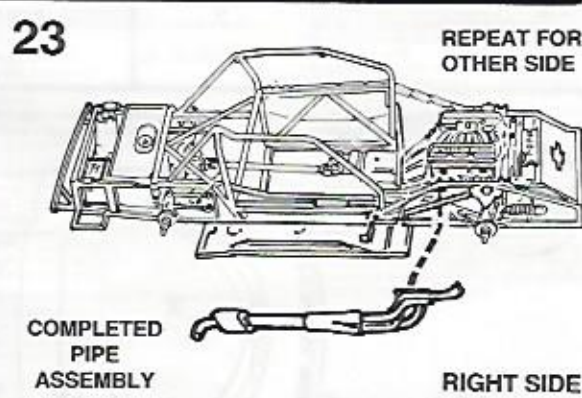
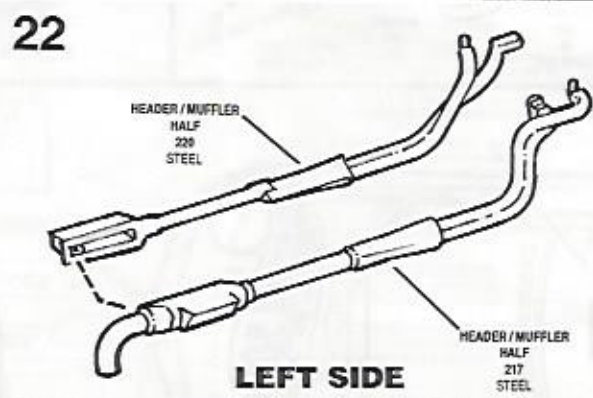
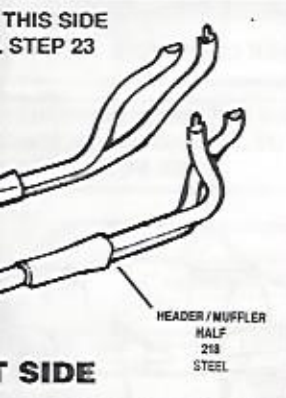
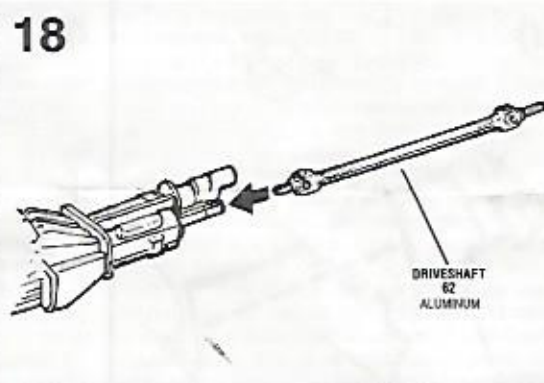
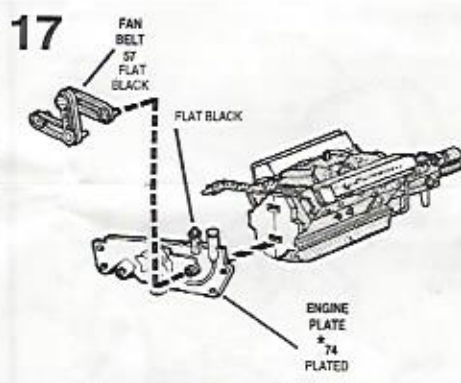
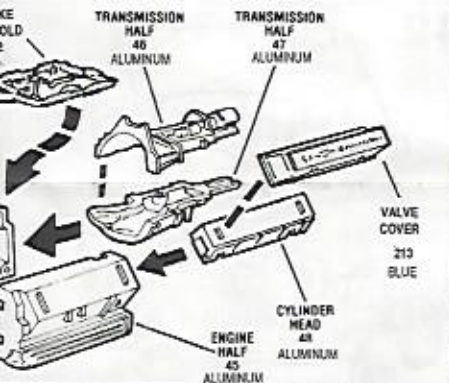
11

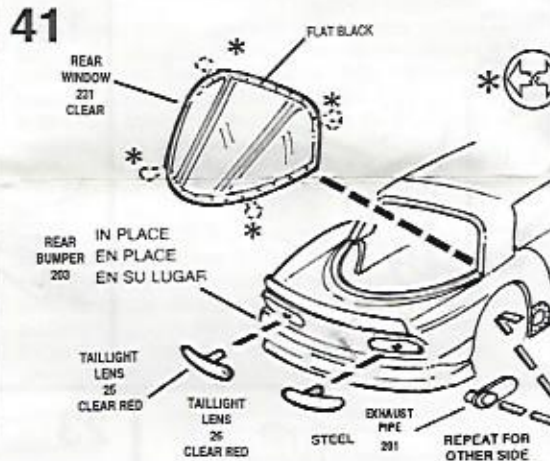
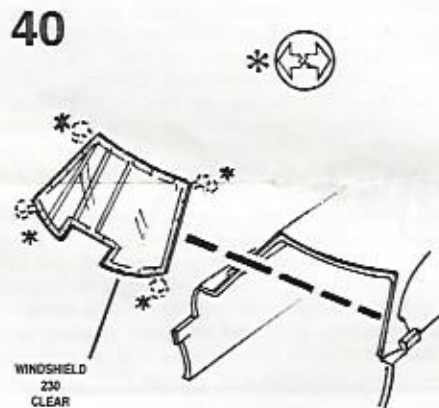
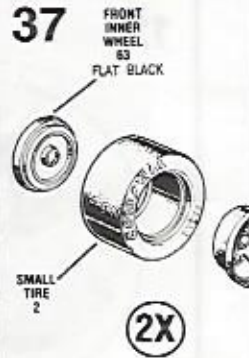
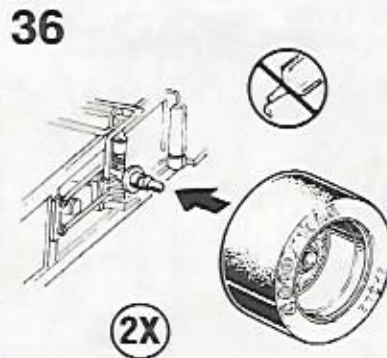
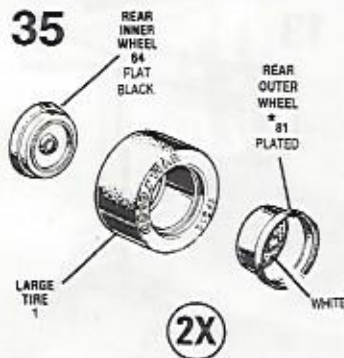
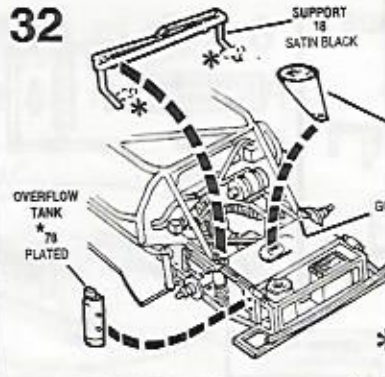
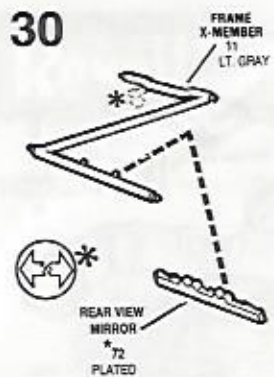


12 COMPLETED ASSEMBLY

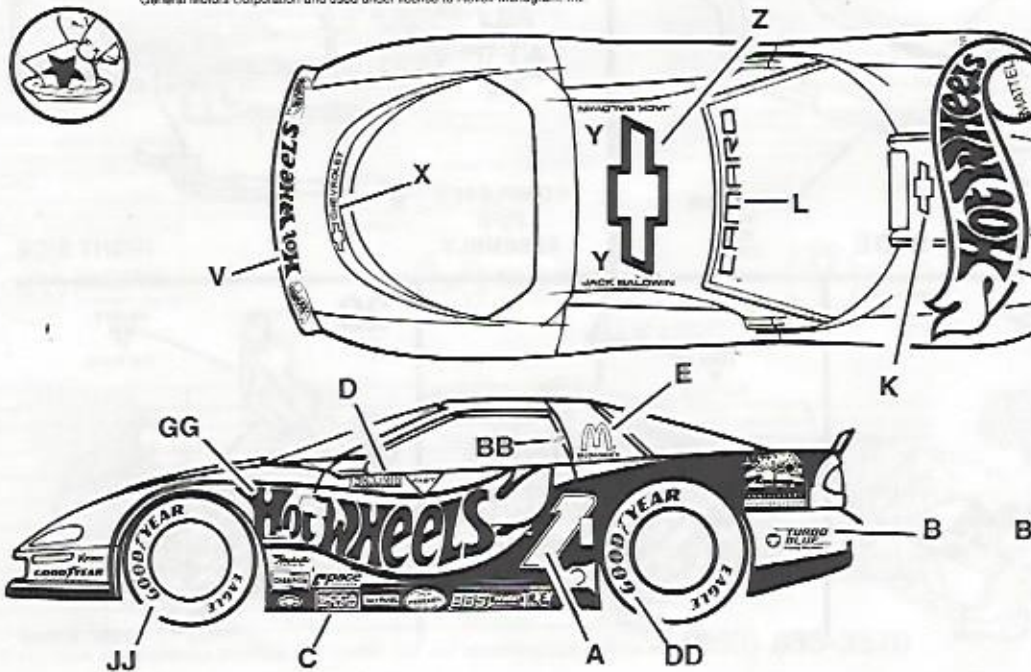


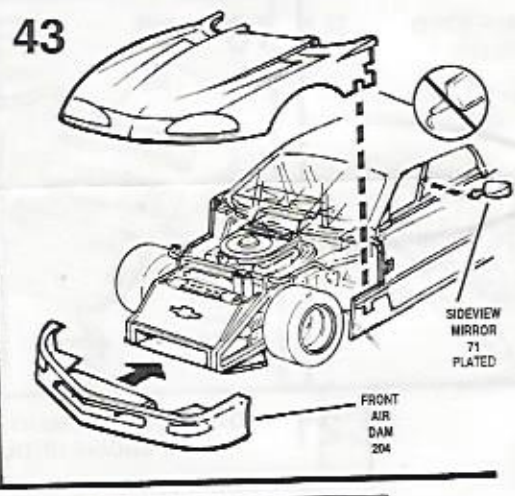
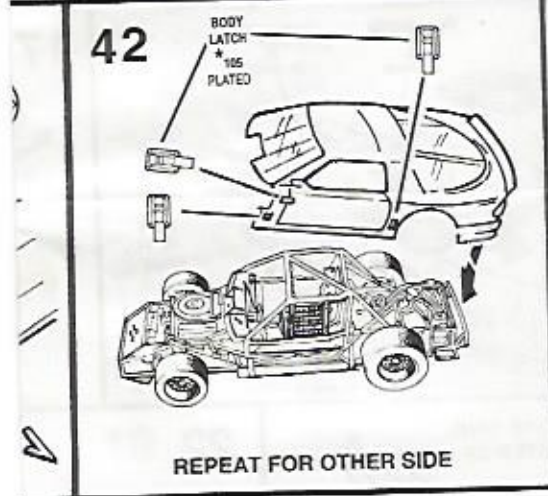
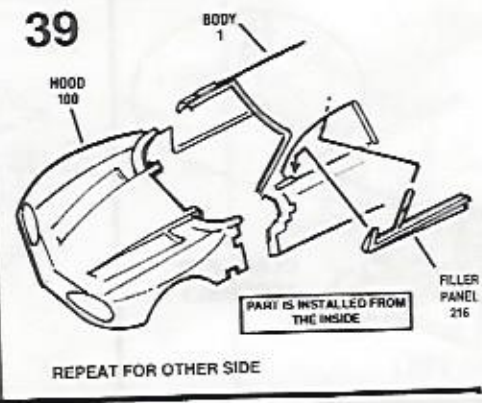
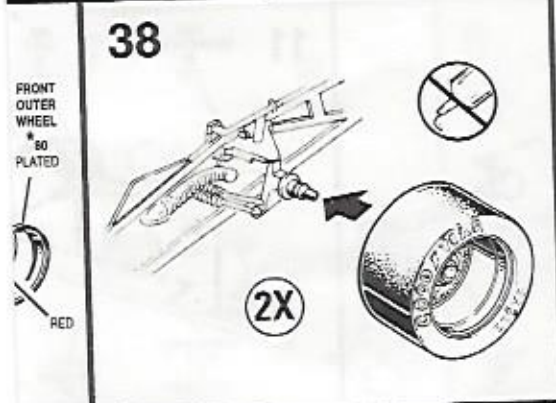
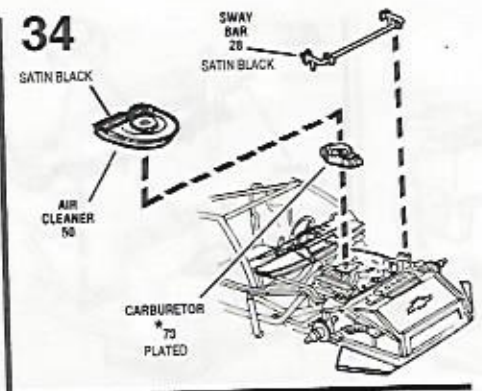
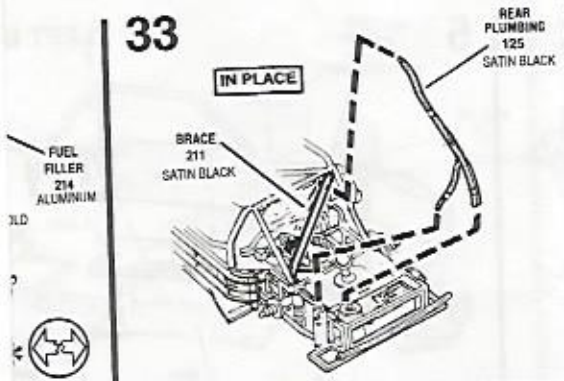
13





Chevrolet, Chevy, Camaro, the Bow Tie emblem, and the Camaro body design are trademarks of Chevrolet Motor Division, General Motors Corporation and used under license to Revell-Monogram, Inc.





THESE REMAINING PARTS ARE NOT NEEDED FOR THIS KIT, AND MAY BE DISCARDED. 7, 22, 27, 33, 34, 49, 51, 52, 53, 54, 56, 58, 60, 65, 66, 67, 70, 76, 77, 84

