



# Instructions for the assembly of 548 COVERED MODULAR FOOTBRIDGE OO gauge

## BEFORE YOU BEGIN ASSEMBLY

Please read the instructions carefully right through. Decide on the final form of your model before making a start. Although this kit is designed to be easily adapted and extended using multiple kits, these instructions show you how to build a first class model from the parts as supplied.

## ADHESIVES

We recommend a liquid polystyrene cement for the building of all plastic components.

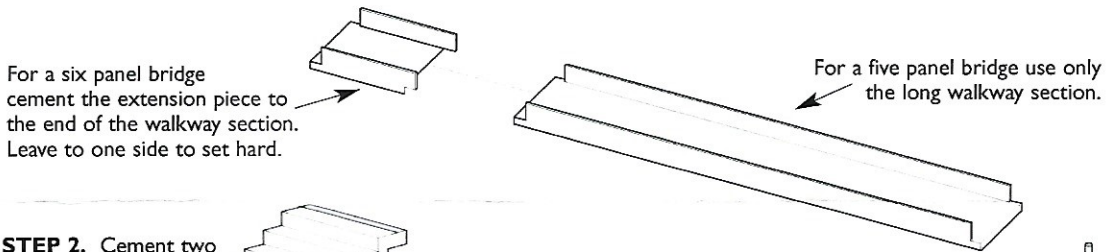
## ASSEMBLY

Always use a sharp knife to remove parts from sprues to avoid damage; small components are best painted before removing from runners. Please refer to painting instructions at every stage. Apart from a knife you will require tweezers, needle file and fine wet'n'dry paper.

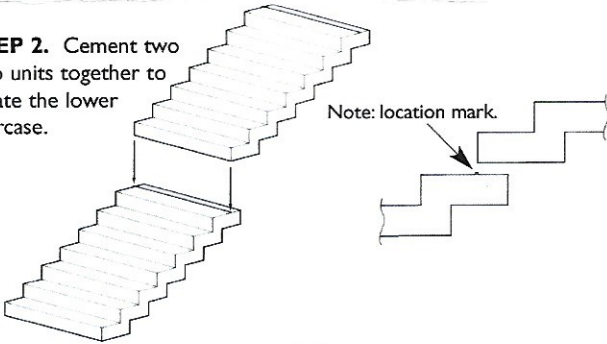
### This kit contains the following injection moulded parts.

- 2 sprues containing steps, landings and handrail parts.
- 1 sprue containing walkway and handrail parts.
- 2 cream sprues of lattice panels and transom parts.
- 2 green sprues of columns, stanchions and transom parts.
- 2 grey sprues containing roof parts.

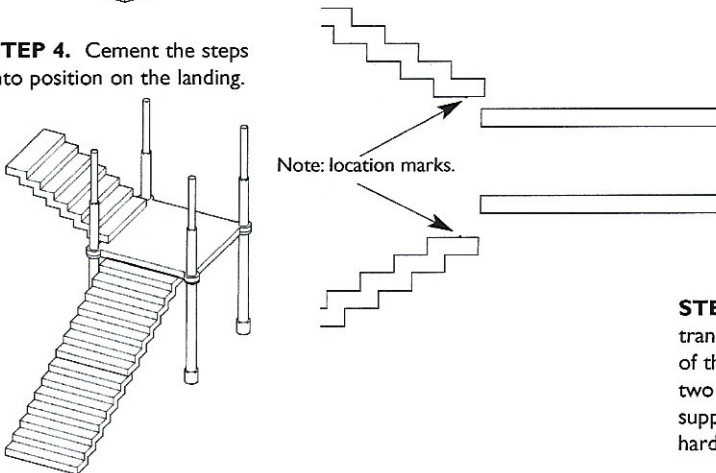
**STEP 1.** Decide on the configuration of your bridge. Firstly, the length. The options are (a) a centre span of five panels, giving an overall span of 180mm between columns, or (b) a six panel bridge (205mm). Note that each of the lower staircases can be modelled in any one of three positions. See diagram on back page.



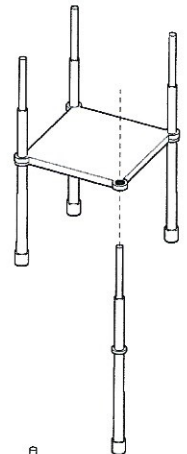
**STEP 2.** Cement two step units together to create the lower staircase.



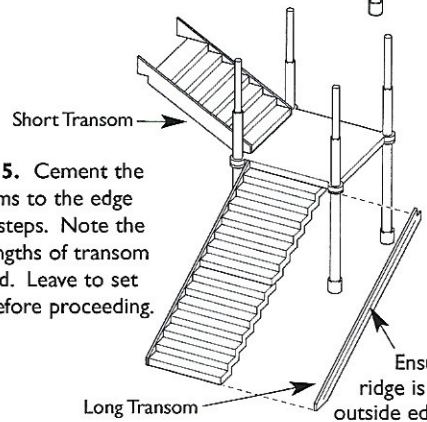
**STEP 4.** Cement the steps into position on the landing.



**STEP 3.** Locate the four columns through the landing section, by easing them upwards through the locating holes. Carefully check that all four columns are perpendicular and cement into place.

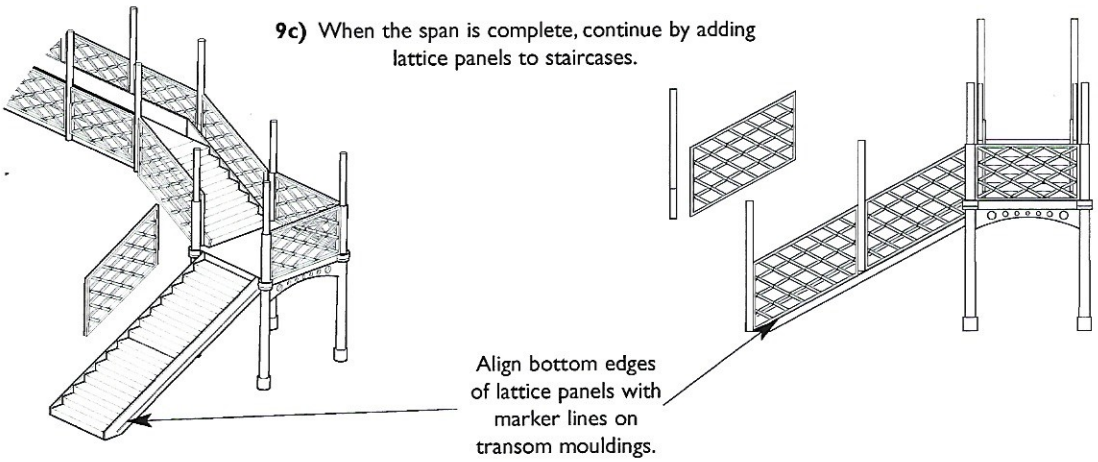


**STEP 5.** Cement the transoms to the edge of the steps. Note the two lengths of transom supplied. Leave to set hard before proceeding.

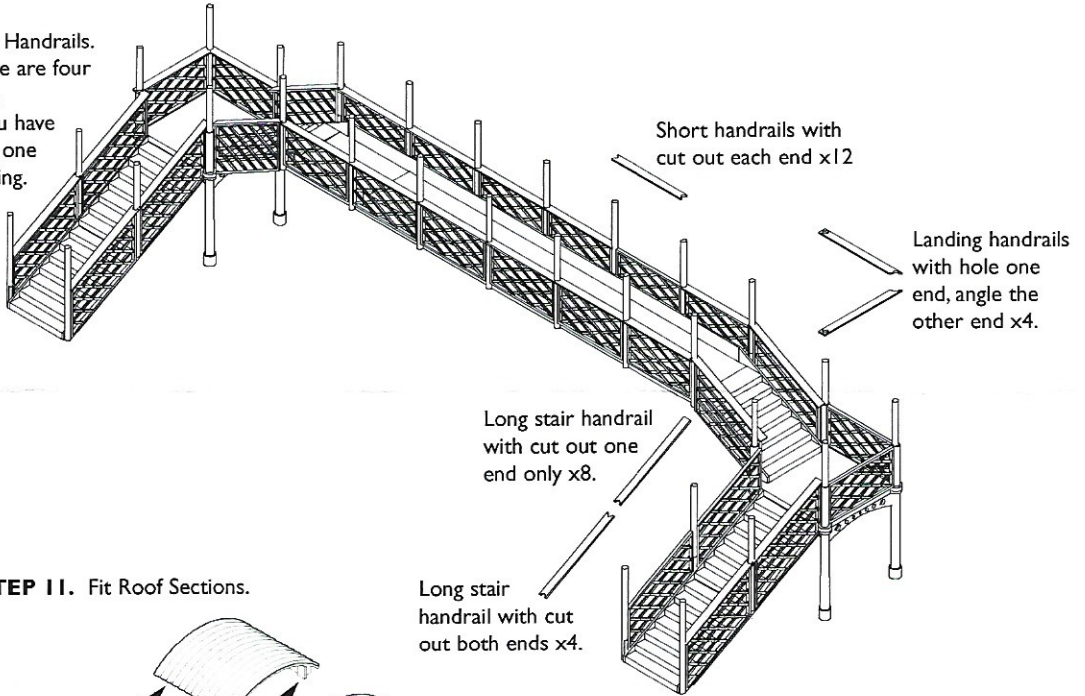


**STEP 6.** Repeat steps 2 to 5 to make the other staircase, remembering to check the orientation of the steps with regard to the configuration required.

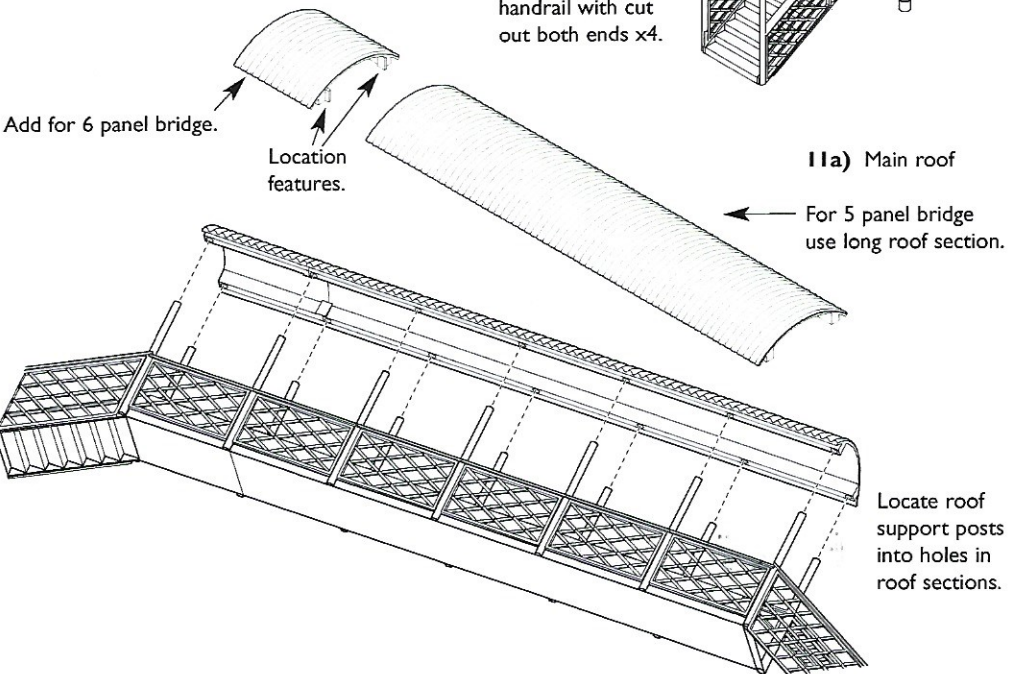
9c) When the span is complete, continue by adding lattice panels to staircases.



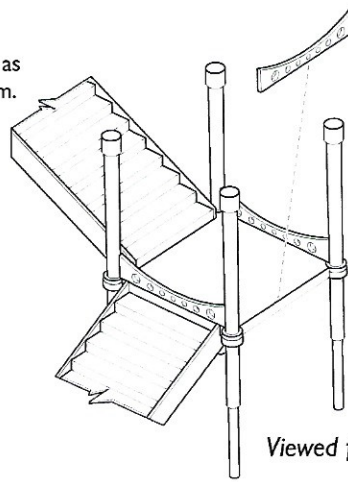
**STEP 10. Fit Handrails.**  
Note that there are four different types.  
Ensure that you have identified each one before cementing.



**STEP 11. Fit Roof Sections.**

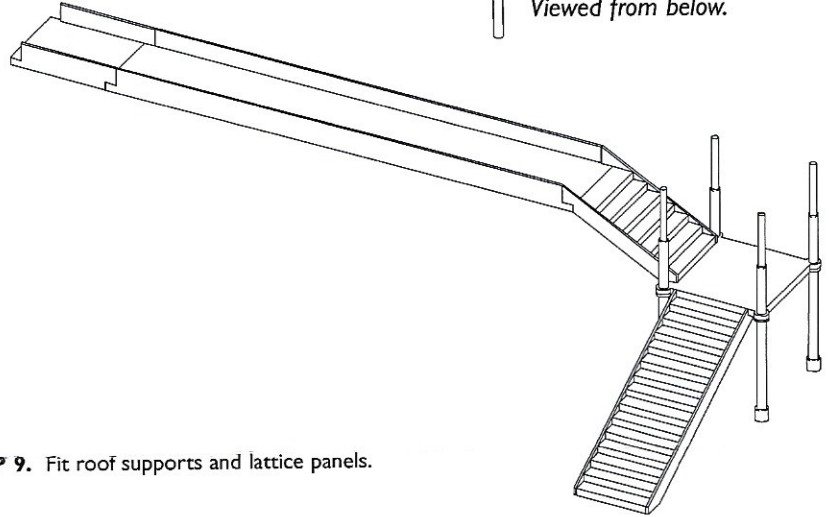
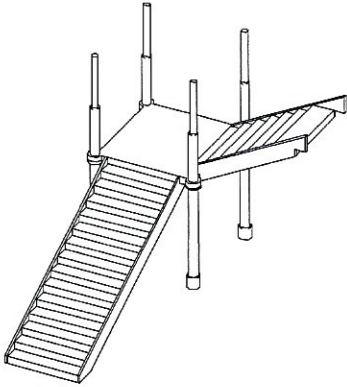


**STEP 7.** Fit landing support brackets as shown to be flush with edge of platform.



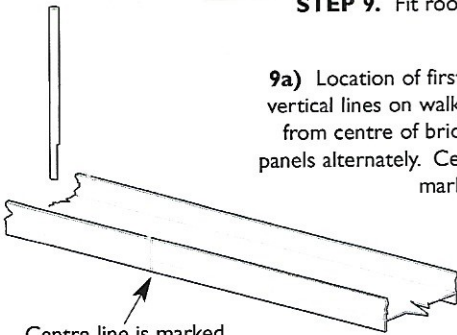
*Viewed from below.*

**STEP 8.** Complete the main structure of the bridge by cementing the stair units to the walkway

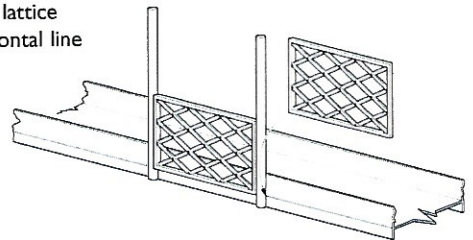


**STEP 9.** Fit roof supports and lattice panels.

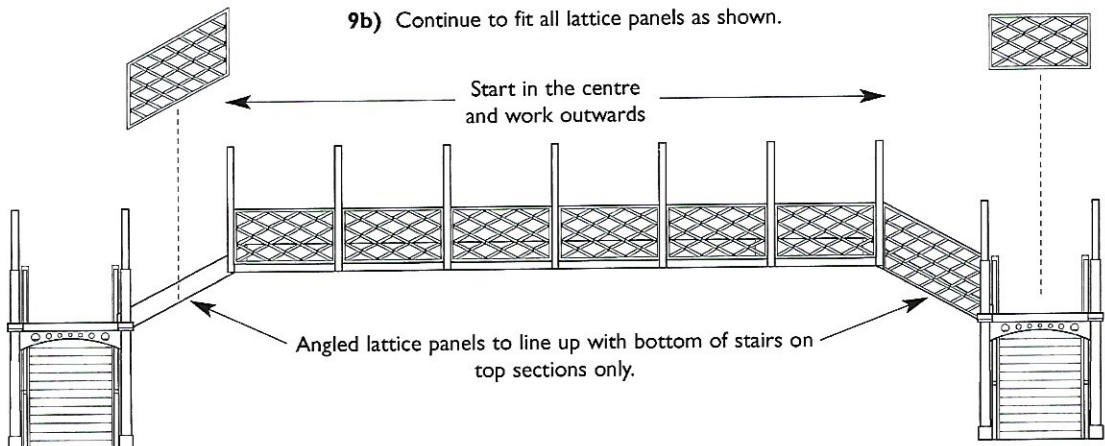
**9a)** Location of first roof support is marked by two vertical lines on walkway mouldings. Work outwards from centre of bridge, adding supports and lattice panels alternately. Cement panels along horizontal line marked on walkway.



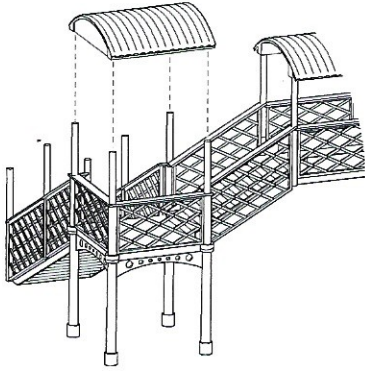
Centre line is marked by double line.



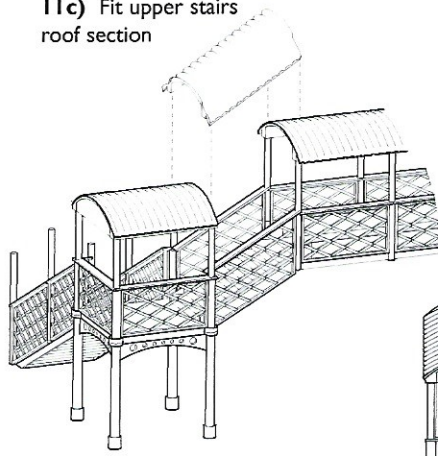
**9b)** Continue to fit all lattice panels as shown.



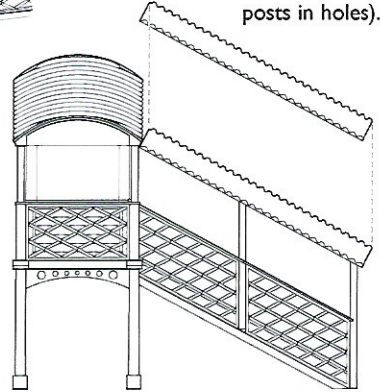
**11b) Fit landing roof section**



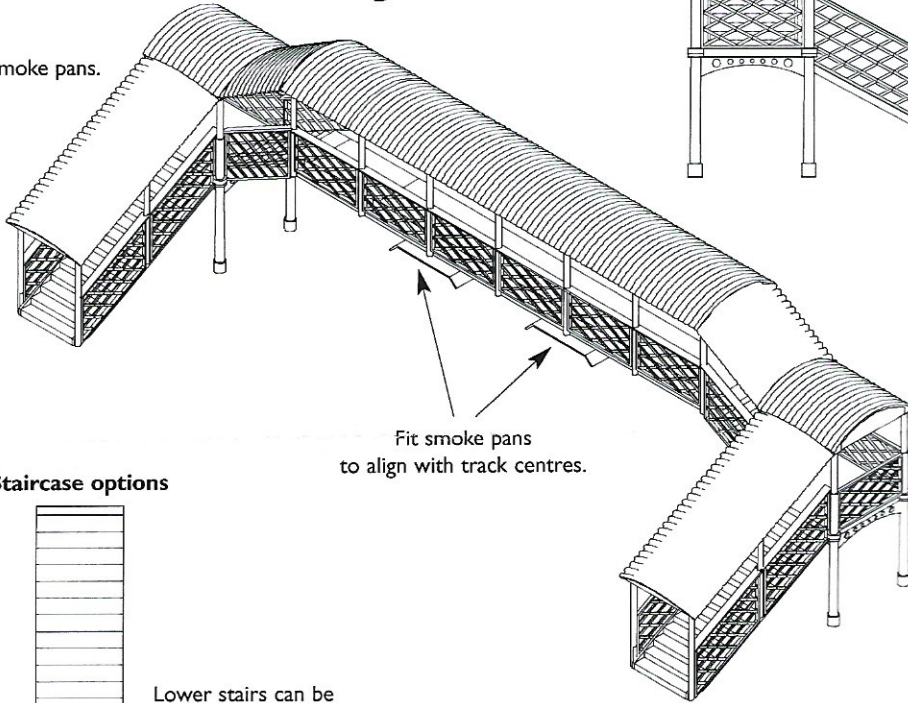
**11c) Fit upper stairs roof section**



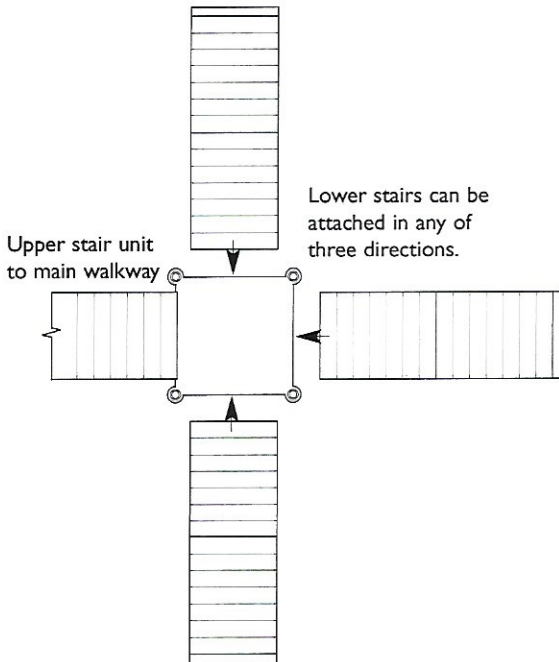
**11d) Fit lower stairs roof section (locate posts in holes).**



**STEP 12. Fit smoke pans.**



**Staircase options**



Lower stairs can be attached in any of three directions.

**Painting Advice**

A bridge of this type could be seen on any British railway, including many colonial railways overseas.

Before painting, research the period/location of your layout to find the correct colour scheme. The paint schemes of many bridges has changed over the years and finding the right colour will help any model railway look more authentic.

Any parts to be painted, should be painted before removing from sprue. Ensure that the paint is fully dry before glueing in position, otherwise the paint could run when glueing joints. Scrape paint off jointing surfaces before cementing.

**GUARANTEE**

This product is guaranteed in accordance with the high quality for which Ratio is world renowned. Should you require any further information you are invited to write to the address below, quoting the packing reference number on the left.

**F 273180**

WE HOPE YOU ENJOY BUILDING THIS KIT AND RECOMMEND YOU EXPLORE OTHERS IN OUR EXPANDING RANGE OF RATIO LINESIDE KITS