

# SH-60B

## "SEAHAWK"



SH-60B "Seahawk". The success of the U.S. Army UH-60B "Blackhawk" encouraged the U.S. Navy to seek a dedicated version of this helicopter. The result is the SH-60B "Seahawk". Armed with a variety of highly-sophisticated anti-submarine electronics and weaponry, the "Seahawk" is on line as one of the Navy's primary ASW aircraft and promises to continue in that role for the future.



SH-60B "Seahawk". C'est lo succès de l'U.S. Army UH-60B "Blackhawk" qui encouragea lá marine à utiliser uno version spéciale de cet hélicoptère. Le résultat est le SH-60B "Seahawk". Armó d'uno grande variété d'armos sous marines et d'uno électronique sophistiquées, lo "Seahawk" est l'un des appareils antisous-marin los plus efficaces, et il continuera á tenir co rôlo dans lo futur.



SH-60B "Seahawk". Nach dem Erfolg des UH-60B "Blackhawk" der U.S. Army, wünschte sich die U.S. Navy ebenfalls eine eigene Version dieses Helikopters: somit entstand der SH-60B "Seahawk". Mit vielfältiger hochentwickelter U-Boat-Abwehr-Elektronik und Bewaffnung ausgerüstet ist der "Seahawk" zur Zeit als Haupt-ASW-Maschine der U.S. Navy eingesetzt und wird sicherlich diese Bedstutung zukünftig weiterhin behalten.



SH-60B "Seahawk". Il successo del "Falco Nero" UH-60B Dell 'Esercito delgi Stati Uniti, incoraggio' la Marina Militare a proporre una versione particolare di questo elicottero. Ne e' il risultato il "Falco Marino" SH-60B. Equipaggiato con armamenti elettronici anti-sottomarino altamente sofisticati, il "Falco Marino" e' uno dei piu' importanti velivoli della Marina Militare e promette di mantenere nel tempo il suo ruolo di primaria importanza.



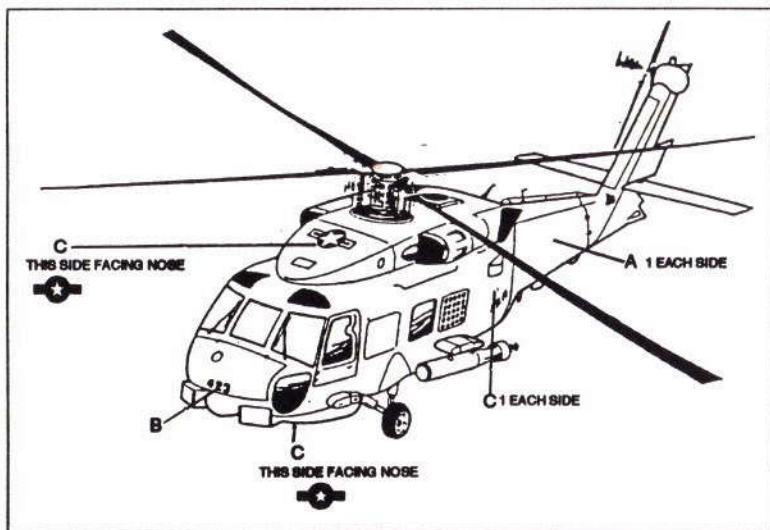
SH-60B "Seahawk". El éxito obtenido en la U.S. Army animó a la U.S. Navy a buscar una versión adecuada de este helicóptero. El resultado es el SH-60B "Seahawk" armado con una variedad de armamento altamente sofisticado y electrónica anti-submarinoes, el "Seahawk" está en la línea de uno de los primeros aparatos ASW y promete continuar en ese papel para el futuro.

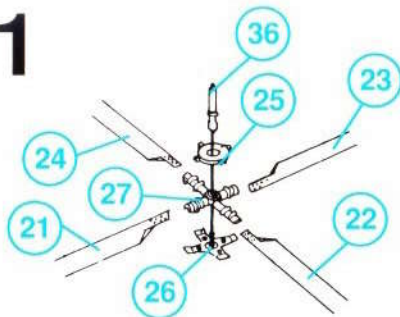
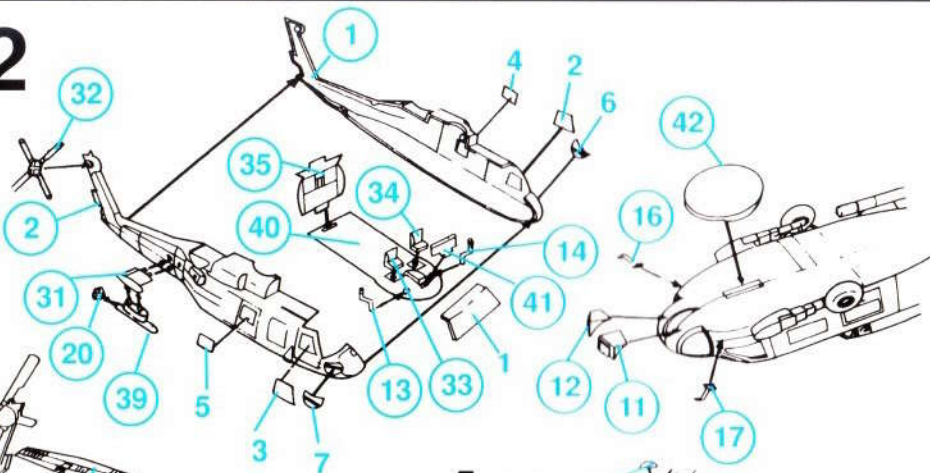
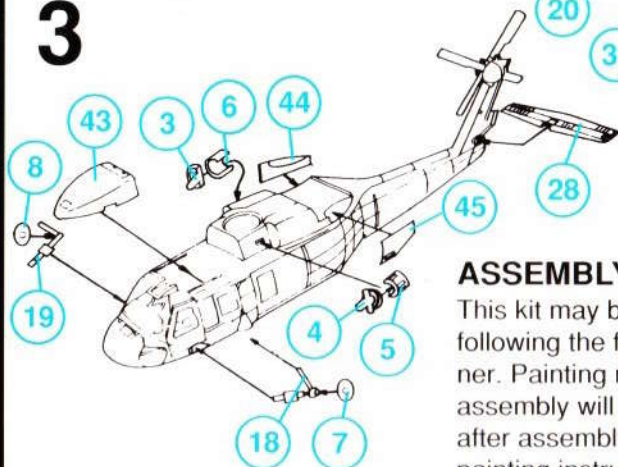
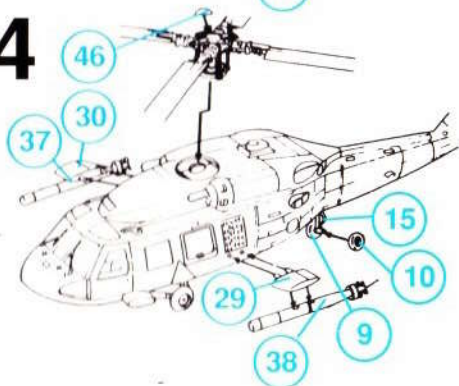
# PAINTING INSTRUCTIONS

# SH-60B "SEAHAWK"

| PART NO.  | FS NO. | ENG             | GER           | FRA         | ITAL           | SPA          |
|---|--------|-----------------|---------------|-------------|----------------|--------------|
| 7,8,9,10,13,14,41   | 37038  | BLACK           | SCHWARZ       | NOIR        | NERO           | NEGRO        |
| 3,4,20  |        | BURNISHED METAL | METAL POLIERT | METAL-BRUNI | BRONZO         | METAL PULIDO |
| 16,17,33,34,35,37,38,39,40  | 36213  | DARK GREY       | DUNKEL-GRAU   | GRIS FONCE  | GRIGIO SCURO   | GRIS OSCURO  |
| 1,2(DARK GREY INTERIOR)<br>5,6,11,12,15,18,19,28,29,30,31,42,43,44,45 | 36496  | LIGHT GREY      | HELLGRAU      | GRIS CLAIR  | GRIGIO CHIARO  | GRIS CLARO   |
| 21,22,23,24,25,26,27,32,36,46   | 36237  | BLUE GREY       | BLAU GRAU     | BLEU GRIS   | AZZURRO GRIGIO | AZUL GRIS    |

## DECAL PLACEMENT



**1****2****3****4****ASSEMBLY INSTRUCTIONS**

This kit may be simply assembled by following the four steps in a logical manner. Painting many of the parts before assembly will be easier than painting after assembly. Follow the detailed painting instructions on the painting guide card inside this package. This kit contains many small parts and we suggest that they not be removed from the trees until they are needed.