

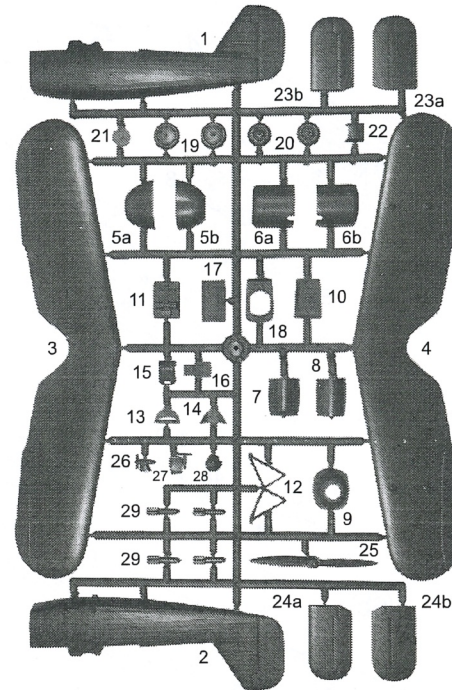
92286

Heinkel He-46C

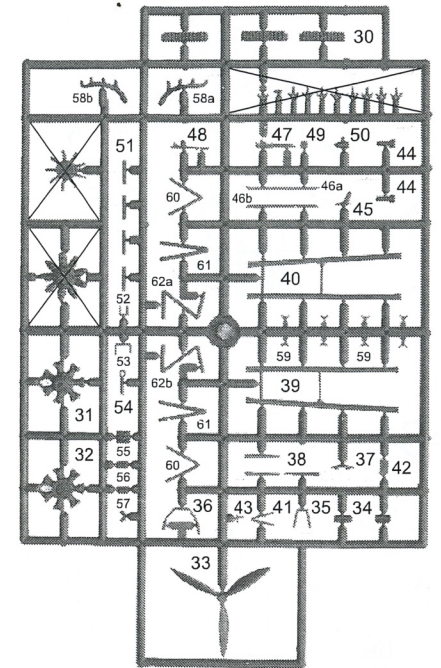
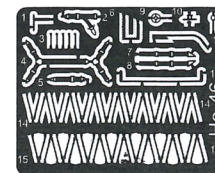
1/72
SCALE

The Heinkel He 46 was a German World War II-era monoplane designed in 1931 for the close reconnaissance and army co-operation roles. While it served with the Luftwaffe's front-line units only briefly at the start of World War II, the He 46 served as late as 1943 as a nighttime nuisance bomber and with the Hungarian Air Force. The He 46 prototype first flew in late 1931; its flight characteristics were good, but design improvements were incorporated. In 1933, production started on the He 46. The first production version, the He 46C-1, featured the improvements added to the prototypes, plus it could carry either a camera or 200 kg (441 lb) of bombs. In September and November 1936, 28 He 46C-1s were given to the Spanish Nationalists. The Germans took the He 46 back to war in 1943, when aircraft were taken from training units and used with squadron-sized Störkampfstaffel units for night-bombing harassment missions over the Soviet Union.

PLASTIC PARTS



PHOTOETCHED PARTS (PP)

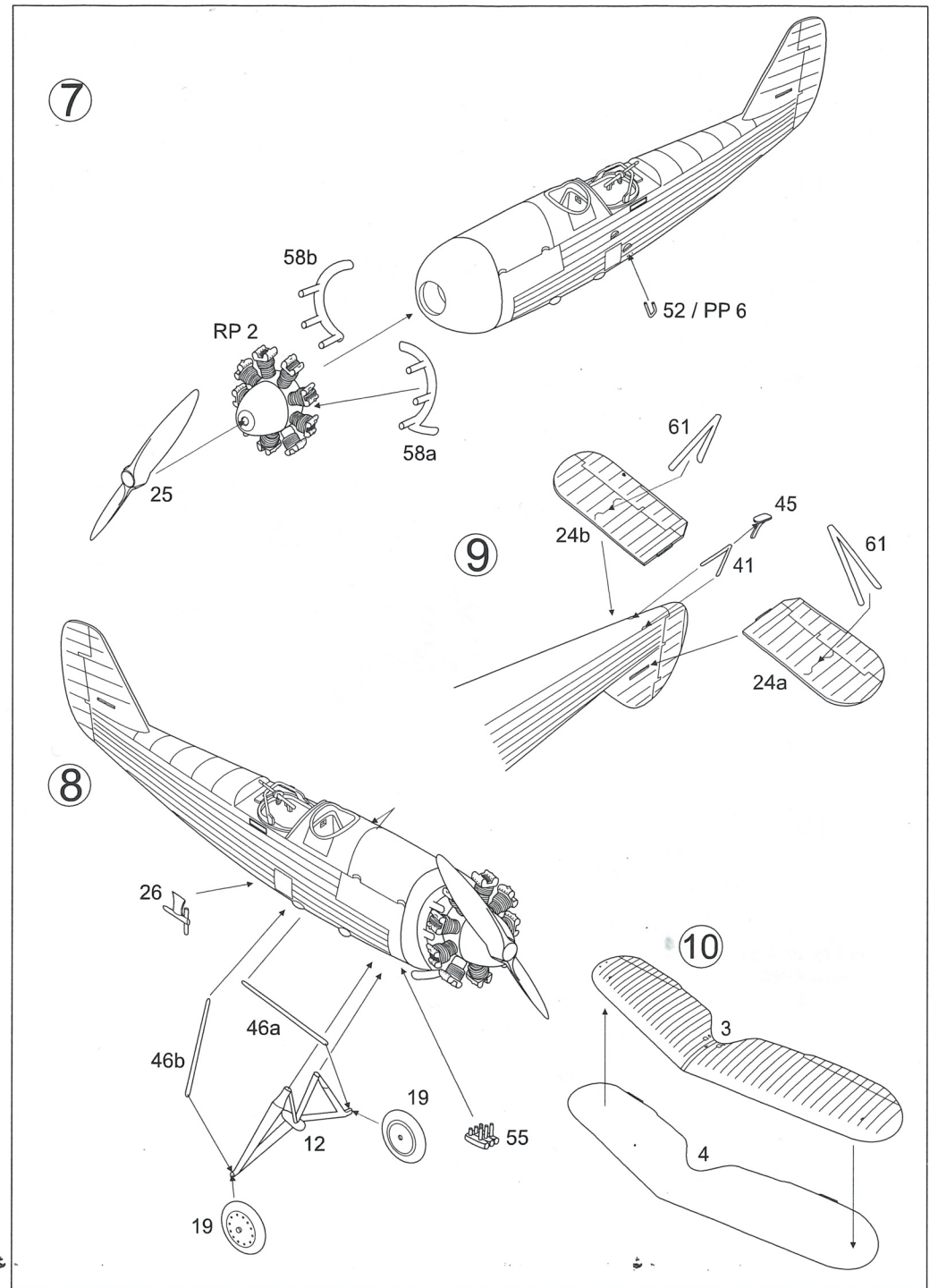
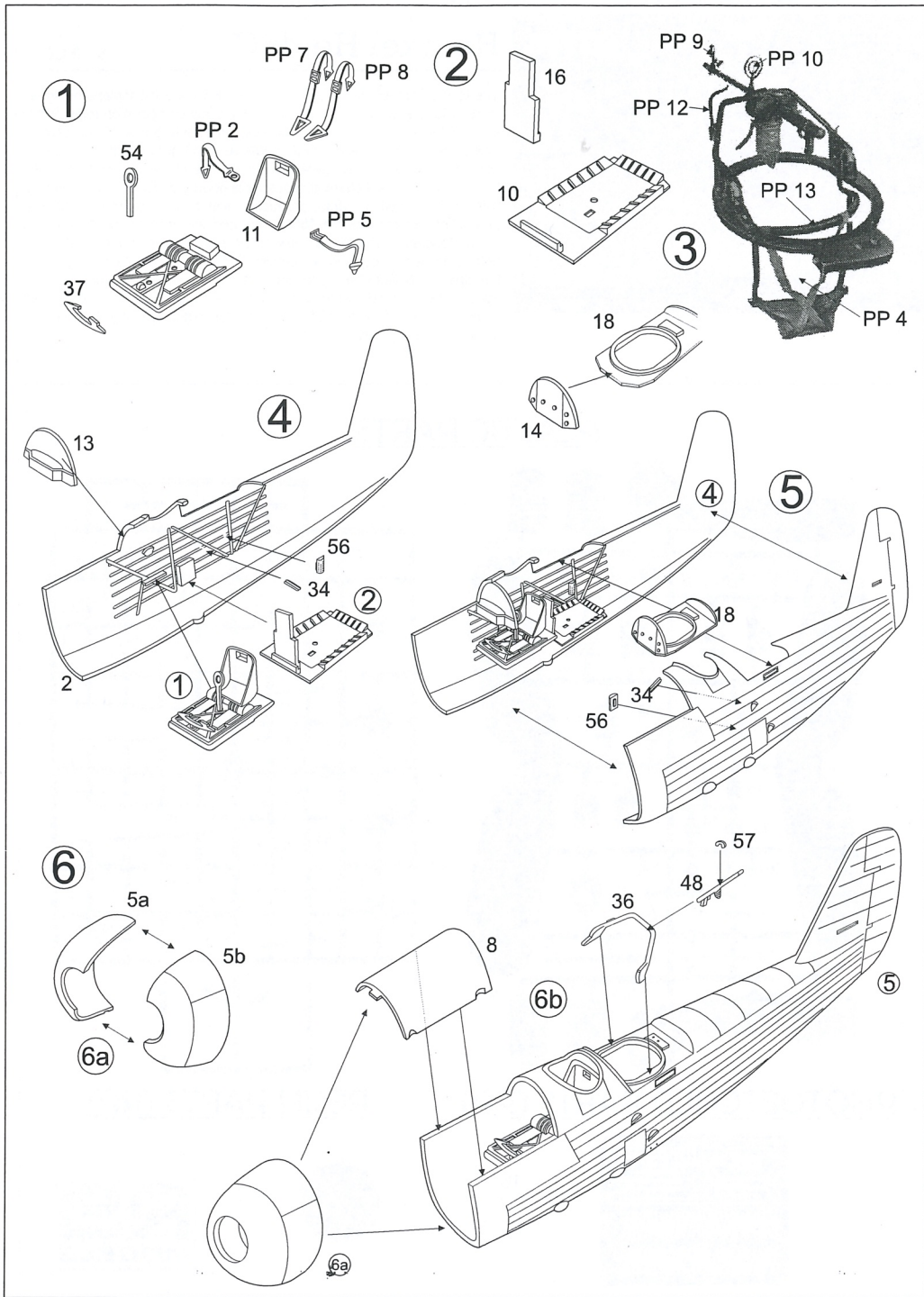


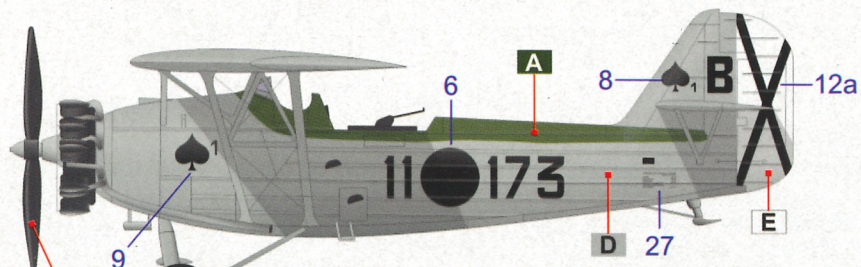
RESIN PARTS (RP)



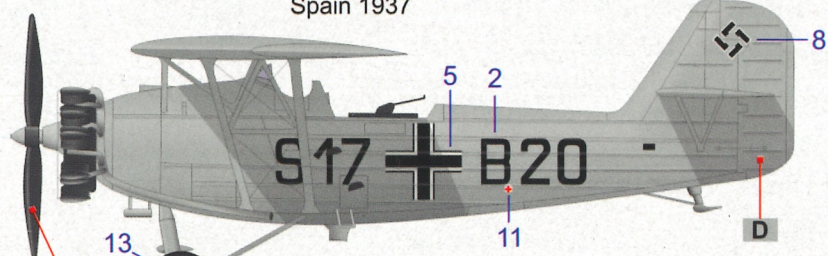
RP 2



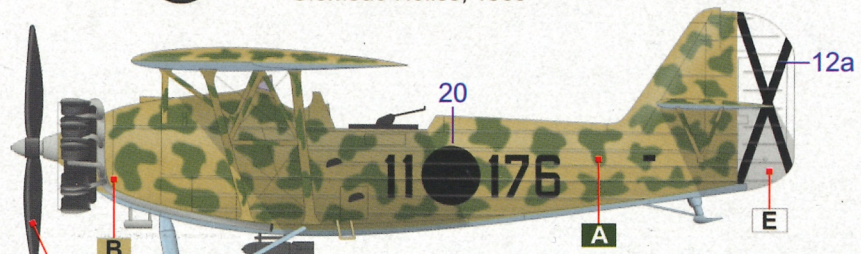




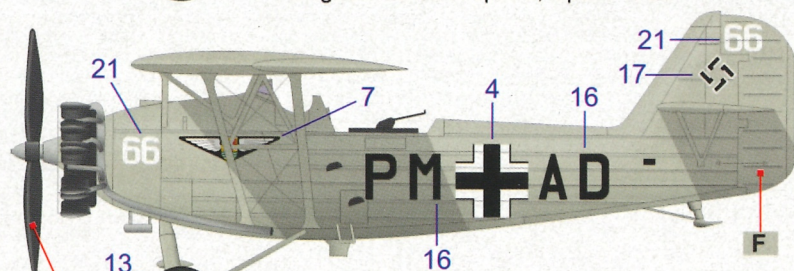
① Heinkel 46C Pava, 11o173, Grupo 3-G-11, Kampfgruppe 88, Nationalist Air Force, Spain 1937



② Heinkel 46C, S17+B20, Schule Far.24, Olomouc-Holice, 1939

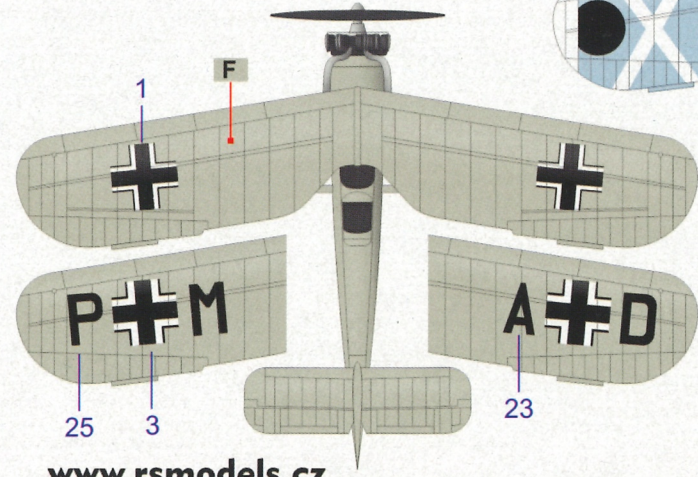
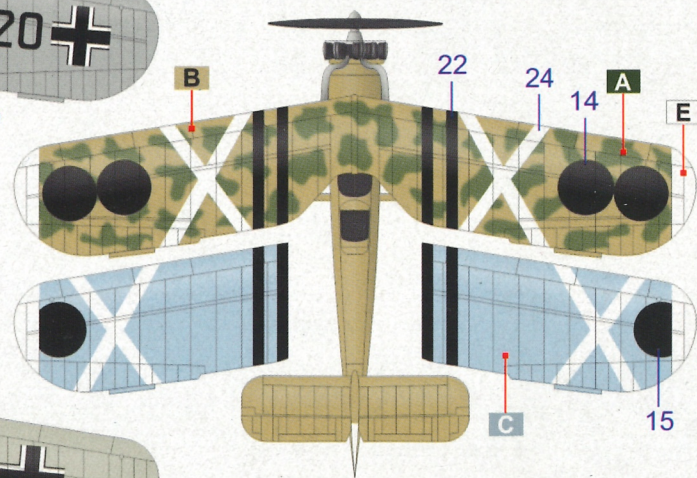
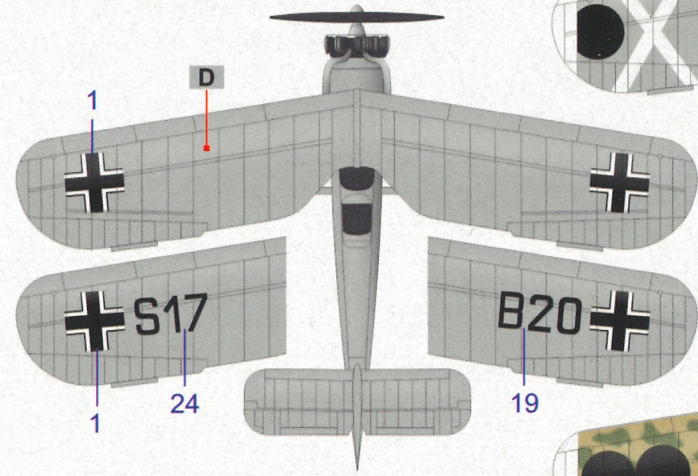
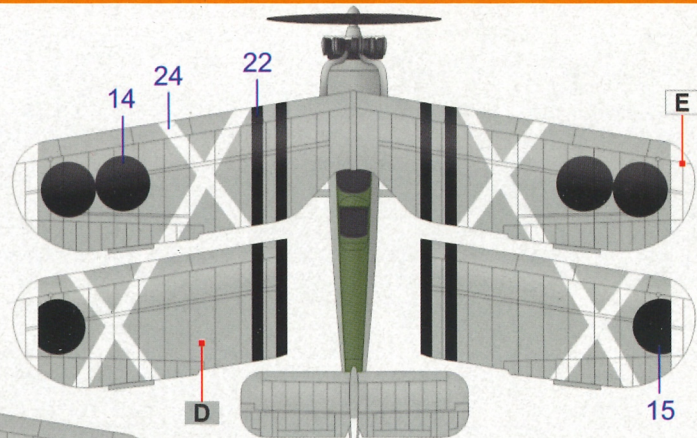


③ Heinkel 46C Pava, 11o176, Grupo 3-G-11, Brigada Aérea Hispana, Spain 1938



④ Heinkel 46C, PM+AD, A/B 71, Prostějov /Prostnitz/ 1942

- A** Green Zelená
- B** Sand Písková
- C** RLM 65 / Hellblau Světle modrá
- D** RLM 63 / Hellgrau Šedá
- E** RLM 21 / Weiß Bílá
- F** RLM 02 Šedozelená
- G** RLM 70 / Schwarzgrün Černozelená



U lomu 7
795 01 Rýmařov
rsmodels@rsmodels.cz
www.rsmodels.cz
Czech Republic



www.rsmodels.cz