

German Half-Track

Rocket Launcher

1/72

HANOMAG

Sd. Kfz. 251/1



SPECIFICATION

GENERAL:

DESIGNATION; MITTLERER GEPANZERTER MANNSCHAFTKRAFTWAGEN. DESIGNATION FROM 1942: MITTLERER SCHUETZENPANZERWAGEN. ORDNANCE No. SdKfz 251 MANUFACTURER'S TYPE: HANOMAG HL kl 6p.

CREW: 12—COMMANDER, DRIVE, 10 MEN INFANTRY SQUAD, IN BASIC SdKfz 251/1

BATTLE WEIGHT: 8 9 LONG TONS.

DRY WEIGHT: 7 4 TONS.

DIMENSIONS

LENGHT OVERALL: 19 ft. (AUSF A, B AND C) 19 ft. 7½ in. AUSF. D.

HEIGHT: 5 ft. 9 in.

WIDTH: 6 ft. 11 in.

WIDTH OVER TRACKS/OVERALL: 6 ft. 11 in.

TRACK CENTRES/WHEEL BASE: 5 ft. in./5 ft. 3 in.

TRACK WIDTH: 9¼ in.

ARMAMENT

TWO MG 34 7.92 mm.

SIX 28/32 cm. ROCKETS IN THEIR CRATES ON A FRAME DESIGNED TO CARRY THREE PROJECTILES ON EACH OF THE VEHICLE.

IN TRANSIT THE ROCKETS WERE STOWED INSIDE THE VEHICLE. NORMALLY THE LOAD CONSISTED OF FIVE 28 cm ROCKETS AND ONE 32 cm. INCENDIARY

ENGINE

MAYBACH "HL 42 TUKRM" OR TUKRRM. PETROL. 6 CYL. IN-LINE. 4,171 c.c. 100 b.h.p. AT 2,800 r.p.m. FUEL: 35 GALLONS IN ONE TANK BETWEEN FRAME.



MADE IN ITALY

PERFORMANCE

MAX. ROAD SPEED: 33 m.p.h.

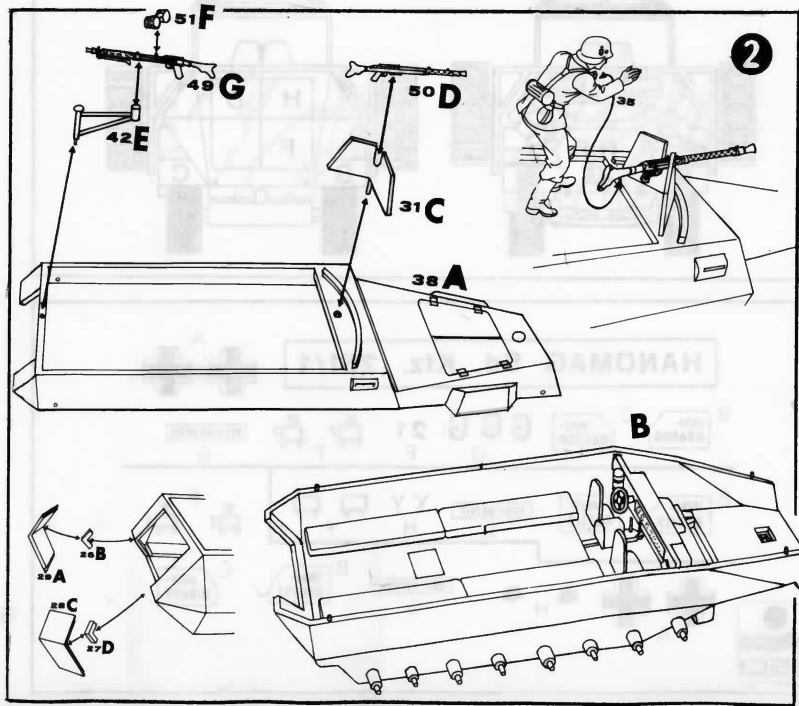
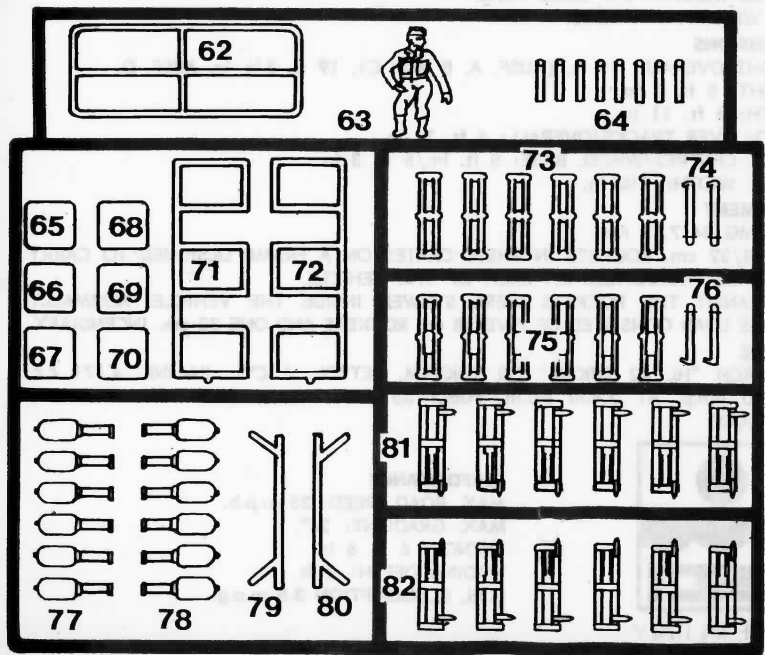
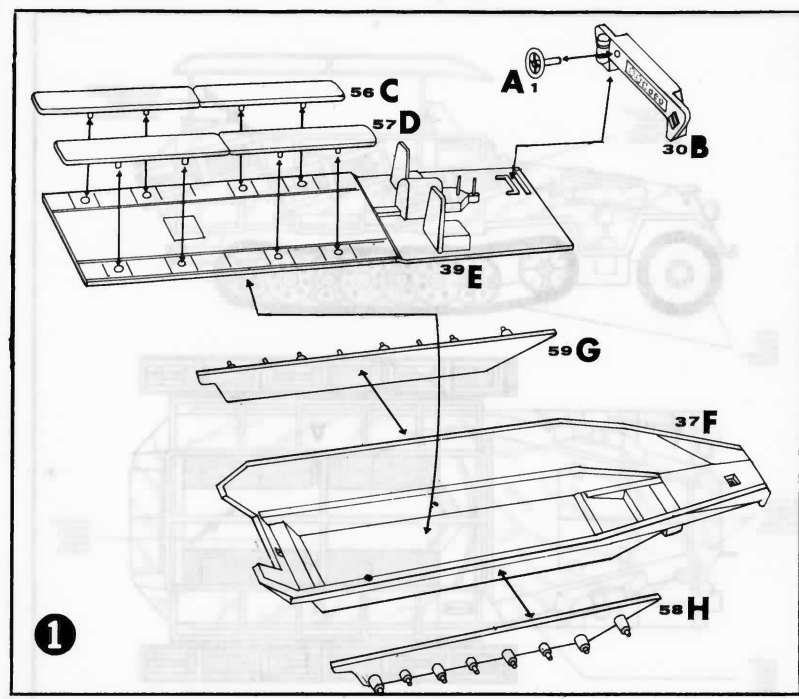
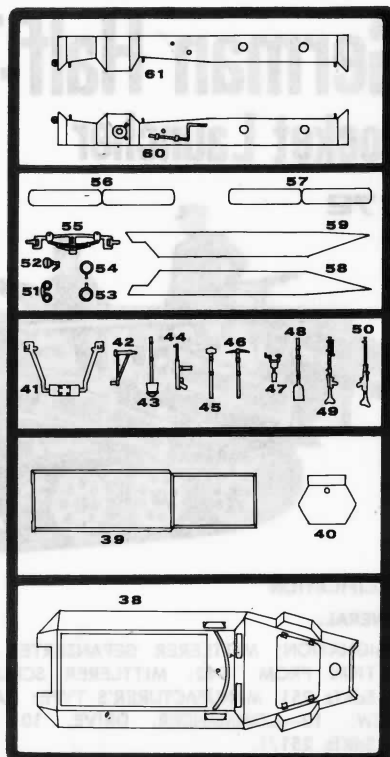
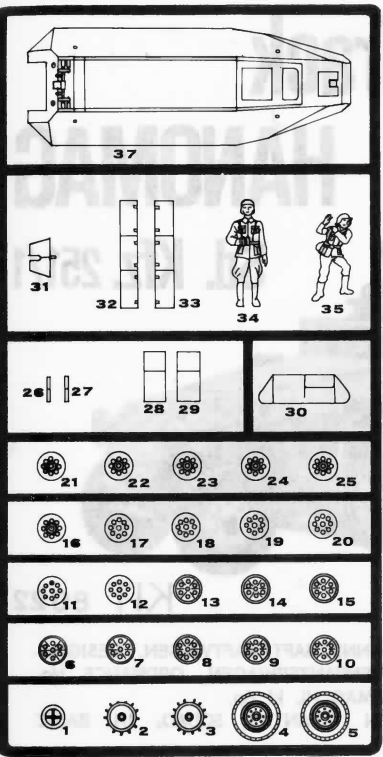
MAX. GRADIENT: 24°

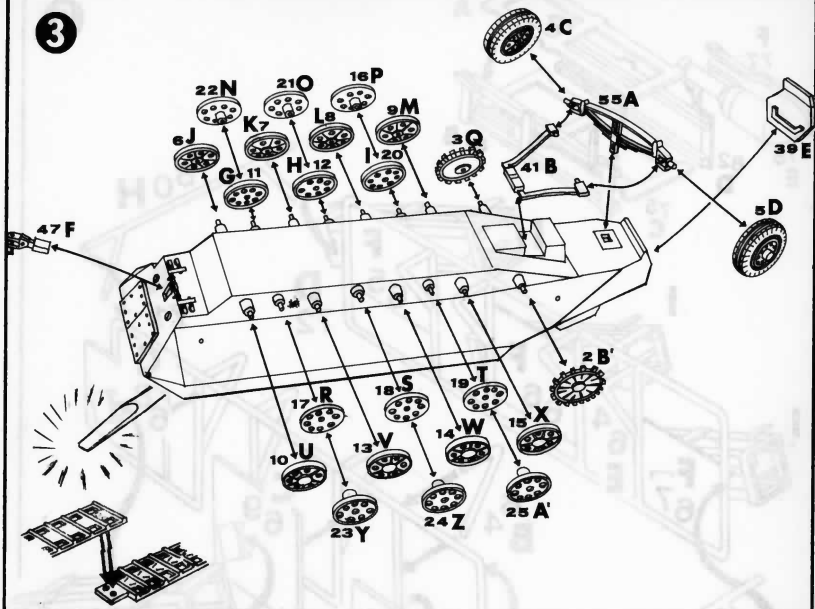
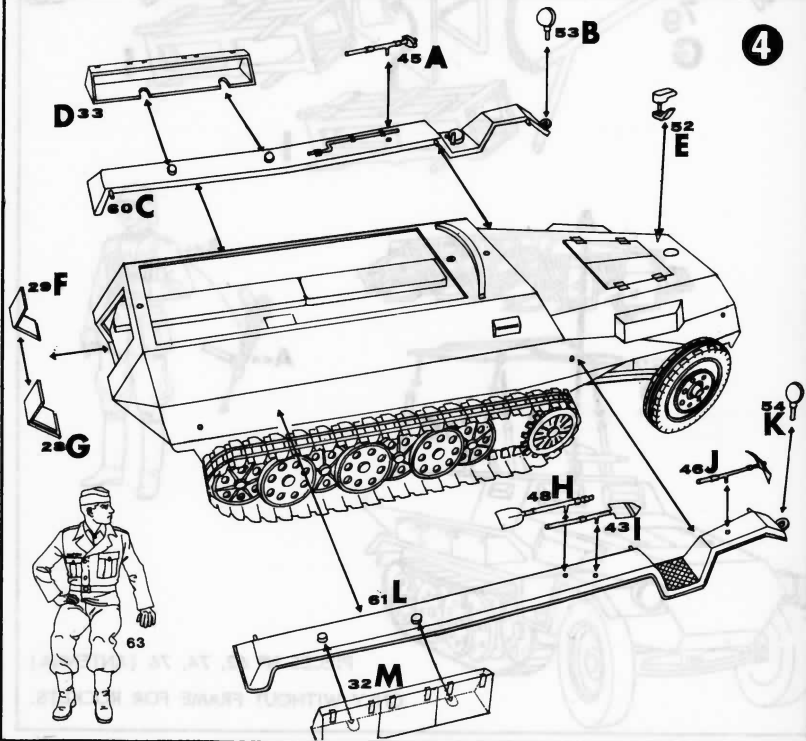
TRENCH: 6 ft. 6 in.

WADING DEPTH: 2 ft.

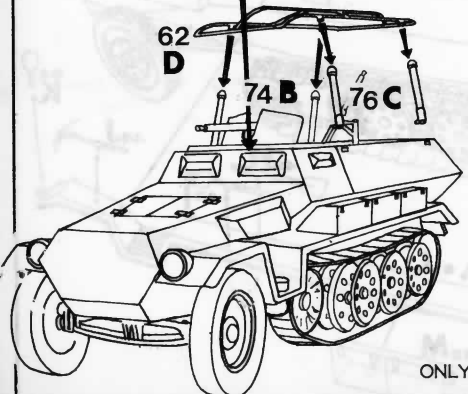
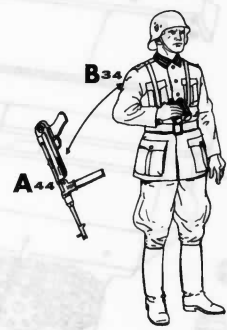
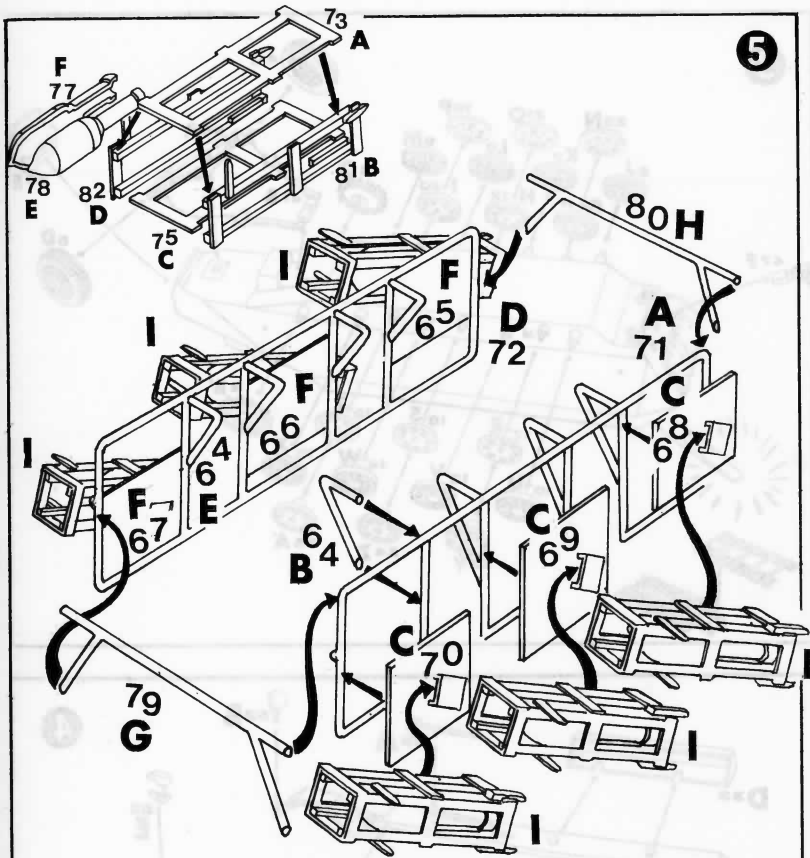
FUEL CONSUMPTION 3-5 m.p.g.

KIT 8022

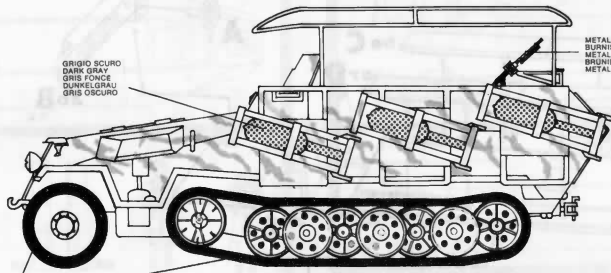


3**4**

5

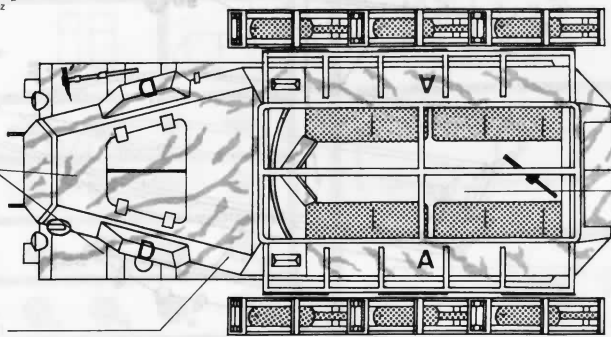


PIECES N° 62, 74, 76 (ANTENNA)
ONLY WITHOUT FRAME FOR ROCKETS.



METALLO BRUNITO
BURNISHED METAL
METAL BRUN
BRUNIRTER METALLFARBE
METAL BRUNIDO

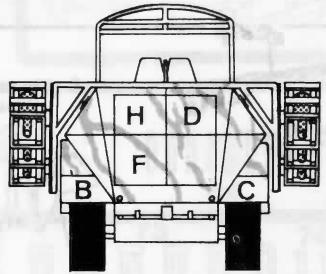
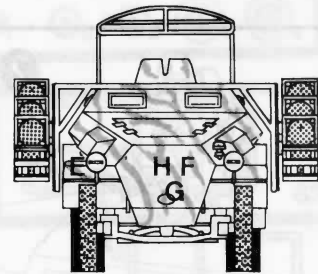
NERO
BLACK
NOIR
SCHWARZ
NEGRO



VERDE SCURO
DARK GREEN
VERT FONCE
DUNKEL GRÜN
VERDE OSCURO

SABBIA
SAND
SABLE
SAND
ARENA

MARRONE
BROWN
MARRON
BRAUN
MARRON



HANOMAG Sd. Kfz. 251/1

