

Panther KF51

German Main Battle Tank

德国主战坦克KF51黑豹



1/72 SCALE
Item No. V5720029

Meaning of icons



FILL HOLE
填平孔洞



OPEN HOLE
钻出孔洞



OPTIONAL
可选择使用



x2 2 SETS NEEDED
同样的制作二组



REMOVE
切除



BE CAREFUL
小心注意



APPLY DECAL
贴上水贴



BEND
曲折



DO NOT CEMENT
不用粘接



INSTANT GLUE
速干胶
瞬間接着剂

CAUTION:

1. When you use glue or paint, do not use near a open flame, and sue in a well-ventilated room.
2. Cut the parts off properly and throw waste parts into dustbox at once.
3. Keep all parts out of small children. Children must not to be allowed to put any parts in their mouths, or pull plastic bags over their head.
4. Do not play with the parts for any other purpose, as some parts may be to sharp. More caution and care needed for families with infants.

注意:

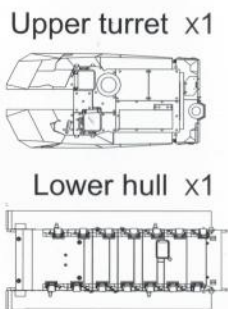
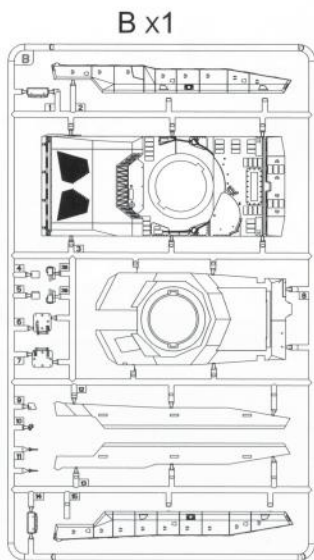
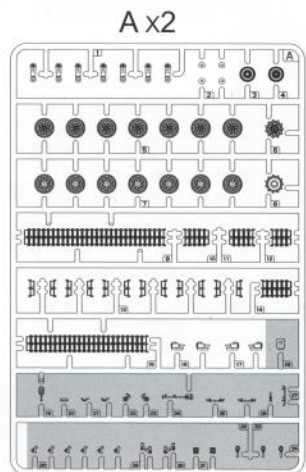
1. 當組裝模型時應遠離火種及在空氣流通的房間內進行。
2. 廢置膠料應掉棄在環保回收的垃圾箱內。
3. 由於模型套件有許多細小零件，請勿讓小孩接觸以免產生誤吞之危險。也別讓小孩把包裝膠件之透明塑料袋套在頭上，這很容易引致窒息。
4. 由於零件有不少尖角部份，請勿把玩及作其他用途，請注意及小心保護你的家人。

CORRECT METHOD FOR APPLYING DECALS:

1. Clean model surface with wet cloth.
2. Cut out of decal sheet and dip them in cold water for 15 seconds.
3. Place decal on proper position on model.
4. Slide off base paper leaving decals on model with wet finger tip.
5. Adjust decals to exact position, push out excess water under decal with soft cotton cloth.

正確貼上水貼紙的方法:

1. 將模型表面擦幹淨。
2. 將貼紙剪下泡入清水中約15秒。
3. 將泡濕之貼紙取出置放欲貼處旁。
4. 用指尖輕推貼紙表面使其滑出底紙。
5. 將貼紙調整至適當位置并輕擦拭水份。



Decal x1



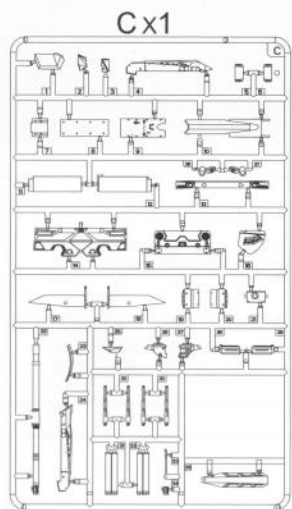
3D printed parts
高精度3D打印件



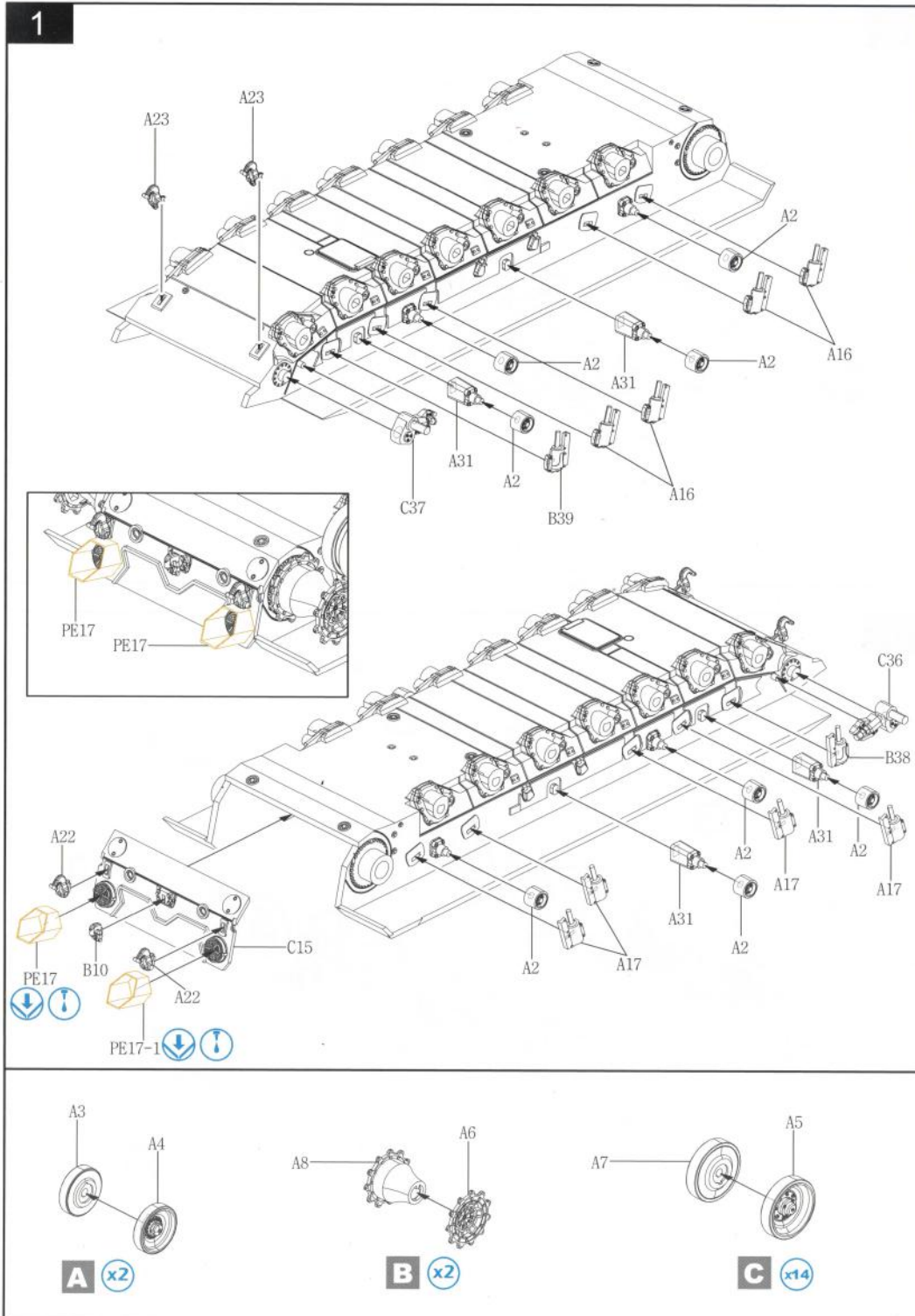
Metal barrel
金属炮管



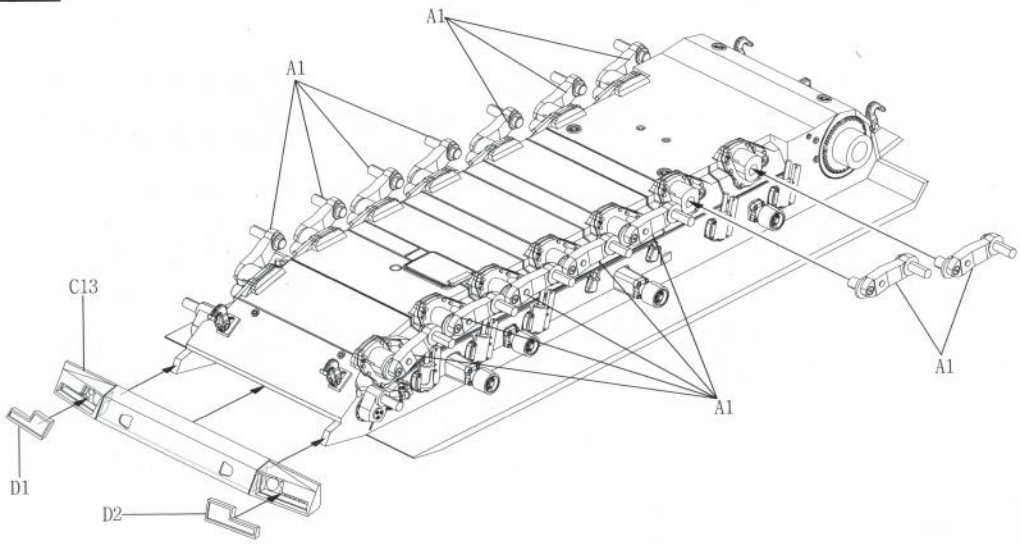
Not for use part
(不使用的部件)



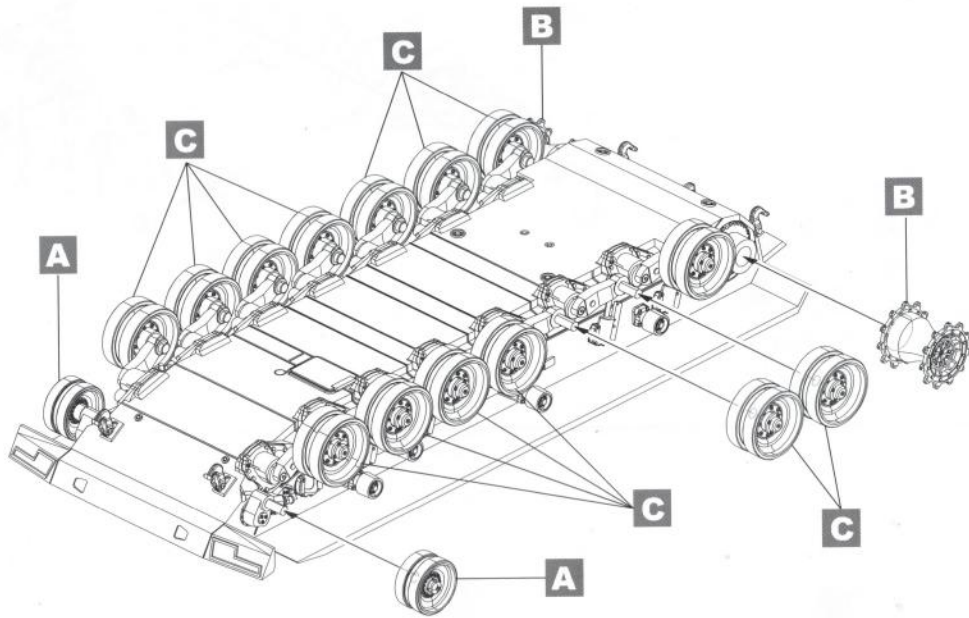
Colour	MR.Hobby	Hobby Color	Humbrol	Tamiya
A Bright Green	/	C-64+C62-28	/	XF-3+XF-26
B Medium Grey	/	C-322	/	XF-24+XF-2
C Nato Green	H-312	C-519	150	XF-67
D Nato Brown	H-37	C-520	186	XF-68
E Nato Black	H-77	C-521	33	XF-69
F Desert Yellow	/	/	/	XF-59
G Dark Grey	/	/	/	XF-20+XF-63
H Flat Earth	/	/	/	XF-52
I Flat Black	H-12	C-33	/	XF-1
J Steel	H-18	C-28	53	XF-52
K Tire Black	H-77	C-137	33	XF-85
L Gun Metal	H-18	C-28	53	XF-10
M Grey FS36270	/	C-306	/	XF-66+XF-2



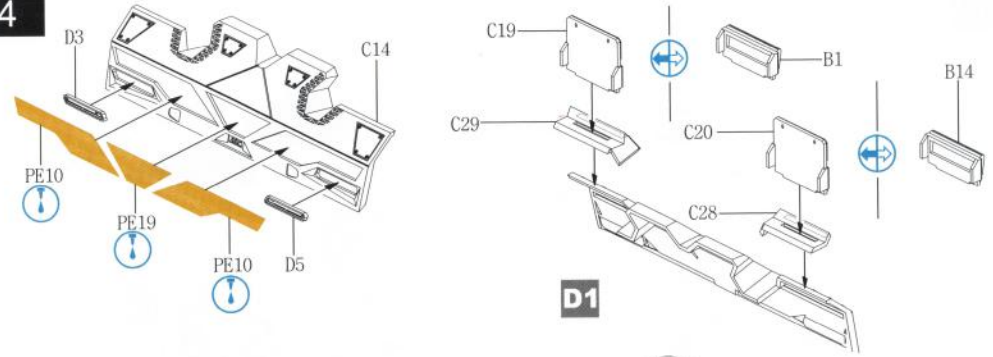
2



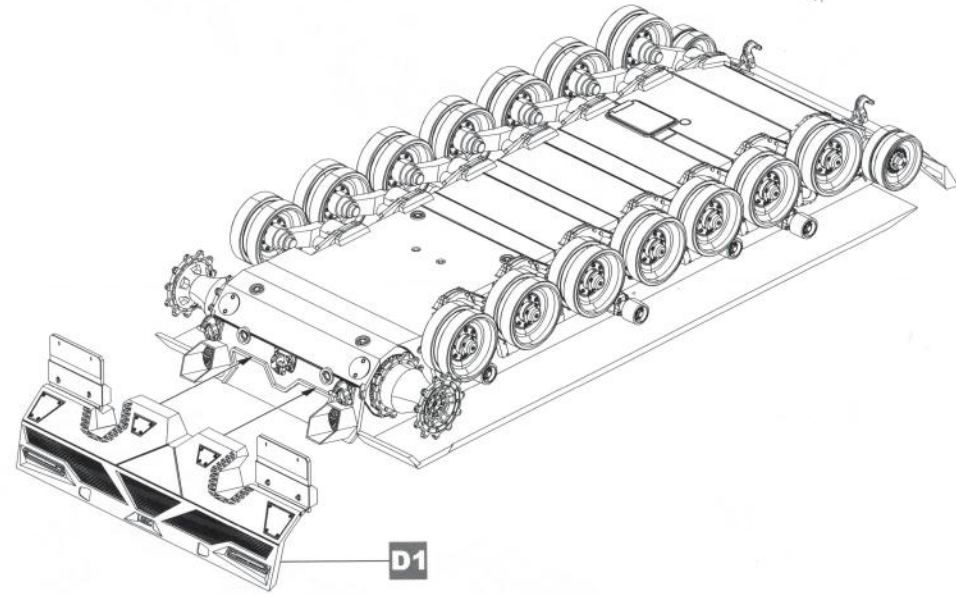
3



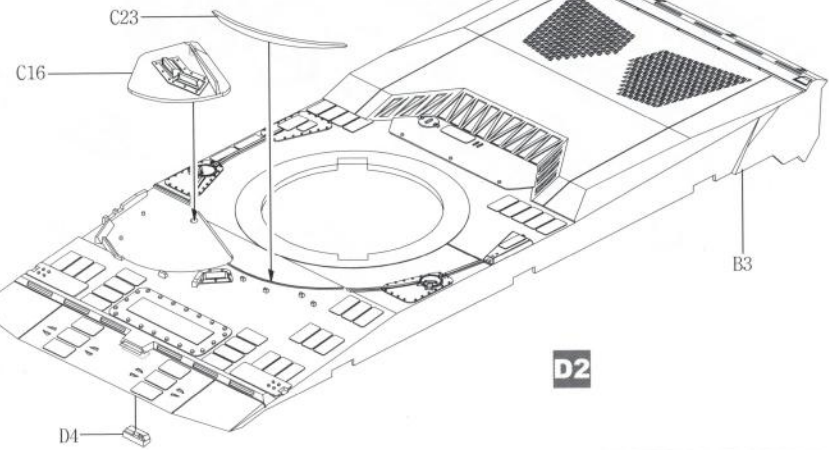
4



D1



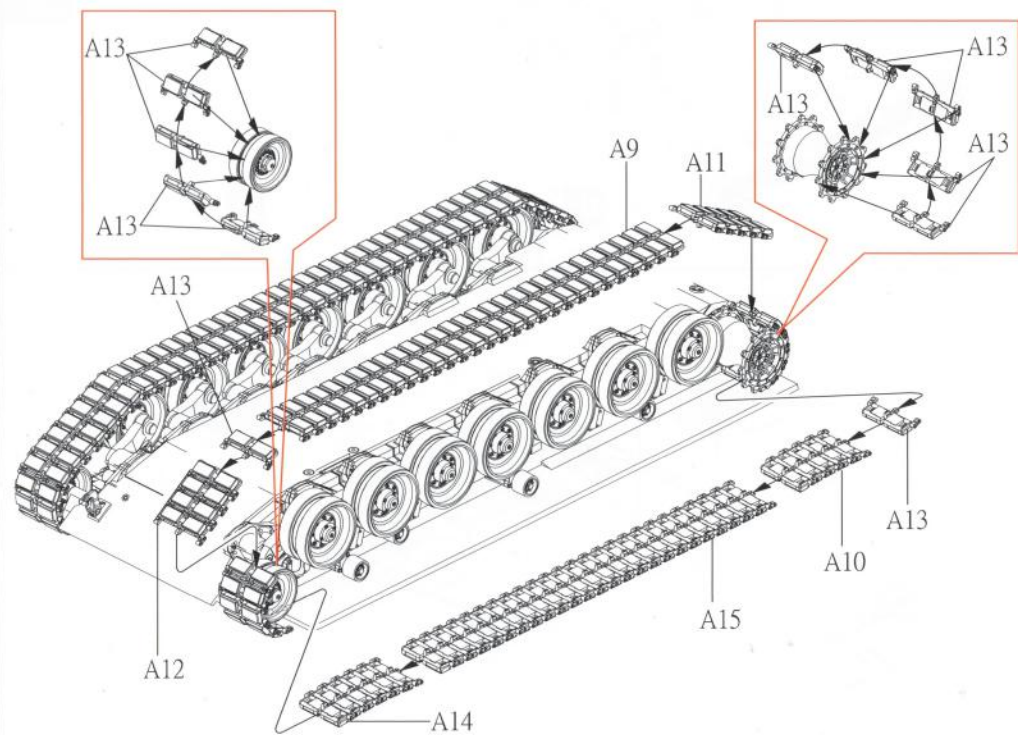
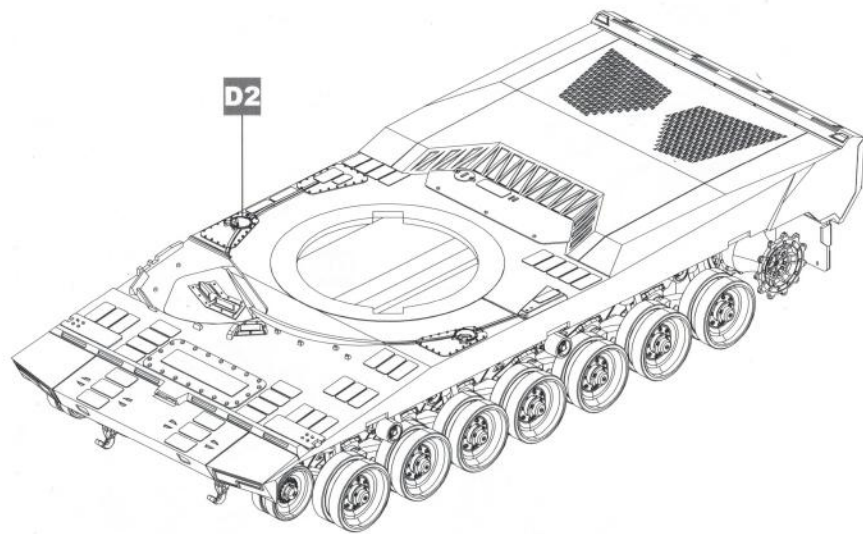
D1



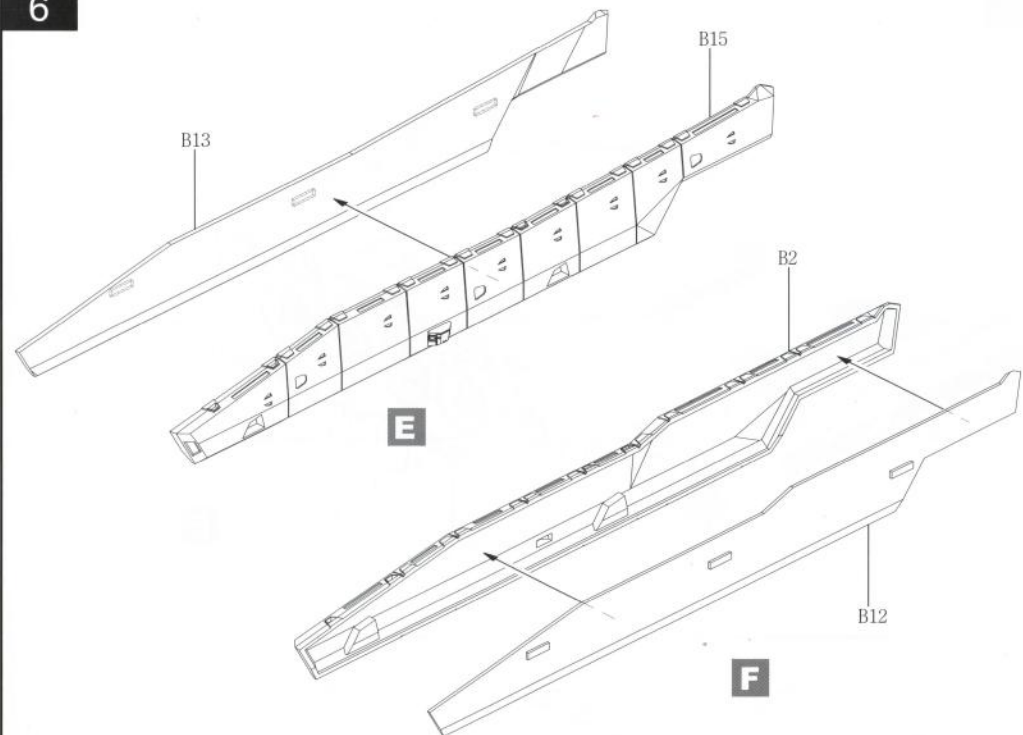
D2

D4

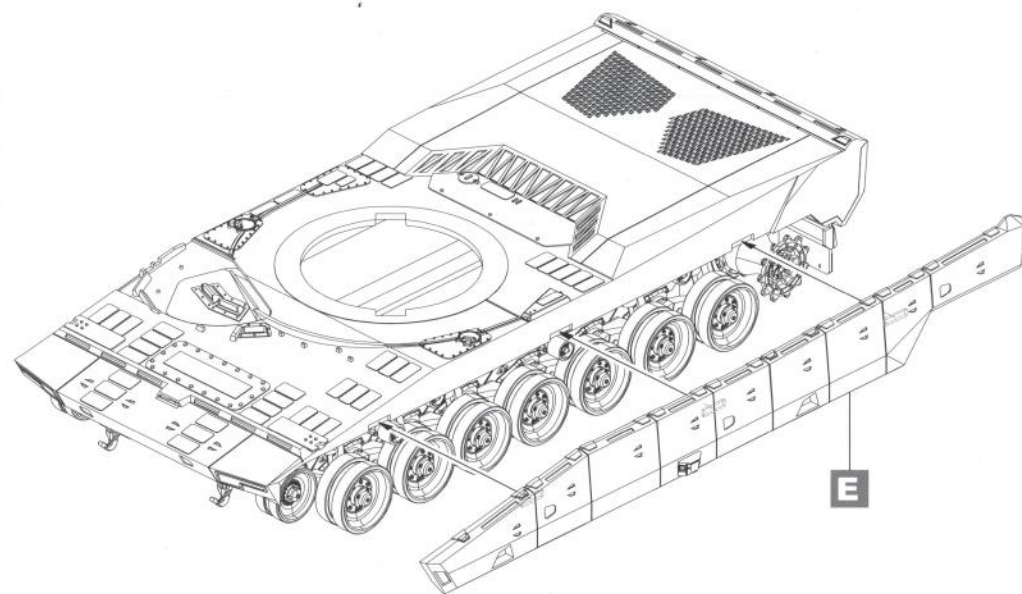
5



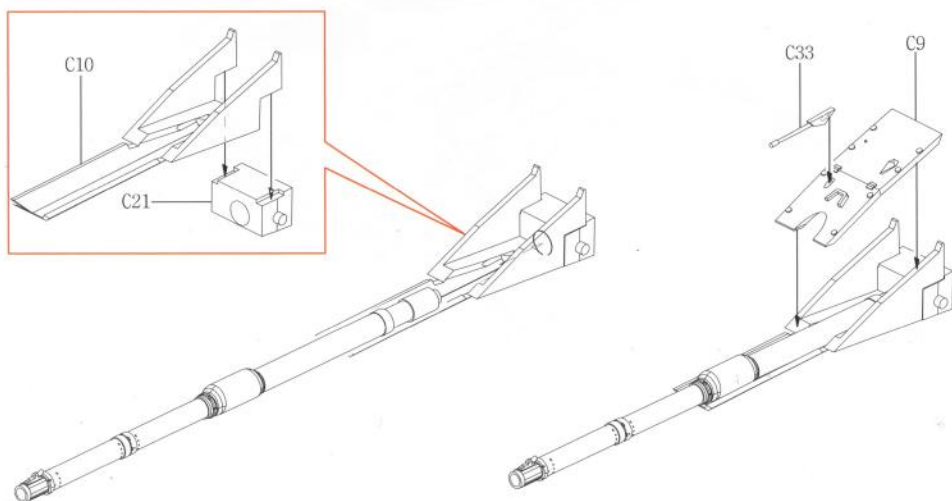
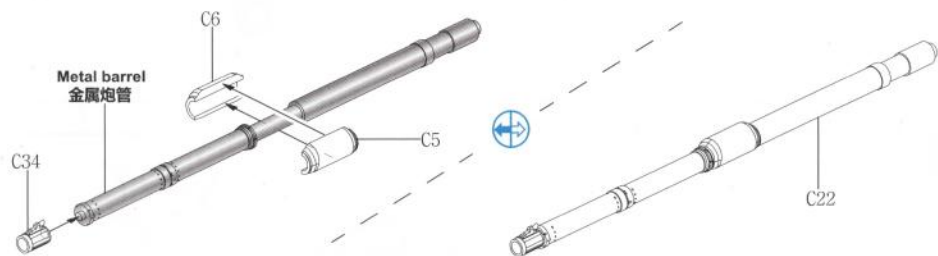
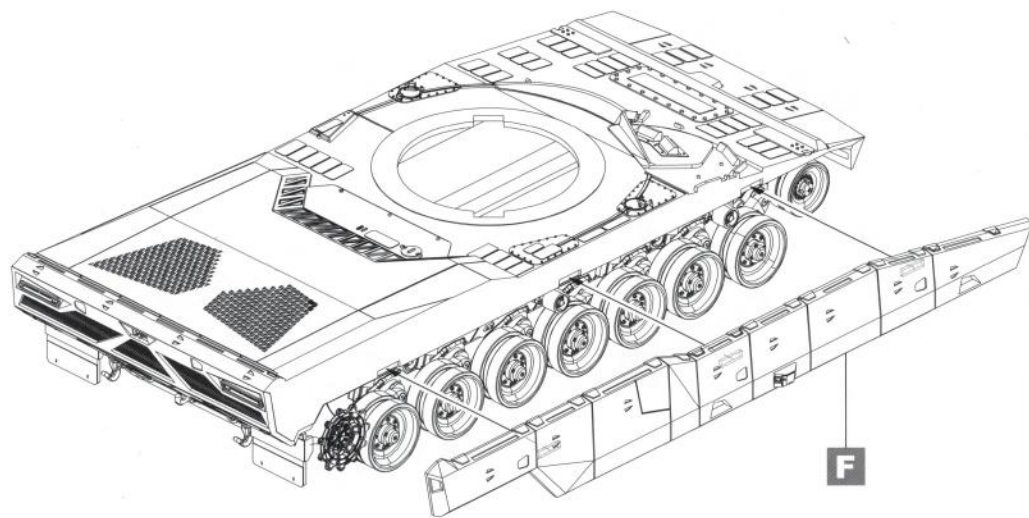
6



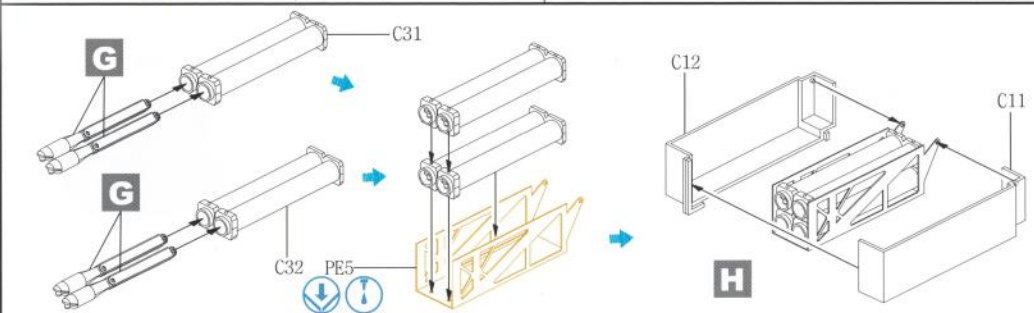
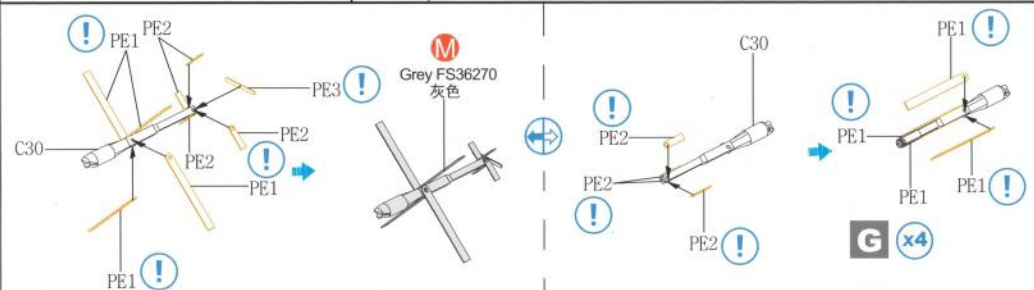
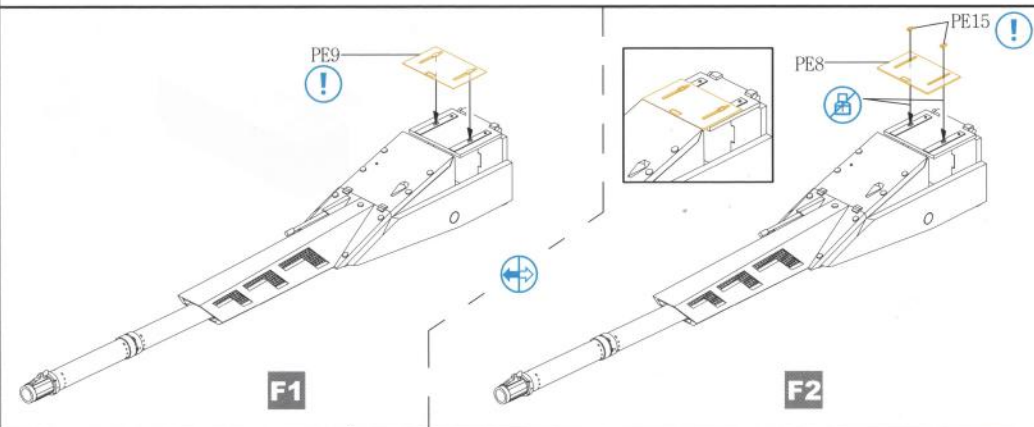
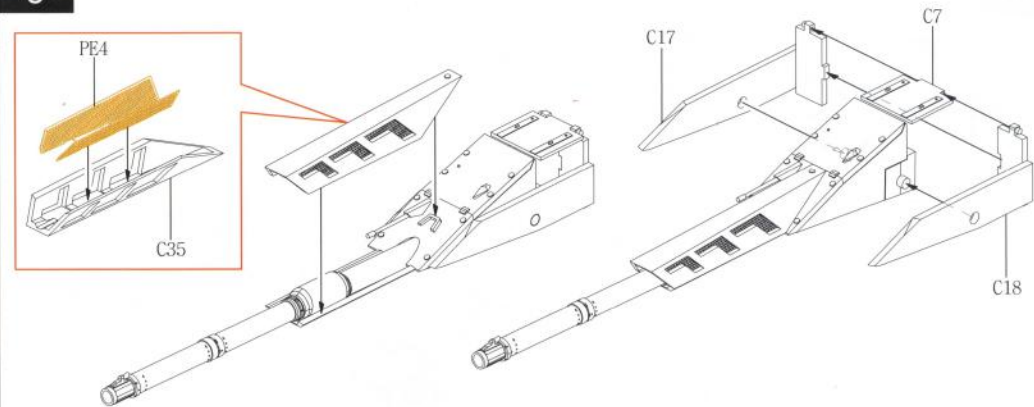
7

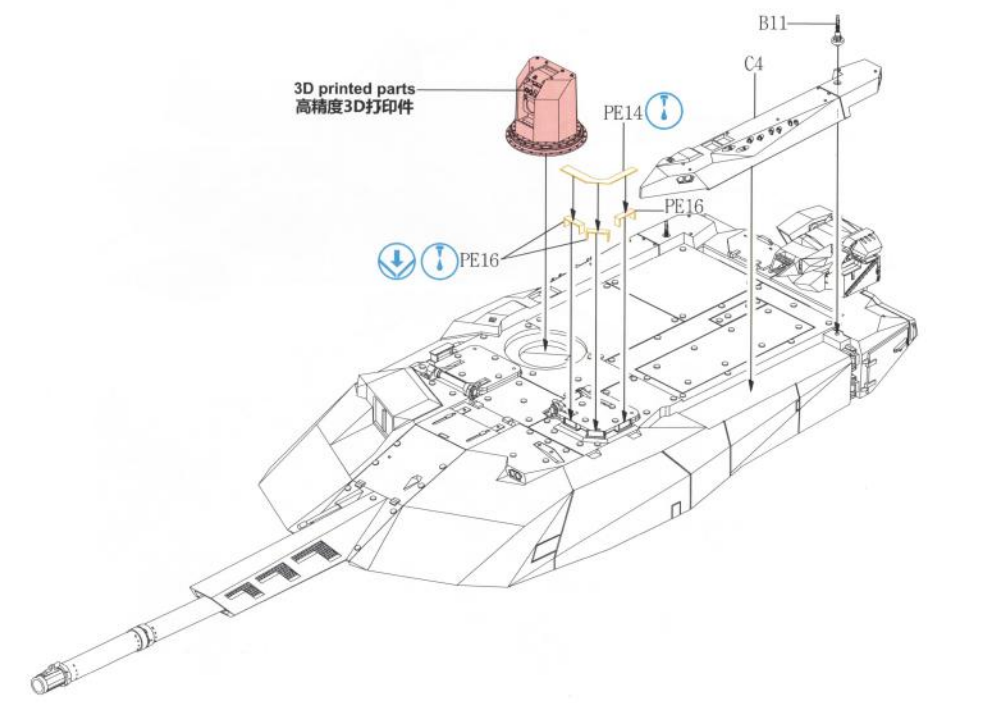
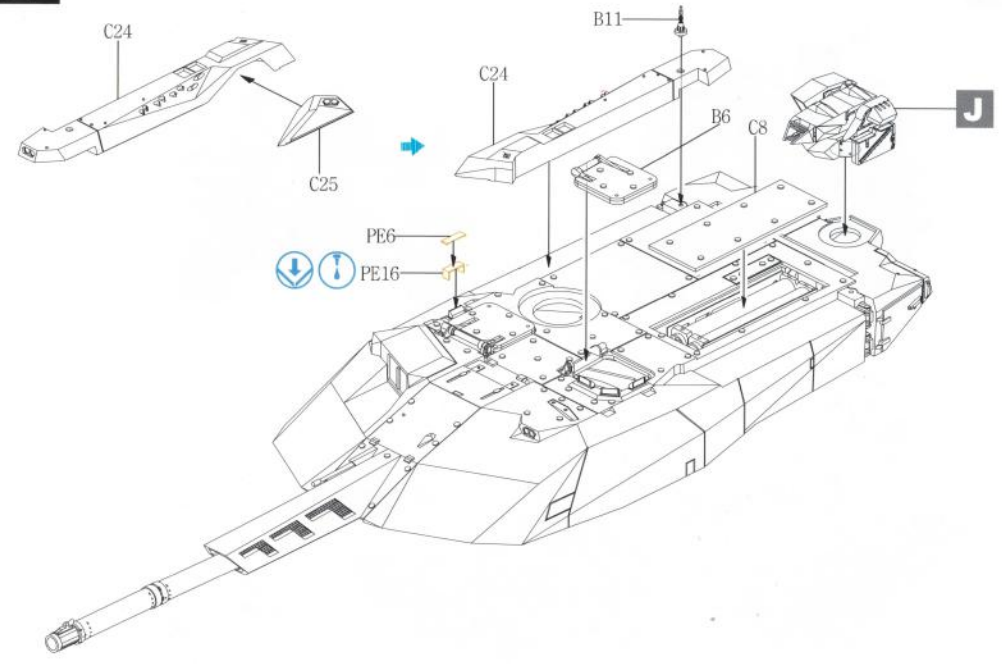
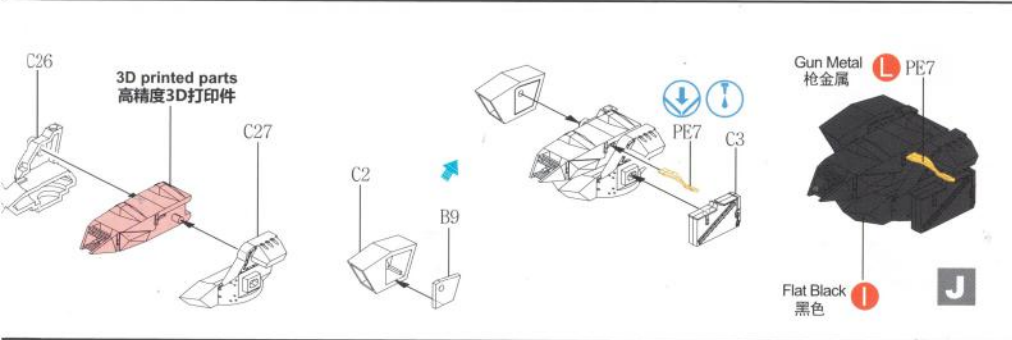
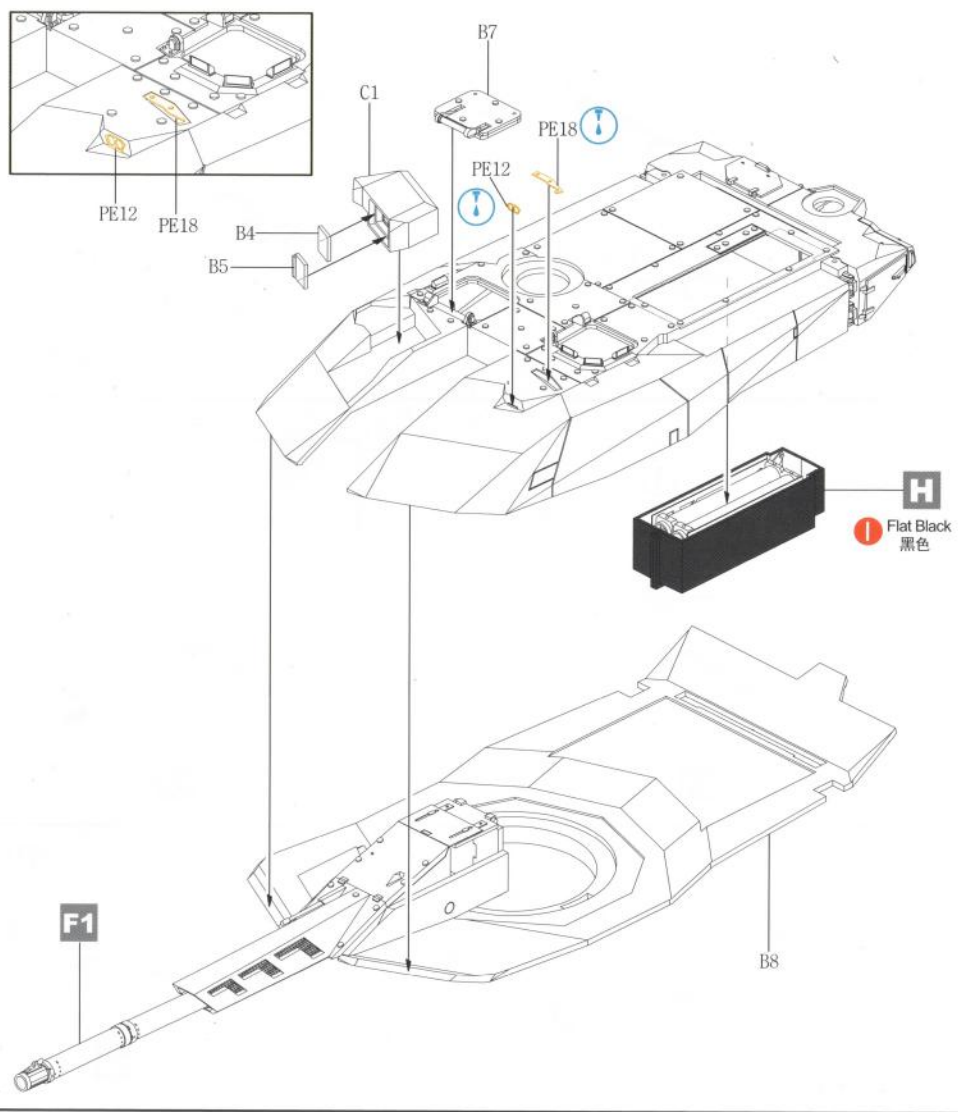


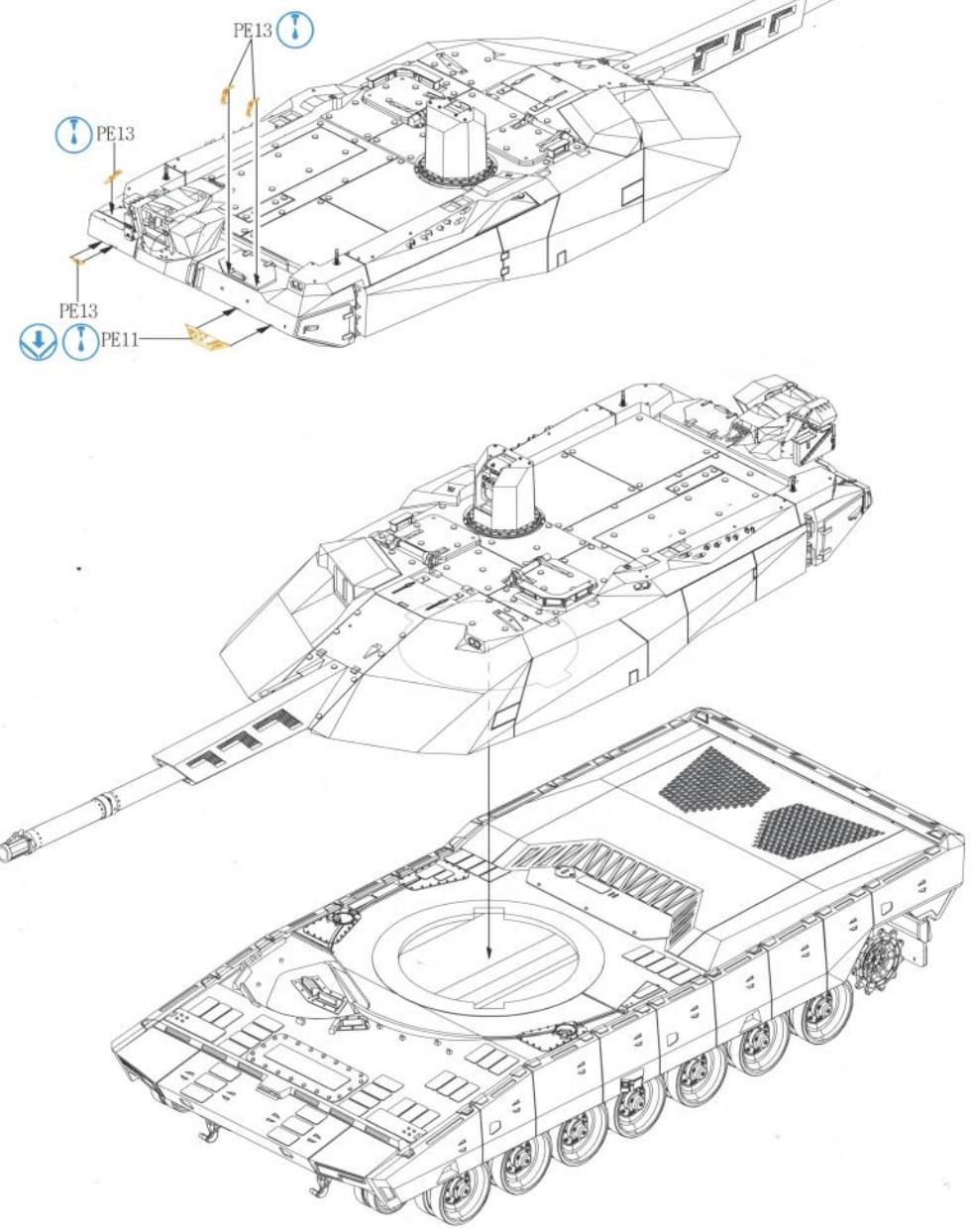
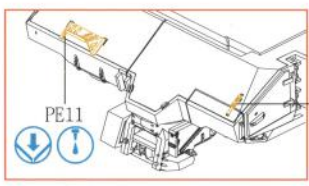
8



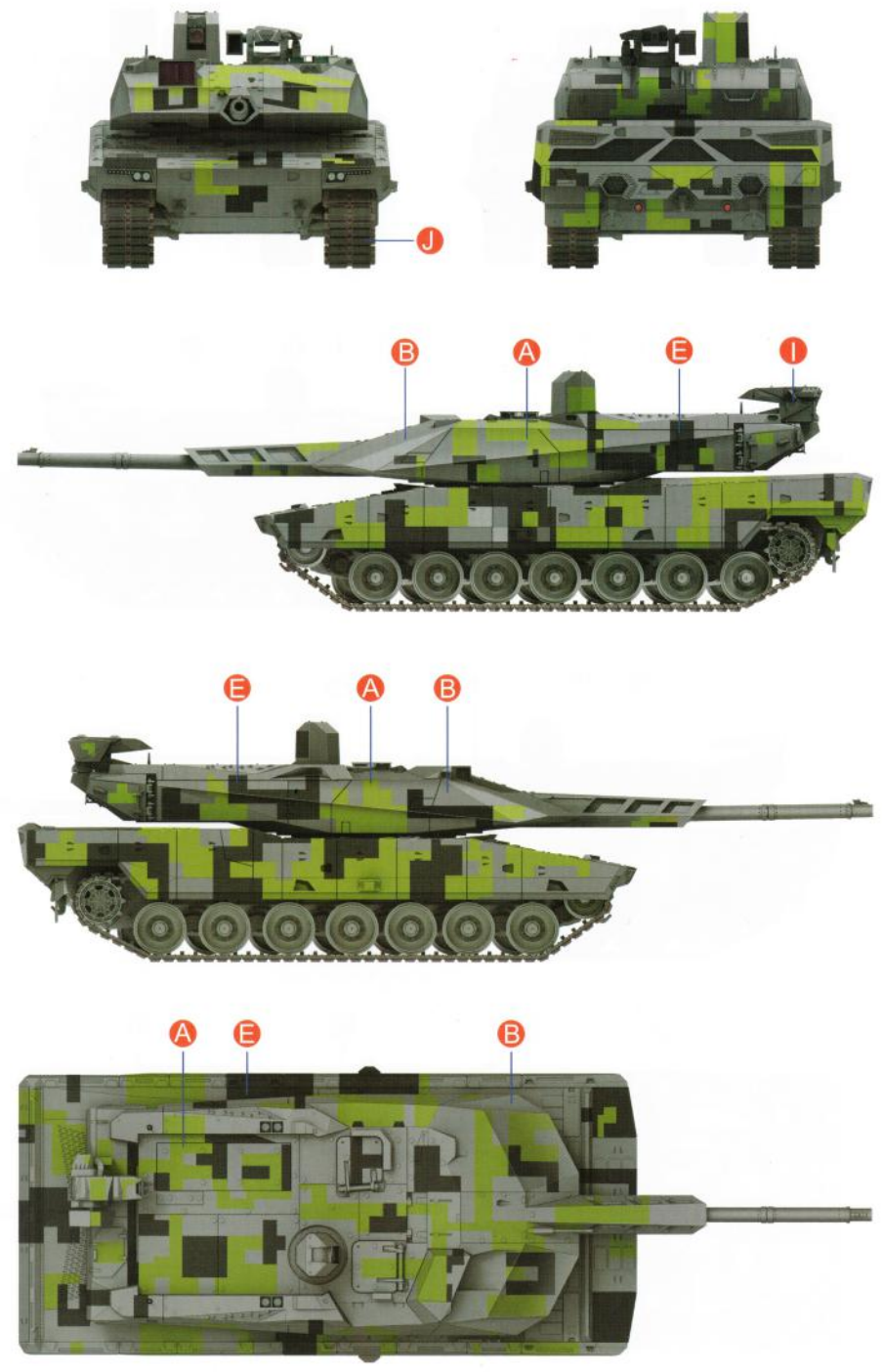
9



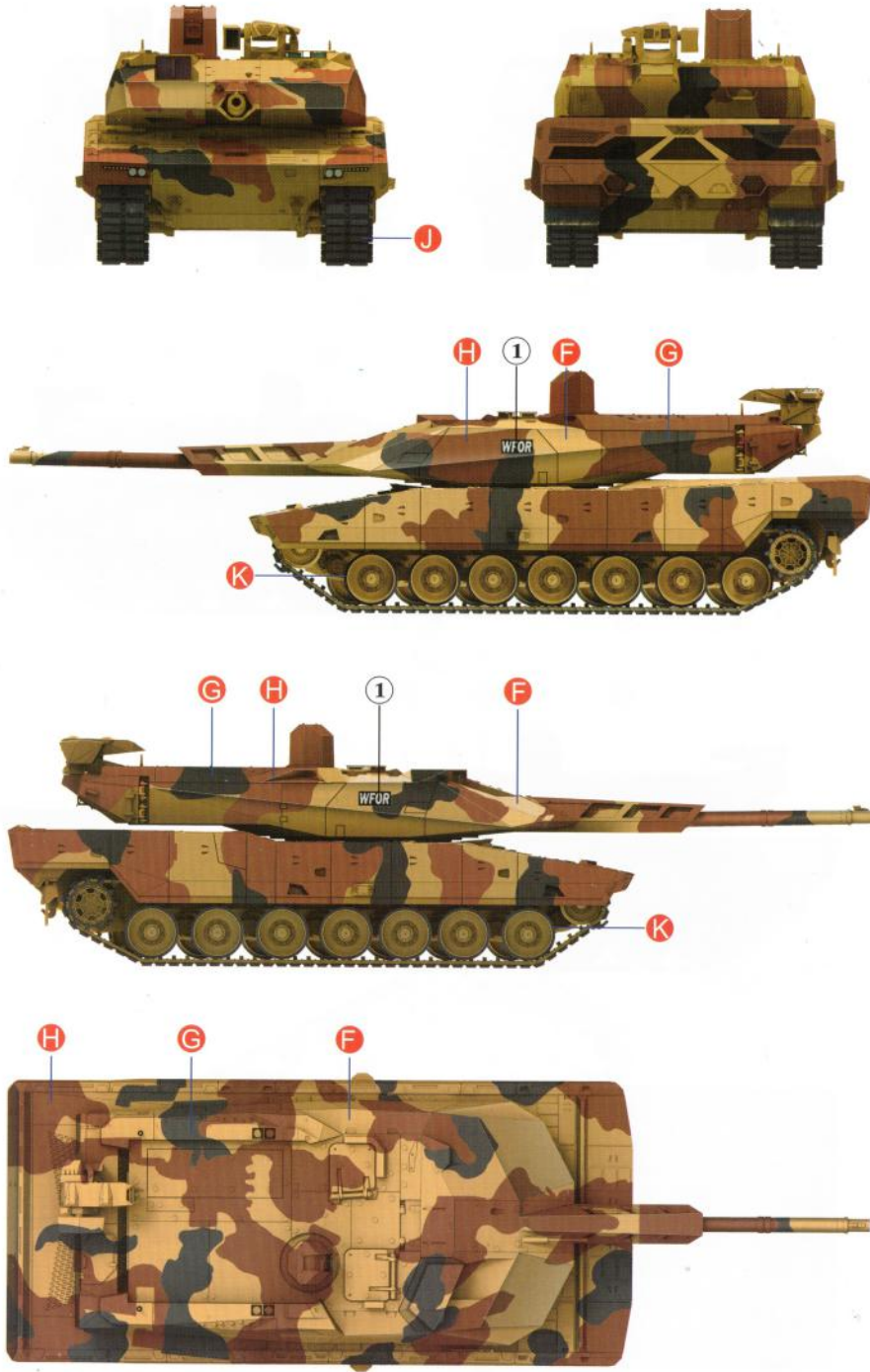




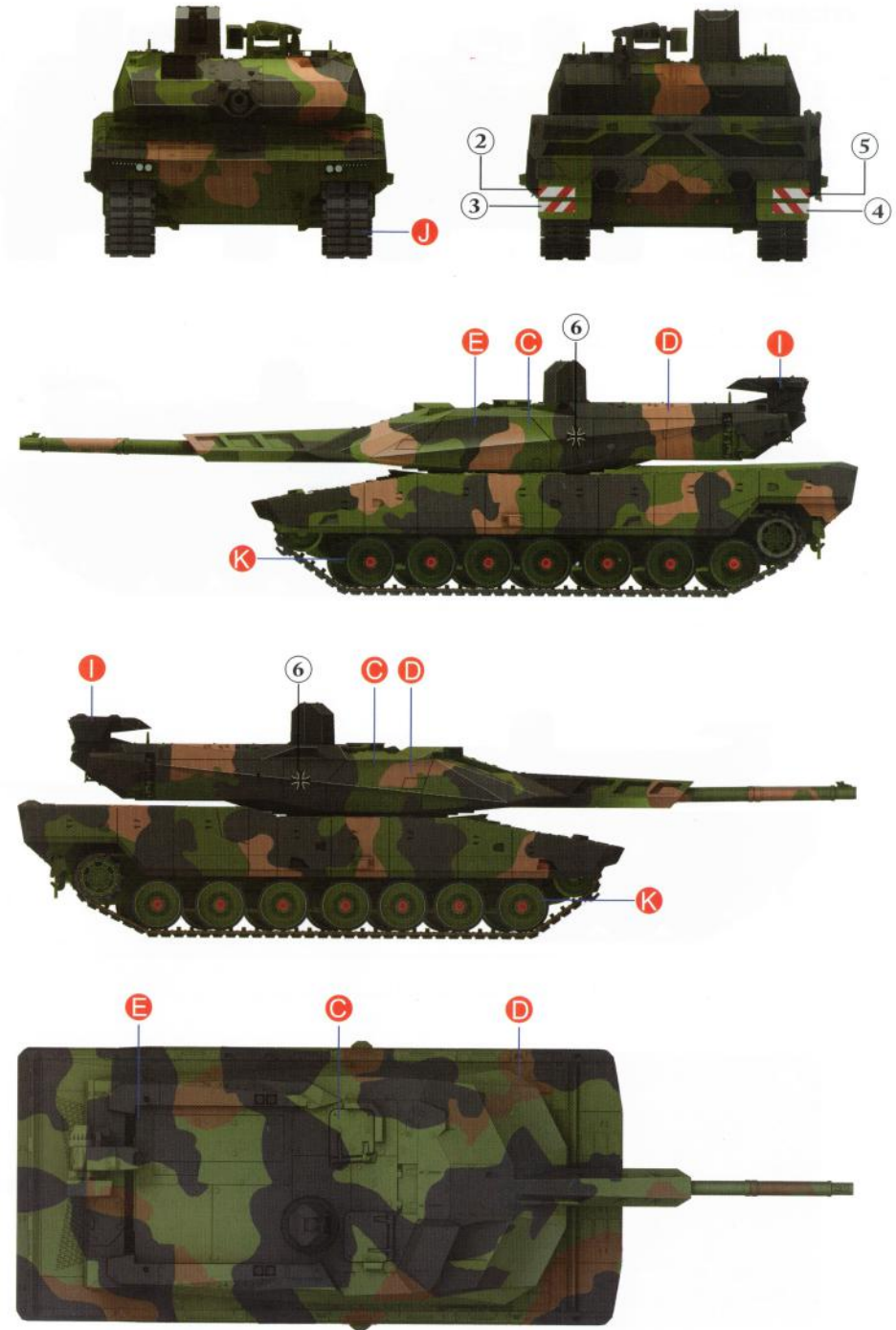
Paint Option 1:



Paint Option 2:



Paint Option 3:



VS720029S 专用

