

# Bristol 138a Britain Highest

## 1/48 scale Limited edition resin kit

**AEROPOXY**  
Resin aircraft kits, aviation books & multimedia CD/DVD's.  
www.aeropoxy.wordpress.com e-mail:supercuber@gmail.com



### Preparing the kit parts:

This kit is produced from polyurethane resins and should be prepared for assembly process carefully. So, read this instruction before you sand off some of kit parts. Resin parts are brittle and breakable if stored at cool place, so, work at room temperature .

First, wash all the parts with paint thinner( a solvent used to thin oil-based paints) and follow with wash in some dish detergent to remove the mold release agents used in kit parts casting process.

This will ensure clean surface for gluing and painting the kit. If some parts are warped, heat the parts in hot water( 40-50 deg. Celsius) for few seconds and leave it at flat surface to cool and became straight again.

Sand off joint surfaces with sanding paper to acquire ideal parts joint line .

Resin kits parts could have some trapped air bubbles , due the gravity casting process, you can use the standard kit filler/putty or super glue to fill these bubbles. Sand it after the filler is cured and prime it with Gunze "Mr.Surfacer".

### Glues and Paints:

Use Cyanoacrilate (Super) glue for all the glue work. We suggest slow setting formula, to have more time to align parts properly.

Use Non Fogging super glue for clear canopy parts. Also, fast setting epoxy glues are recommended.

Do not use regular plastic kit glues.

Use your favorite paints for kit painting, oil based, acrylics or even nitro based paints.

We strongly suggest to prime the kit with Gunze "Mr.Surfacer", prior the first coat of paint. This will ensure the ideal surface for painting .

### Clear vac formed parts:

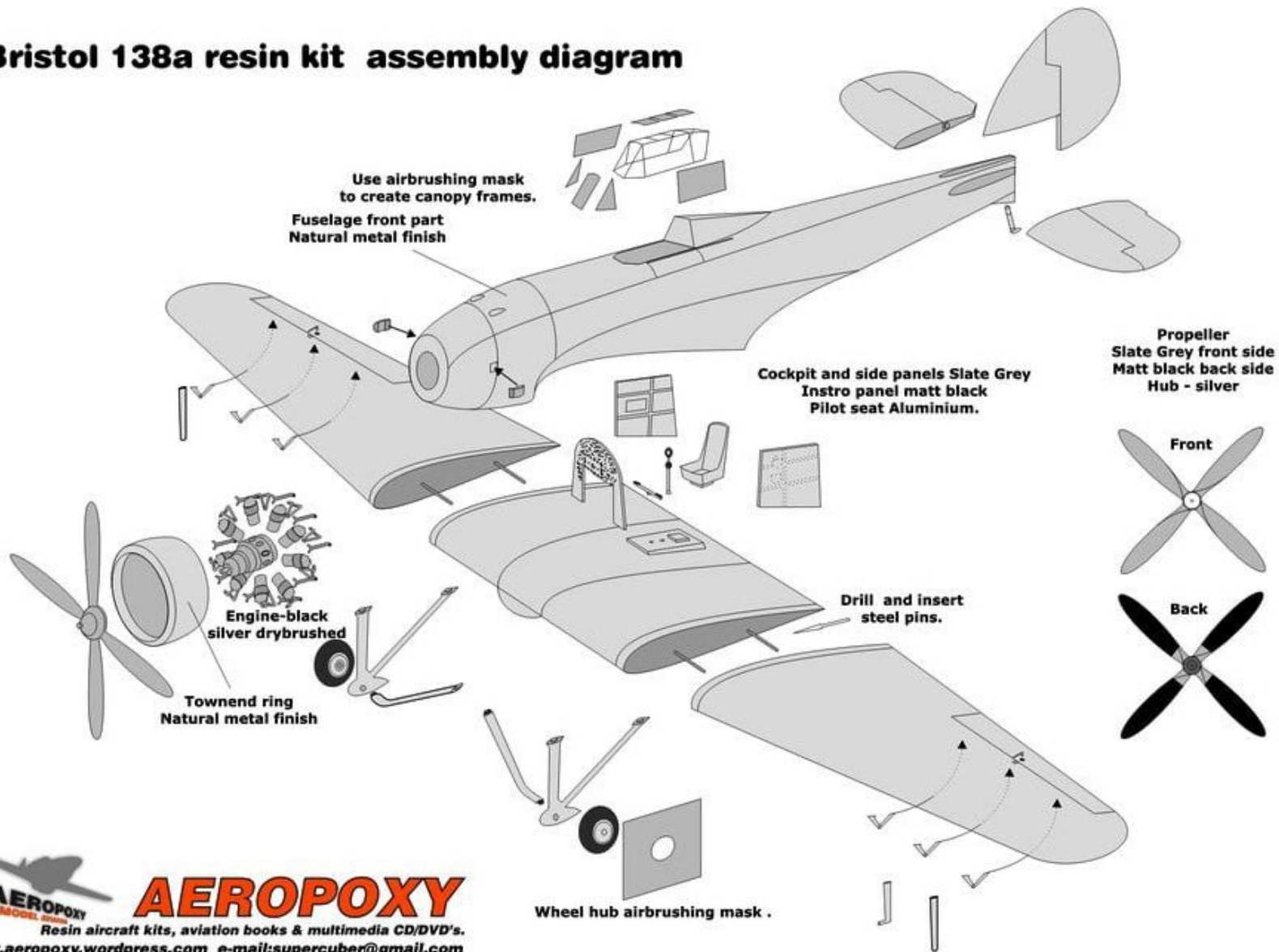
Kit contains clear vac formed canopy parts (two provided). Wash the parts with dish detergent, cut it carefully using sharp scissors and dry test the fit at fuselage position, using scale drawings as reference. Use provided resin canopy plug to precisely cut the clear canopy part, plug is made 0,5mm larger

Set of canopy airbrushing masks is supplied, to create canopy frames . Also, fuselage/wing black painted areas and wheel hubs airbrushing masks are provided.

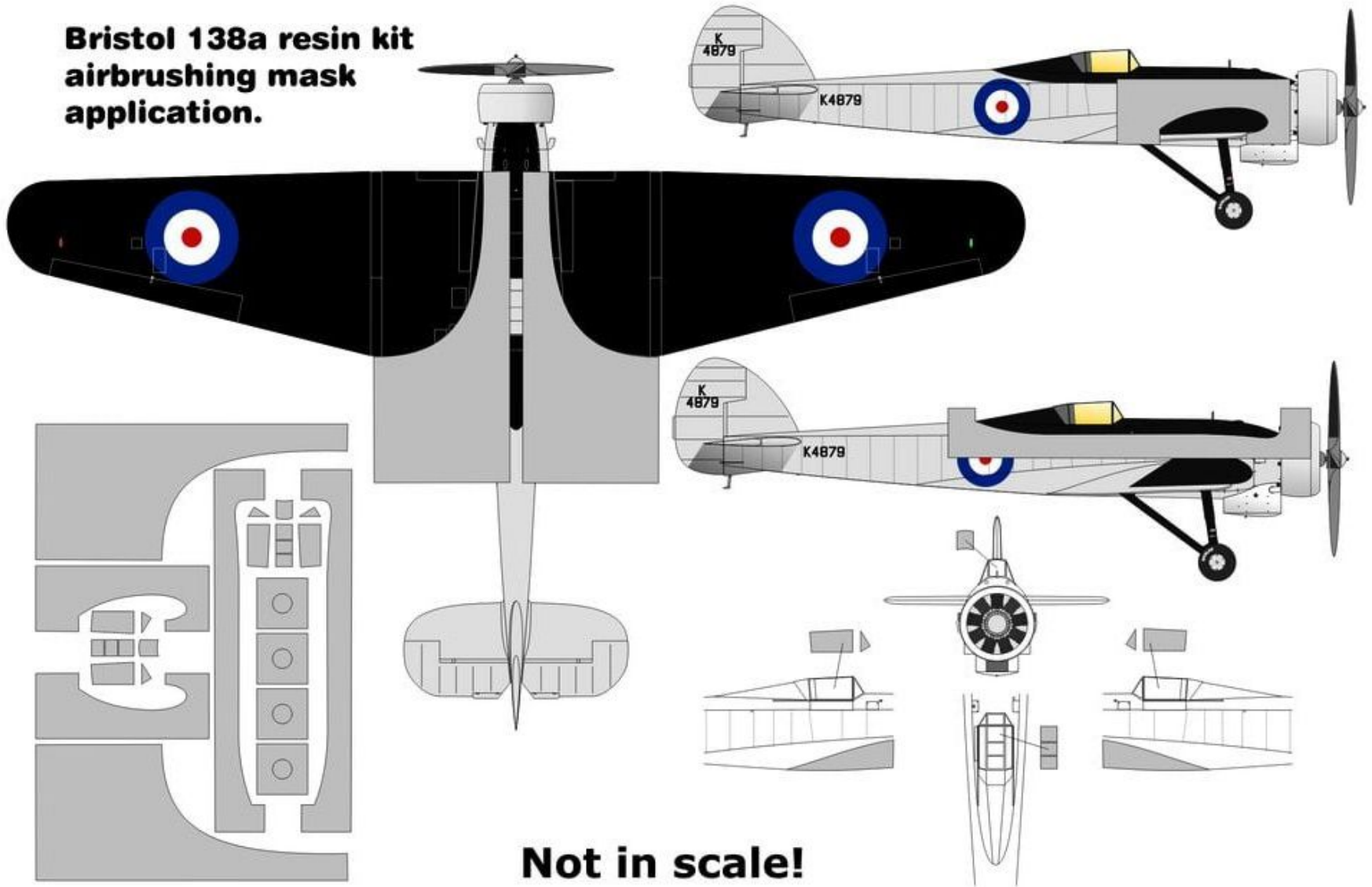
### References:

You can find more references, photos, drawings and paint schemes for **Bristol 138a** in comprehensive PDF archives on CD Rom supplied with this kit.

# Bristol 138a resin kit assembly diagram



**Bristol 138a resin kit  
airbrushing mask  
application.**

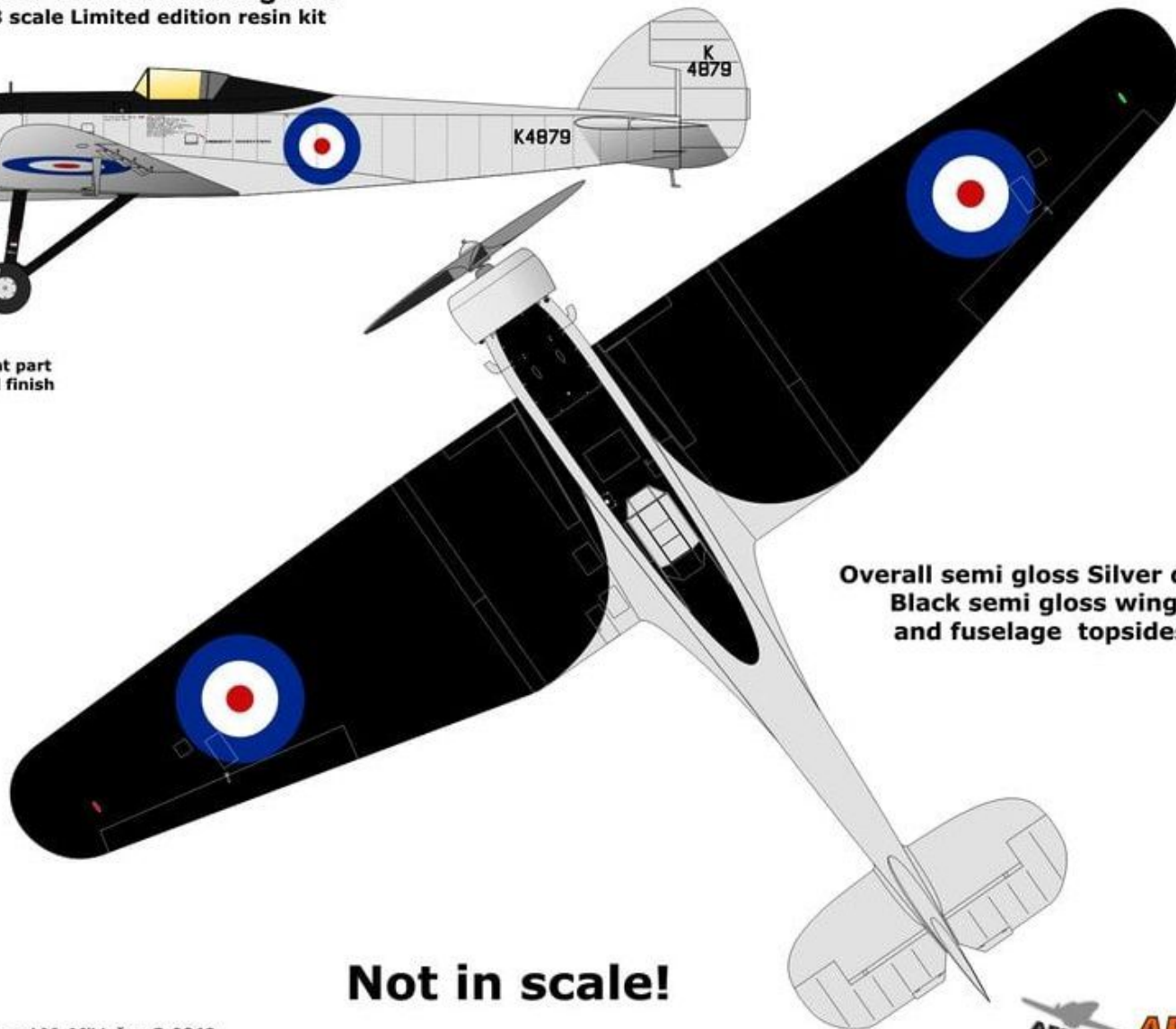


**Not in scale!**

**Bristol 138a Britain Highest**  
1/48 scale Limited edition resin kit



Fuselage front part  
Natural metal finish

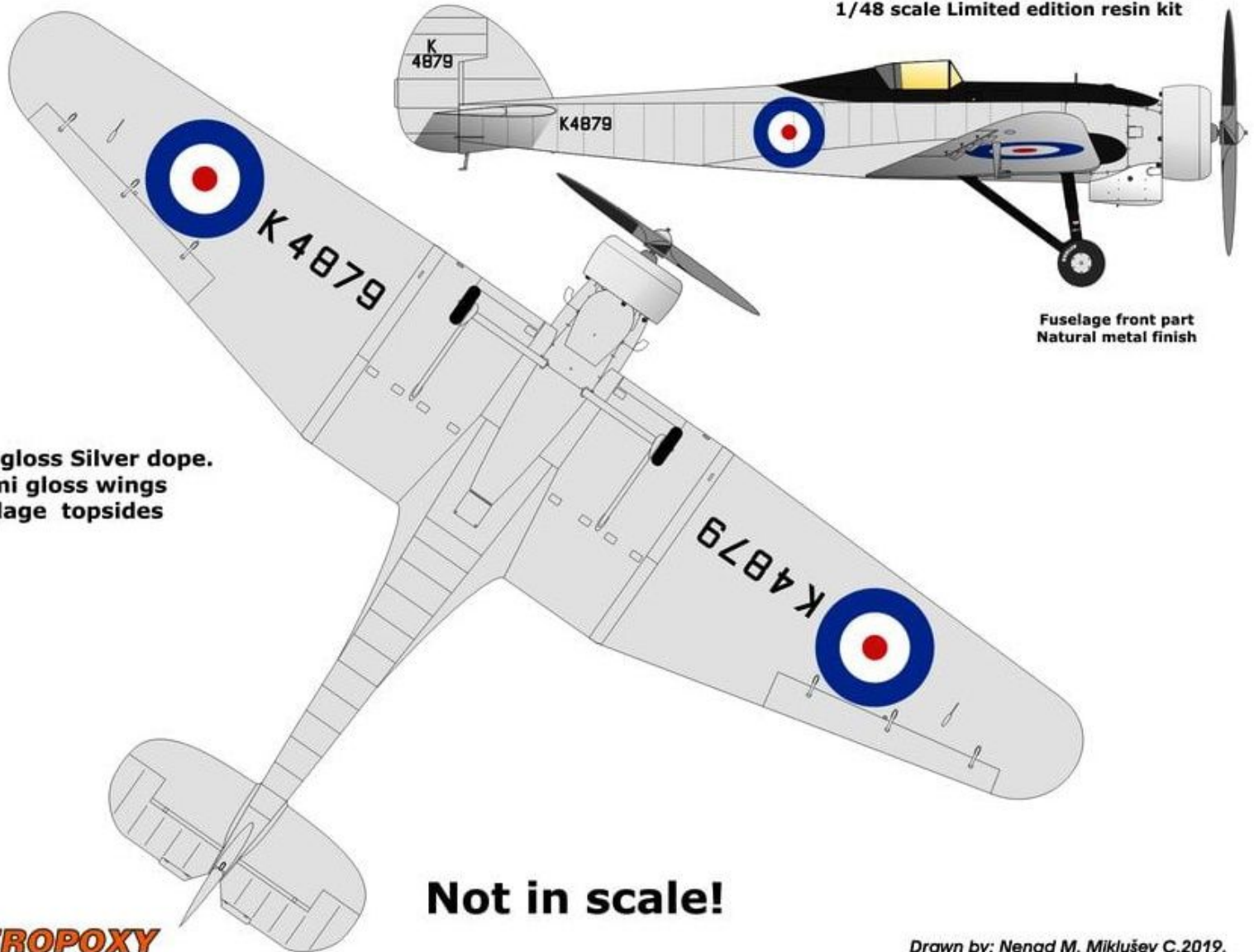


Overall semi gloss Silver dope.  
Black semi gloss wings  
and fuselage topsides

**Not in scale!**

Drawn by: Nenad M. Miklušev C.2019.

**Bristol 138a Britain Highest**  
1/48 scale Limited edition resin kit



**Overall semi gloss Silver dope.  
Black semi gloss wings  
and fuselage topsides**

**Fuselage front part  
Natural metal finish**

**Not in scale!**