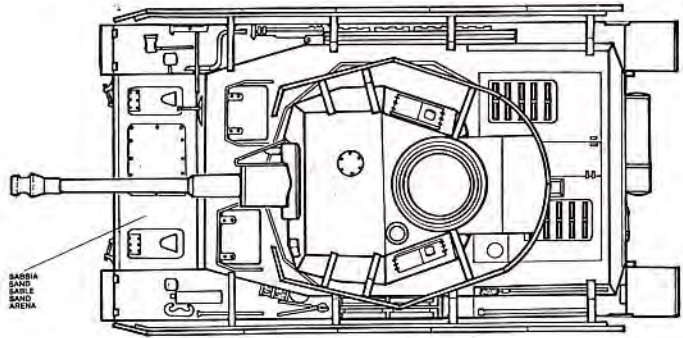
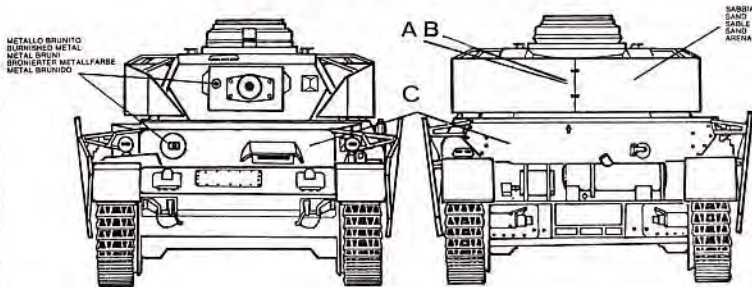
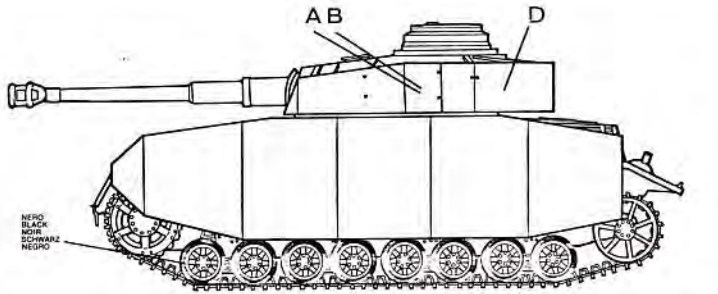


# GERMAN TANK pz. kpfw. IV ausf. g



## SPECIFICATION

### GENERAL

CREW: 5.  
 BATTLE WEIGHT: 25.8 TONS.  
 GROUND PRESSURE: 11.8 LBS/SQ. IN.

**1/72 SCALE**

### DIMENSIONS

LENGTH: 19.4 FT.  
 HEIGHT: 8.53 FT.  
 WIDTH: 9.5 FT.  
 WIDTH OF TRACK: 15.75 IN.  
 GROUND CLEARANCE: 15.75 IN.

**KIT 8058**

### ARMAMENT

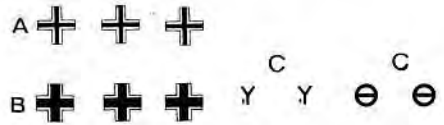
ONE 7.5 CM. KWK 40, CALIBER LENGTH 43, 87 ROUNDS.  
 TWO 7.9 MM. MG. 34 (COAXIAL AND BOW).

### ENGINE

HL 120 TRM MAYBACH, 300 HP AT 3,000 RPM, 12 CYLINDERS IN V-BLOCK,  
 GASOLINE, LIQUID COOLED, COMPRESSION RATIO 6.5 : 1.

### PERFORMANCE

SPEED: 25 MPH ON ROADS, 10 MPH CROSS-COUNTRY.  
 CLIMBING ABILITY: 30° (57%) SLOPE.  
 TRENCH CROSSING ABILITY: 7.2 FT.  
 FORDING DEPTH: 39.4 IN.  
 FUEL CAPACITY: 125 GAL.  
 RADIUS OF ACTION: 124 MILES ON ROADS,  
 78 MILES CROSS-COUNTRY.



ART.8058 PZ KFW IV G  
 MADE IN ITALY

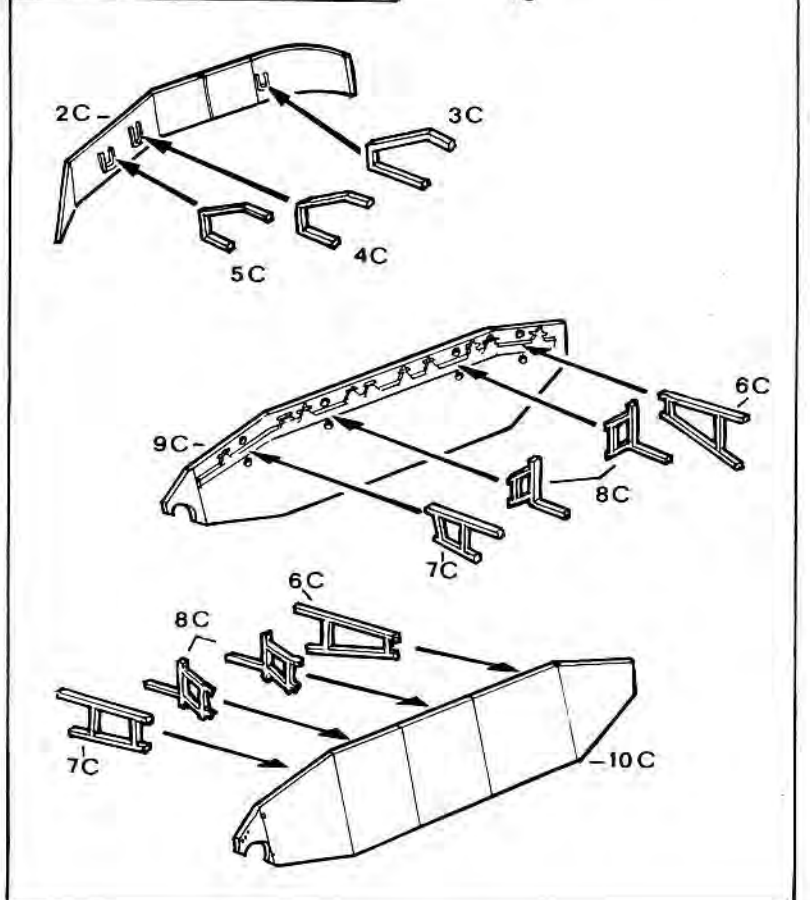
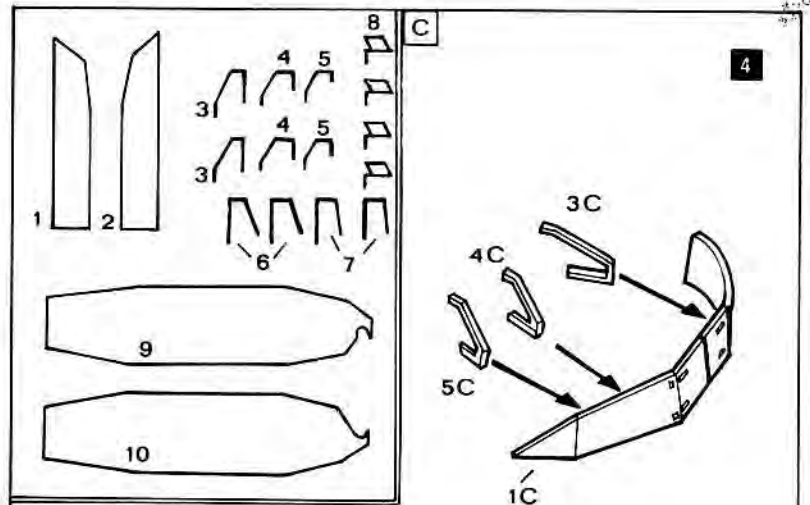
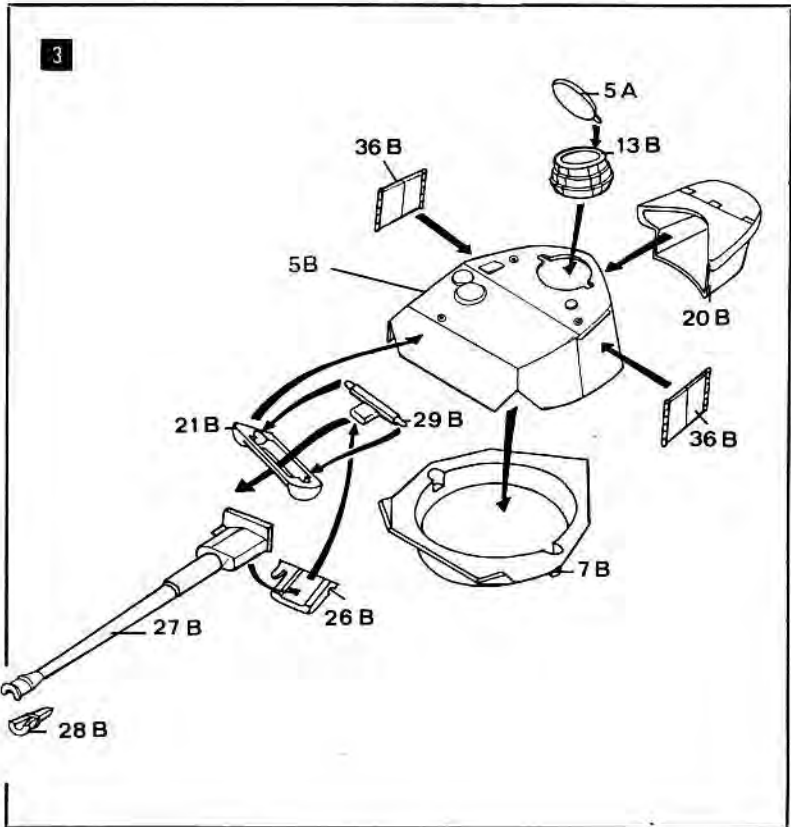
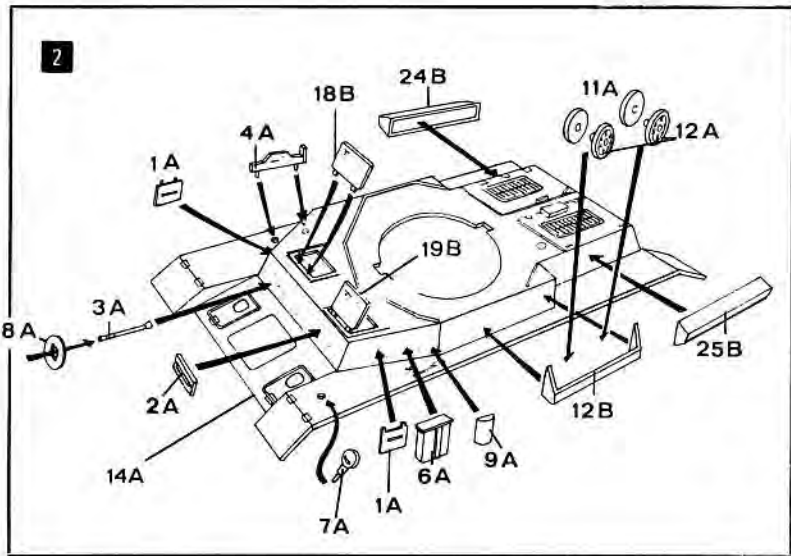


MADE IN ITALY

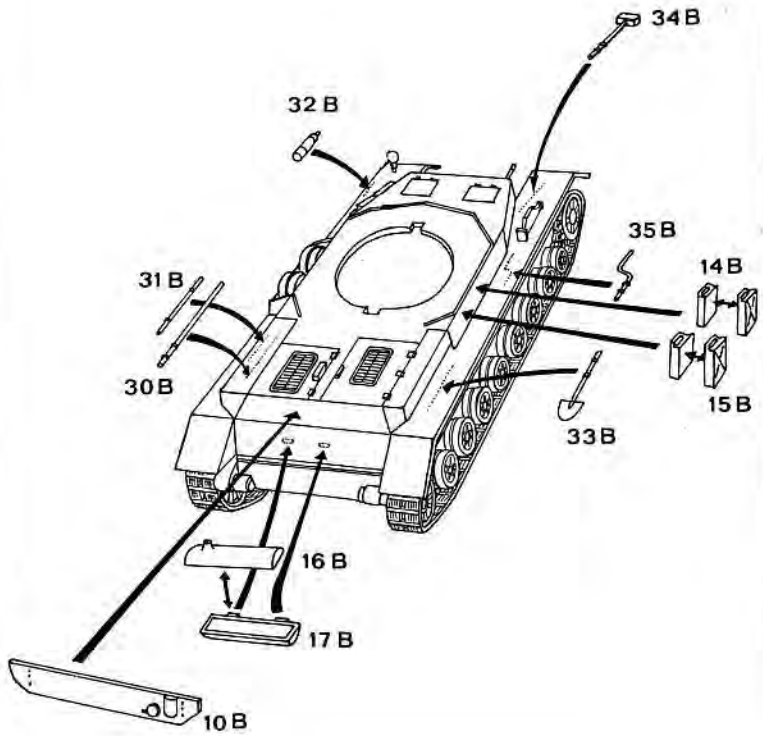
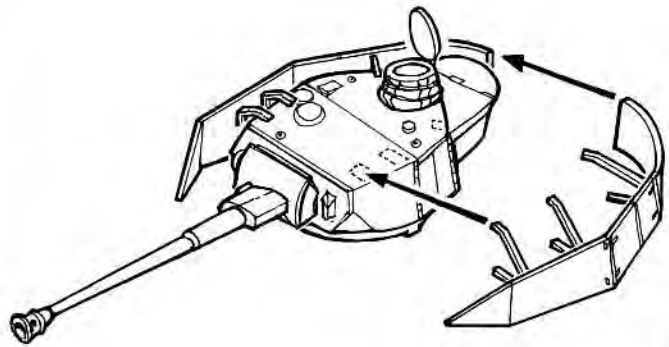


MADE IN ITALY





5



6

