

Russian 9P113 TEL w/9M21 Rocket of 9K52 Luna-M Short-range artillery rocket system(FROG-7)

苏联蛙7战术火箭

READ BEFORE ASSEMBLY:

- Study and understand these instructions thoroughly before beginning assembly
- When needed, remove photo-etch parts carefully using a modeling knife or photo etch sprue cutter, being careful not to damage or lose small parts.
- Take extra care in handling photo etch parts in order to avoid injury
- Apply instant cement sparingly to photo etch parts where instructed
- Tools recommended(not included in kit):Plastic and instant cements, sprue cutters,long nose pliers,modeling knife, small files, tweezers, pin vise & scissors. Soft cloth and sandpaper will also assist in construction
- Glue and paint are not included in the kit. Use plastic cement and hobby paints only. Color guide for purchasing paint is included in the kit.

装配之前仔细阅读

- 小心用模型锉刀锉平所有零件表面的注射浇口。
- 小心用刀片切下蚀刻片零件，不要遗失小零件。
- 用强力快干胶水粘合蚀刻片零件和金属轴。过量快干胶水使用可能导致可动零件会粘住，小心涂胶。
- 取蚀刻片时应特别注意安全，防止利边划伤手指。
- 某些零件表面需贴水上贴纸，请选择在装配的同时进行。
- 推荐模型工具(自备)：胶水，水口剪刀，长咀钳，刀片，锉刀，镊子，钳，钻，剪刀，瞬间快干胶。
- 软布同砂纸同时也应该是必备工具。
- 请使用塑料胶水和油漆，模型内不含。



配重
Weight



使用强力胶
Cyanoacrylate glue



钻孔
Make hole



切除
Cut / Remove



贴纸
Decal



锉平
File / Sand



选择
Option



不涂胶水
No cement



弯曲
Bend



先装
Install it first

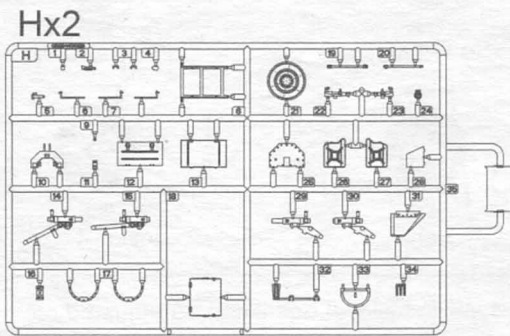
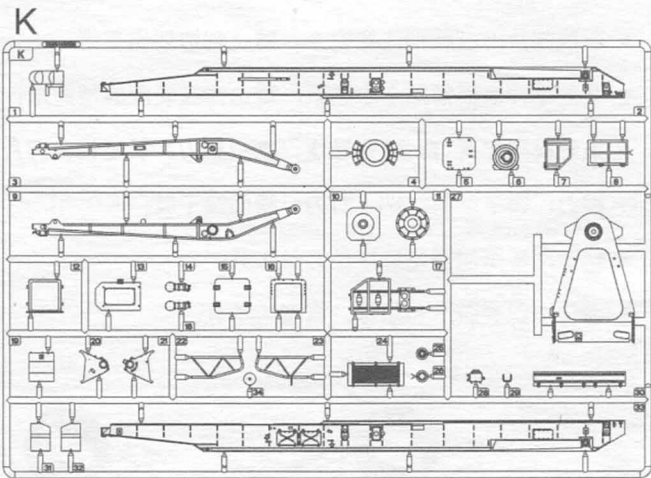
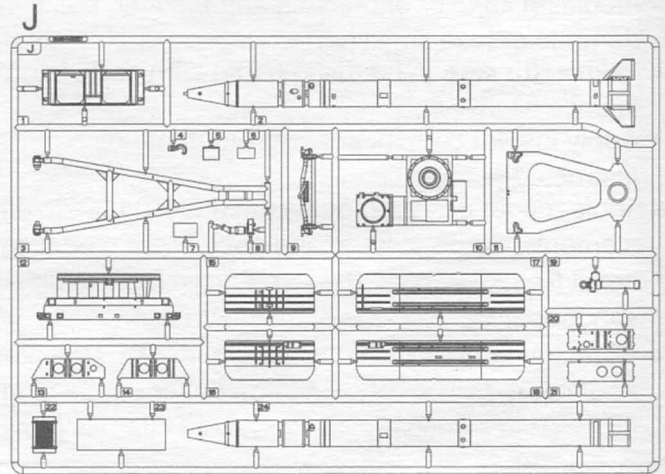
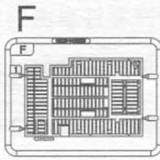
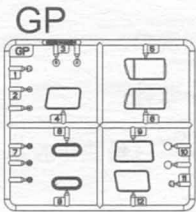
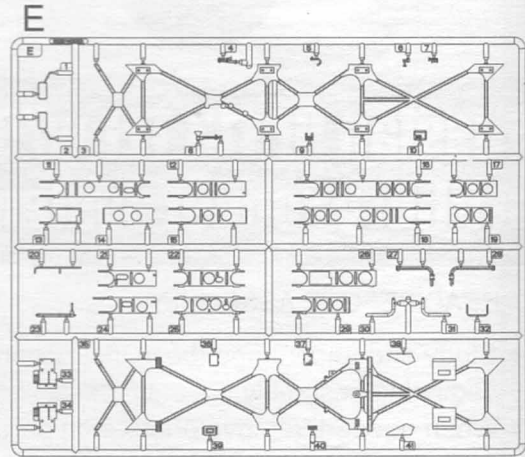
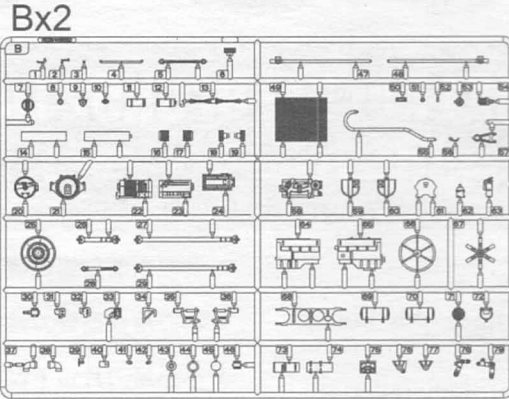
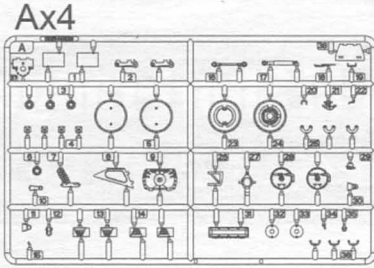
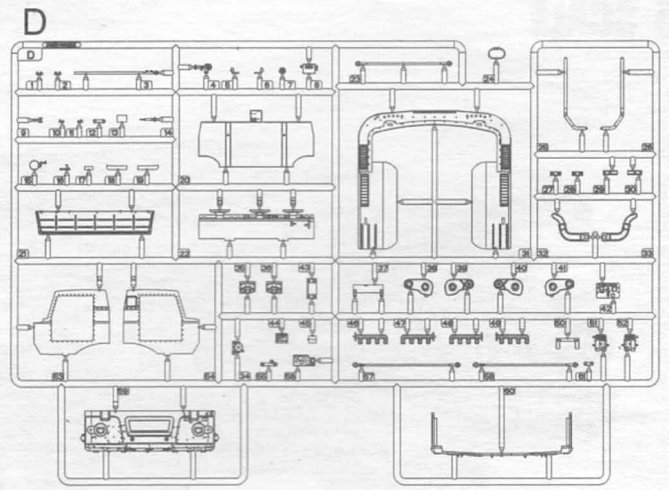
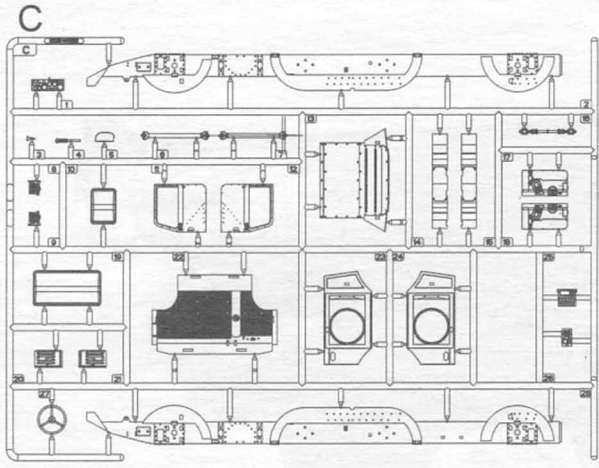
水贴纸的使用:

- 1.从水贴纸上剪下印花;
- 2.将印花放入温水中浸10秒，然后放在干净布上。
- 3.拿着印花纸板将印花移到模型上;
- 4.手指蘸水将印花移到适当的位置;
- 5.用软布轻压印花直至水干，气泡消失

DECAL APPLICATION

- 1.Cut decals from sheet as needed
- 2.Dip the decal in warm water for about 10 seconds and then place on soft clean cloth.
- 3.Hold the decal backing sheet edge and gently slide the decal onto the model in its proper position.
- 4.While still wet,decal can be adjusted for better fit on model by dampening it gently with your finger.
- 5.When placed in the proper position,gently press decal down with a soft cloth until excess water and air bubbles are gone.
- 6.Allow decal to dry completely before handling model

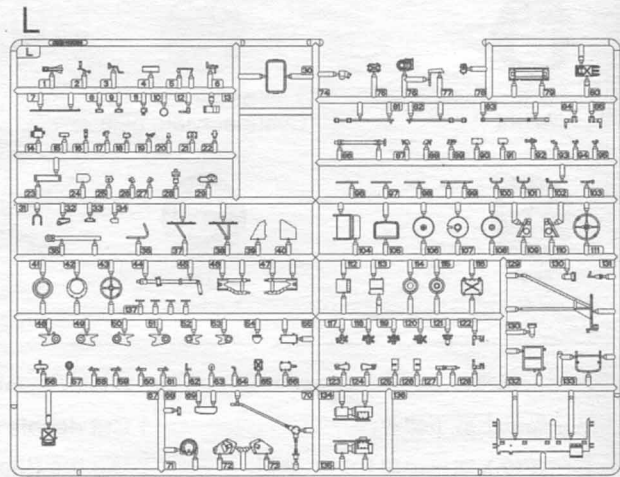
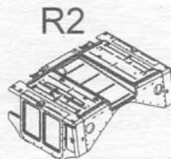
部品图 Parts



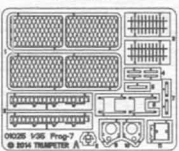
《棉绳》x500mm
Rose



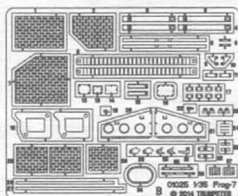
《轮胎》x8
Tyre x8



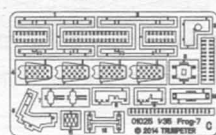
《蚀刻片A》
PE-A



《蚀刻片B》
PE-B



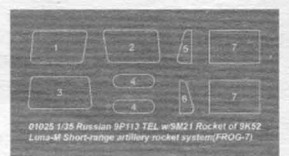
《蚀刻片C》
PE-C

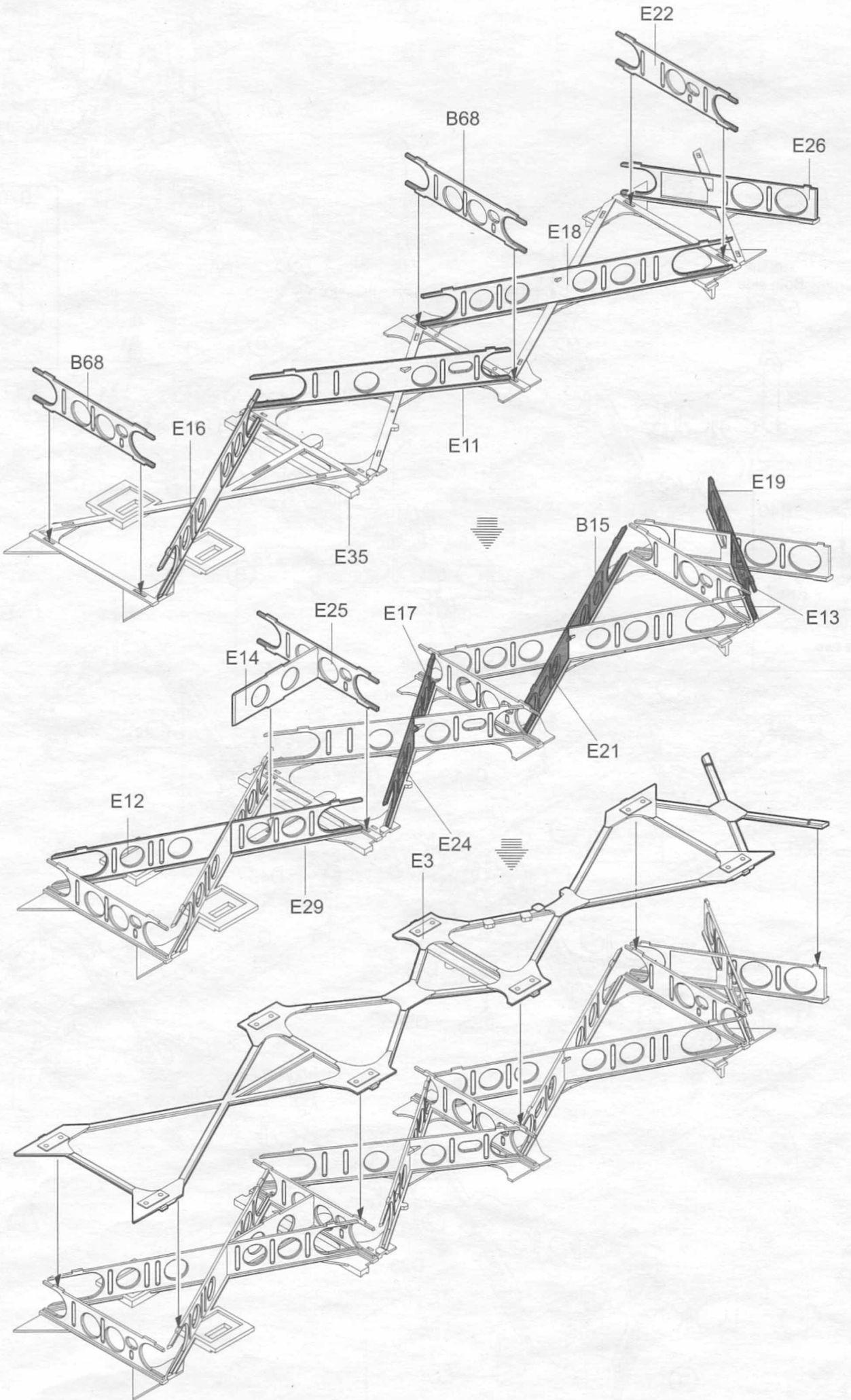


《水贴》Decal



《遮盖纸》Die-cut mast x2





2

对侧相同
Both side
A25×4

对侧相同
Both side

B70

B69

制作2组
Make two

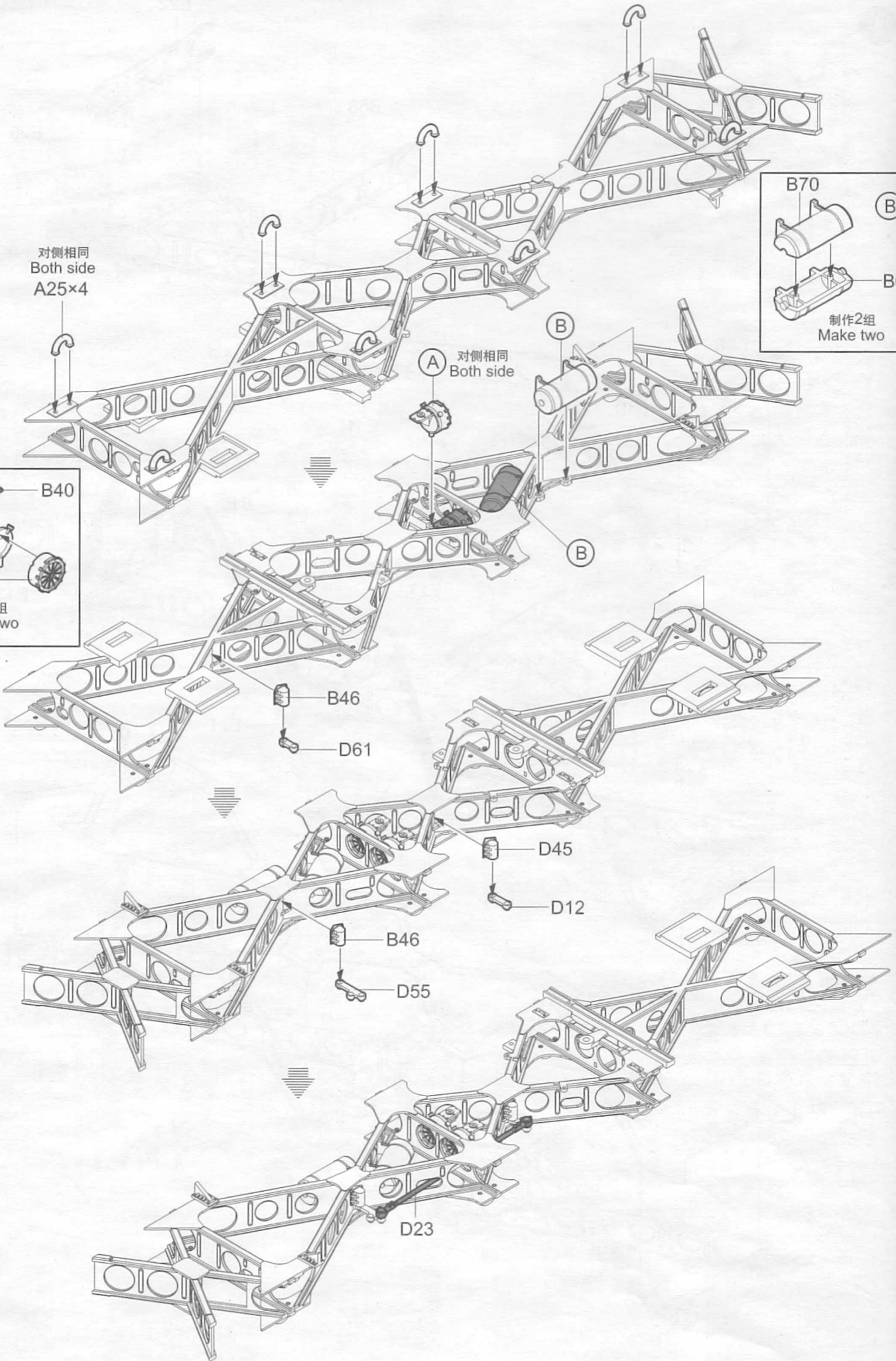
A

B40

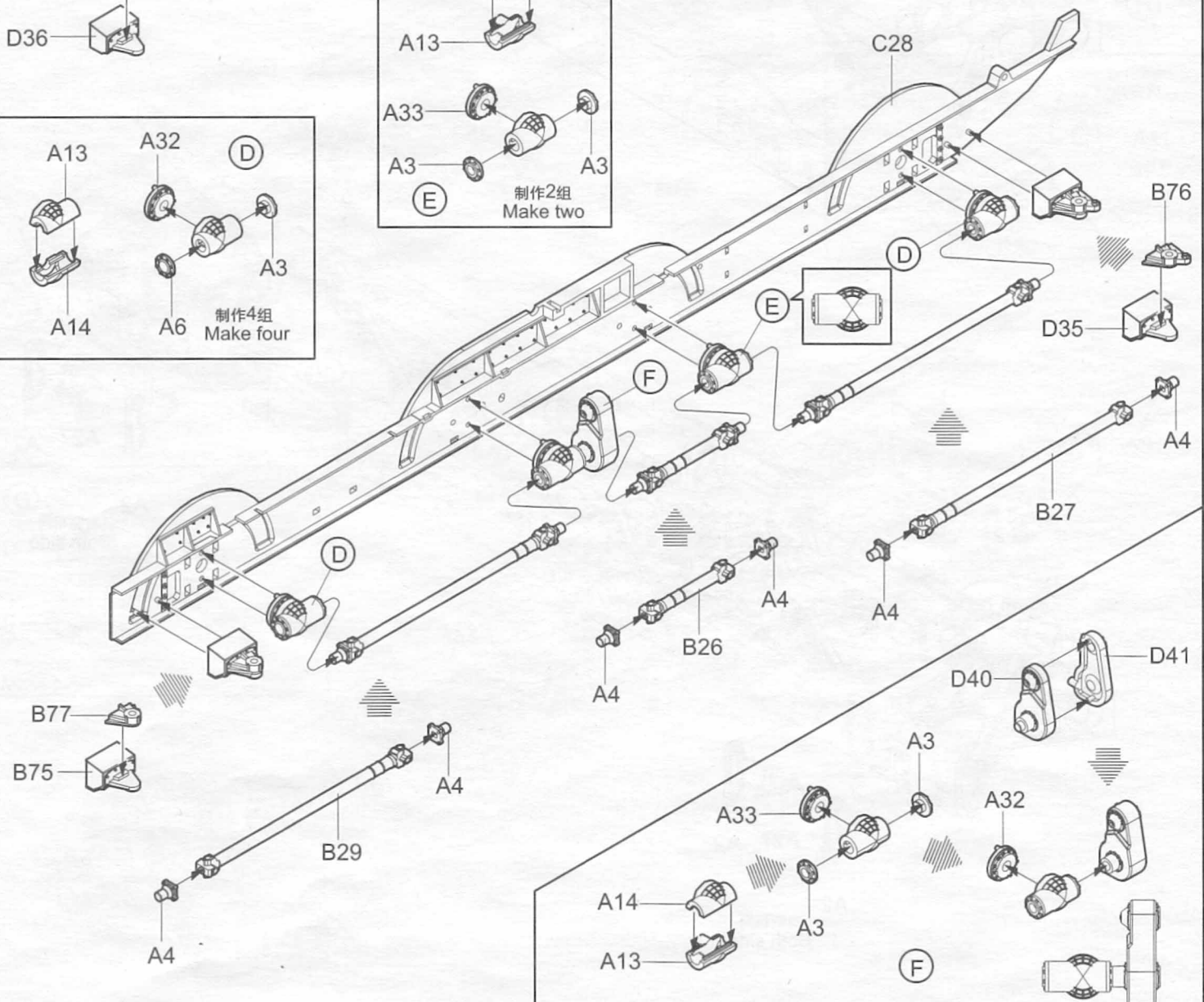
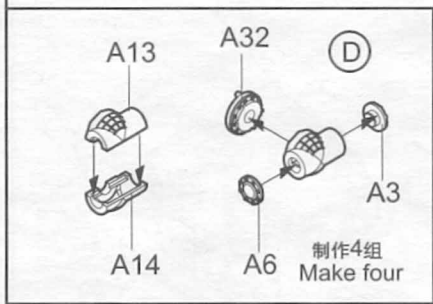
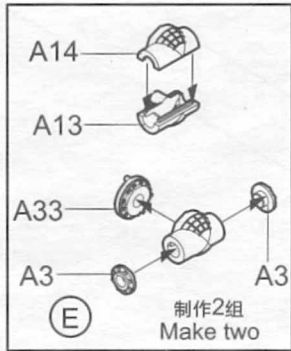
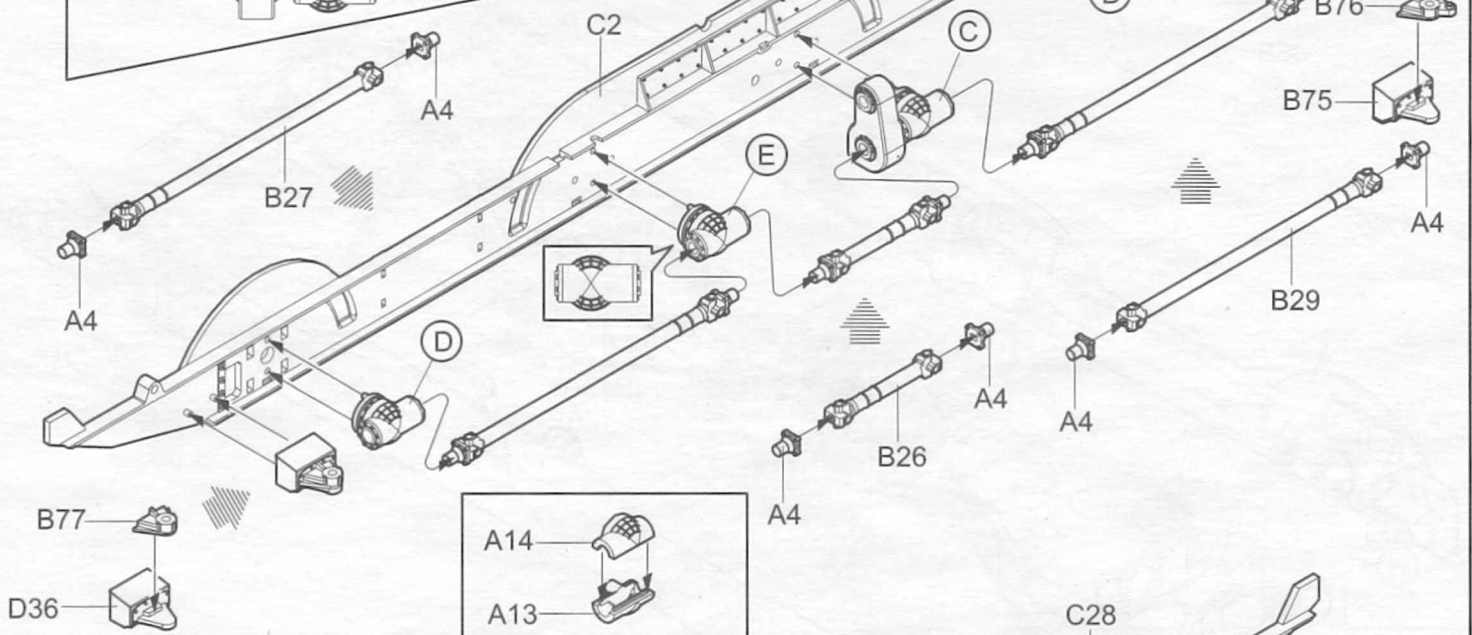
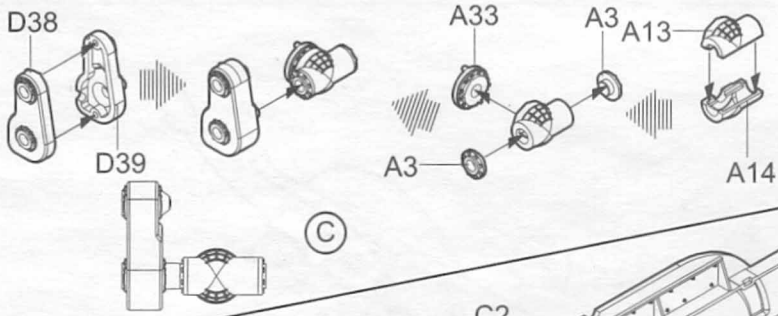
B72

B71

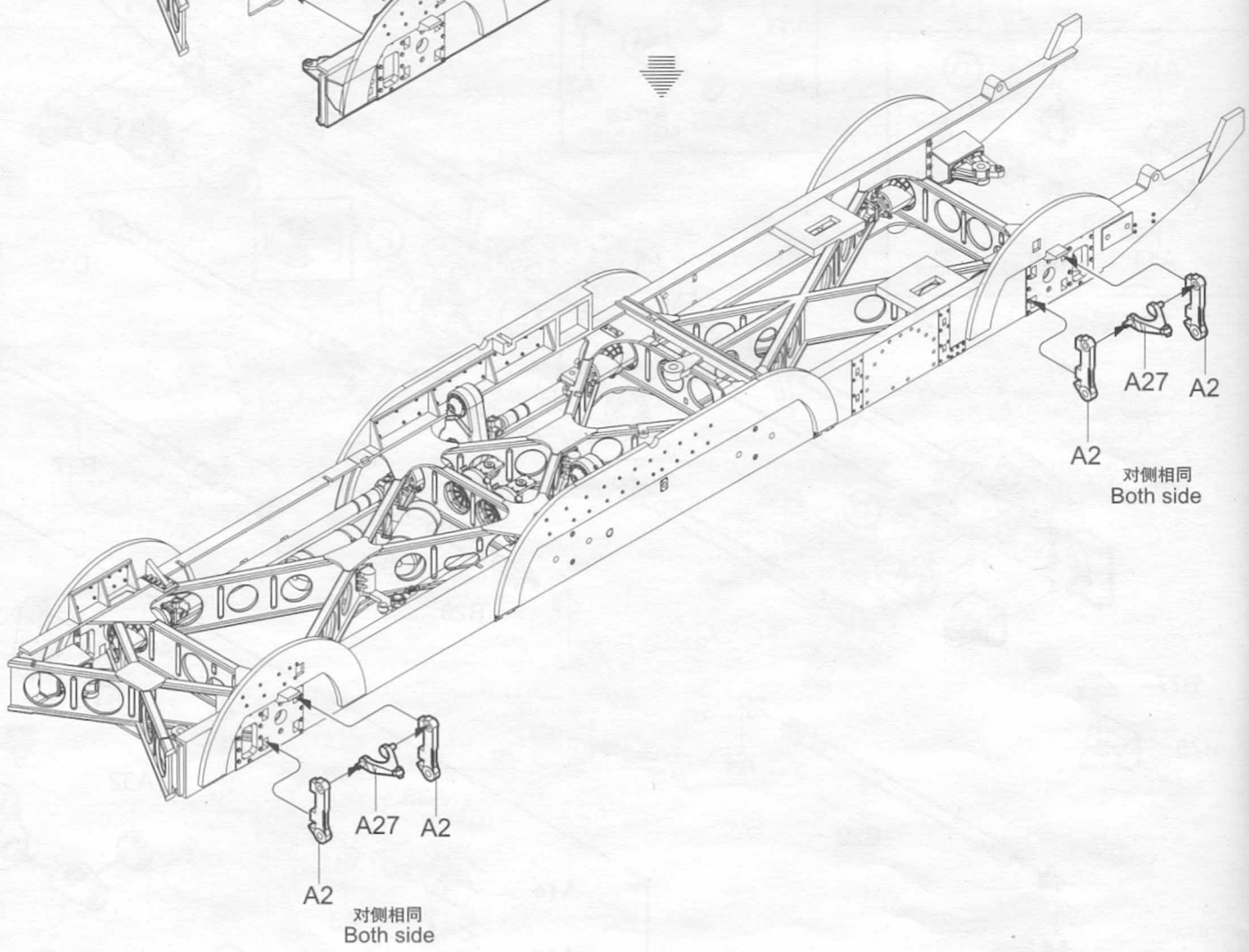
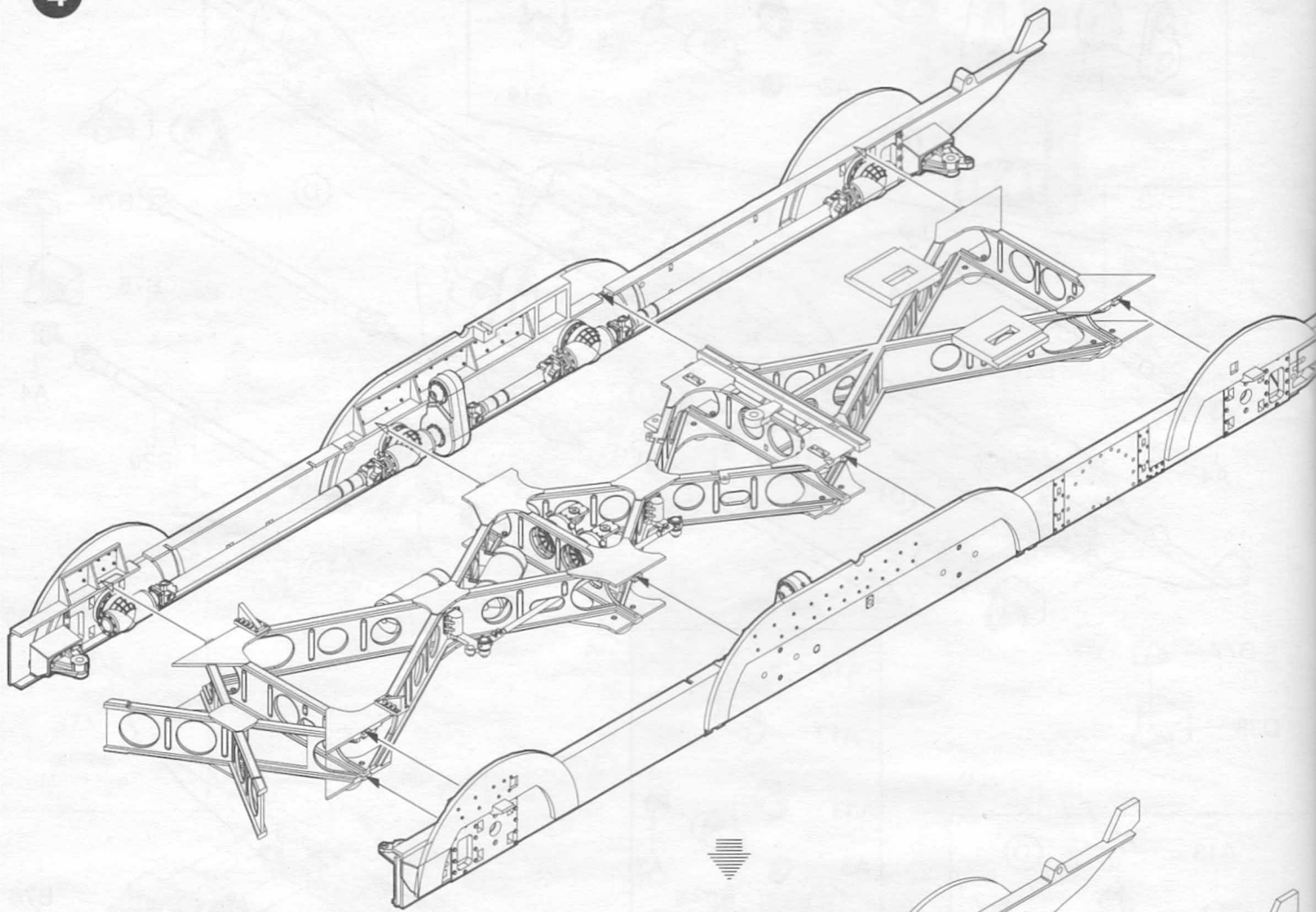
制作2组
Make two



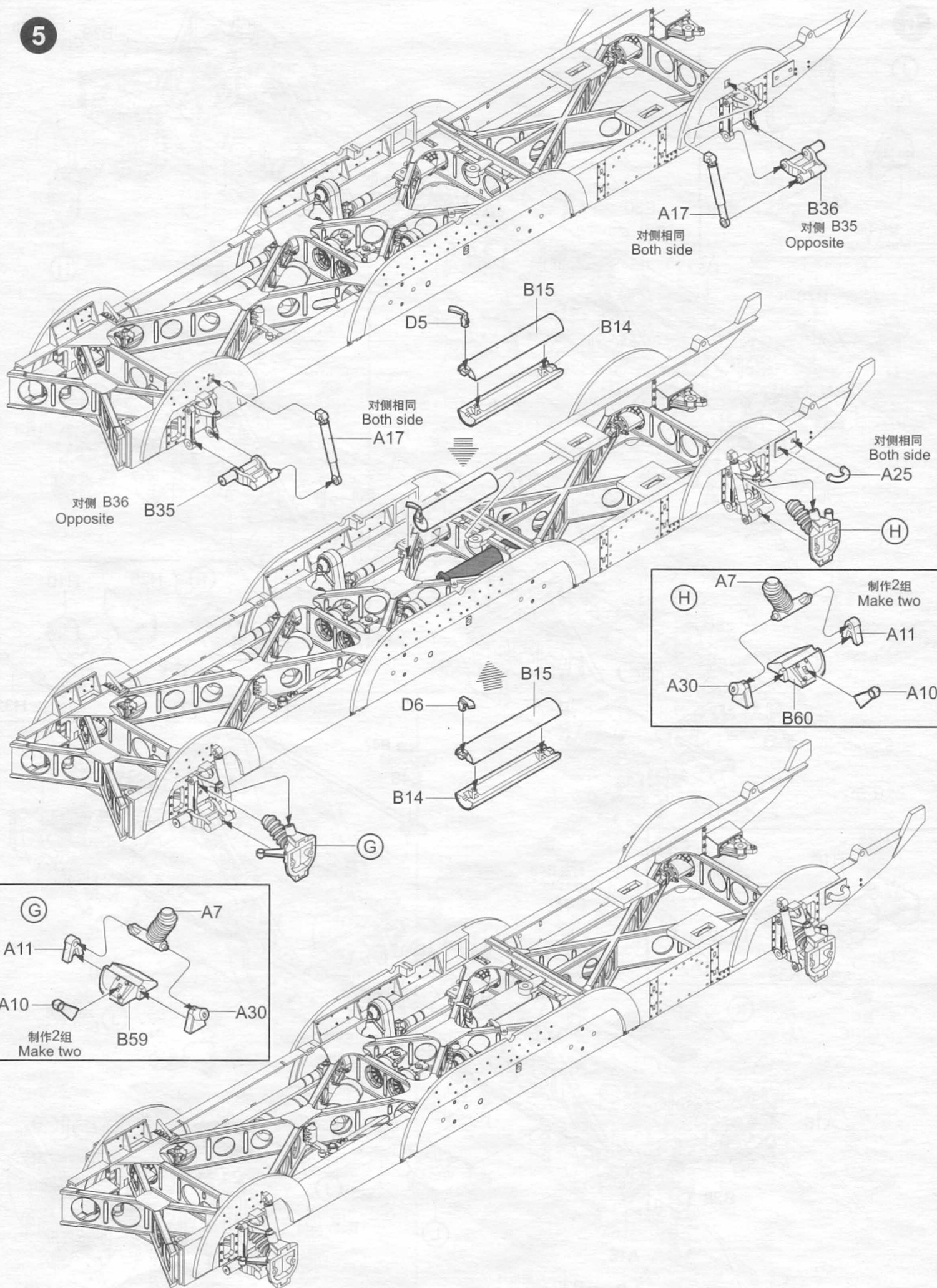
3



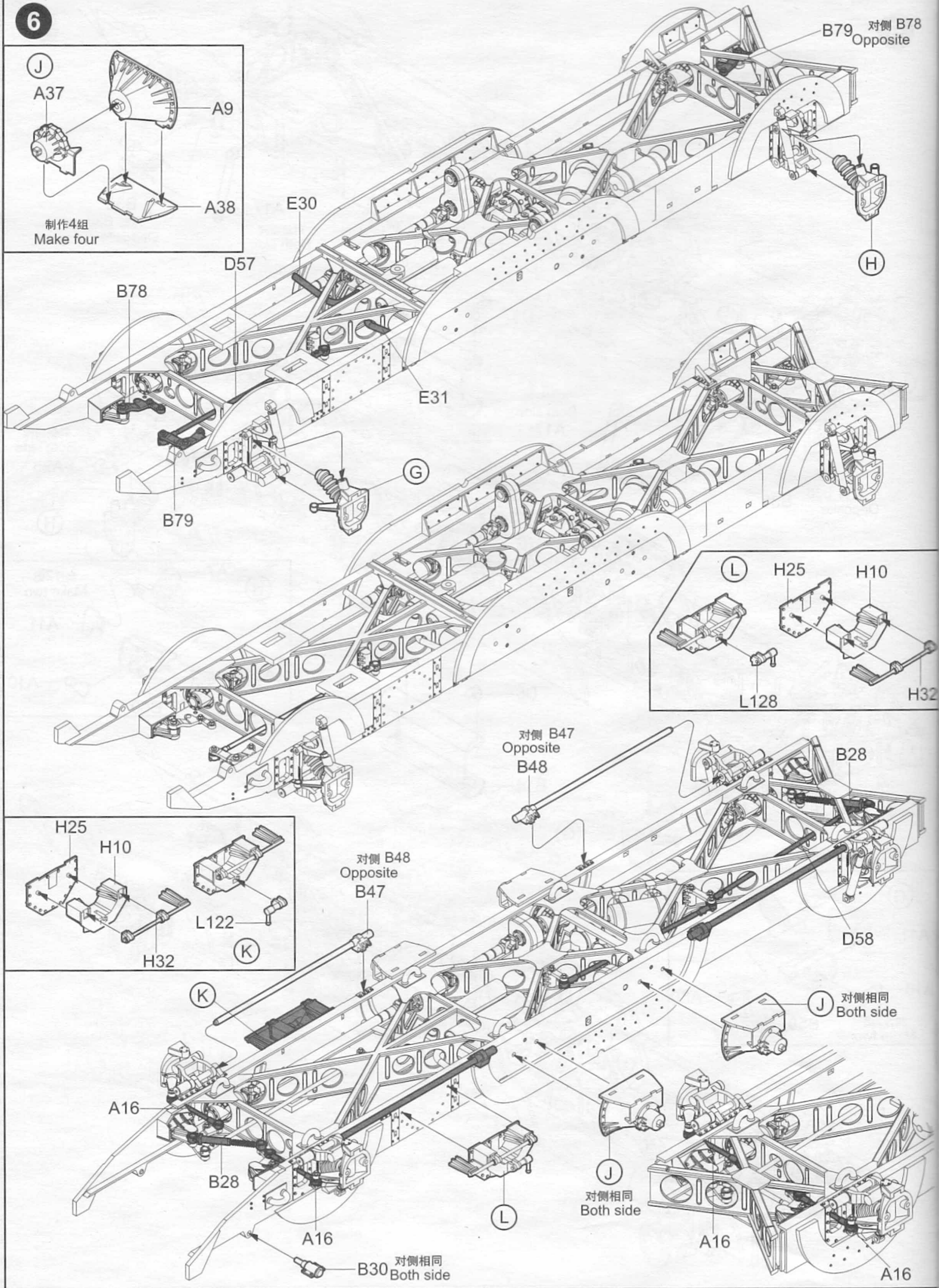
4



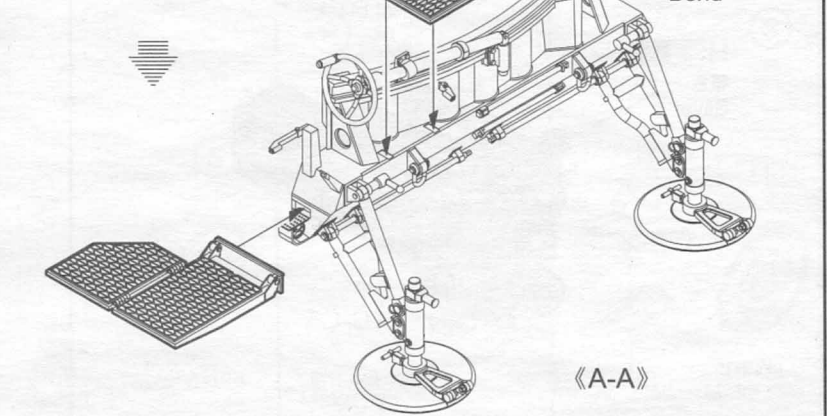
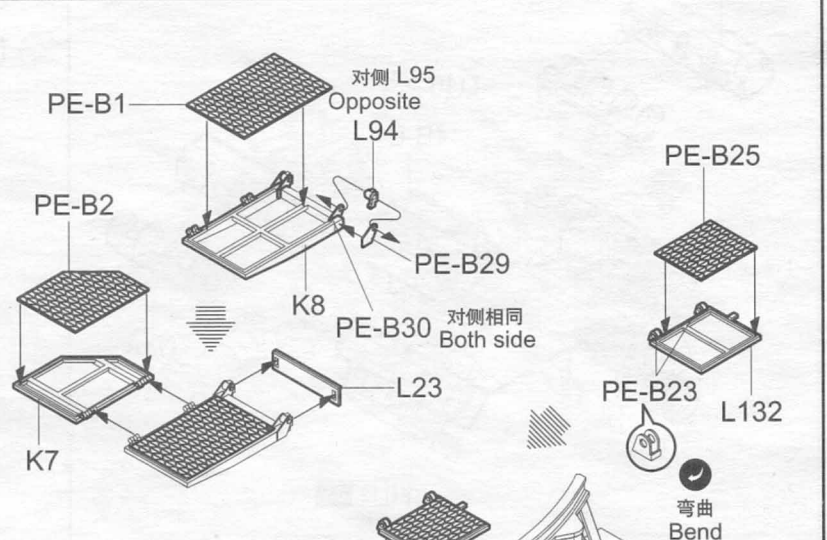
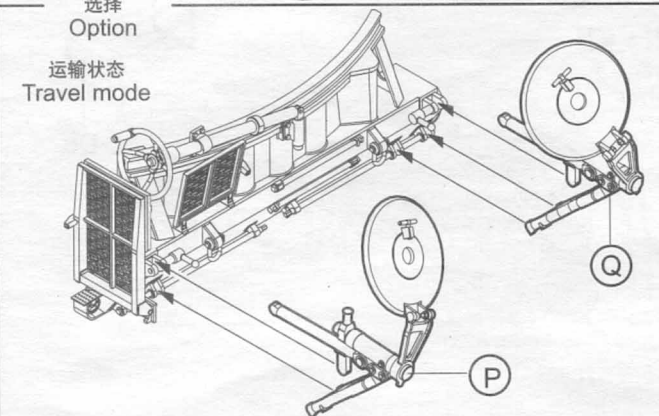
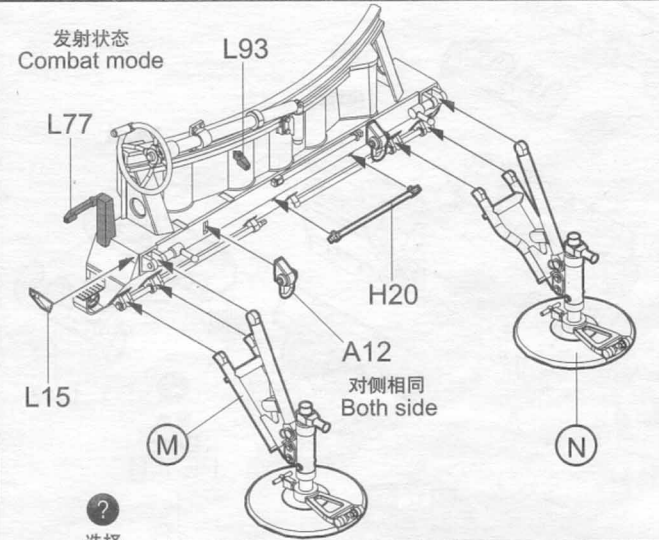
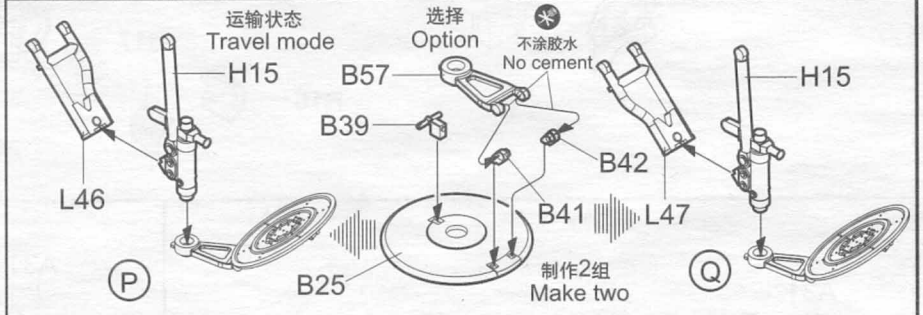
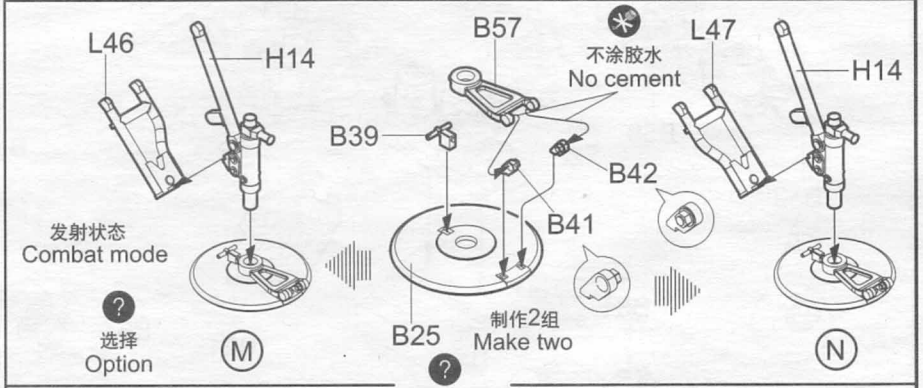
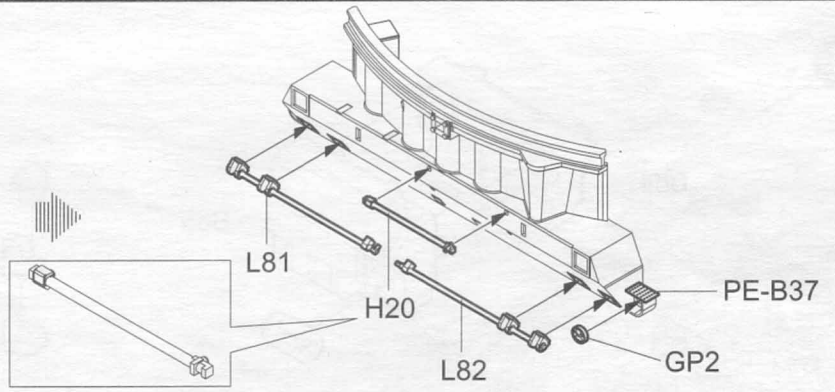
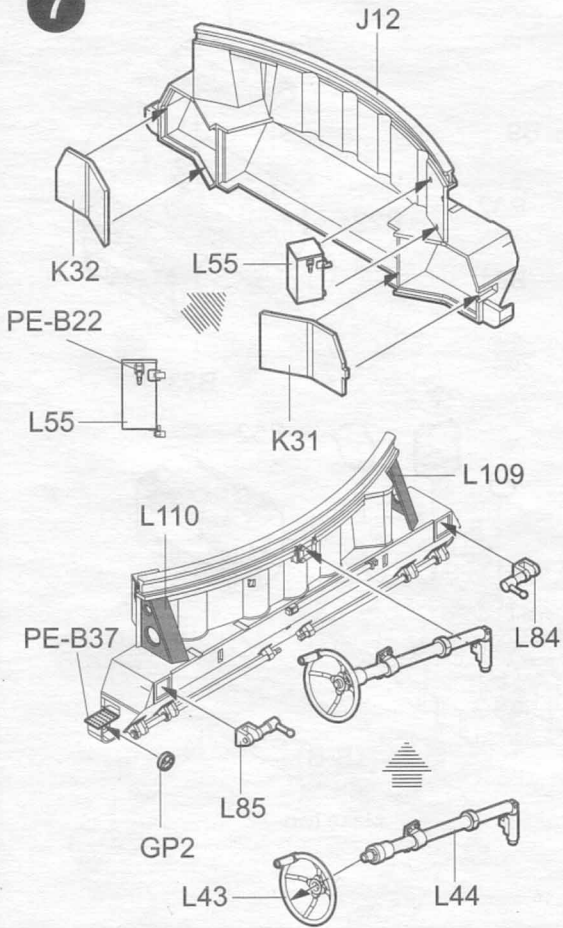
5



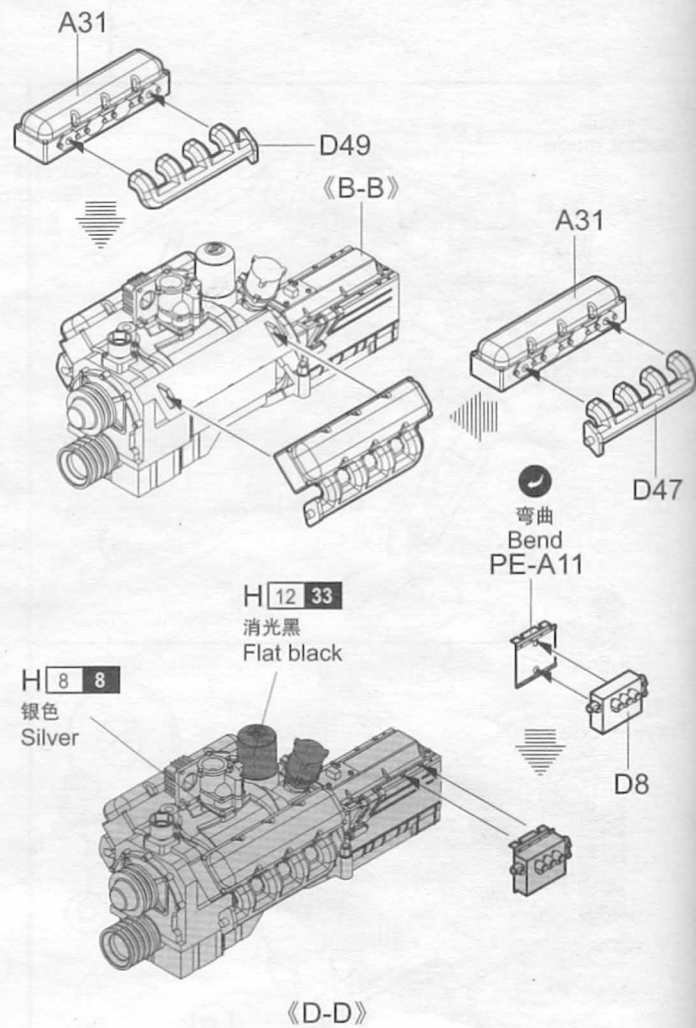
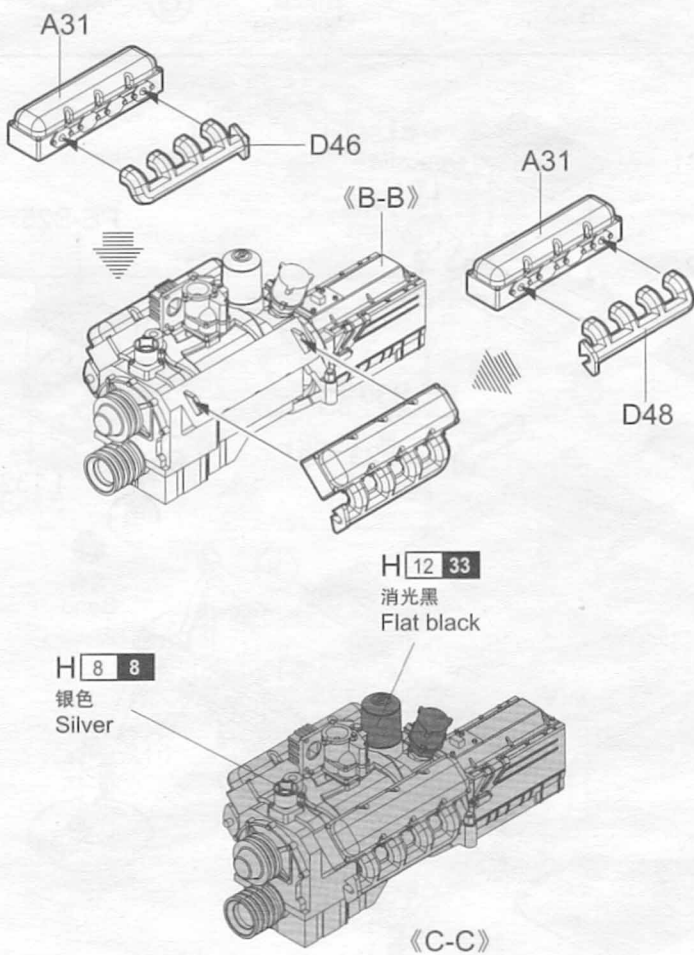
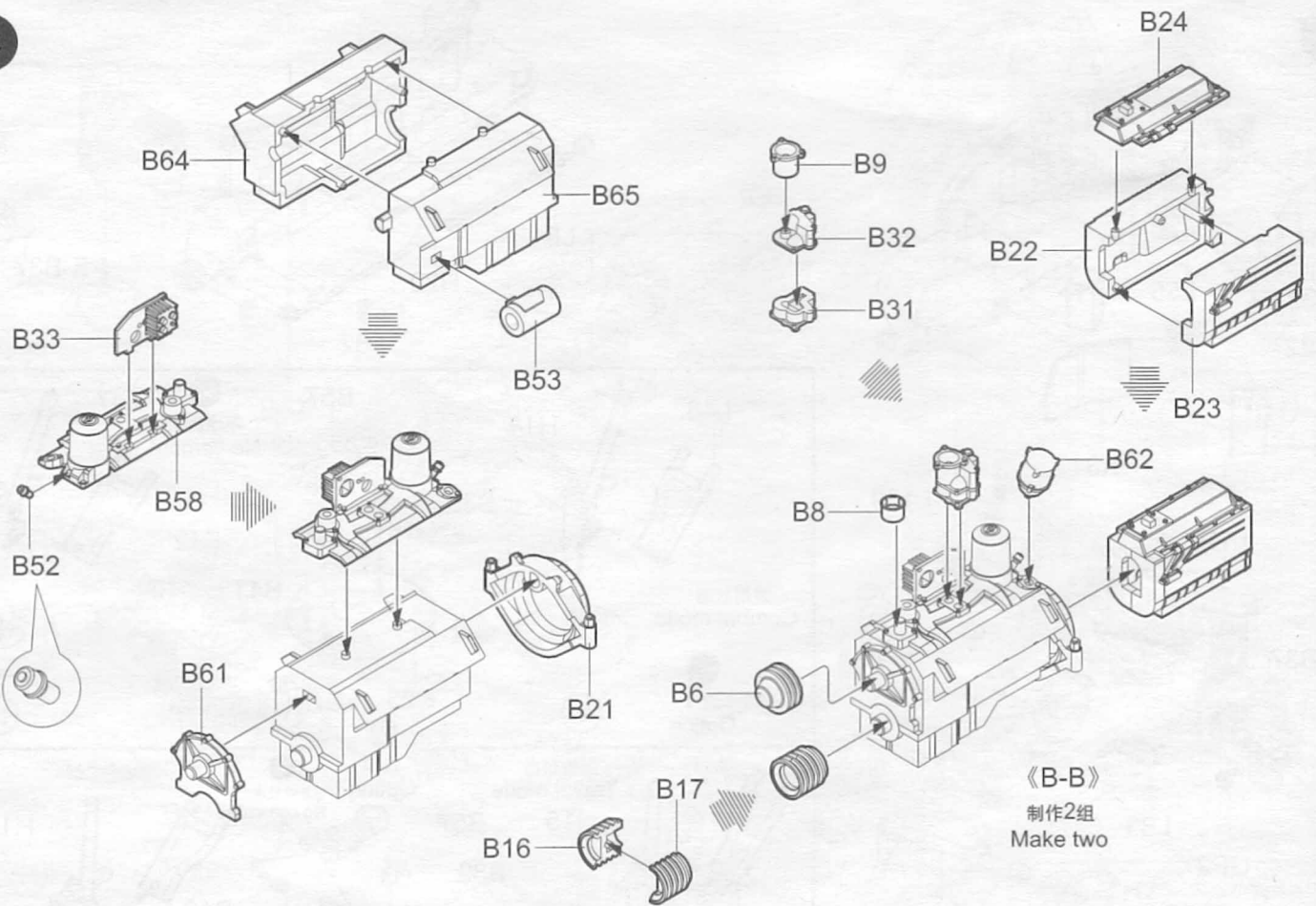
6



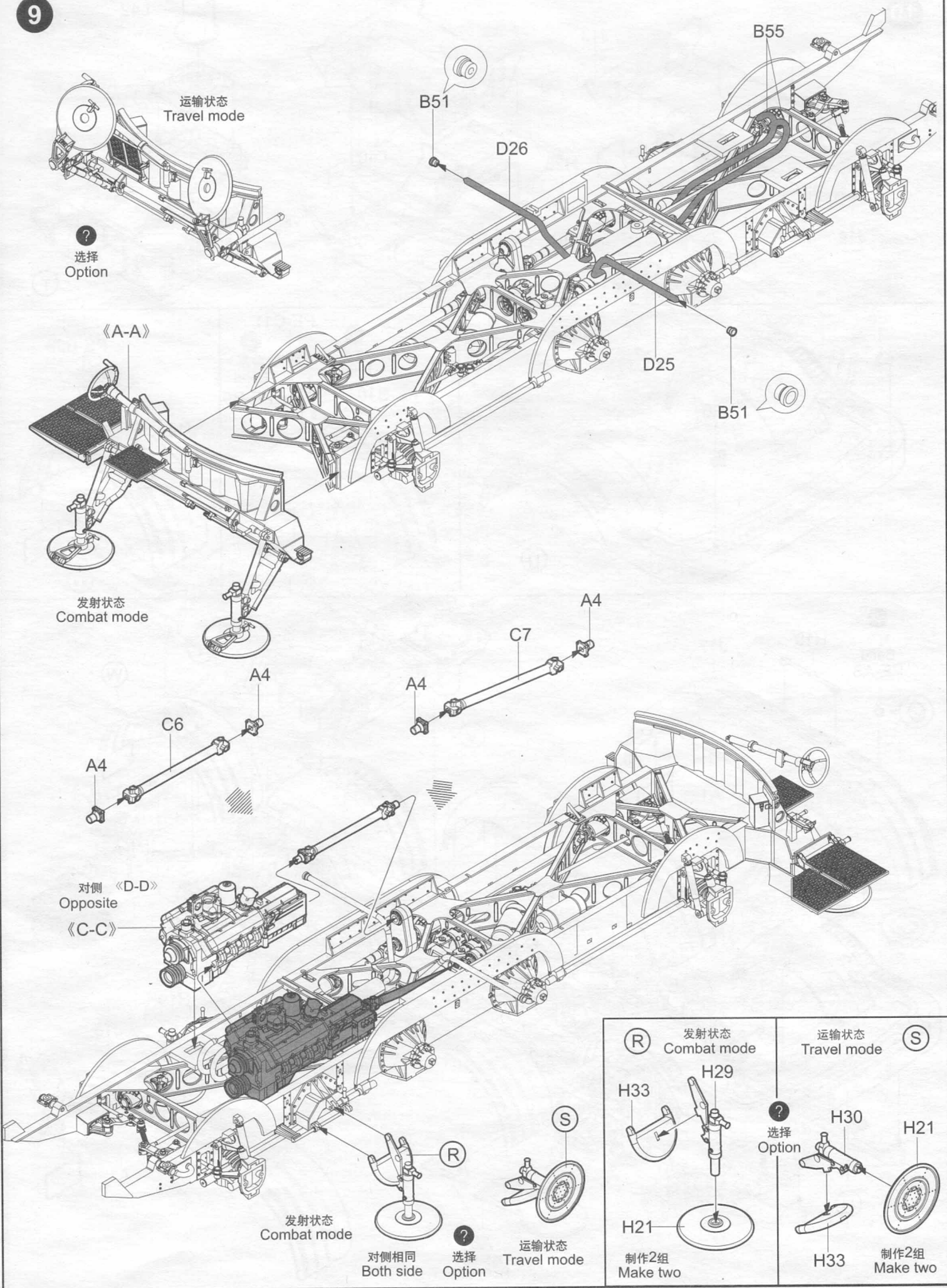
7



8



9



运输状态
Travel mode

选择
Option

发射状态
Combat mode

对侧 $\langle D-D \rangle$
Opposite
$\langle C-C \rangle$

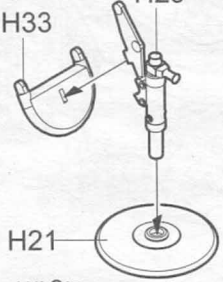
发射状态
Combat mode

对侧相同
Both side

选择
Option

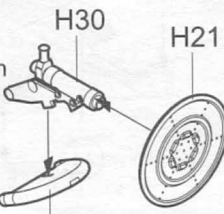
运输状态
Travel mode

(R) 发射状态
Combat mode



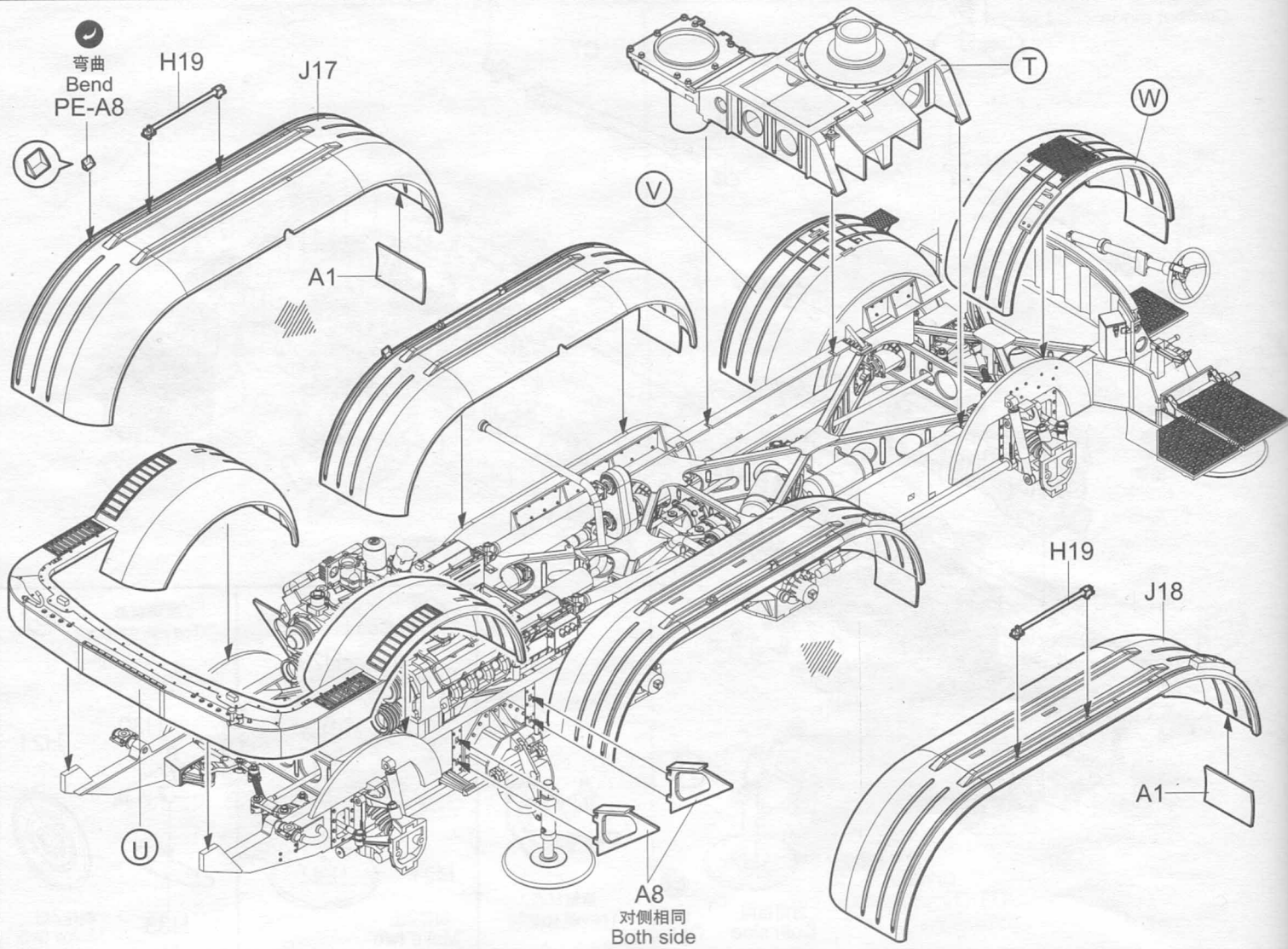
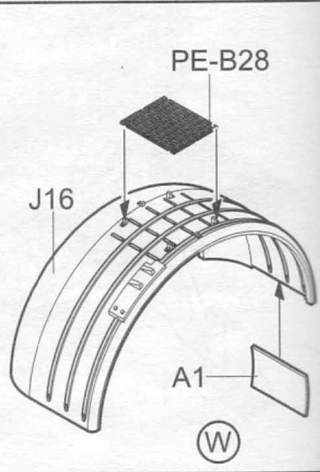
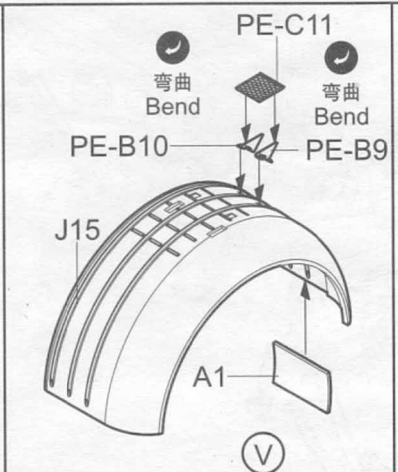
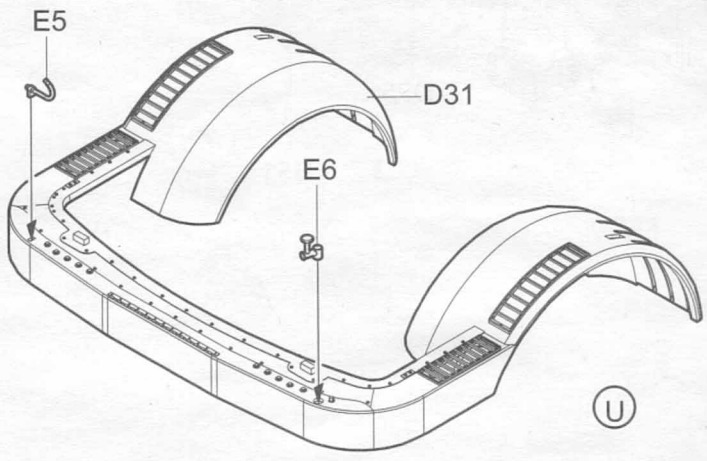
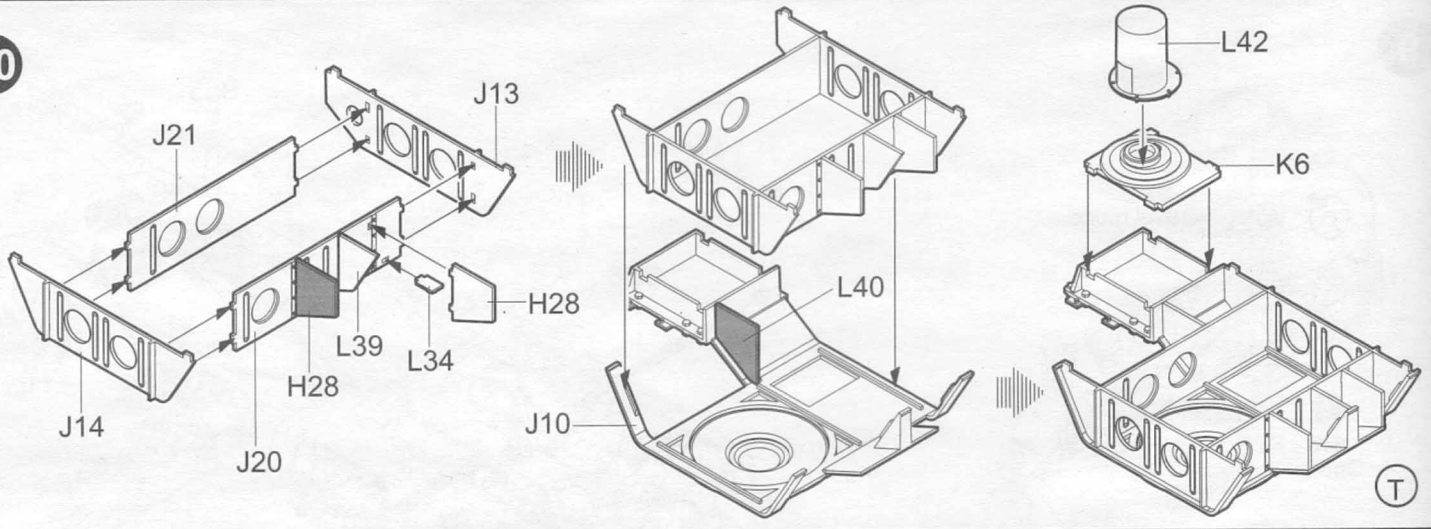
制作2组
Make two

运输状态
Travel mode (S)

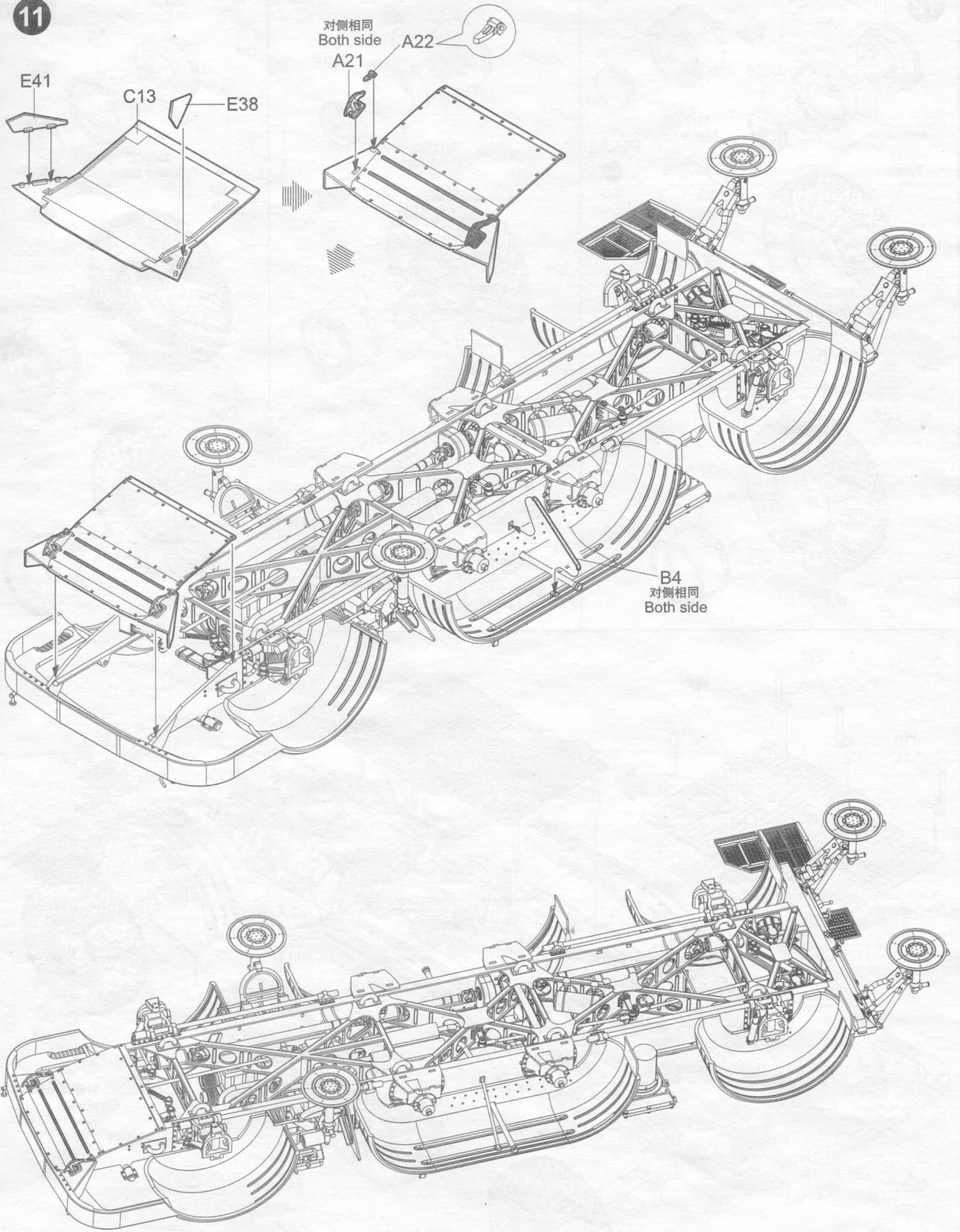


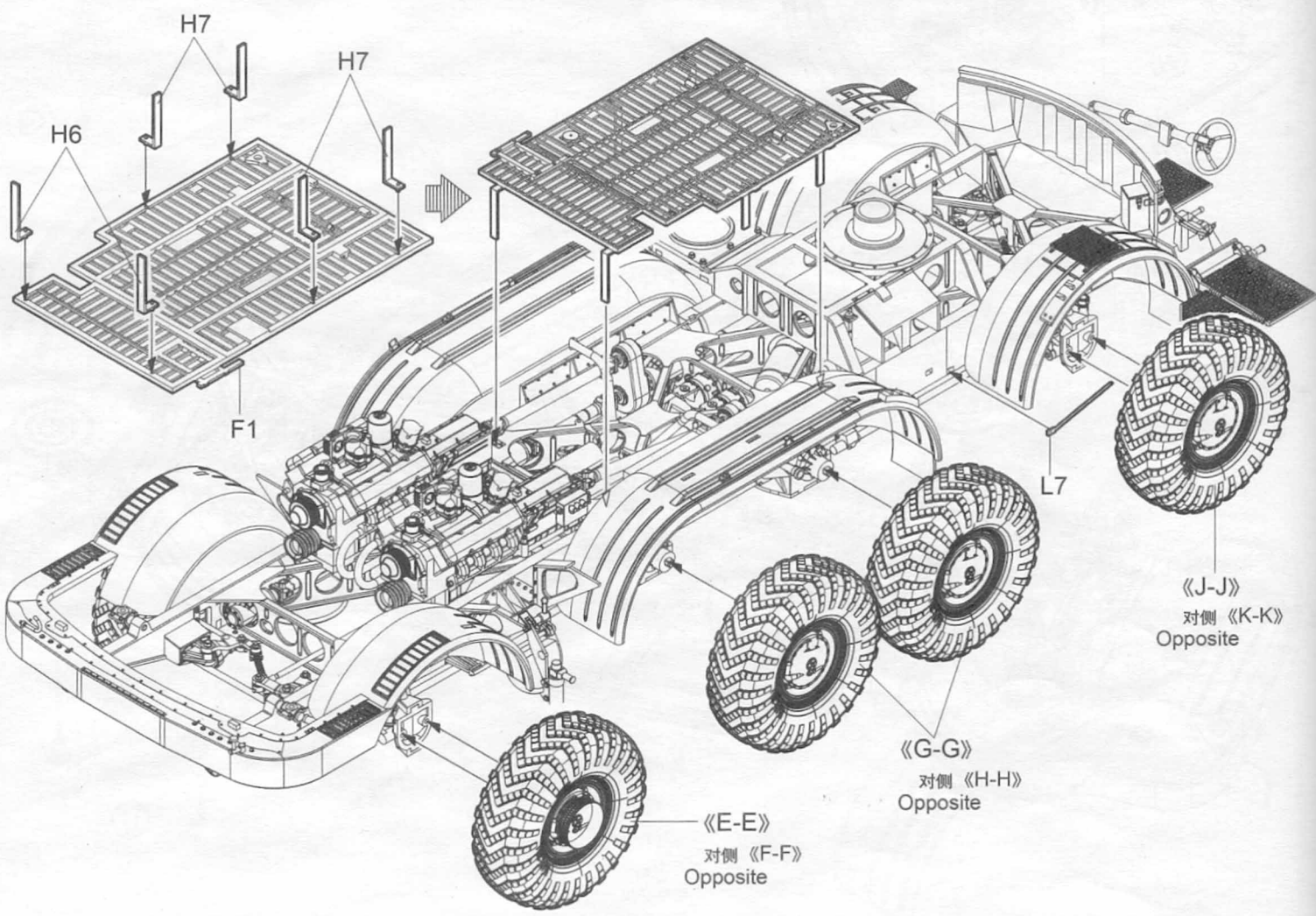
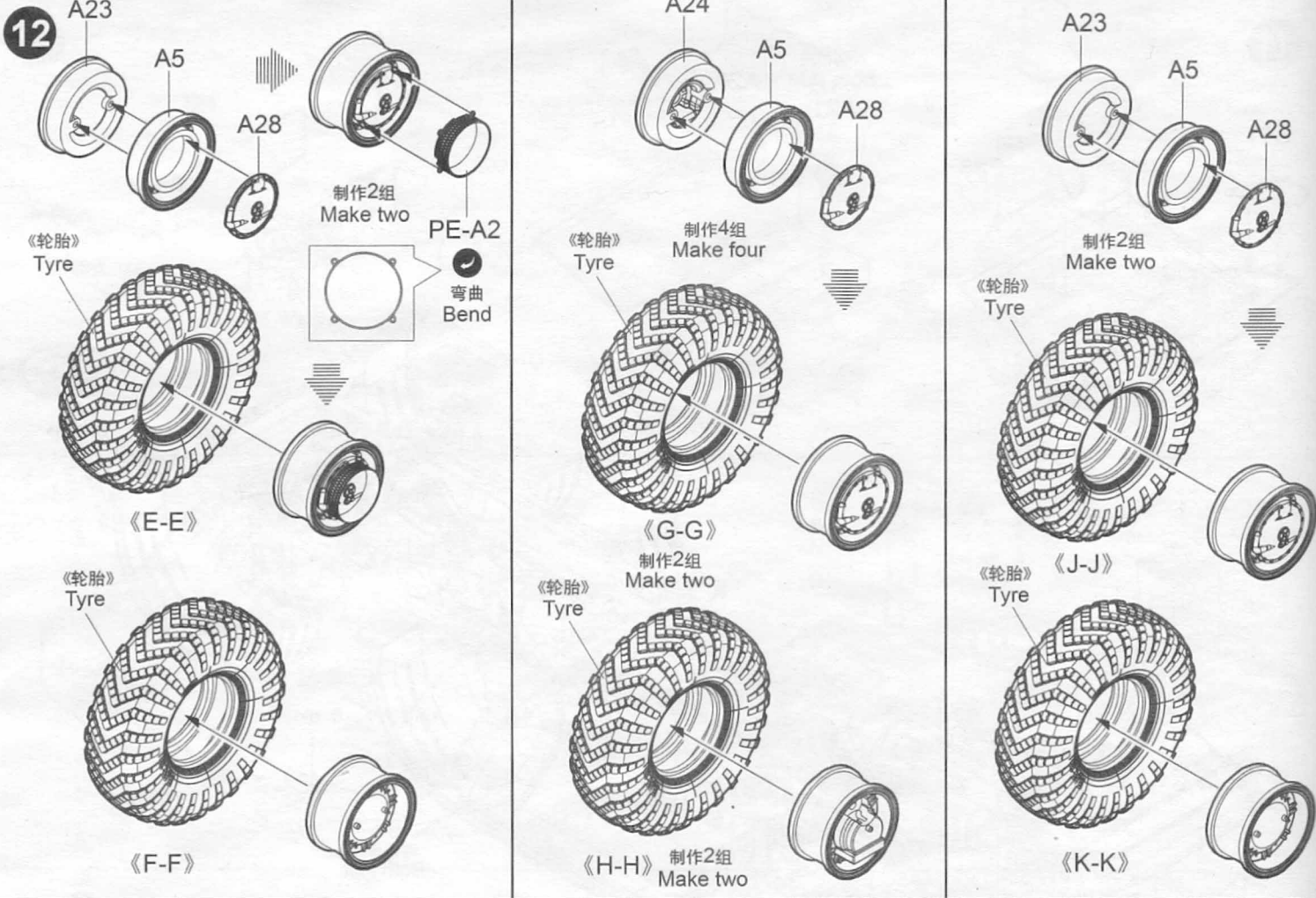
制作2组
Make two

10

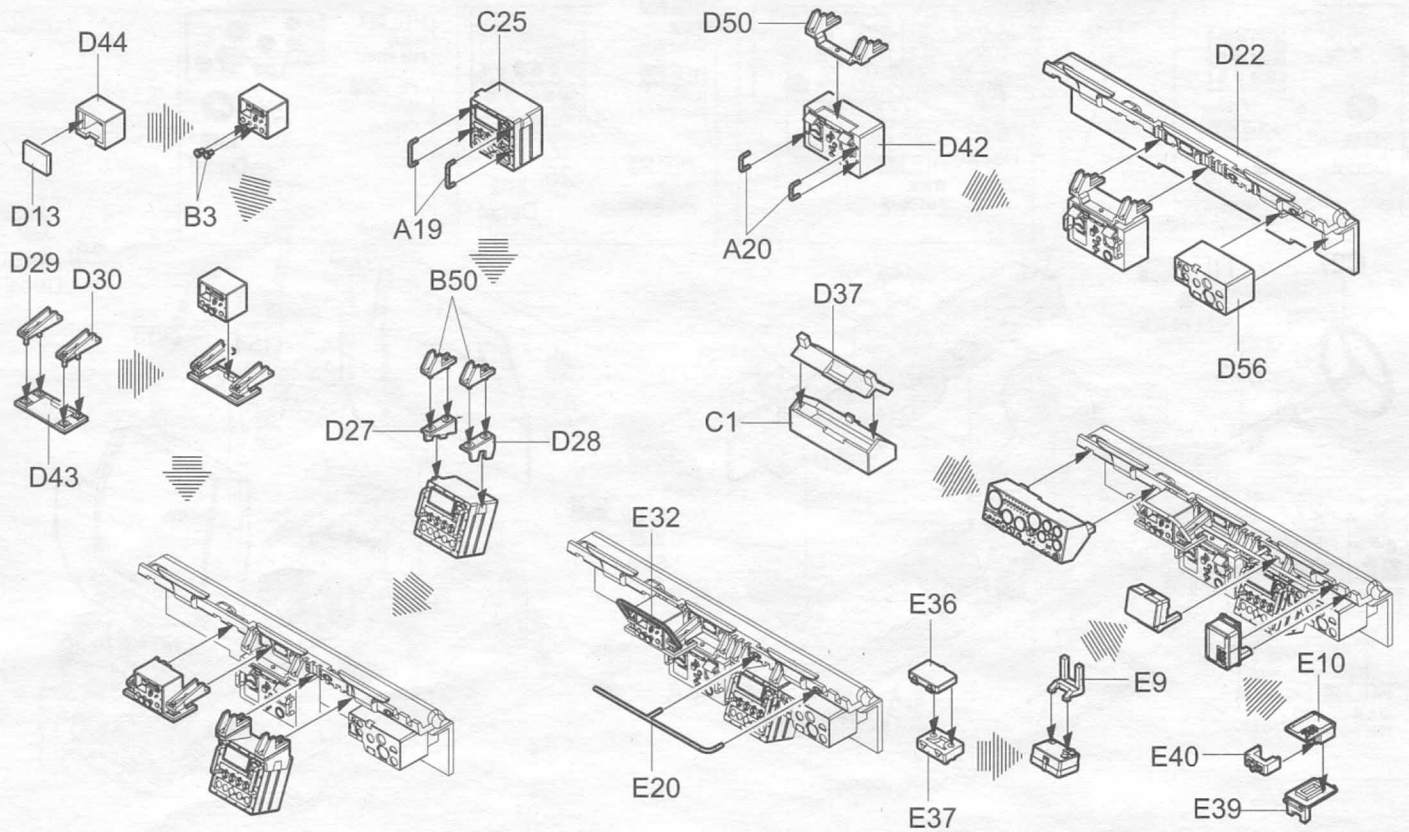
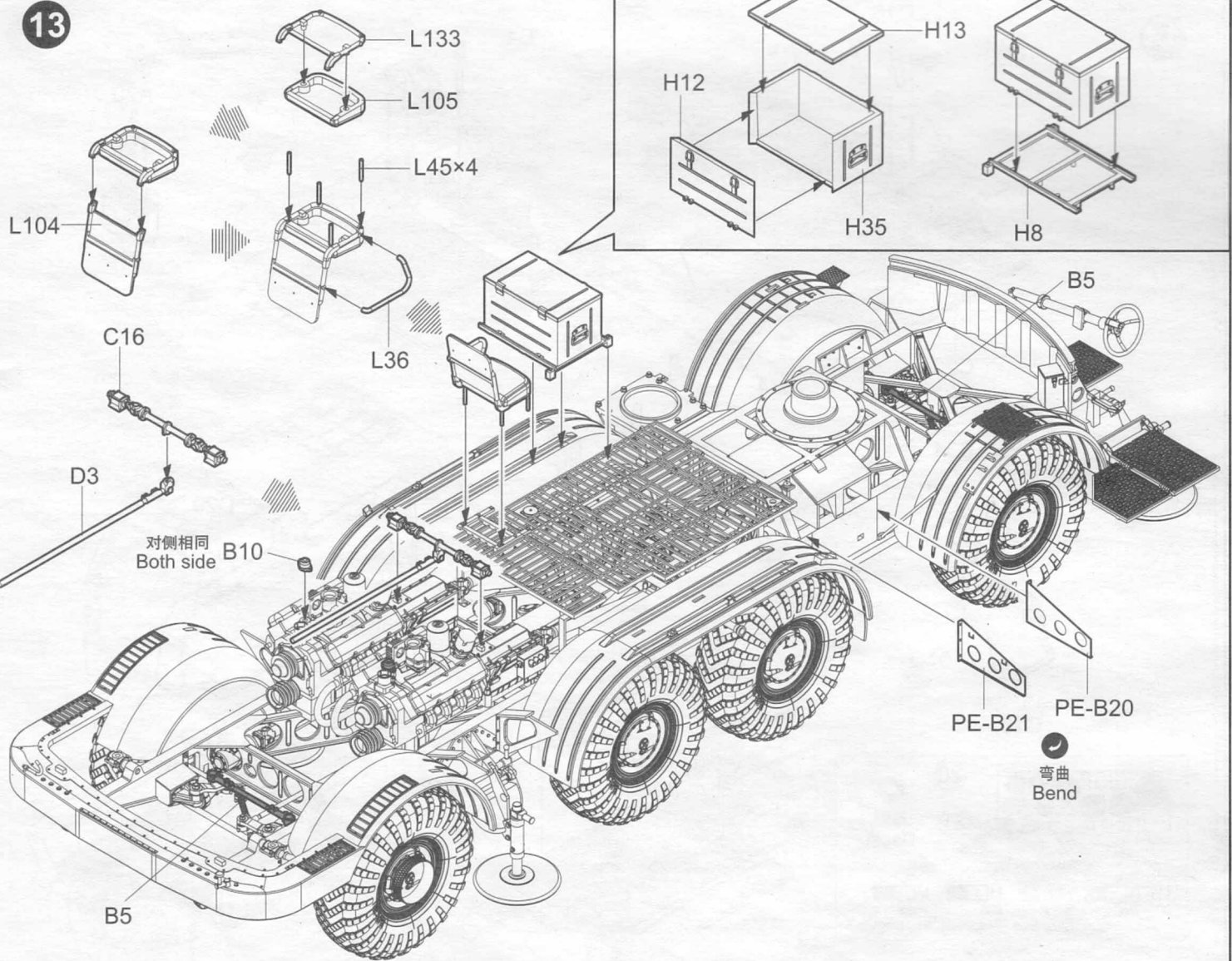


11

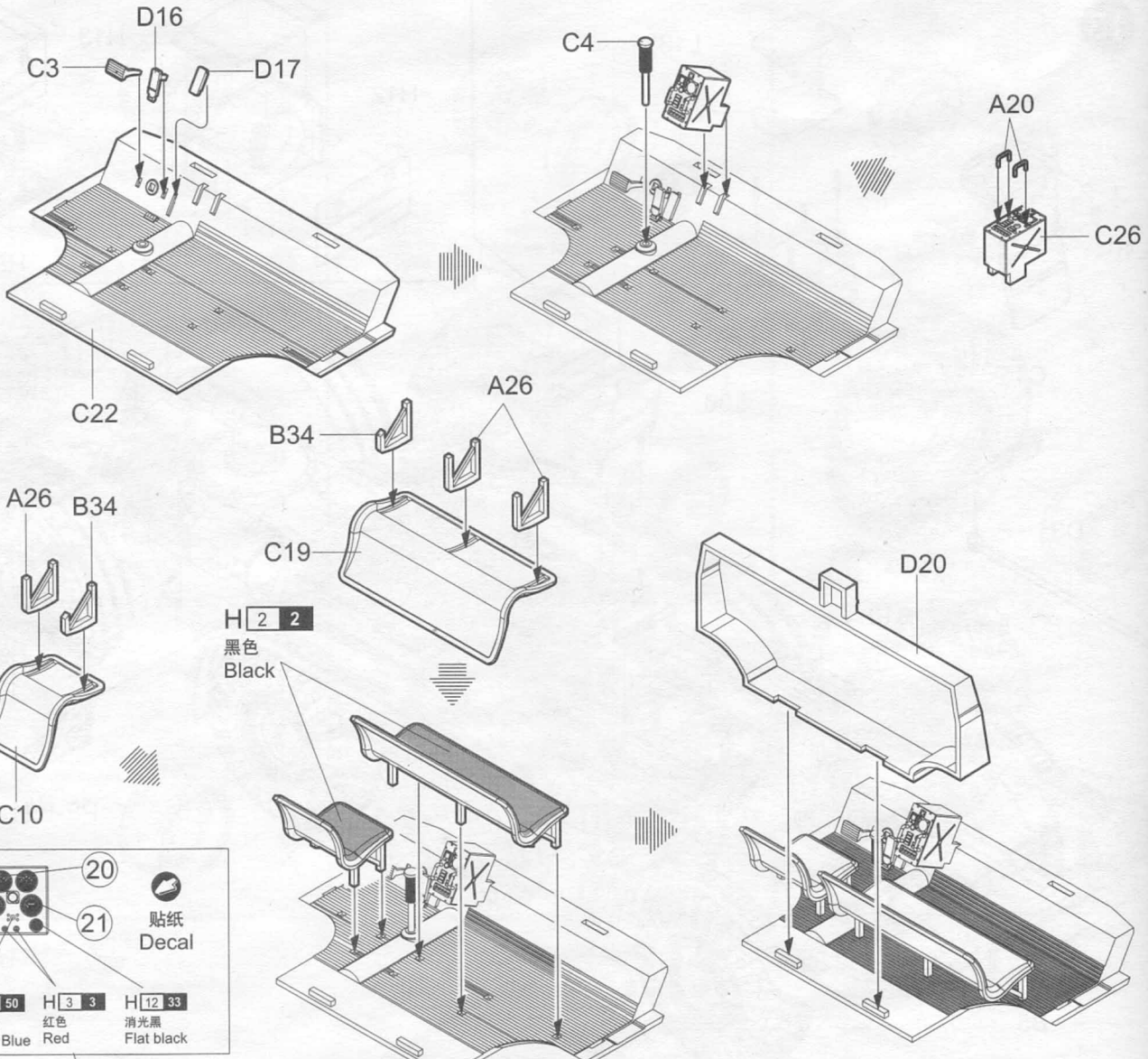




13



14



19 H 10 10 铜色 Copper
 H 93 50 透明蓝 Clear Blue
 H 3 3 红色 Red
 H 12 33 消光黑 Flat black

20 贴纸 Decal
 21 贴纸 Decal

22 贴纸 Decal
 H 12 33 消光黑 Flat black

23 贴纸 Decal
 H 12 33 消光黑 Flat black

24 贴纸 Decal
 H 12 33 消光黑 Flat black

H 93 50 透明蓝 Clear Blue
 H 11 62 消光白 Flat White
 H 12 33 消光黑 Flat black

25 贴纸 Decal

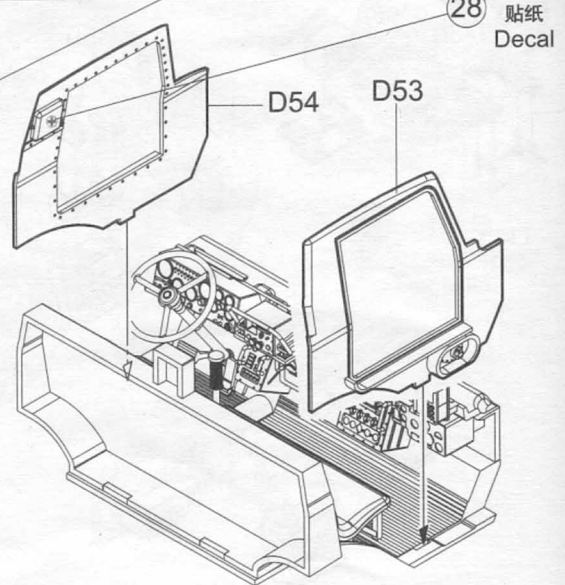
H 11 62 消光白 Flat White
 H 10 10 铜色 Copper

26 贴纸 Decal

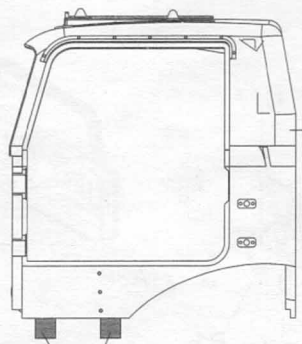
C27 方向盘 Steering wheel
 E23 换挡杆 Gear shifter
 H 12 33 消光黑 Flat black

27 贴纸 Decal
 H 12 33 消光黑 Flat black

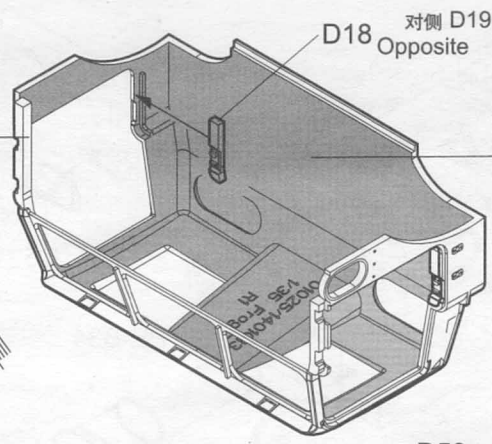
H 8 8 银色 Silver



15



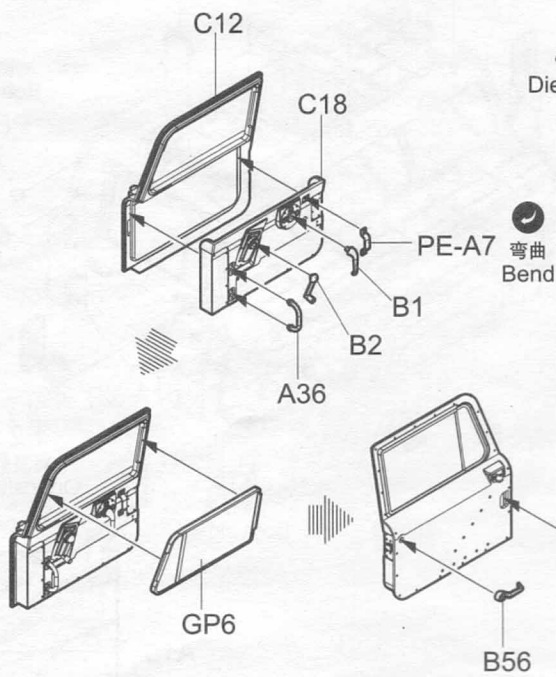
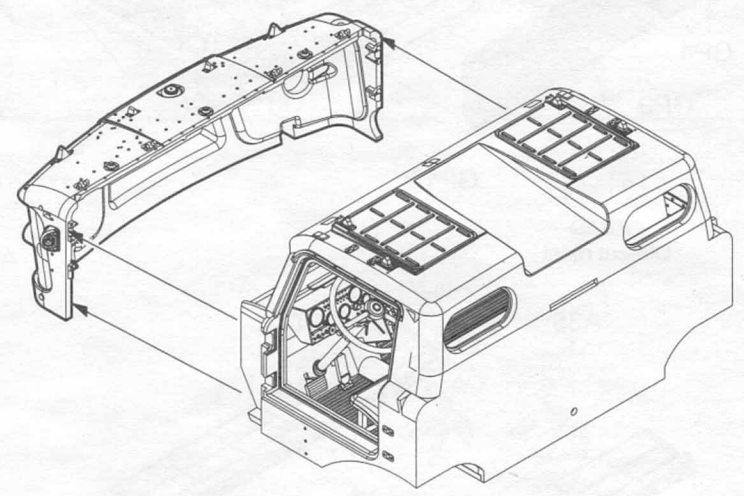
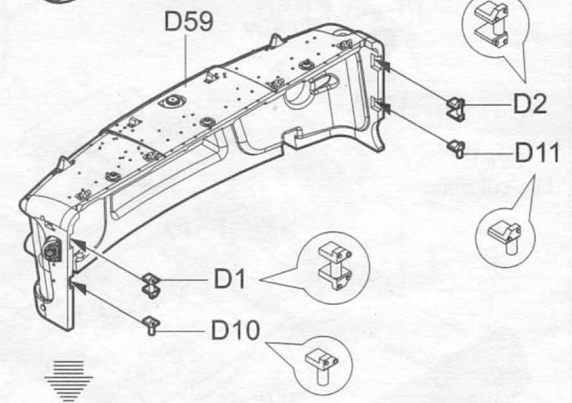
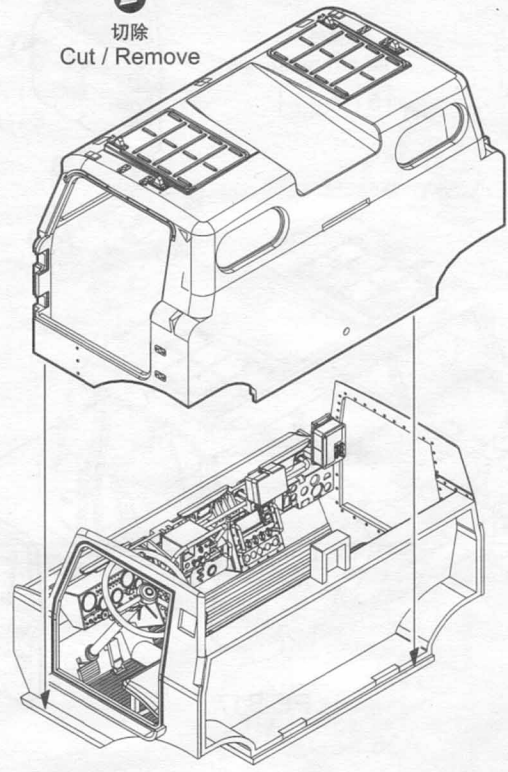
R1 R1



D18 对侧 D19 Opposite

H 303 303
绿色
Dark Green

切除
Cut / Remove



《遮盖纸》
Die-cut mast
4

4

弯曲
Bend



GP8

GP8

A34

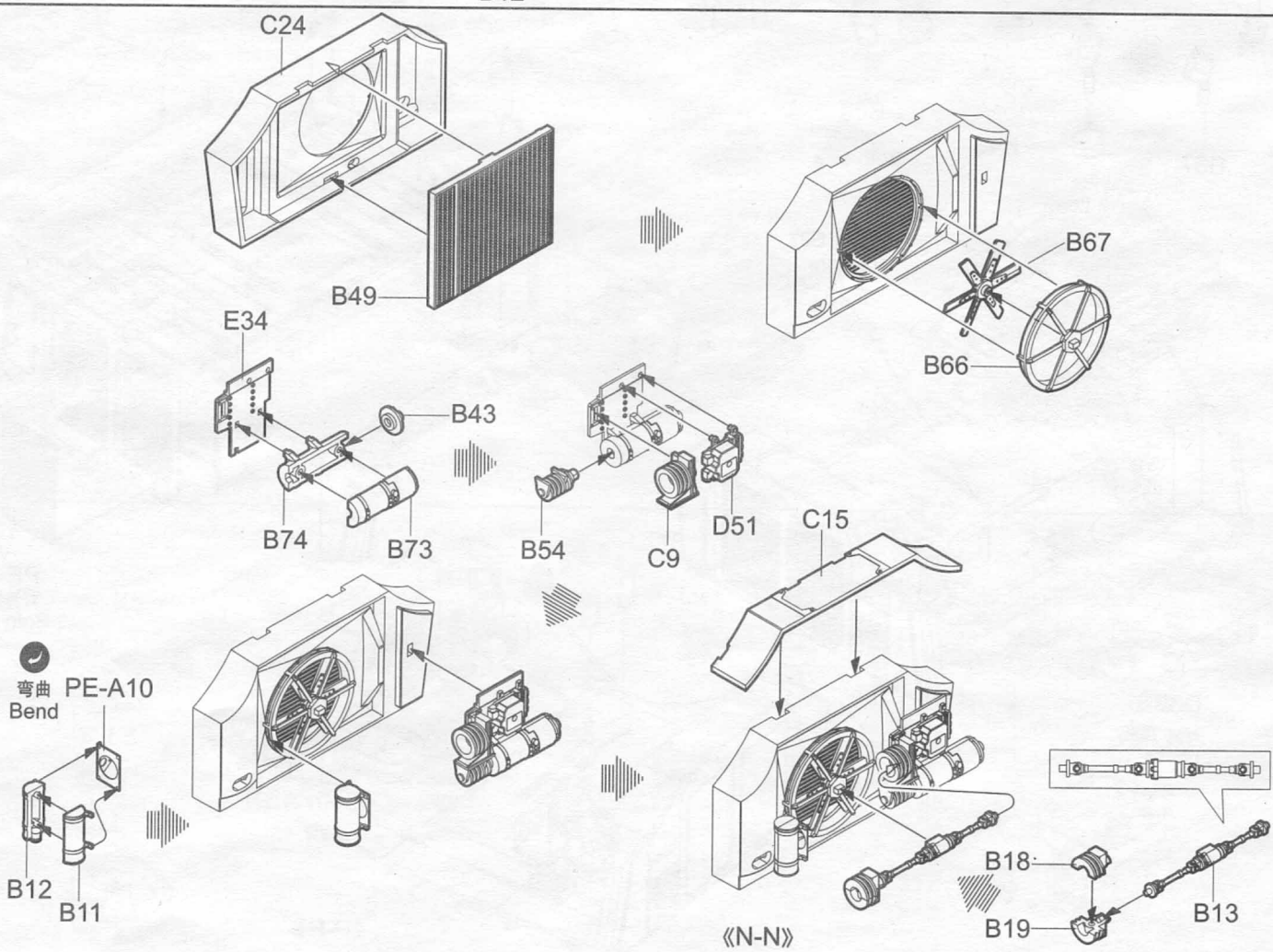
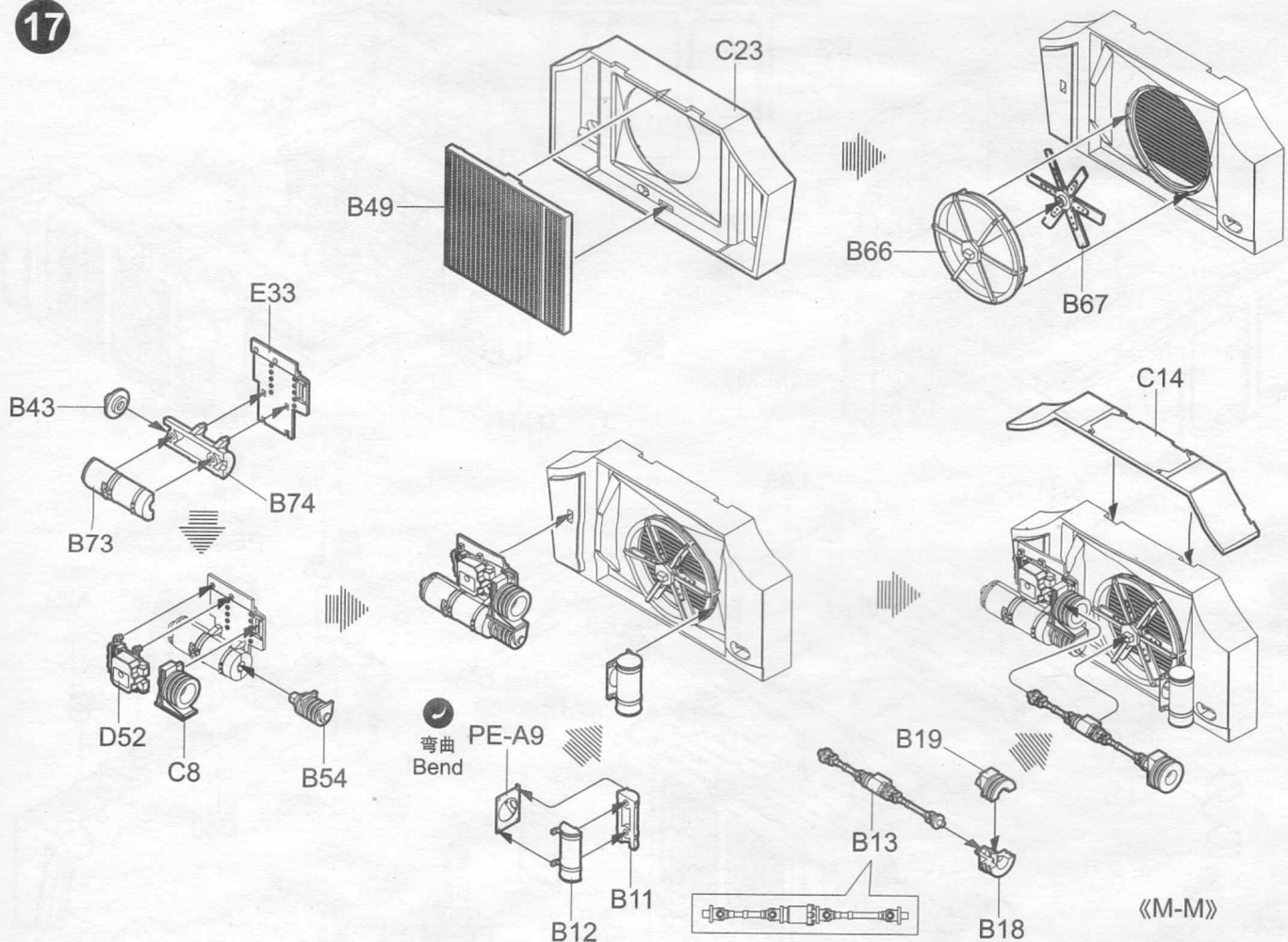
《遮盖纸》
Die-cut mast
4

4

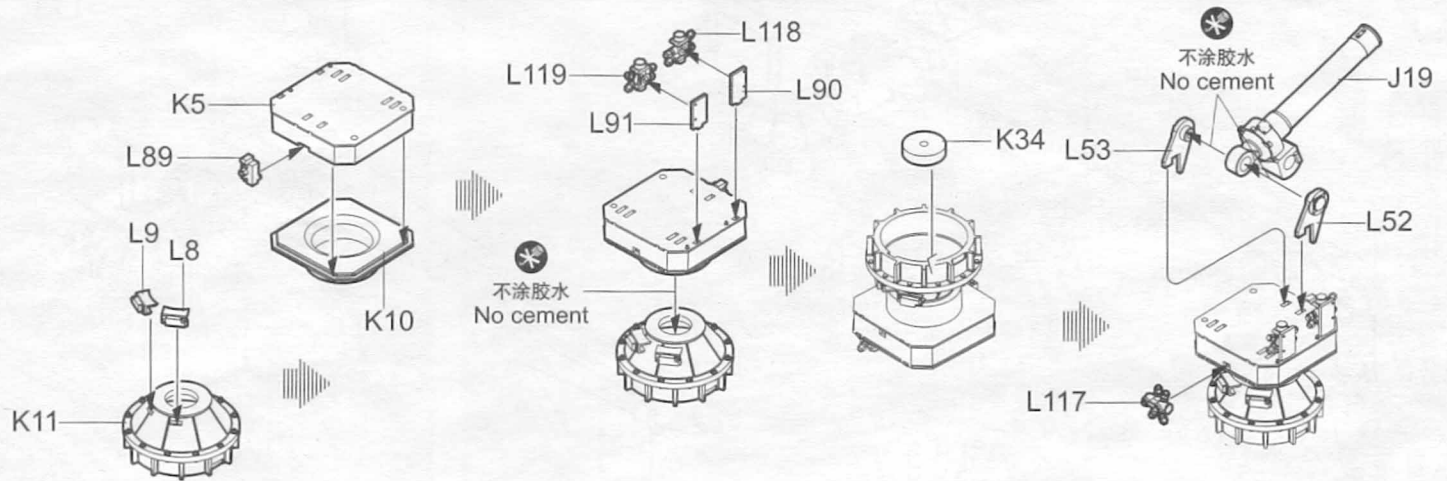
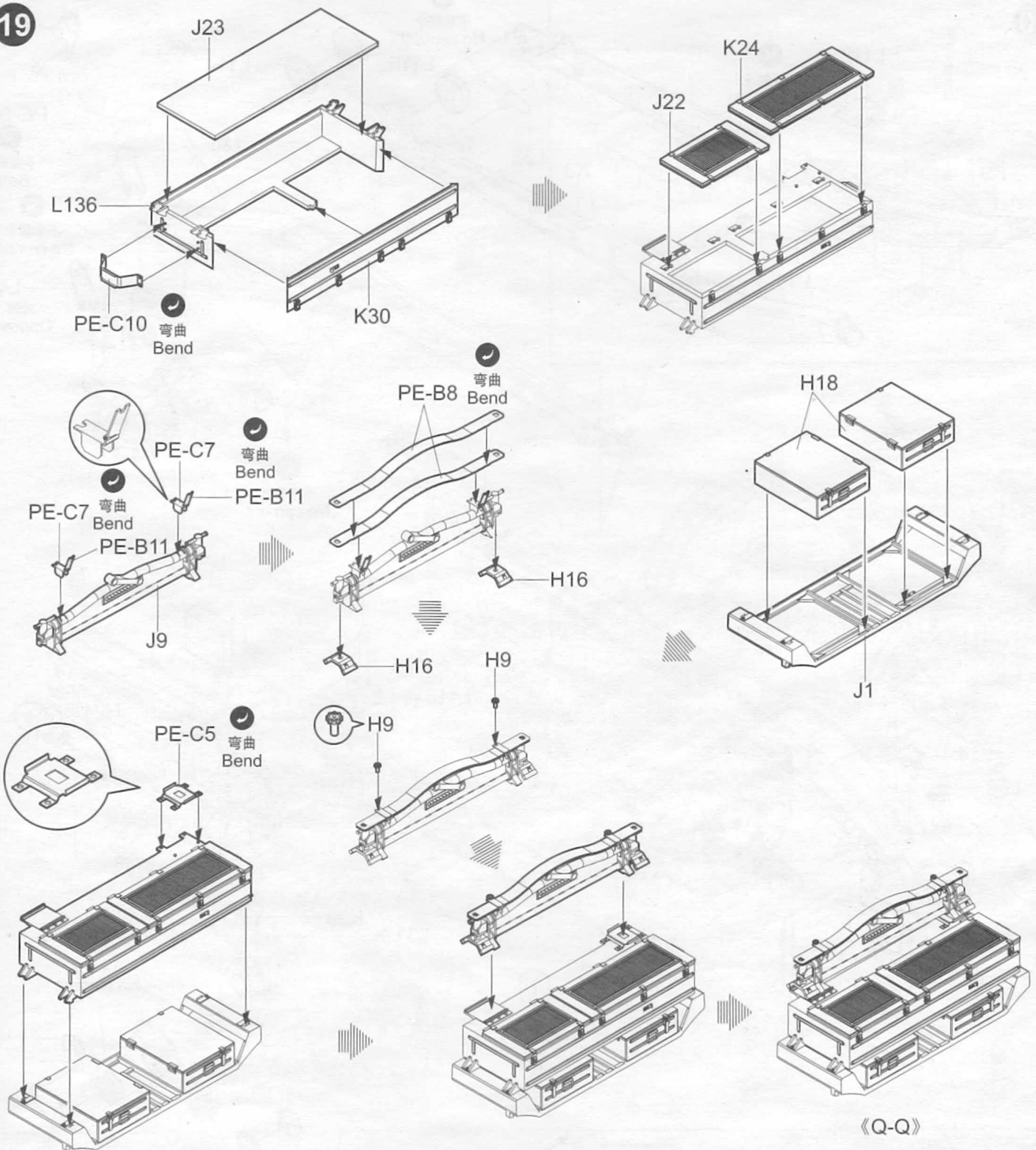
《遮盖纸》
Die-cut mast
7 + 6

7

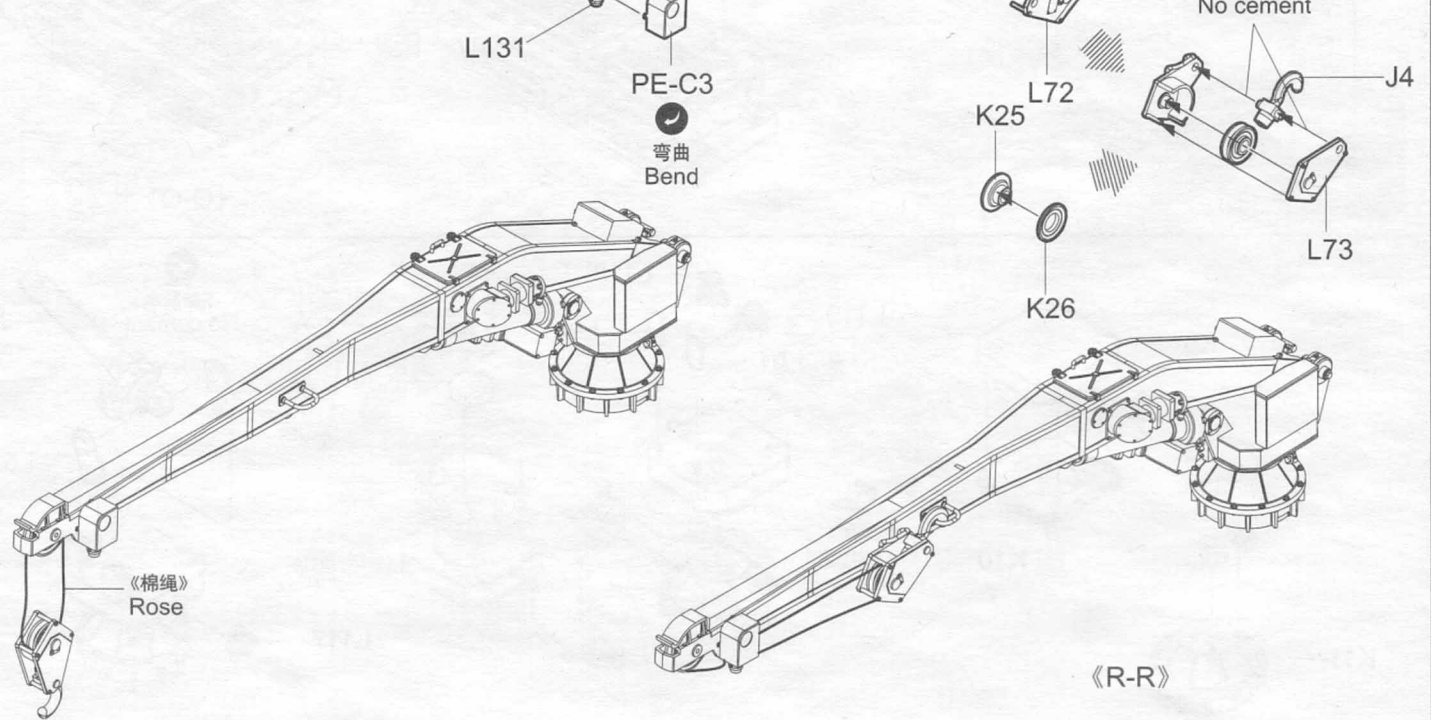
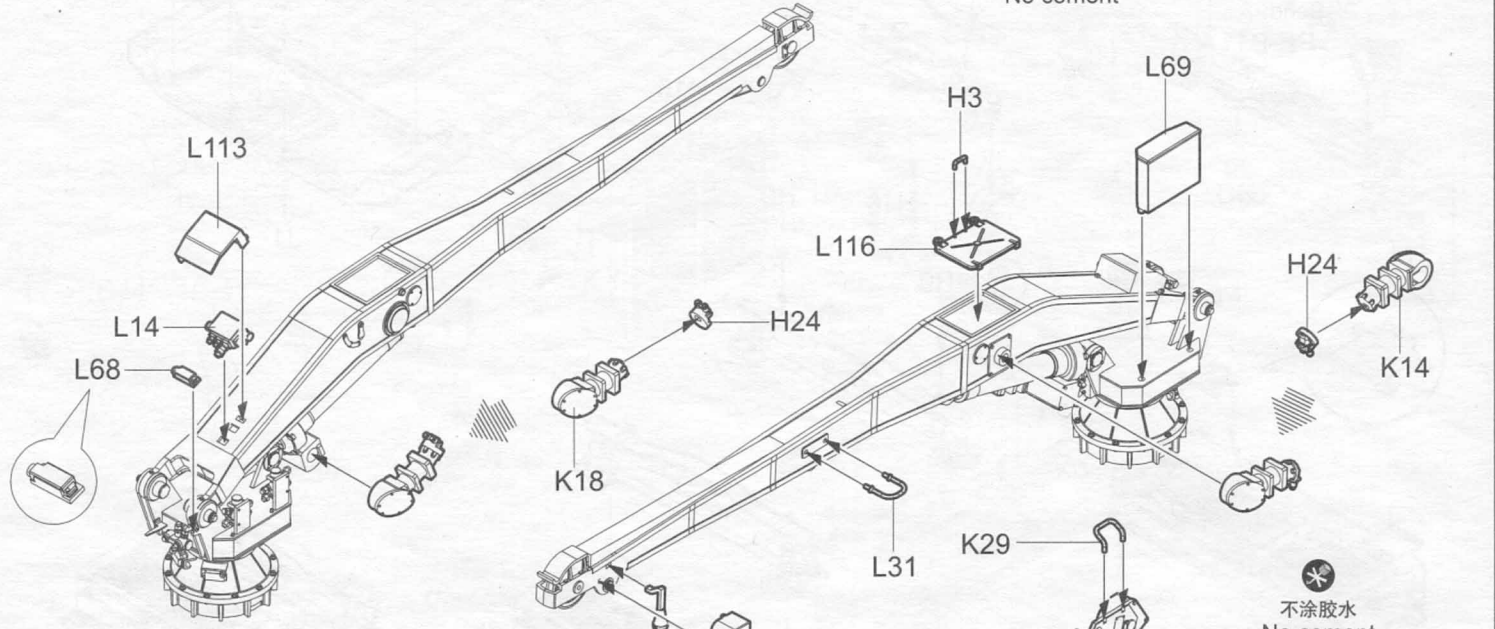
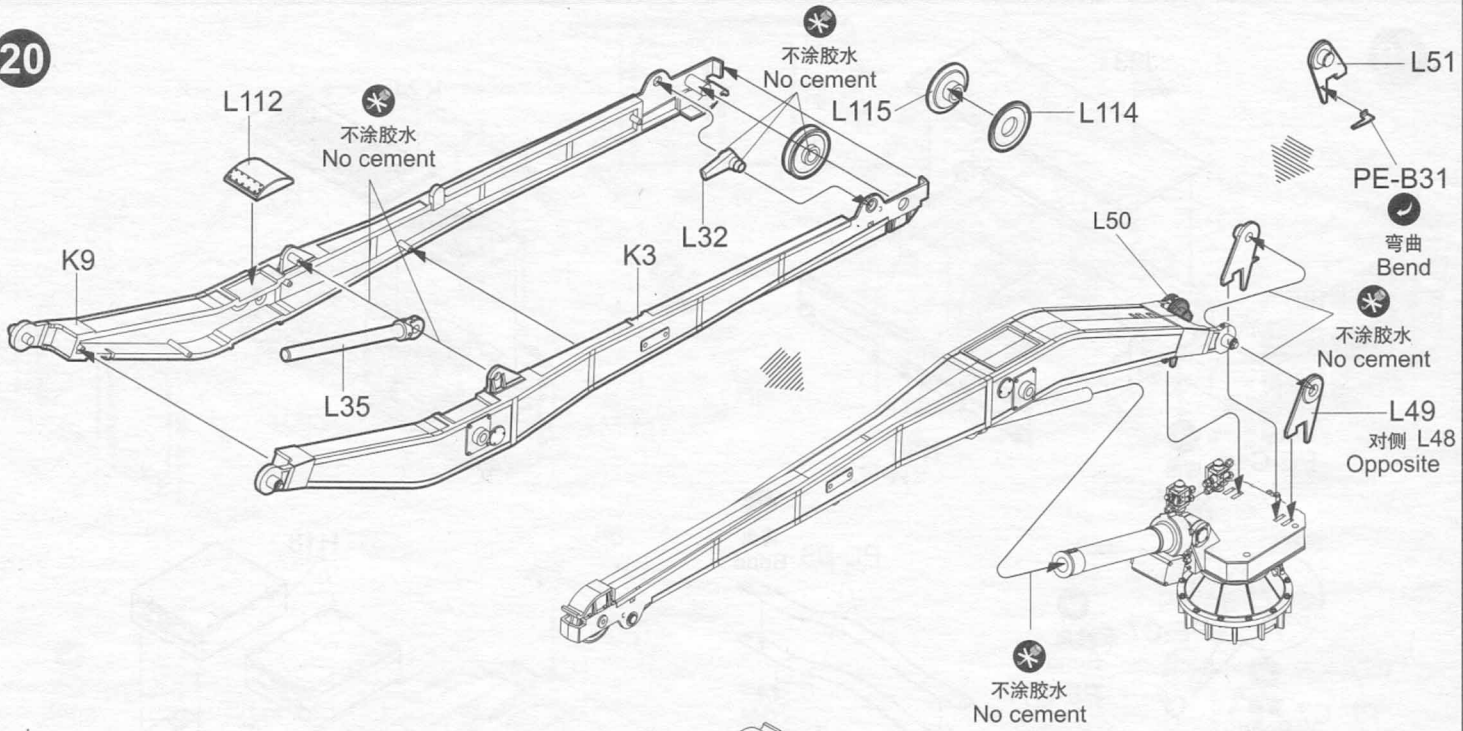
6



19

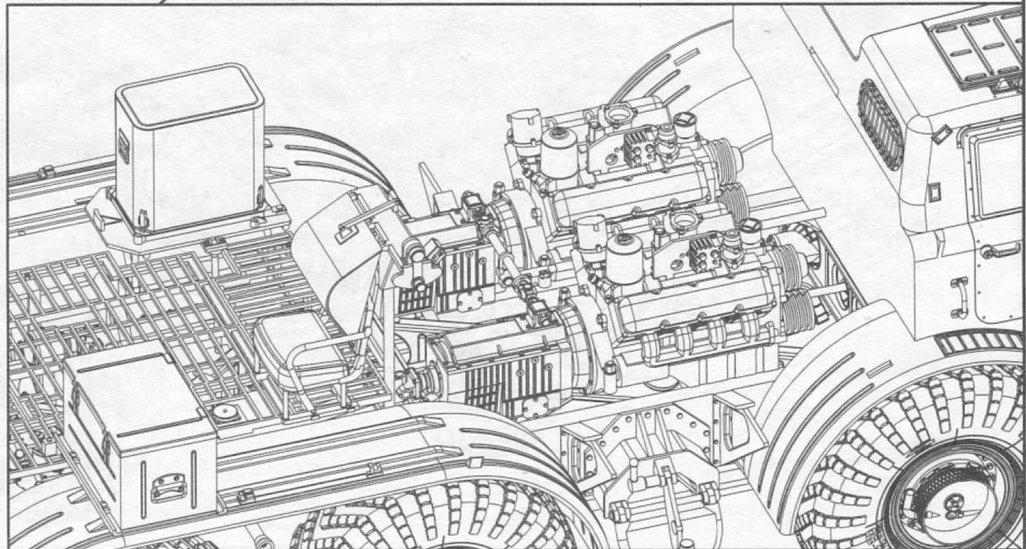
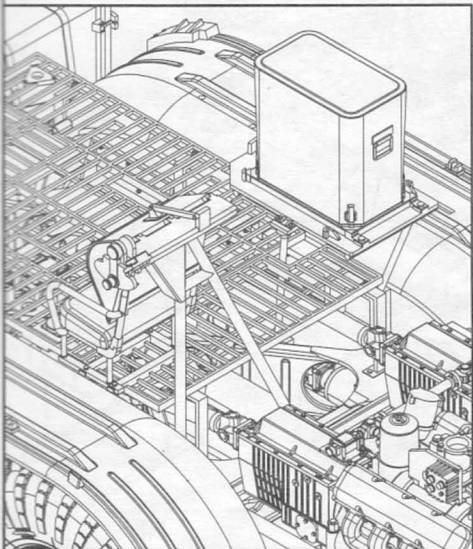
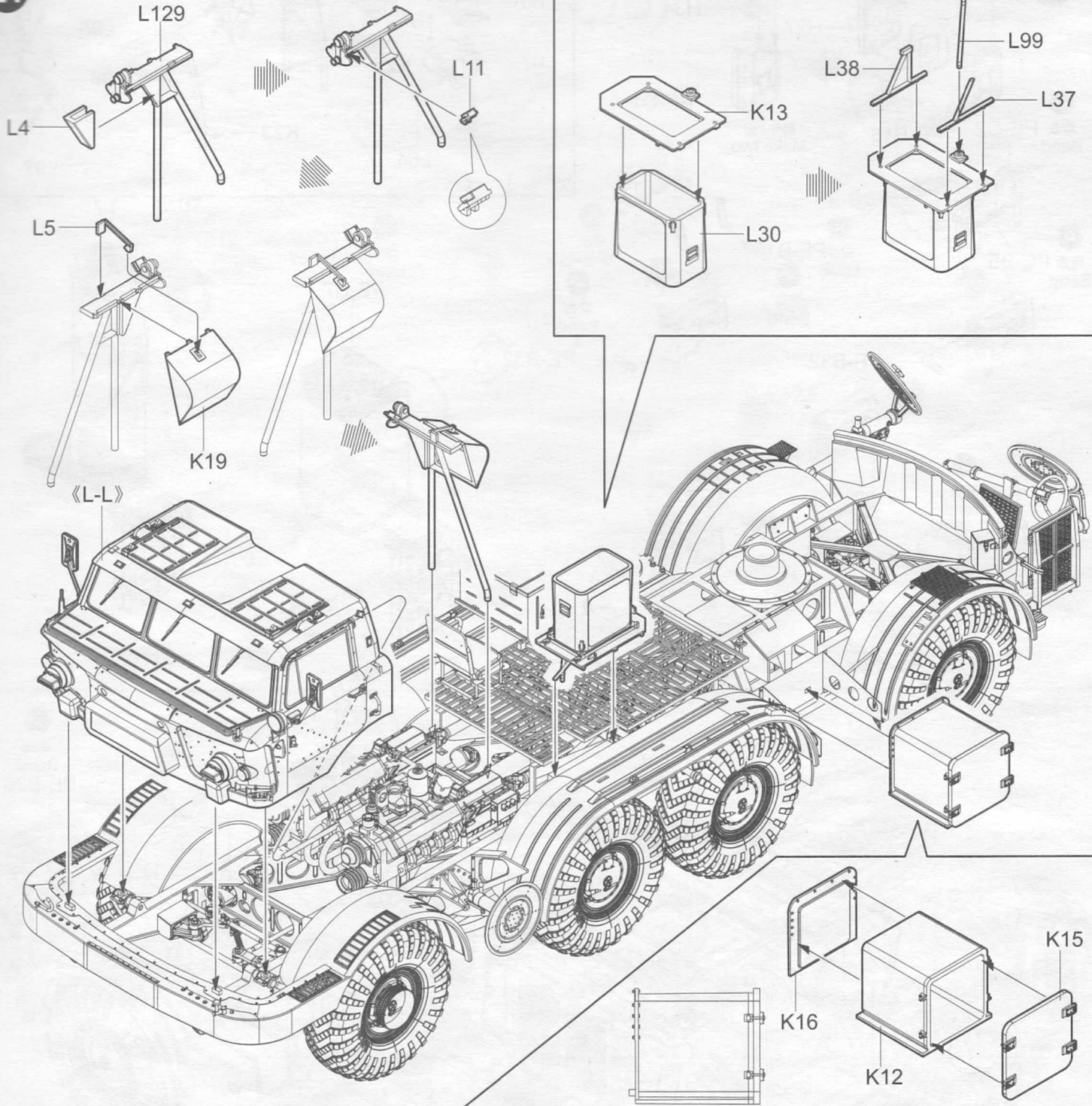


20



《R-R》

21



22

H26

H4

H34

H27

PE-C1

L80

L67

L64

L98

L96

L97

K23

PE-B7

PE-B15

PE-B5

弯曲 Bend

弯曲 Bend

PE-B32

PE-B32

弯曲 Bend

PE-C12

K17

《P-P》

弯曲 Bend

PE-B26

PE-B27 弯曲 Bend

H12

H13

H35

H8

弯曲 Bend

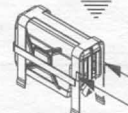


PE-B18

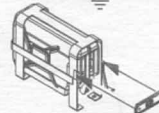
制作2组
Make two

制作2组
Make two

弯曲 Bend

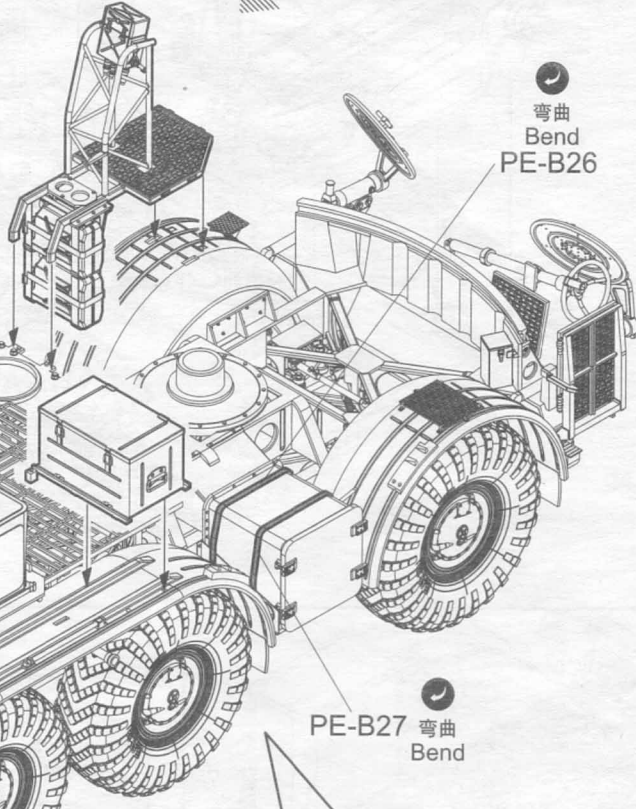
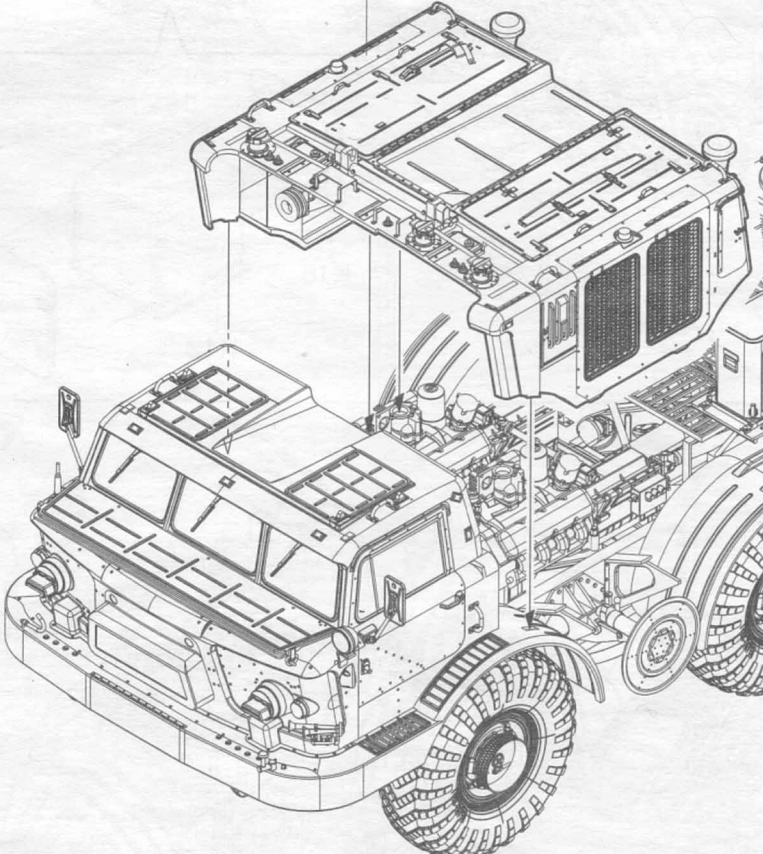
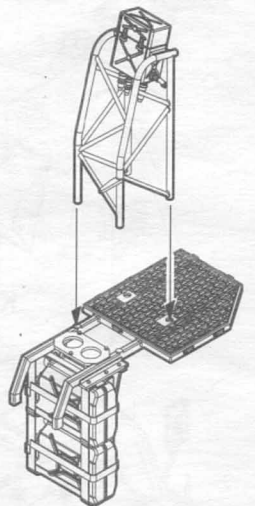
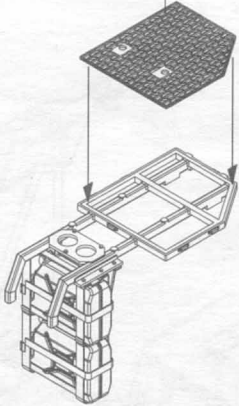
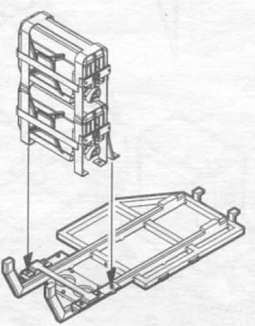
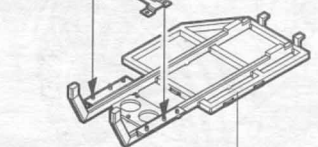
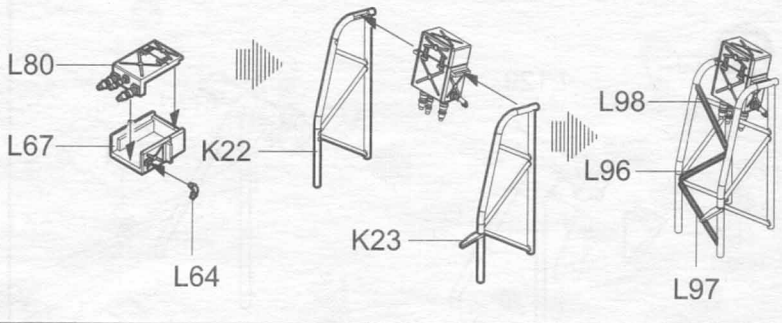
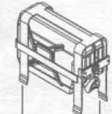


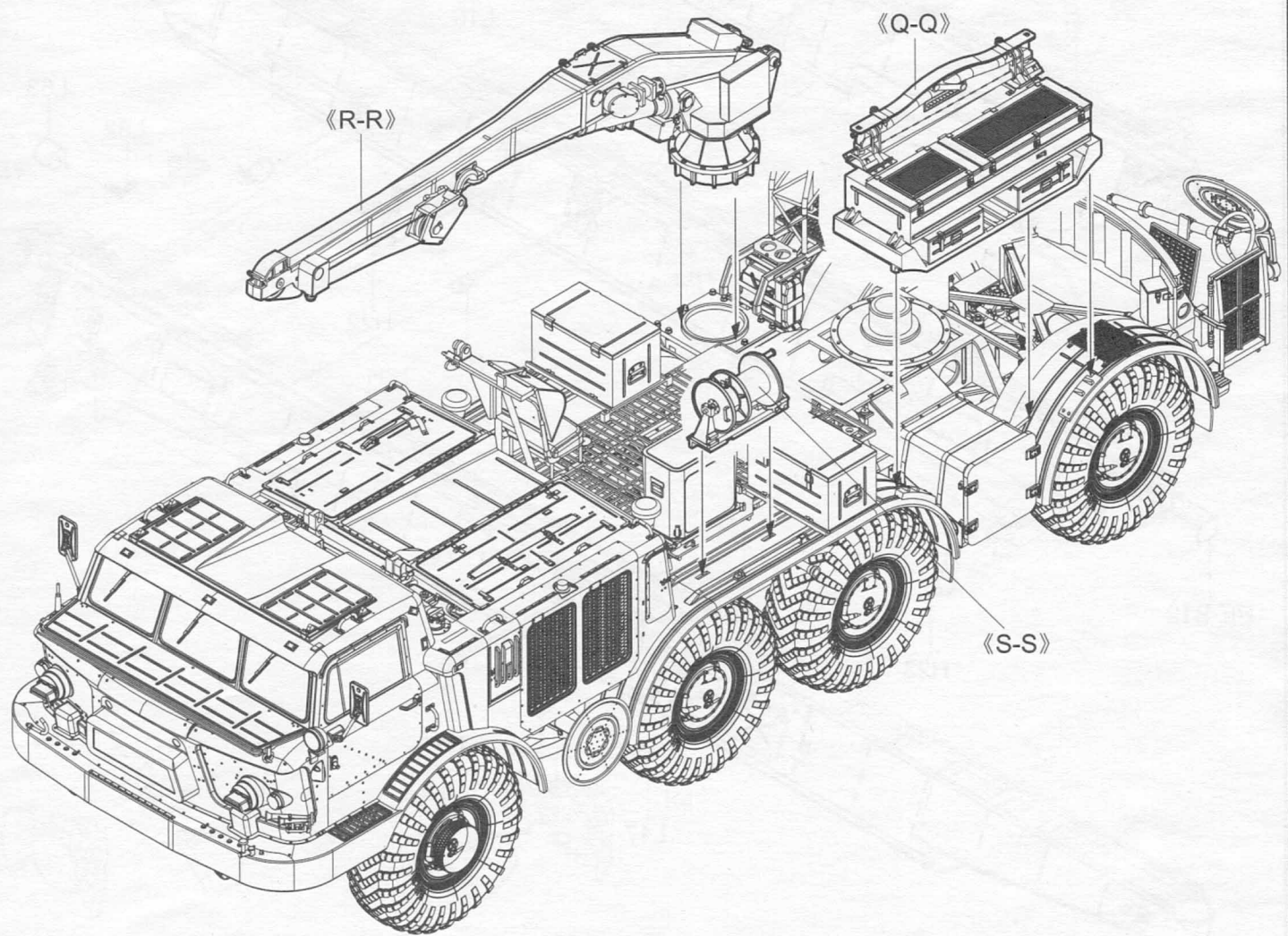
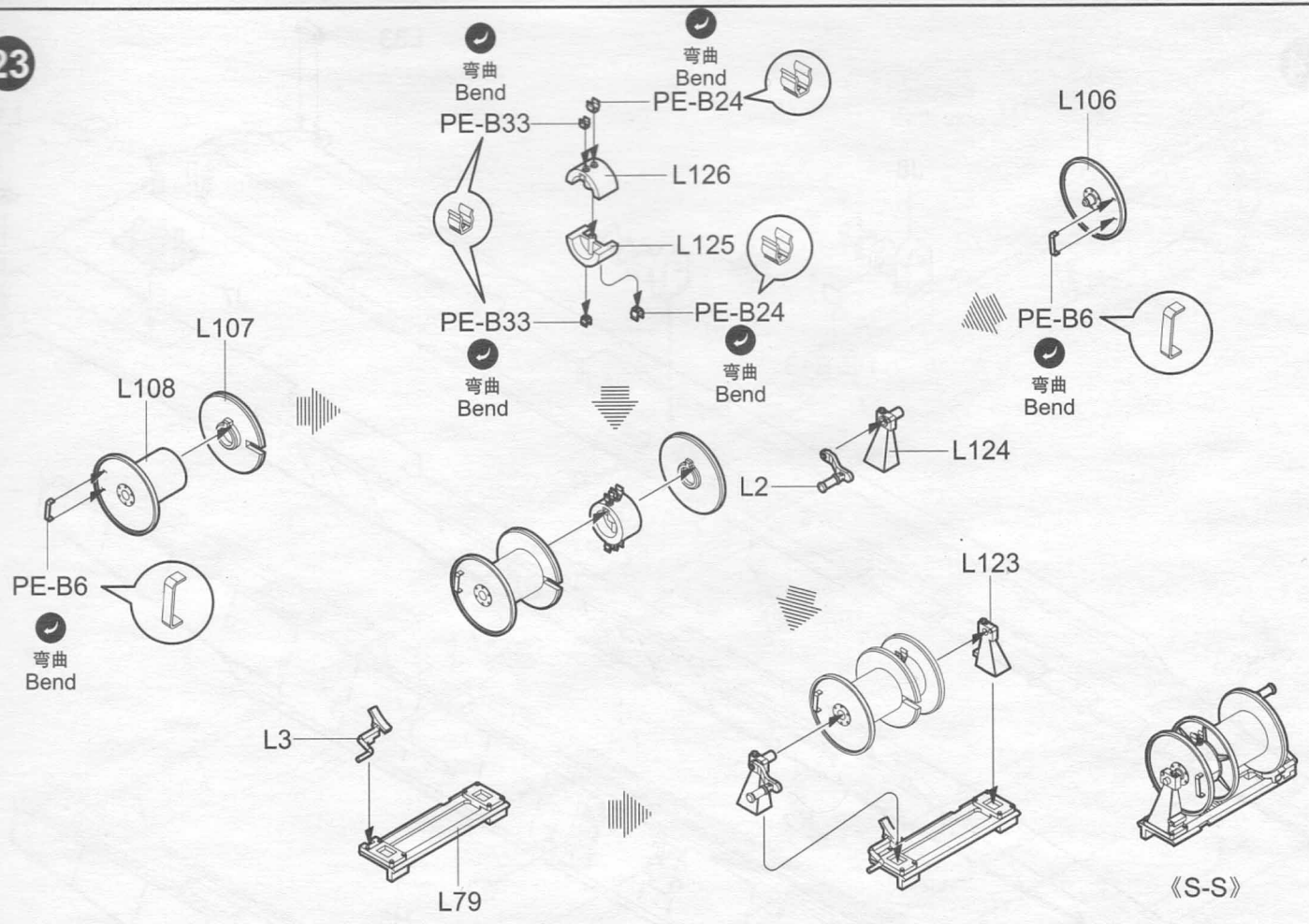
弯曲 Bend

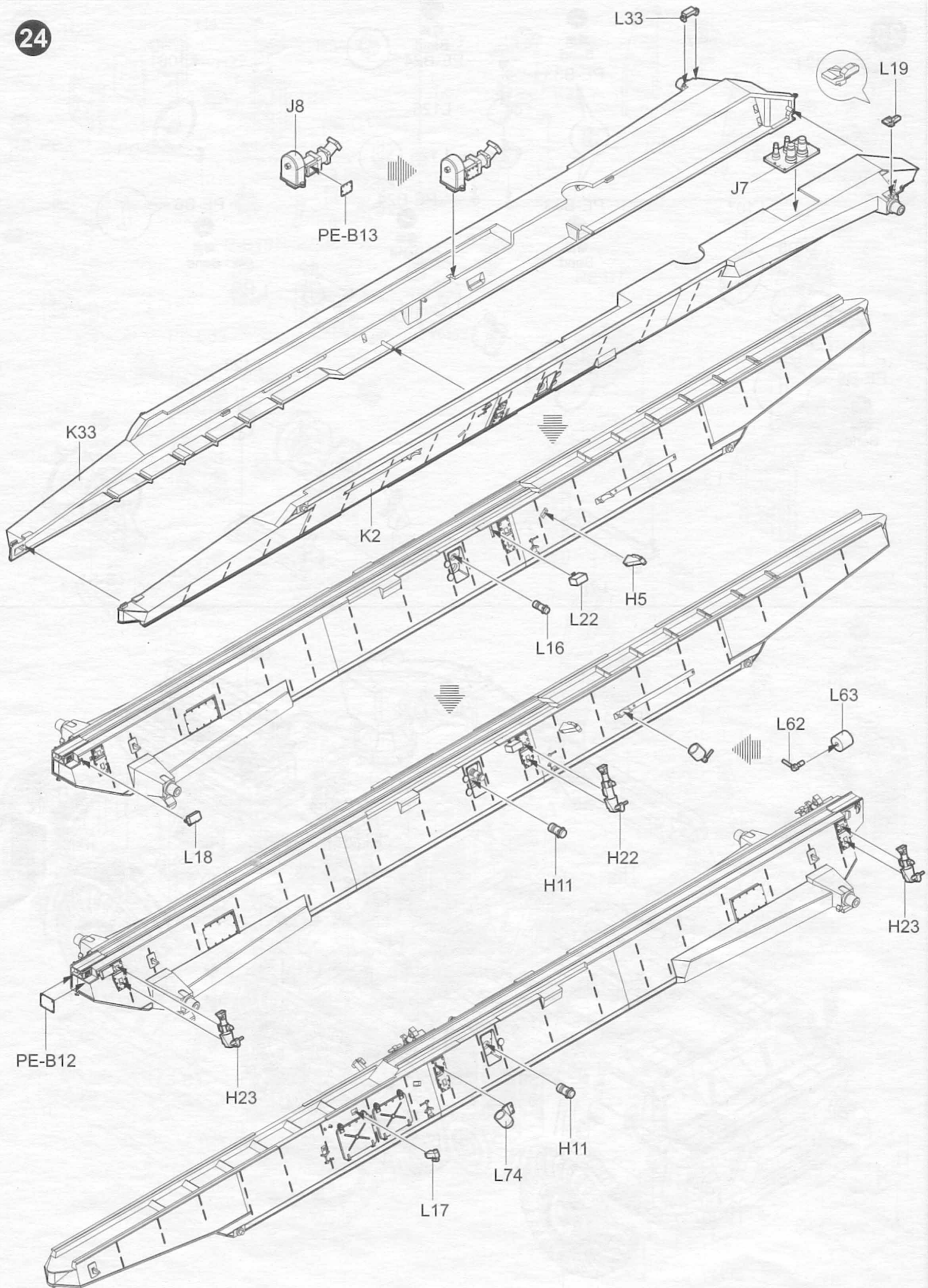


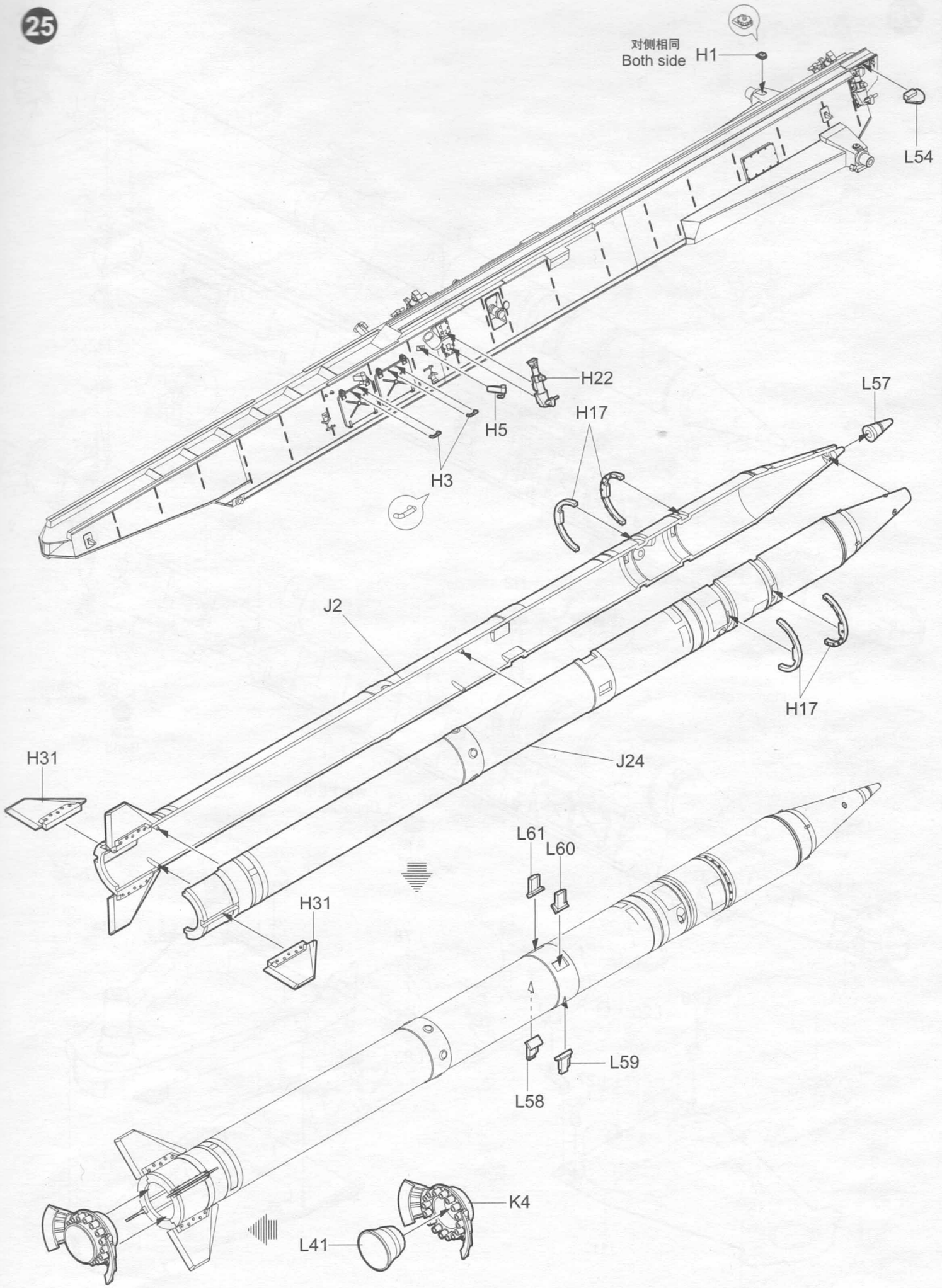
弯曲 Bend

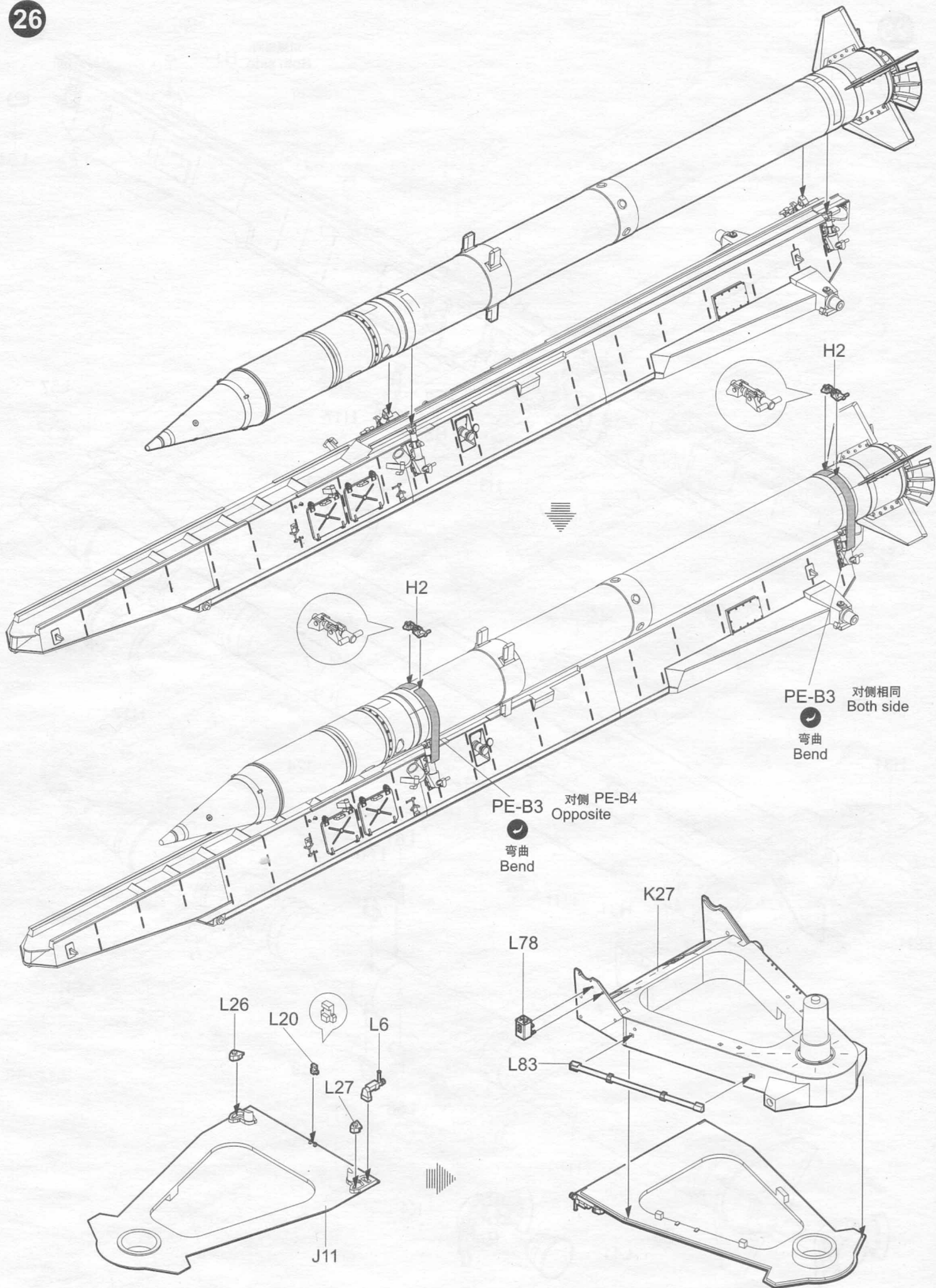
弯曲 Bend



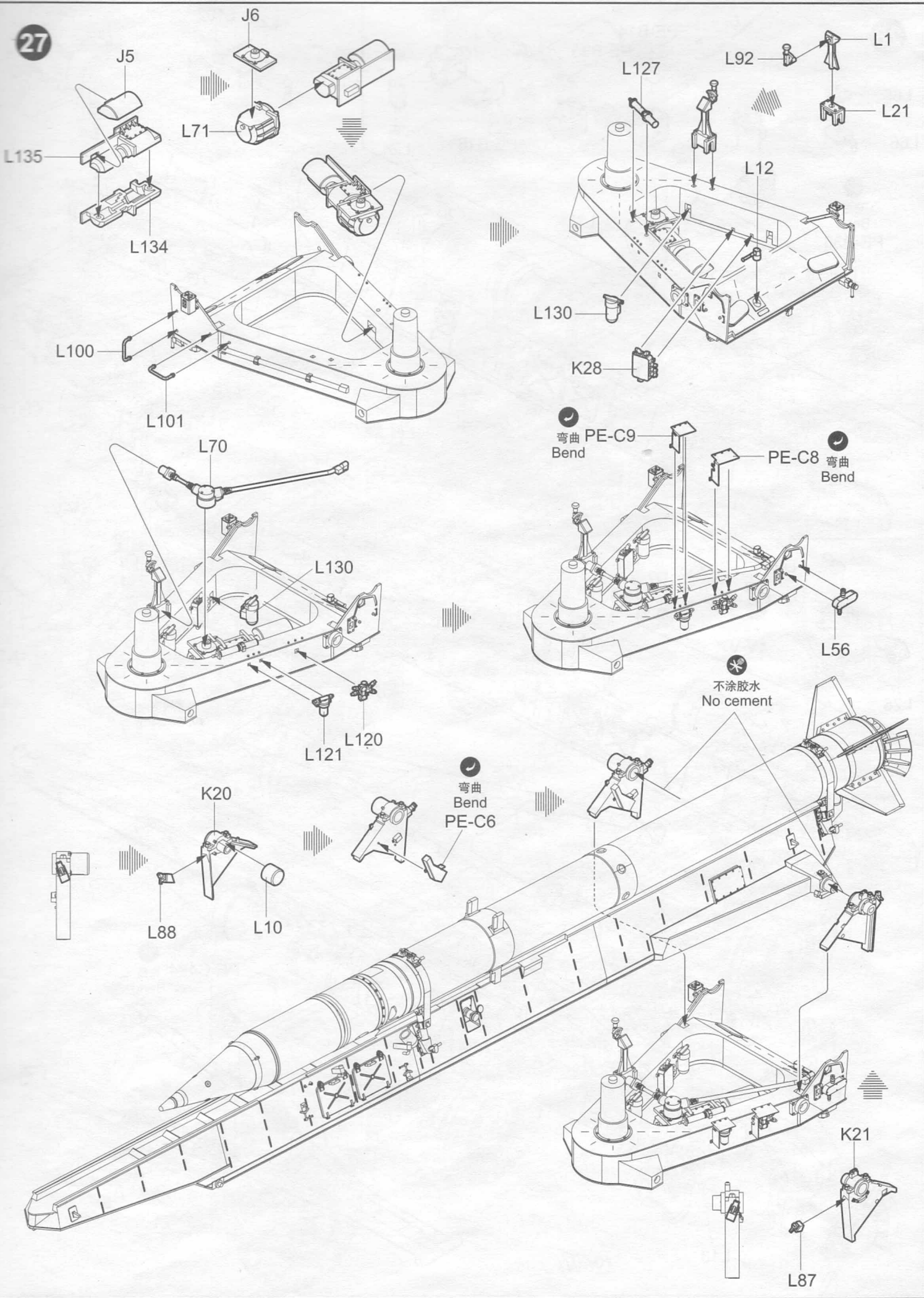




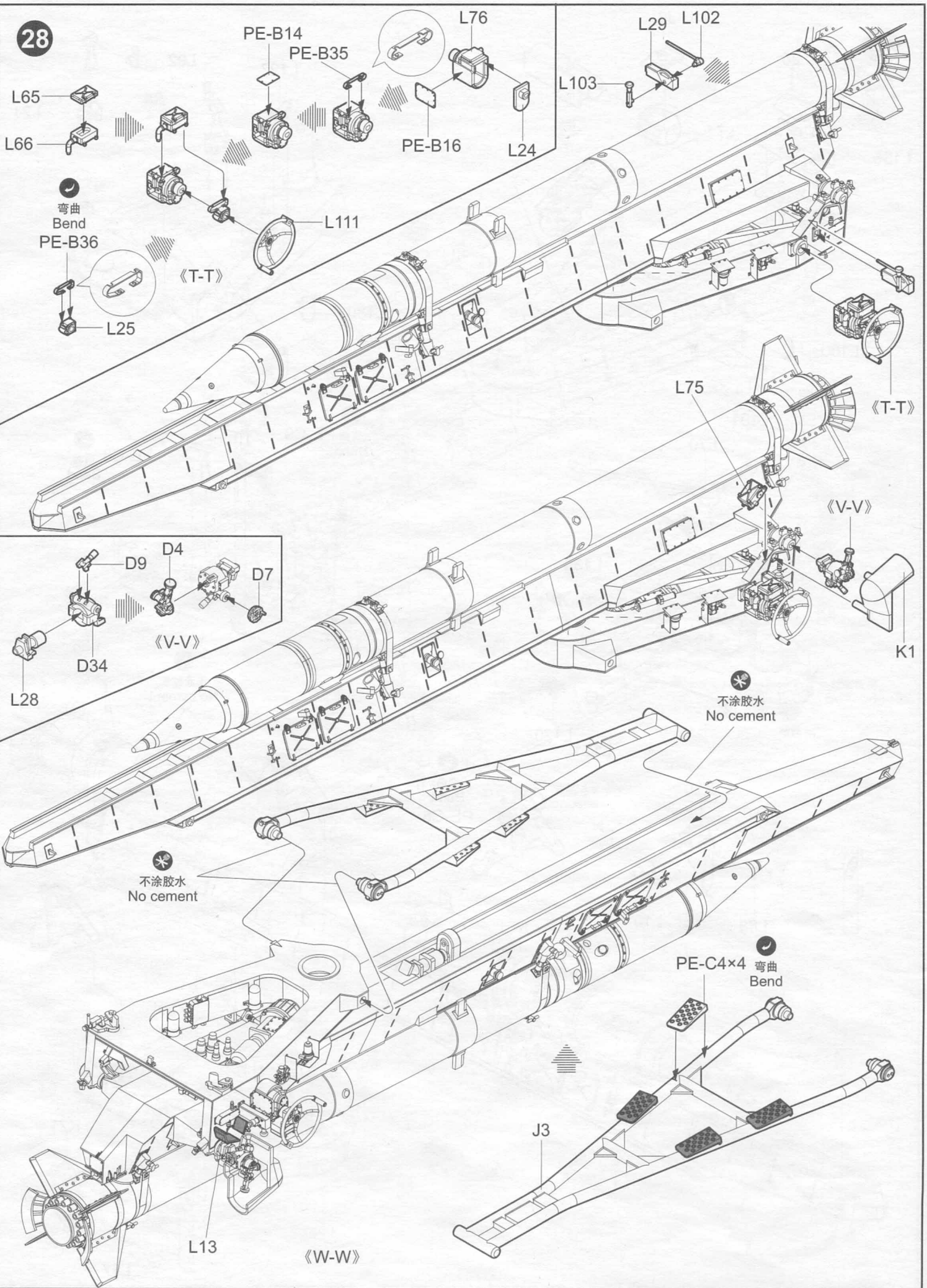




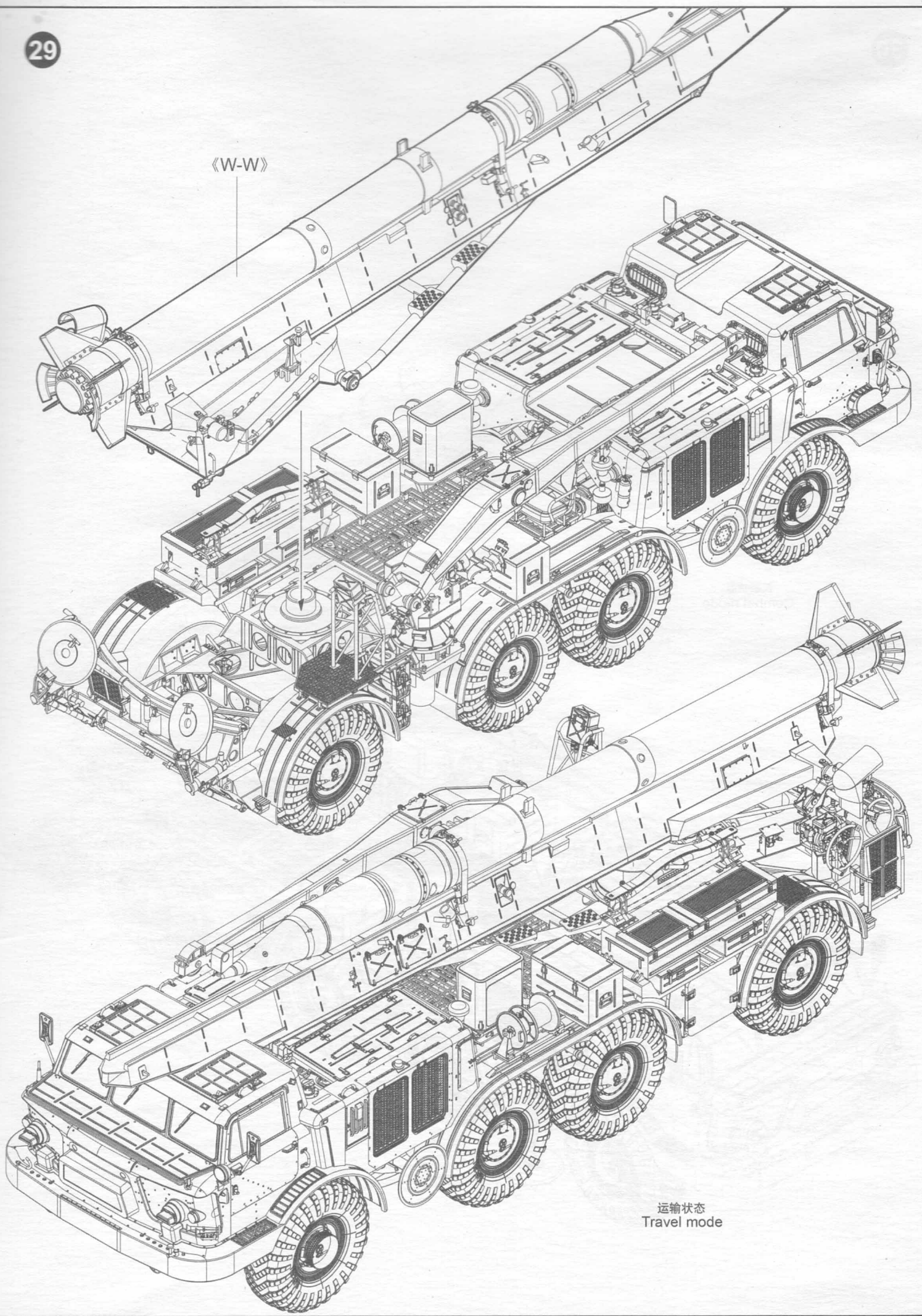
27



28

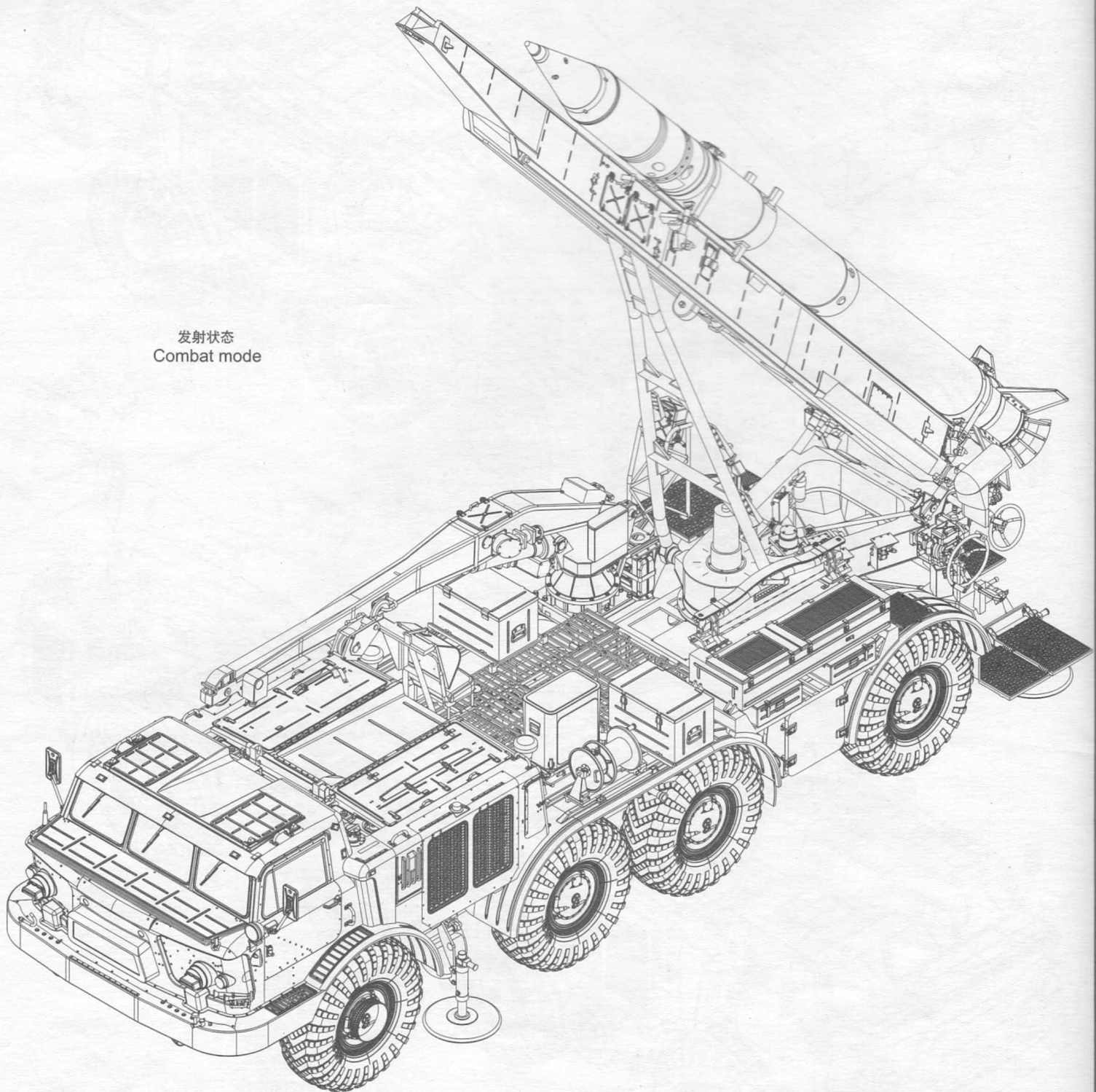


《W-W》



运输状态
Travel mode

发射状态
Combat mode



涂装同标贴指示 Painting & Marking guide

PAINT REFERENCE COLOUR

Color	Mr.Hobby	Vallejo	Model Master	Tamiya	Humbrol
Yellow 黄色	H 313 313	819	1706	-	121
Flat Black 消光黑	H 12 33	950	1749	XF1	33
Silver 银色	H 8 8	997	1546	X11	11
Clear Orange 透明橙	H 92 49	935	-	X26	-
Clear Red 透明红	H 90 47	934	-	X27	-
Sandy Brown 砂黄色	H 79 39	824	-	XF59	93

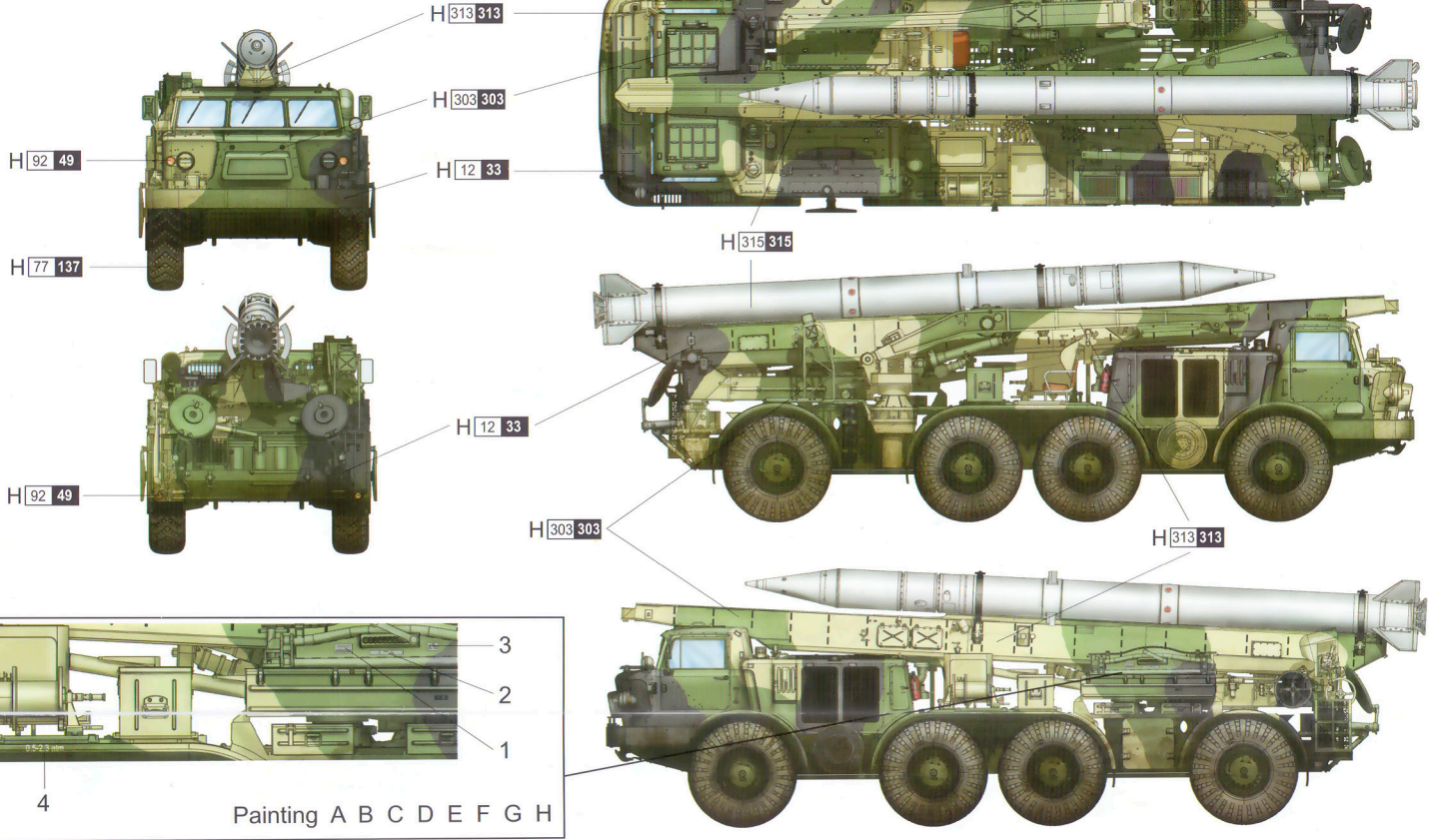
PAINT REFERENCE COLOUR

Color	Mr.Hobby	Vallejo	Model Master	Tamiya	Humbrol
Tire Black 胎黑色	H 77 137	-	-	-	-
Light Green 绿色	H 303 303	-	1713	XF20	117
Aircraft Gray 灰白色	H 57 73	-	-	-	-
White 白色	H 1 1	842	1745	X2	22
Gray 灰色	H 315 315	843	1730	-	129
Gray 灰色	H 306 306	-	1741	XF22	128

PAINT REFERENCE COLOUR

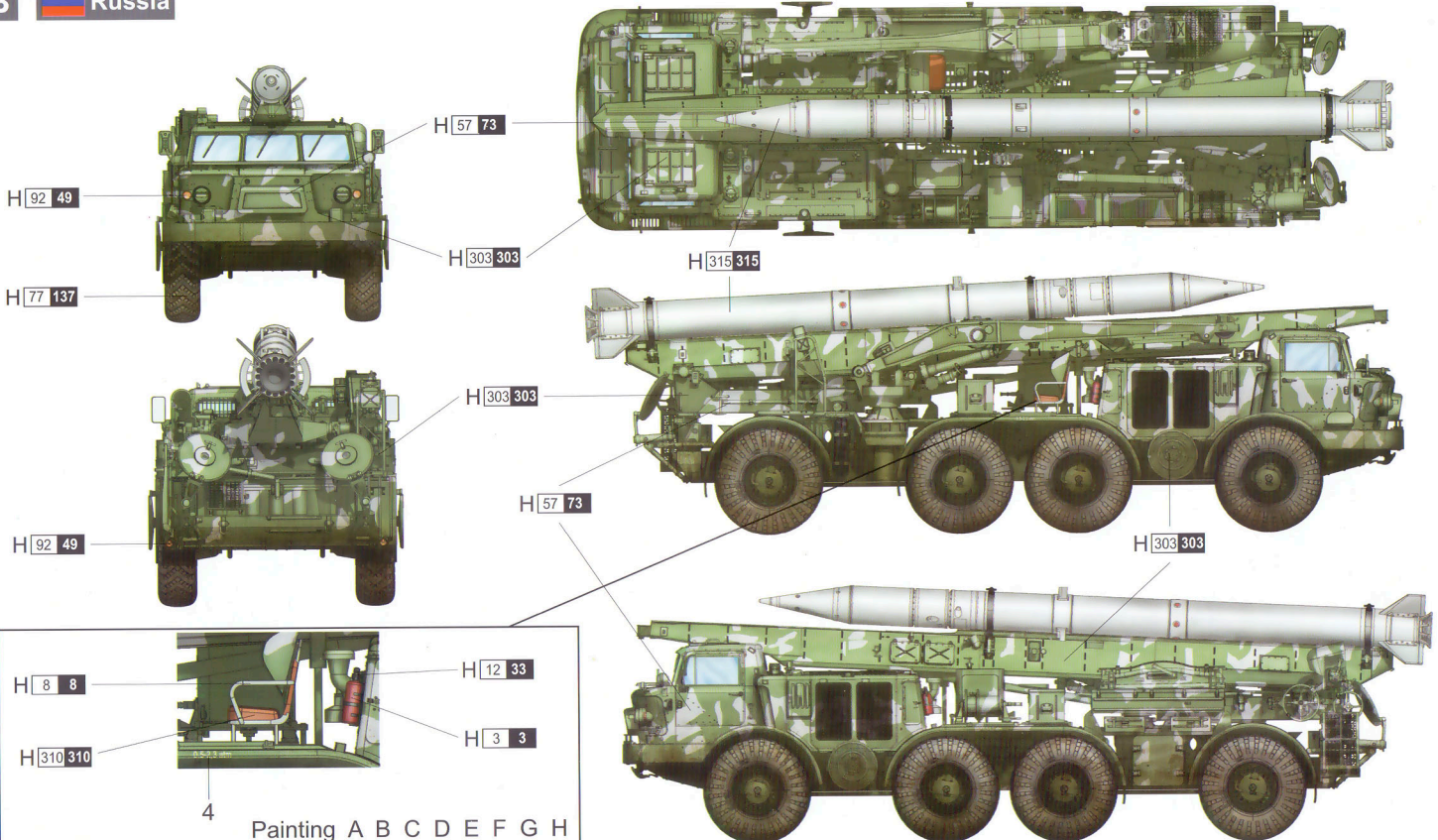
Color	Mr.Hobby	Vallejo	Model Master	Tamiya	Humbrol
Red 红色	H 3 3	908	1503	X7	19
Dark Green 深绿色	H 309 309	893	1710	XF58	116
Brown 棕色	H 310 310	874	1742	-	118

A Russia



Painting A B C D E F G H

B Russia

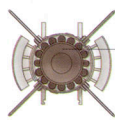


Painting A B C D E F G H

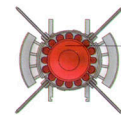
H [X] AQUEOUS HOBBY COLOR X Mr. COLOR

涂装同标贴指示
Painting & Marking guide

C Soviet Union

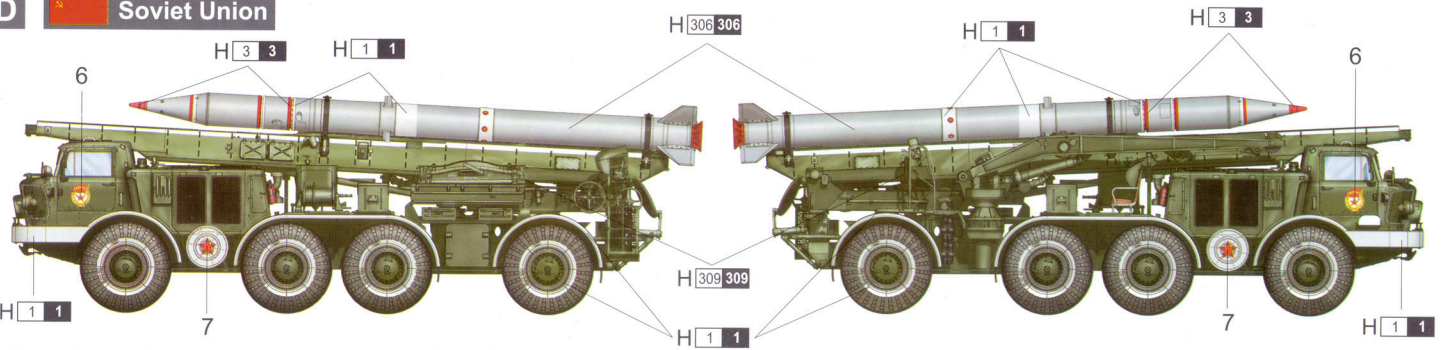


H[12] 33
Painting A B C G

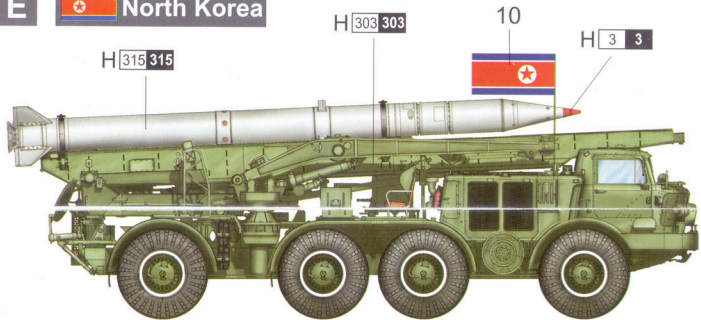


H[3] 3
Painting D E F H

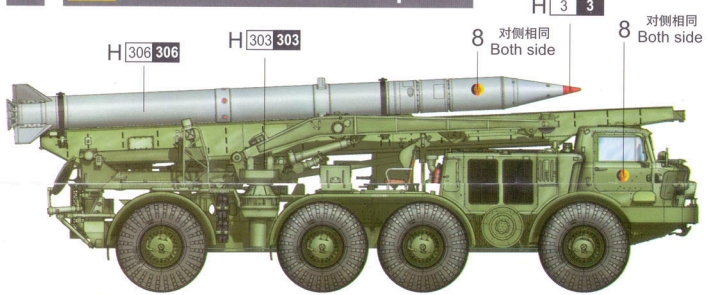
D Soviet Union



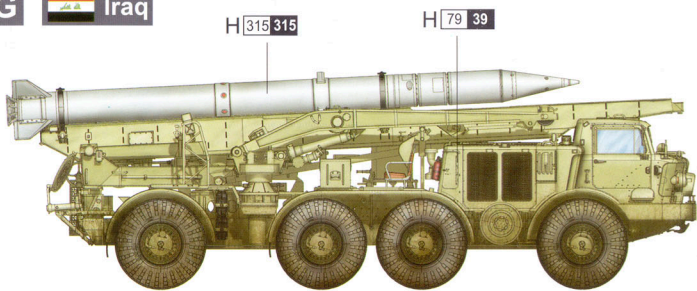
E North Korea



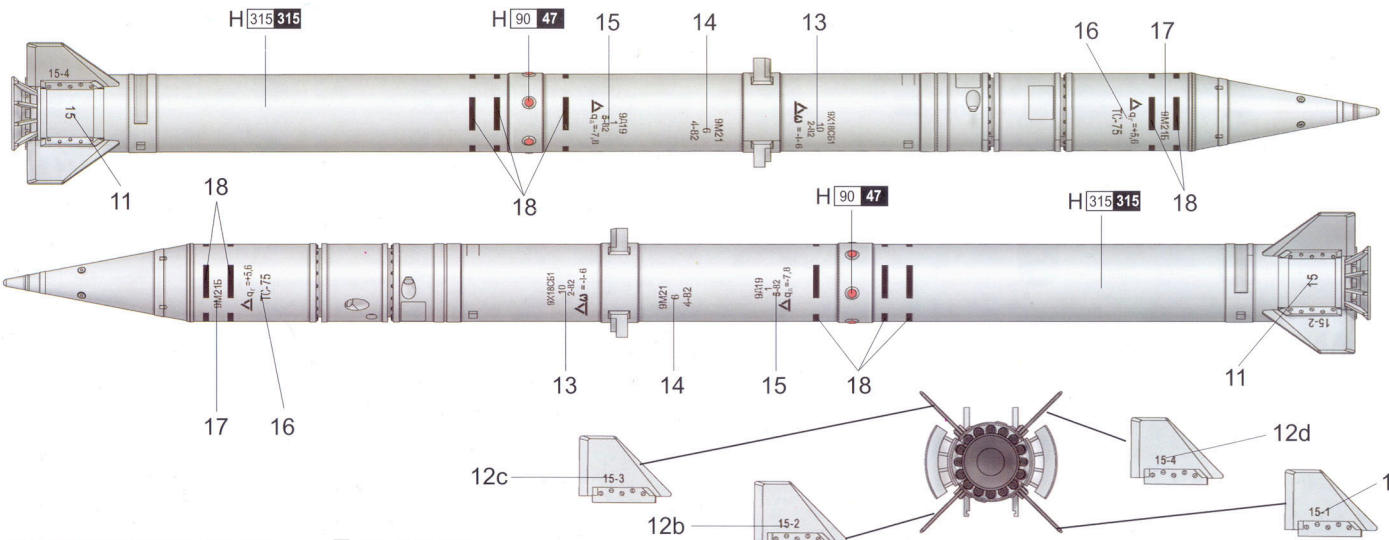
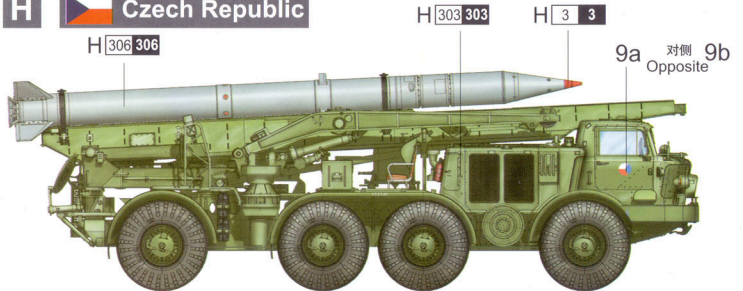
F German Democratic Republic



G Iraq



H Czech Republic



H[] AQUEOUS HOBBY COLOR [] Mr. COLOR