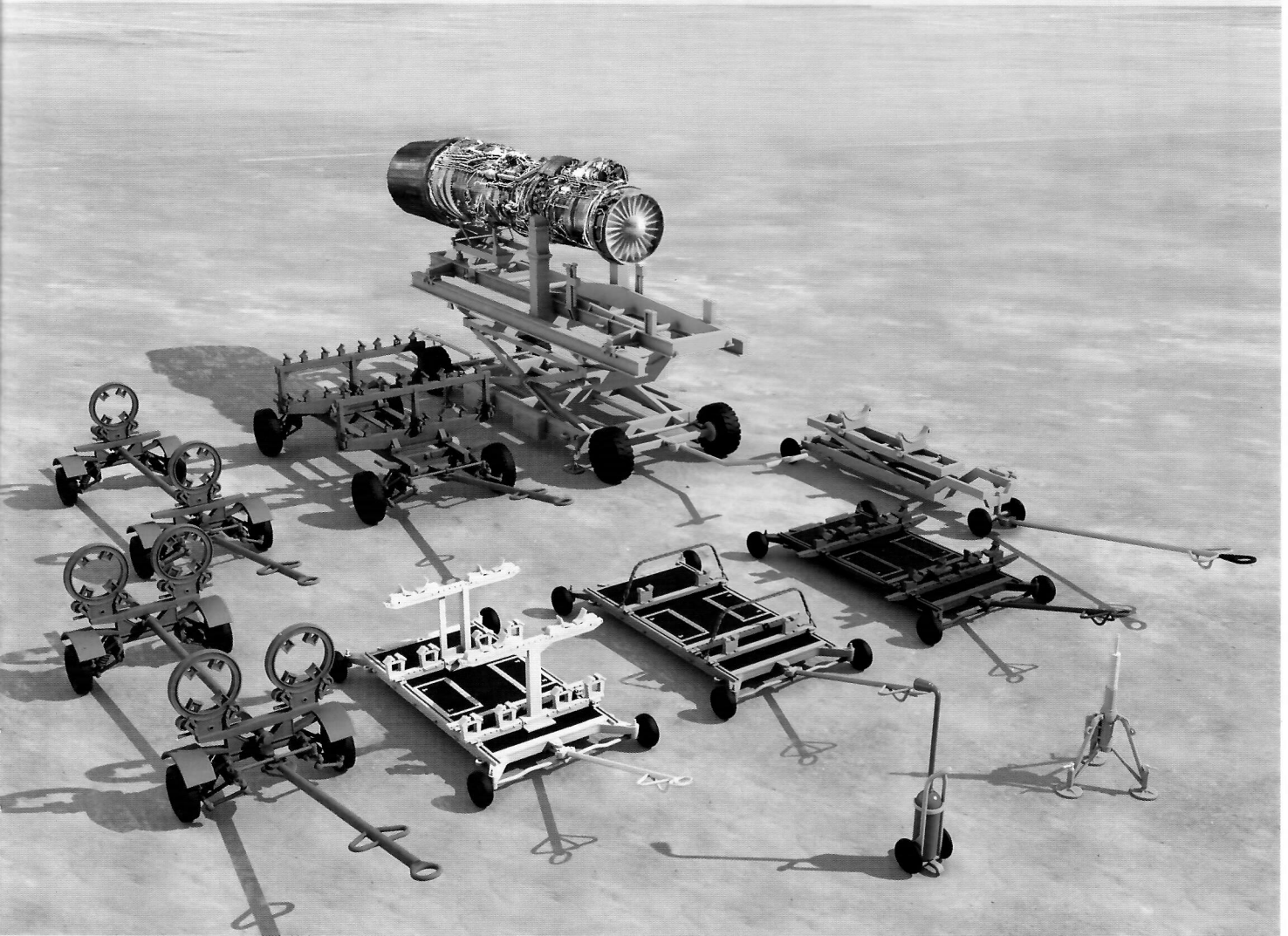


**Instruction**  
模型拼裝說明書 1:48 Scale



# Russian weapon loading cart



俄罗斯武器装载车系列

KH80161

kittyhawkmodel@vip.sina.com  
elitetorn@126.com

# READ BEFORE ASSEMBLY

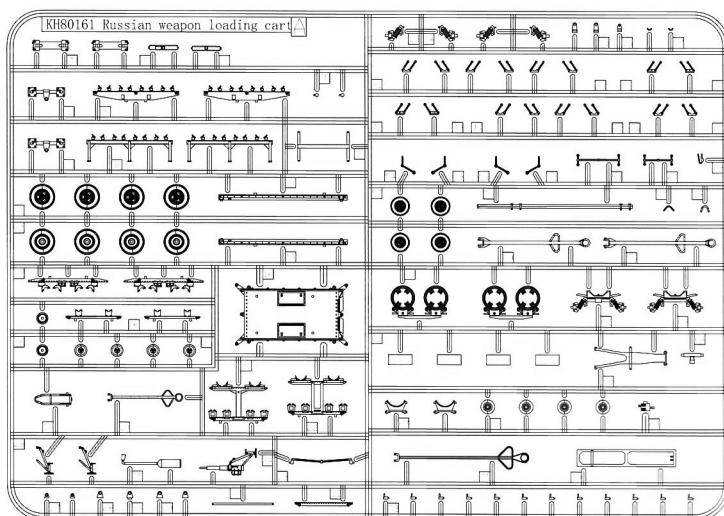
在組合您的模型之前，請充分閱讀本冊說明書。組合模型您需要如下物品（需另購）：模型膠水；一把模型鉗或一把用于將零件從框架上切下的模型筆刀。筆刀同樣可以用來修整零件的合模綫。祝您制作愉快！

Before assembling your model kit, read through these instructions carefully. To assemble this kit, you will need Plastic glue (not included). A pair of side cutter or a sharp modelling knife is required for removing parts from the frame. Plastic mold lines can be removed with the modelling knife.

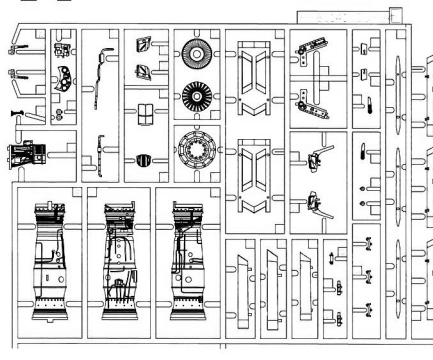
-  請注意  
Special instructions
-  隨愛好選擇  
Optional
-  組合完成  
Finished Assembly
-  彎曲  
Bend
-  制作四組  
Make four
-  鉗孔  
Make Hole
-  塗色  
Painting
-  無需膠粘  
Do Not Cement
-  對側  
Opposite
-  對側相同  
Both sides

## 部品圖 Part

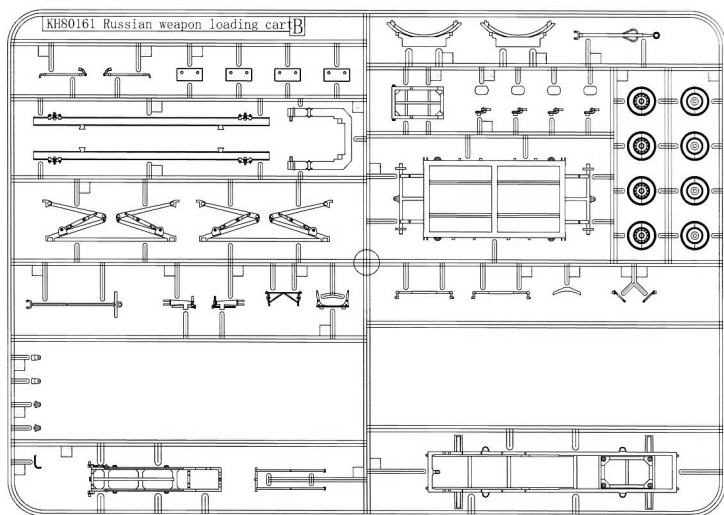
A×2



E×2



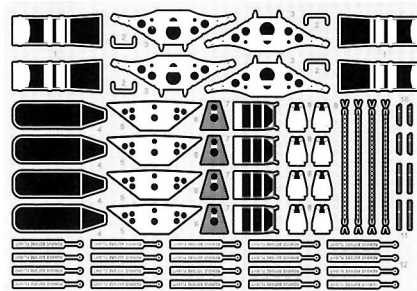
B×2

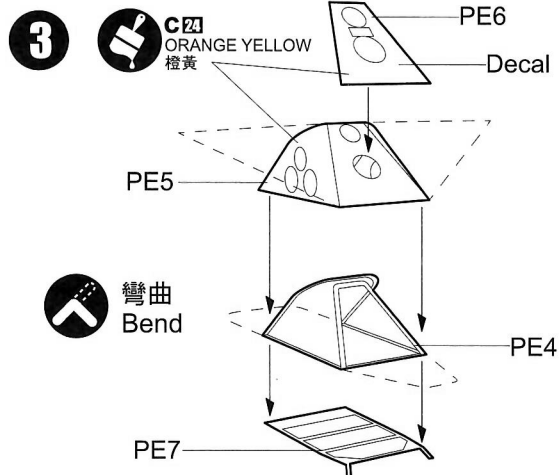
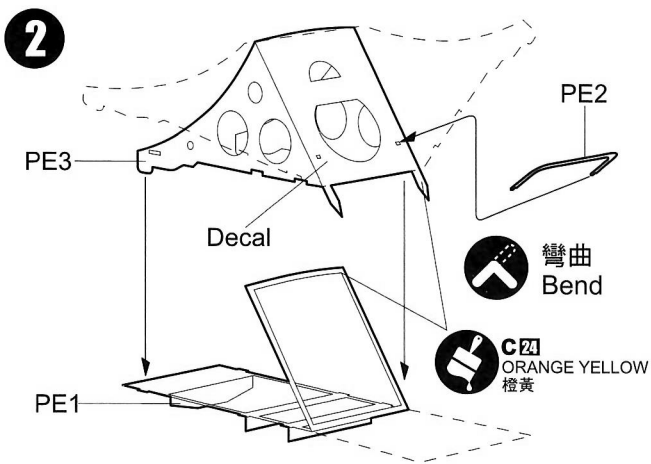
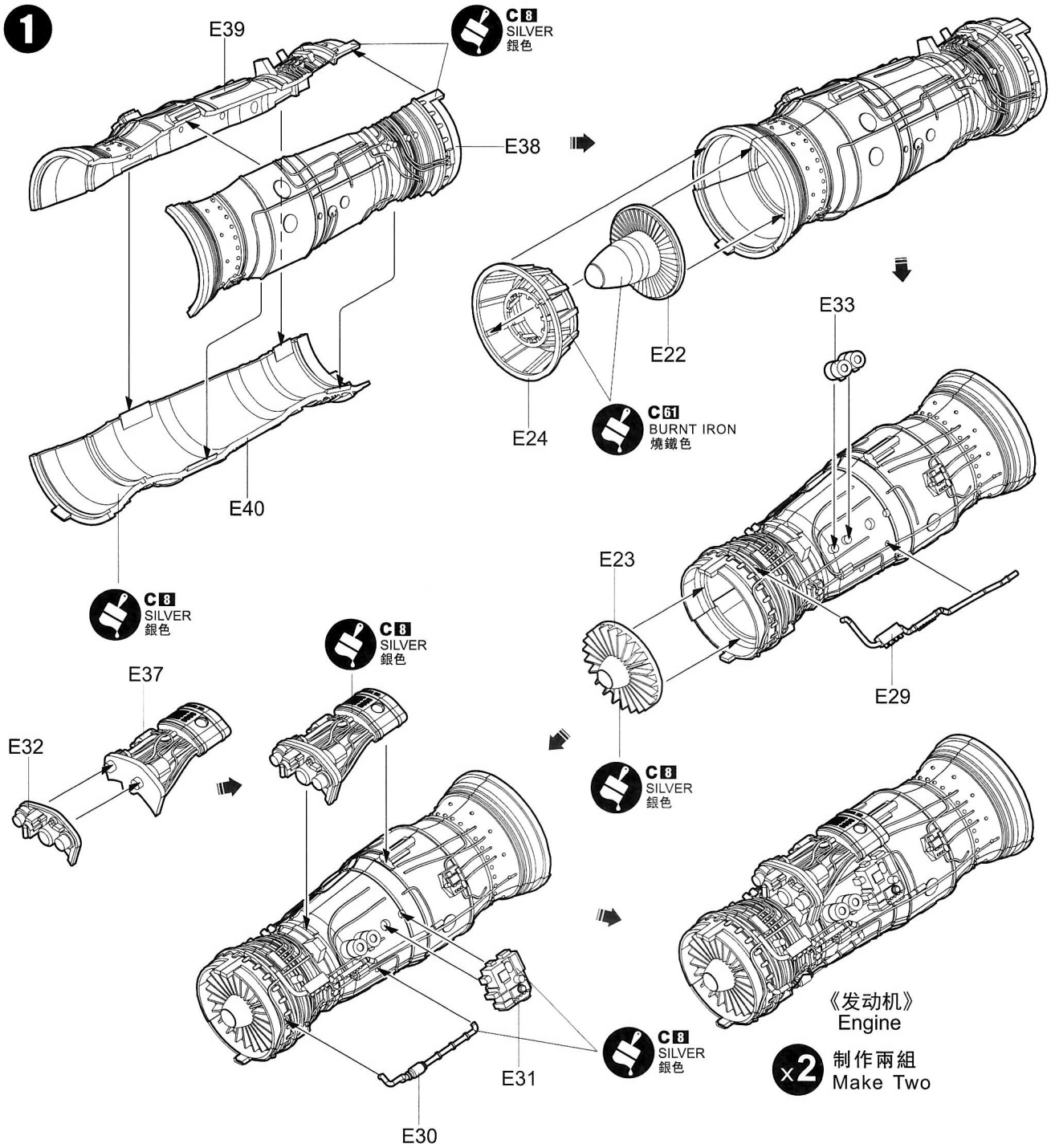


《水貼紙》  
Decal



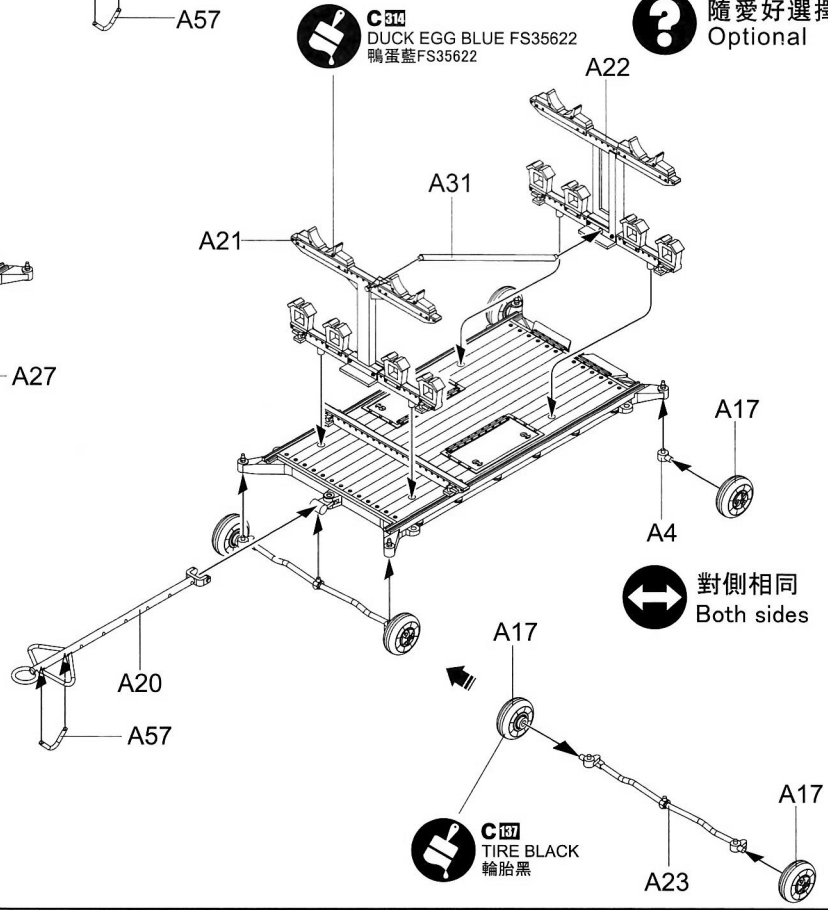
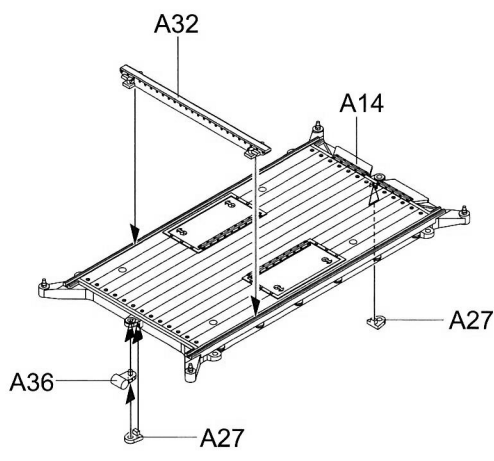
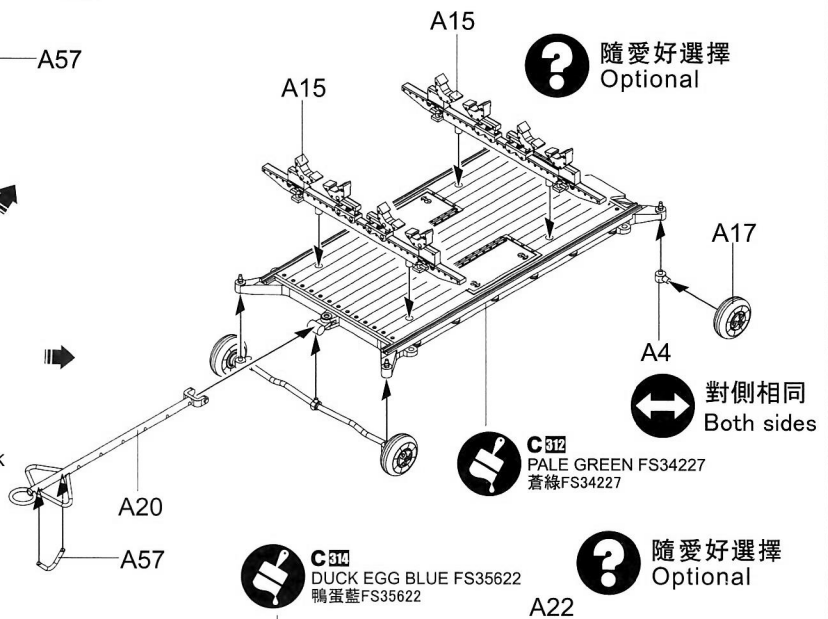
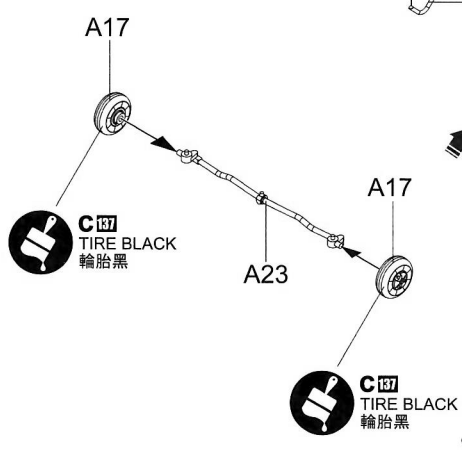
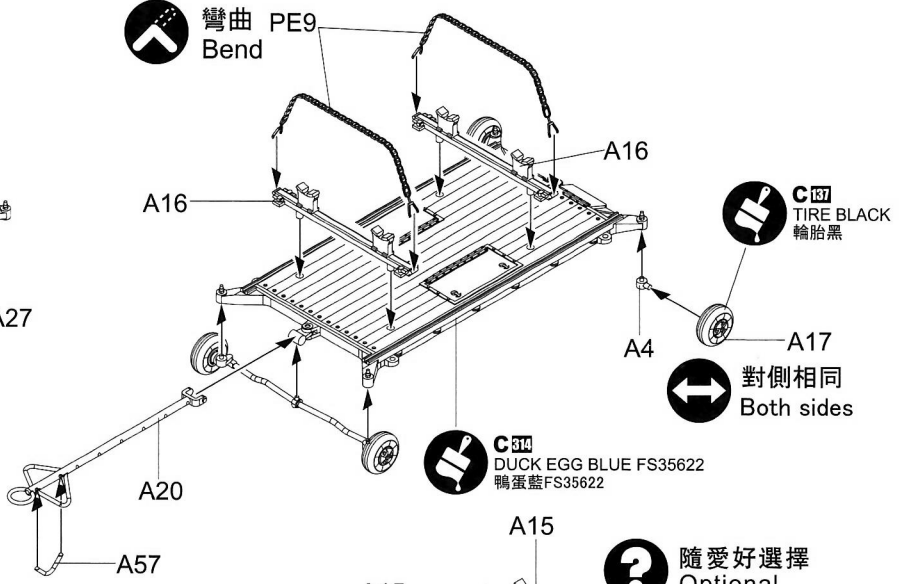
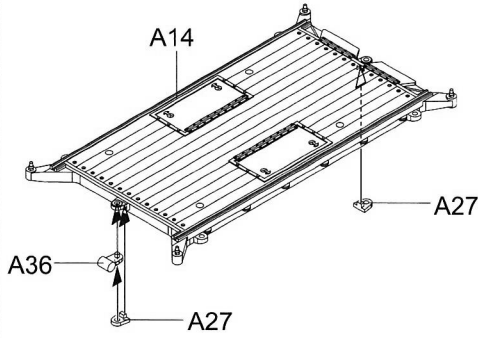
《蝕刻片》  
PE



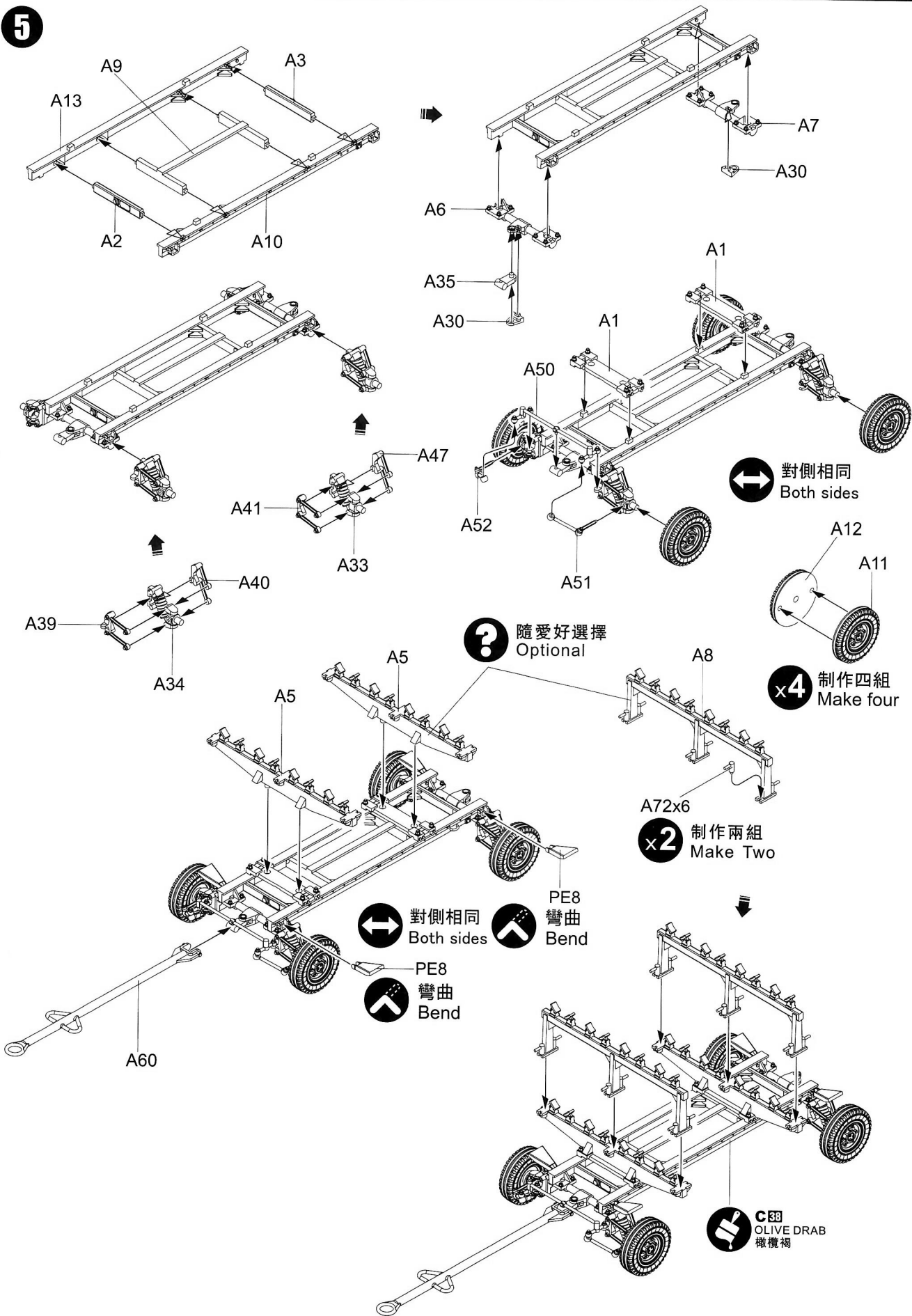


4

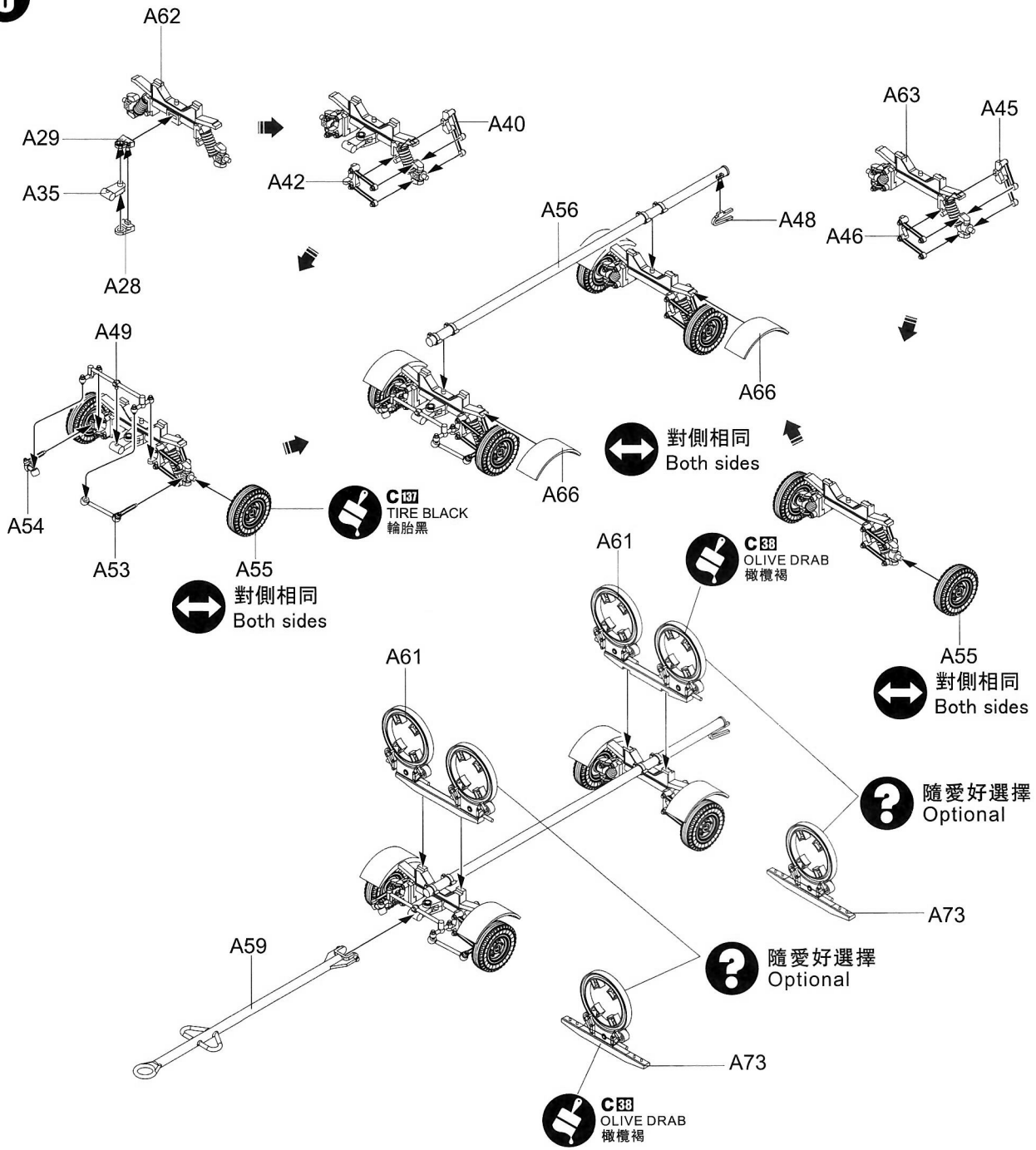
彎曲 PE9  
Bend



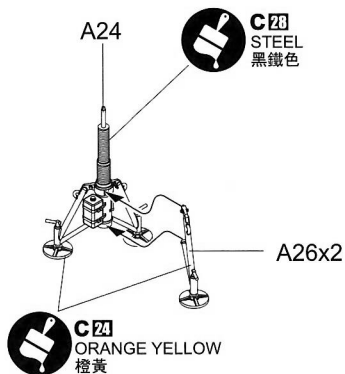
5



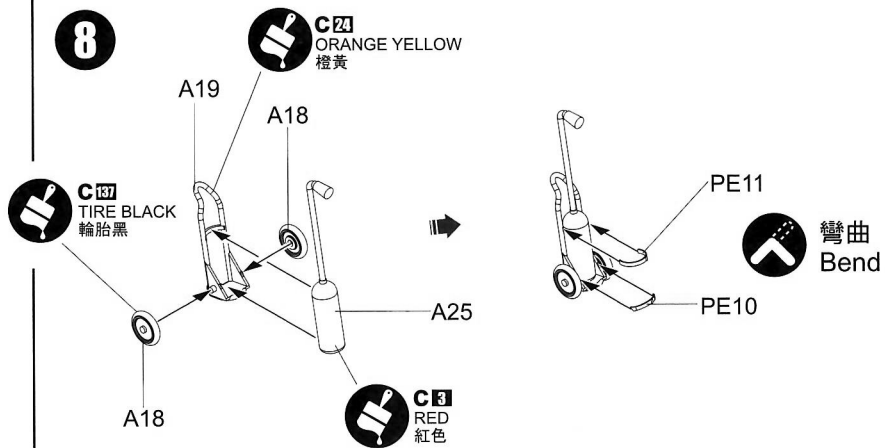
**6**



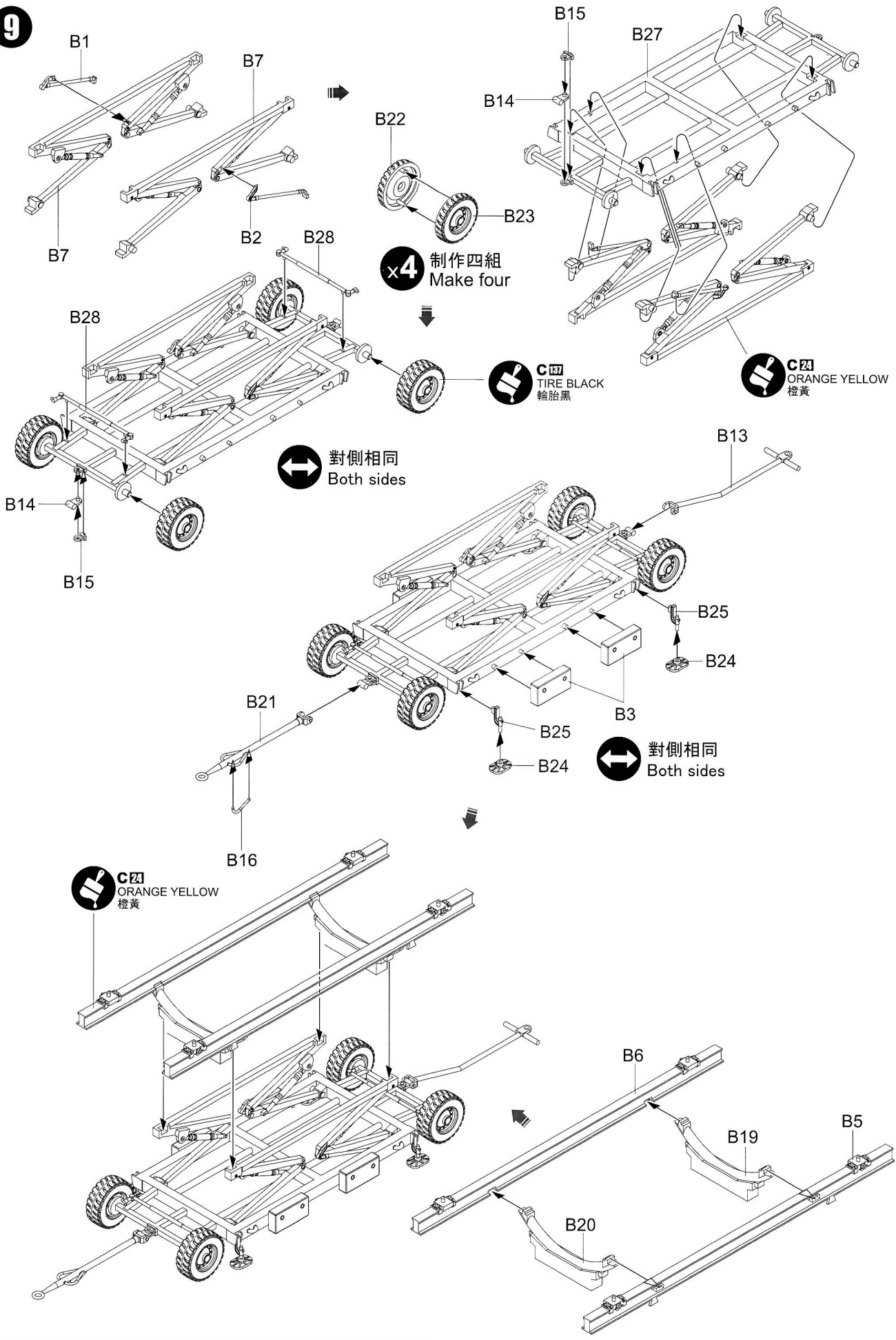
**7**



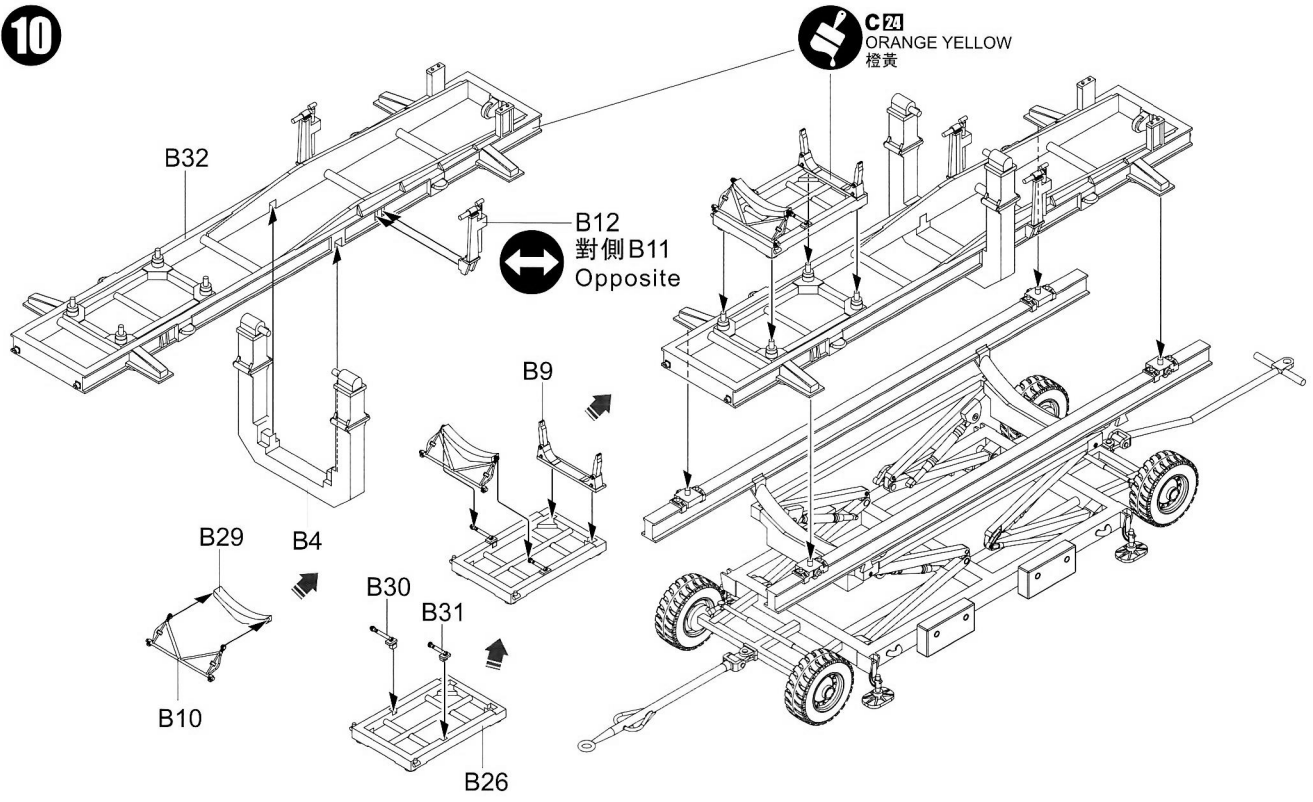
**8**



9



10



11

