

INCORE
MODELS

FORMERLY RELEASED BY HELLER

1/72 Scale

PZL P-11c

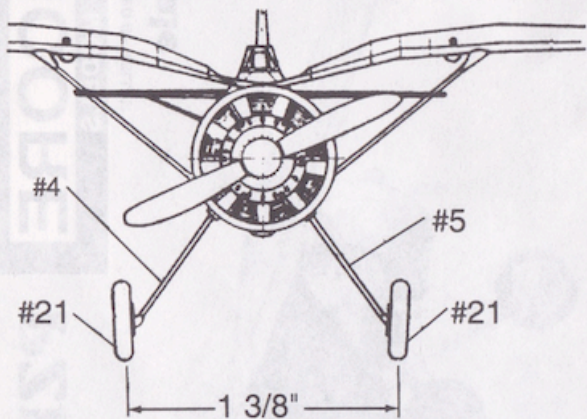
1005



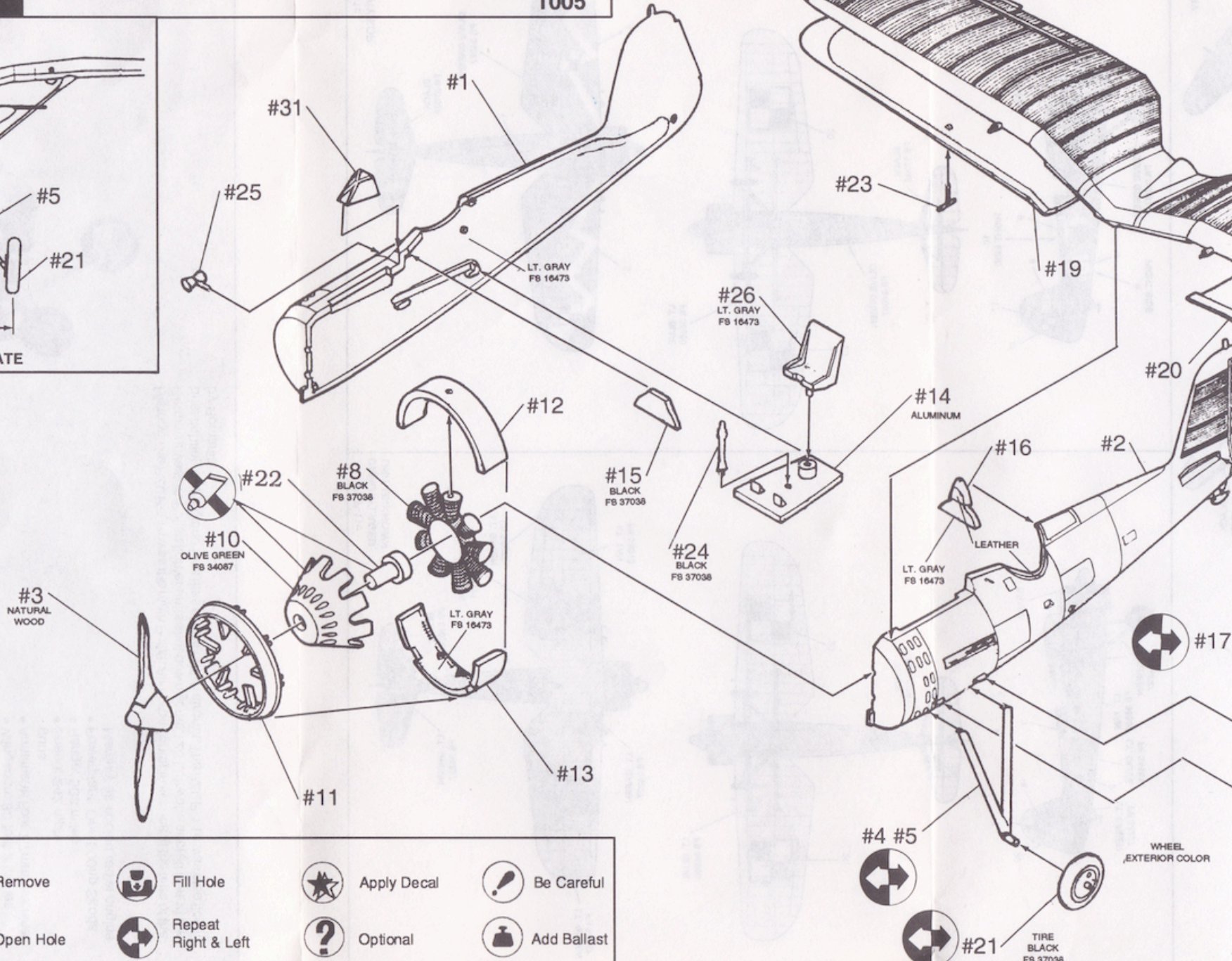
DATA:

- Weight: 3,960 pounds
- Length: 24 feet 9 inches
- Wingspan: 35 feet 2 inches
- Armament: Four 7.7mm machine guns
- Speed: 242 mph
- Range: 503 miles
- Powerplant: One 500hp Skoda Mercury air cooled radial engine

History: The PZL P-11c was the main Polish Air Force fighter in service at the time of the German invasion. Polish fighter units shot down some 126 Luftwaffe aircraft during the brief fighting over Poland for a loss of 114 Polish aircraft. The PZL P-11c was also flown by Romania.



WHEEL SPACING TEMPLATE



Assembly Legend

- | | | | | |
|-----------------|-----------|---------------------|-------------|-------------|
| Cement Together | Remove | Fill Hole | Apply Decal | Be Careful |
| Do Not Cement | Open Hole | Repeat Right & Left | Optional | Add Ballast |

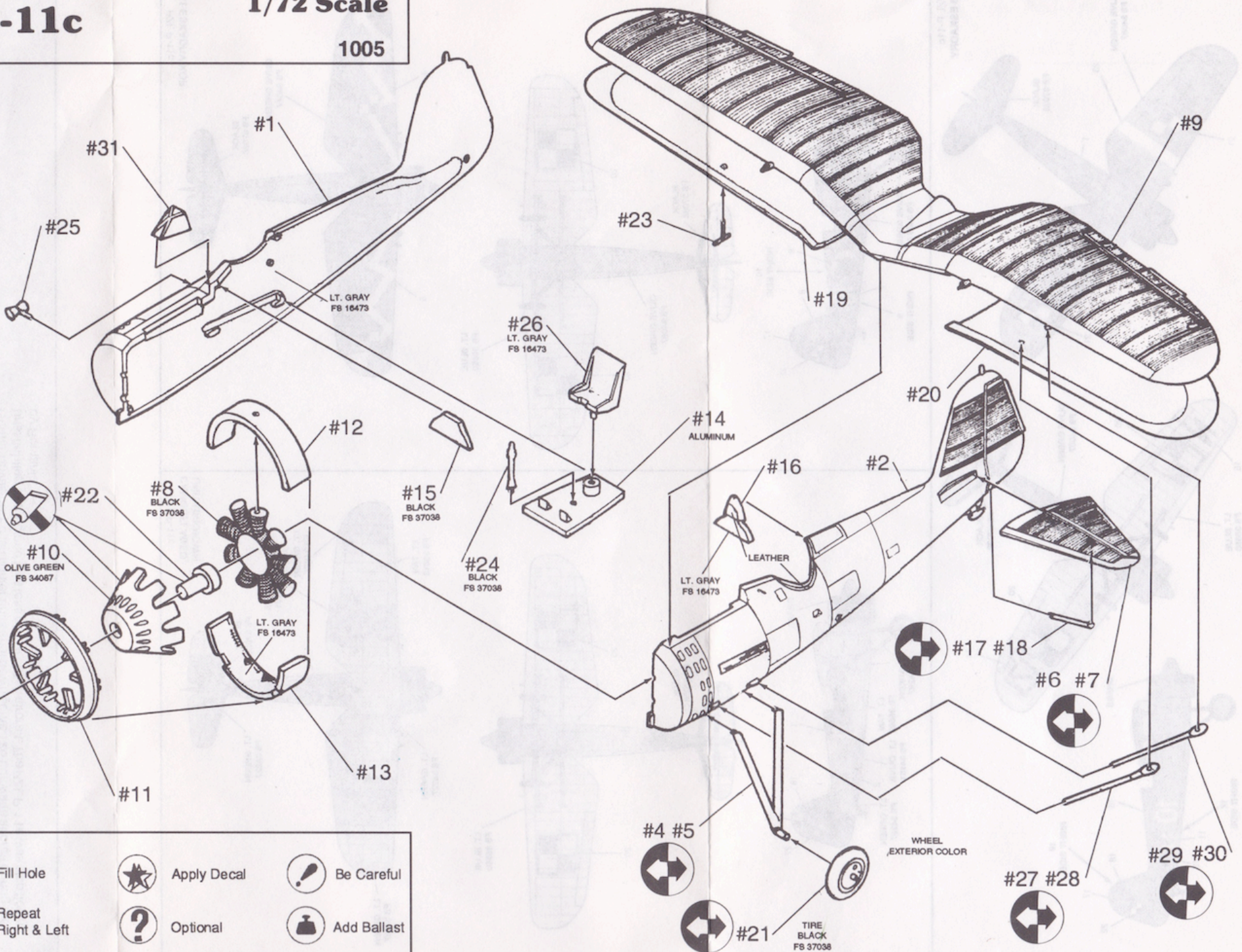
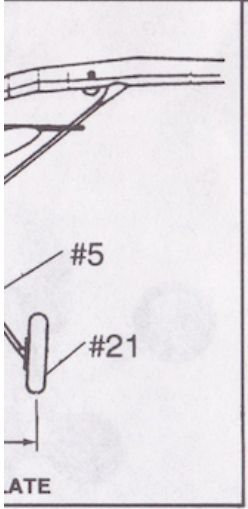
WHEEL
EXTERIOR COLOR







TIRE
BLACK
FB 37038

PZL P-11c

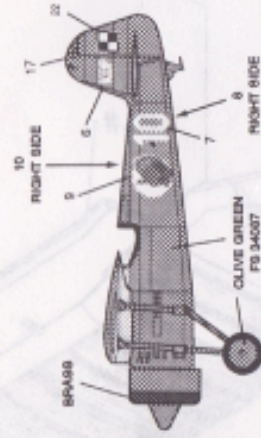
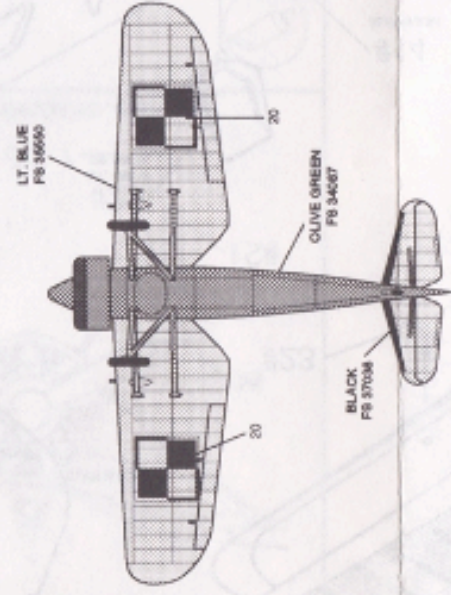
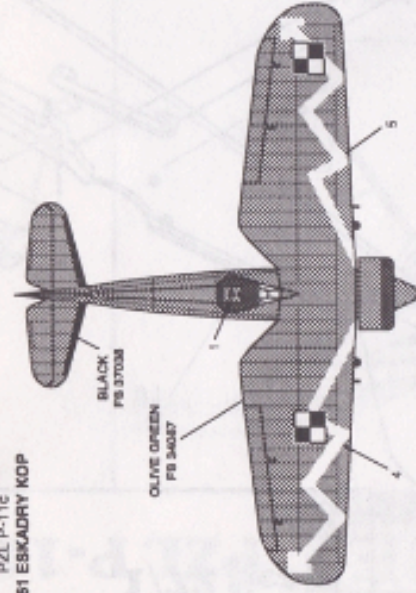
1/72 Scale

1005

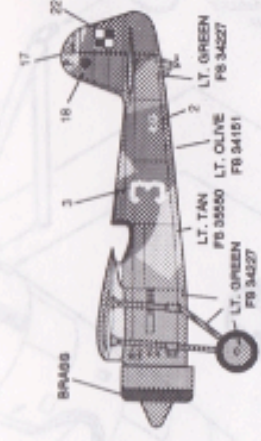
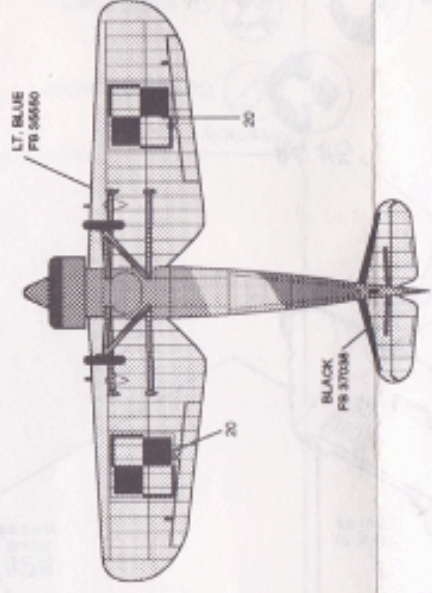
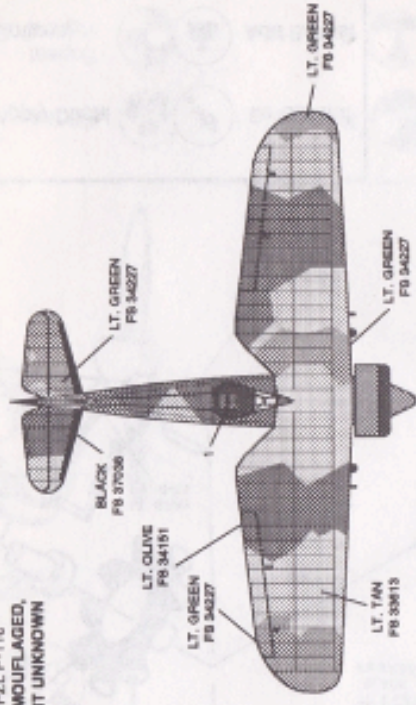


- | | | | |
|-----------|---|---|---|
| Remove |  Fill Hole |  Apply Decal |  Be Careful |
| Open Hole |  Repeat Right & Left |  Optional |  Add Ballast |

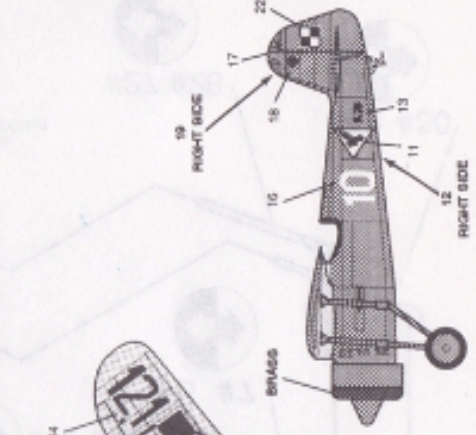
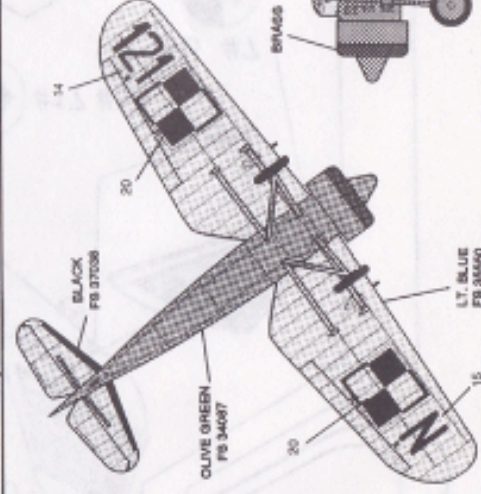
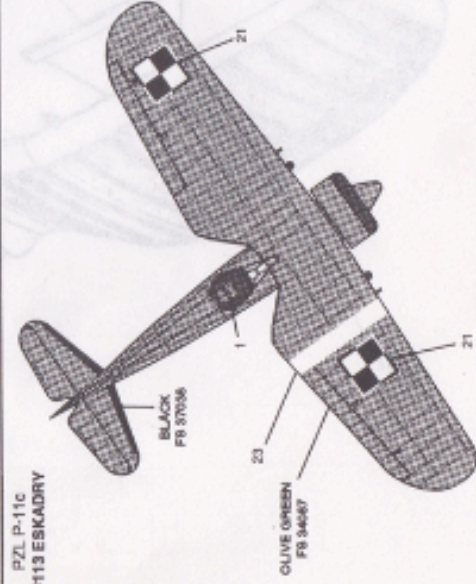
PZL P-11c
#161 ESKADRY KOP



PZL P-11c
CAMOUFLAGED,
UNIT UNKNOWN



PZL P-11c
#113 ESKADRY



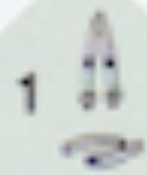
ENCORE
BOARDS

PZL P11C #1005

4

3
33

SCALE-MASTER®
INVISIBLE
INVISIBLE-CLEAR®



2
8.13
8.13

6 KOP KOP

7

8

9

10 10



5



14

15

11

12

13

8.39
8.39

10



16
10 10

121 N



23

17



20



P 11c

P 11c

21



18



19

22

