

DOUGLAS DC -9

DOUGLAS DC-9-32

Plastic model

scale :1/144

The **McDonnell Douglas DC-9** is a twin-engine, single-aisle jet airliner. It was first manufactured in 1965 with its maiden flight later that year. The DC-9 was designed for frequent, short flights. The final DC-9 was delivered in October 1982. The -30 was the definitive series with 662 produced, accounting for about 60% of production.

PLASTIC KITS

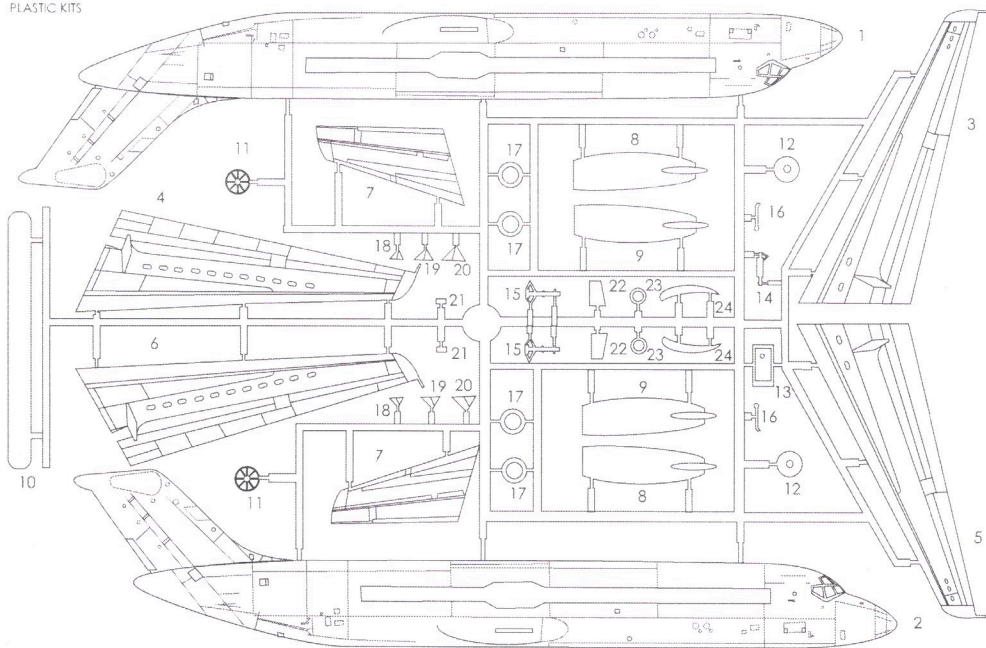
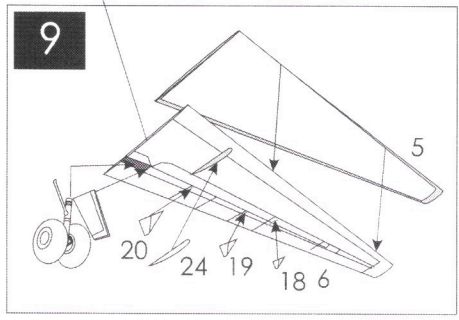
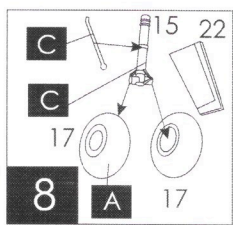
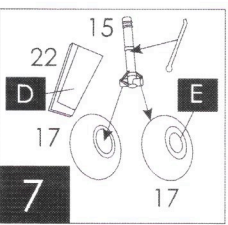
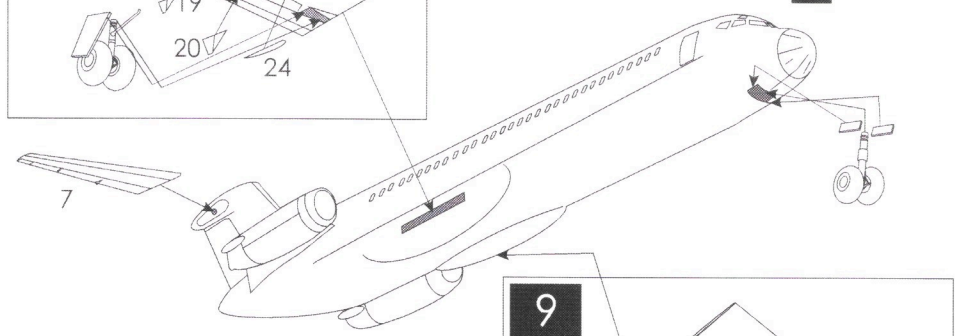
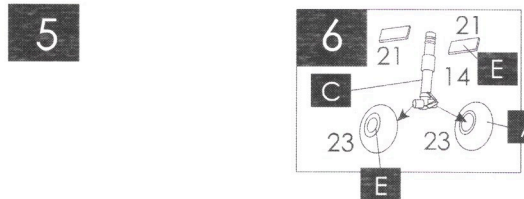
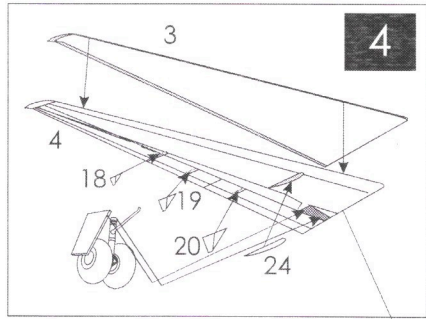
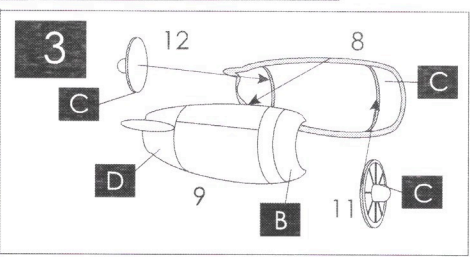
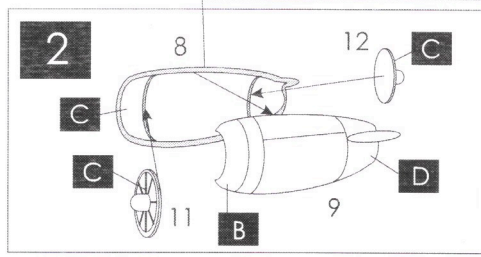
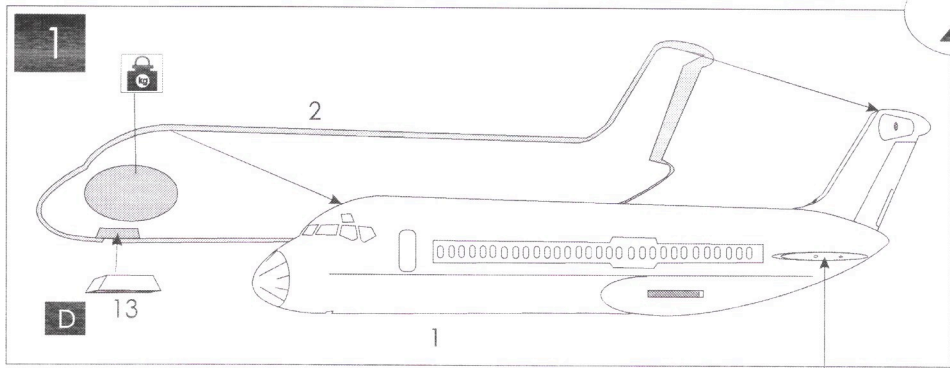


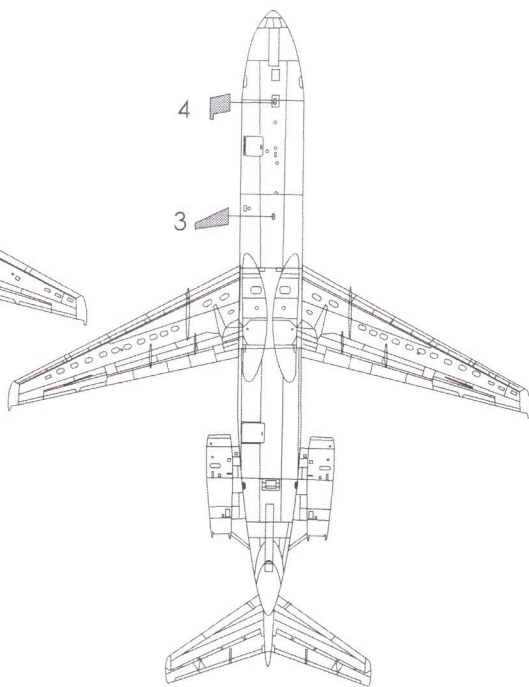
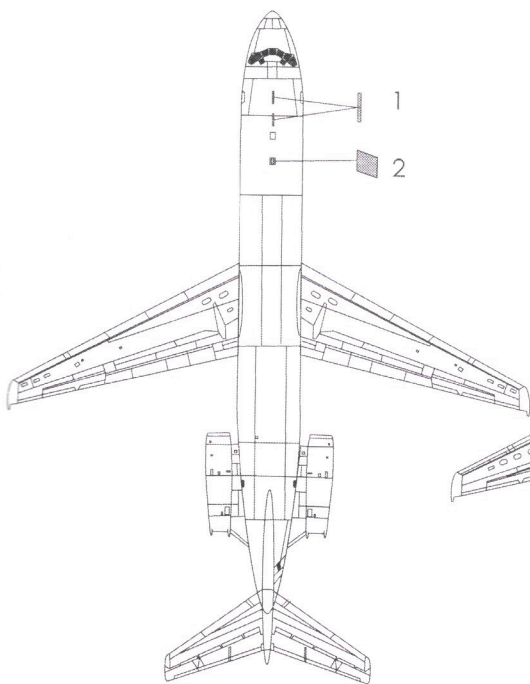
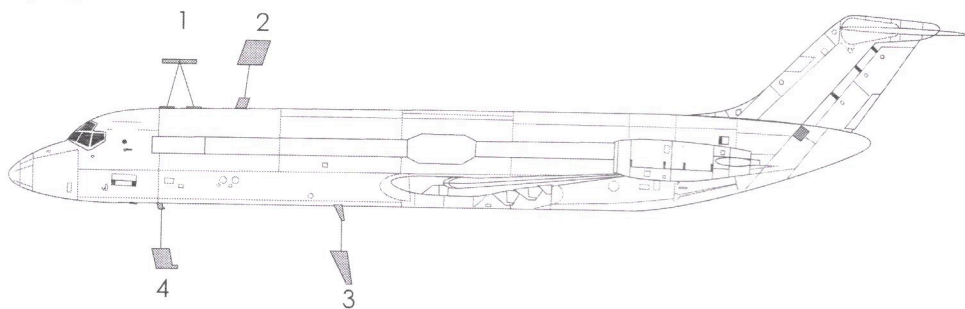
Photo-Etched parts



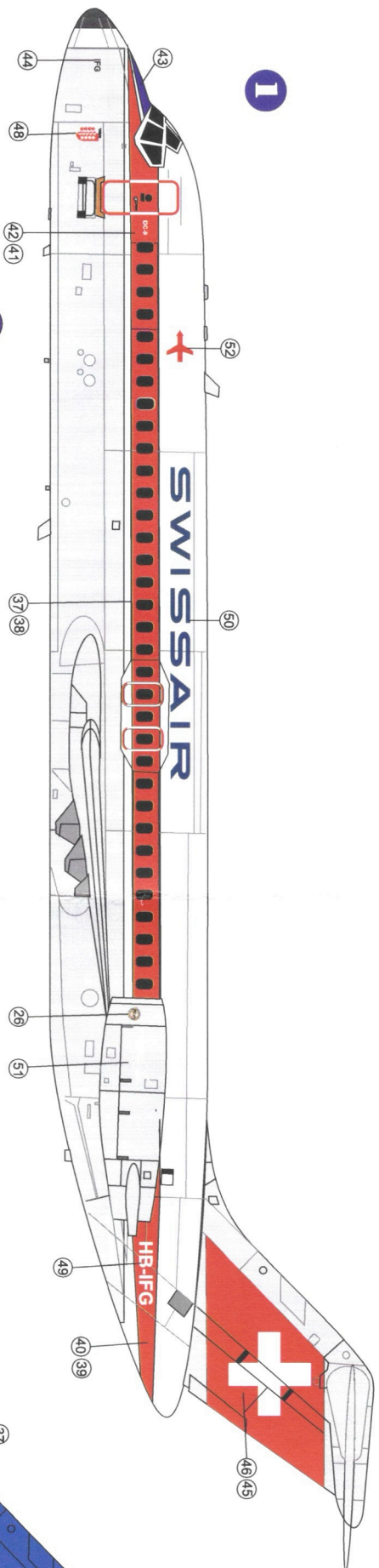




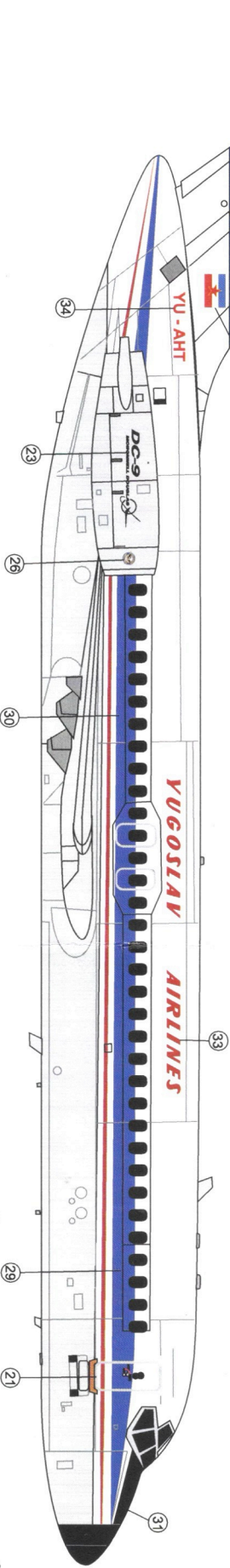
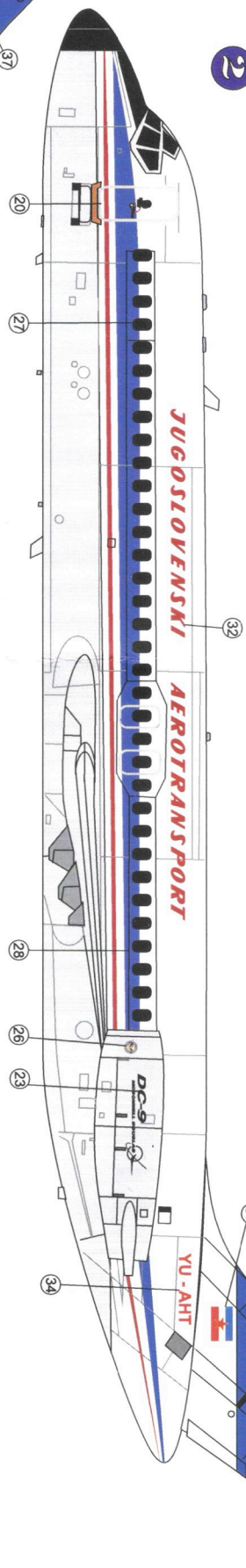
Photo_Etched parts



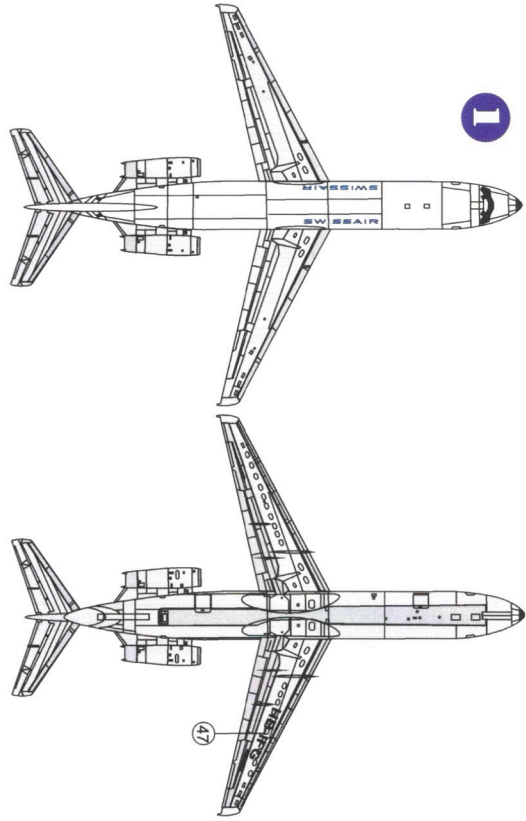
1



2



1



2

