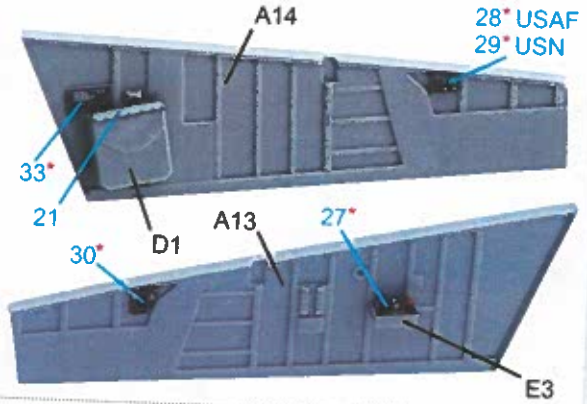


INTERIOR 3D*DECAL

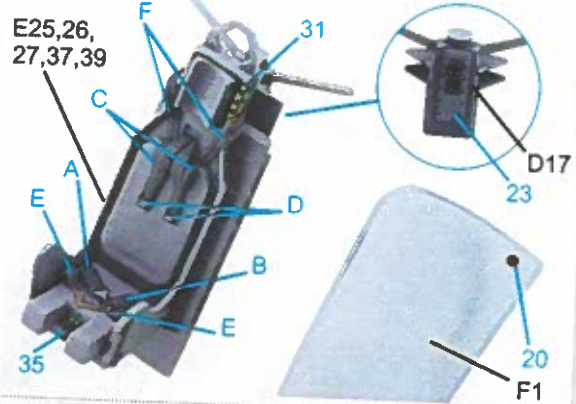
(for ICM kit)



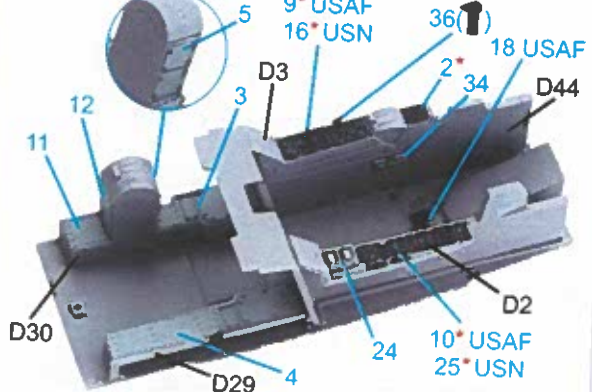
A00 - kit's part # * - remove the relief from the plastic part



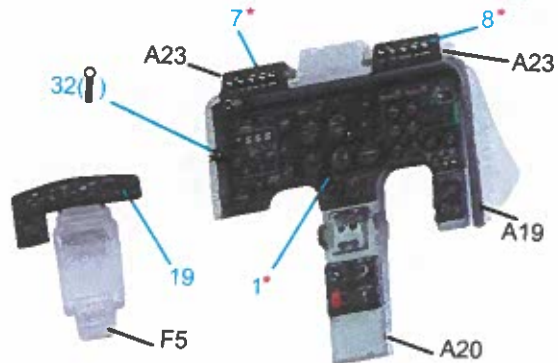
A00 - kit's part # * - remove the relief from the plastic part



A00 - kit's part # * - remove the relief from the plastic part



A00 - kit's part # * - remove the relief from the plastic part



A00 - kit's part # * - remove the relief from the plastic part

