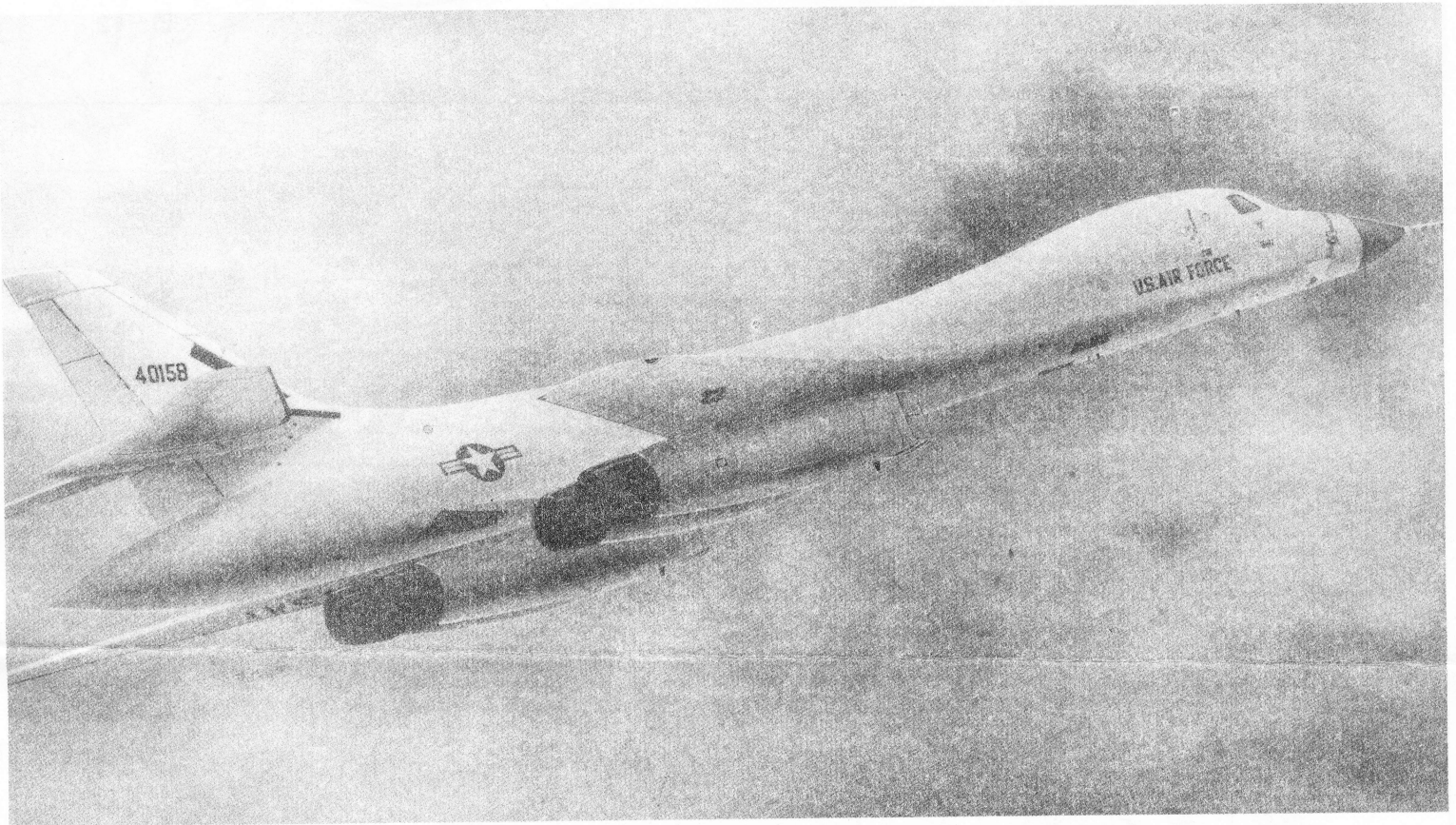
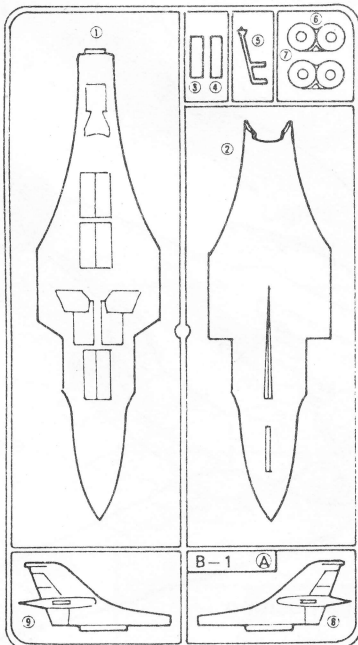


ROCKWELL B-1A

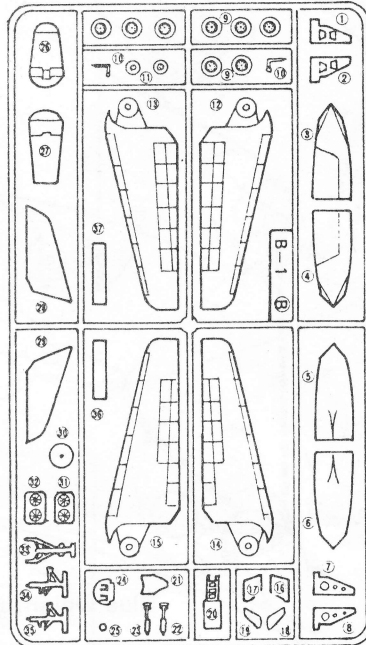


PARTS LIST

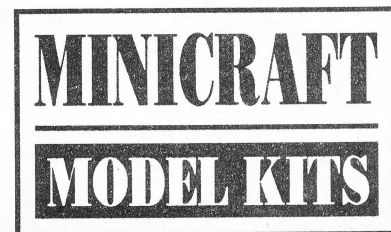
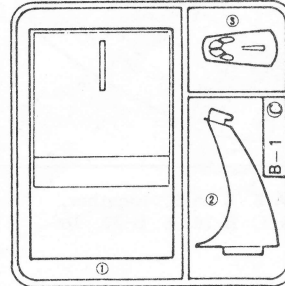
A-PARTS



B-PARTS



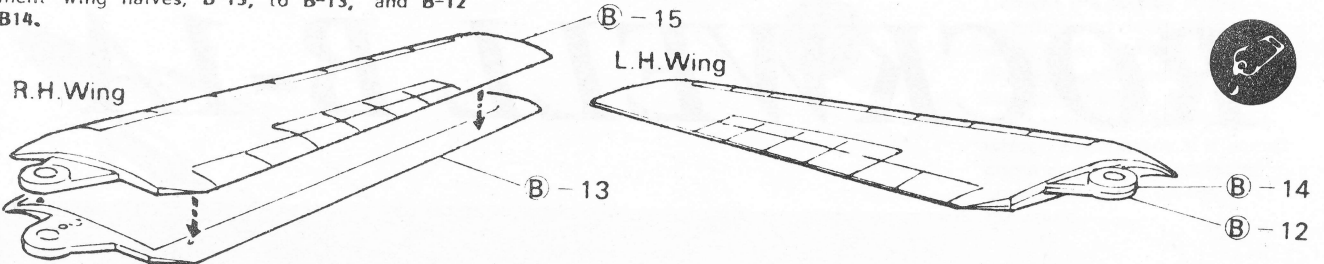
C-PARTS



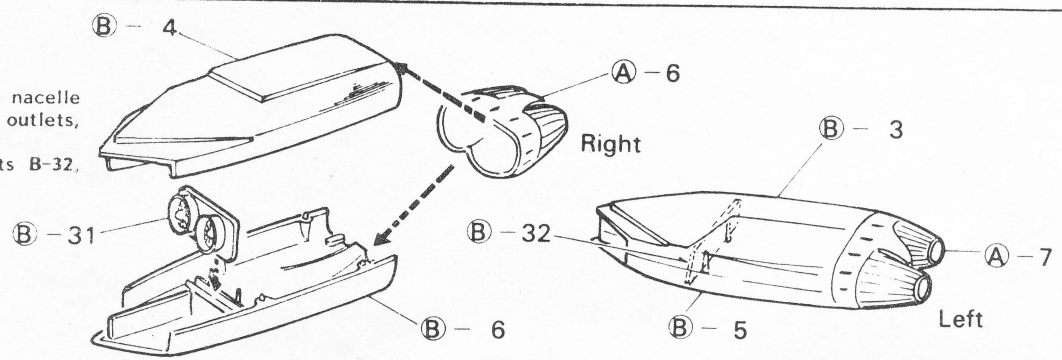
MINICRAFT MODELS, INC.
1450 W. 228TH STREET, #17
TORRANCE, CA 90501 USA

11606

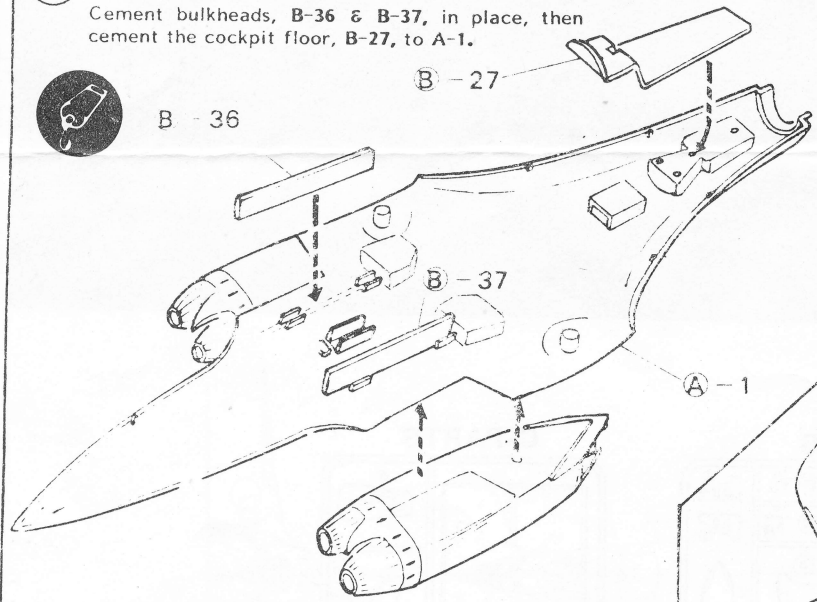
1 Cement wing halves, B-15, to B-13, and B-12 to B-14.



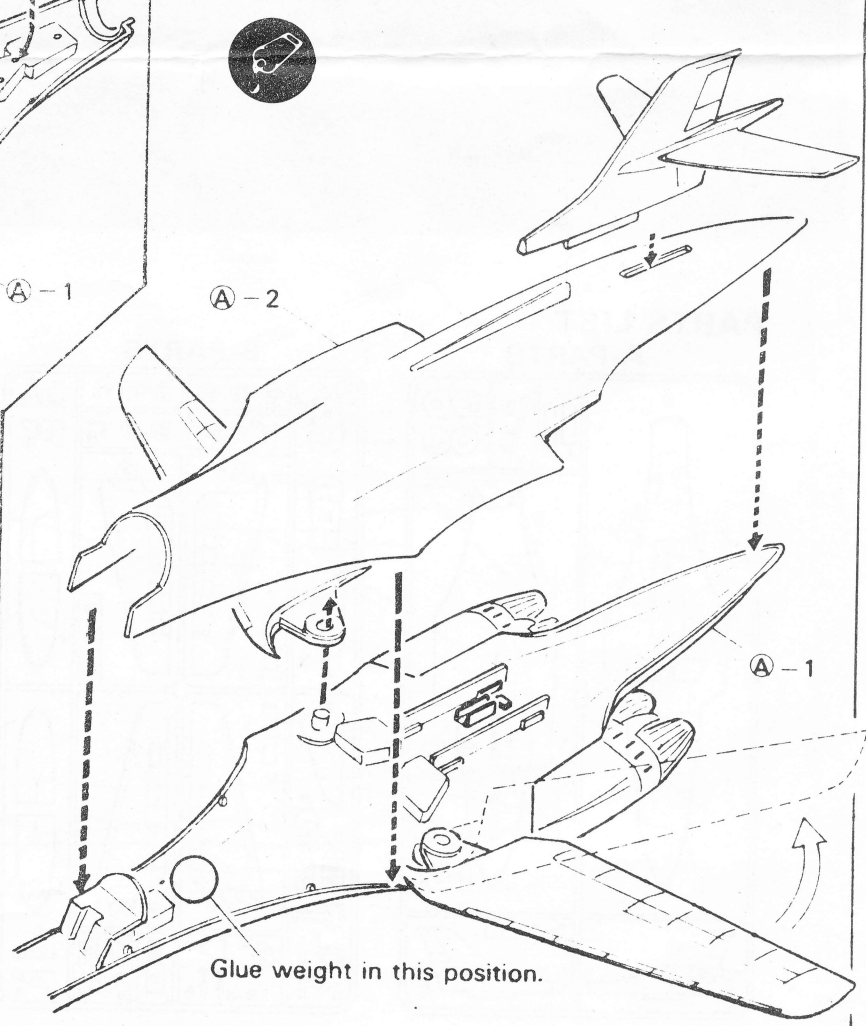
2 Cement engine faces, B-13, into right nacelle bottom, B-6, then cement the exhaust outlets, A-6 to the nacelle. Repeat for the left nacelle, using parts B-32, B-5, B-6 and A-7.



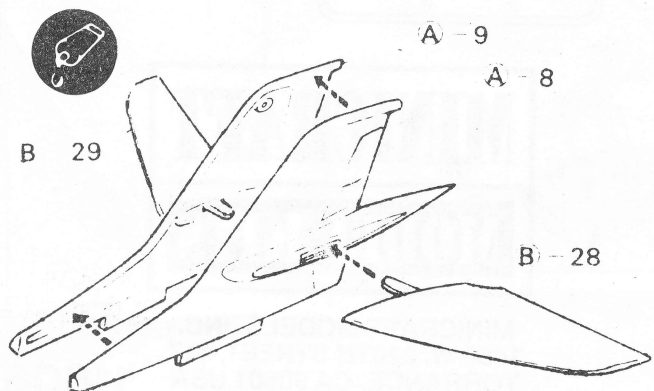
3 Cement the engine nacelles to the lower fuselage, A-1. Cement bulkheads, B-36 & B-37, in place, then cement the cockpit floor, B-27, to A-1.



5 Cement a 1/2 ounce weight where shown. Place the wings on A-1, making sure they move freely. Now, carefully cement the fuselage top, A-2, to the bottom. Make sure the wings are free to move.

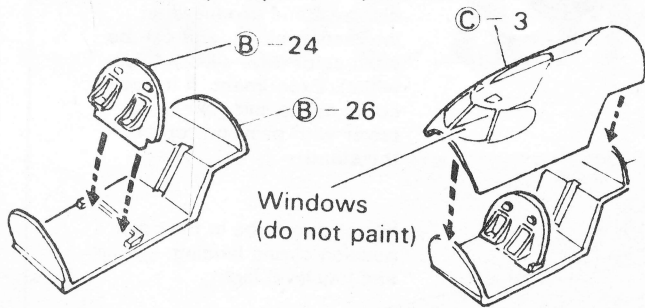


4 Cement the fin halves, A-8 & A-9, together, then cement the stabilizers, B-28 & B-29, to the fin.

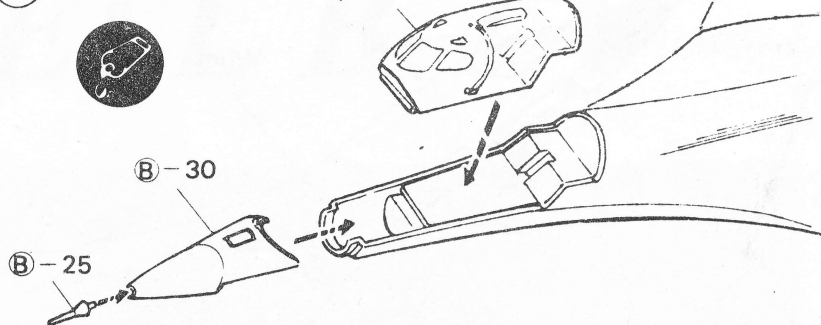


Glue weight in this position.

- 6 Cement cockpit bulkhead, B-24, to capsule floor, B-26.
Cement cockpit capsule, C-3, to B-26.

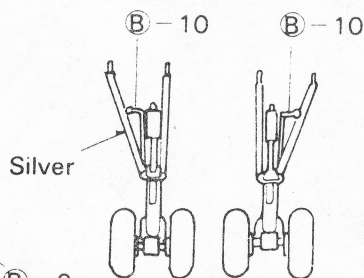
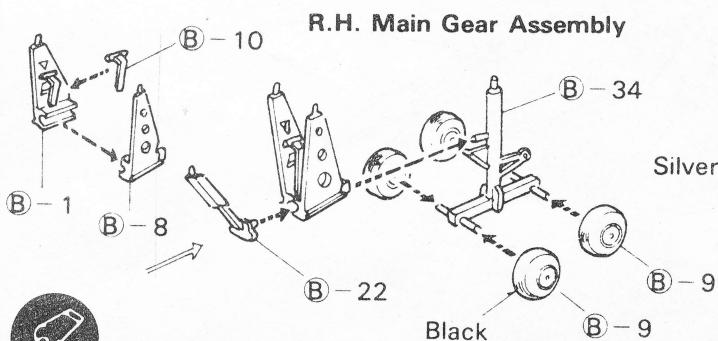


- 7 Cement capsule to fuselage, then cement nose, B-30, and pitot tube, B-25, in place.

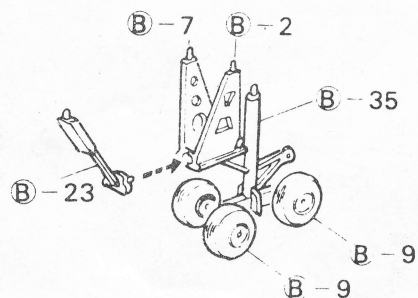


- 8 Cement the right and left main landing gear together as indicated.

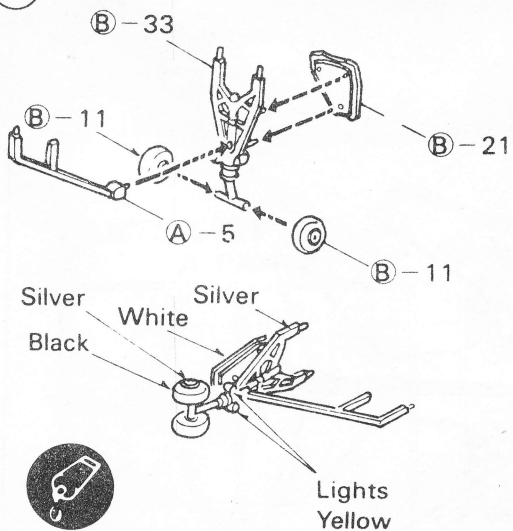
R.H. Main Gear Assembly



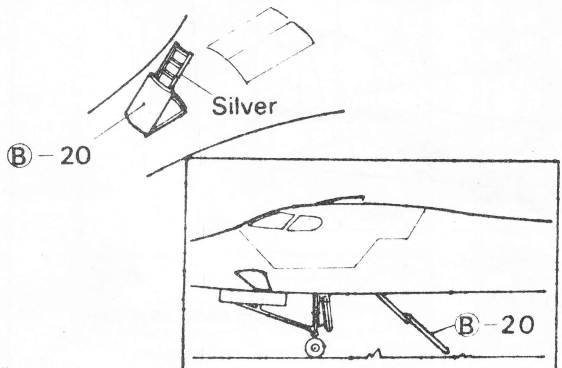
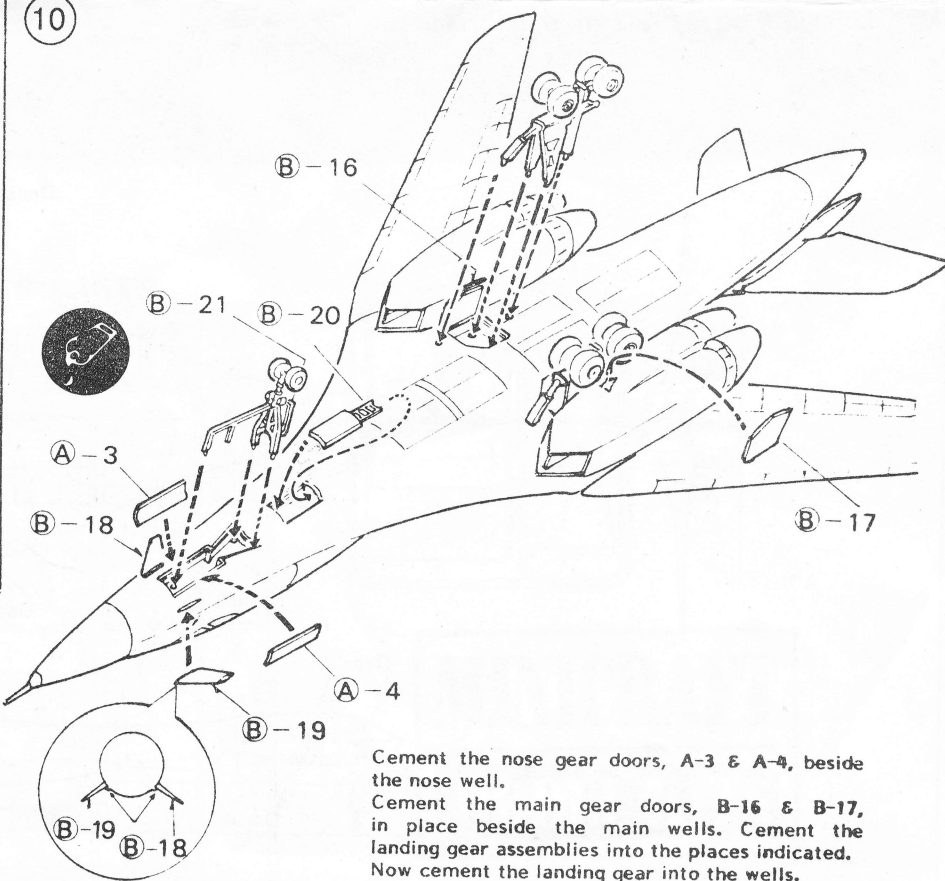
L.H. Main Gear Assembly



- 9 Cement the nose landing gear together as shown.



- 10



Cement the nose gear doors, A-3 & A-4, beside the nose well.
Cement the main gear doors, B-16 & B-17, in place beside the main wells. Cement the landing gear assemblies into the places indicated. Now cement the landing gear into the wells. The entrance hatch, B-20, may be cemented open or closed. Note drawings for position. The front canards, B-18 & B-19, should be cemented at the angle shown in the small drawing.

11

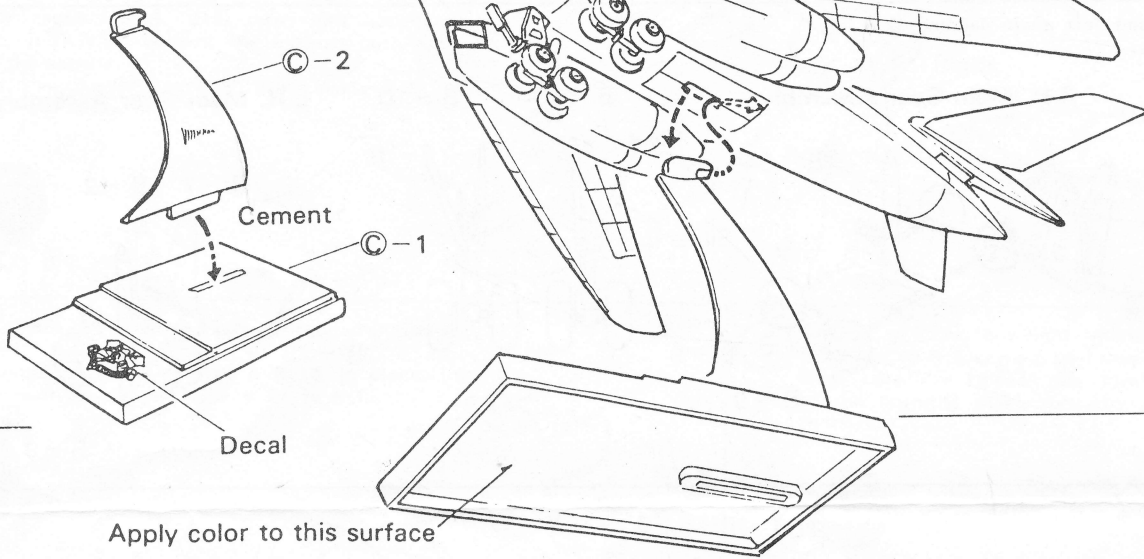
Black

White

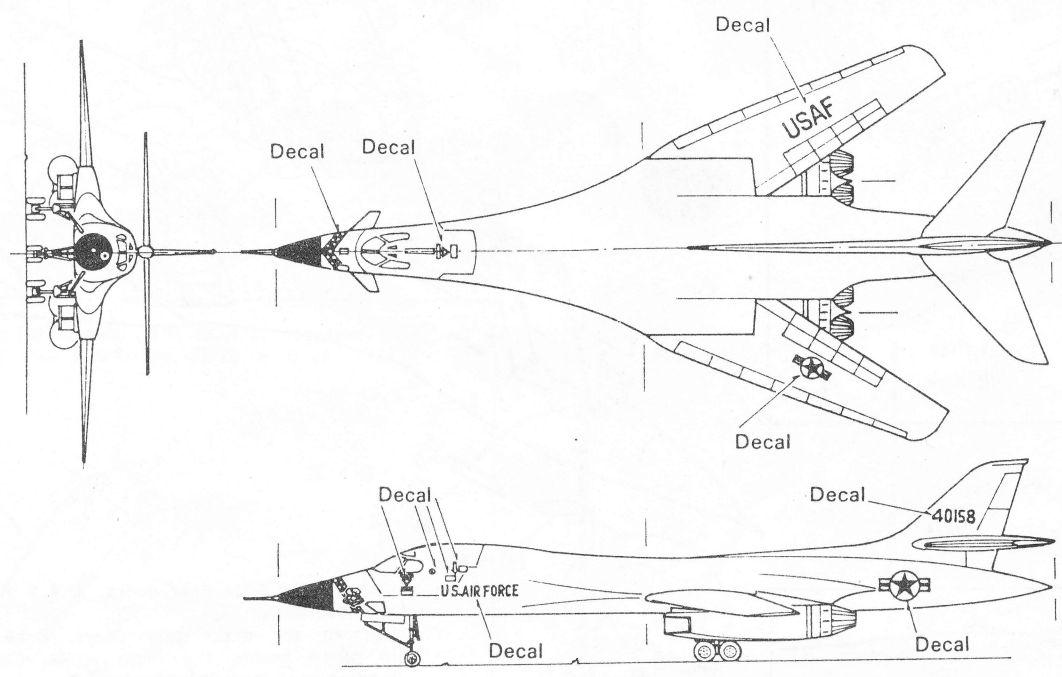


Finish painting and apply the decals in the location shown. Cement the display stand together and decorate if you wish. Paint applied under the display stand produces an interesting effect, and can be multi-color (blue-silver)- (blue-white). Experiment. If it doesn't come out to suit your taste, cover with paint on top of the stand.

Wings should be in the open position during landing, take off and low-level flight.



12



Apply decal as shown.