

SS JOHN W. BROWN LIBERTY SHIP

美国布朗号自由轮

READ BEFORE ASSEMBLY:

- Study and understand these instructions thoroughly before beginning assembly
- When needed, remove photo-etch parts carefully using a modeling knife or photo etch sprue cutter, being careful not to damage or lose small parts.
- Take extra care in handling photo etch parts in order to avoid injury
- Apply instant cement sparingly to photo etch parts where instructed
- Tools recommended(not included in kit):Plastic and instant cements, sprue cutters,long nose pliers,modeling knife, small files, tweezers, pin vise & scissors. Soft cloth and sandpaper will also assist in construction
- Glue and paint are not included in the kit. Use plastic cement and hobby paints only. Color guide for purchasing paint is included in the kit.

装配之前仔细阅读

- 小心用模型锉刀锉平所有零件表面的注射浇口。
- 小心用刀片切下蚀刻片零件，不要遗失小零件。
- 用强力快干胶水粘合蚀刻片零件和金属轴。过量快干胶水使用可能导致可动零件会粘住，小心涂胶。
- 取蚀刻片时应特别注意安全，防止利边划伤手指。
- 某些零件表面需贴水贴纸，请选择在装配的同时进行。
- 推荐模型工具(自备)：胶水，水口剪刀，长咀钳，刀片，锉刀，镊子，钳，钻，剪刀，瞬间快干胶。
- 软布同砂纸同时也应该是必备工具。
- 请使用塑料胶水和油漆，模型内不含。



配重
Weight



使用强力胶
Cyanoacrylate glue



钻孔
Make hole



切除
Cut / Remove



贴纸
Decal



锉平
File / Sand



选择
Option



不涂胶水
No cement



弯曲
Bend

水贴纸的使用:

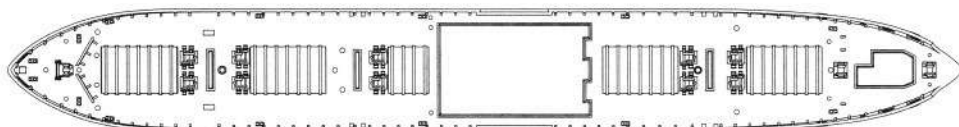
- 1.从水贴上剪下印花;
- 2.将印花放入温水中浸10秒,然后放在干净布上。
- 3.拿着印花纸板将印花移到模型上;
- 4.手指蘸水将印花移到适当的位置;
- 5.用软布轻压印花直至水干,汽泡消失

DECAL APPLICATION

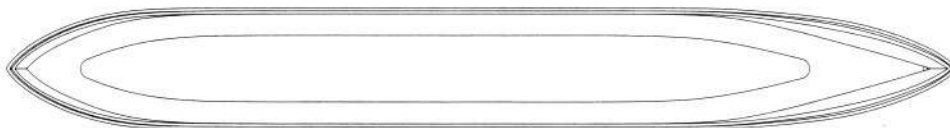
- 1.Cut decals from sheet as needed
- 2.Dip the decal in warm water for about 10 seconds and then place on soft clean cloth.
- 3.Hold the decal backing sheet edge and gently slide the decal onto the model in its proper position.
- 4.While still wet,decal can be adjusted for better fit on model by dampening it gently with your finger.
- 5.When placed in the proper position,gently press decal down with a soft cloth until excess water and air bubbles are gone.
- 6.Allow decal to dry completely before handling model

部品图 Parts

甲板
Deck



上船体
Upper hull



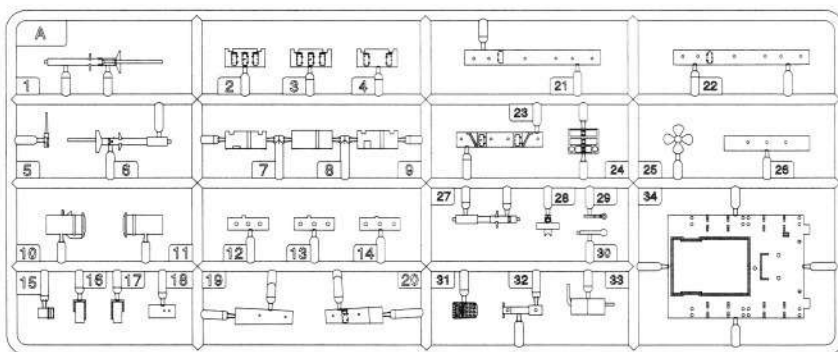
水线板
Waterline plate



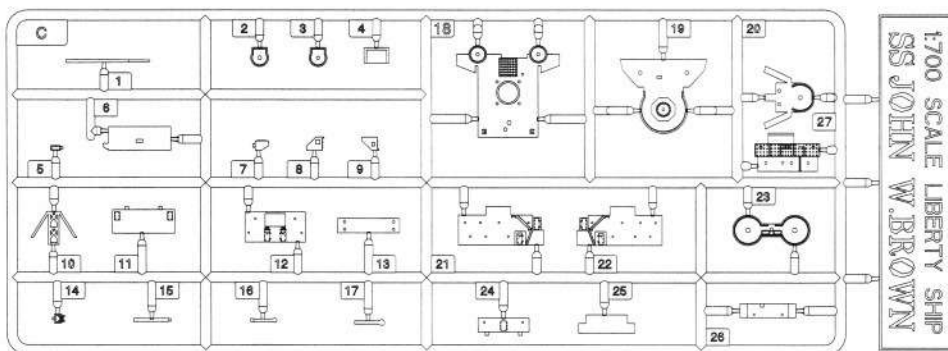
下船底
Lower hull



A

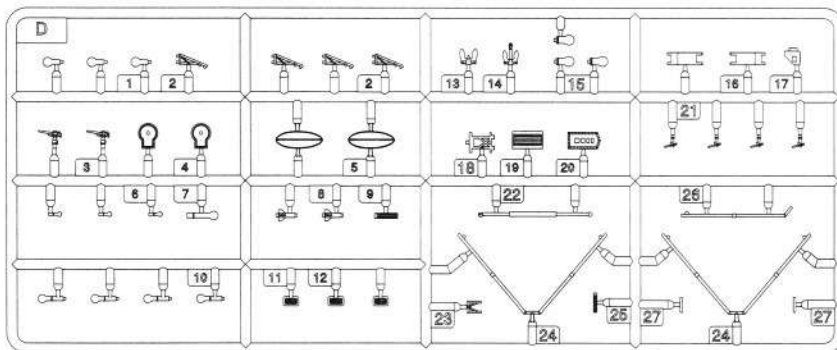


C



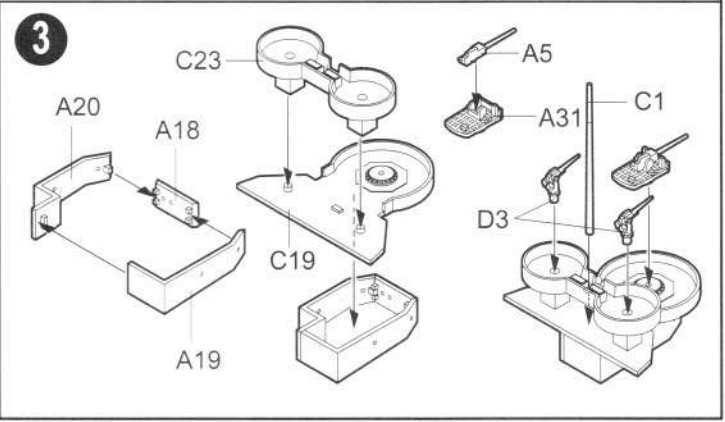
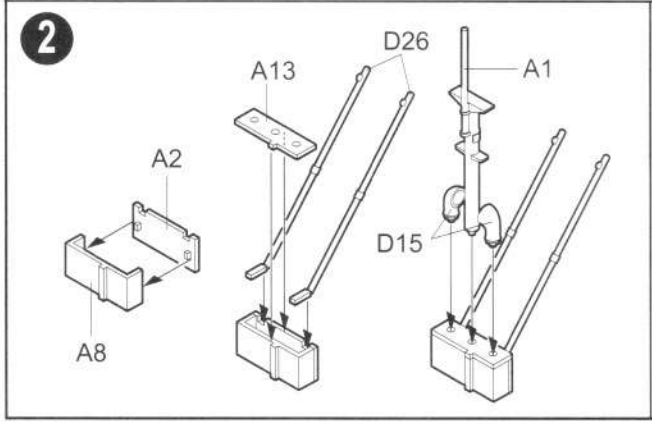
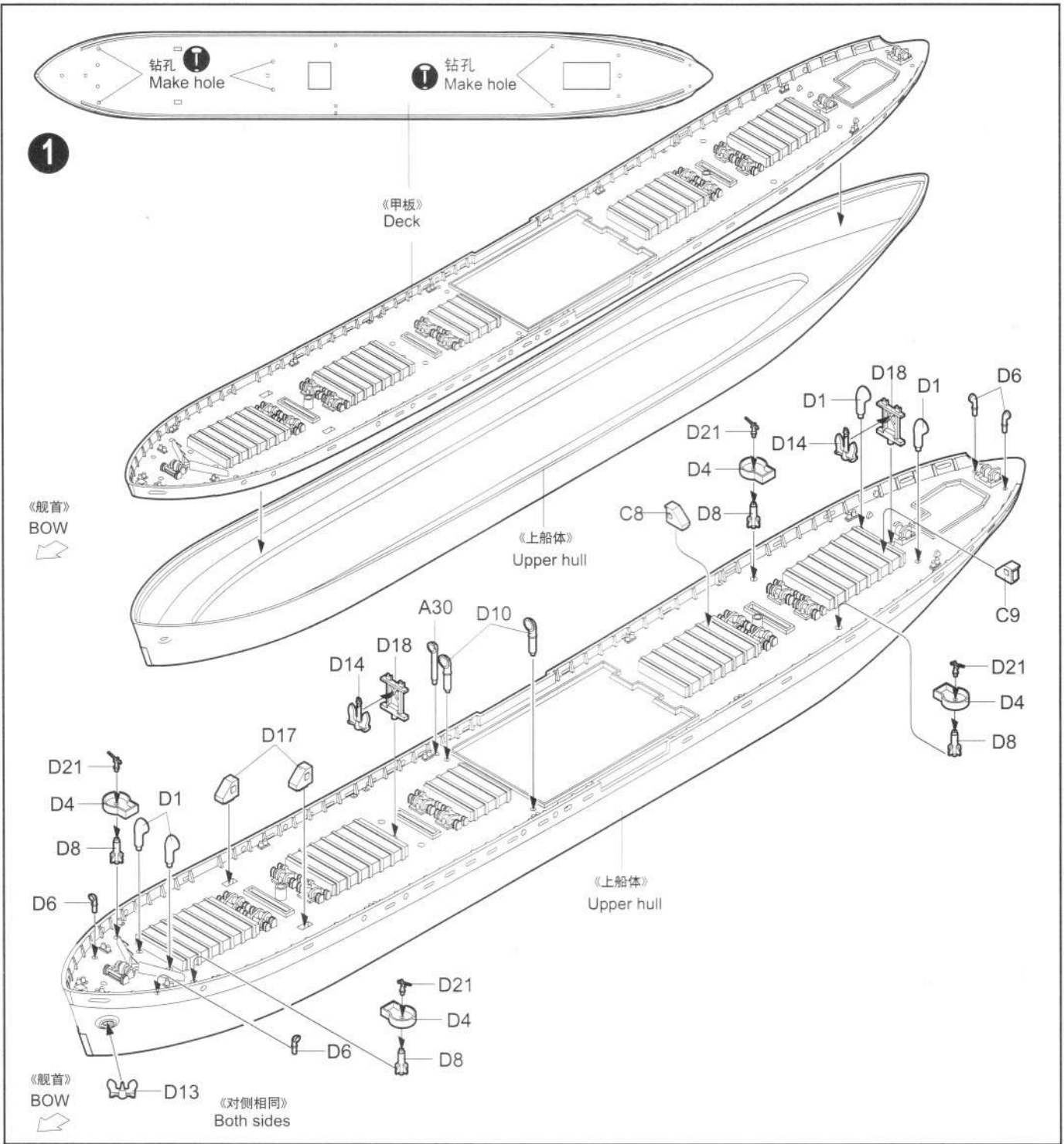
1:700 SCALE LIBERTY SHIP
SS JOHN W. BROWN

D×2

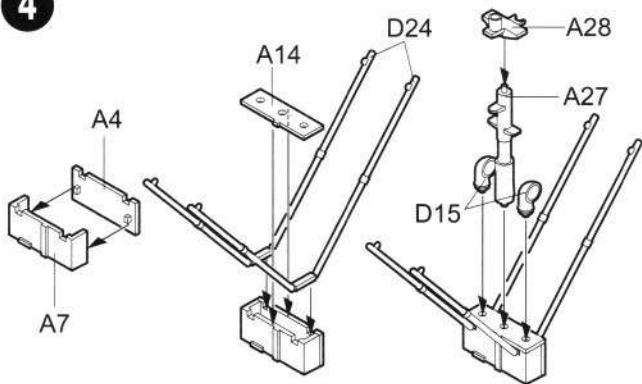


JOHN W. BROWN
1
JOHN W. BROWN
2
3
4
5
JOHN W. BROWN
6
05756 1/700
S.S John W. Brown Liberty ship

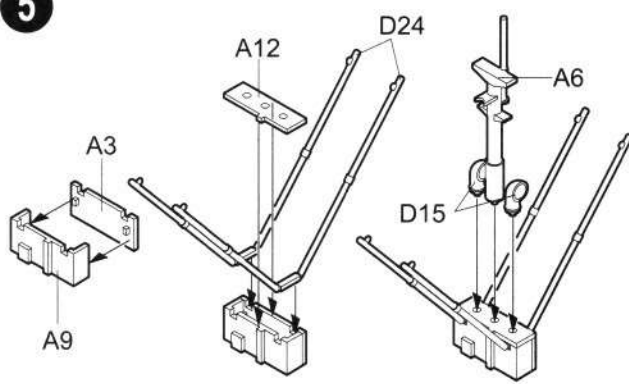
《水贴纸》
Decal



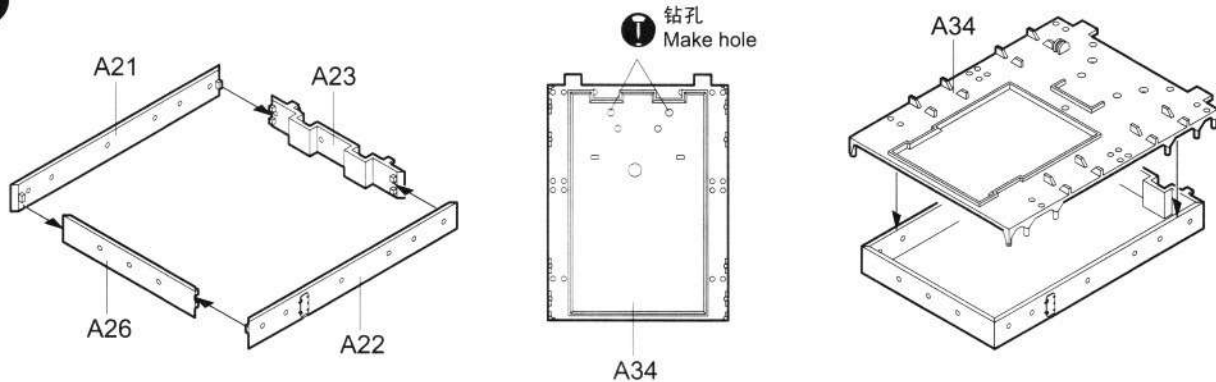
4



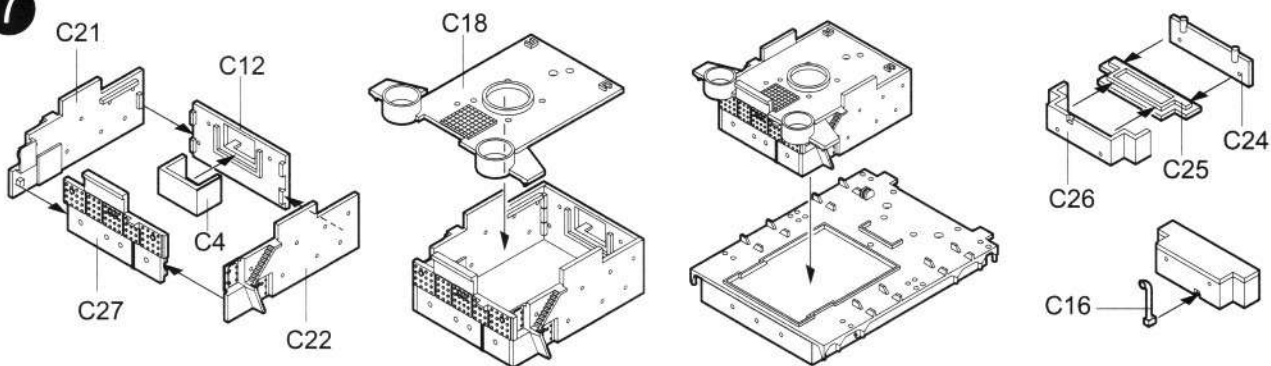
5



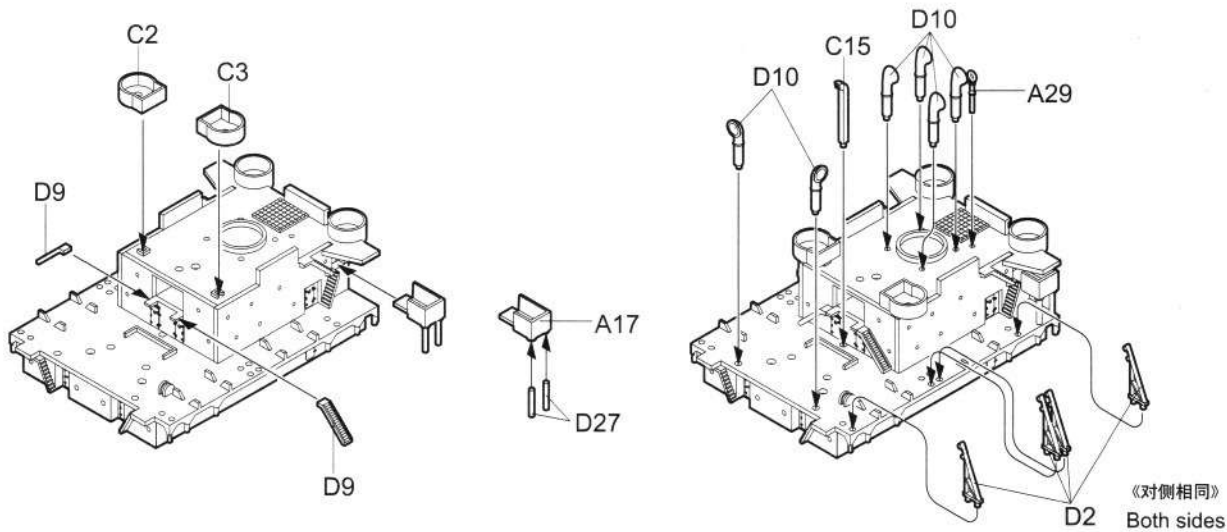
6



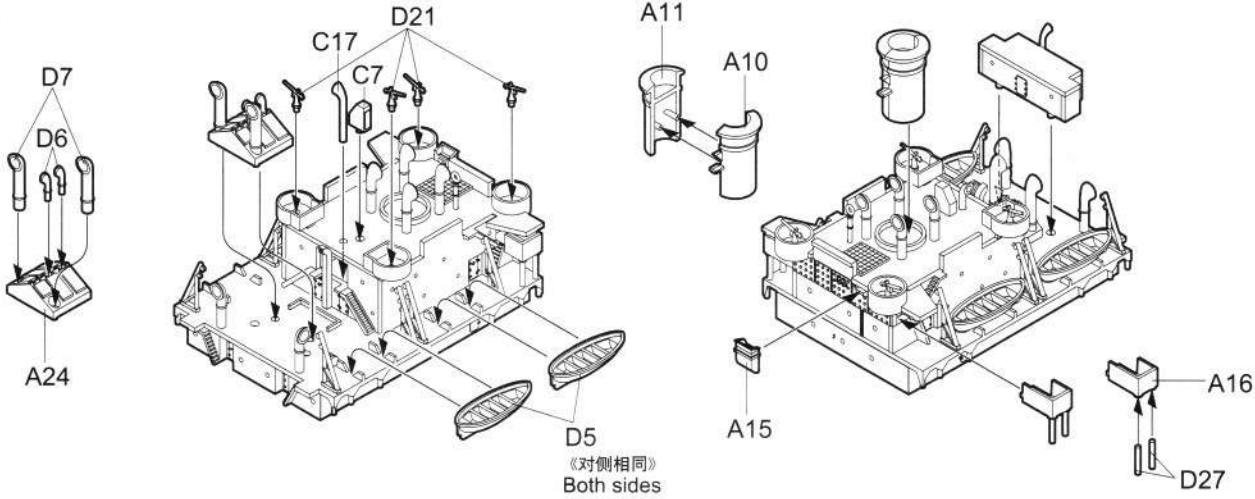
7



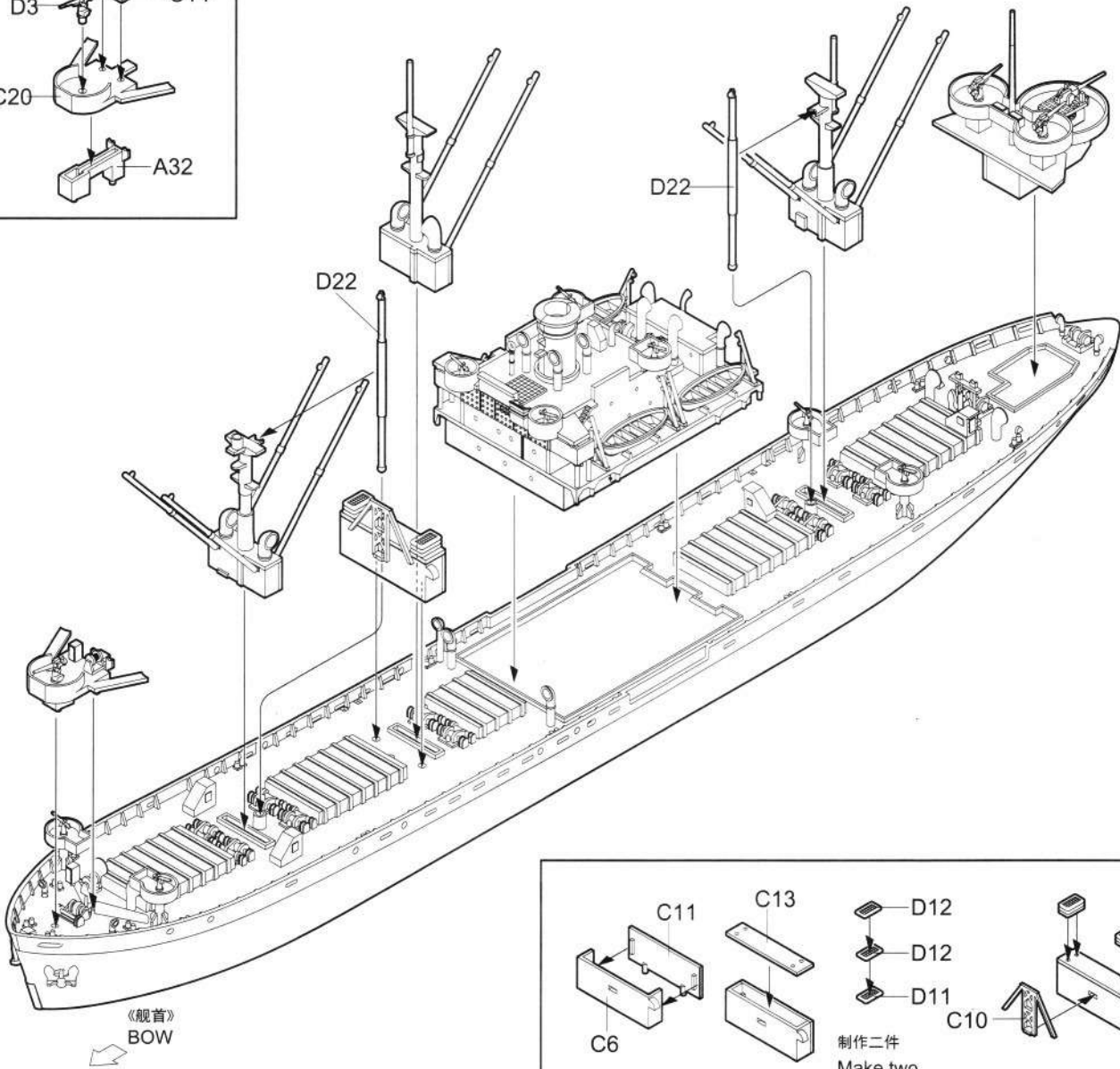
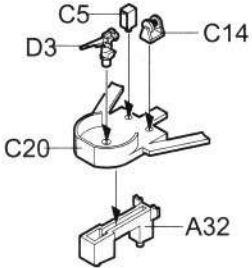
8



9

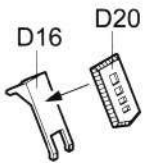


10

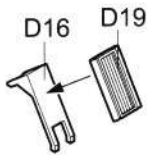


制作二件
Make two

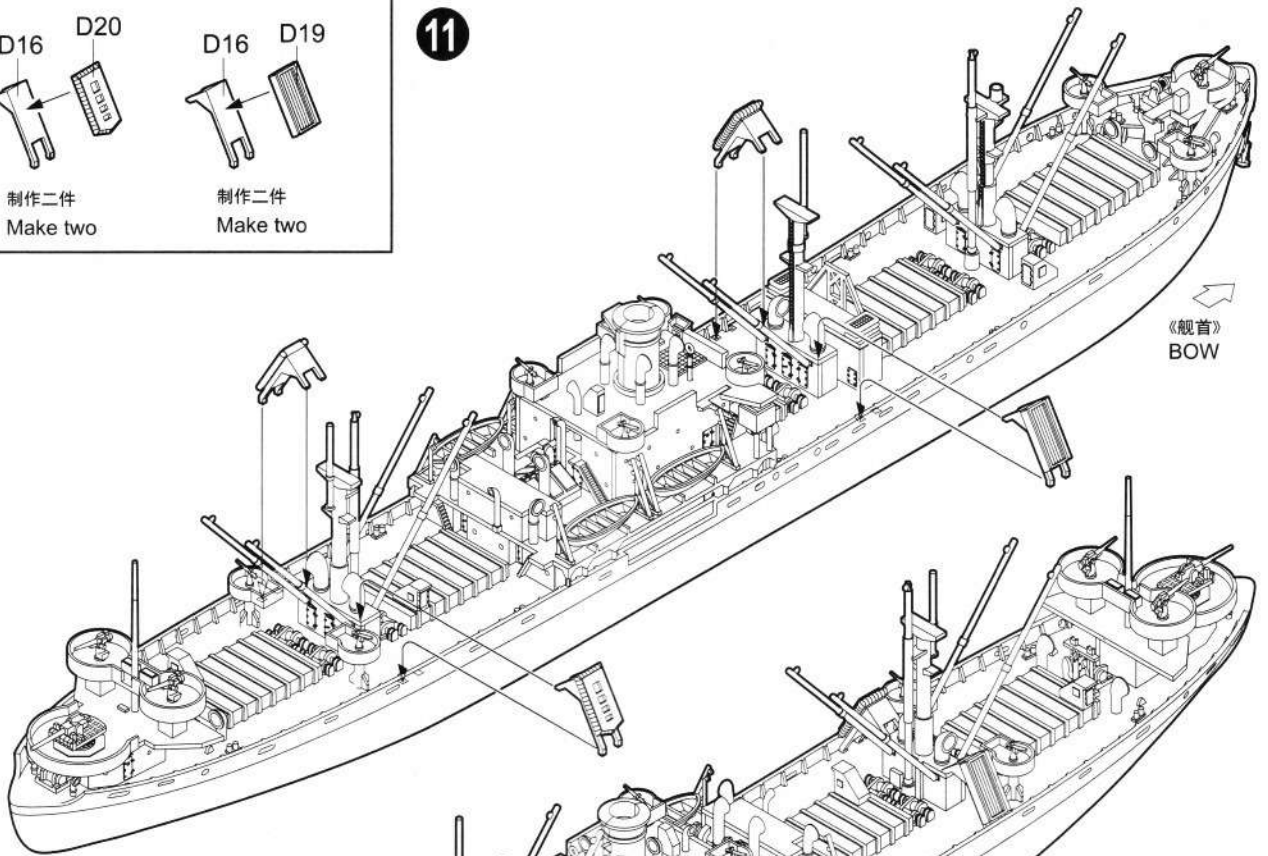
11



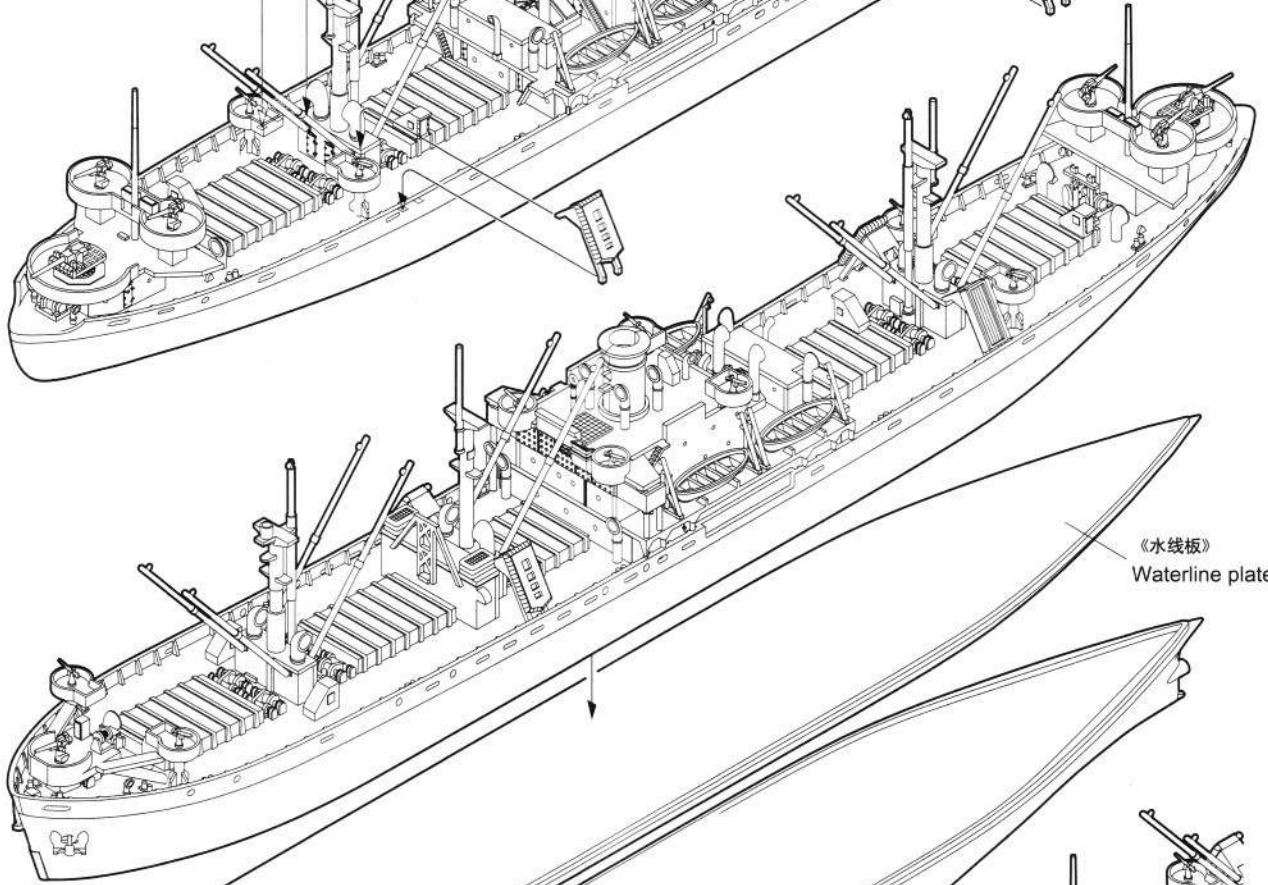
制作二件
Make two



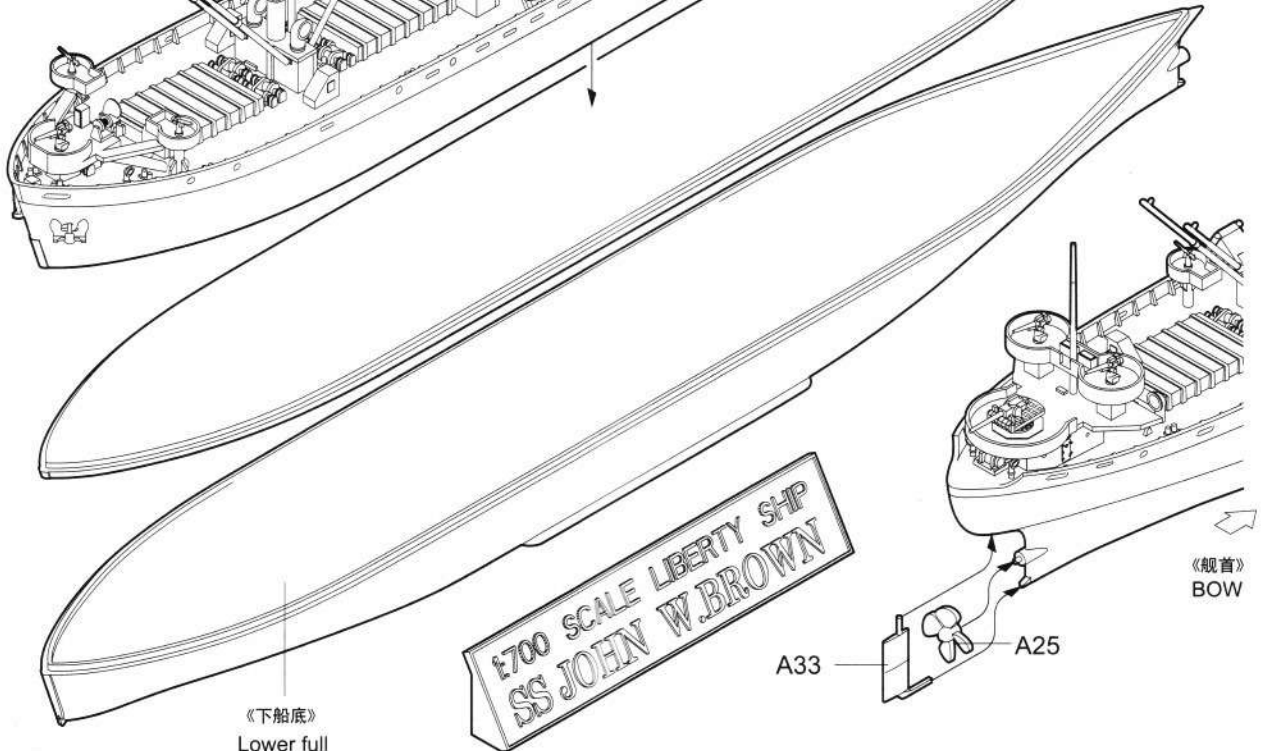
制作二件
Make two



《舰首》
BOW



《水线板》
Waterline plate



《下船底》
Lower full

E700 SCALE LIBERTY SHIP
SS JOHN W. BROWN

A33

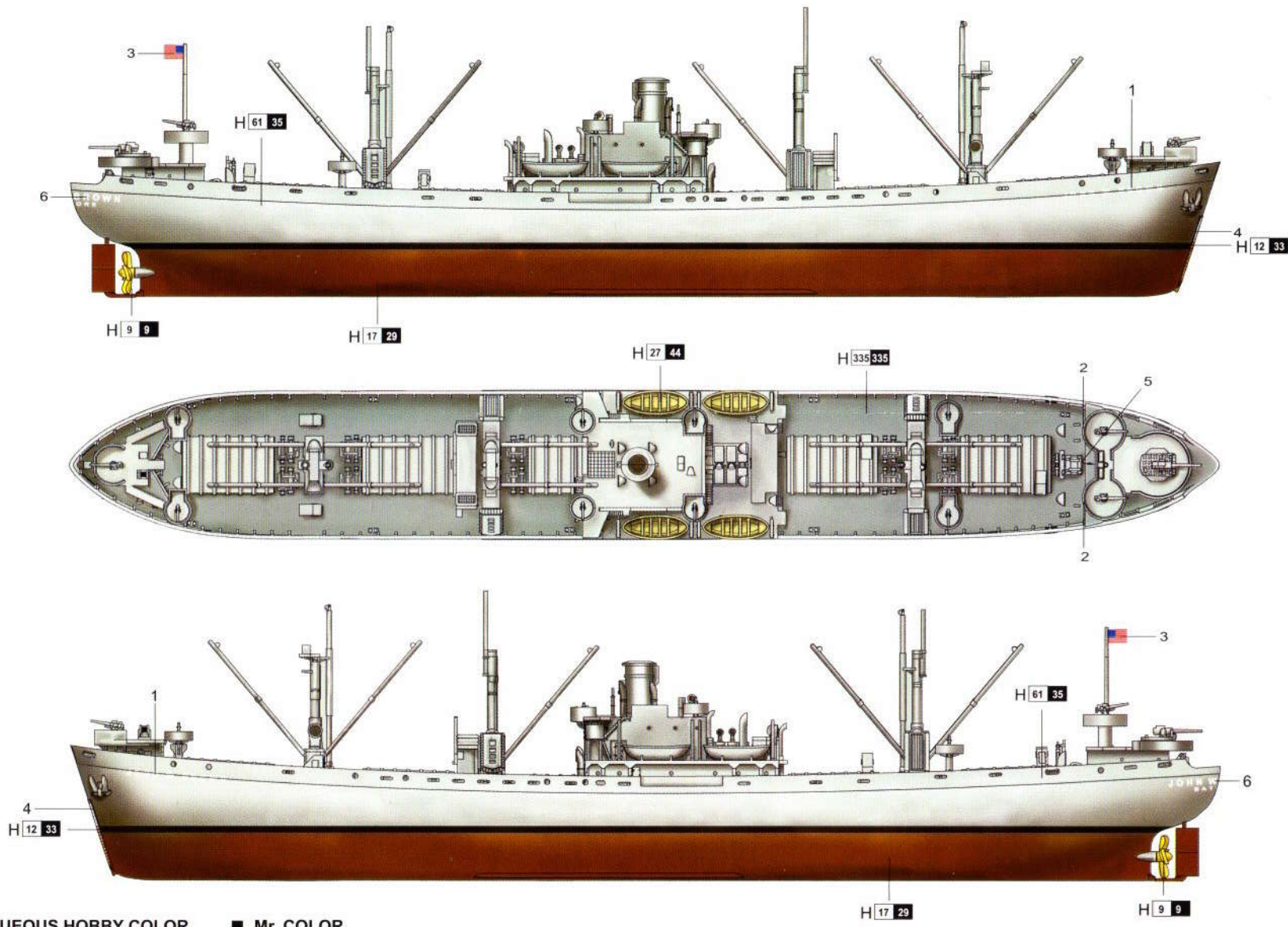
A25

《舰首》
BOW

涂装同标贴指示 Painting & Marking guide

PAINT REFERENCE COLOUR

Color	Mr.Hobby	Vallejo	Model Master	Tamiya	Humbrol	Color	Mr.Hobby	Vallejo	Model Master	Tamiya	Humbrol
Gold 金色	H 9 9	878	1744	X12	16	Light Grey 浅灰色	H 61 35	907	1731	-	146
Cocoa Brown 赭底红	H 17 29	985	-	XF9	177	Tan 黄褐色	H 27 44	981	-	-	9
Tire Black 消光黑	H 12 33	950	1749	XF1	133	Medium Seagray 中性灰蓝色	H 335 335	992	2727	-	156



H □ AQUEOUS HOBBY COLOR ■ Mr. COLOR



05756 1/700
S.S john W.brown Liberty ship