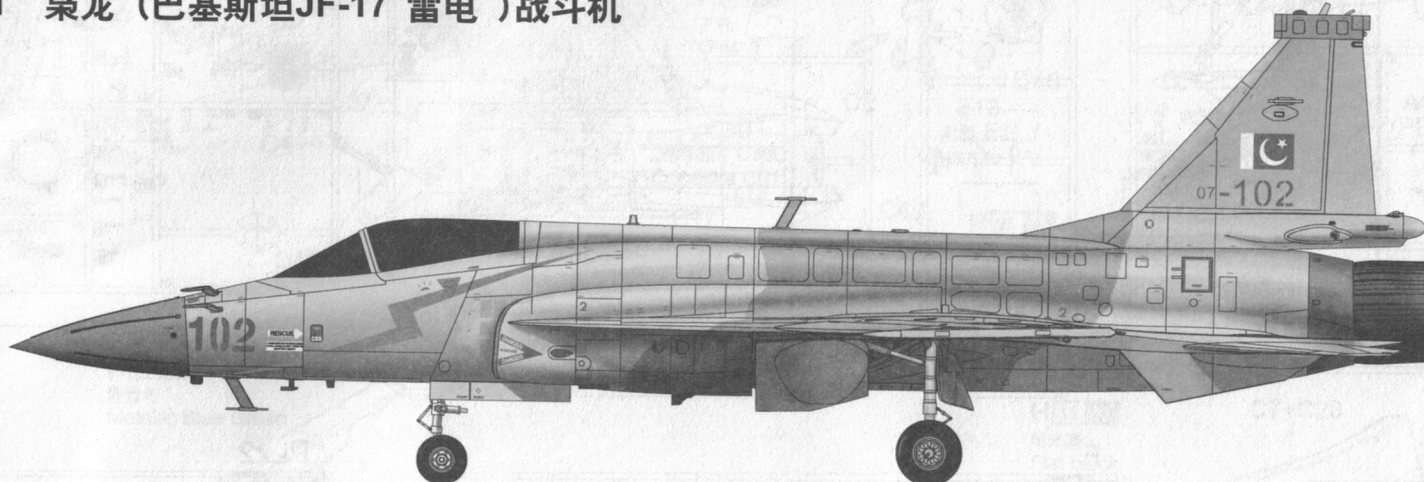


Chinese FC-1 Fierce Dragon (Pakistani JF-17 Thunder)

中国FC-1“枭龙”(巴基斯坦JF-17“雷电”)战斗机



READ BEFORE ASSEMBLY:

- Study and understand these instructions thoroughly before beginning assembly
- When needed, remove photo-etch parts carefully using a modeling knife or photo etch sprue cutter, being careful not to damage or lose small parts.
- Take extra care in handling photo etch parts in order to avoid injury
- Apply instant cement sparingly to photo etch parts where instructed

- Tools recommended(not included in kit):Plastic and instant cements,sprue cutters,long nose pliers,modeling knife, small files, tweezers, pin vise & scissors. Soft cloth and sandpaper will also assist in construction
- Glue and paint are not included in the kit. Use plastic cement and hobby paints only. Color guide for purchasing paint is included in the kit.

装配之前仔细阅读

- 小心用模型锉刀锉平所有零件表面的注射浇口。
- 小心用刀片切下蚀刻片零件，不要遗失小零件。
- 用强力快干胶水粘合蚀刻片零件和金属轴。过量的快干胶水使用可能导致可动零件会粘住，小心涂胶。
- 取蚀刻片时应特别注意安全，防止利边划伤手指。
- 某些零件表面需贴水贴纸，请选择在装配的同时进行。
- 推荐模型工具(自备)：胶水，水口剪刀，长咀钳，刀片，锉刀，镊子钳，钻，剪刀，瞬间快干胶。
- 软布同砂纸同时也应该是必备工具。
- 请使用塑料胶水和油漆，模型内不含。

水贴纸的使用:

1. 从水贴纸上剪下印花;
2. 将印花放入温水中浸10秒，然后放在干净布上。
3. 拿着印花纸板将印花移到模型上;
4. 手指蘸水将印花移到适当的位置;
5. 用软布轻压印花直至水干，气泡消失。

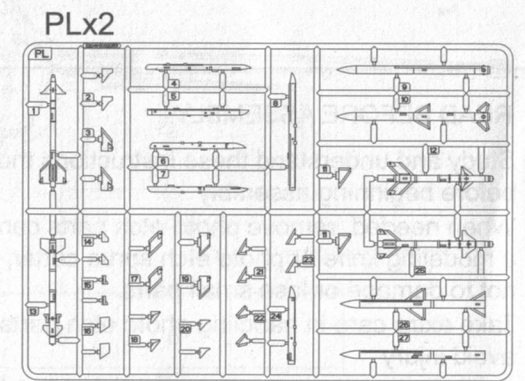
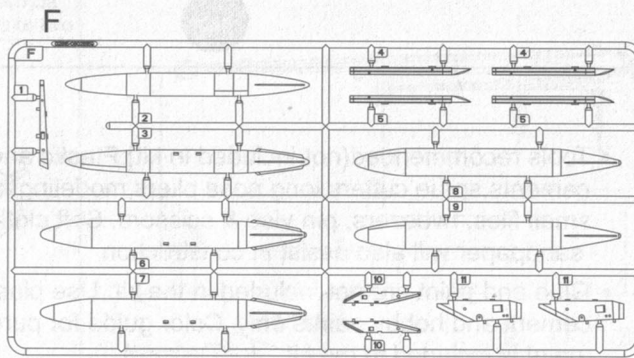
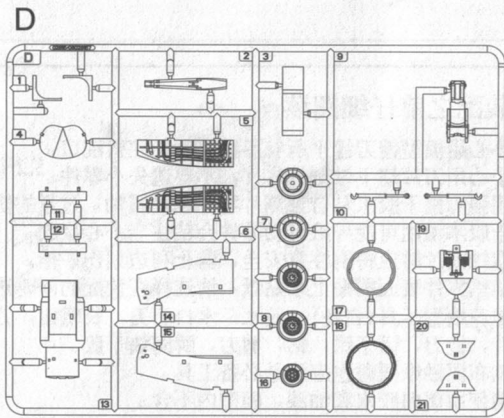
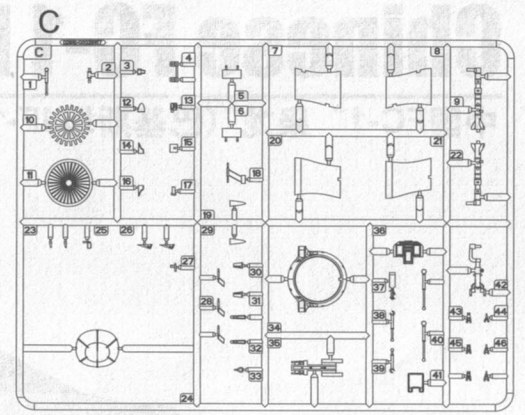
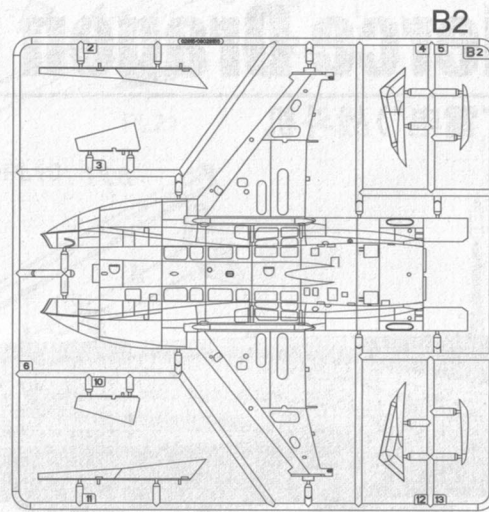
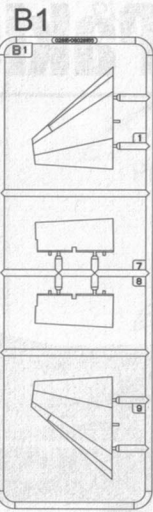
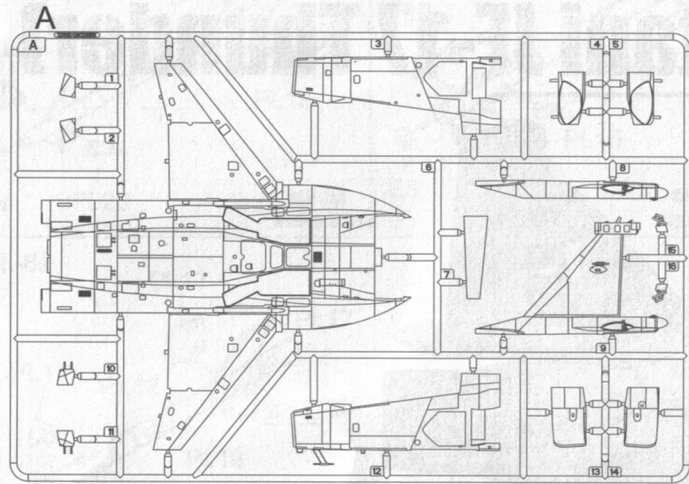
DECAL APPLICATION:

1. Cut decals from sheet as needed
2. Dip the decal in warm water for about 10 seconds and then place on soft clean cloth.
3. Hold the decal backing sheet edge and gently slide the decal onto the model in its proper position.

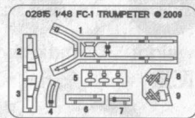
4. While still wet,decal can be adjusted for better fit on model by dampening it gently with your finger.
5. When placed in the proper position,gently press decal down with a soft cloth until excess water and air bubbles are gone.
6. Allow decal to dry completely before handling model



部品图
Parts



《蚀刻片》
Photo etched part (PE)



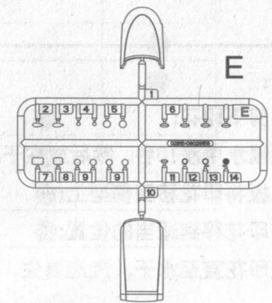
《水贴》 A
Decal A

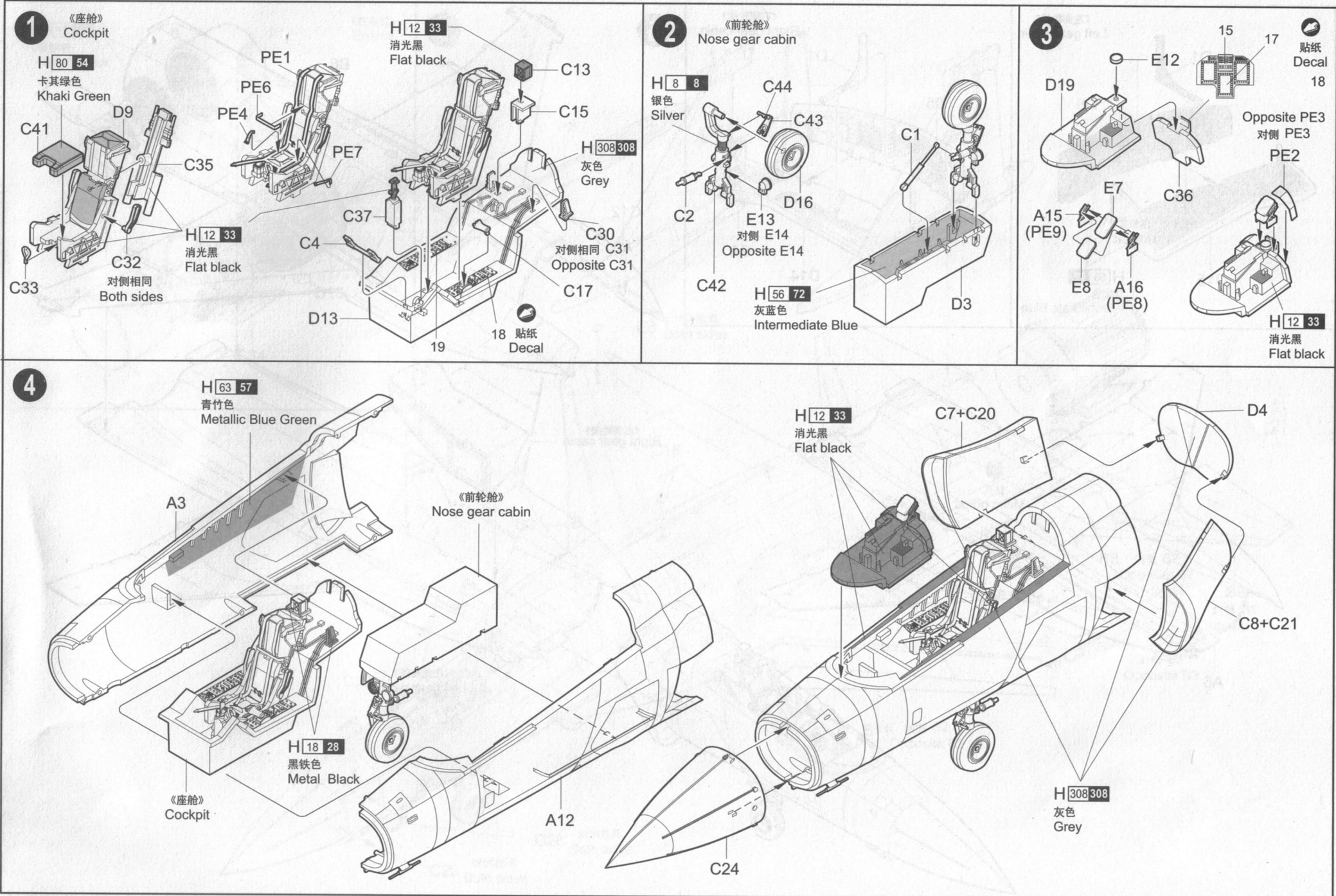


《水贴》 B
Decal B

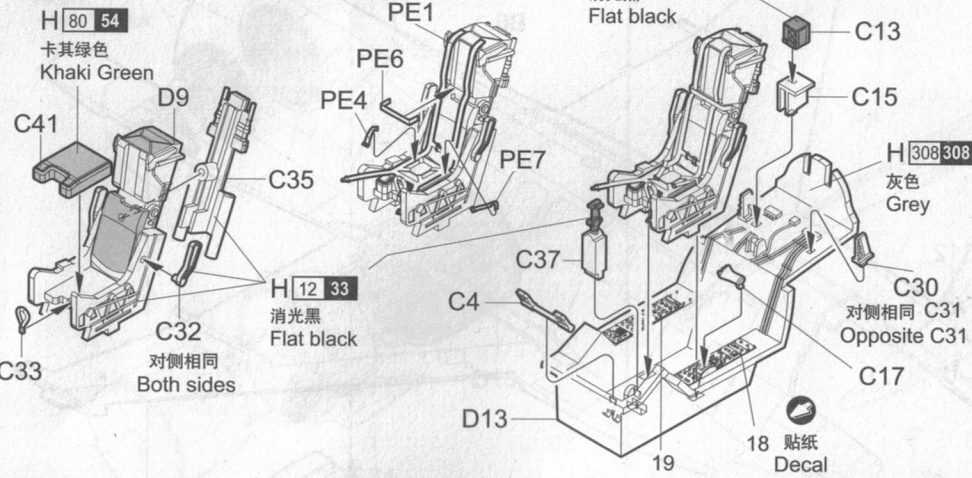


不用的部件: C25 PL5 PL6
Unused parts:

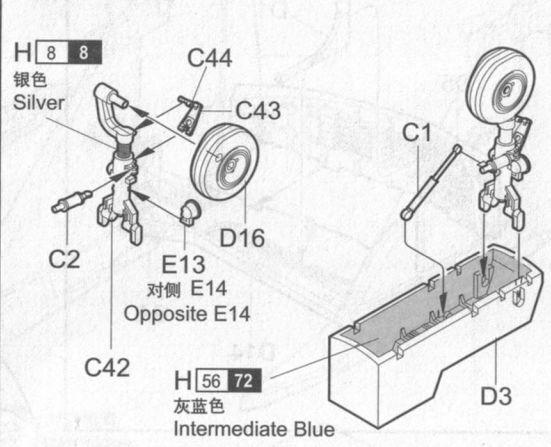




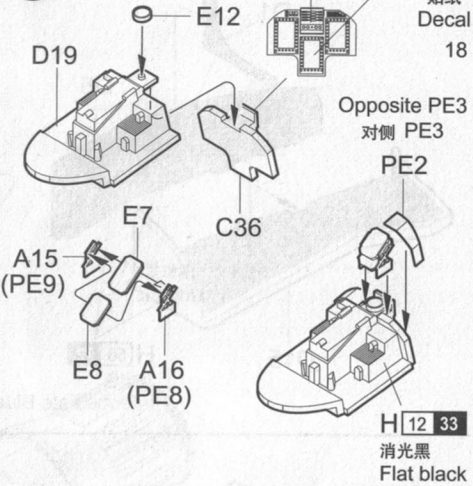
1 《座舱》
Cockpit



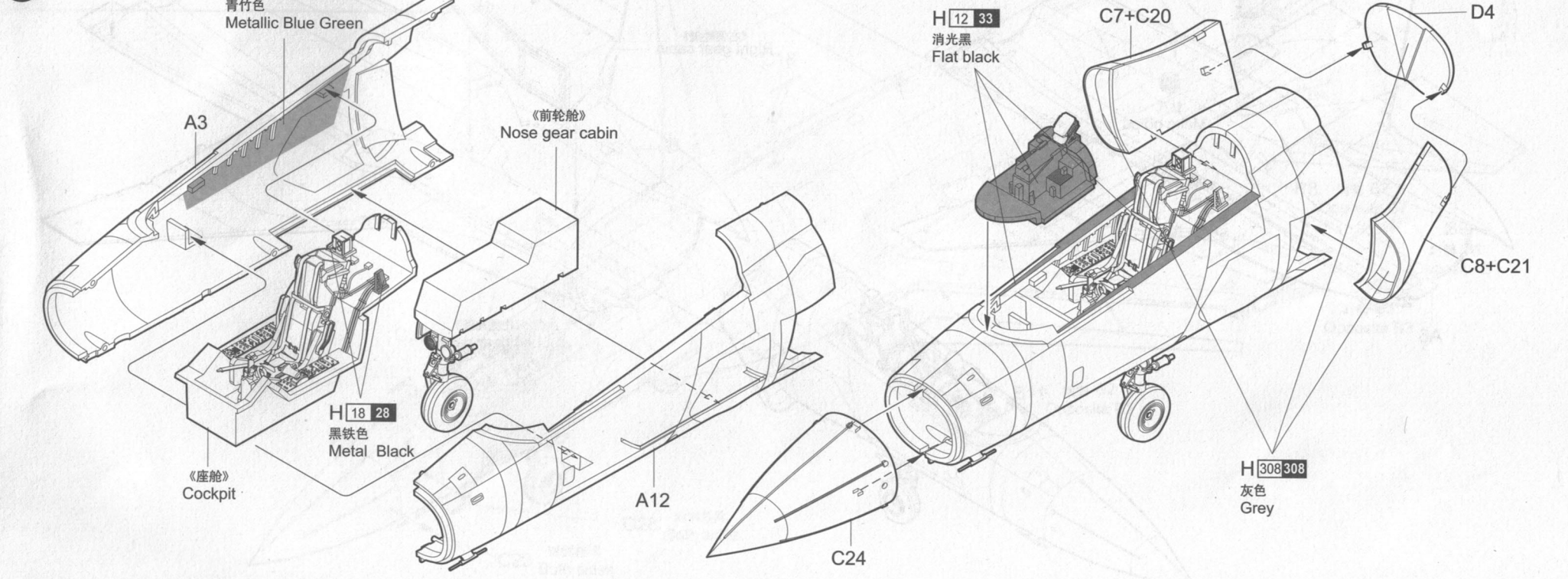
2 《前轮舱》
Nose gear cabin

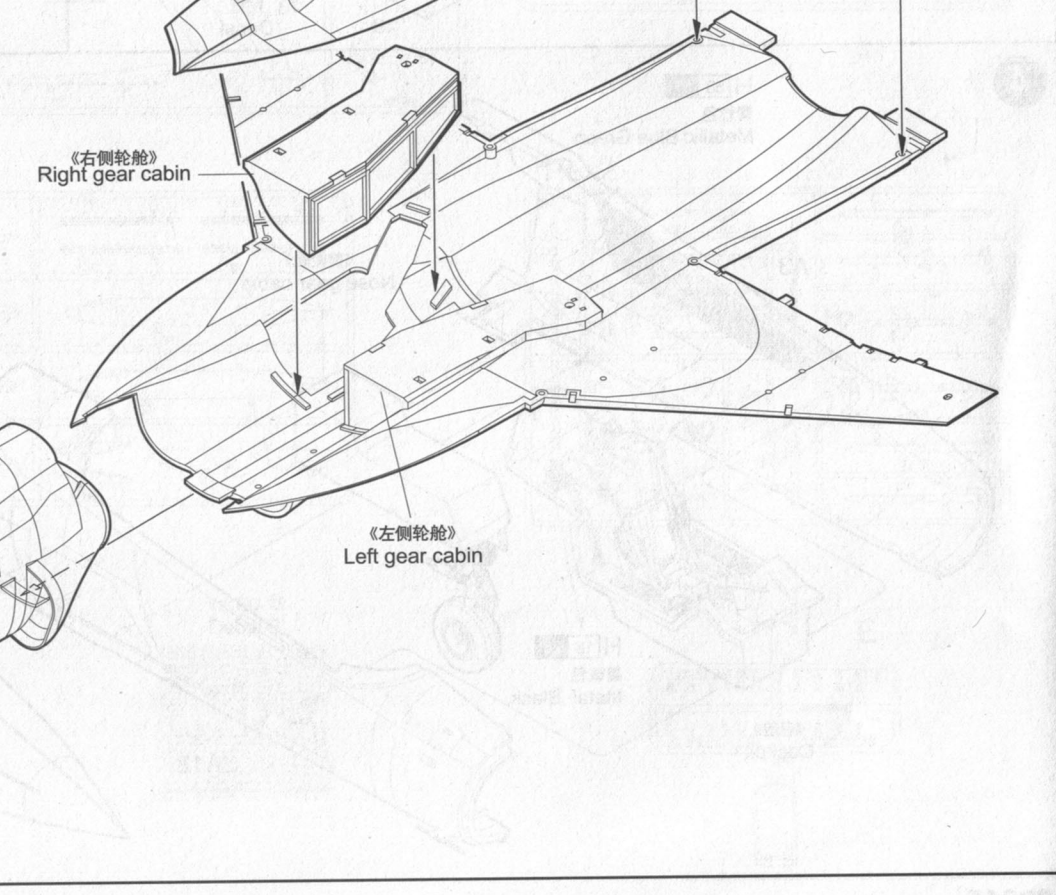
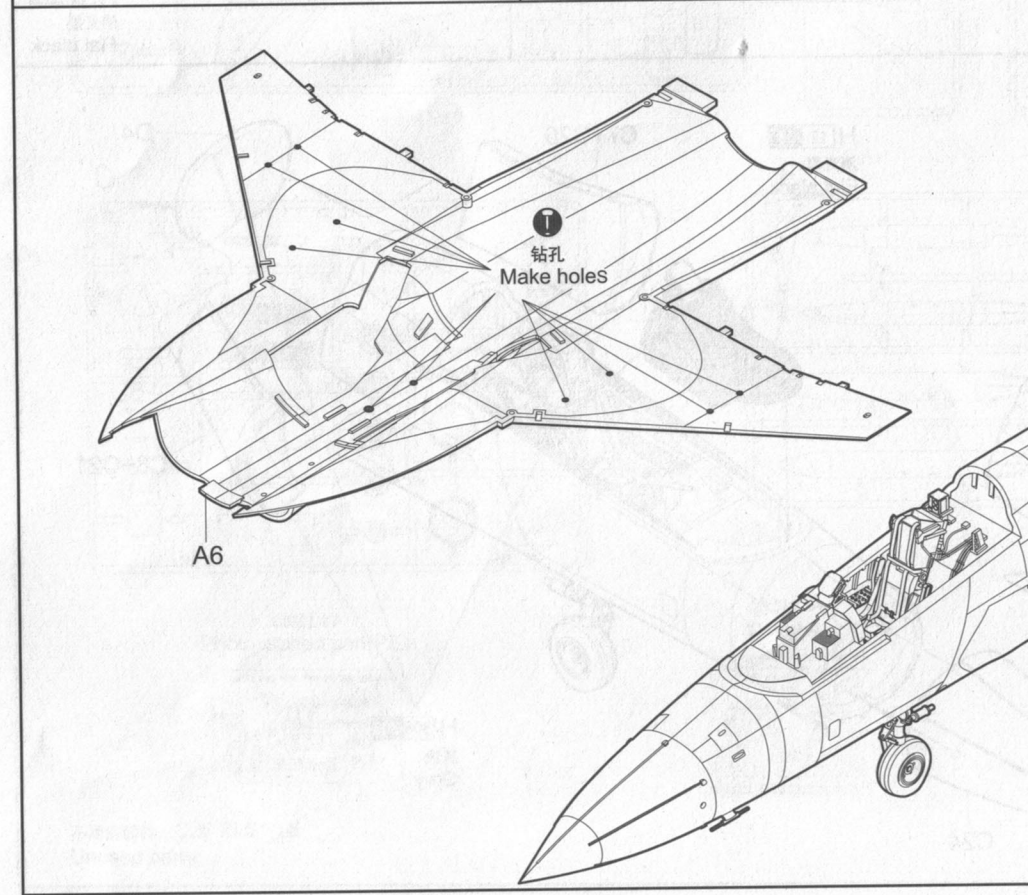
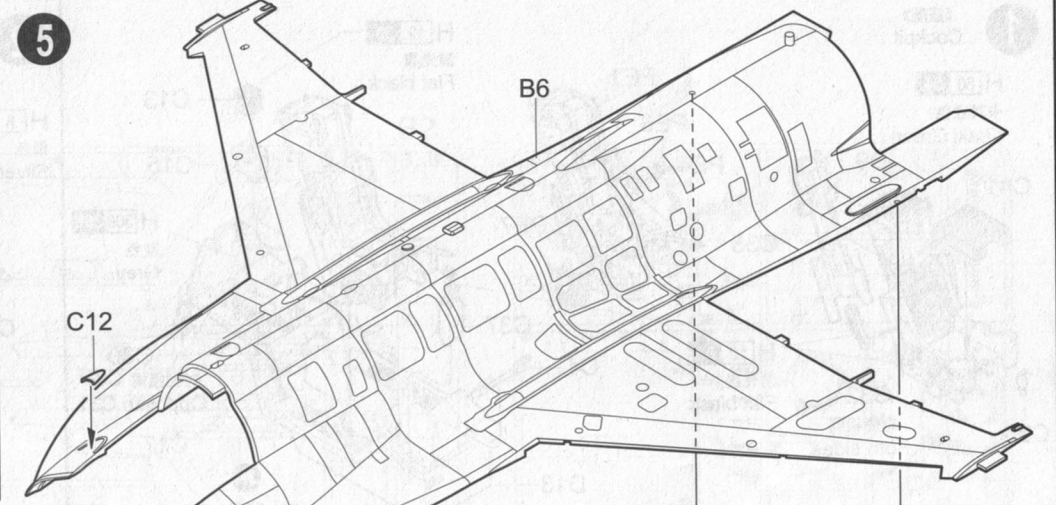
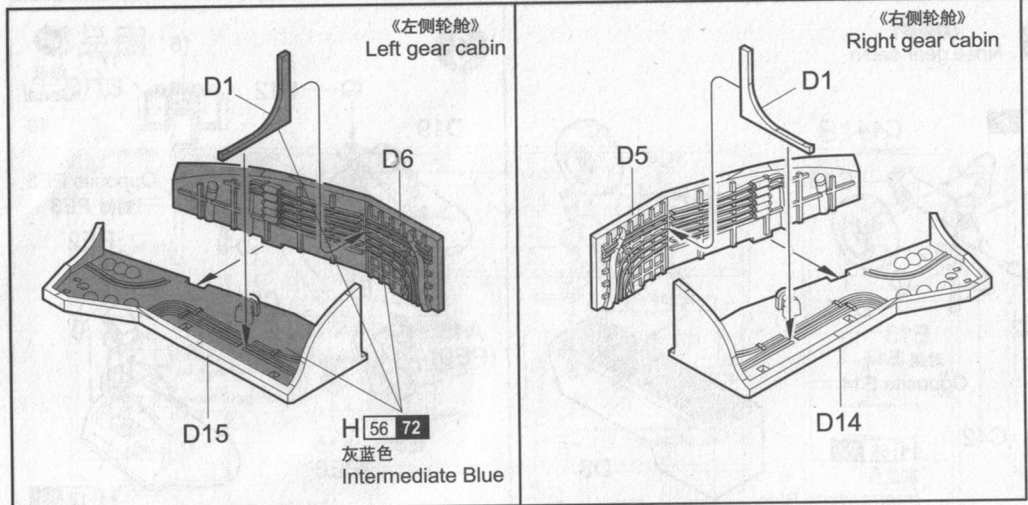


3 贴纸
Decal



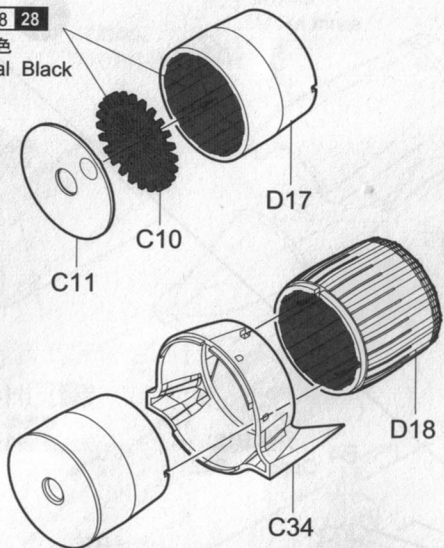
4 H 63 57
青竹色
Metallic Blue Green





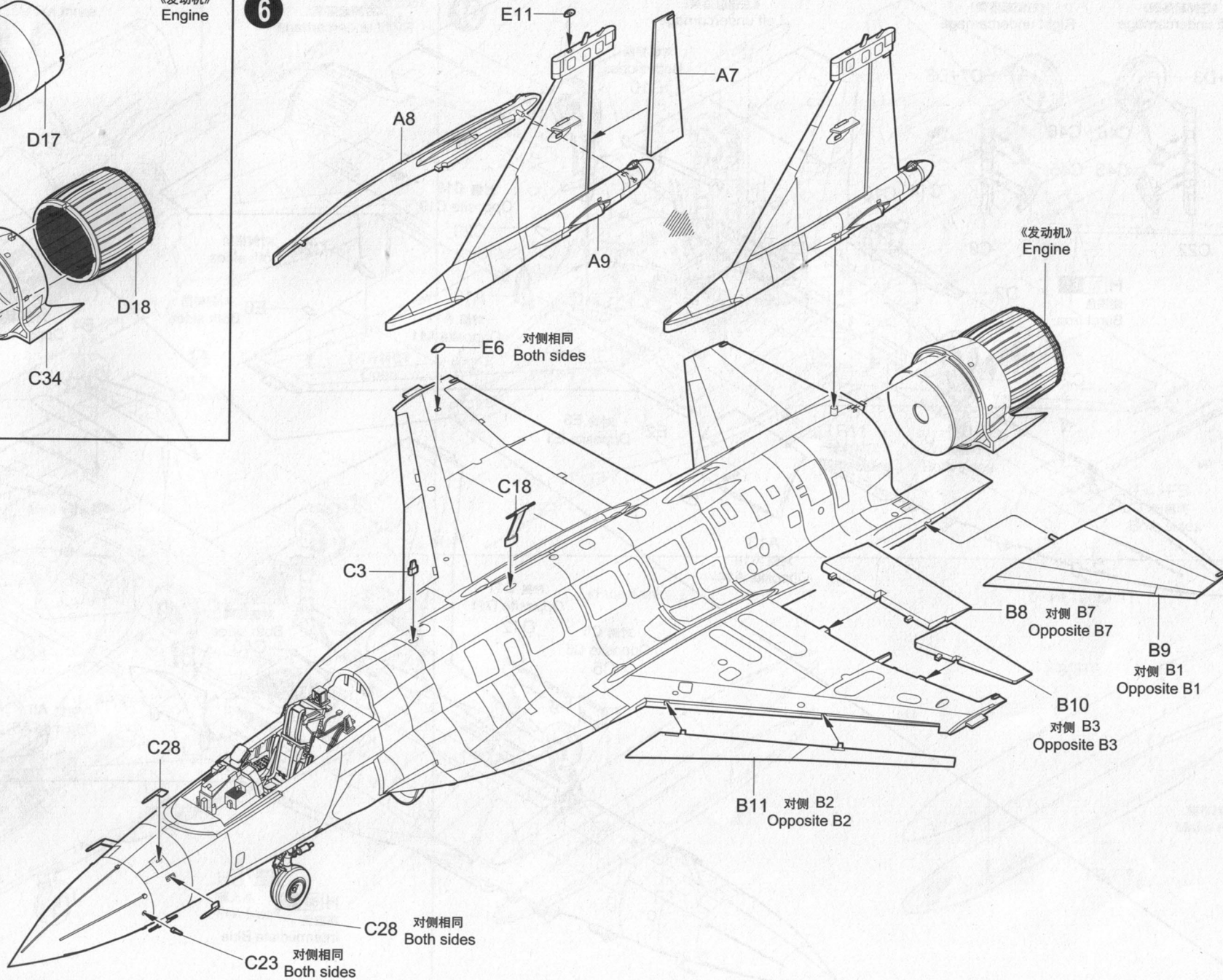
H 18 28

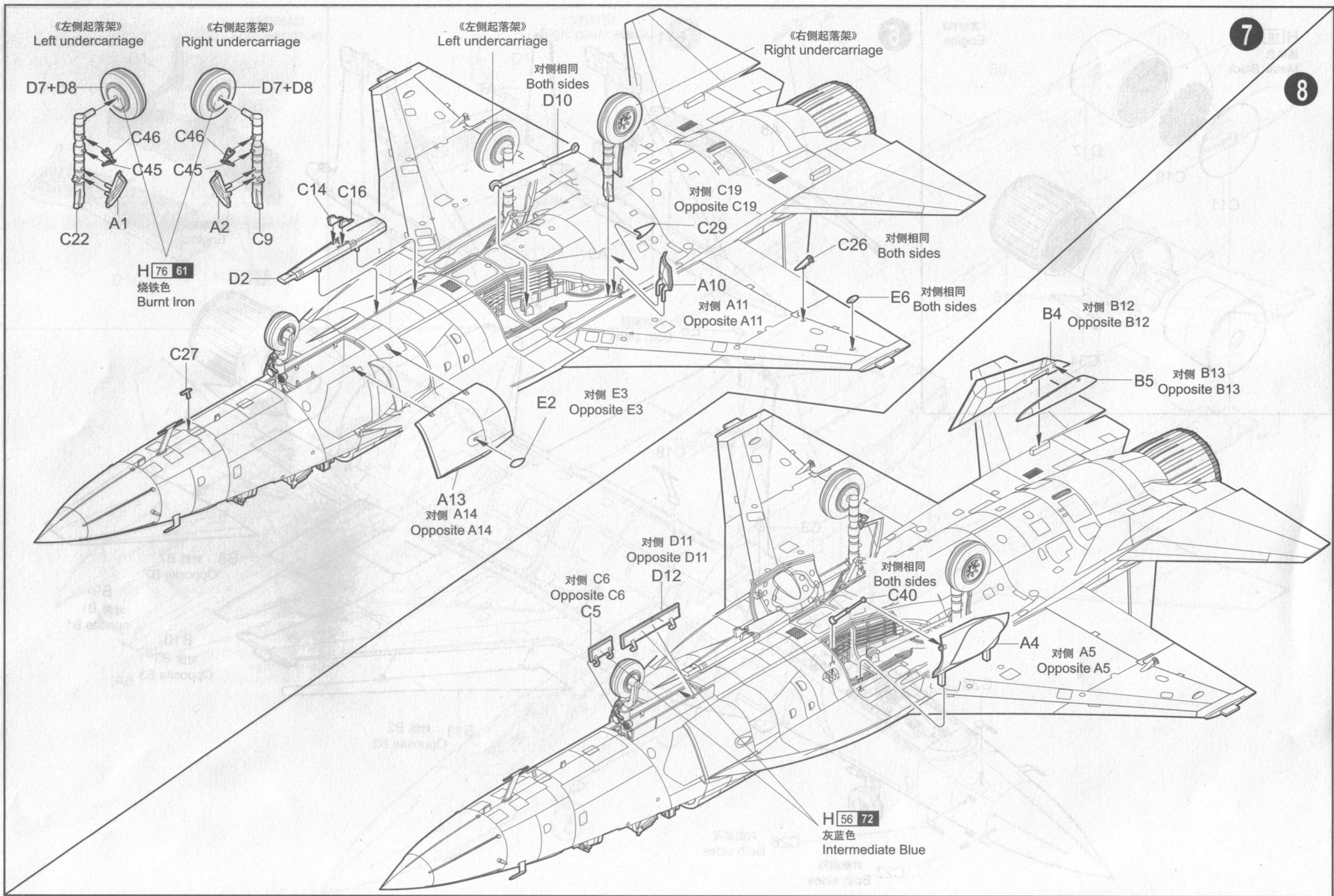
黑铁色
Metal Black



《发动机》
Engine

6





《左侧起落架》
Left undercarriage

《右侧起落架》
Right undercarriage

《左侧起落架》
Left undercarriage

《右侧起落架》
Right undercarriage

D7+D8

D7+D8

H 76 61
烧铁色
Burnt Iron

对侧相同
Both sides
D10

对侧 C19
Opposite C19

对侧相同
Both sides
C26

对侧相同
Both sides
E6

对侧 B12
Opposite B12
B4

对侧 B13
Opposite B13
B5

对侧 E3
Opposite E3
E2

A13
对侧 A14
Opposite A14

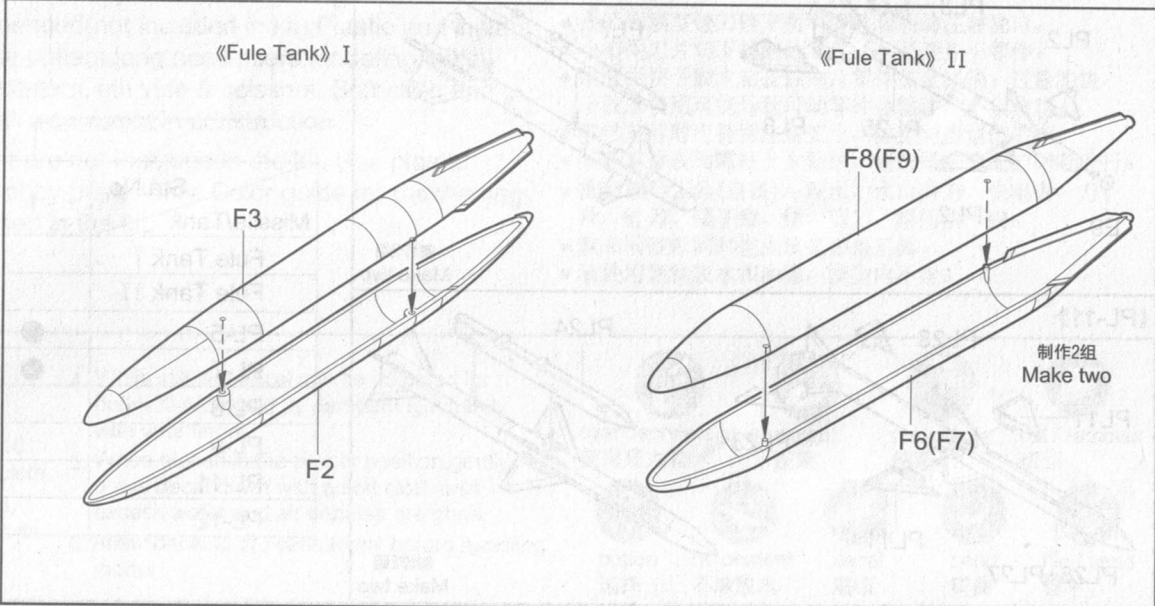
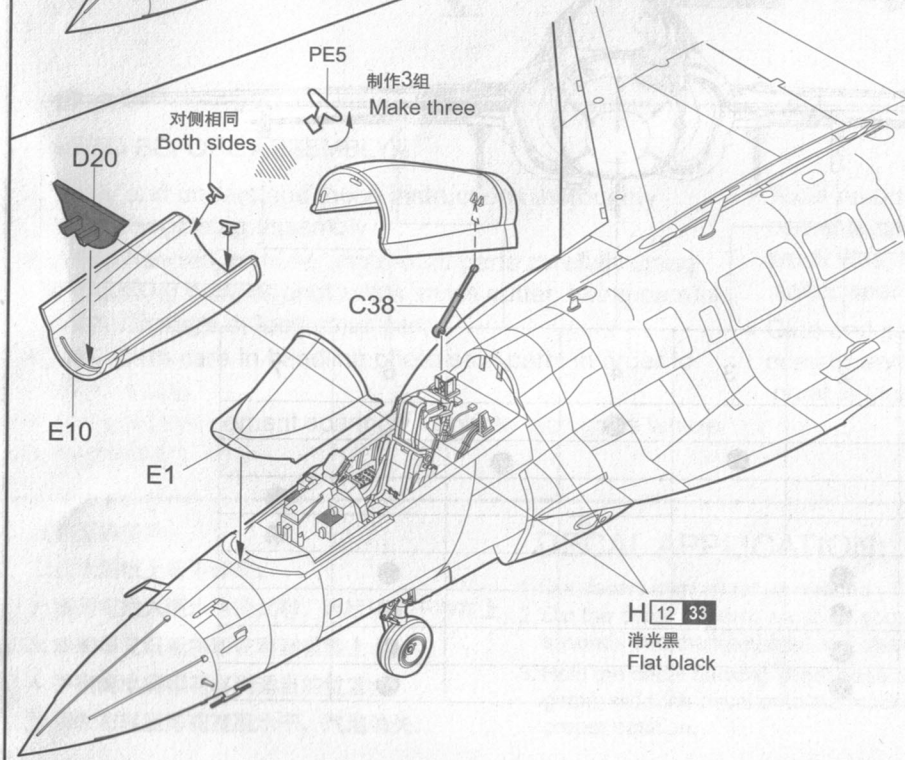
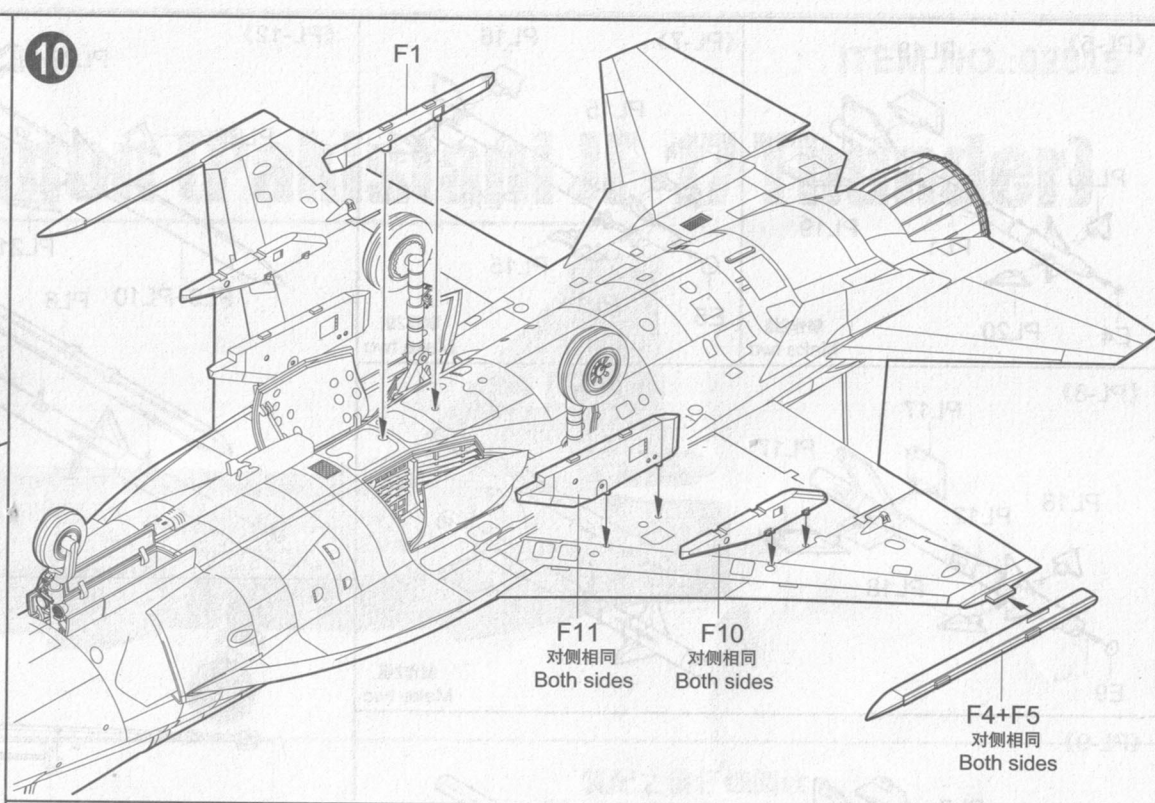
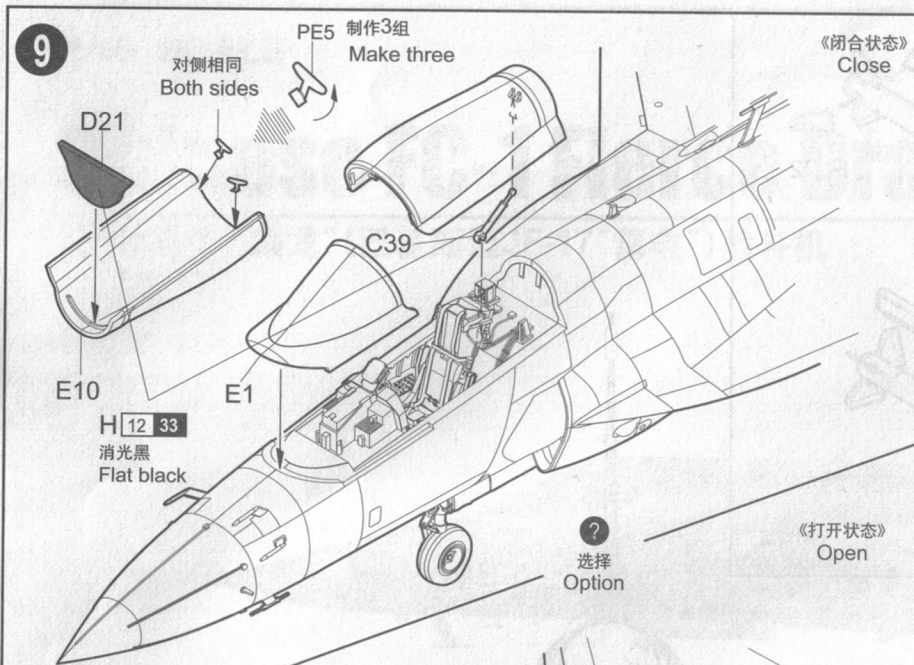
对侧 D11
Opposite D11
D12

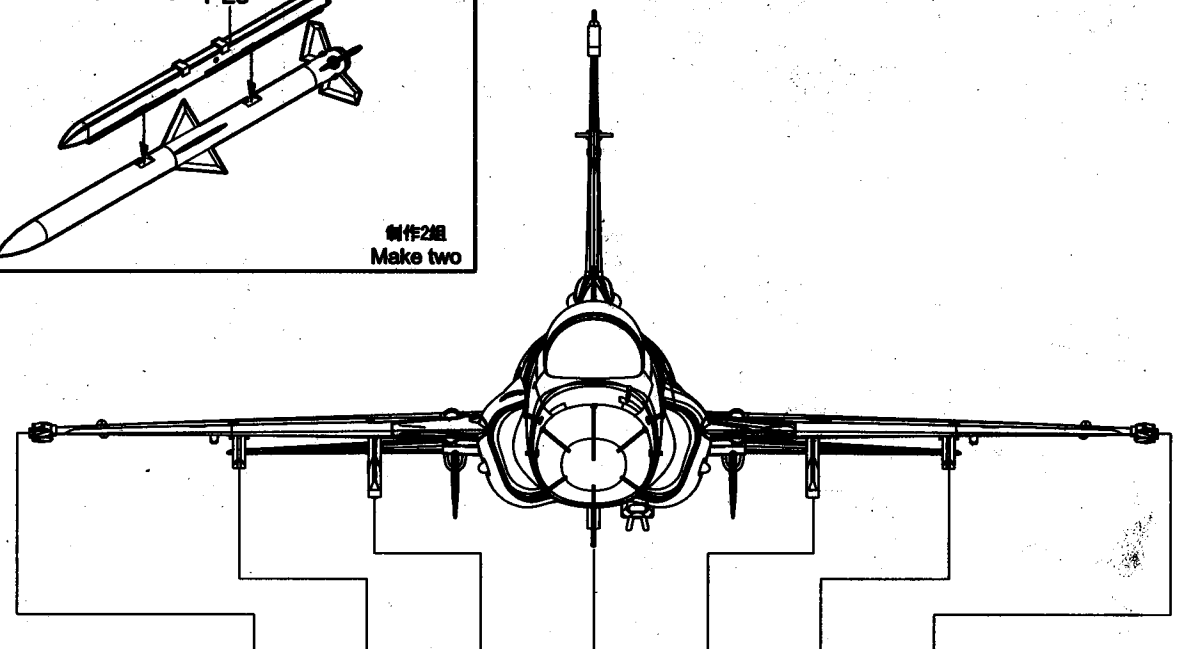
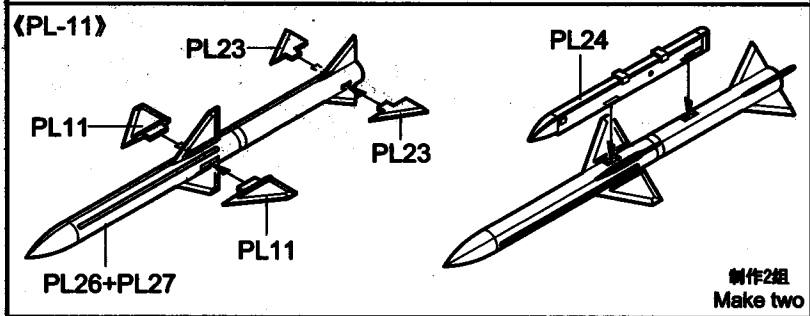
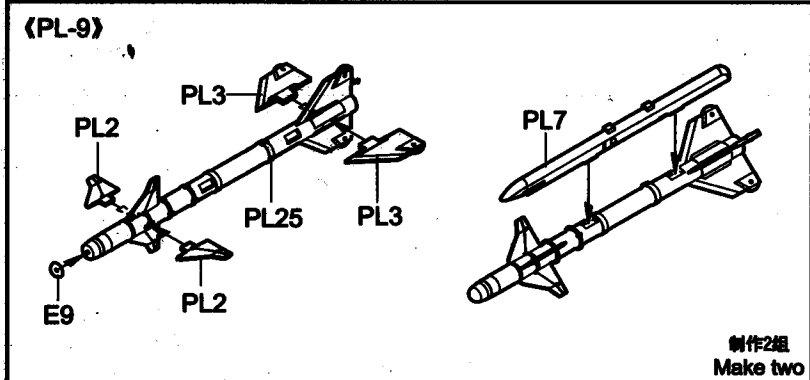
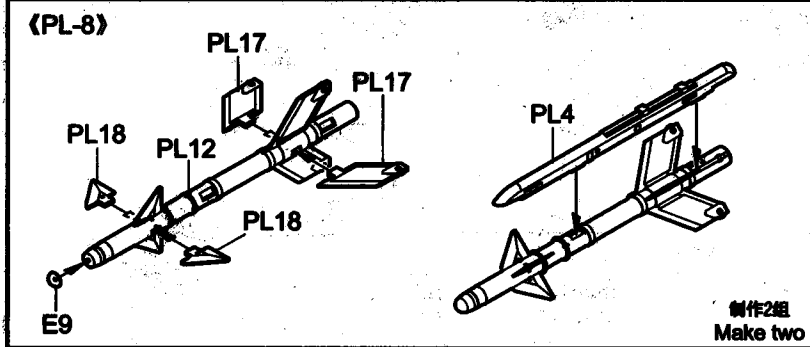
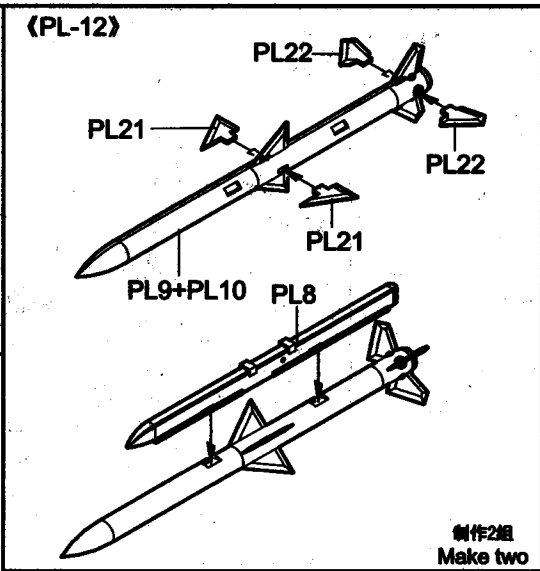
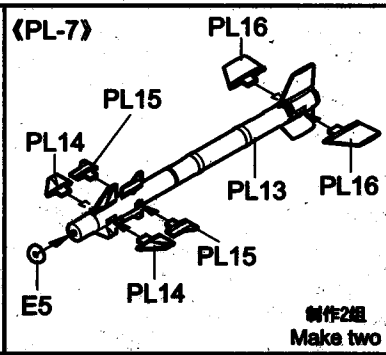
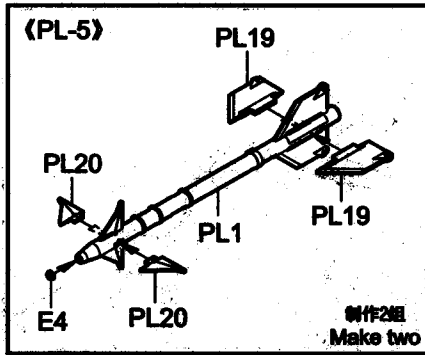
对侧 C6
Opposite C6
C5

对侧相同
Both sides
C40

对侧 A5
Opposite A5
A4

H 56 72
灰蓝色
Intermediate Blue



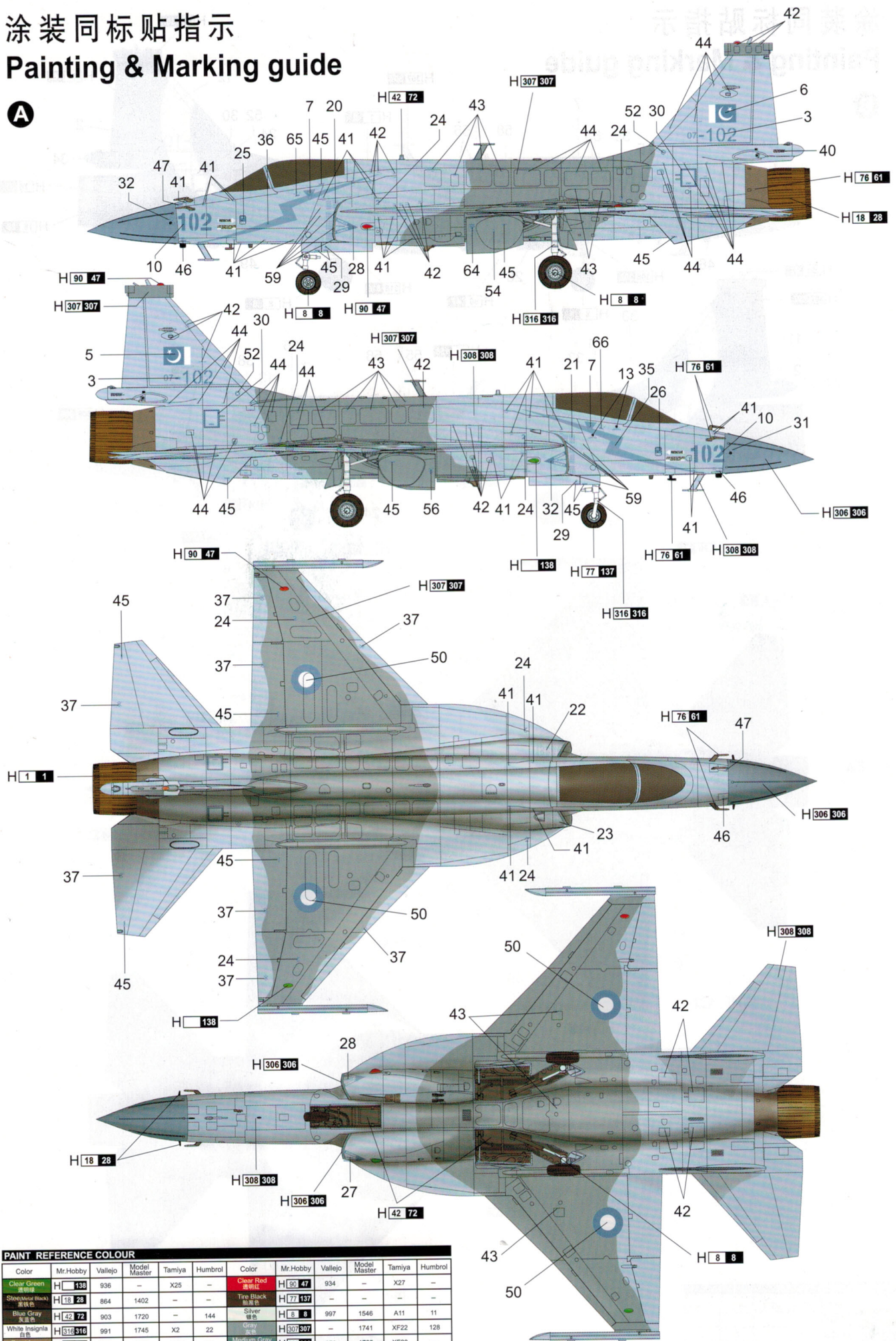


Sta.No.	1	2	3	4	5	6	7
Missile/Tank							
Fule Tank I				●			
Fule Tank II			●		●		
PL-5	●						●
PL-7	●						●
PL-8		●				●	
PL-9		●				●	
PL-11		●				●	
PL-12		●				●	

涂装同标贴指示

Painting & Marking guide

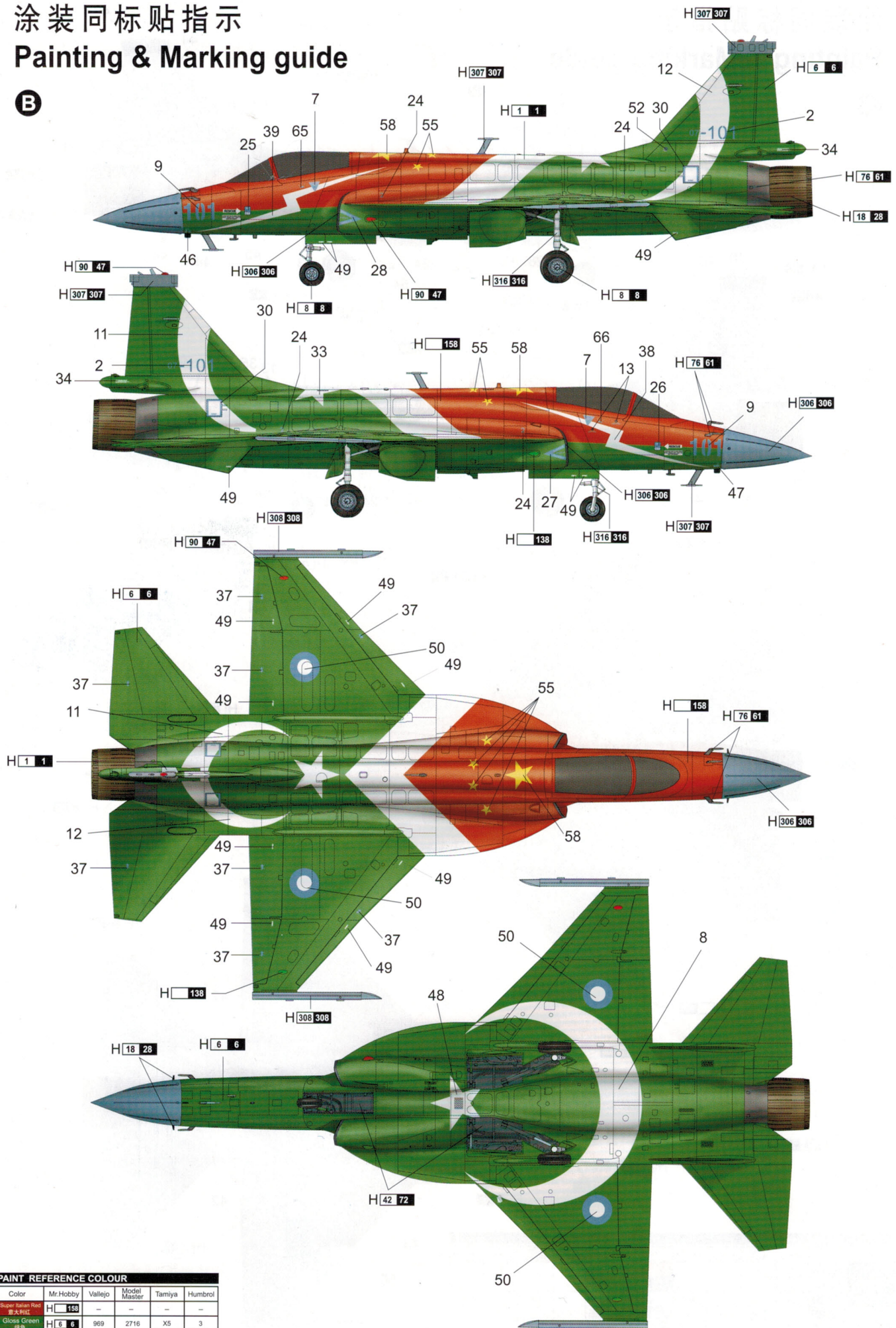
A



PAINT REFERENCE COLOUR											
Color	Mr.Hobby	Vallejo	Model Master	Tamiya	Humbrol	Color	Mr.Hobby	Vallejo	Model Master	Tamiya	Humbrol
Clear Green 透明綠	H 138	936	-	X25	-	Clear Red 透明紅	H 90 47	934	-	X27	-
Stainless Black 不銹鋼黑	H 18 28	864	1402	-	-	Tire Black 輪胎黑	H 77 137	-	-	-	-
Blue Gray 灰藍色	H 42 72	903	1720	-	144	Silver 銀色	H 8 8	997	1546	A11	11
White Insignia 白色	H 316 316	991	1745	X2	22	Grey 灰色	H 307 307	-	1741	XF22	128
Burnt Iron 燒鐵色	H 76 61	863	1795	X10	53	Medium Gray 中灰色	H 308 308	870	1725	XF20	-
Gray 灰色	H 306 306	990	1728	XF19	127	-	-	-	-	-	-

涂装同标贴指示 Painting & Marking guide

B



PAINT REFERENCE COLOUR					
Color	Mr.Hobby	Vallejo	Model Master	Tamiya	Humbrol
Super Italian Red 意大利红	H 158	-	-	-	-
Gloss Green 绿色	H 6 6	969	2716	X5	3
Gloss White 白色	H 1 1	842	1745	X2	22

涂装同标贴指示 Painting & Marking guide

©



PAINT REFERENCE COLOUR											
Color	Mr.Hobby	Vallejo	Model Master	Tamiya	Humbrol	Color	Mr.Hobby	Vallejo	Model Master	Tamiya	Humbrol
Clear Green 透明绿	H 138	936	-	X25	-	Clear Red 透明红	H 90 47	934	-	X27	-
Stone/Steel Black 黑铁色	H 18 28	864	1402	-	-	Tire Black 轮胎黑	H 77 137	-	-	-	-
Blue Gray 蓝灰色	H 42 72	903	1720	-	144	Silver 银色	H 8 8	997	1546	A11	11
White 白色	H 1 1	842	1745	X2	22	Gray 灰色	H 307 307	-	1741	XF22	128
Burnt Iron 锈褐色	H 76 61	863	1795	X10	53	Semi Gloss Black 亮黑1号	H 92	-	-	-	-
Gray 灰色	H 308 308	990	1728	XF19	127						

涂装同标贴指示

Painting & Marking guide

PAINT REFERENCE COLOUR						PAINT REFERENCE COLOUR					
Color	Mr.Hobby	Vallejo	Model Master	Tamiya	Humbrol	Color	Mr.Hobby	Vallejo	Model Master	Tamiya	Humbrol
White 白色	H 11 1	842	1745	XF2	22	Smoke Blue 烟蓝色	H 96 101	-	-	-	-
Burnt iron 烧铁色	H 76 61	863	1795	XF10	53	White 白色	H 316 316	991	1745	X2	22
Gray 灰色	H 808 308	990	1728	XF19	127						

