

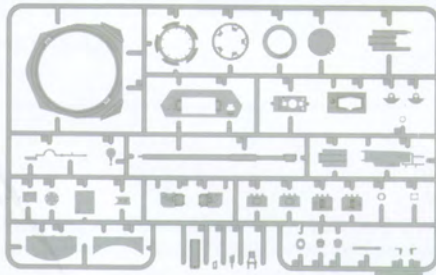
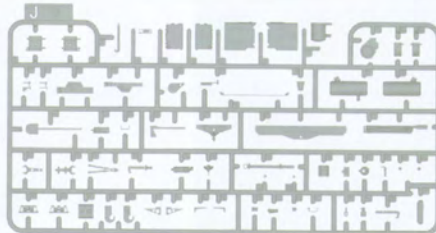
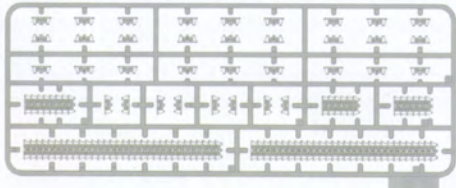
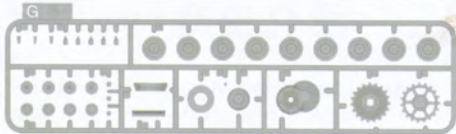
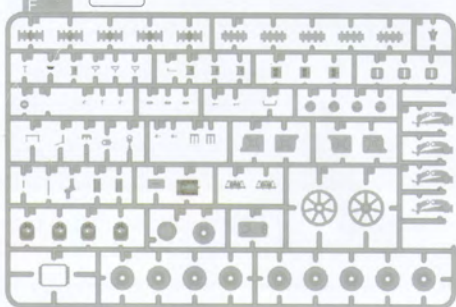
# Pz.Kpfw.IV Ausf.F1 Vorpanzer&Schürzen

## 3 in 1 ドイツ IV号戦車F1型

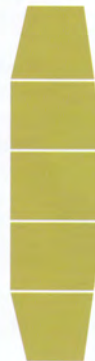
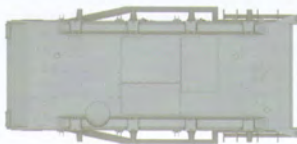
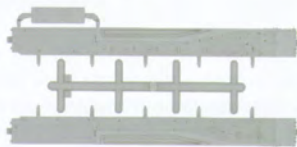
Border



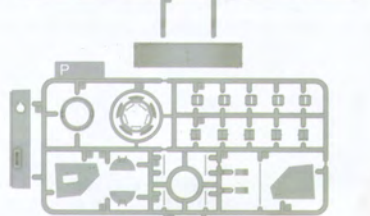
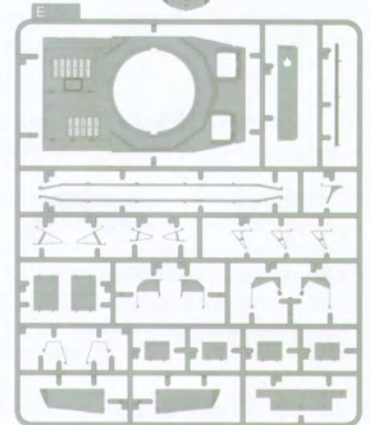
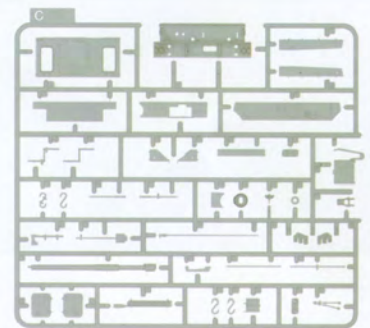
x2



P (Photo etched Parts)



x2





BORDER边境模型



BORDER边境模型

另外一辆看上去比较新的F1 SCHURZEN



BORDER边境模型

这张图片是一辆冬季涂装的F1型，可以看到车体挂满的履带用以增强防护，毕竟当时的F1正面装甲已经很难适应东线的残酷战斗了。

## History | 历史介绍

## Panzer IV F1

Production of Panzer IV type F began in April 1941. Unlike the additional armor of the type E, the armor of type F was mounted directly on the front of turret with 50mm armor, while the side armor was also thickened to 30mm. The modified vehicle weighed 22.3 tons, which allowed the manufacturer to increase the track width from 380 mm to 400 mm to reduce the average pressure on the ground. The wider track also facilitated the installation of snowfield gear. The manufacturer also modified the roller and front sprocket wheel.

On May 26, 1941, at a meeting a few weeks before operation Barbarossa, Hitler decided to upgrade the main equipment of Panzer IV. Krupp was awarded the contract for integrating the Pak 38 anti-tank gun into the new hull — Sd Kfz 161/1. The first prototype was delivered on 15 November 1941.

As the main force on the eastern front and in north Africa, the type 4 F1, gave the Germans an advantage on the north African and Soviet battlefields. The battle of Tobruk, the first battle of Kharkiv, and the battle of Kiev. The type 4 F1 both took part in the battle as the main force and won the final victory.

In addition to the standard type, the F1 has been involved in various modifications, but the most famous one was 'VORPANZER' (Heavy armor type). It is spaced armor. The structure is made of homogeneous steel armor with a thickness of 20mm. Can cause armour-piercing bombs core fracture, or blasting a warhead and armor-piercing projectiles charge, so as to reduce the anti-tank fire damage of main armor. There is no information about where it went but according to the worst forms of the battlefield later, most should be sent to the eastern front and wiped out during that war.

1941年4月，IV号坦克F型开始生产。与E型的附加式装甲不同的是，IV号坦克F型于炮塔及正前方上直接安装上50毫米装甲，而侧部装甲亦同时加厚至30毫米。改装后车重22.3吨，这使厂商相应将履带宽度由380毫米增加至400毫米以减少地面平均承受的压力，宽一点的履带也有助安装雪地单向齿轮配件。生产商同时改造了滚轮及前链轮。1941年5月26日，在巴巴罗萨行动前几星期的一场会议中，希特勒决定提高IV号坦克的主要装备。克虏伯获得该合同，它整合了Pak 38反坦克炮到新的车体：Sd Kfz 161/1。第一辆原型车于1941年11月15日交付。

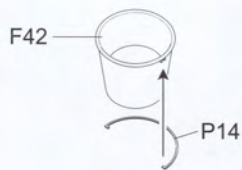
东线和北非德军中坚力量，四号F1型出色的综合性能使得德军在北非和苏德战场占尽优势，托布鲁克战役，第一次哈尔科夫战役，基辅战役。四号F1型都作为主力参加了战斗，并且最终大获全胜。

F1除了标准的样式外，还参与了各类改装，包括著名的“VORPANZER”冲锋装甲（重装甲型）其为隙式附加装甲，该结构用均质钢装甲制成，厚度为20mm。可以导致穿甲弹弹芯发生碎裂，或是诱爆破甲战斗部和穿甲弹的弹底装药，从而减轻敌军反坦克火力对主装甲的伤害，改装完的VORPANZER型没有资料显示其去向，但是根据后来战场的恶劣形式，多数应该是送去了东线，可能参加了惨烈的战斗后损失殆尽。

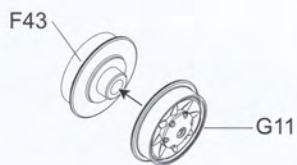
# 1 Assembly of Special Optional Parts 特殊的搭载物品组装

**?** Optional Parts:  
Additional Track from T34 Tank  
可选择搭载物:  
来自T34坦克的备用履带

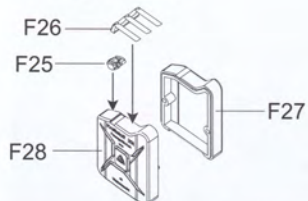
**(A)** x2



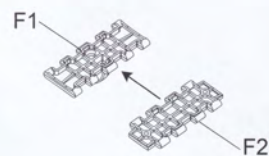
**(B)** x2



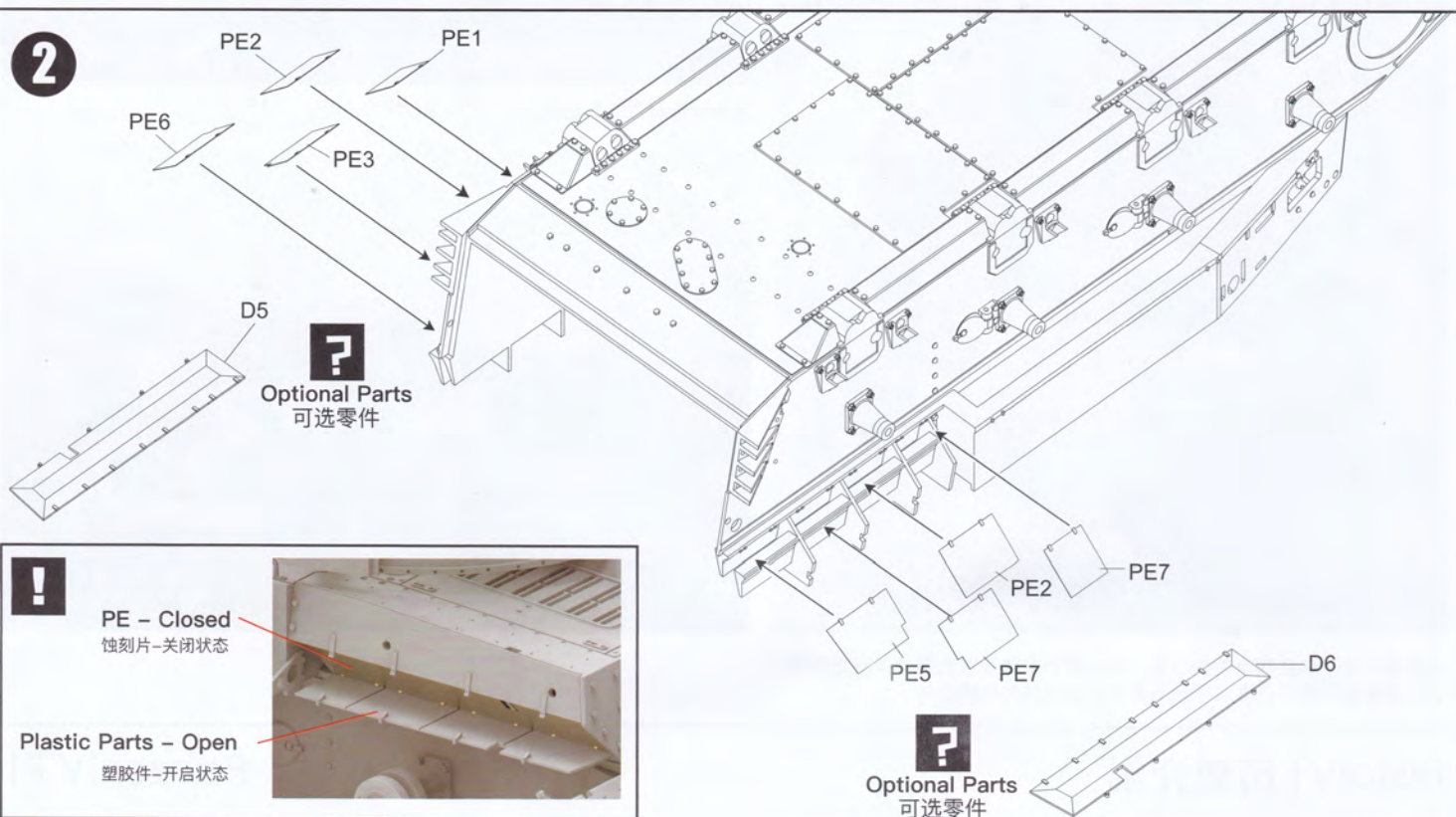
**(C)** x2



**(D)** x10



**2**



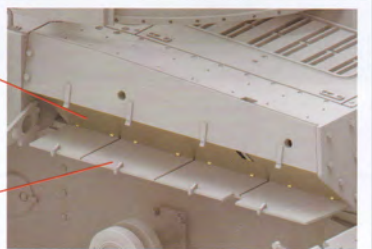
**?**  
Optional Parts  
可选零件

**?**  
Optional Parts  
可选零件

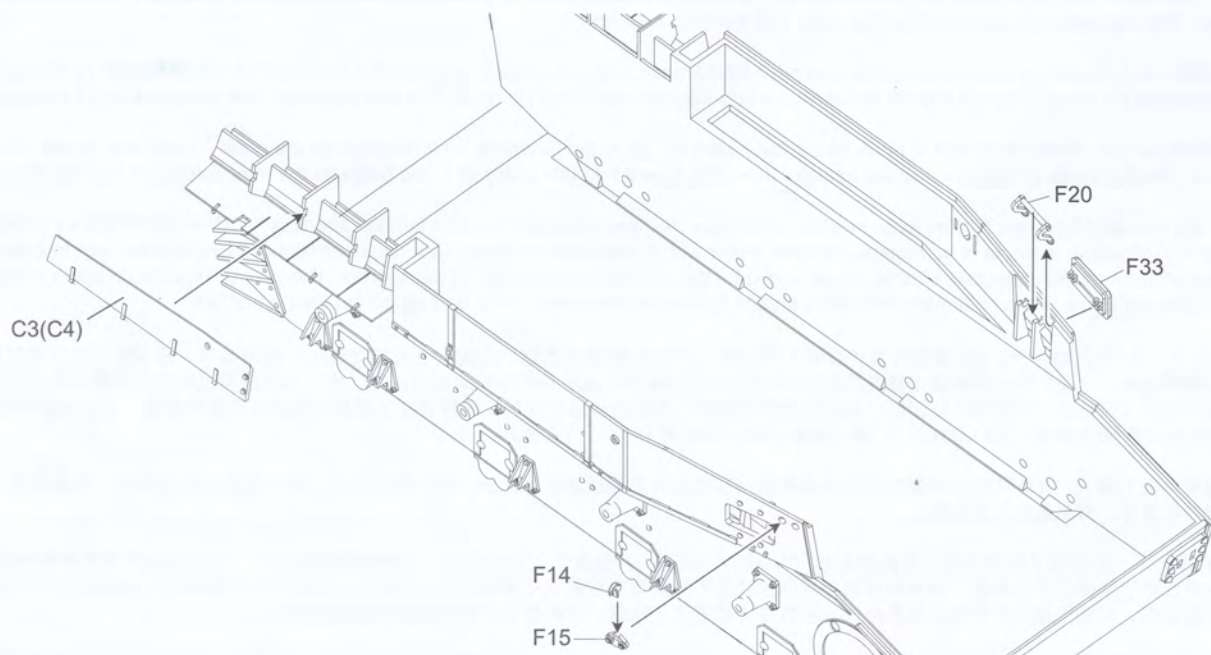
**!**

PE - Closed  
蚀刻片-关闭状态

Plastic Parts - Open  
塑胶件-开启状态



**3**



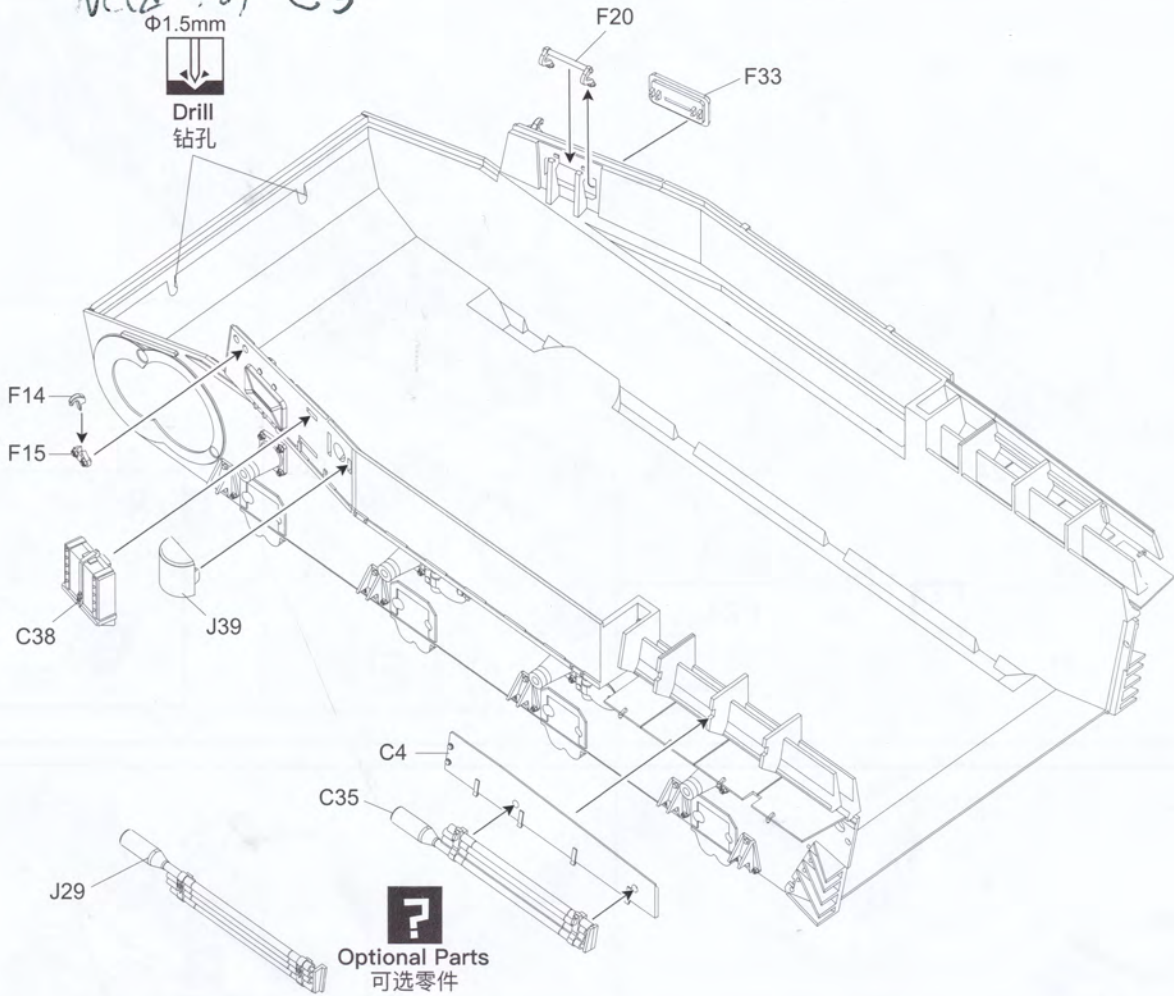
4

Need for C5

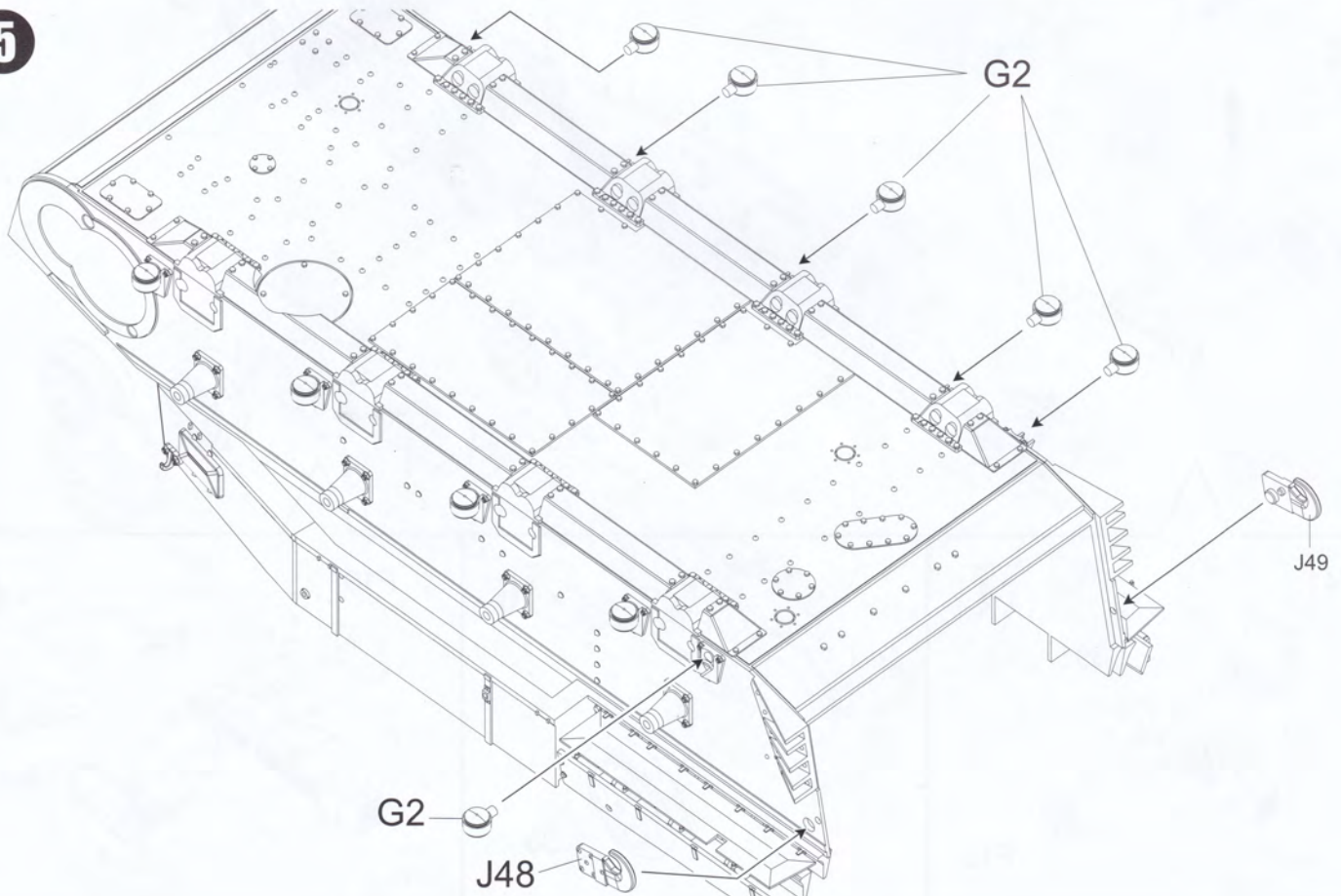
Φ1.5mm

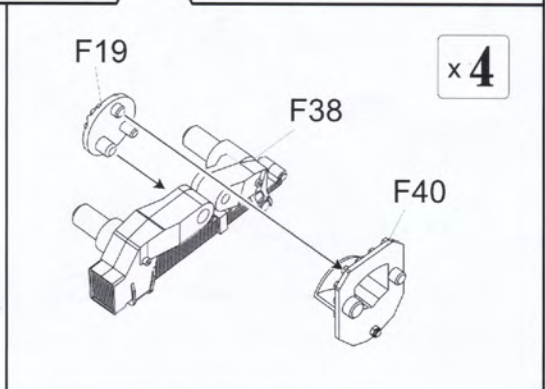
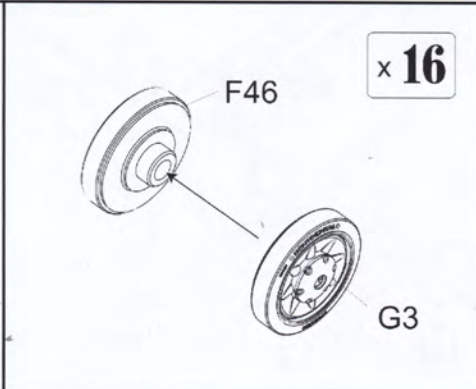
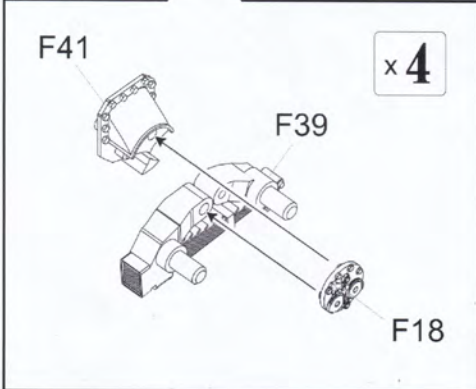
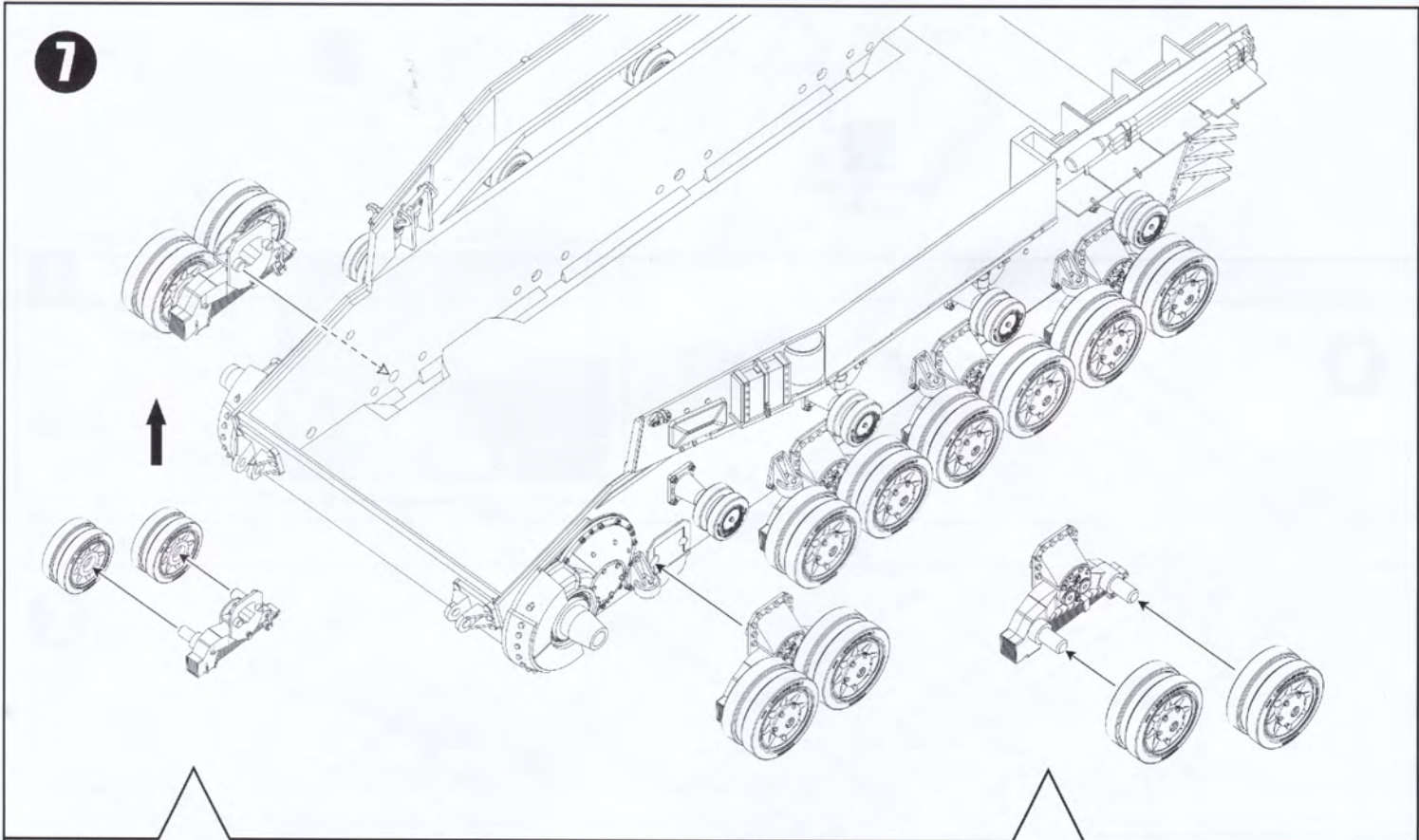
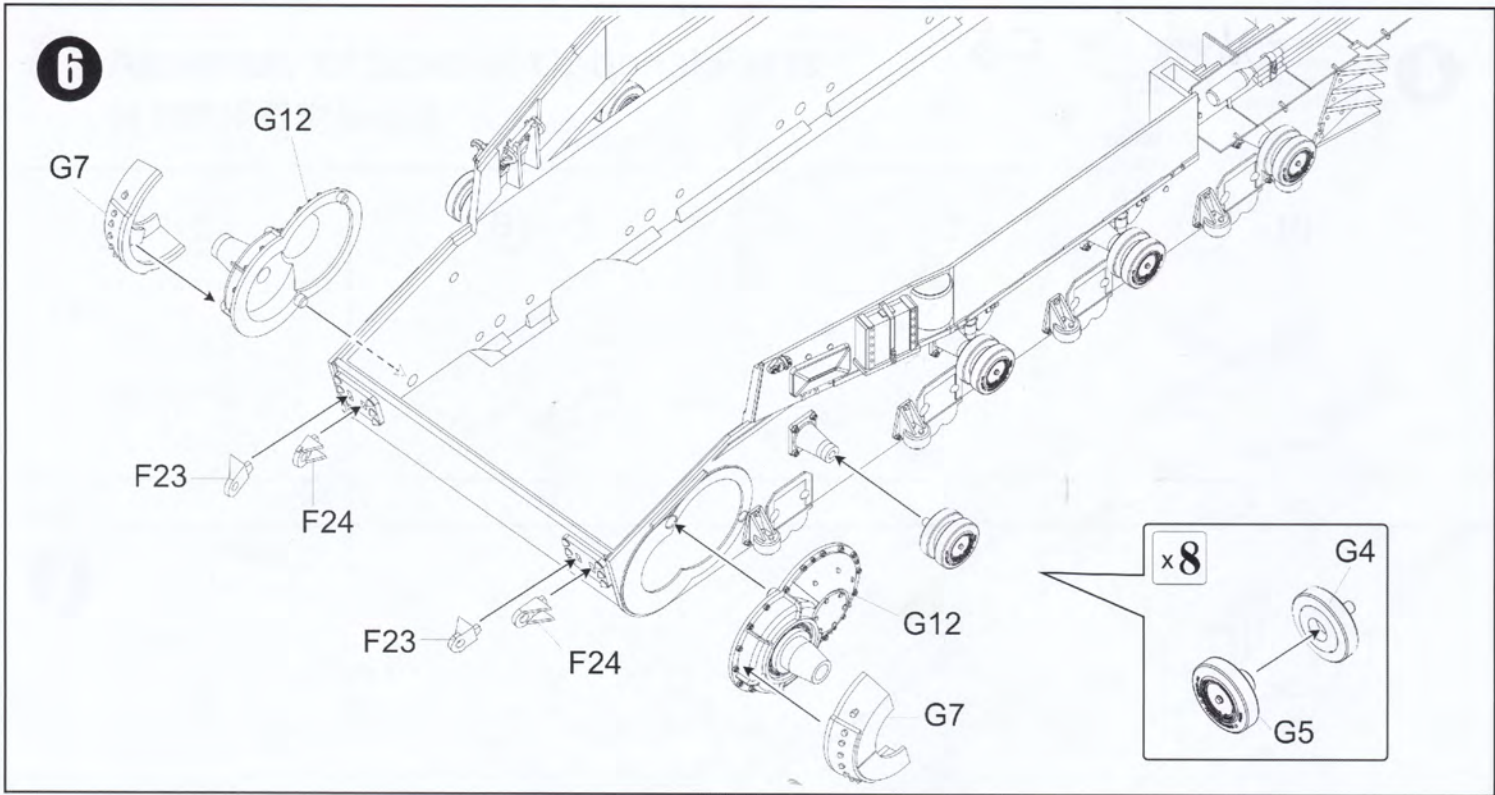


Drill  
钻孔

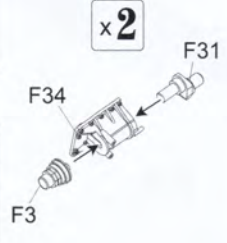
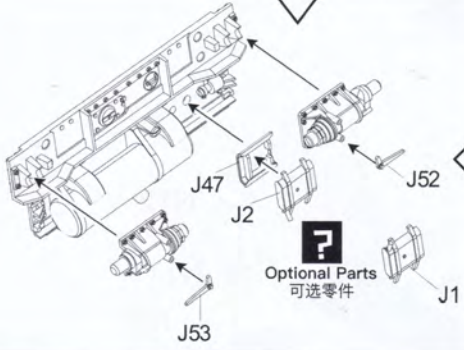
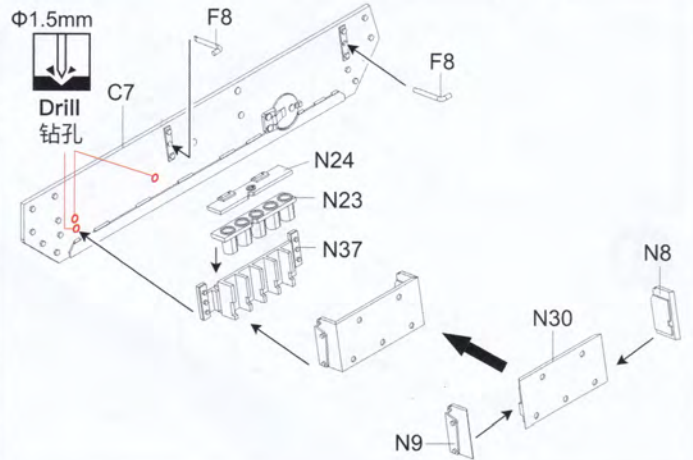
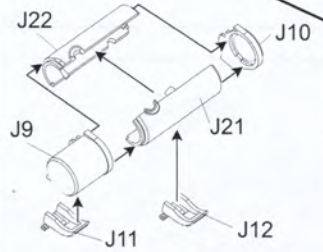
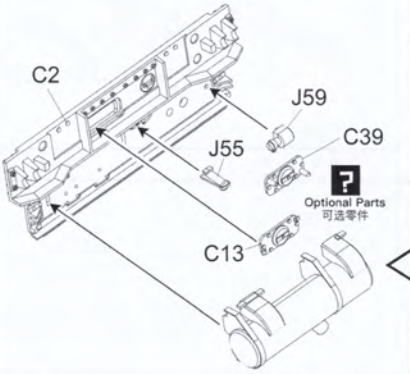
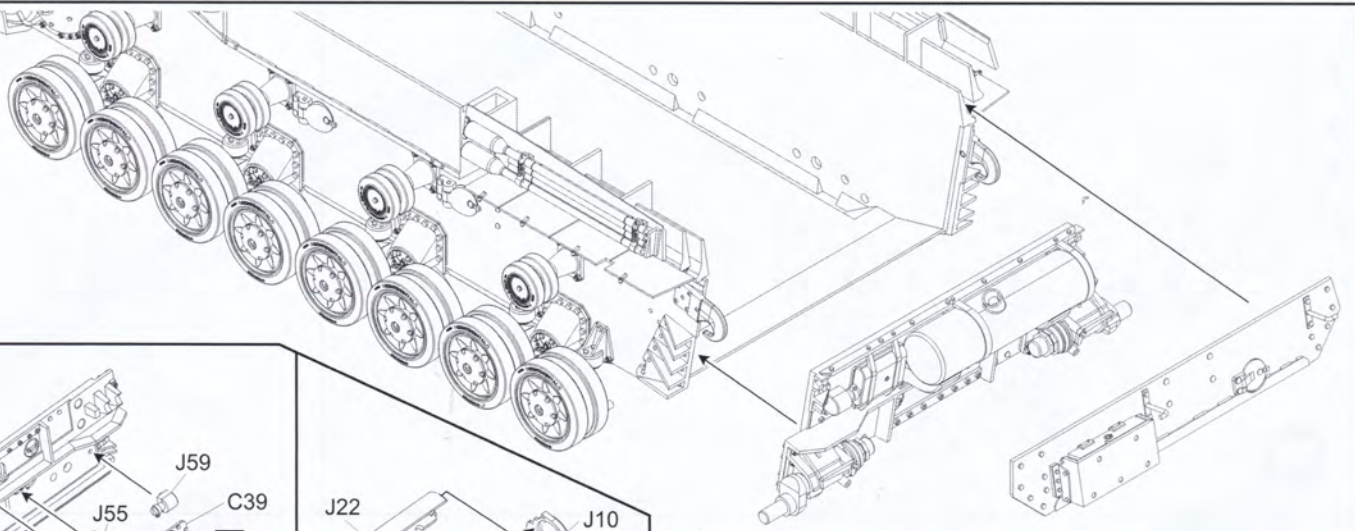


5

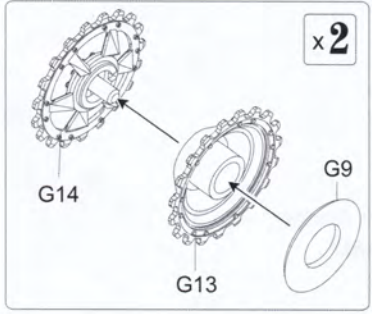
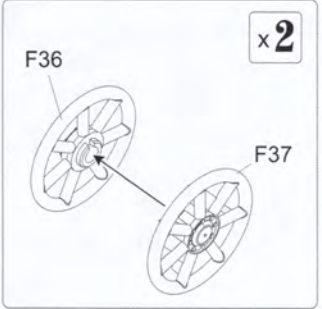
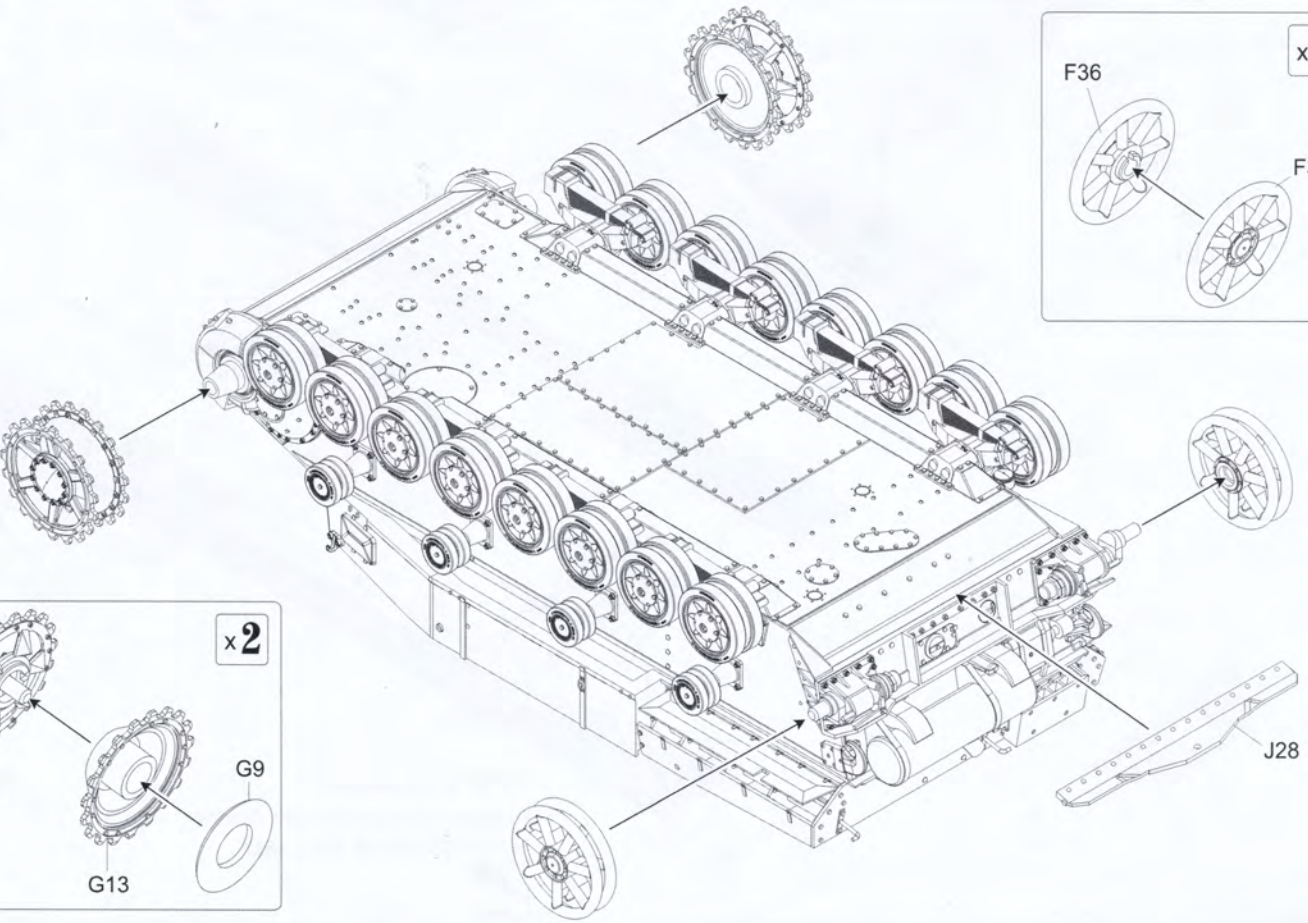




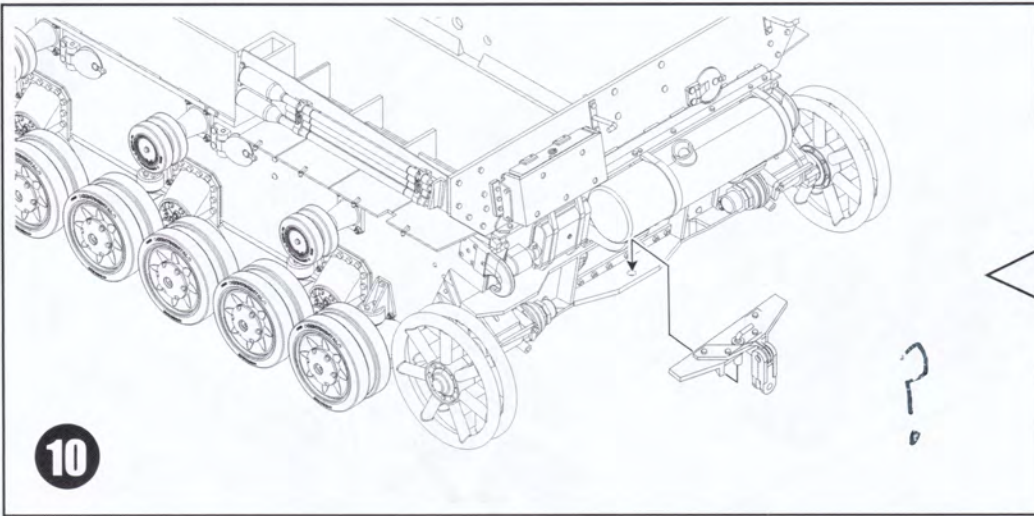
8



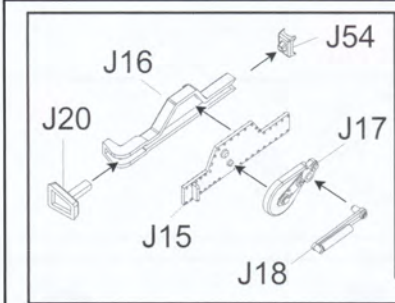
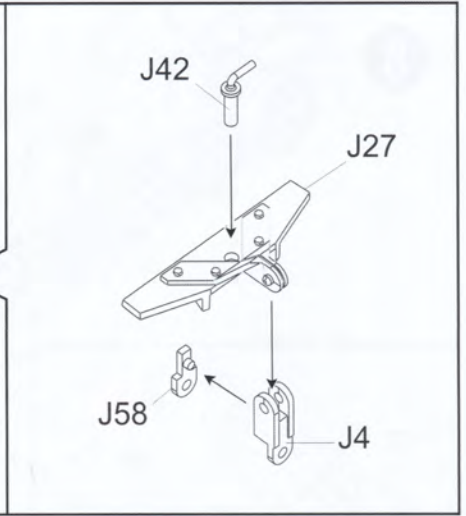
9



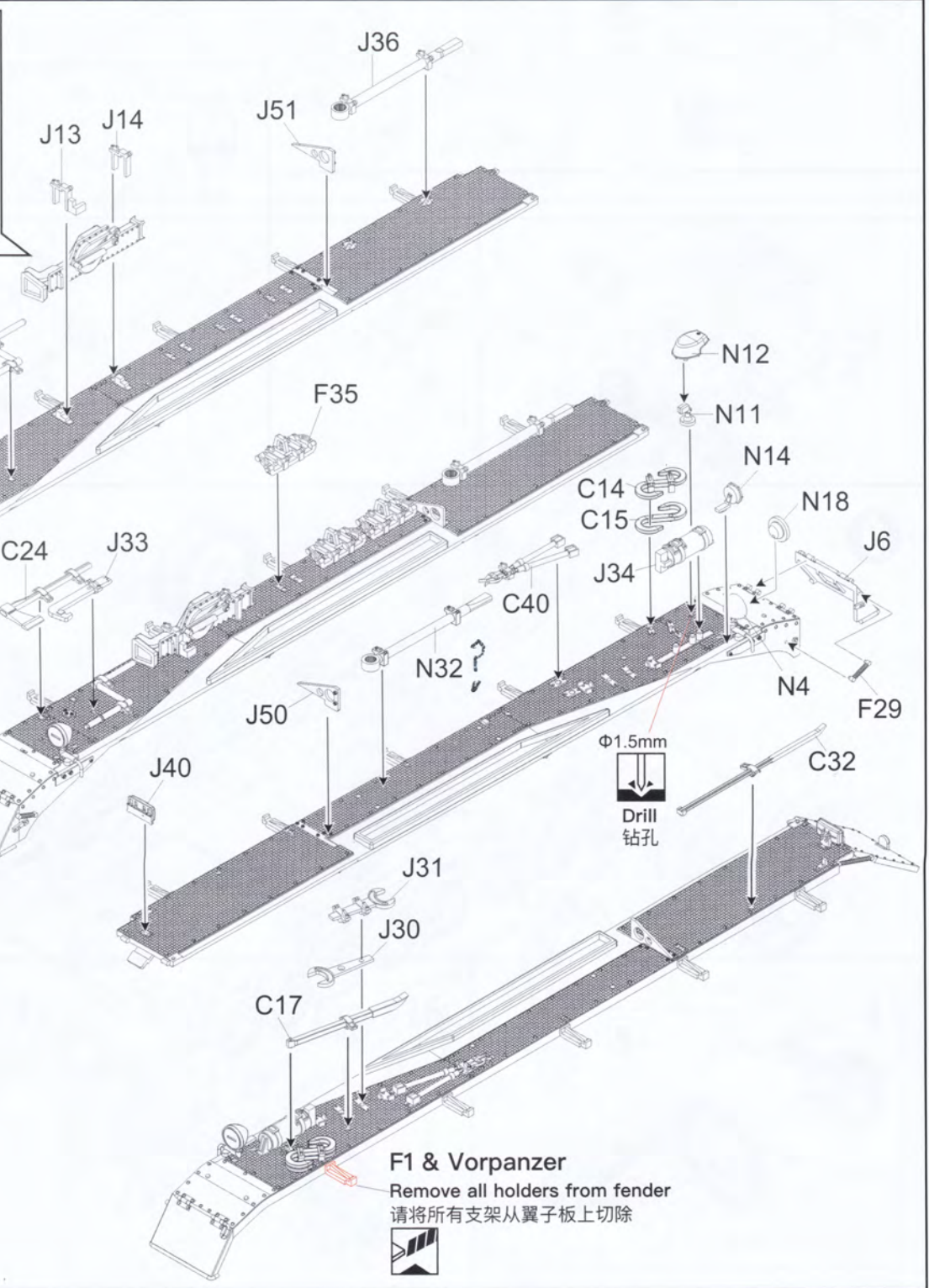
J28



10



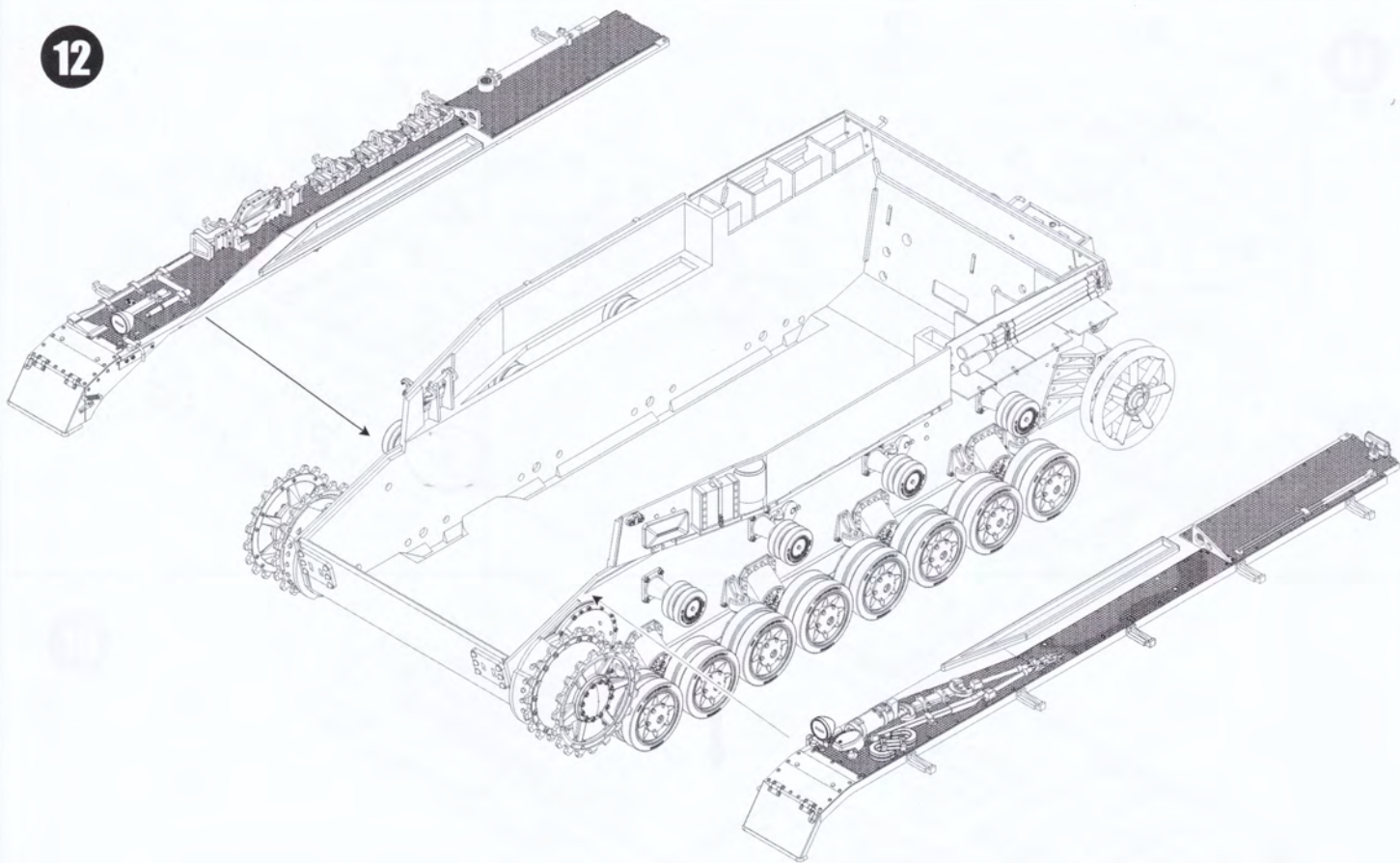
11



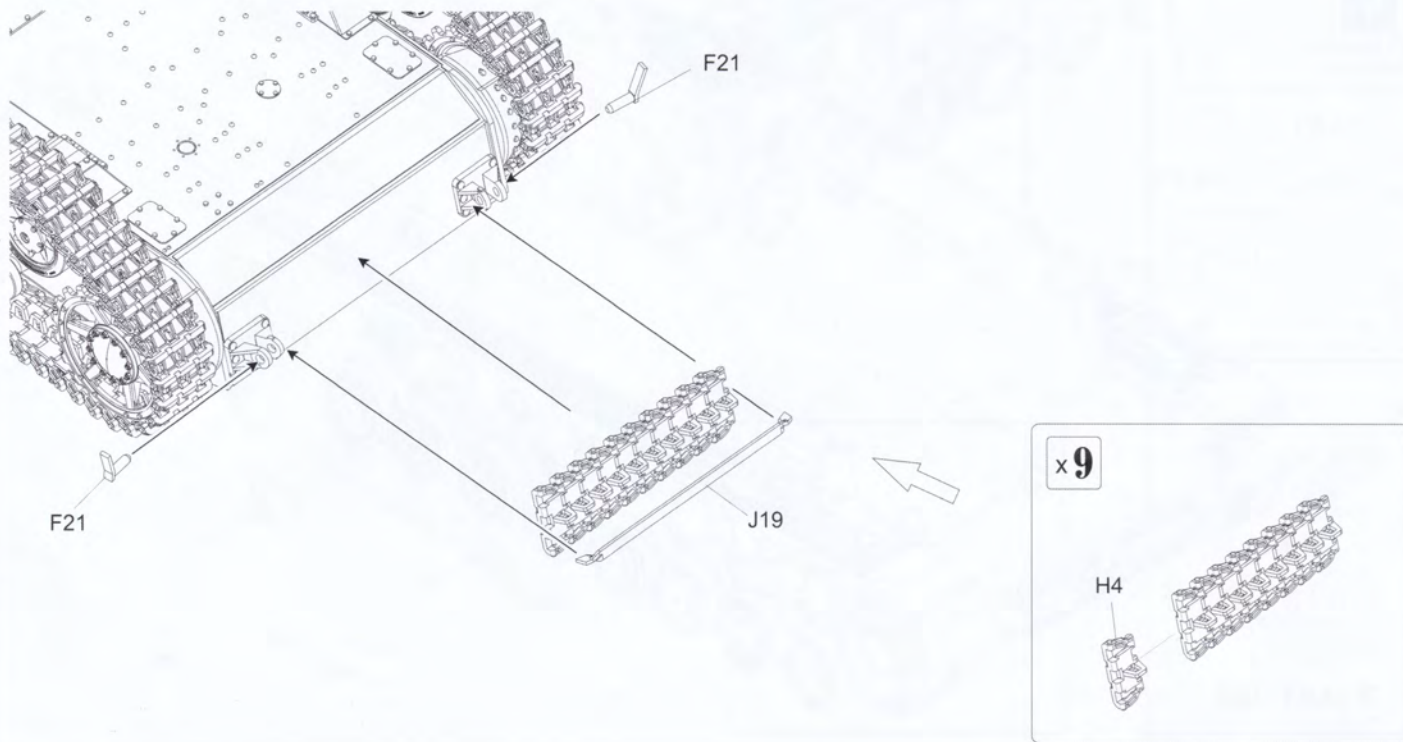
**F1 & Vorpanzer**  
 Remove all holders from fender  
 请将所有支架从翼子上切除



12

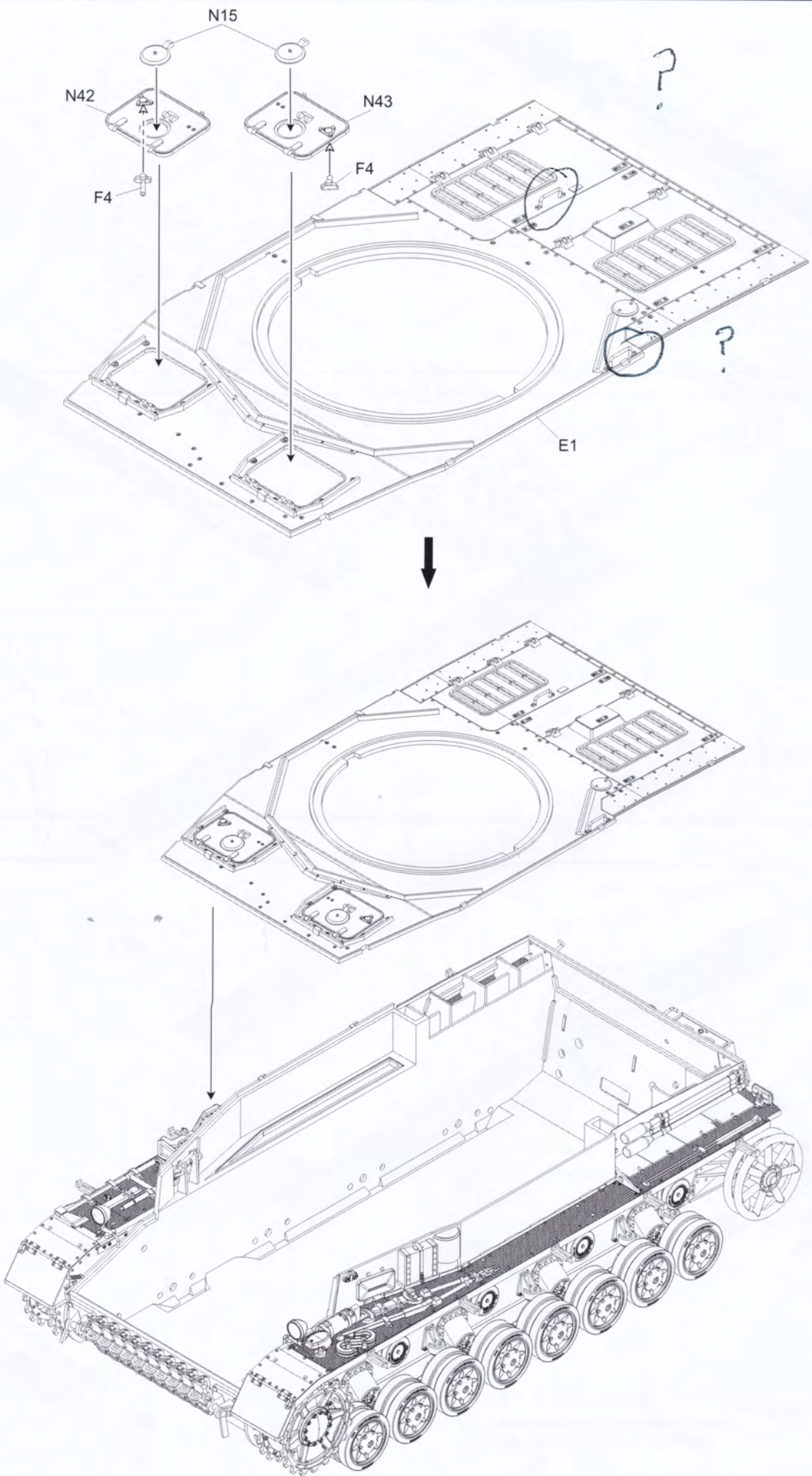


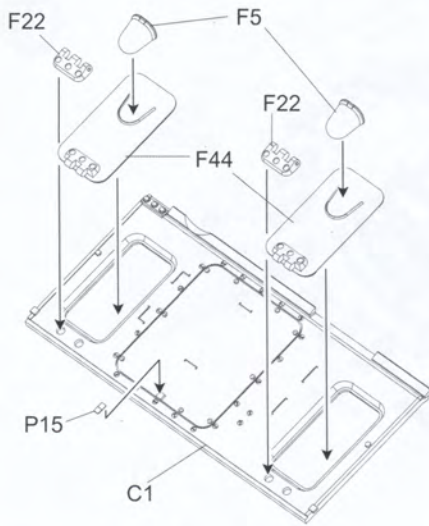
13



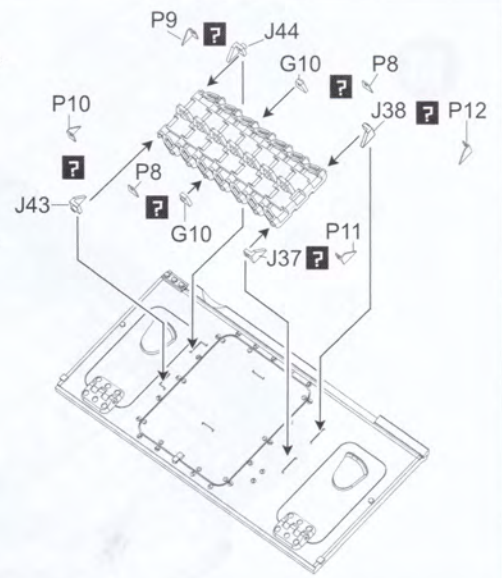
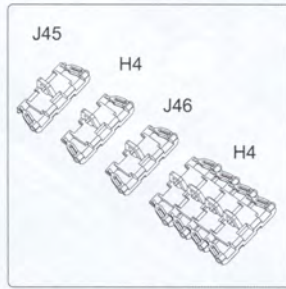


14

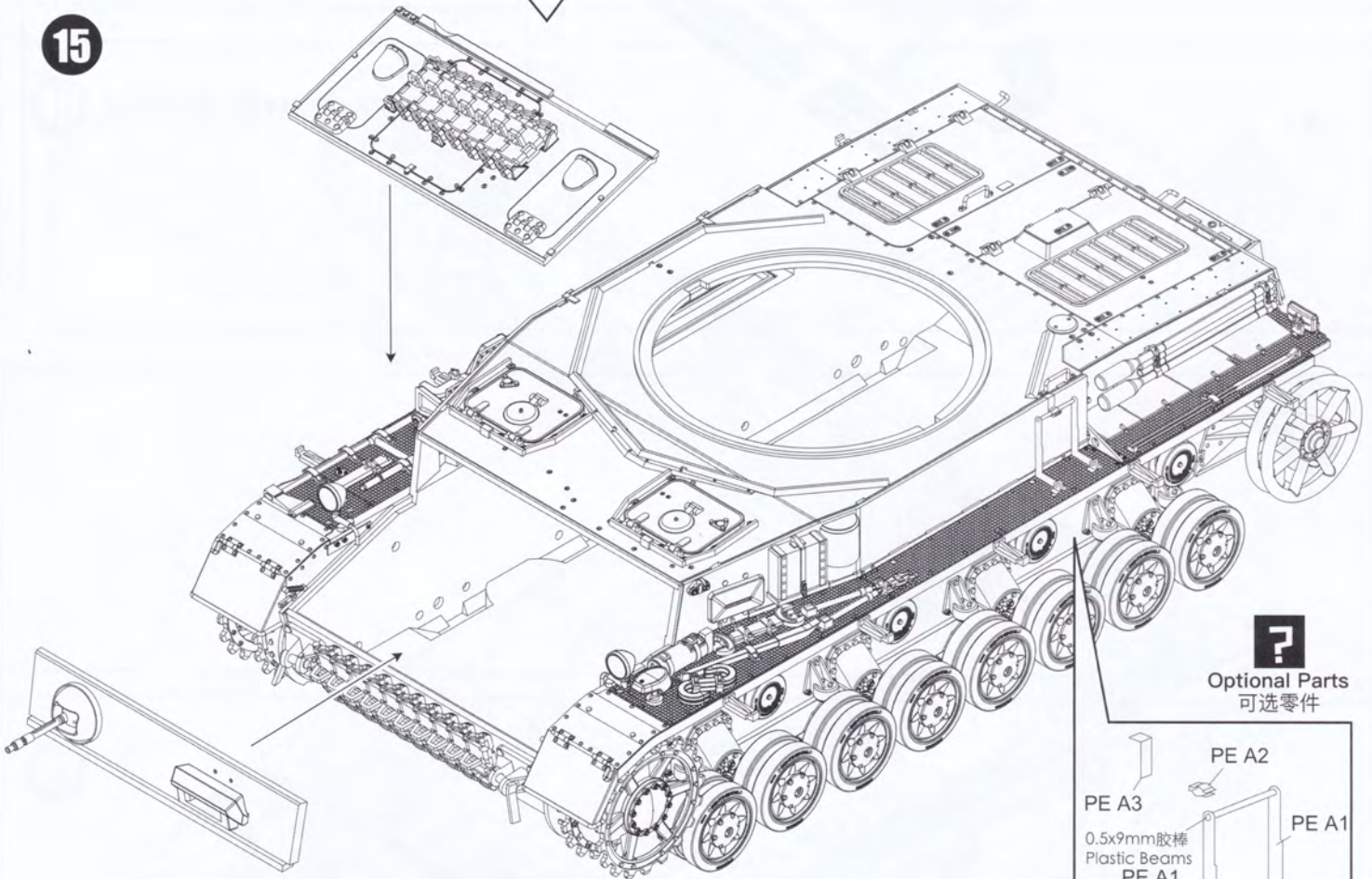




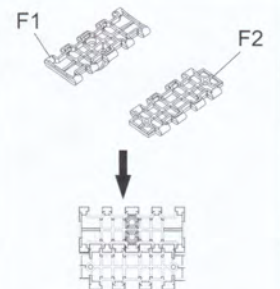
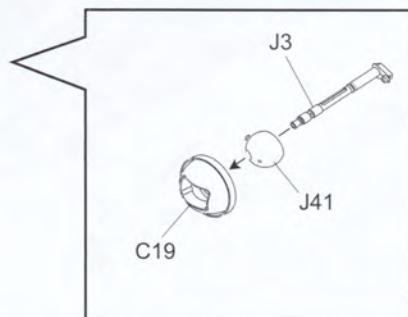
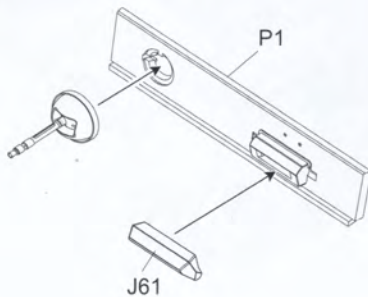
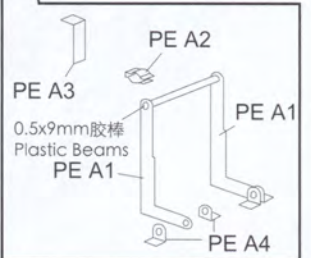
**?**  
Optional Parts  
可选零件



**15**

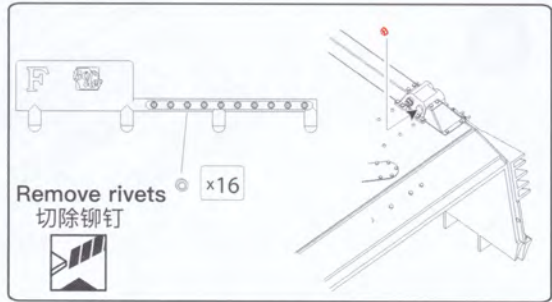
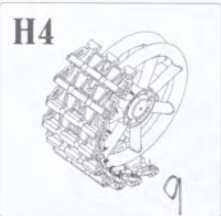
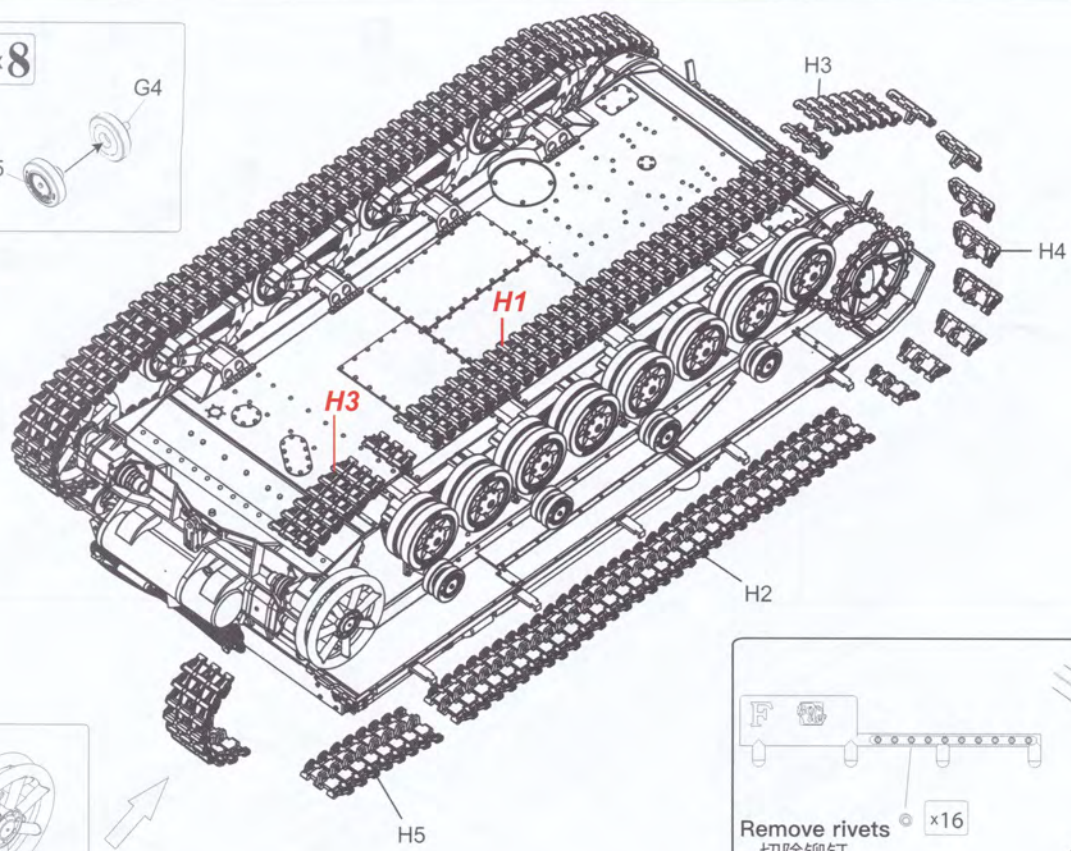
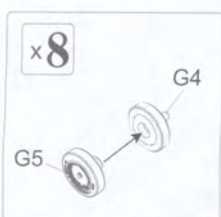


**?**  
Optional Parts  
可选零件

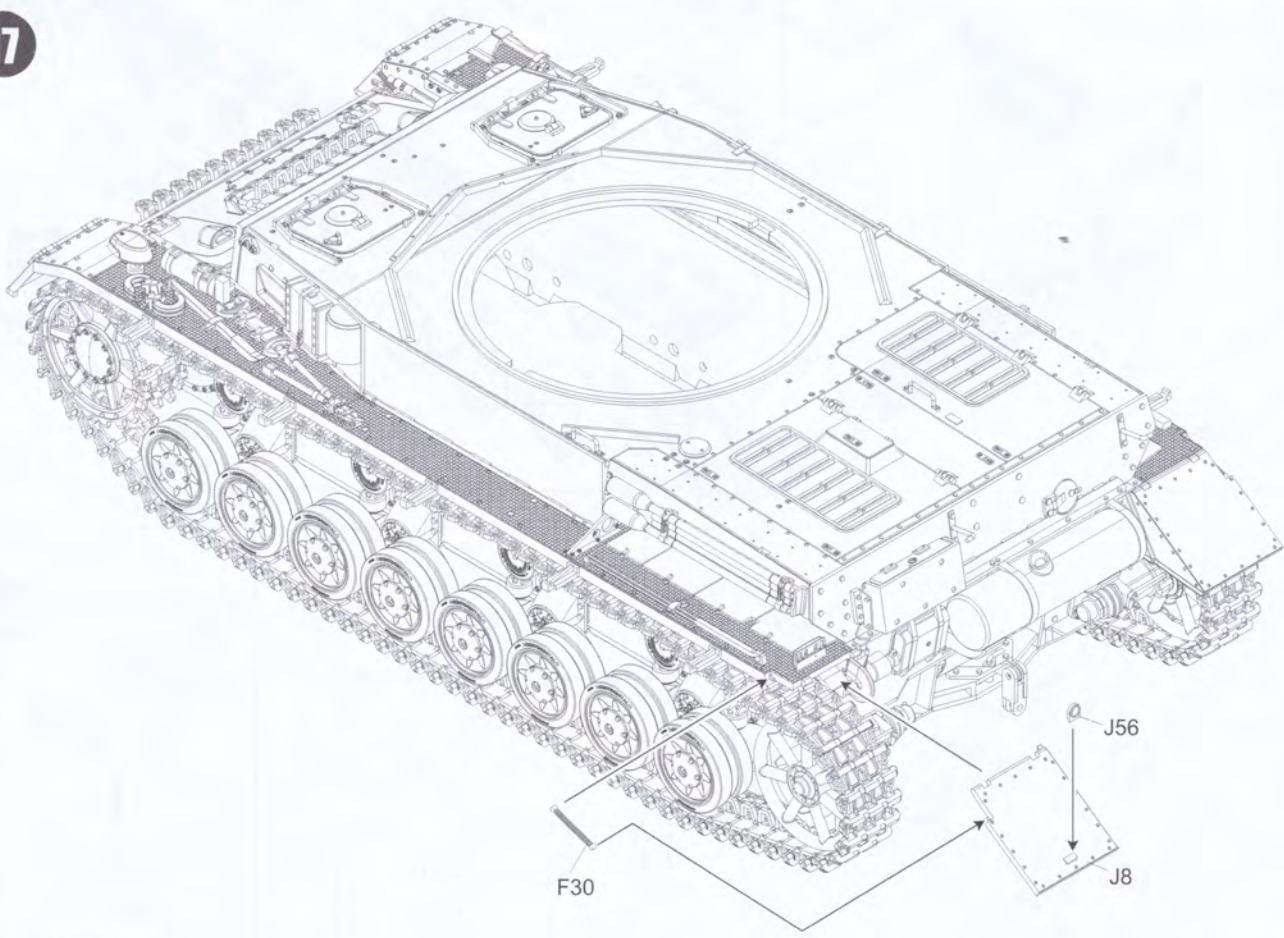


**T34 TRACK**

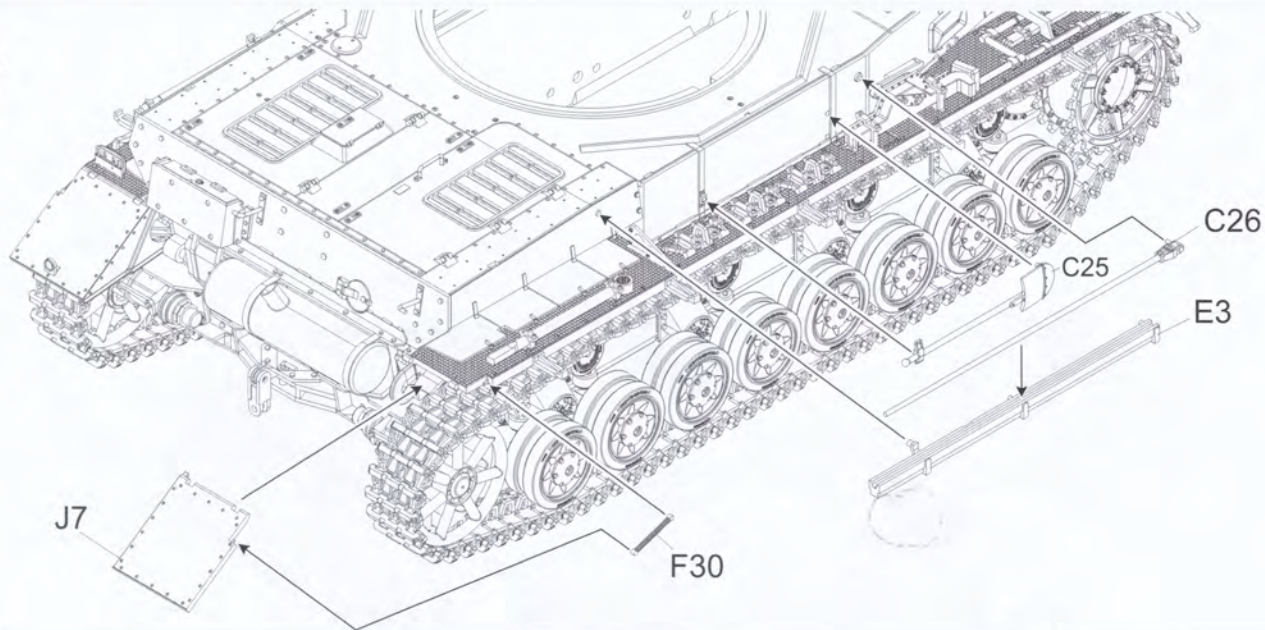
16



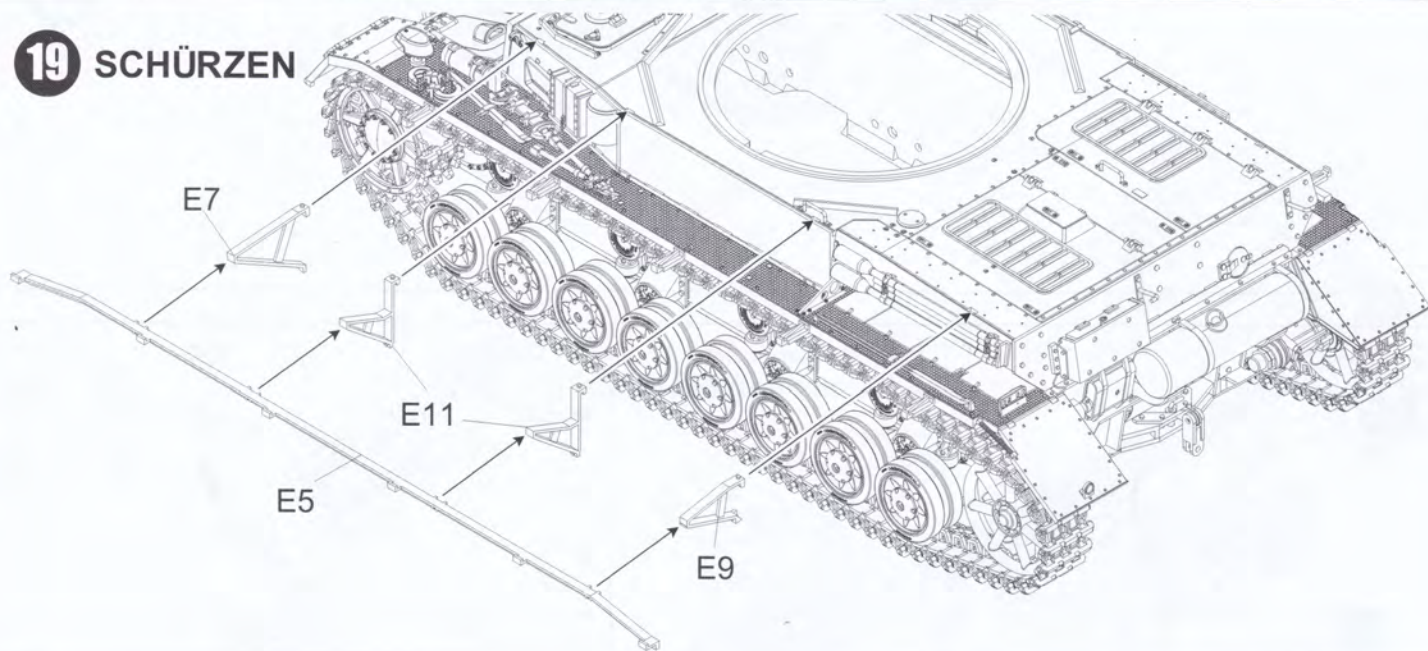
17



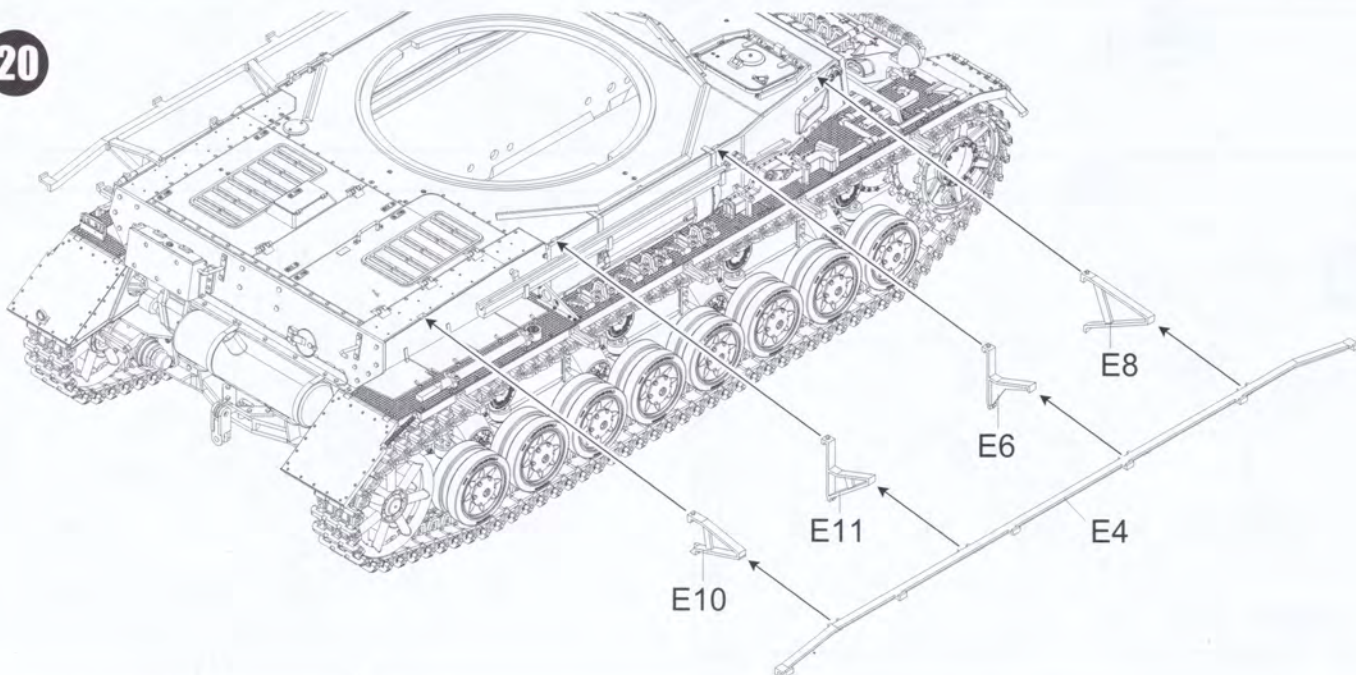
18



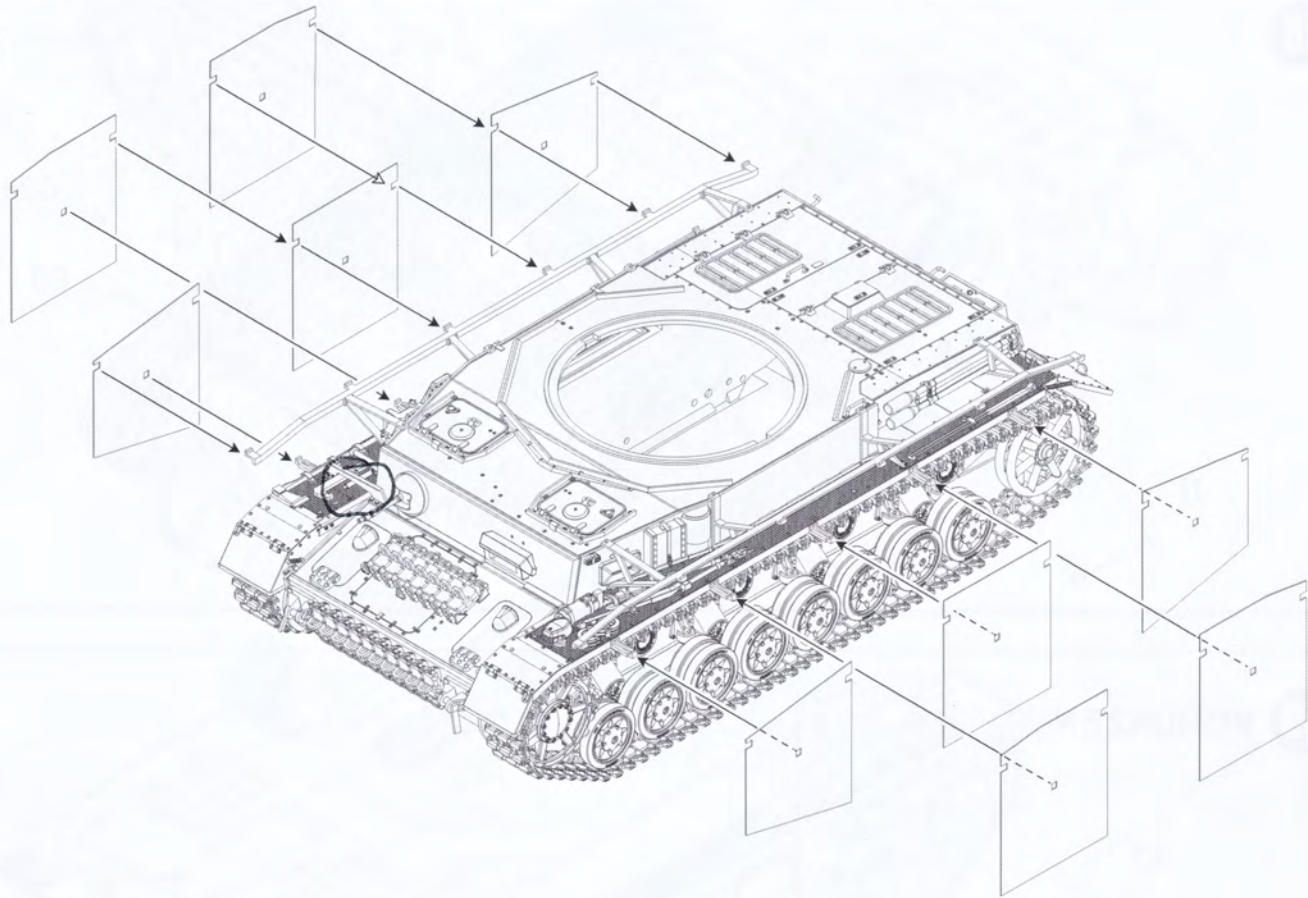
19 SCHÜRZEN



20



21

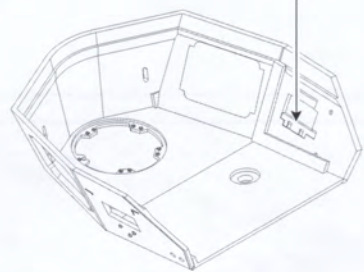
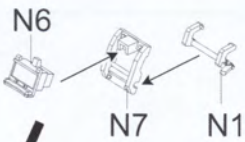
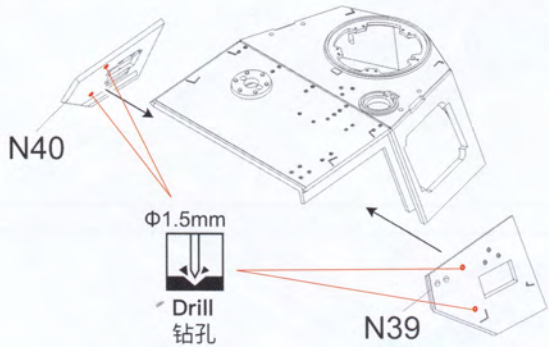


22

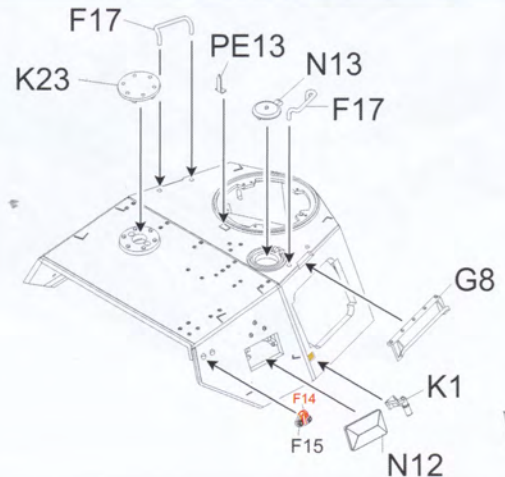
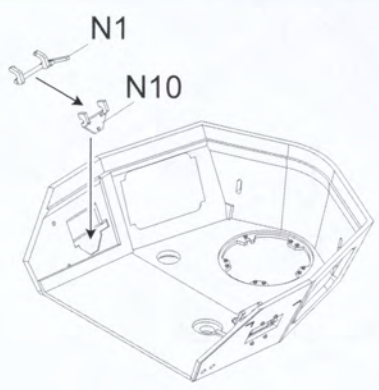


For Vorpanzer Only  
只有Vorpanzer型需要钻孔

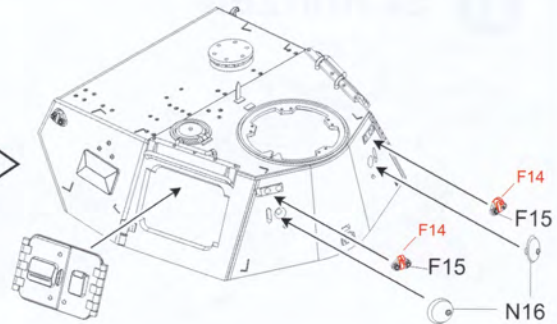
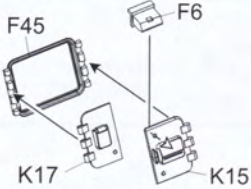
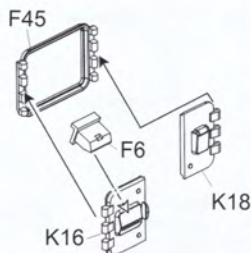
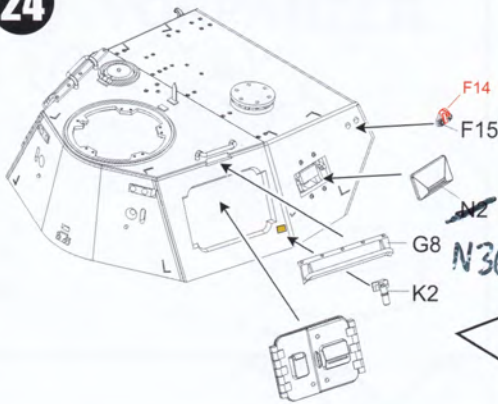
Drill  
钻孔



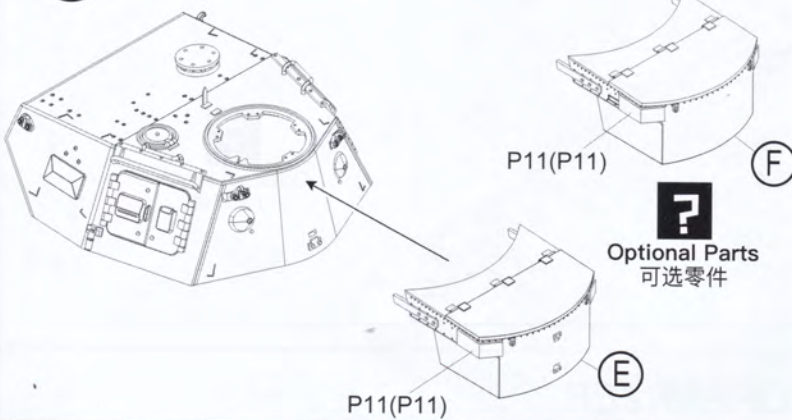
23



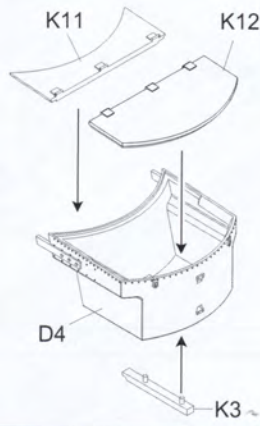
24



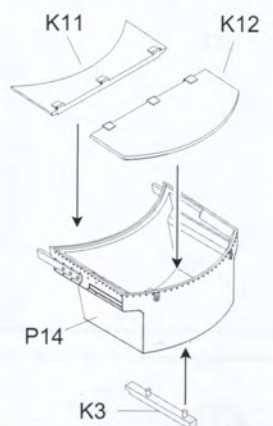
25



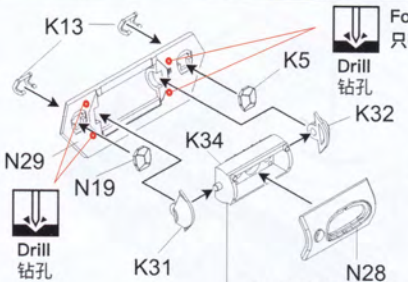
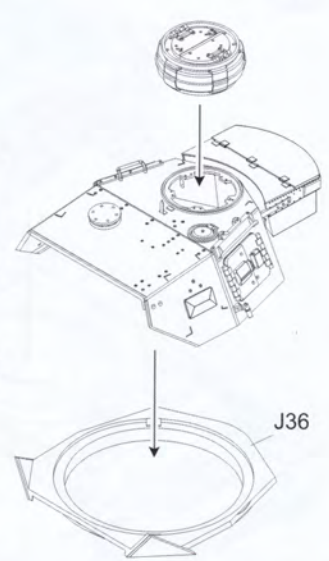
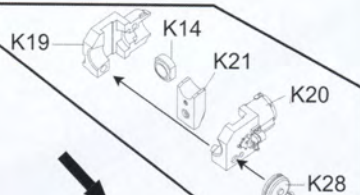
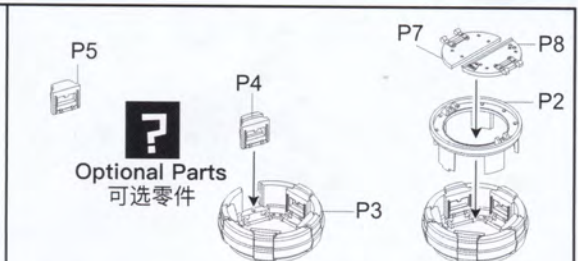
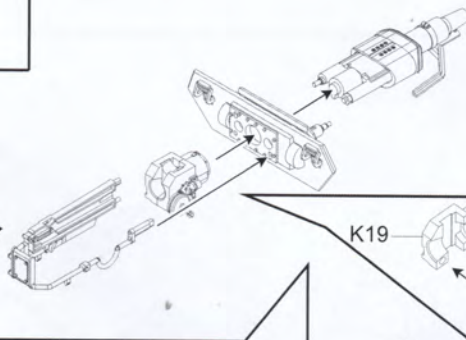
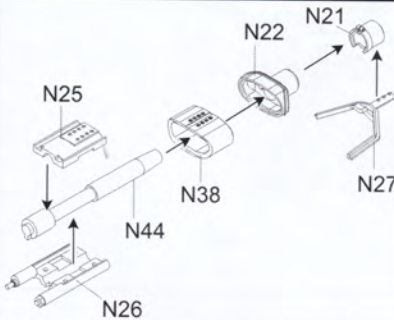
(E) SCHÜRZEN



(F) F1&VORPANZER



26

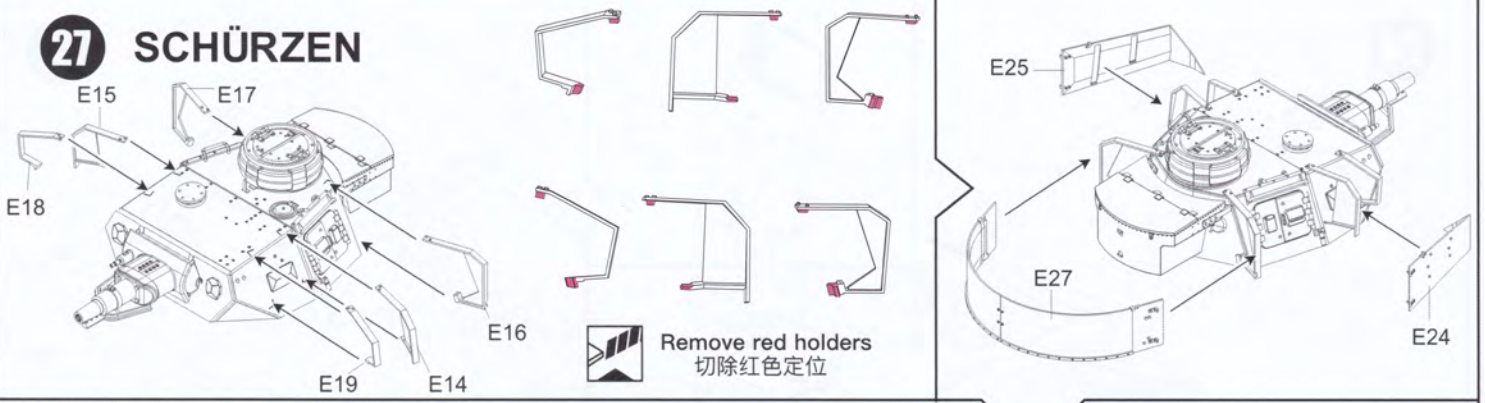


**!** Do not glue axle  
轴不要涂胶

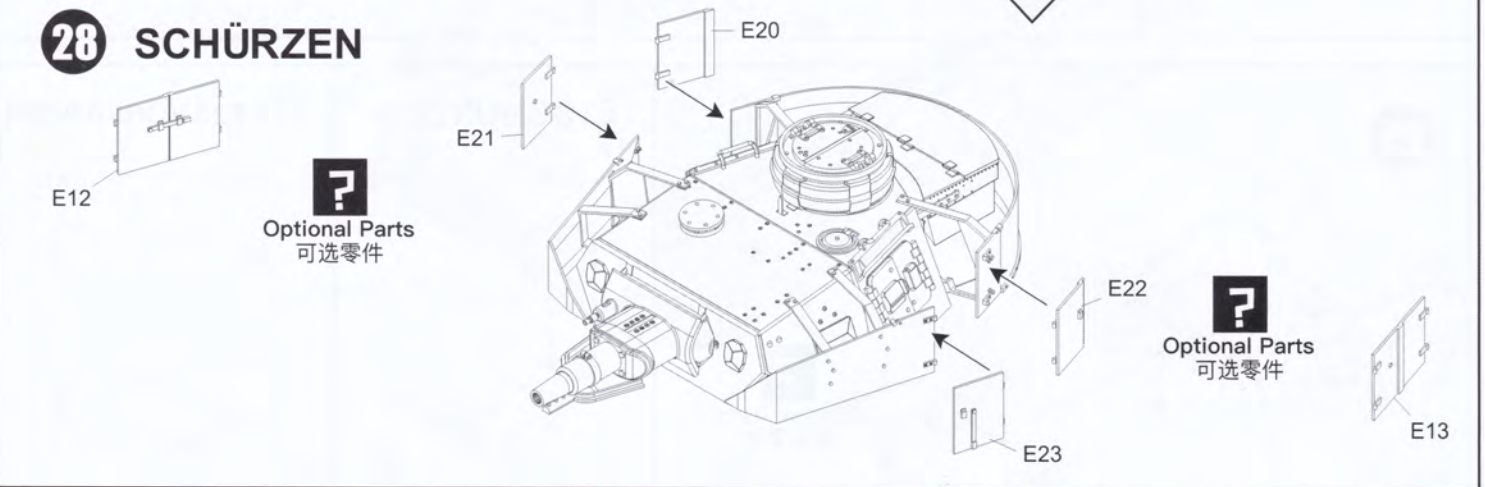
**!** For Vorpanzer Only  
只有Vorpanzer型需要钻孔  
Drill 钻孔

**!** Drill 钻孔

# 27 SCHÜRZEN

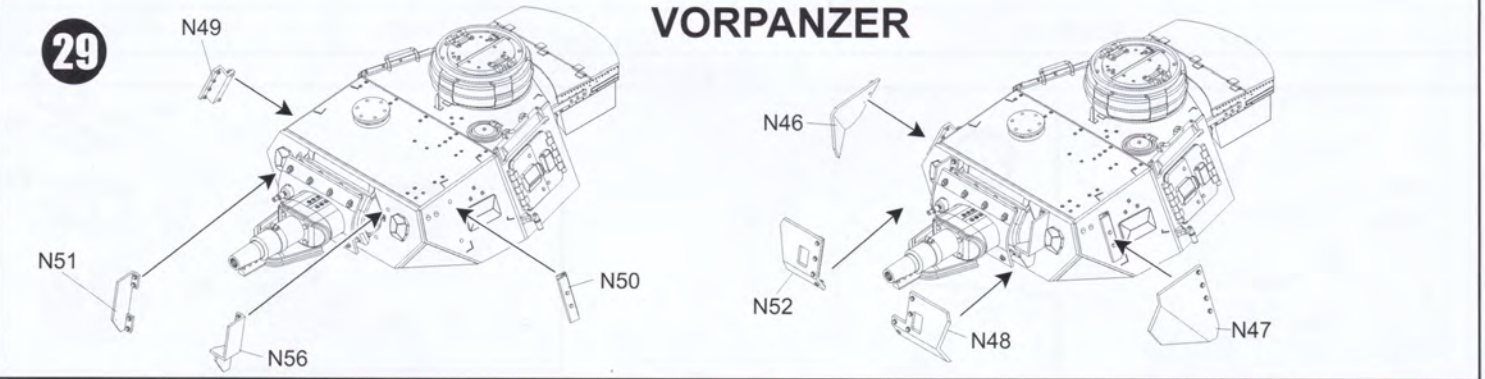


# 28 SCHÜRZEN

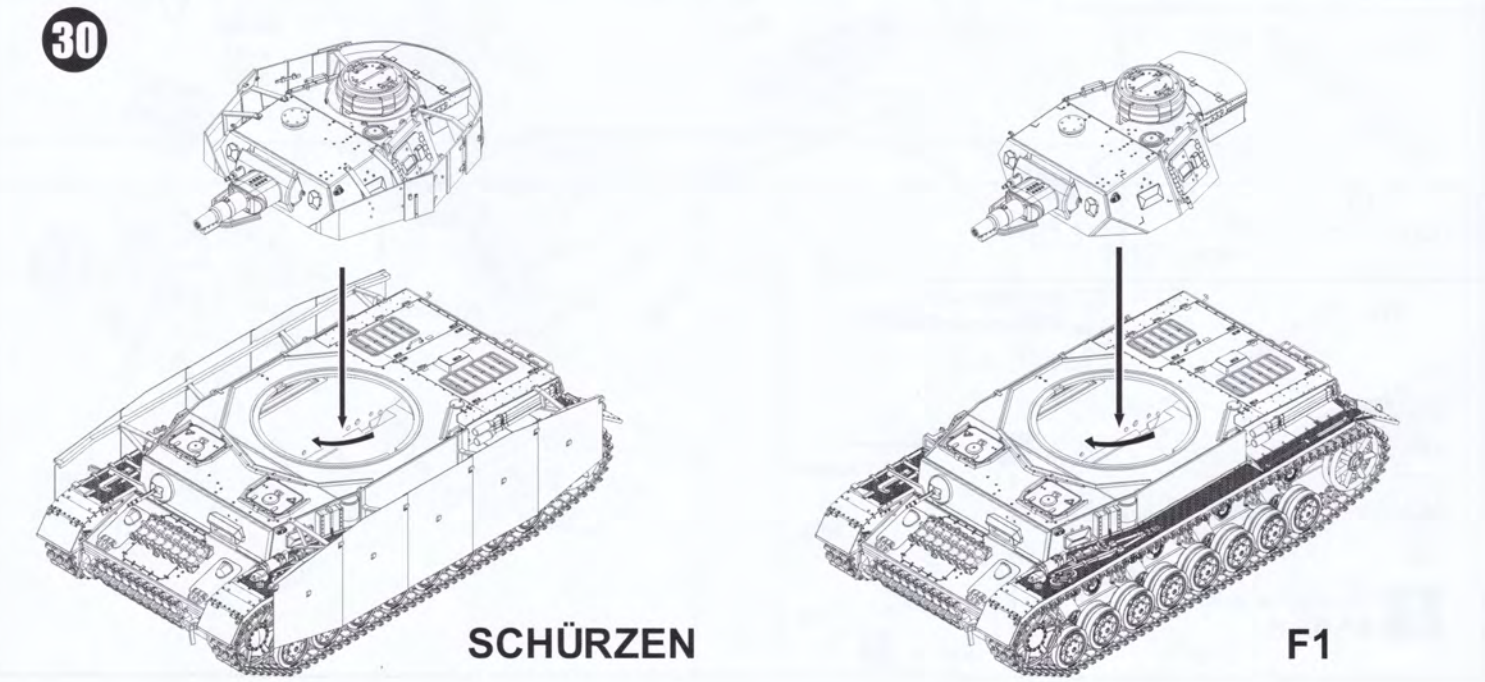


# 29

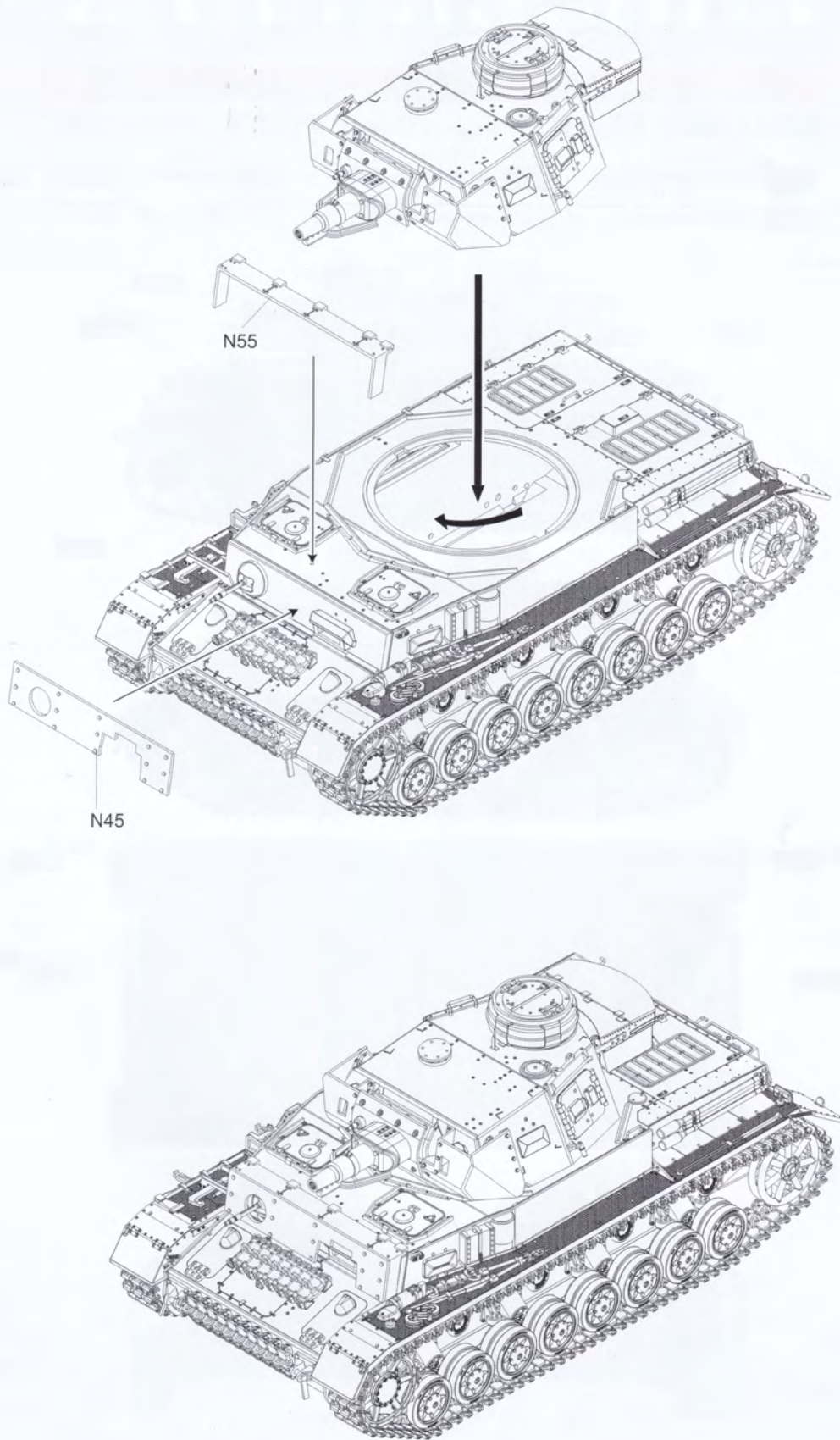
## VORPANZER



# 30





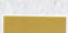



# 31 VORPANZER

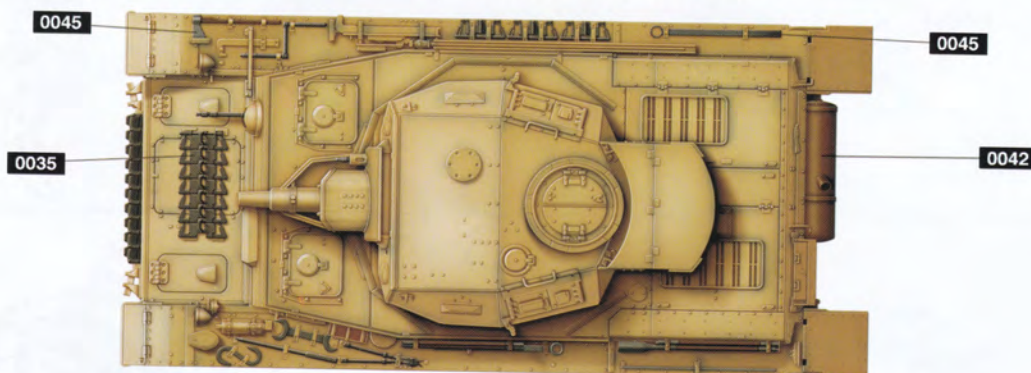
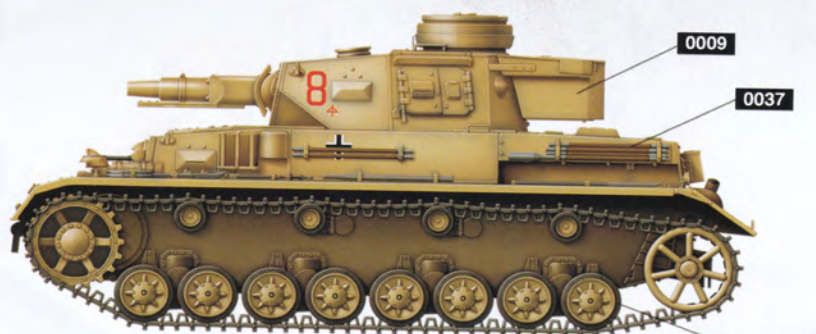




## PAINTING AND MARKING GUIDE

BORDER MODEL REF: BT-003 Panzer IV f1 DAK

 A.MIG-0033 Rubber & Tires	 A.MIG-0035 Dark Tracks	 A.MIG-0037 New Wood	 A.MIG-0042 Old Rust
 A.MIG-0045 Gun Metal	 A.MIG-0009 Sandgrau		



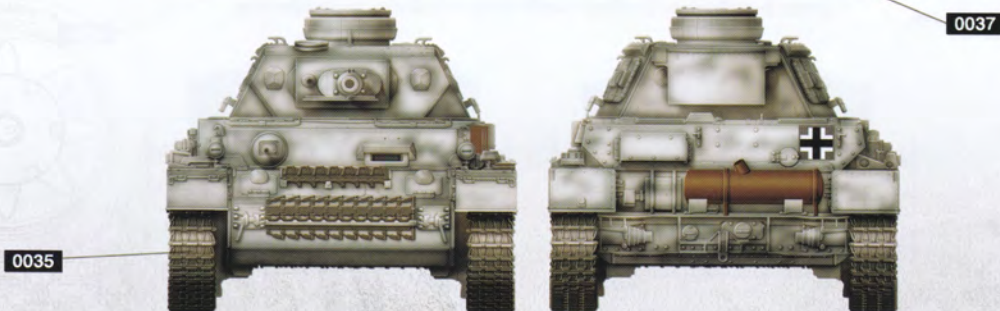
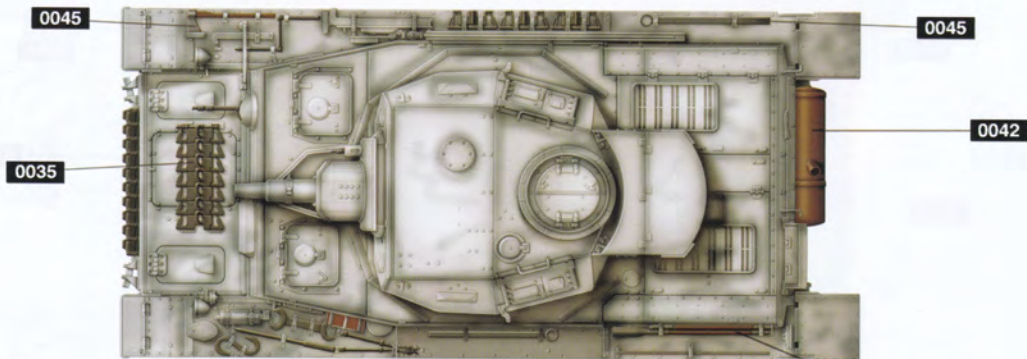
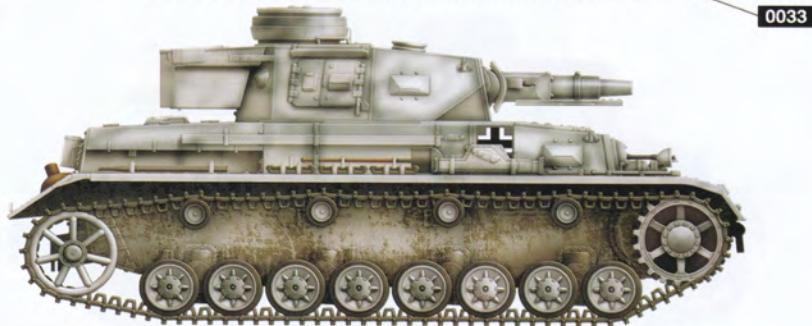
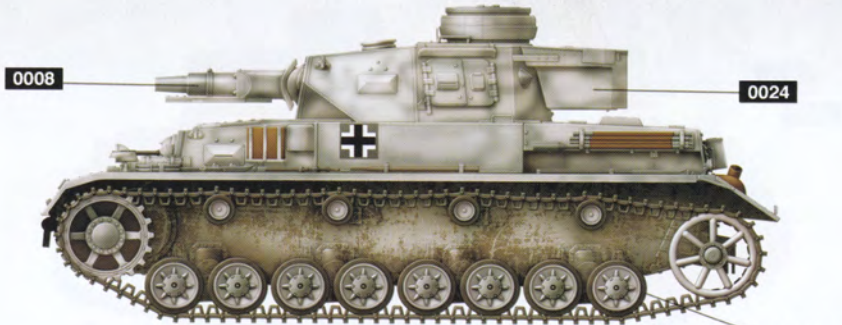
### WEATHERING STEPS WITH AMMO PRODUCTS

- |   |  |  |  |
|---|--|--|--|
| <b>1</b> GENERAL WASH<br>A.MIG-1001 Afrika Korps Wash | <b>3</b> STREAKING<br>A.MIG-1201 Streaking Grime for DAK | <b>5</b> TRACKS WASH<br>A.MIG-1002 Tracks Wash | <b>7</b> MUD & SPLASHES<br>A.MIG-1702 Turned Earth A.MIG-1751 Dry Steppe |
| <b>2</b> FILTER<br>A.MIG-1505 Grey for Yellow Sand    | <b>4</b> RAINMARKS<br>A.MIG-1258 Streakingbrusher Dust   | <b>6</b> DUST<br>A.MIG-3003 North Africa Dust  | <b>8</b> GREASE & OIL<br>A.MIG-1408 Fresh Engine Oil                     |

## PAINTING AND MARKING GUIDE

BORDER MODEL REF: BT-003 Panzer IV f1

 A.MIG-0033 Rubber & Tires	 A.MIG-0035 Dark Tracks	 A.MIG-0037 New Wood	 A.MIG-0042 Old Rust
 A.MIG-0045 Gun Metal	 A.MIG-0008 Dunkelgrau	 A.MIG-0024 Washable White Camo	



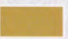


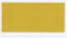



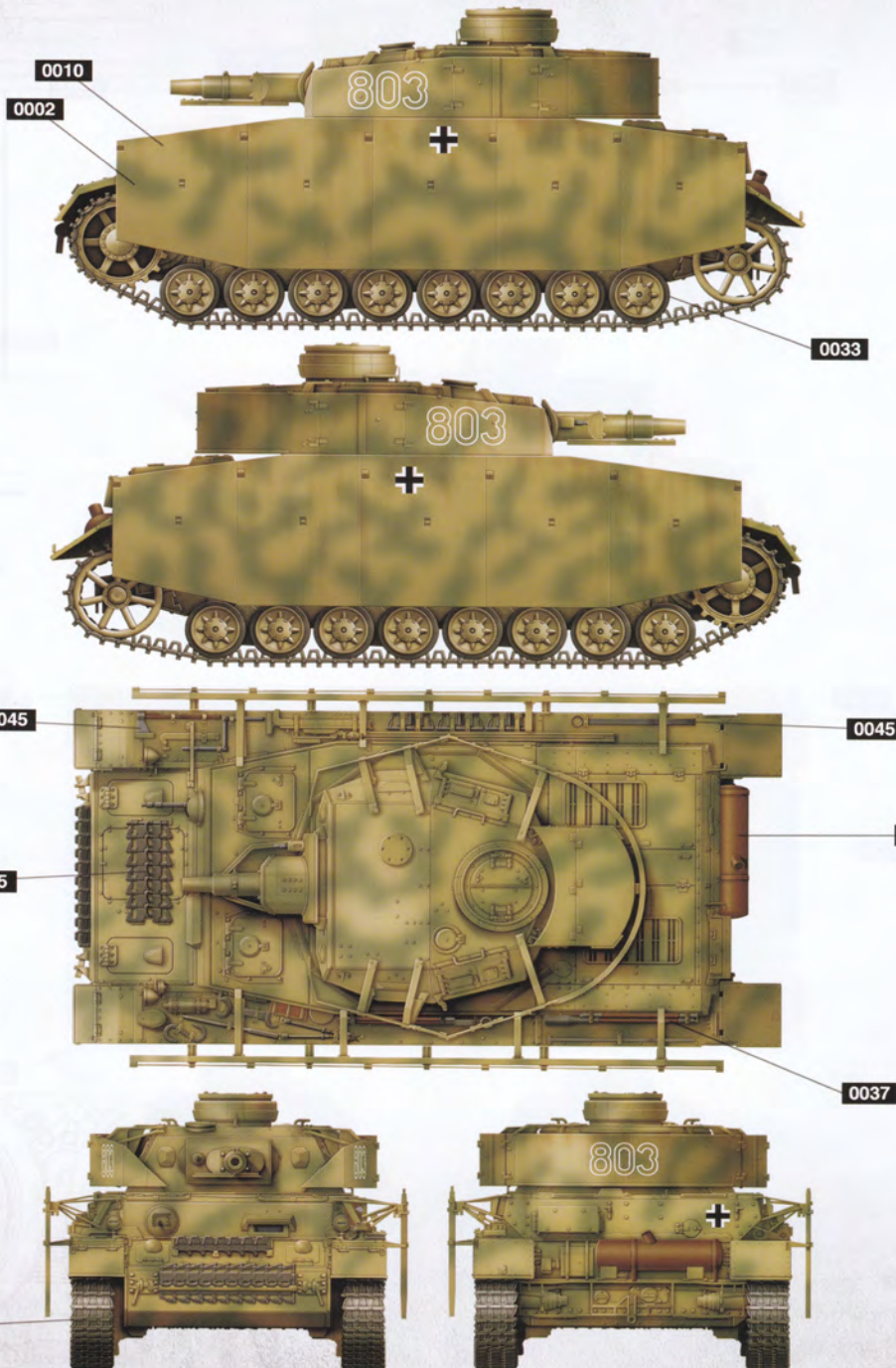
### WEATHERING STEPS WITH AMMO PRODUCTS

- |   |  |  |  |
|---|--|--|--|
| <b>1</b> GENERAL WASH<br>A.MIG-1010 Neutral Wash  | <b>3</b> STREAKING<br>A.MIG-1205 Streaking Grime for Winter Vehicles | <b>5</b> RUST<br>A.MIG-3510 Rust       | <b>7</b> MUD & SPLASHES<br>A.MIG-1705 Wet Mud    A.MIG-1754 Damp Earth |
| <b>2</b> FILTER<br>A.MIG-1502 Dark Grey for White | <b>4</b> TRACKS WASH<br>A.MIG-1002 Tracks Wash                       | <b>6</b> DUST<br>A.MIG-3007 Dark Earth | <b>8</b> GREASE & OIL<br>A.MIG-1408 Fresh Engine Oil                   |

## PAINTING AND MARKING GUIDE

BORDER MODEL REF: BT-003 Panzer IV f1 Schurtzen

 A.MIG-0033 Rubber & Tires	 A.MIG-0035 Dark Tracks	 A.MIG-0037 New Wood	 A.MIG-0042 Old Rust
 A.MIG-0045 Gun Metal	 A.MIG-0010 Dunkelgelb (Mid War)	 A.MIG-0002 Olivgrün Opt.2	



### WEATHERING STEPS WITH AMMO PRODUCTS

**1 GENERAL WASH**

A.MIG-1000 Brown Wash for German Dark Yellow

**2 FILTER**

A.MIG-1511 Brown for Dark Yellow

**3 STREAKING**

A.MIG-1203 Streaking Grime

**4 TRACKS WASH**

A.MIG-1002 Tracks Wash

**5 RUST**

A.MIG-1254 Streakingbrusher Rust

**6 DUST**

A.MIG-3011 Airfield Dust

**7 MUD & SPLASHES**

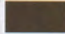


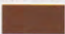

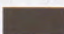
A.MIG-1704 Heavy Earth A.MIG-1753 Turned Dirt

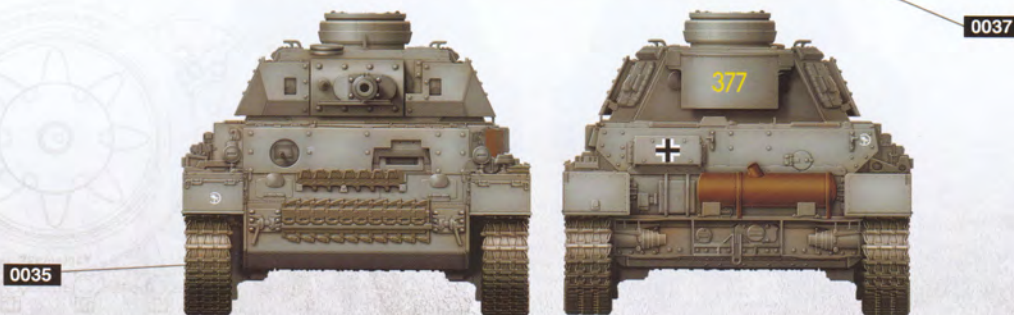
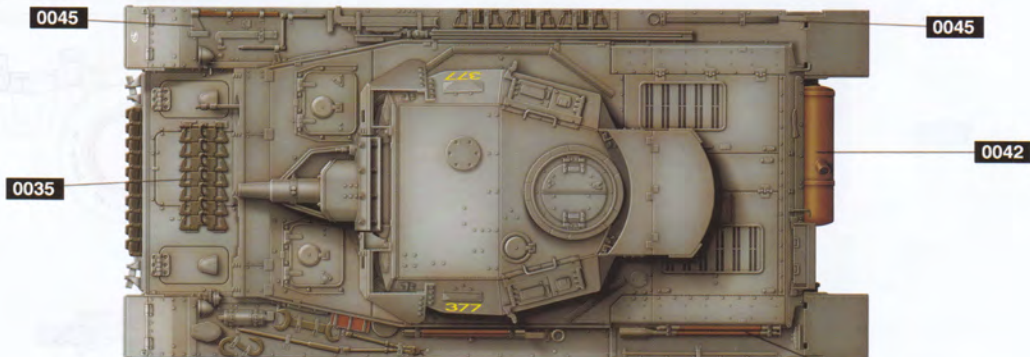
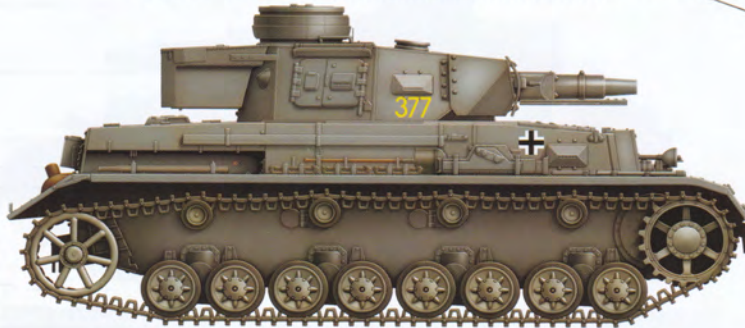
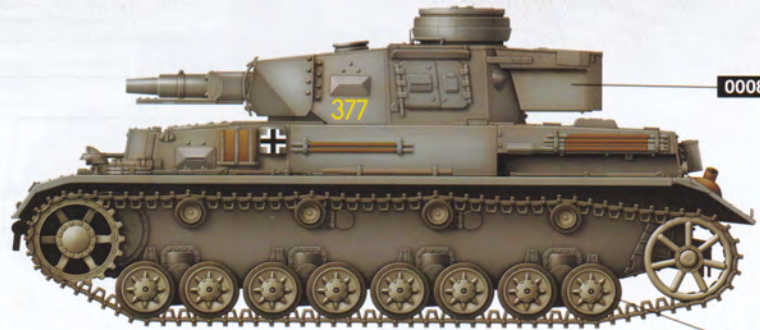
**8 GREASE & OIL**

A.MIG-1408 Fresh Engine Oil

## PAINTING AND MARKING GUIDE

**BORDER MODEL REF: BT-003** Panzer IV f1 Vorpanzer 24th Panzer Division

 A.MIG-0033 Rubber & Tires	 A.MIG-0035 Dark Tracks	 A.MIG-0037 New Wood	 A.MIG-0042 Old Rust
 A.MIG-0045 Gun Metal	 A.MIG-0008 Dunkelgrau		




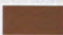




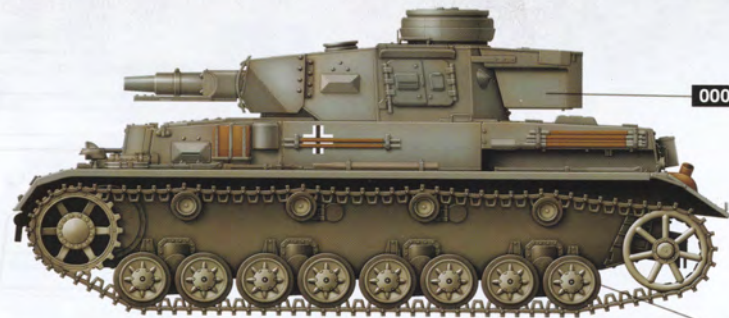
### WEATHERING STEPS WITH AMMO PRODUCTS

- |   |  |  |  |
|---|--|--|--|
| <b>1</b> GENERAL WASH<br>A.MIG-1006 Blue Wash for Panzer Grey | <b>3</b> STREAKING<br>A.MIG-1202 Streaking Grime for Panzer Grey | <b>5</b> TRACKS WASH<br>A.MIG-1002 Tracks Wash | <b>7</b> MUD & SPLASHES<br>A.MIG-1702 Turned Earth A.MIG-1751 Dry Steppe |
| <b>2</b> FILTER<br>A.MIG-1509 Blue for Dark Grey              | <b>4</b> RAINMARKS<br>A.MIG-1208 Rainmarks Effects               | <b>6</b> DUST<br>A.MIG-3013 Rubble             | <b>8</b> GREASE & OIL<br>A.MIG-1408 Fresh Engine Oil                     |

## PAINTING AND MARKING GUIDE

BORDER MODEL REF: BT-003 Panzer IV f1 Vorpanzer Hansi

 A.MIG-0033 Rubber & Tires	 A.MIG-0035 Dark Tracks	 A.MIG-0037 New Wood	 A.MIG-0042 Old Rust
 A.MIG-0045 Gun Metal	 A.MIG-0008 Dunkelgrau		



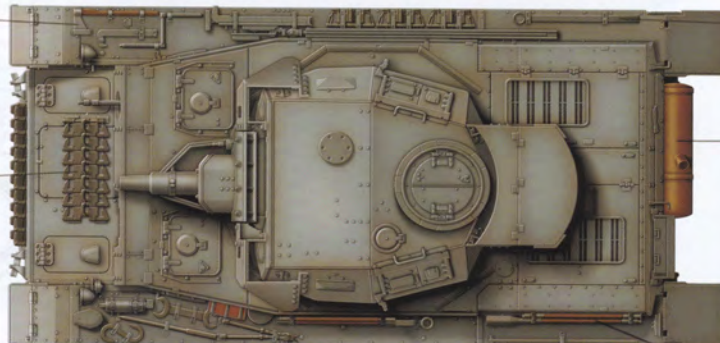
0008

0033



0045

0045



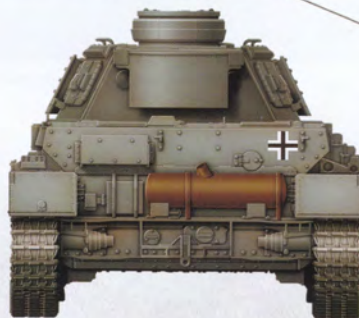
0042

0035

0037



0035



Hansi

### WEATHERING STEPS WITH AMMO PRODUCTS

**1 GENERAL WASH**

A.MIG-1006 Blue Wash for Panzer Grey

**2 FILTER**

A.MIG-1509 Blue for Dark Grey

**3 STREAKING**

A.MIG-1202 Streaking Grime for Panzer Grey

**4 RAINMARKS**

A.MIG-1208 Rainmarks Effects

**5 TRACKS WASH**

A.MIG-1002 Tracks Wash

**6 DUST**

A.MIG-3004 Europe Earth

**7 MUD & SPLASHES**

A.MIG-1704 Heavy Earth A.MIG-1753 Turned Dirt

**8 GREASE & OIL**

A.MIG-1408 Fresh Engine Oil

