

# Martin AM-1 (early) Mauler

SIGA  
model  
72015



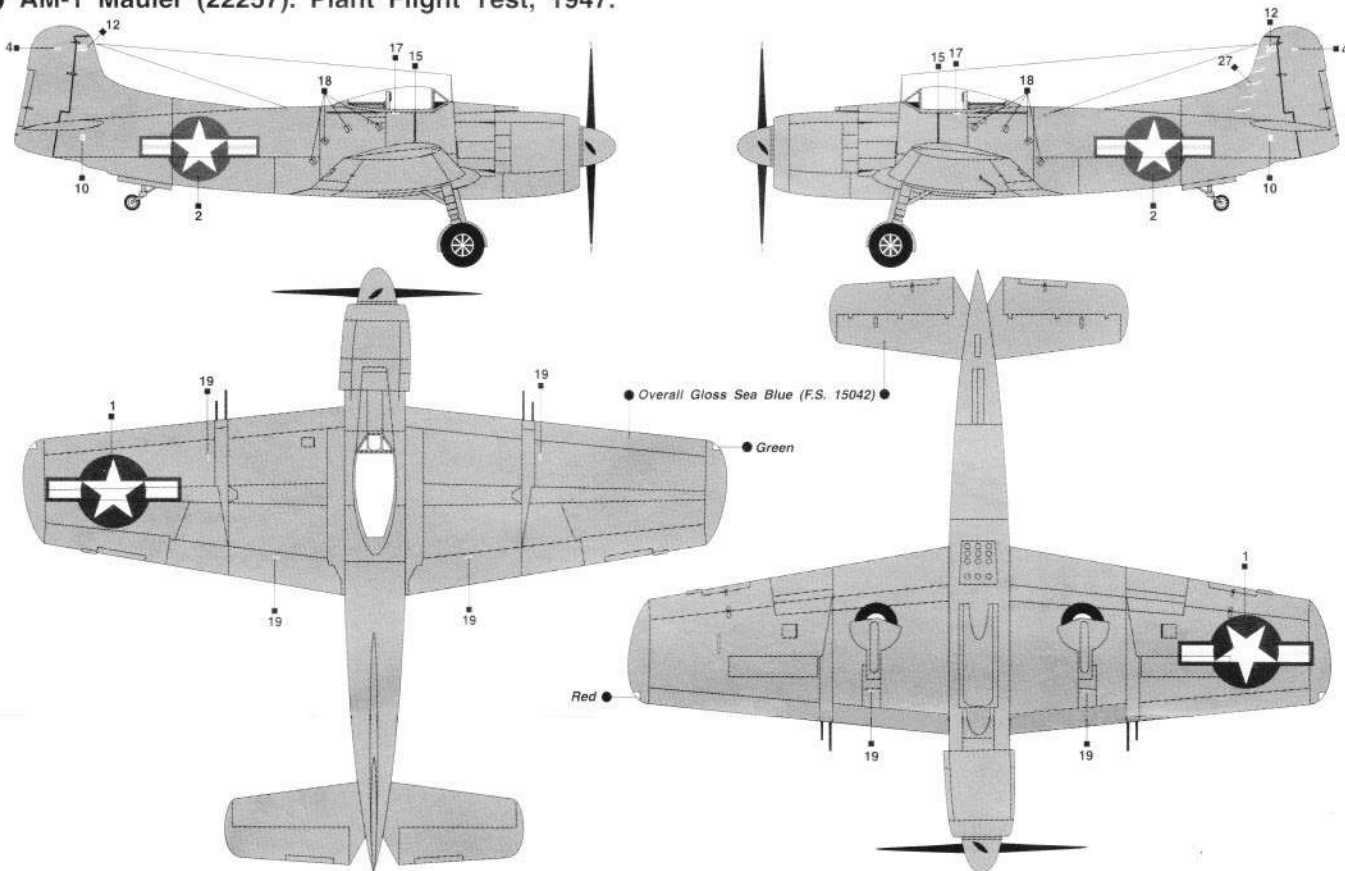
For development of model are used materials of the book "Naval fighters number twenty four Martin AM-1 Mauler" by Bob Kowalski. Special thank's to Bob Kowalski and Steve Ginter.

## SPECIFICATION

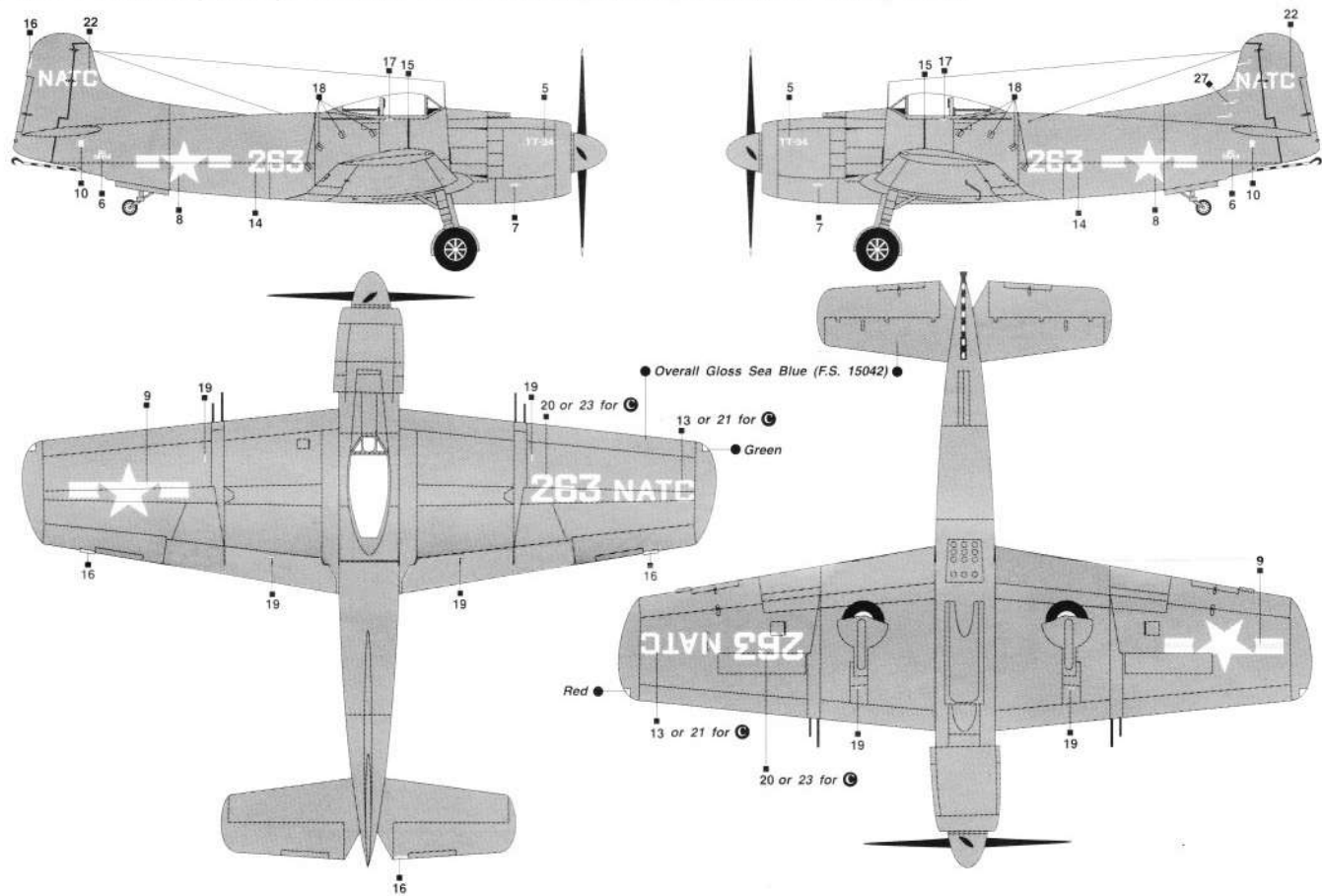
Length: (42'2") 12.8 m  
Height: (16'10") 5.1 m  
Wingspan: (51') 15.2 m  
Wingarea: (496.0 sq ft) 46.0 sq m  
Empty Weight: (14,500 lb) 6,575 kg  
Gross Weight: (23,386 lb) 10,605 kg  
Powerplant: Wright R-3350-4, 2975 hp

## PAINTING & DECALS GUIDE

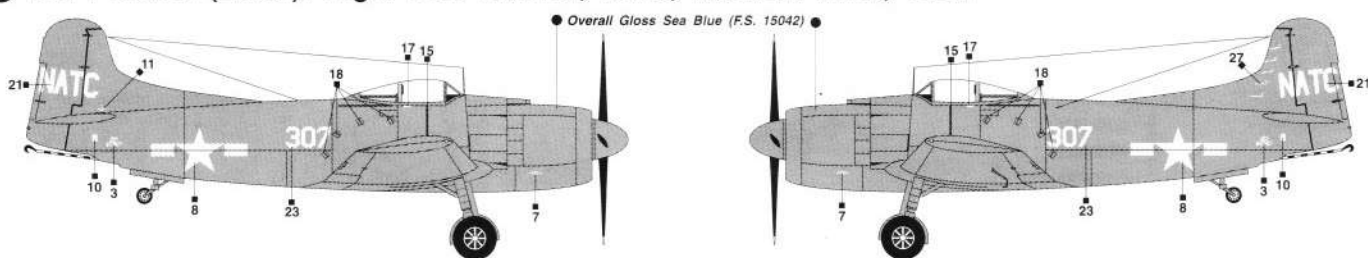
### A AM-1 Mauler (22257). Plant Flight Test, 1947.



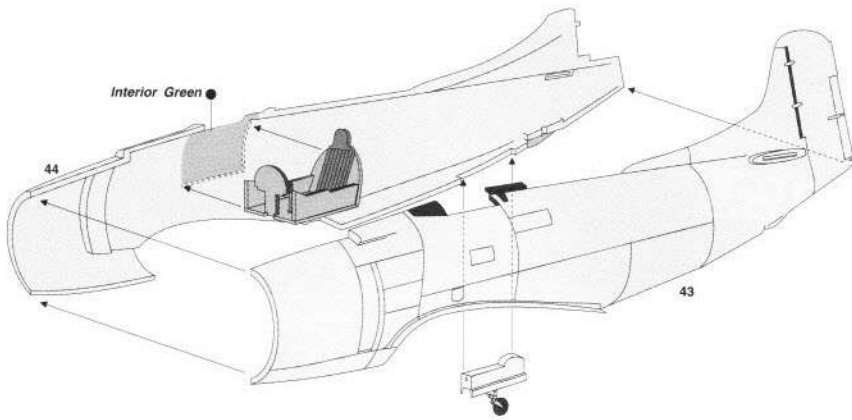
### B AM-1 Mauler (22263). Tactical Test Division, NATC, Patuxent River, 1948.



### C AM-1 Mauler (22307). Flight Test Division, NATC, Patuxent River, 1950.



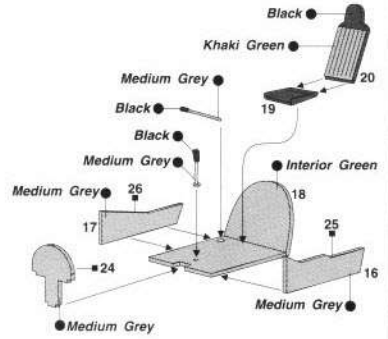
# FUSELAGE ASSEMBLY



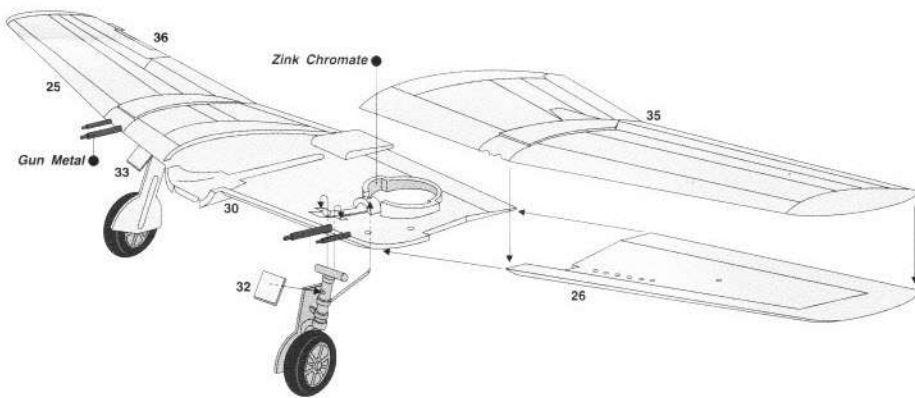
### ★ Before assembling

- Follow the instruction carefully.
- Cut off the parts from the stem with a nipper or cutter.
- When using adhesive, apply it to both parts to be cemented. Please take care not to apply too much adhesive.
- Pay attention to proper fitting of each parts using cello-tape before cementing the parts.

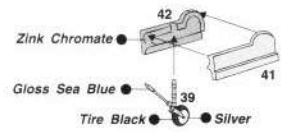
## COCKPIT ASSEMBLY



## WINGS ASSEMBLY

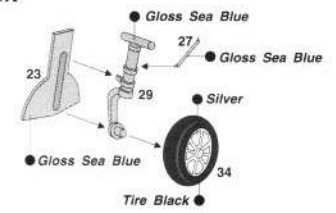


## TAIL GEAR ASSEMBLY

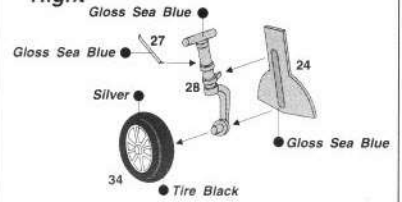


## MAIN GEAR ASSEMBLY

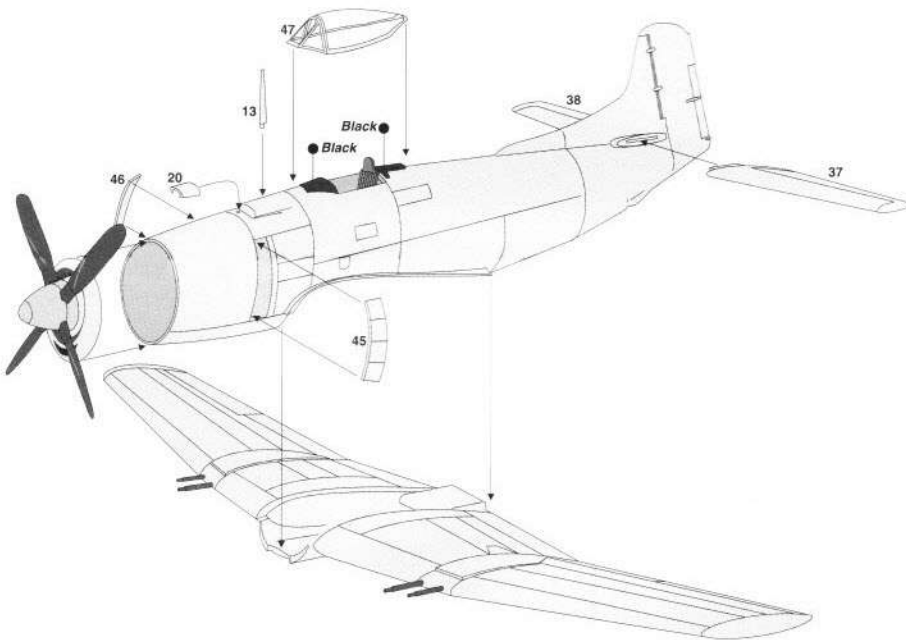
Left



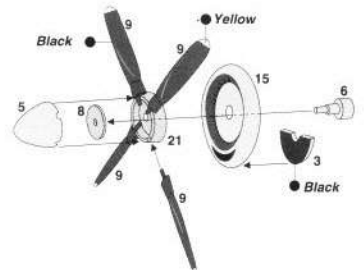
Right



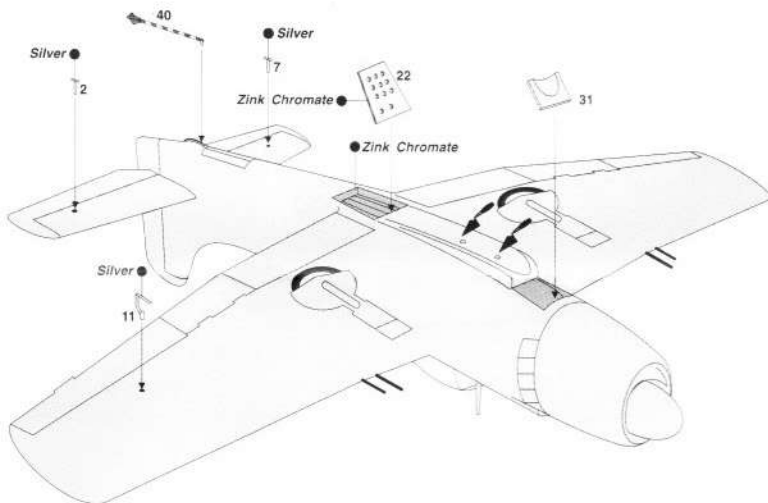
## MAIN ASSEMBLY



## PROP ASSEMBLY

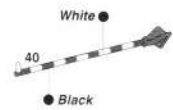


## LOWER SURFACE ASSEMBLY

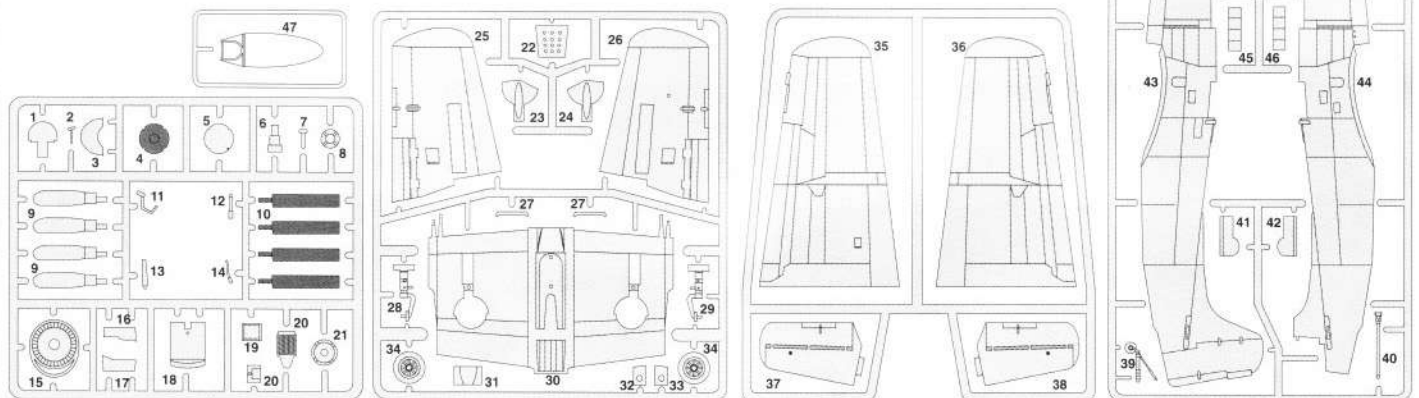


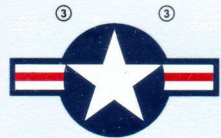
## ARRESTING HOOK

Use for B & C variants

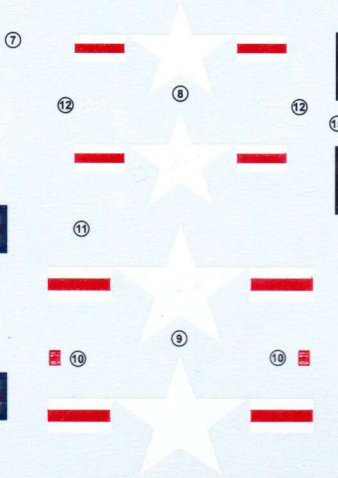


	Putty
	Parts not for use
	Paint colors
	Remove
	Variant
	Decals

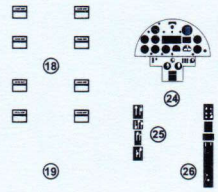




NATC 263  
NATC 263



NATC NATC  
NATC NATC  
NATC NATC



307  
307  
307  
307  
263  
263

