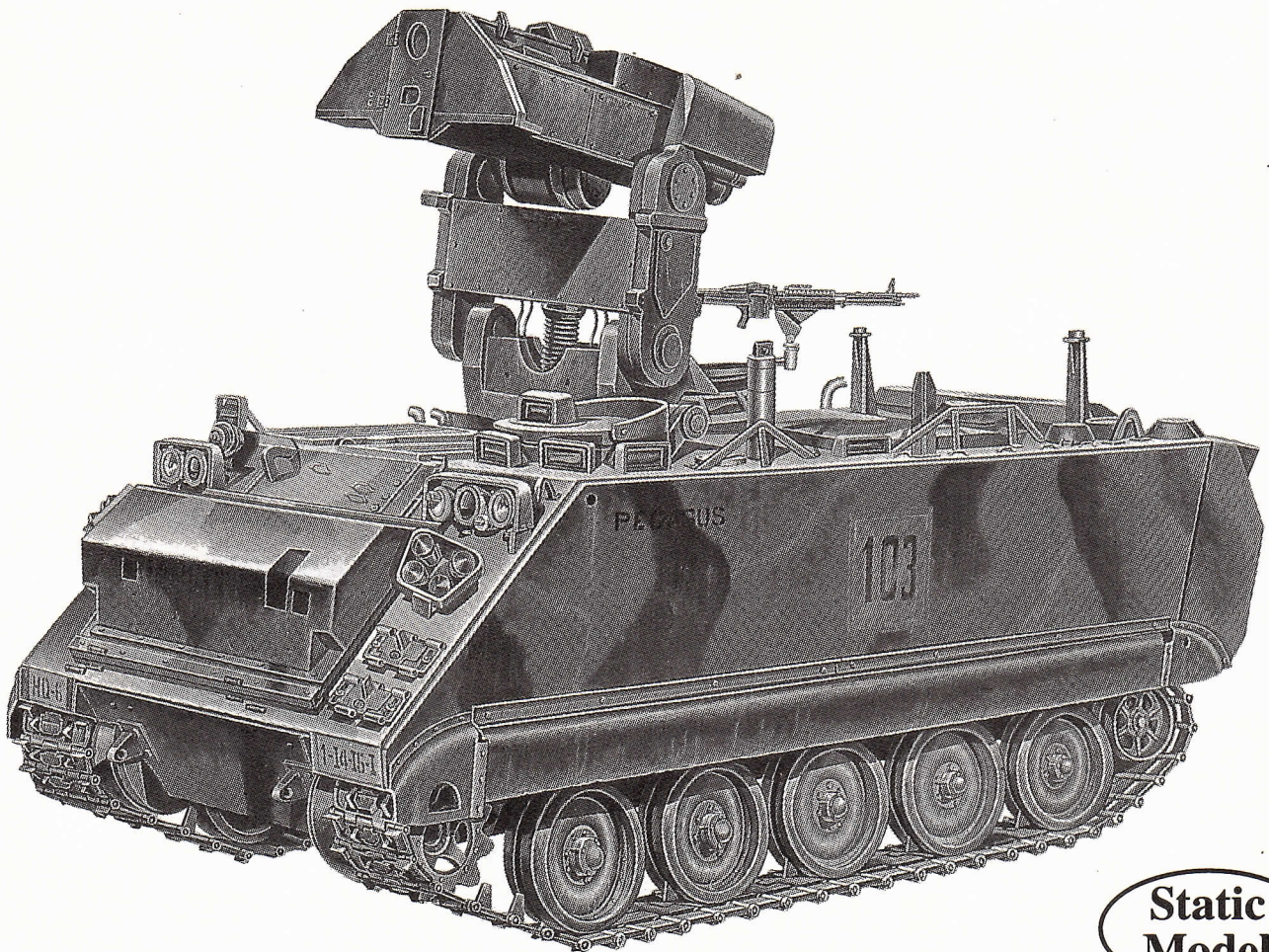


**ACADEMY**

HOBBY MODEL KITS

# M981 FISTV

**Static  
Model**

## ■ M981 FIRE SUPPORT TEAM VEHICLE

**1/35TH SCALE**

The M981 Fire Support Team Vehicle(FISTV) is used as an artillery forward observer vehicle in accordance with the fire support team concept. The weapons station on the M981 contains the AN/TVQ-2 ground & vehicle laser locator designator with northfinding module and line-of-sight subsystem, land navigation system and extensive communications equipment.

The turret of the M981 is designed to mimic that of the M901, thus making the vehicle less conspicuous to enemies. The M981 incorporates the armored external fuel tank system for increased stowage capability and increased crew survivability.

The first conversions from M113A2 chassis began in 1983 and the first production vehicles appeared in December, 1984. The U.S.Army has a total requirement for 967 FISTVs. First deliveries to units of U.S.Army were made in 1985 and issue will be completed in 1990. The FISTV fitted with the RISE power package are now designated the M981A3.



Cement Parts  
Coller  
Kleben  
Pegar  
Incollare  
Cola  
Kleben



DO NOT cement  
Ne pas coller  
Nicht kleben  
No pegar  
Non incollare  
Nao colar  
Niet kleven



Cut away  
Couper  
Scheiden  
Cortar  
Tagliare  
Cortar  
Snijden



Optional parts  
Choix  
Auswahlmöglichkeit  
Eleccion  
Scelta  
Opcao  
Keuze



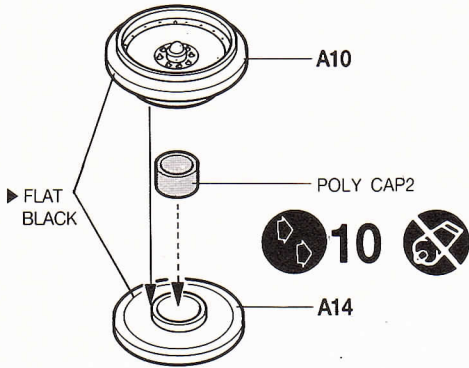
**3**

Repeat operation  
Répéter l'opération  
Vorgang wiederholen  
Repitir la operacion  
Ripetere  
Repitir a operação  
Herhalen

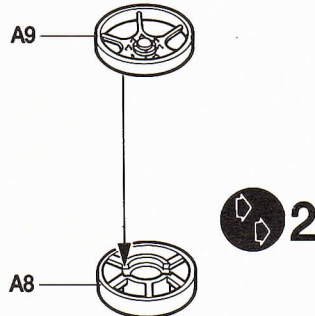
※ ( ) IS OPPOSITE NUMBER.

# 1 WHEEL ASSEMBLY

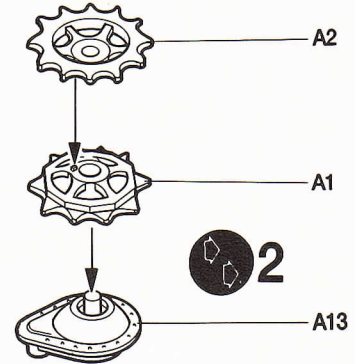
## ROAD WHEEL



## IDLER WHEEL

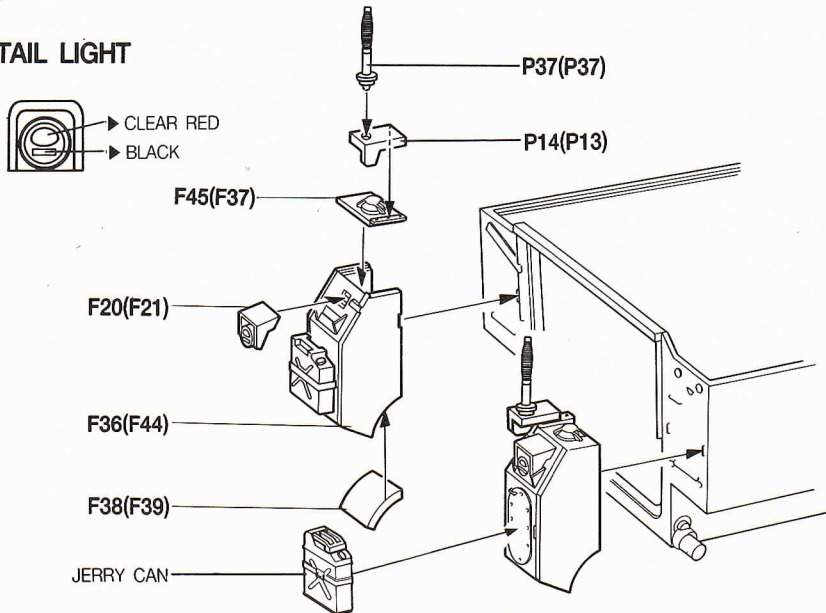


## DRIVE SPROCKET

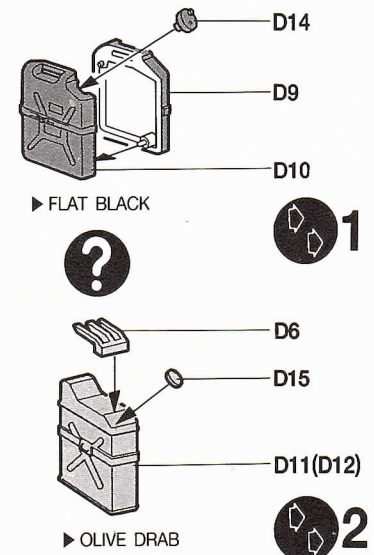


# 2 REAR HULL ASSEMBLY

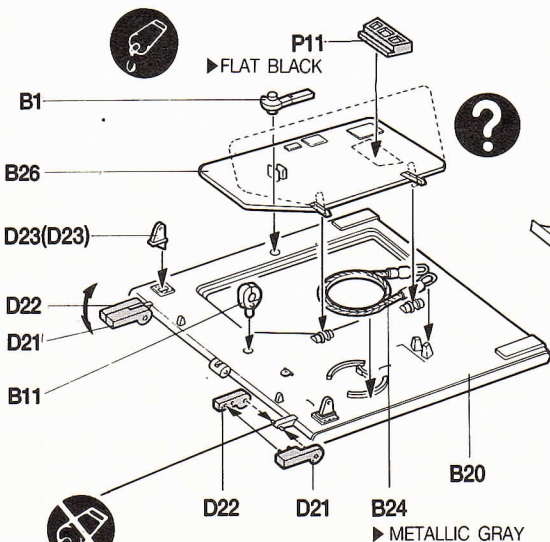
## TAIL LIGHT



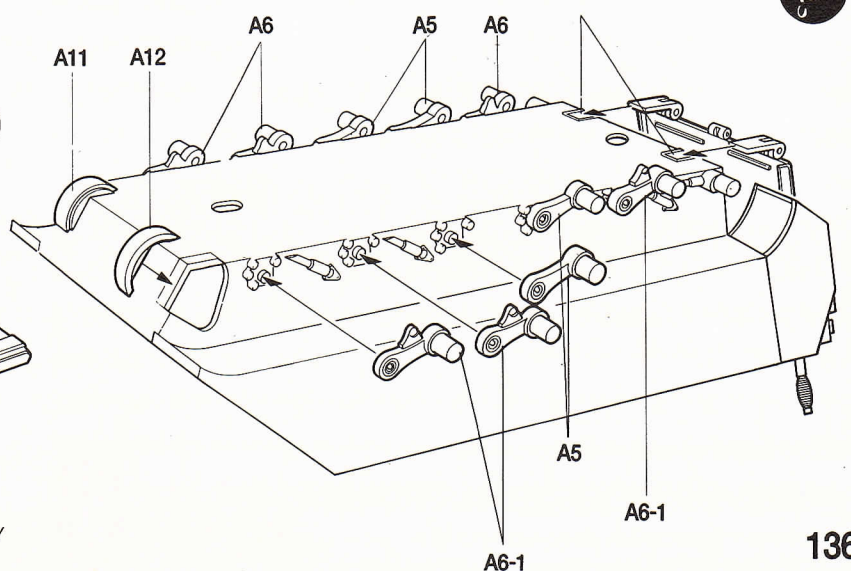
## JERRY CAN



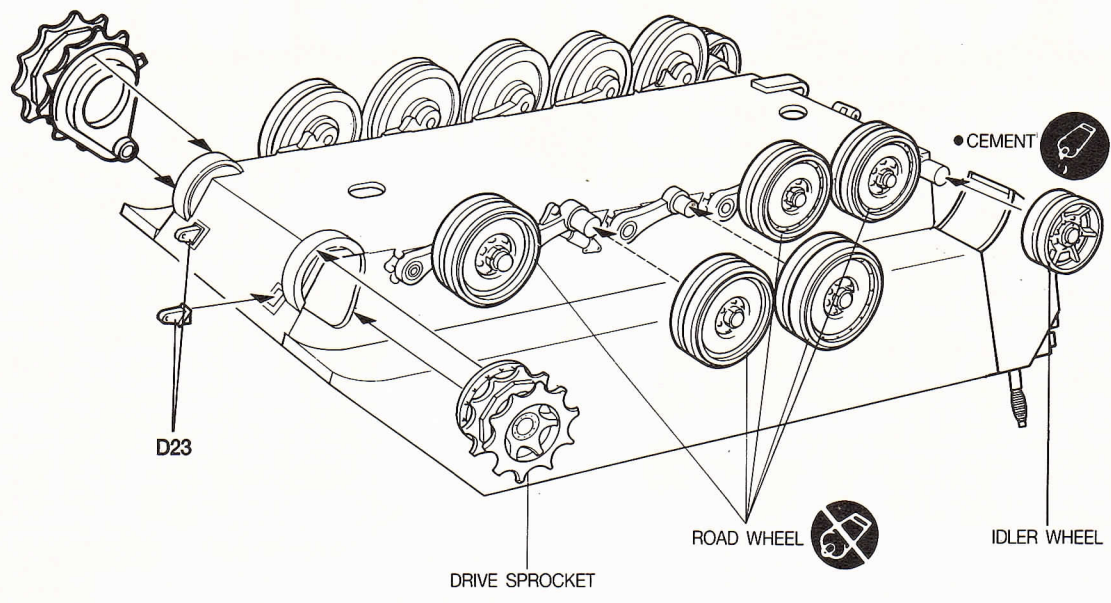
# 3 REAR DOOR ASSEMBLY



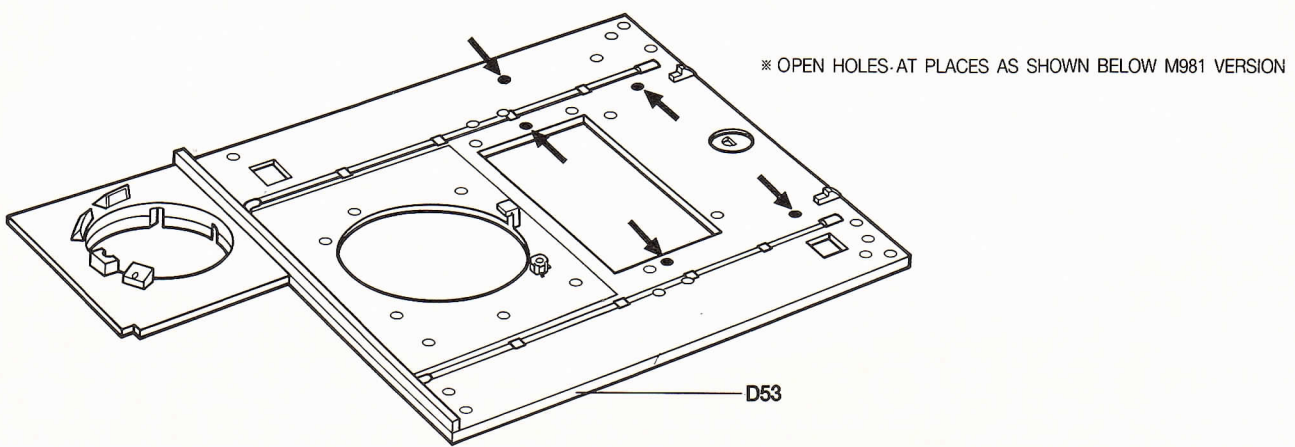
# 4 SUSPENSION ASSEMBLY



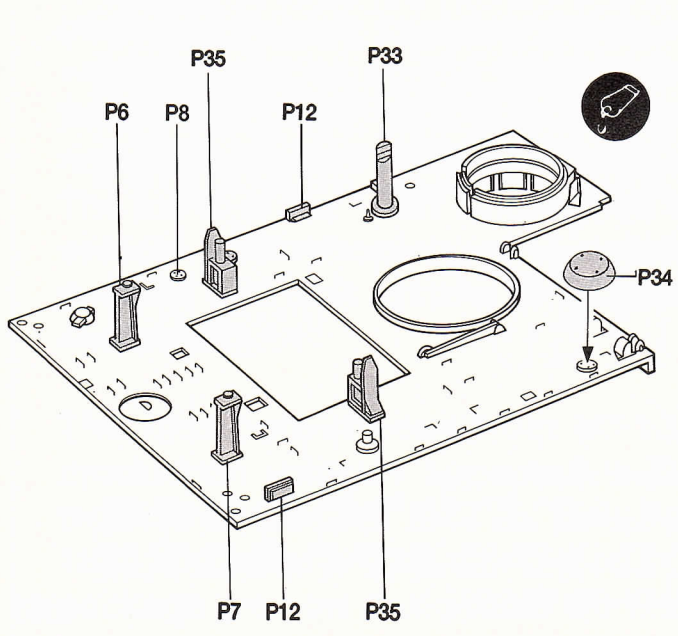
# 5 WHEEL INSTALLATION



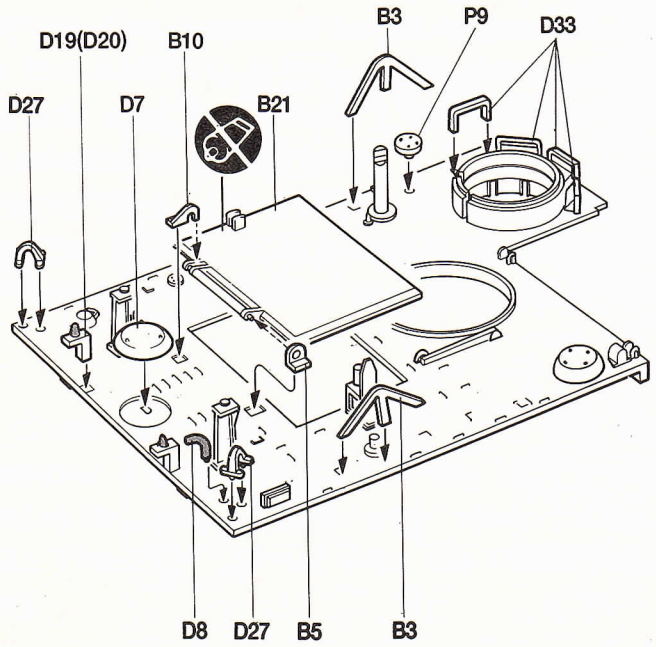
# 6 OPEN HOLES



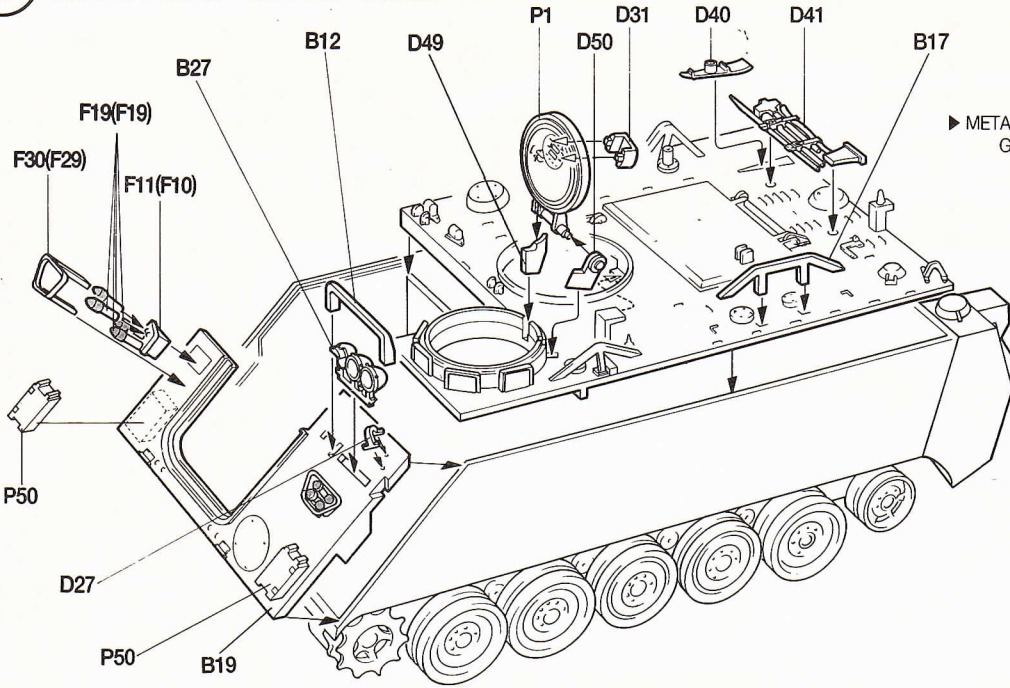
# 7 UPPER HULL ASSEMBLY I



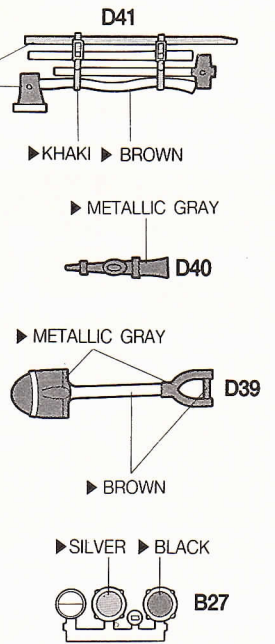
# 8 UPPER HULL ASSEMBLY II



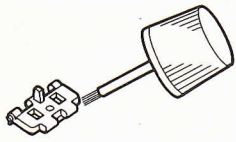
## 9 ATTACHING UPPER HULL



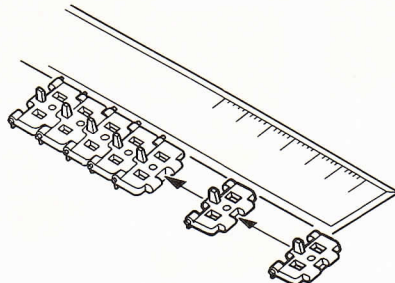
### ■ EQUIPMENT PAINTING



## 10 INDIVIDUAL TRACKS ASSEMBLY

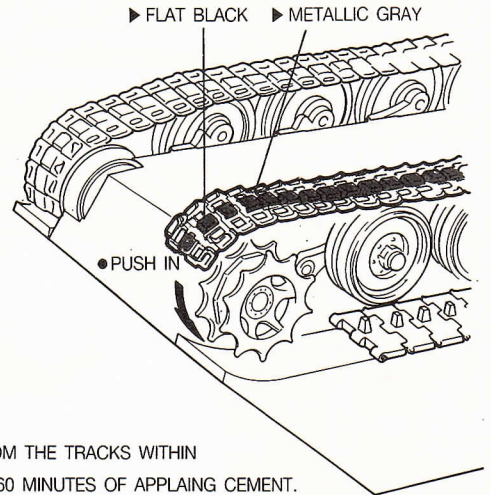


① ASSEMBLE THE 60 PCS TRACKS EACH. USE CEMENT SPARINGLY.



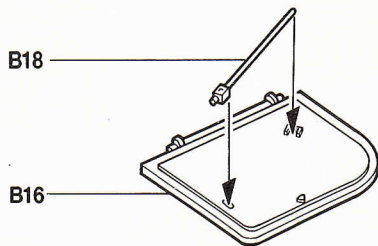
② ASSEMBLE THE TRACKS AGAINST A STRAIGHT EDGE AS SHOWN.

※ ×1: SPARE TRACK.

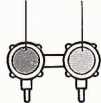


③ FROM THE TRACKS WITHIN 30-60 MINUTES OF APPLYING CEMENT.

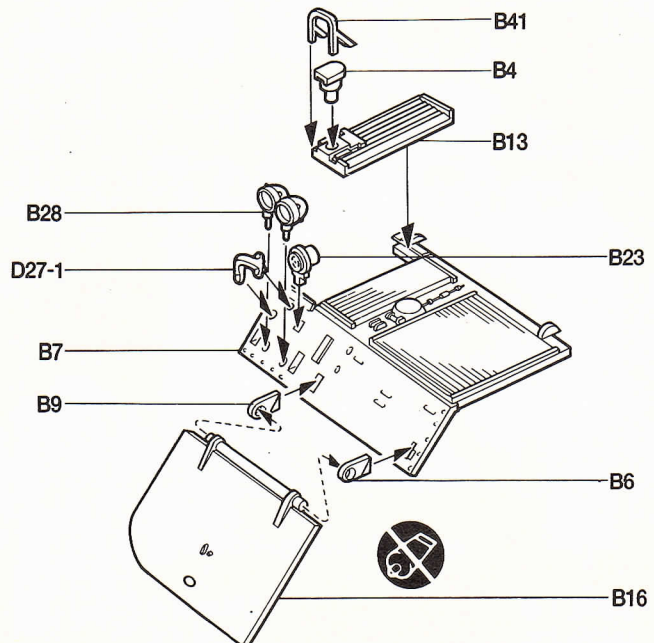
## 11 ENGINE GRILL ASSEMBLY



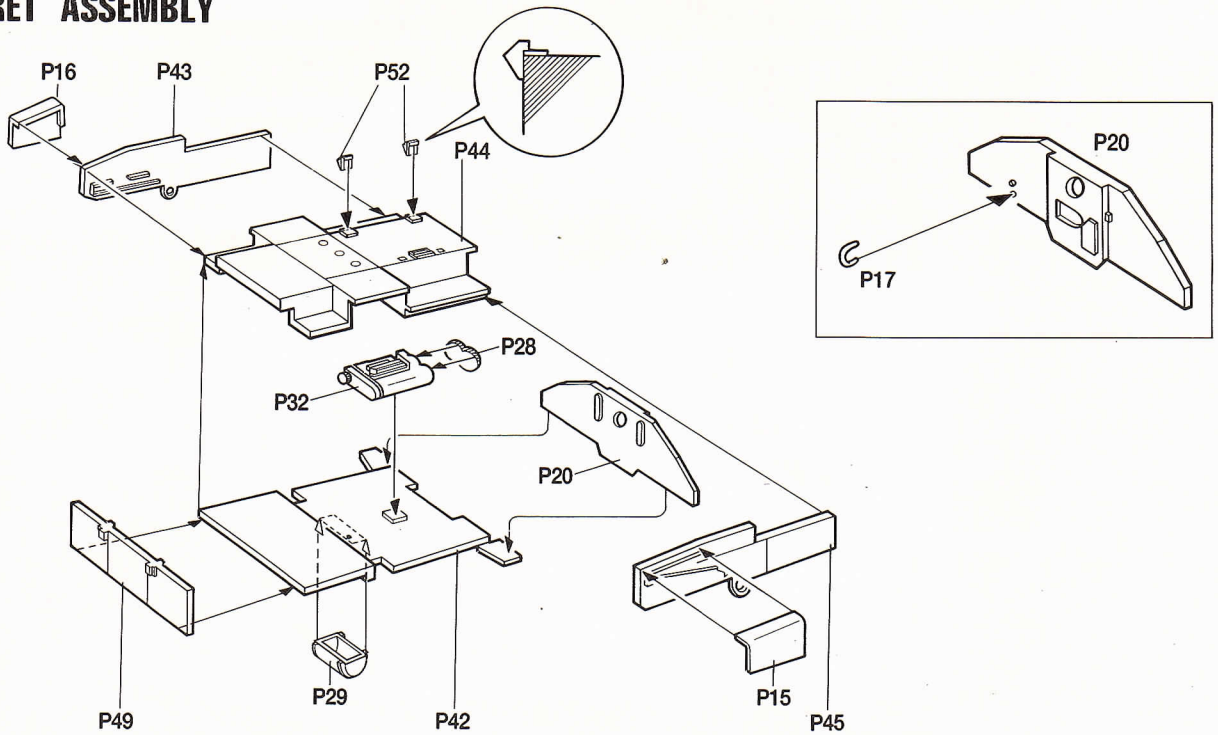
▶ BLACK ▶ SILVER



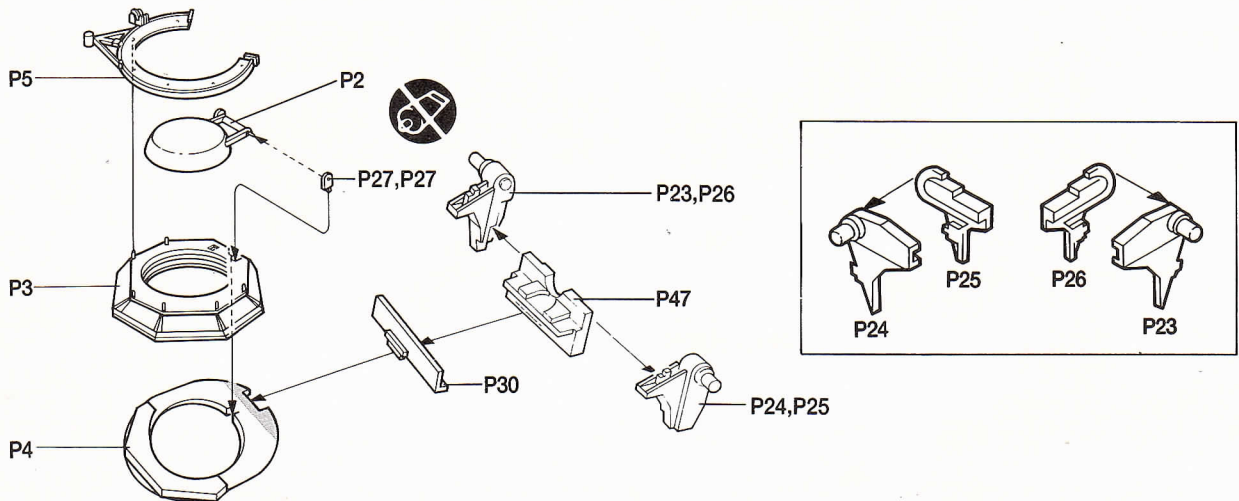
B28



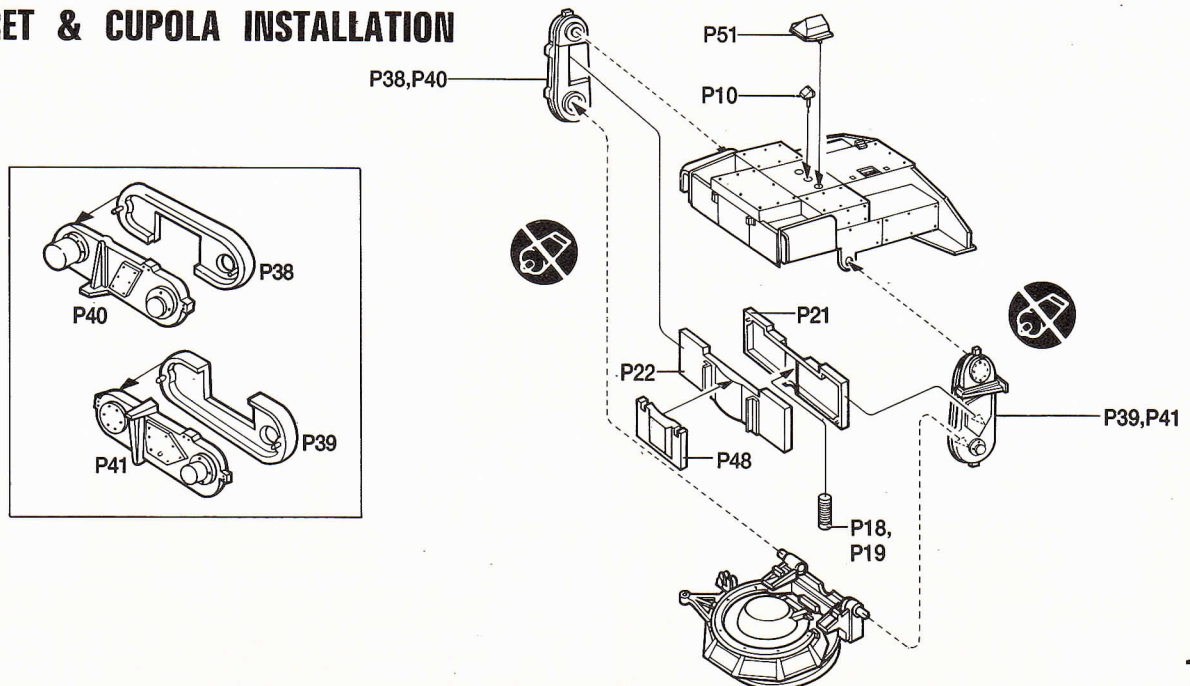
## 12 TURRET ASSEMBLY



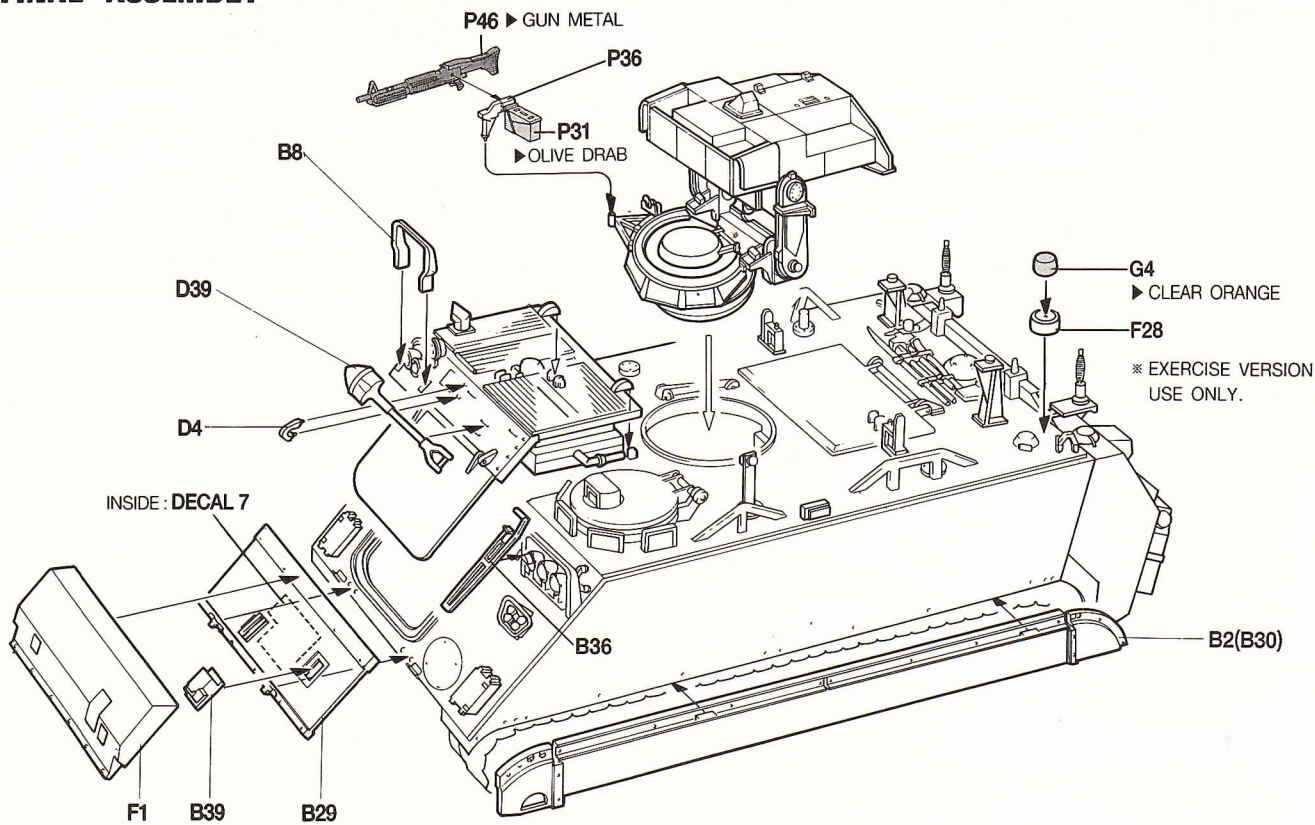
## 13 CUPOLA ASSEMBLY



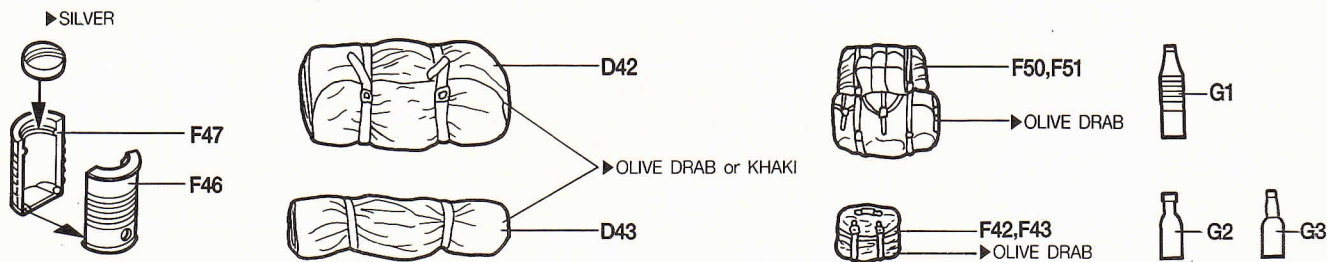
## 14 TURRET & CUPOLA INSTALLATION



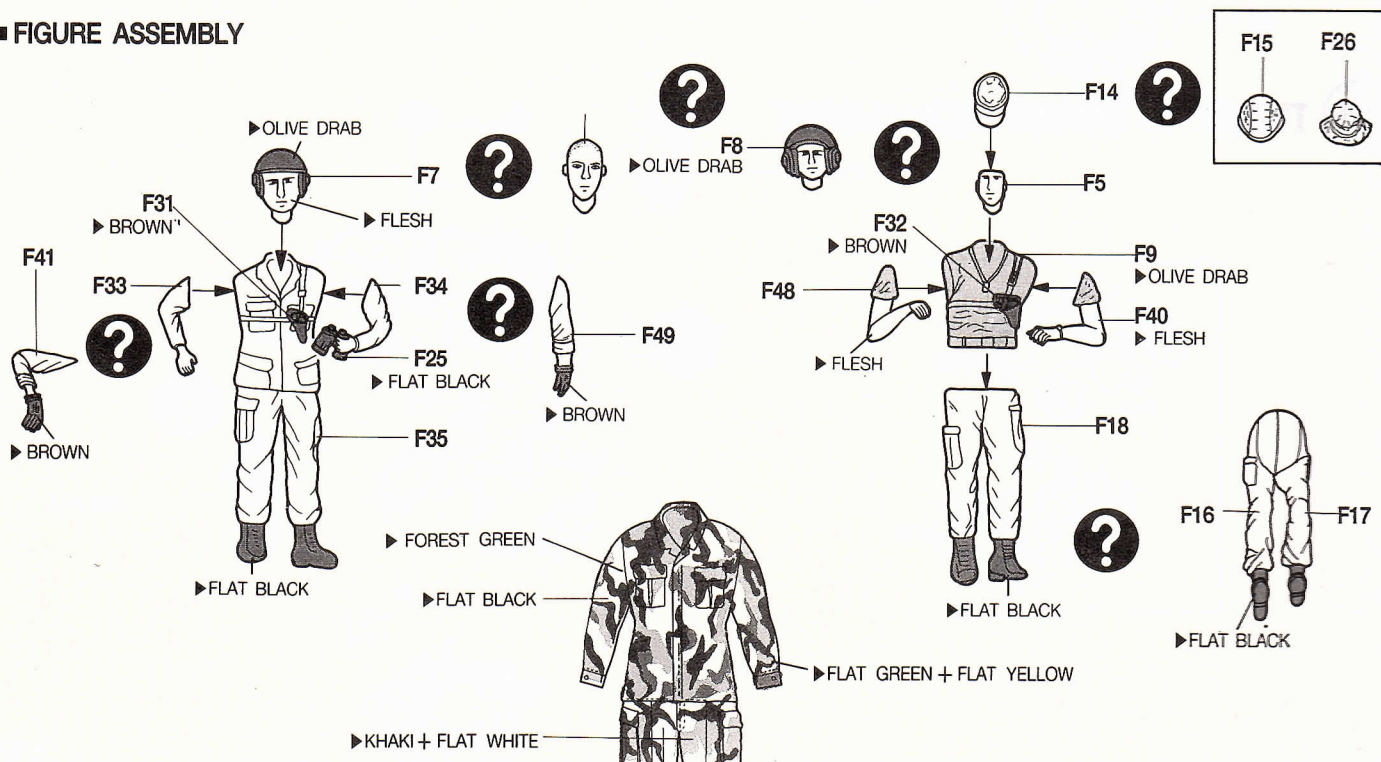
# 15 FINAL ASSEMBLY



## ■ ACCESSORIES



## ■ FIGURE ASSEMBLY



# PAINING & DECAL PLACEMENT

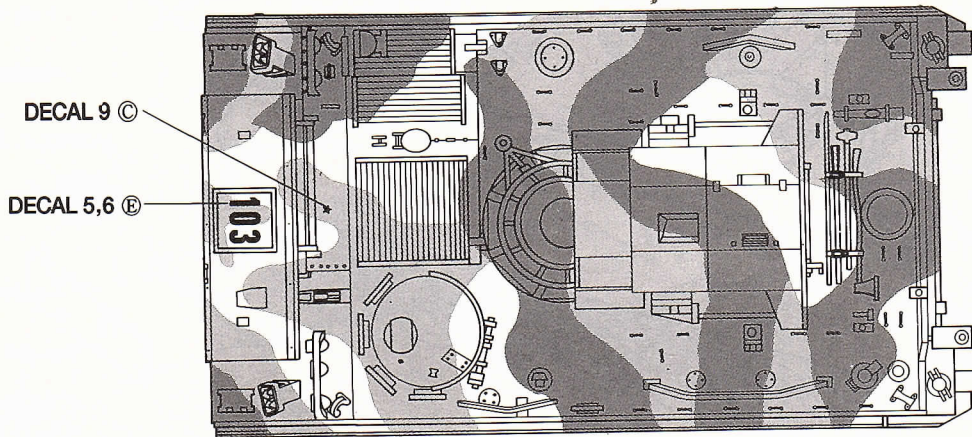
● U.S. ARMY, EUROPE.

FOREST GREEN
  LIGHT BROWN
  FLAT BLACK

● U.S. ARMY, OPERATION DESERT STORM : OVERALL DESERT SAND.

\* CHOOSE BETWEEN EUROPE & DESERT STORM VERSION.

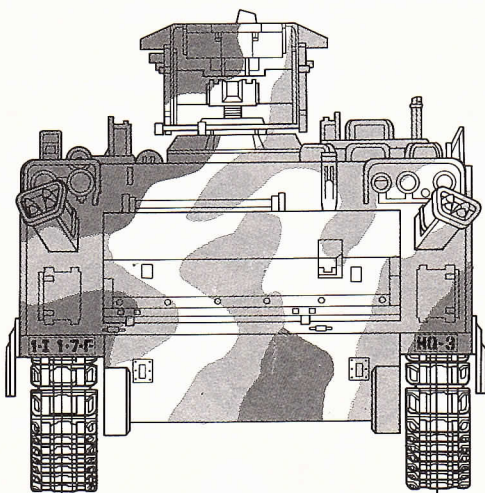
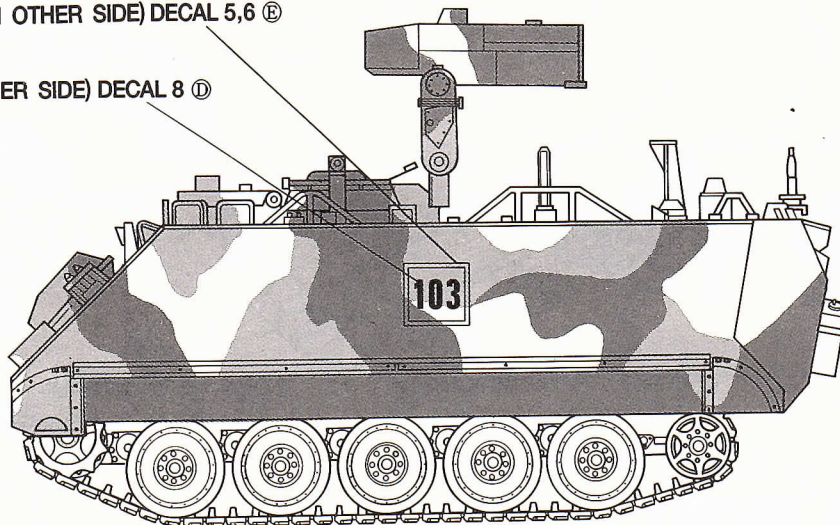
ⓔ:EUROPE ⓐ:COMMON ⓓ:DESERT STORM



\* DECAL 6: CHOOSE TWO or THREE DIGIT NUMBER.

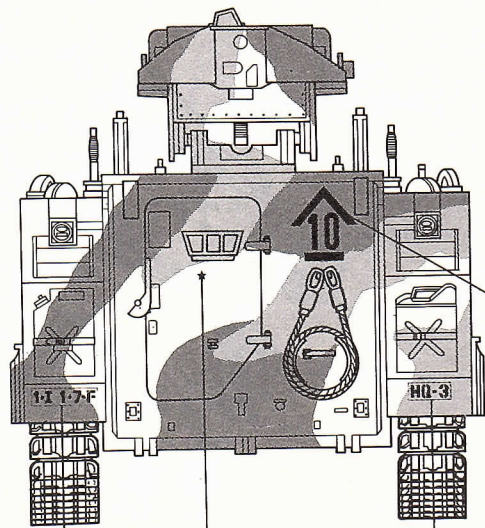
(SAME POSITION OTHER SIDE) DECAL 5,6 ⓔ

(SAME POSITION OTHER SIDE) DECAL 8 ⓓ



DECAL 1 ⓓ  
DECAL 2 ⓔ

DECAL 3 ⓓ  
DECAL 4 ⓔ



DECAL 1 ⓓ  
DECAL 2 ⓔ

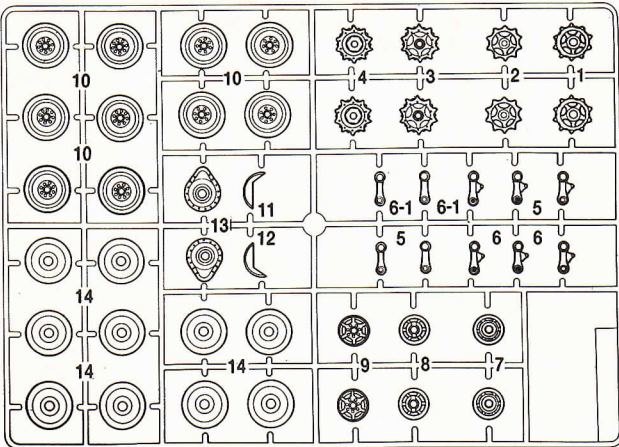
DECAL 9 ⓐ

DECAL 3 ⓓ  
DECAL 4 ⓔ

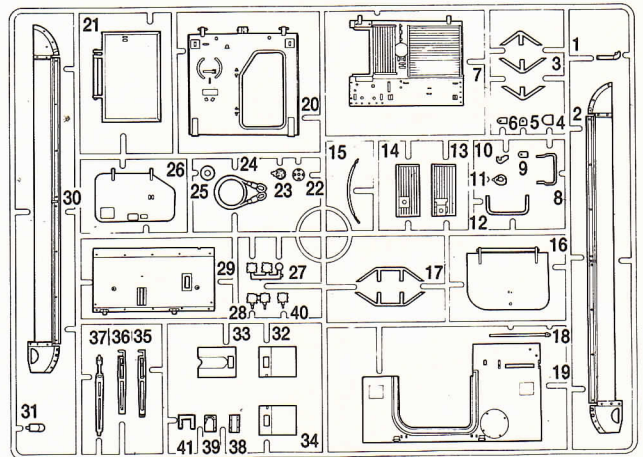
DECAL 8 ⓓ

# PARTS LOCATING DIAGRAM

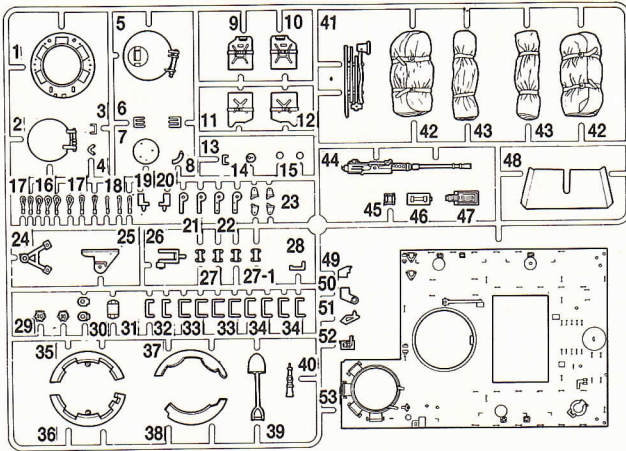
**A**



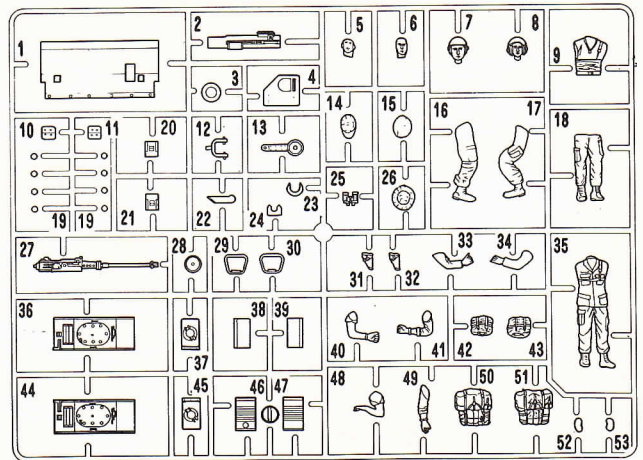
**B**



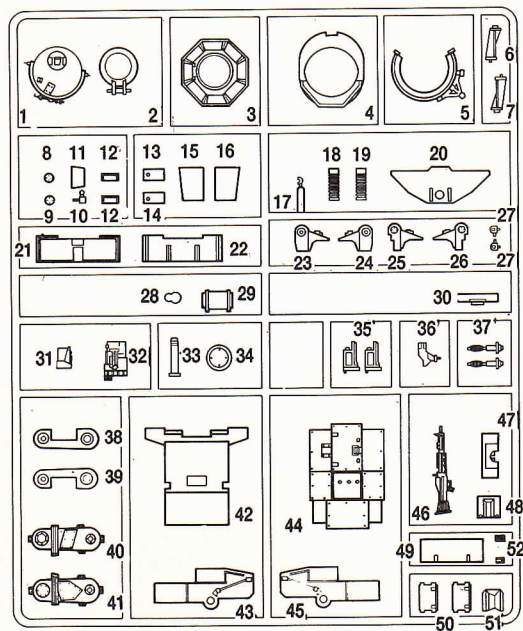
**D**



**F**

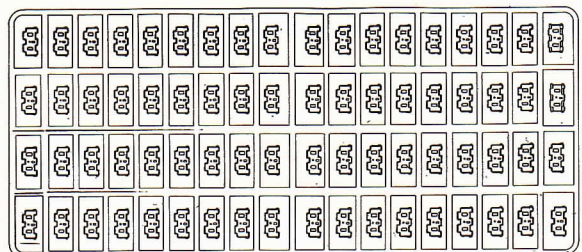


**P**

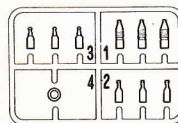


**X**

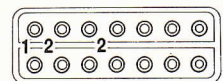
× 2



**G**



POLY CAPS



**UNUSED PARTS:**

A3, A4, A7, B14, B15, B17, B22, B25, B31, B32, B33, B34, B35, B37, B38, B40, D1, D2, D3, D5, D13, D16, D17, D18, D24, D25, D26, D28, D29, D30, D32, D34, D35, D36, D37, D38, D44, D45, D46, D47, D48, D51, D52, F2, F3, F4, F12, F13, F22, F23, F24, F27, POLY CAP 1

**1361**

Copyright 1996 Academy Plastic Model Co., Ltd.  
273-64, Suyu-dong, Kangbuk-ku, Seoul, Korea FAX: 82-2-997-3003