

ME-262

INSTRUCTION SHEET

7114601

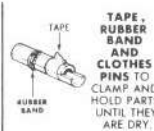
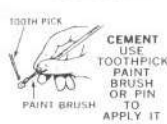


IMPORTANT! READ THESE POINTS BEFORE YOU BEGIN

- 1 "TEST FIT" all parts before cementing. Trim excess plastic from parts before joining.
- 2 Cement parts. Use cement made for styrene plastic only. Do not cement together.
- 3 Paint all sub-assemblies before attaching parts. Use only bottle or spray paint made for styrene plastic. Scrape paint away from surfaces to be cemented together.
- 4 If the multi-position display stand is not used, add weight in the nose.
- 5 Follow all of the numbers on the instruction sheet.
 - 1 White numbers in a star indicate an assembly.
 - 1 Black numbers in a star indicate a completed assembly.
 - 1 Black numbers in a circle indicate part numbers.
- 6 This kit may be built more than one way. Decide on which version you wish to build.

MODELING HINTS:

IMPORTANT NOTE: Do not remove parts from runners until ready to use.

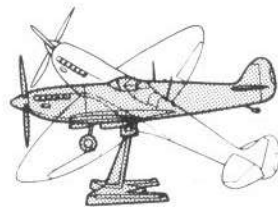


PAINT SUGGESTIONS:

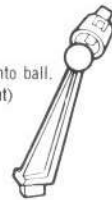
The following suggestions may be of help in painting your model. Allow time for paint to dry thoroughly before handling parts. Refer to box cover for COLOR PLAN and instruction sheet for detail of parts. Paint colors are indicated by Letters (see chart).

BLACK/GREEN a
DARK GREEN b
LIGHT BLUE/GRAY c
MEDIUM GRAY/GREEN d
FLAT BLACK e
STEEL f
FLESH g
YELLOW h
FIELD BLUE i
RUBBER k

MULTI-POSITION DISPLAY STAND



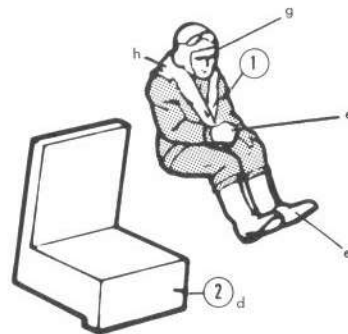
1 Push socket head onto ball. (Do not cement)



2 Cement arm to base.



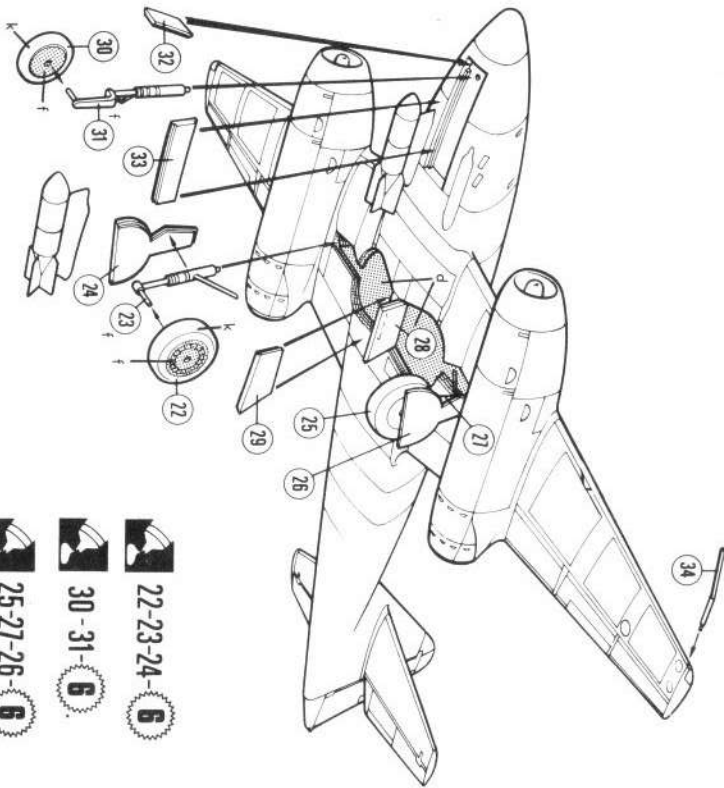
1



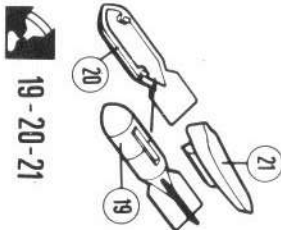
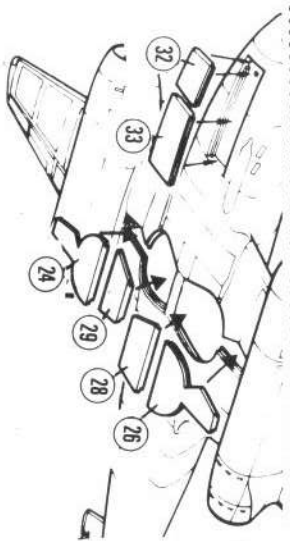
1-2

1

TECHNICAL INFORMATION AND ASSISTANCE BY R.A.T. FINNICKEY



- 22-23-24-6
- 30-31-6
- 25-27-26-6
- 32, 33, 28, 29, 34-6



For FIGHTER/BOMBER use parts numbered

NOTE: For retracted undercarriage, use parts numbered

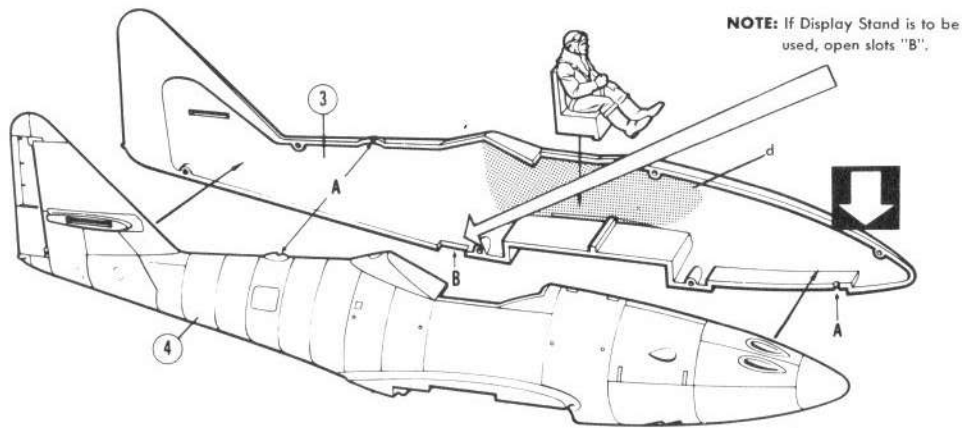
- 28
- 29
- 32
- 33

A MATCHBOX QUALITY PRODUCT

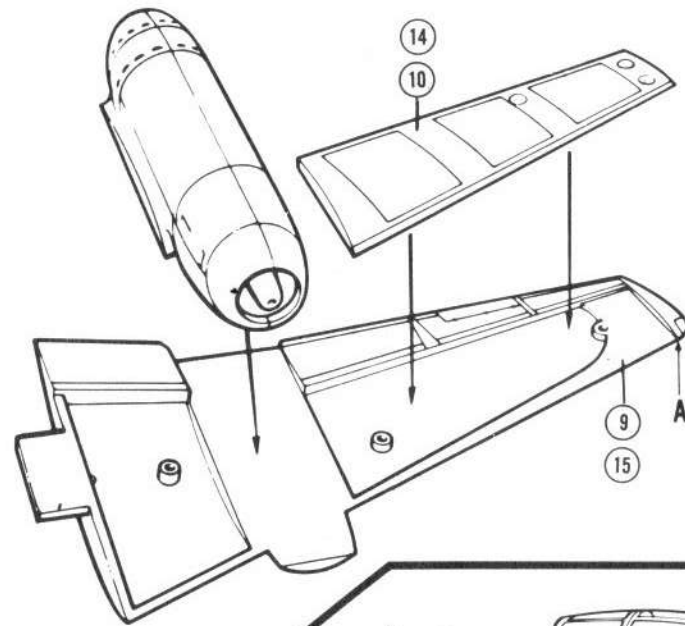
SUBSIDIARY OF LESNEY PRODUCTS CORPORATION • 141 W. COMMERCIAL AVENUE • MOONSBURG, N.J. 07074
"MATCHBOX" AND "AMT" ARE REGISTERED TRADEMARKS OF LESNEY PRODUCTS & CO., LTD. LONDON, ENGLAND

LESNEY AMT CORPORATION P.O. BOX 7338 • BALTIMORE, MD 21227

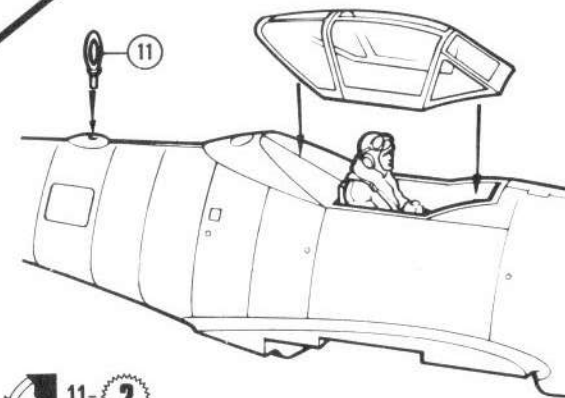
Printed in U.S.A.

2
1-3-4

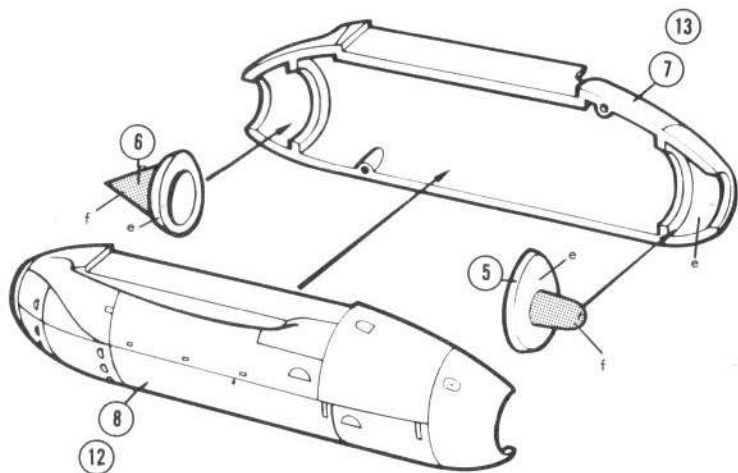
NOTE: Before joining fuselage halves, clear holes "A" (when shown).

4

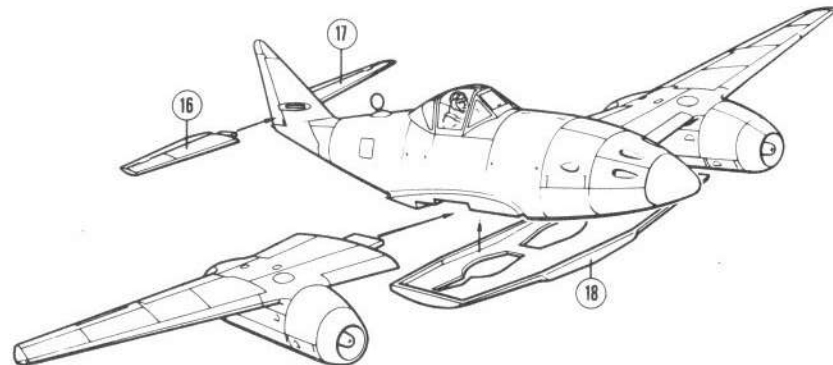
 10-9. **3-9.**

 14-15. **3-15.**
5

11-2

3

5.6-7-8.
 5.6-12-13.

6

4-2
 16.17.18-2