

**ACE**  
HOBBY KIT

# L.T.V F-8E CRUSADER

1/72 ACE PLASTIC MODEL CO.

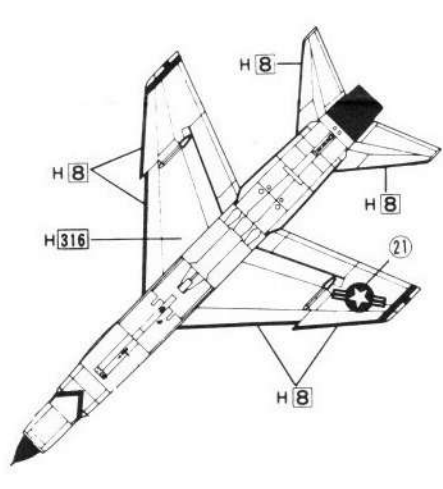
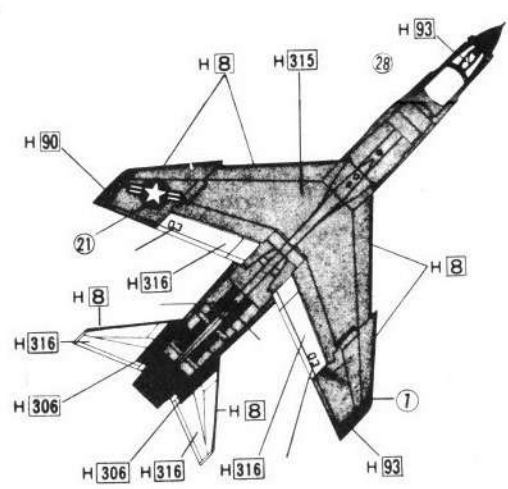
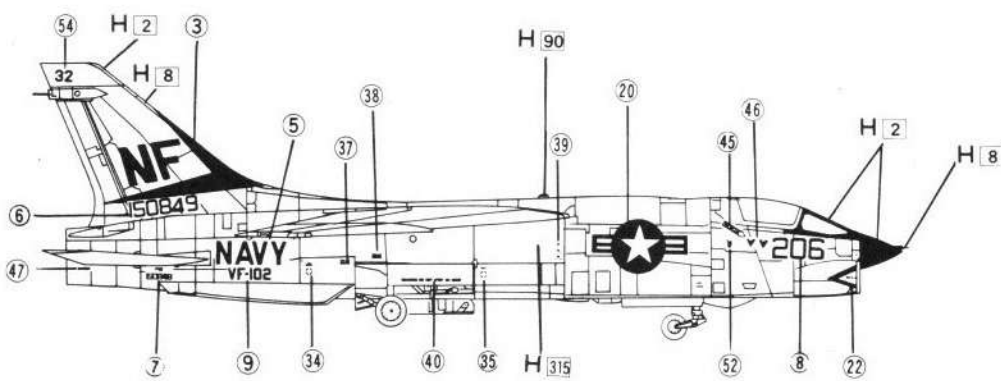
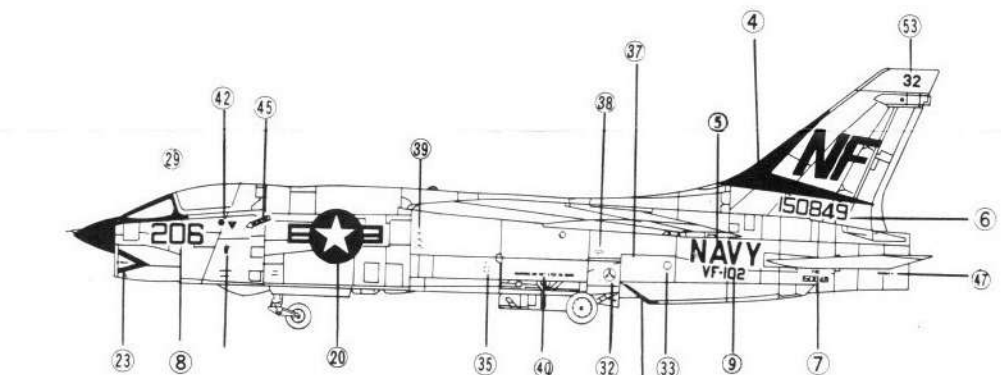
※ 본 제품은 수출품이기  
때문에 내용이  
영문으로 된 것을  
양해하여 주시기 바랍니다.



The L.T.V. F-8 Crusader is the first super-sonic carrier-borne fighter in the world. The Crusader established many records on speed and flight performances since its first flight on March 25, 1955. Though nicknamed in its early days "The Last Gunfighter", the later version, F-8E, became a powerful fighter bomber having wing pylons with the capacity of maximum 4,000 pounds of external stores.

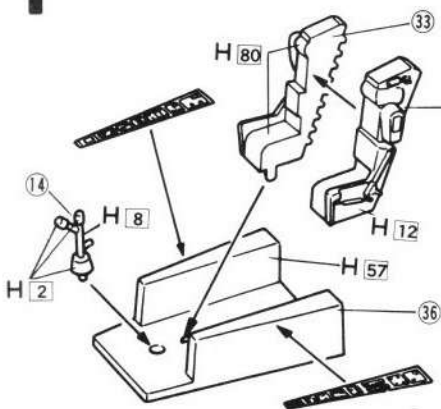
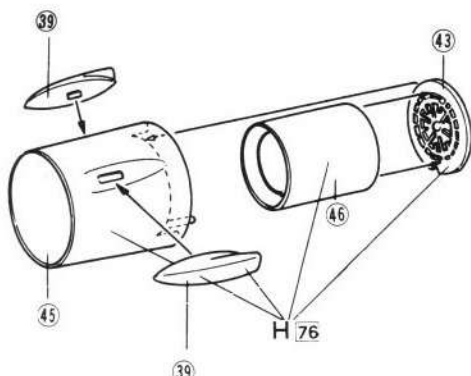
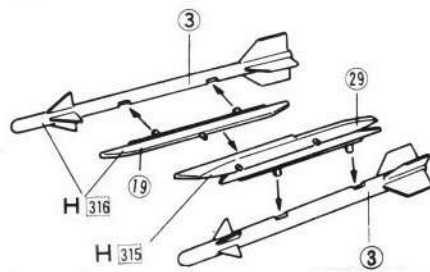
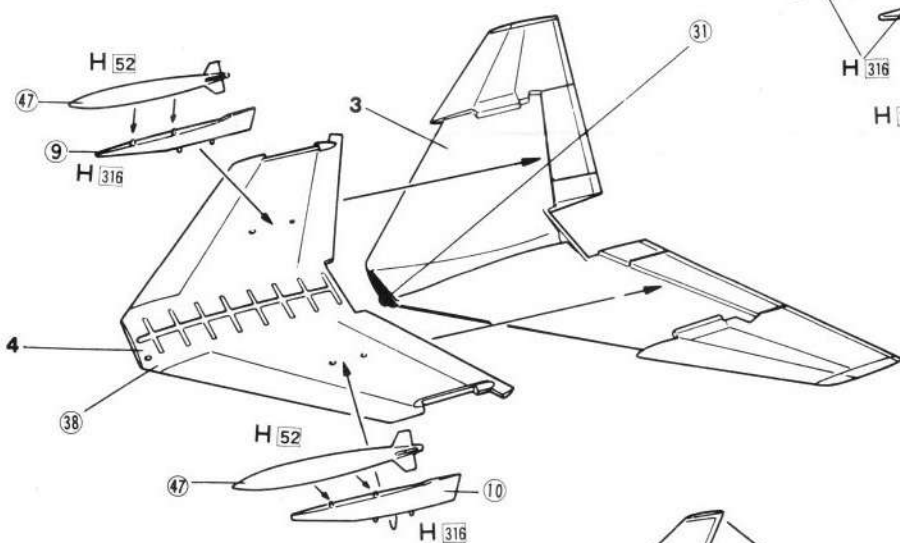
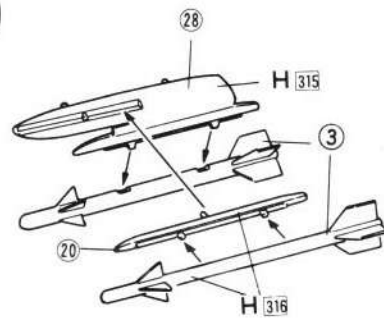
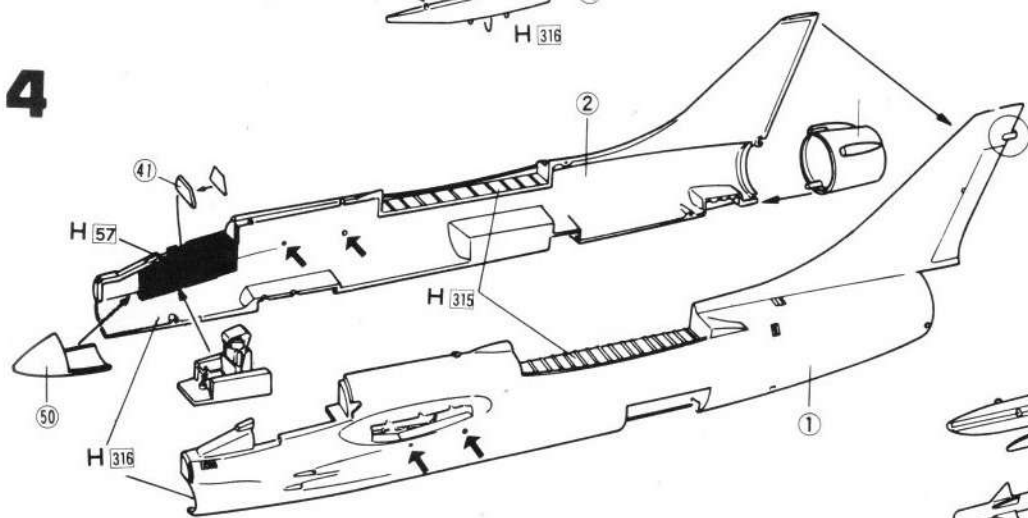
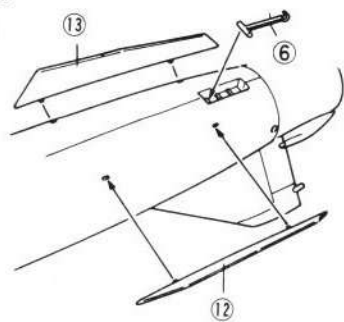
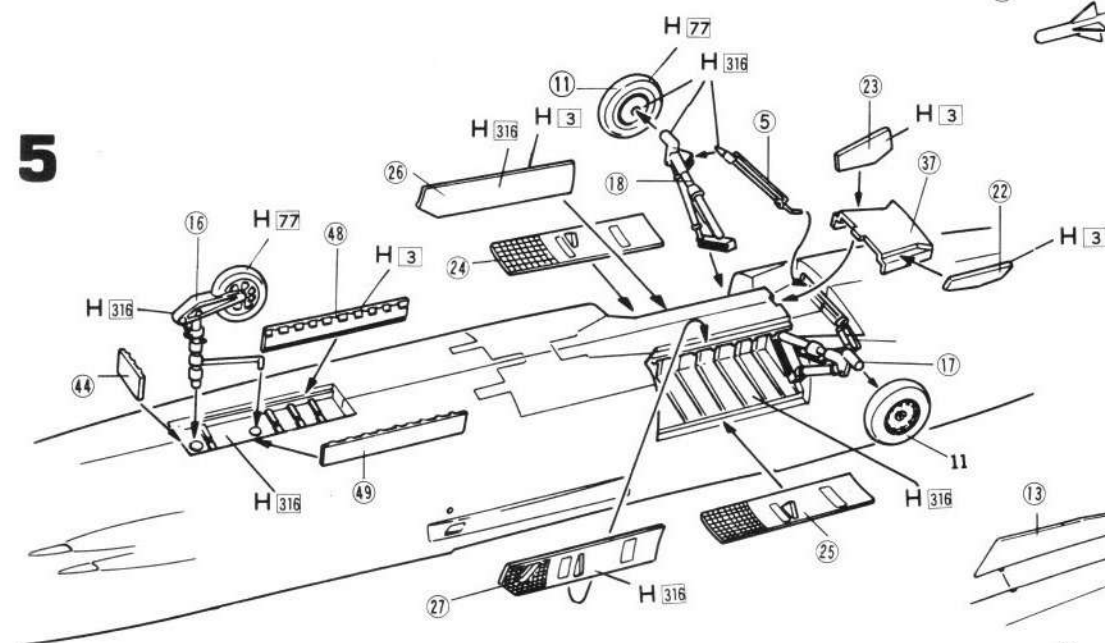
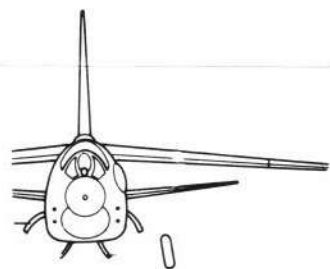
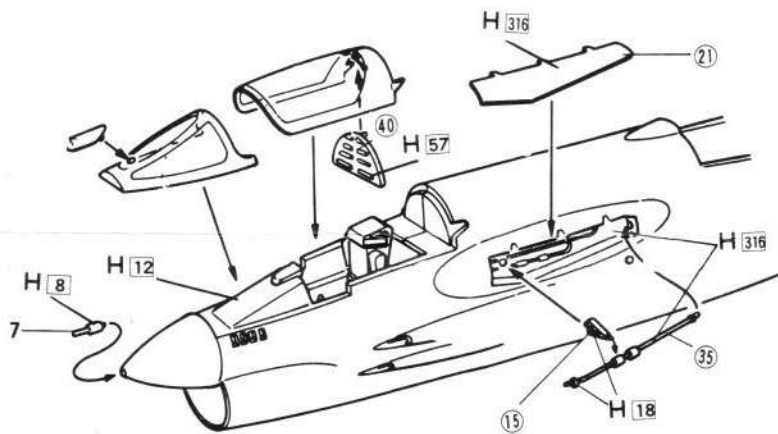
(Data) Crew:1. Wingspan:10.72m, Length:16.61m, Height:4.80m, Max. take-off weight:15,420kg, Powerplant:P & W/J55-P-20 x 1, Thrust:5,170kg (8,165kg with A/B), Max. speed:Mach 1.7/11,000m, Fixed armament:Mk.12 20m/m cannon x 4

## Marking & Painting



- H 2 BLACK : 검정
- H 3 RED : 적색
- H 8 SILVER : 은색
- H 12 FLAT BLACK : 무광검정
- H 18 STEEL : 흑철색
- H 52 OLIVE DRAB : 올리브드랍
- H 57 AIRCRAFT GRAY : 청회색

- H 76 BURNT IRON : 불탄철색
- H 77 TIRE BLACK : 타이어 검정
- H 80 KHAKIGREEN : 황녹색
- H 90 CLEAR RED : 투명적색
- H 93 CLEAR BLUE : 투명청색
- H 306 LIGHT GRAY : 밝은회색
- H 316 WHITE : 흰색

**1****2****3****4****5****6****7**