

NORTH AMERICAN MUSTANG Mk 2

Single seat fighter reconnaissance 1:72 scale

The original Mustangs were designed and built by North American Aviation of California to satisfy R.A.F. requirements. The prototype first flew in September 1940 and deliveries of production planes to Britain started in October 1941. Their first operations were in July 1942 when they were engaged in cross-channel sweeps, taking photographs and attacking ground targets. Later Mustangs fitted with Packard-built Merlin engines were employed in large numbers escorting U.S.A.A.F. daylight bombing missions over Germany. Engine: 1,120 h.p. Allison V-1710-81. Max. speed: 390 m.p.h. at 8,000 ft. Service ceiling: 32,000 ft. Armament: four 0.50 guns and four 0.30 guns.

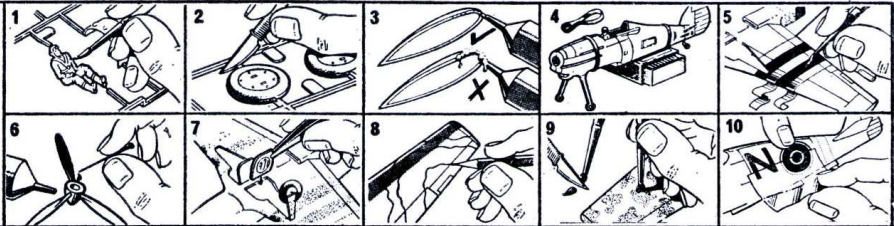
To complete the aircraft as illustrated, you will need model aircraft paint. A display stand is not supplied with this model.

10 MODEL TIPS

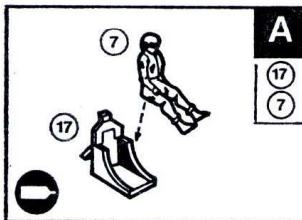
If you desire to paint, use appropriate model aircraft paints, taking as a guide either of the two illustrations, which are to be found under the front blister. Use the illustrations for correct selection and positioning of the transfers.

Caution

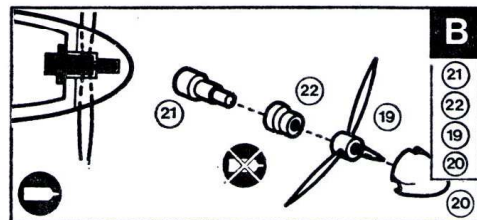
Polystyrene cement is highly inflammable. Keep away from naked flame, and also from the face - particularly the eyes and nose - and from clothing. Use pin to open tube and replace after use. Use sparingly.



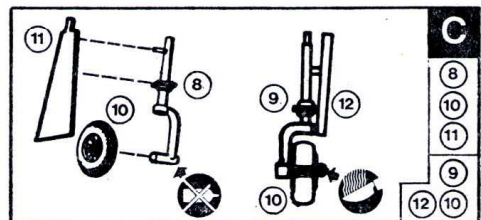
Instructions Test assembly position and fit of parts before cementing. Assemble in sequence shown i.e. A.B.C.D. etc.,. Note that the part numbers needed for each step are listed in the recommended assembly sequence.



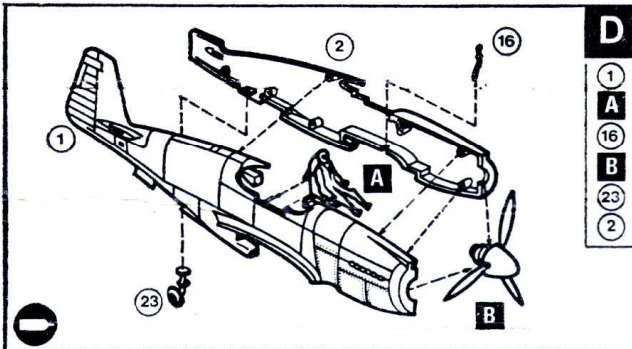
- A**
17
7



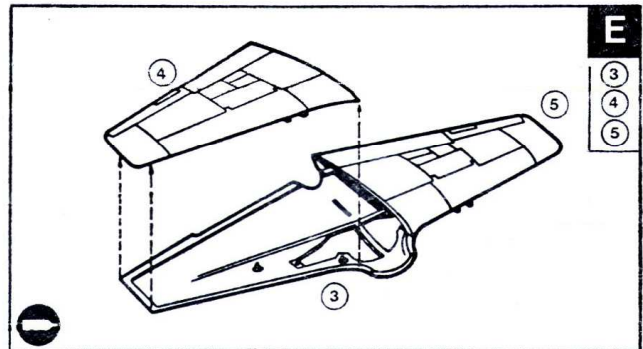
- B**
21
22
19
20
20



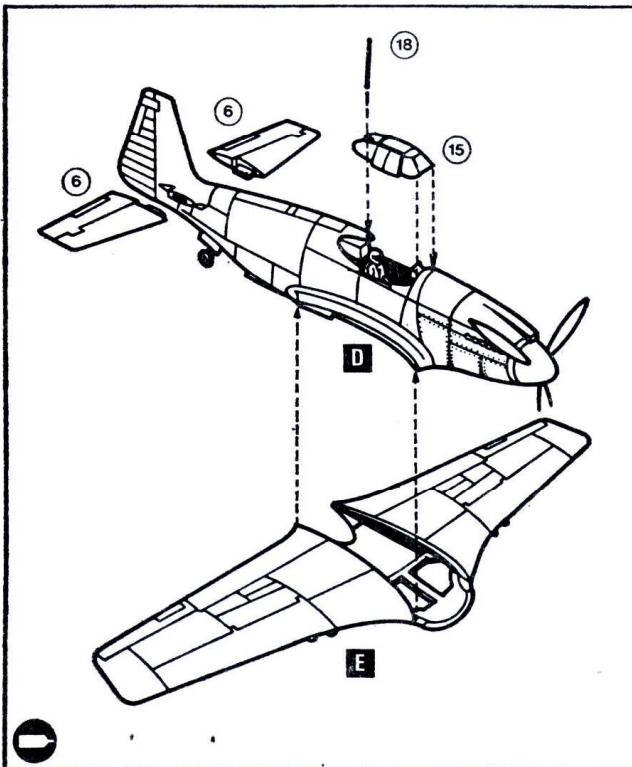
- C**
8
10
11
9
12
10



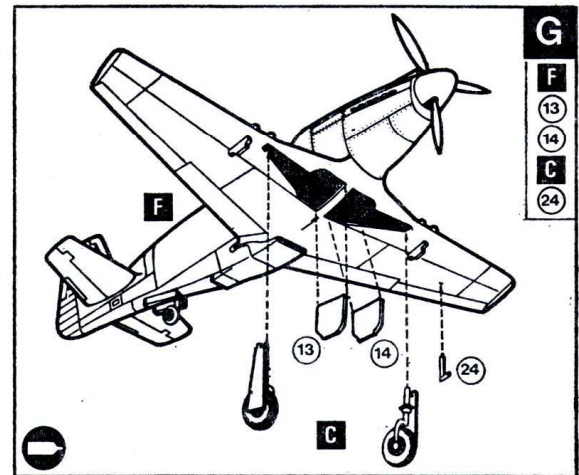
- D**
1
A
16
B
23
2



- E**
3
4
5



- F**
D
E
6
6
15
18



- G**
F
13
14
C
24

PLEASE USE BLOCK LETTERS

NAME _____

ADDRESS _____

North American Mustang Mk. 2

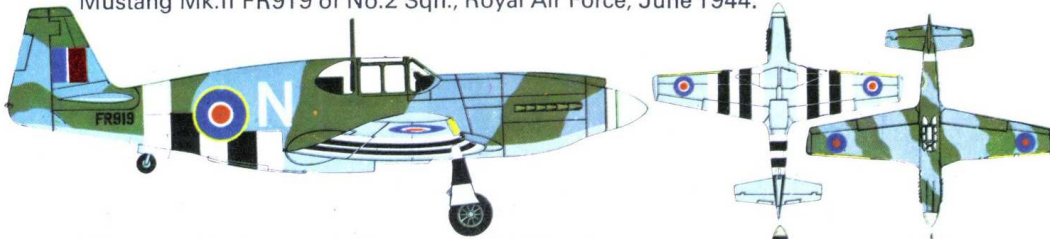
Part No. _____

In the event of a missing or faulty part, fill in your name, full address and the part number here. Cut around the dotted line, and return the complete slip to the address shown below.

NORTH AMERICAN MUSTANG Mk II

COLOUR PAINTING GUIDE

Mustang Mk.II FR919 of No.2 Sqn., Royal Air Force, June 1944.



P-51A, 1st Air Commando Group, India 1944.
Col. Philip G. Cochran.



The Remus name and logo style are Registered Trade Marks.
Remus Play-Kits, P.O. Box 47,
Slough, SL1 4LS, England.
© 1975, REMUS PLAY-KITS

PROD NO.1019

MADE IN U.K.



NORTH AMERICAN MUSTANG MK II

from 8 years

REG. PRICE
45p
INC. VAT



CAUTION: Cement is inflammable. Keep away from naked flame. Also keep away from eyes, nose and clothing.

WITH
CEMENT