



F-104G Luftwaffe Starfighter

The F-104 Starfighter is a single-engine, supersonic interceptor aircraft which later became widely used as an attack aircraft. Initially a day fighter, it was developed into an all-weather fighter in the late 1960s. It was originally developed by Lockheed for the United States Air Force (USAF), but was later produced by several other nations, seeing widespread service outside the United States. One of the Century Series of fighter aircraft, it was operated by the air forces of more than a dozen nations from 1958 to 2004. Its design team was led by Kelly Johnson, who contributed to the development of the P-38 Lightning, U-2, SR-71 Blackbird, and other Lockheed aircraft.

1,122 aircraft of the main version produced as multi-role fighter-bombers. Manufactured by Lockheed, and under license by Canadair and a consortium of European companies that included Messerschmitt/MBB, Dornier, Fiat, Fokker, and SABCA. The type featured strengthened fuselage and wing structure, increased internal fuel capacity, an enlarged vertical fin, strengthened landing gear with larger tires, and revised flaps for improved combat maneuvering. Upgraded avionics included a new Autonetics NASARR F15A-41B radar with air-to-air and ground mapping modes, the Litton LN-3 Inertial Navigation System (the first on a production fighter), and an infrared sight.

CAUTION

- *Read carefully and fully understand the instructions before commencing assembly.
- *Keep out of reach of children. Children must not be allowed to put any parts in their mouths, or pull plastic bag over their heads.
- *When using adhesives and paints, please make sure not to use them in closed room or near the fire.
- *When assembling this kit, tools including knives are used. Extra care should be taken to avoid injury.

WARNING: CONTAIN SMALL PARTS NOT FOR CHILDREN UNDER 14 YEARS OF AGE.



Drill



Remove



2 Set



Bend



Optional



Decal



Super Glue



Fill Hole



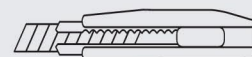
No Cement



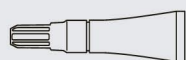
Be Careful

TOOLS RECOMMENDED

Modeling Knife



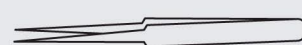
Cement



Side Cutter



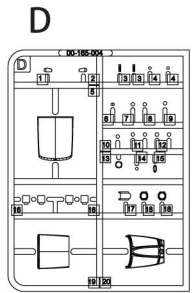
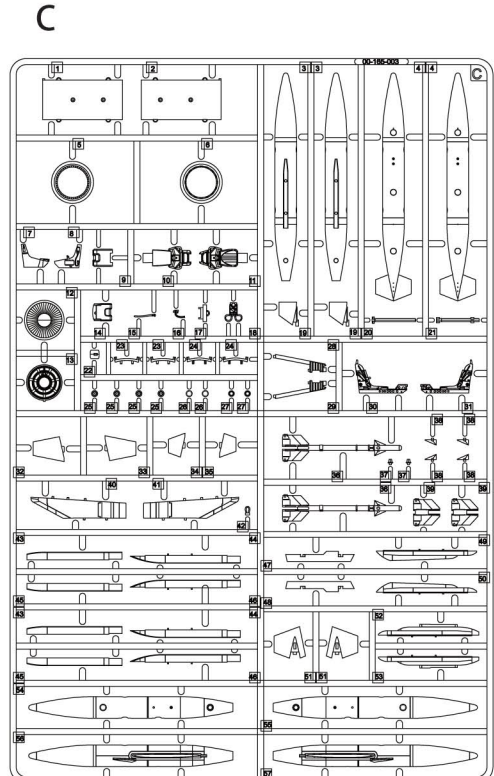
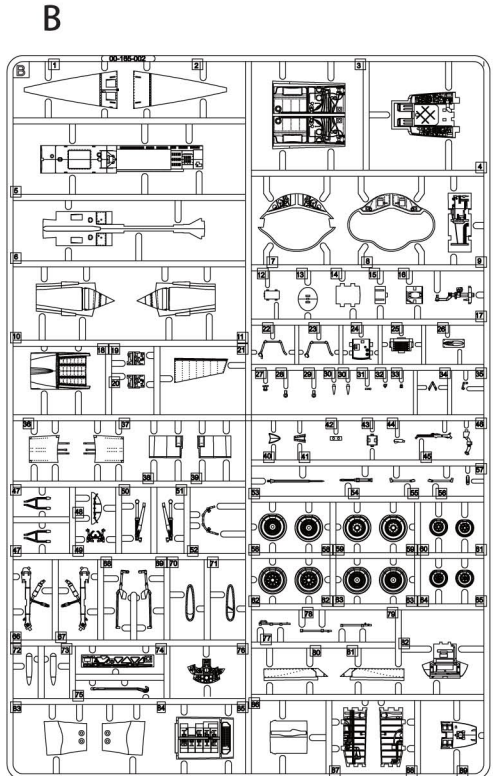
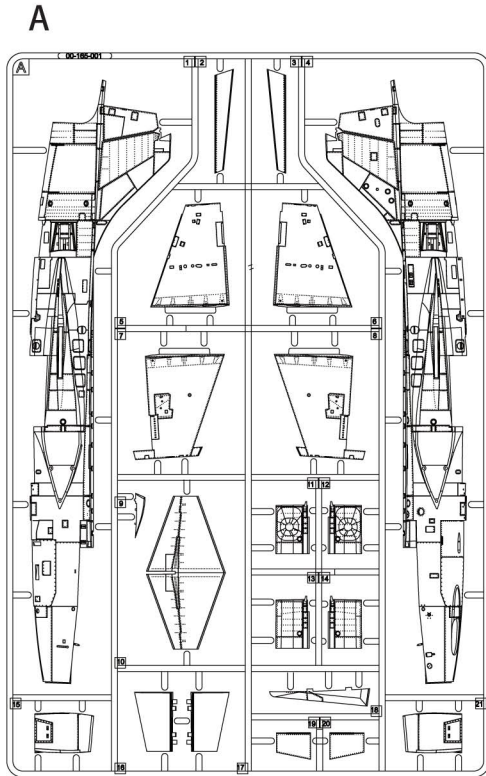
Tweezers



AFTERMARKET SERVICES CARD

When requesting replacement parts, please take or send this form to your local dealer so that the parts required can be correctly identified. Please note that specifications and availability are subject to change without notice. Or visit <http://www.kineticmodel.com> for latest information. For more information, please contact services@kineticmodel.com

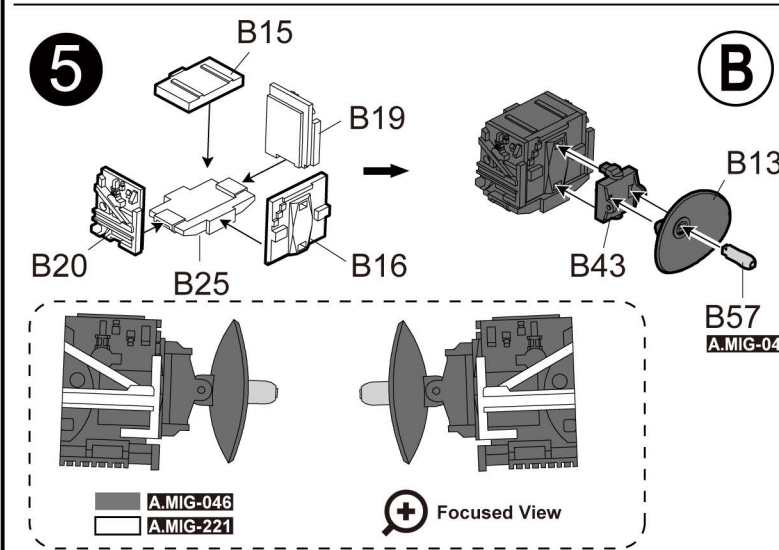
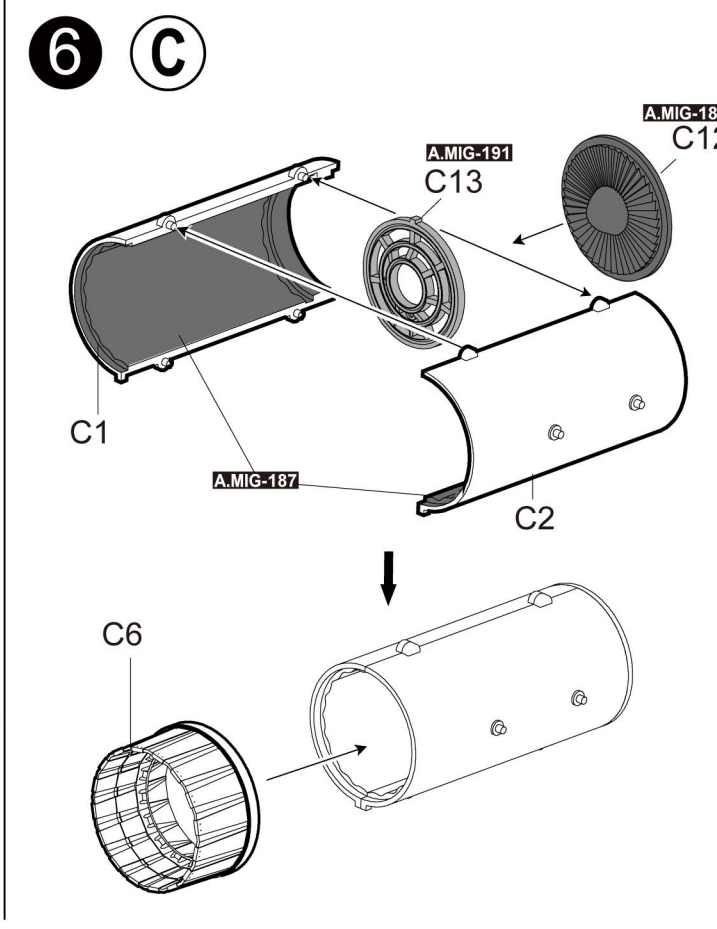
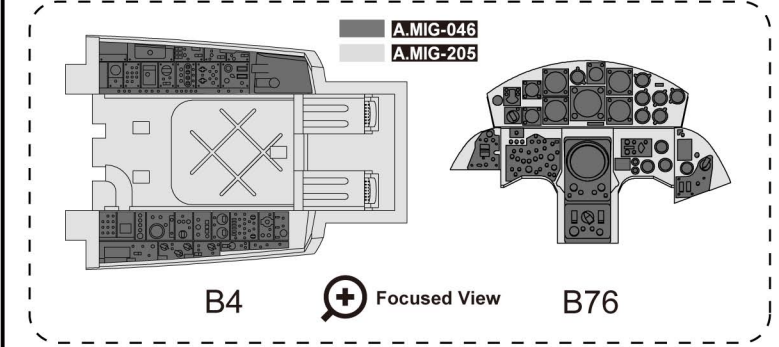
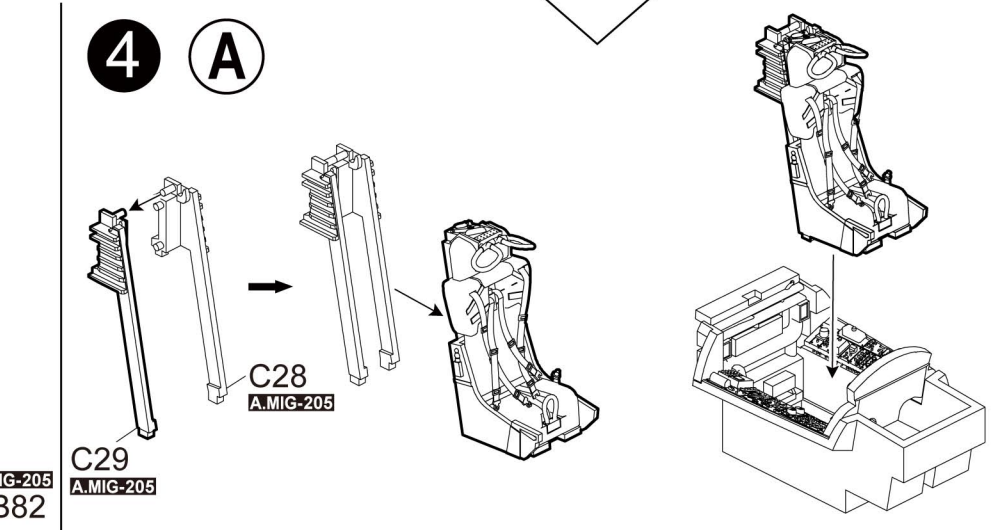
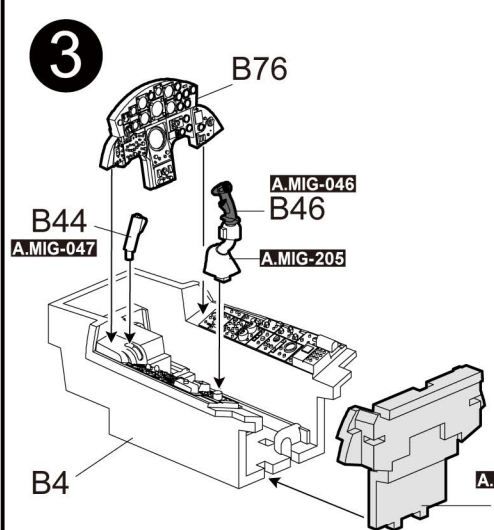
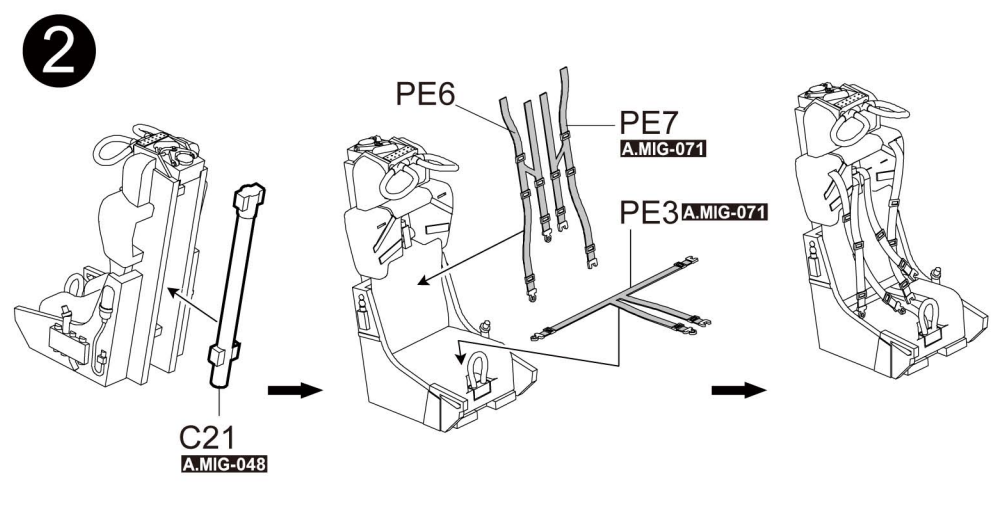
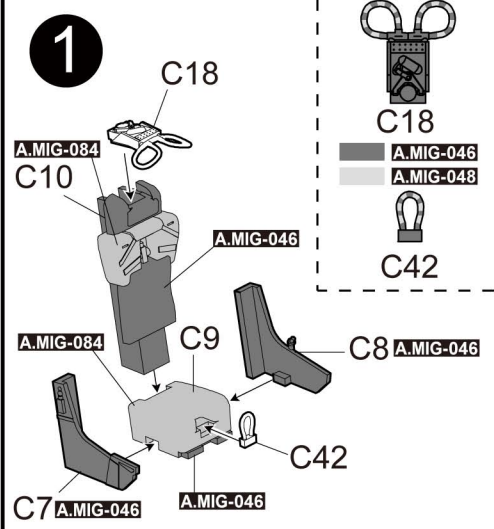
Part Code	K48083	Qty	Item
00-165-001	1/48 F-104G FUESLAGE, COCKPIT, ACCESSORIES	1	A
00-165-002	1/48 F-104 WINGS, TANK ACCESSORIES	1	B
00-165-003	1/48 F-104 NLG, MLG PARTS	1	C
00-165-004	1/48 F-104G/TF-104G CANOPY	1	D
01-165-48083	1/48 F-104G GERMANY	1	Decal
03-165-48083	1/48 F-104G GERMANY	1	MANUAL
06-165-48083	1/48 F-104/TF-104 PE	1	PE

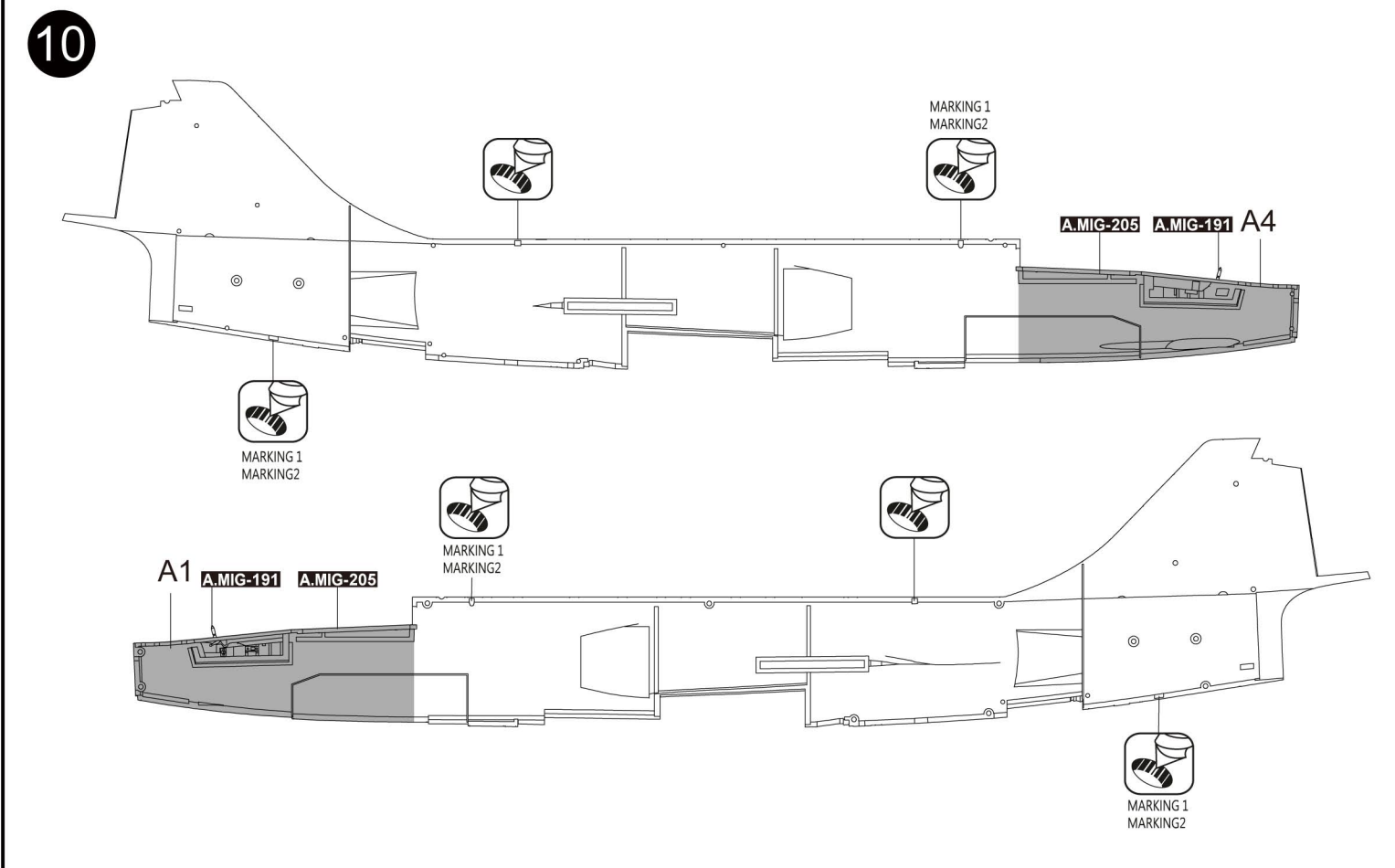
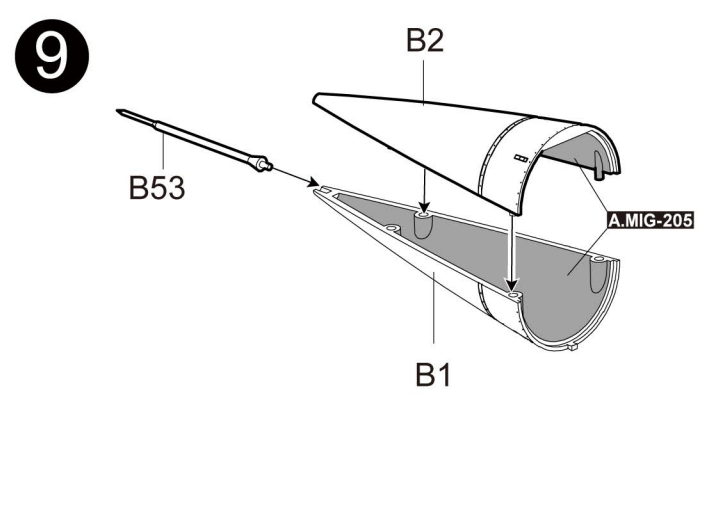
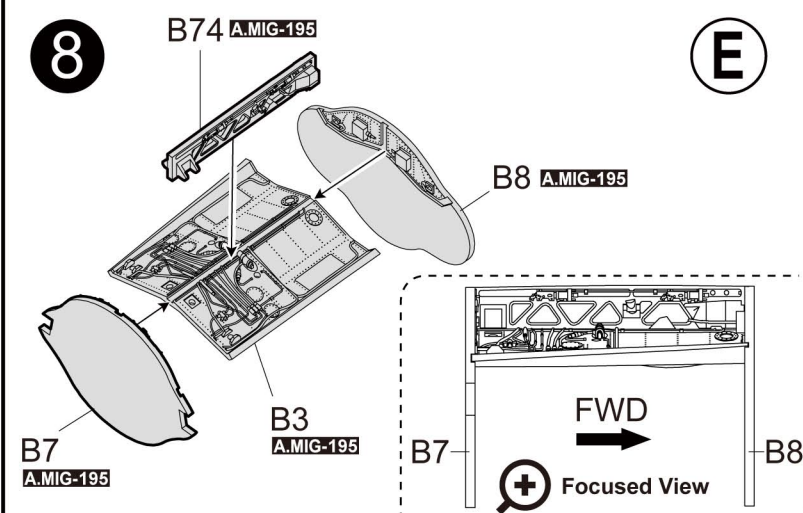
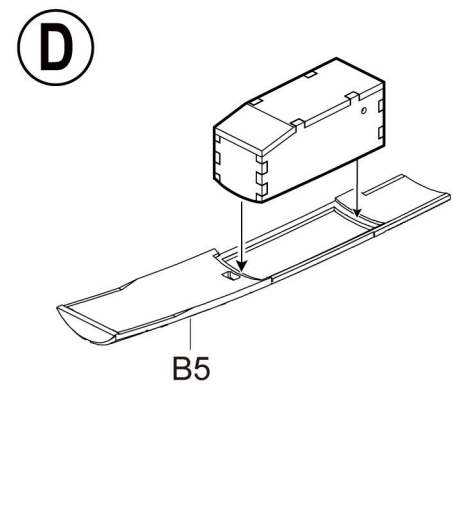
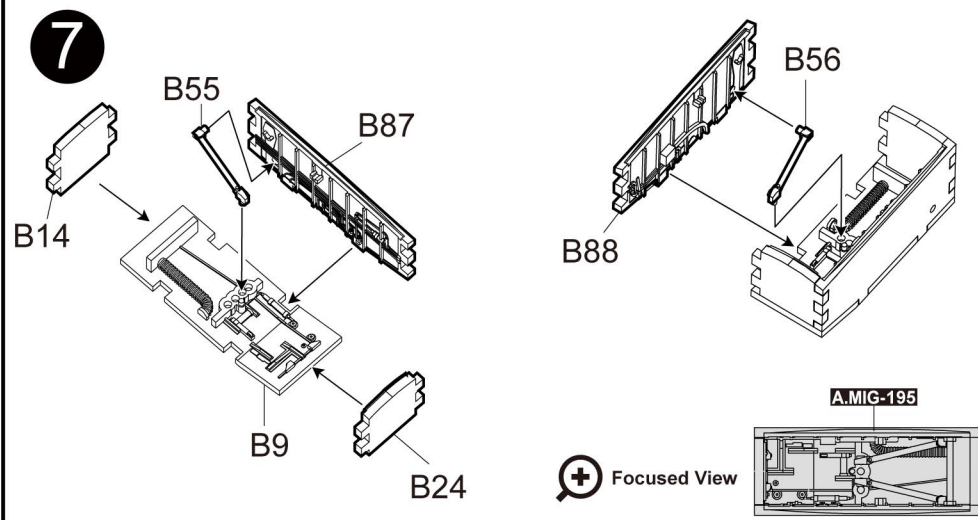




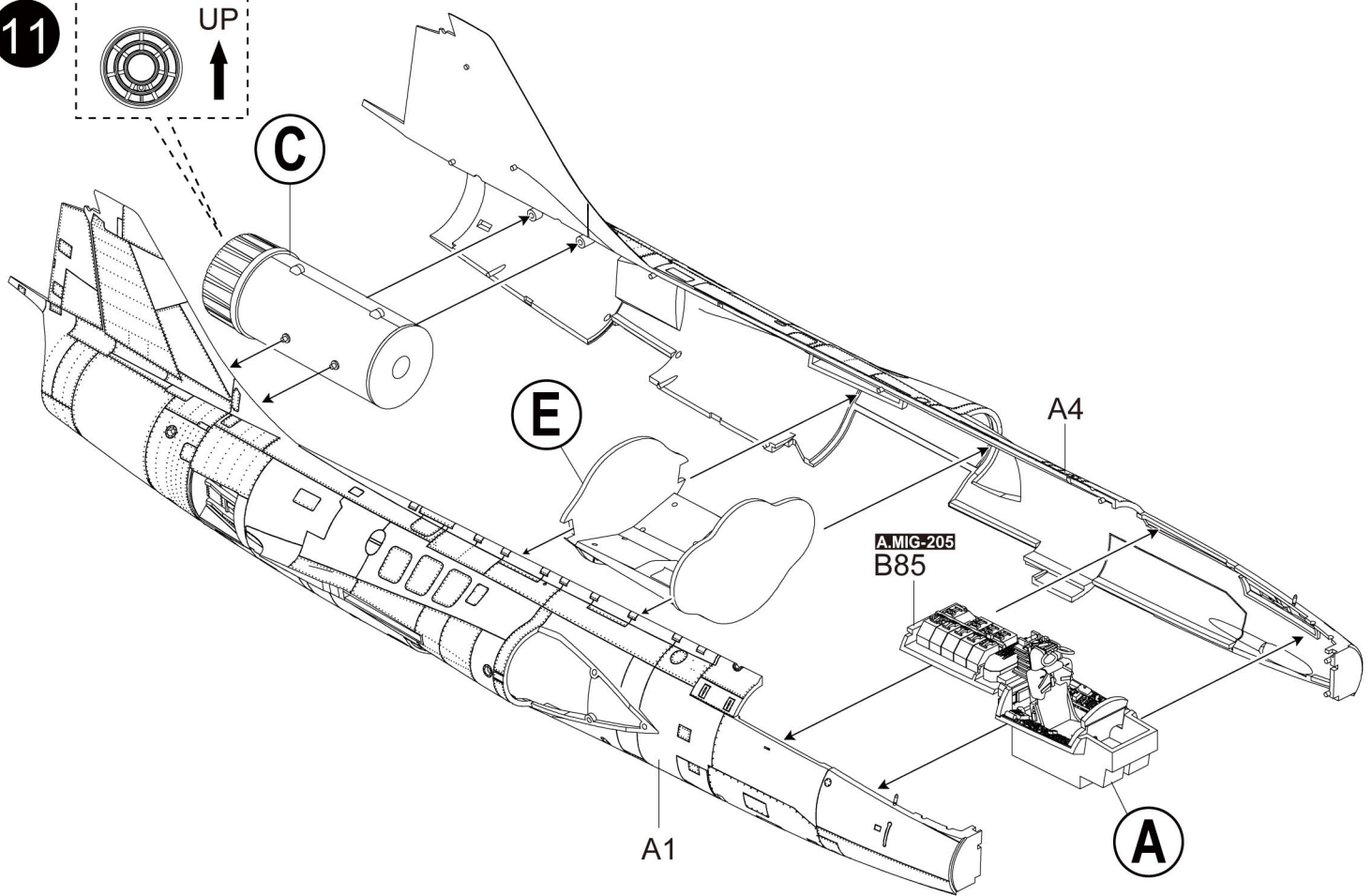
COLOR	AMMO MIG	VALLEJO MODEL COLOR	GSi CREOS MR. COLOR	TAMIYA ENAMEL/ACRYLIC	HUMBROL ENAMEL
SAND YELLOW	A.MIG-030	70.887	304	XF-72	155
RUBBER & TIRES	A.MIG-033	70.306	137	XF-85	-
MATT BALCK	A.MIG-046	71.057	33	XF-1	33
SATIN WHITE	A.MIG-047	70.842	1	X-2	22
YELLOW	A.MIG-048	71.002	4	XF-3	69
RED	A.MIG-049	71.003	3	XF-7	153
KHAKI	A.MIG-071	70.339	H404	XF-49	26
NATO GREEN	A.MIG-084	71.093	54	XF-67	117
RAL 6014 GELBOLIV	A.MIG-087	70.877	-	-	-
CRYSTAL GREEN	A.MIG-092	70.936	138	X-25	-
CRYSTAL RED	A.MIG-093	70.934	47	X-27	220
CRYSTAL LIGHT BLUE	A.MIG-187	71.073	61	XF-4	-
STEEL	A.MIG-191	70.864	28	-	27003
BLUISH TITANIUM	A.MIG-193	-	-	-	-
SILVER	A.MIG-195	71.063	8	X-11	11
GHOST GRAY FS 36375	A.MIG-203	70.990	308	-	-
GUNSHIP GRAY	A.MIG-204	71.047	305	XF-77	125
FS 26231	A.MIG-205	71.051	317	-	27
RLM 81 - FS 34079 - BS641	A.MIG-206	70.893	330	-	-
FS 26373 SILVER GREY	A.MIG-212	71.119	332	-	-
FS 33481 ZINC CHROMATE YELLOW	A.MIG-221	71.107	27	XF-4	-
FS36152 DARK GREY AMT-12	A.MIG-235	71.308	32	XF-75	-
FS 36122 NEUTRAL GRAY	A.MIG-239	71.274	13	-	-
CHROME FOR PLASTIC ALC107	A.MIG-8205	77.707	SM08	X-11	191

For Color Profile, please go to www.kineticmodel.com for download
(type the kit# and go for manual/painting guide)

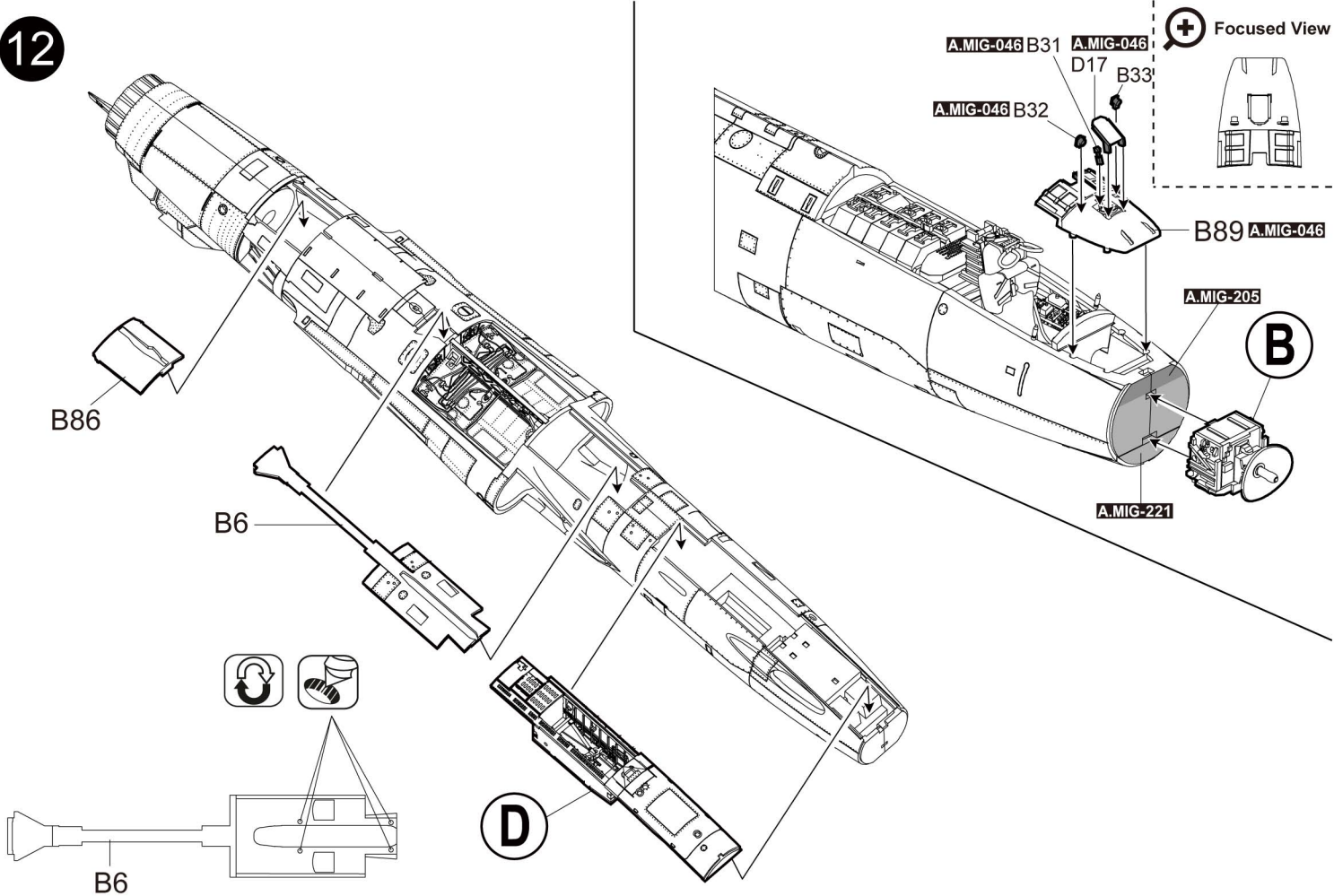




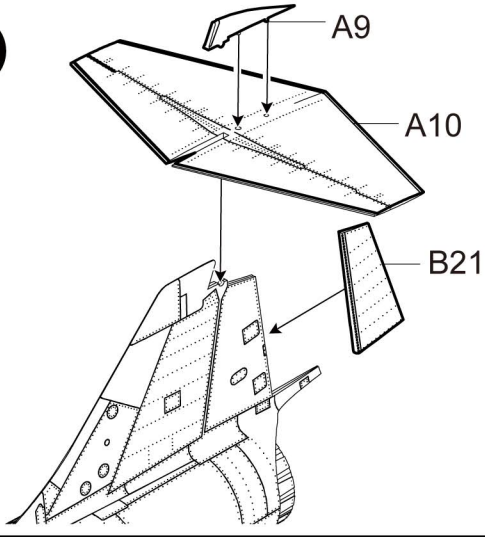
11



12

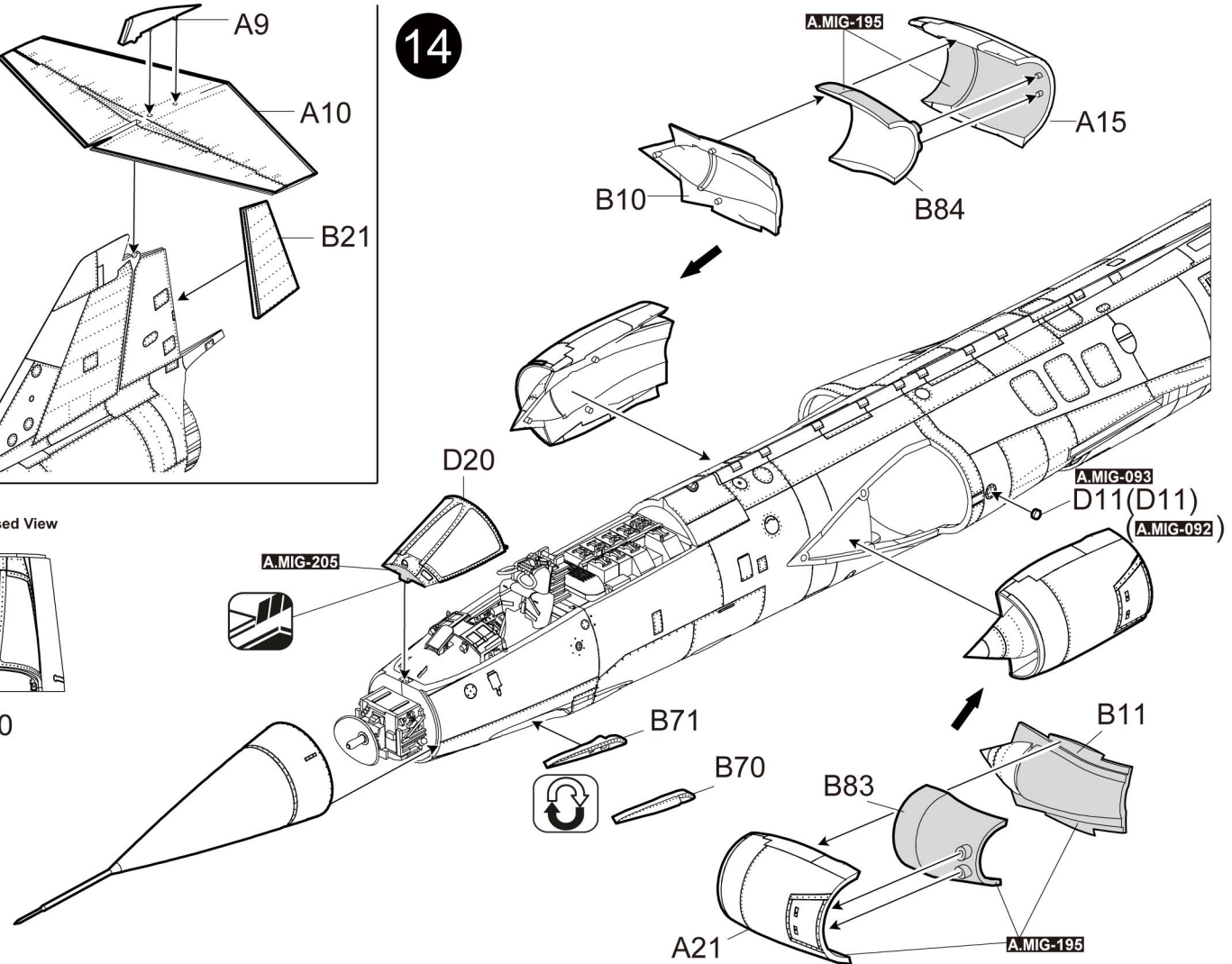
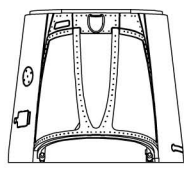


13

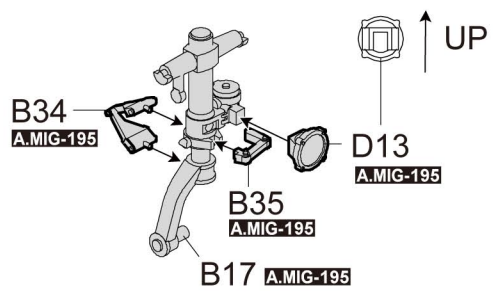


14

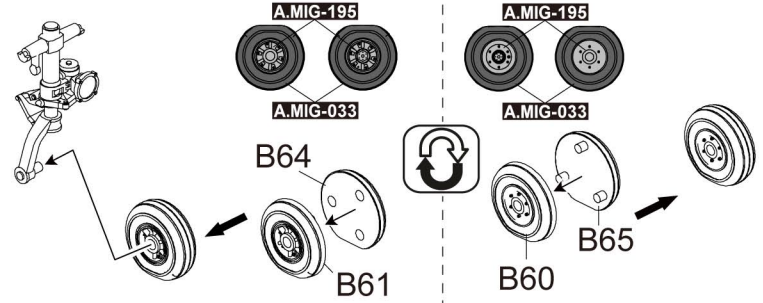
Focused View



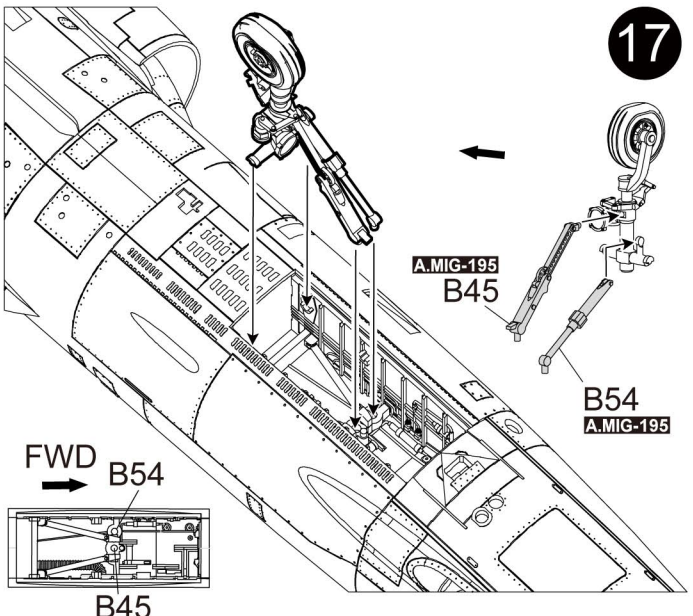
15



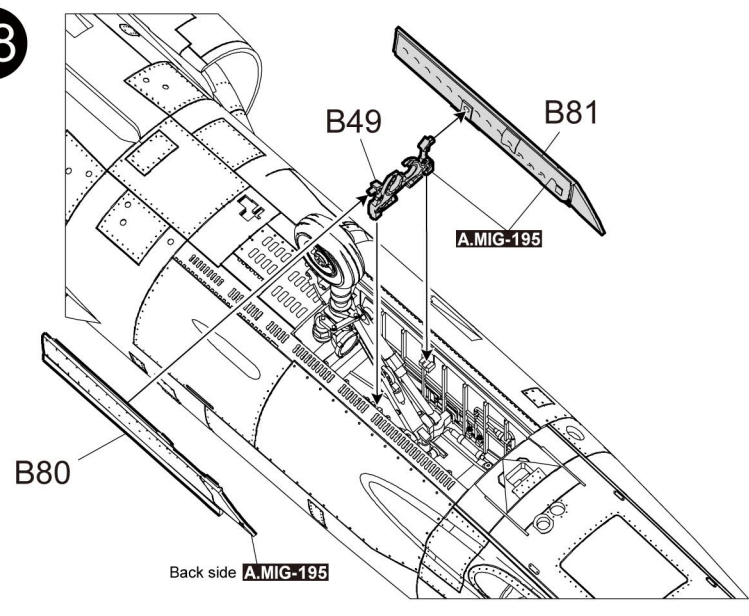
16



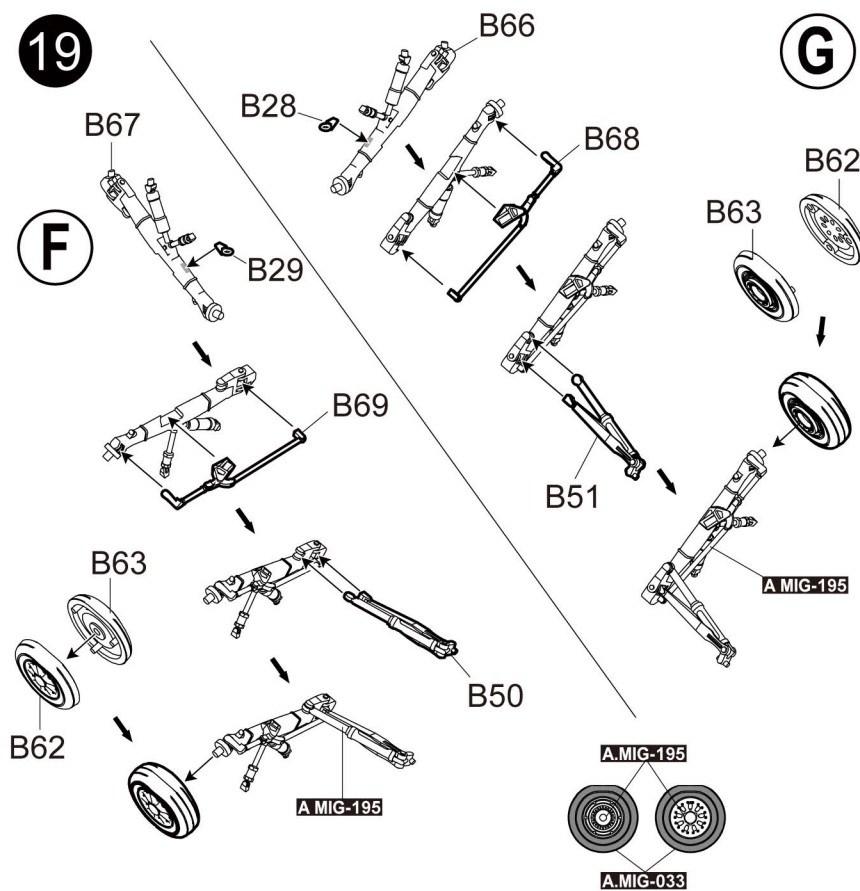
17



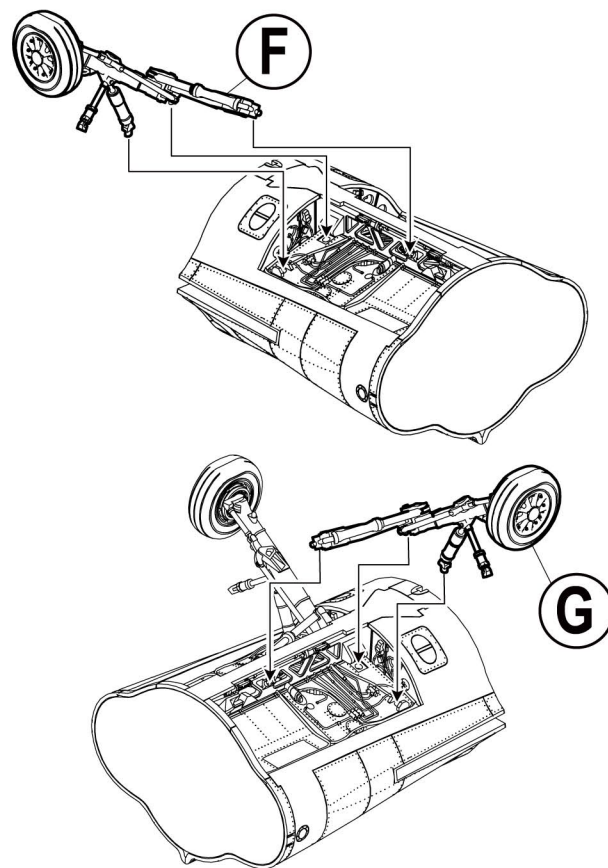
18



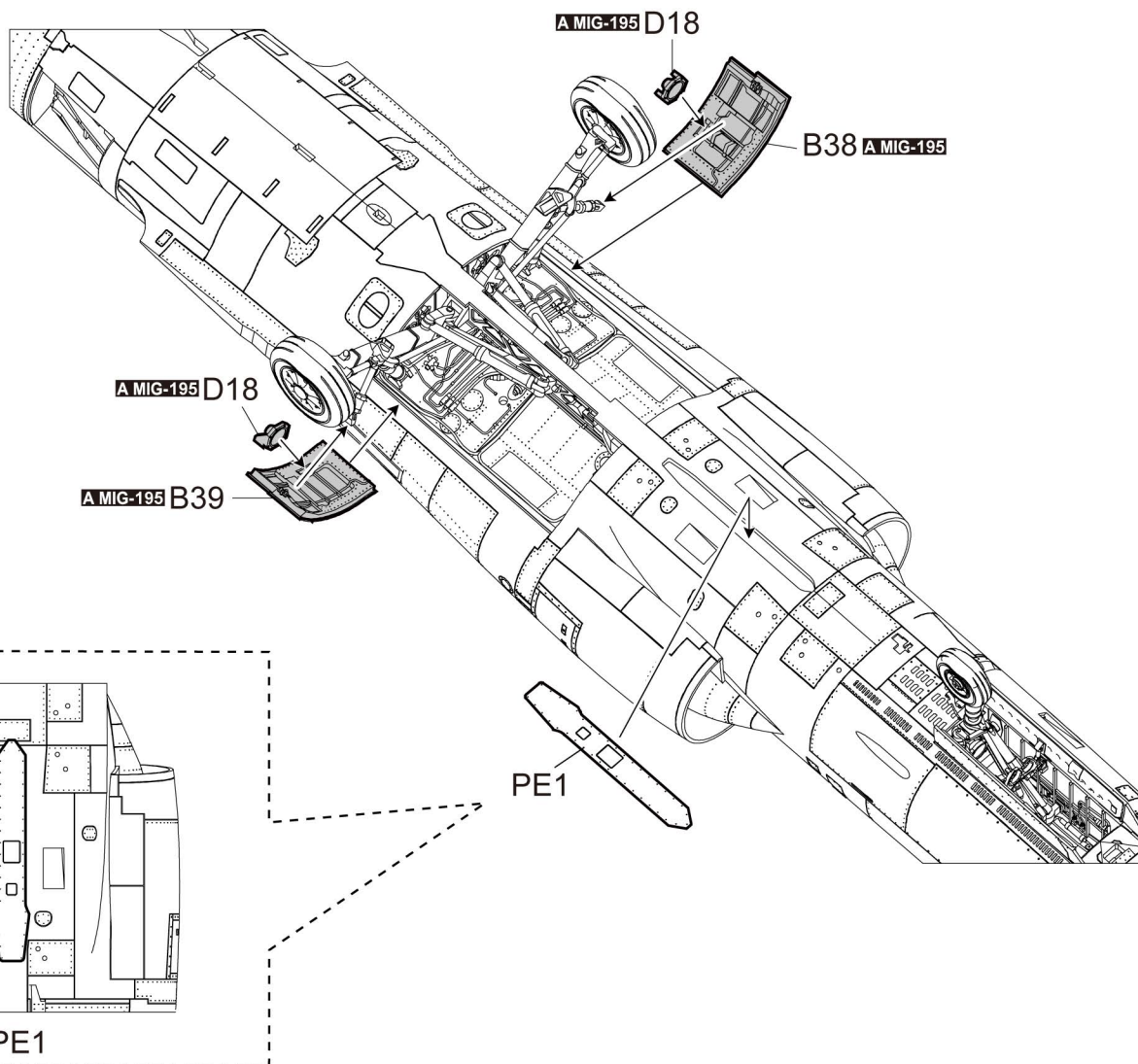
19



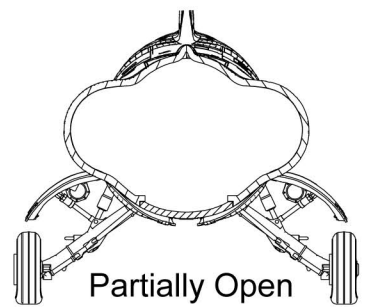
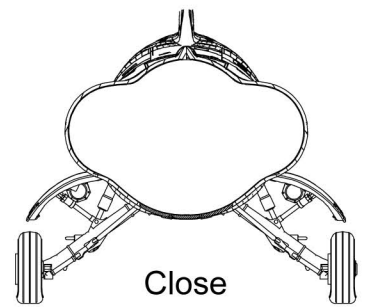
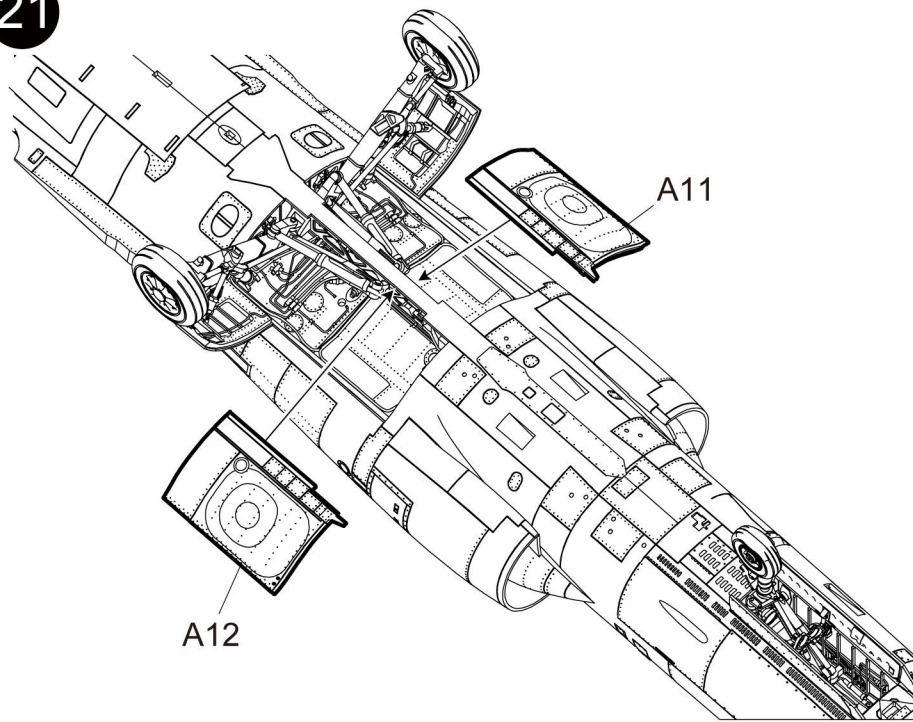
G



20



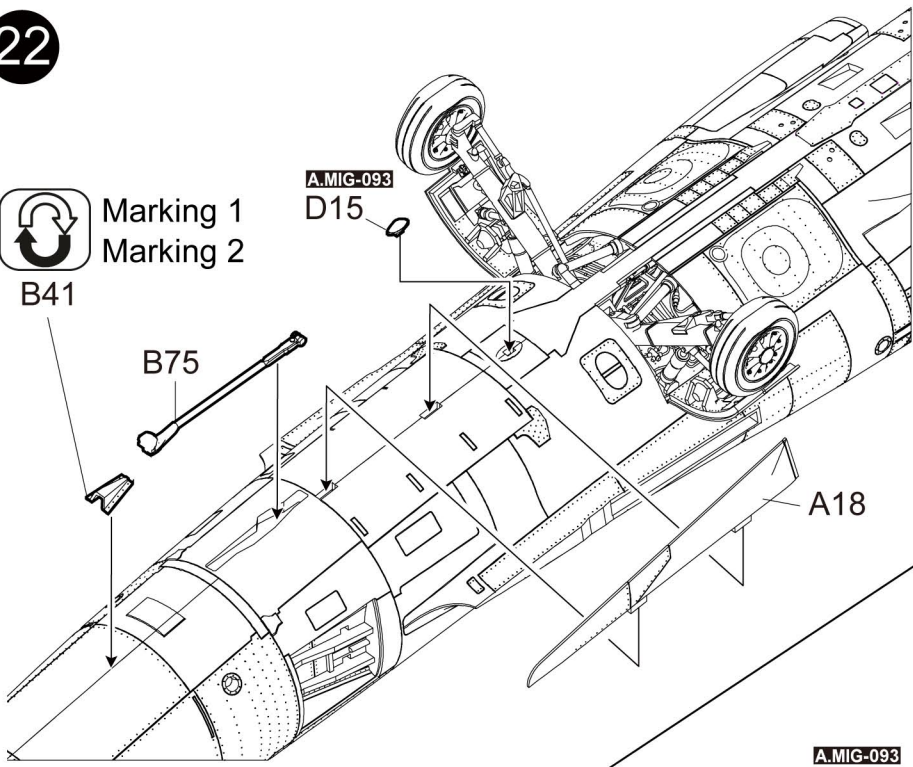
21



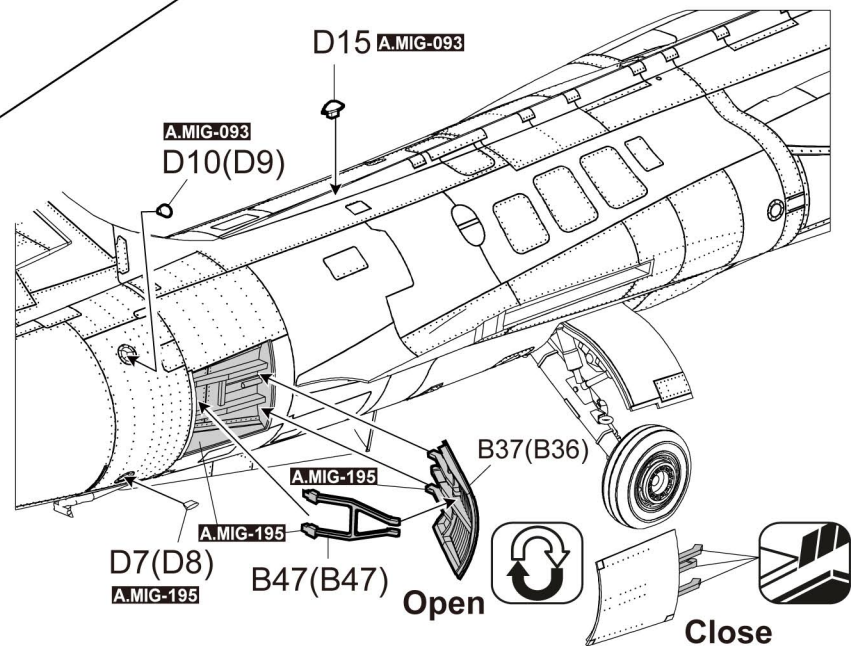
22



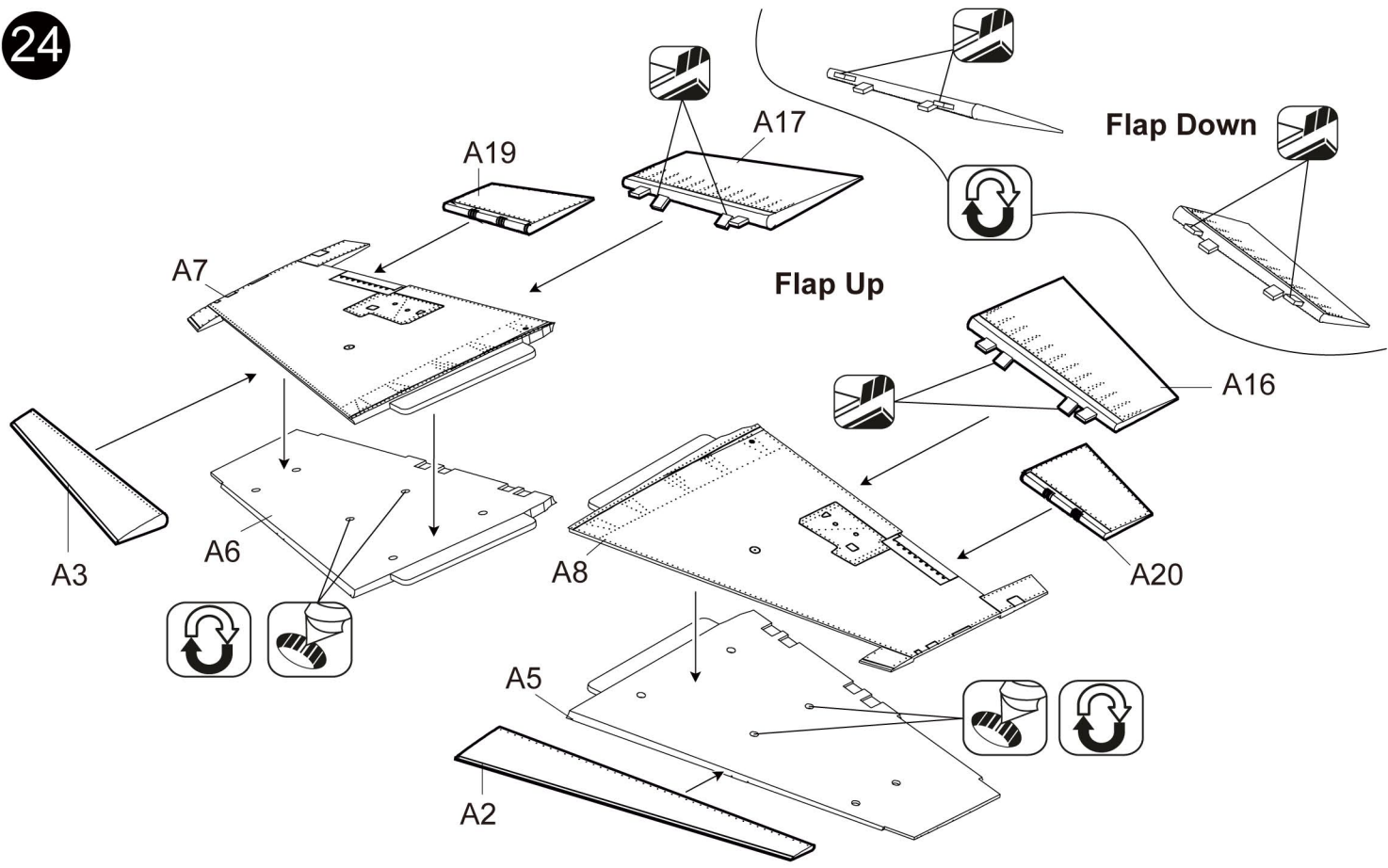
Marking 1
Marking 2



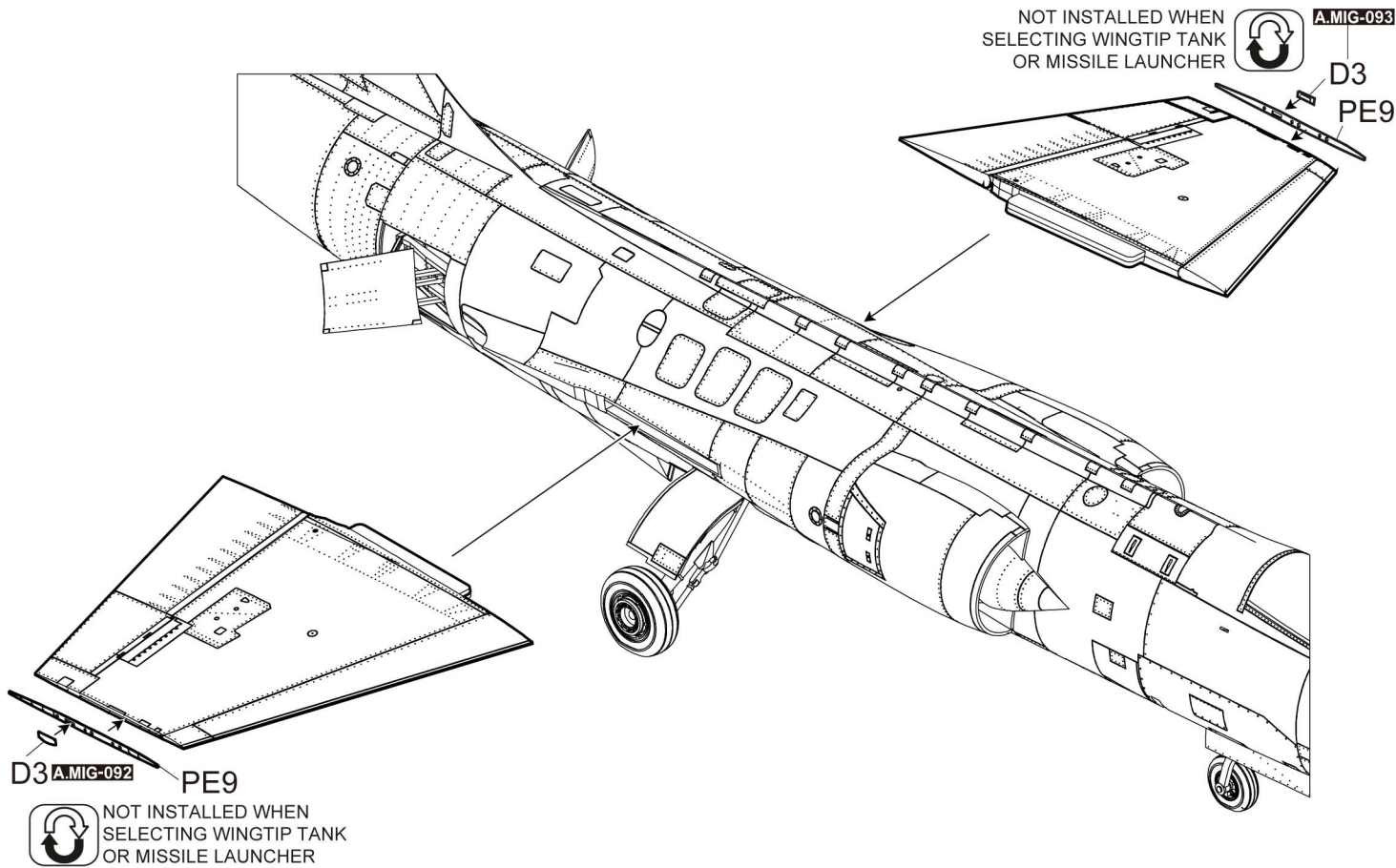
23



24

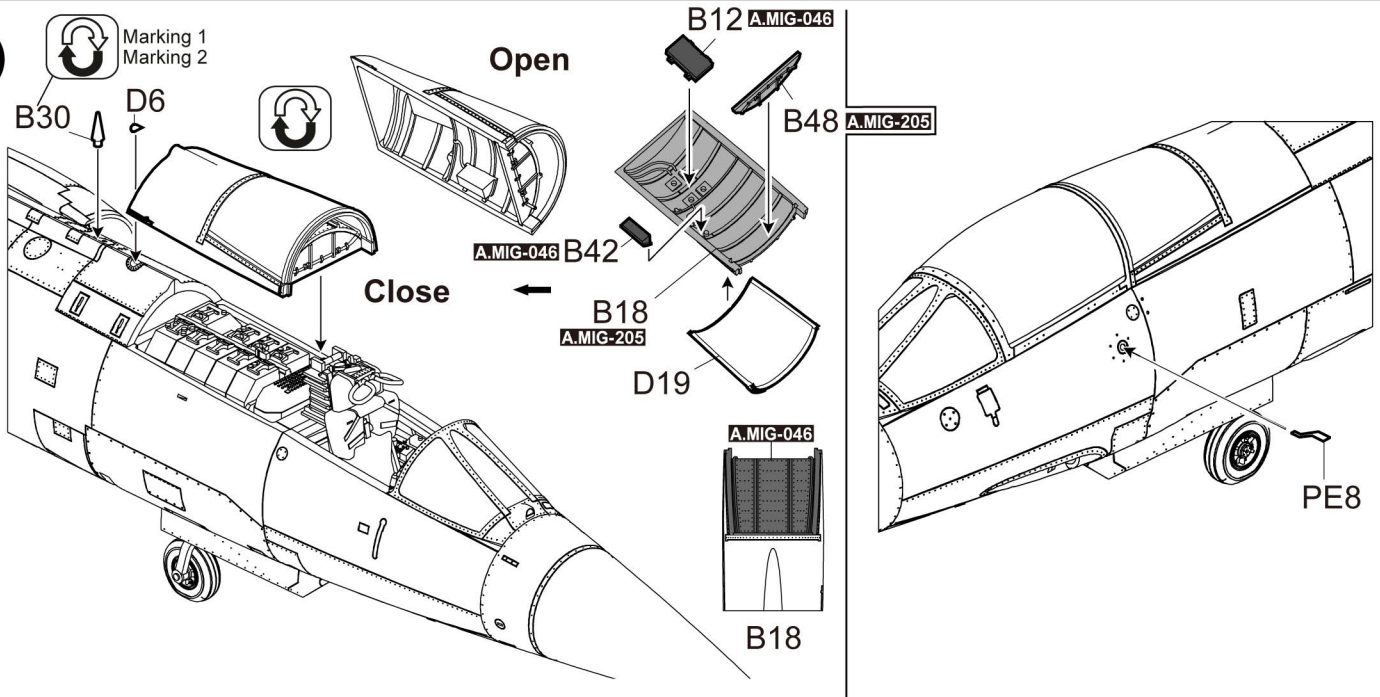


25



26

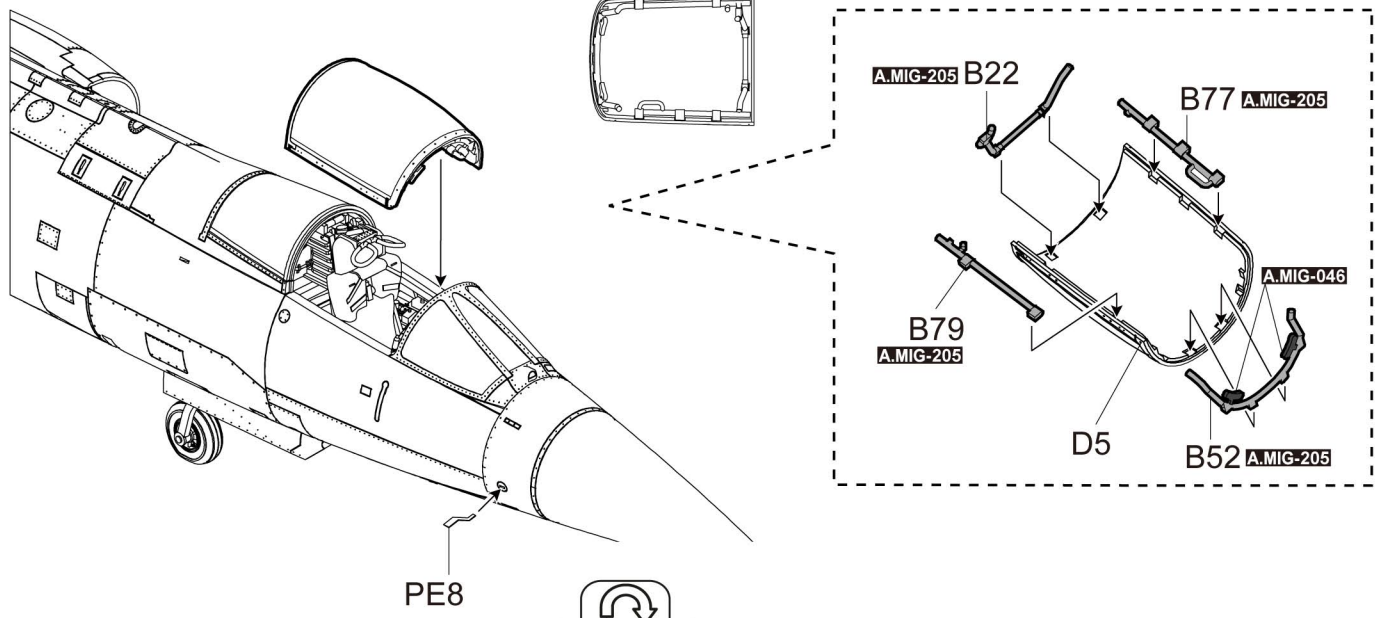
Marking 1
Marking 2



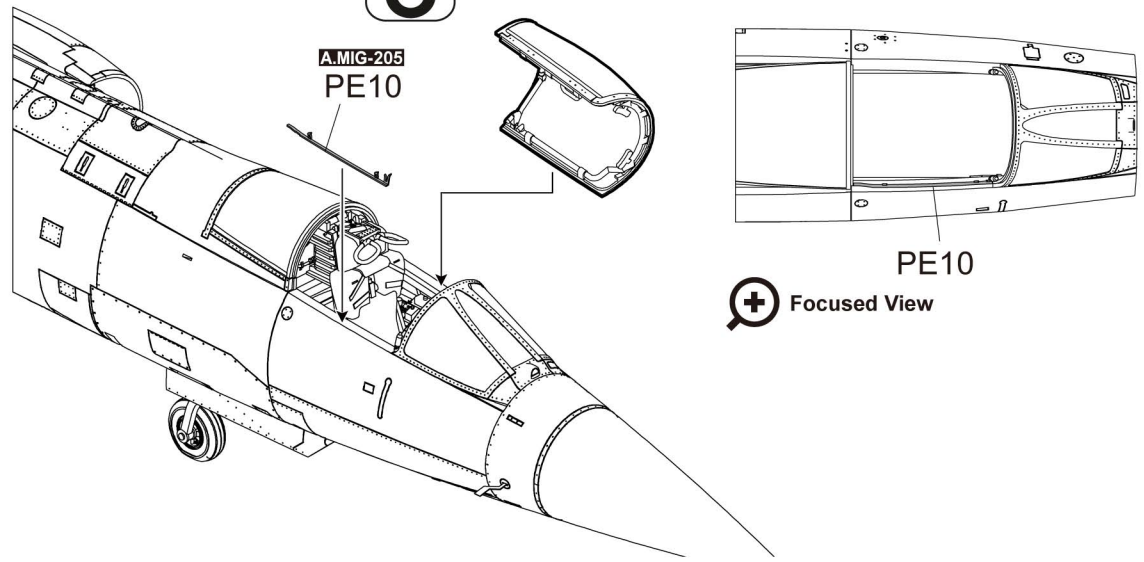
27

Canopy Close

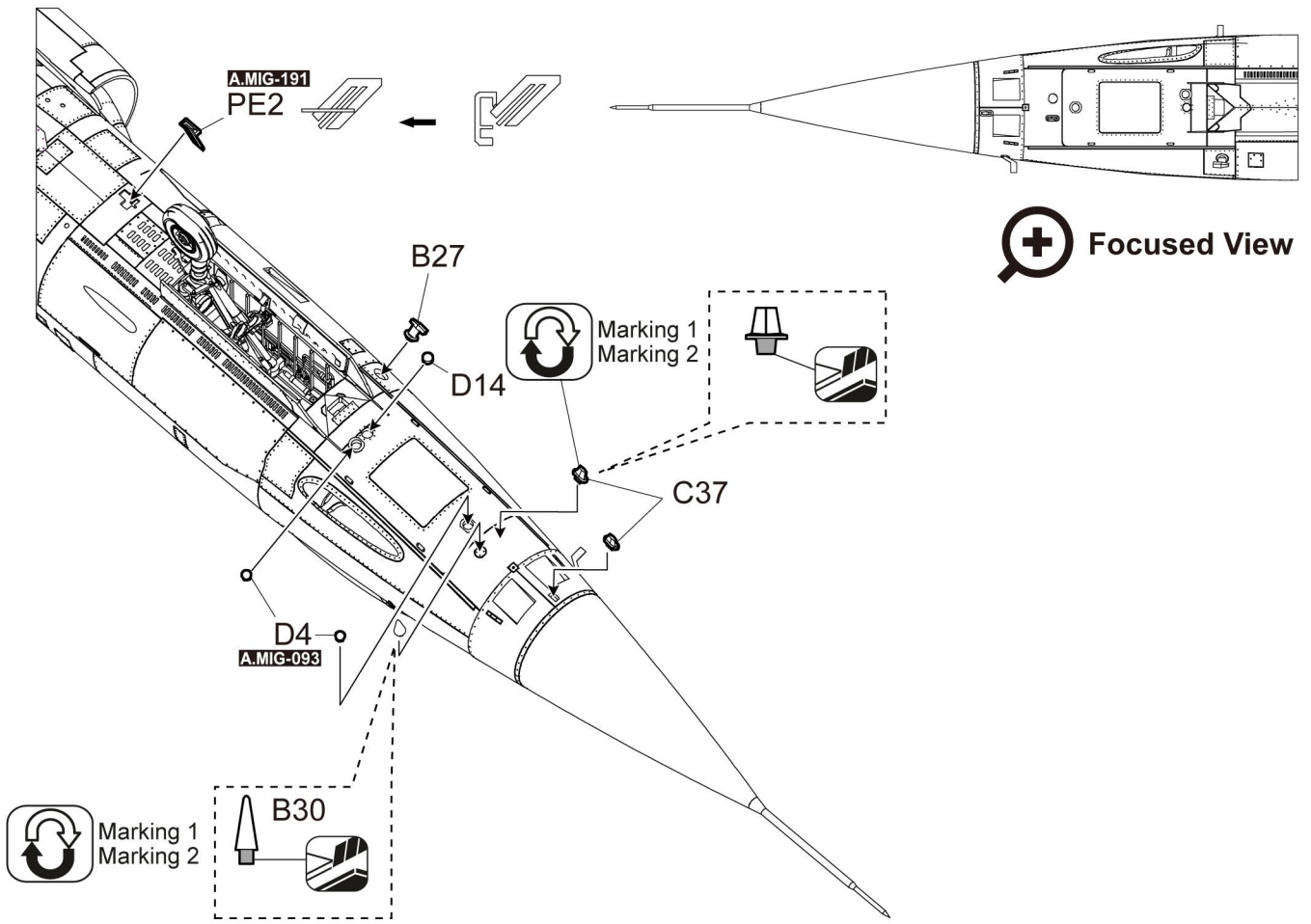
Focused View



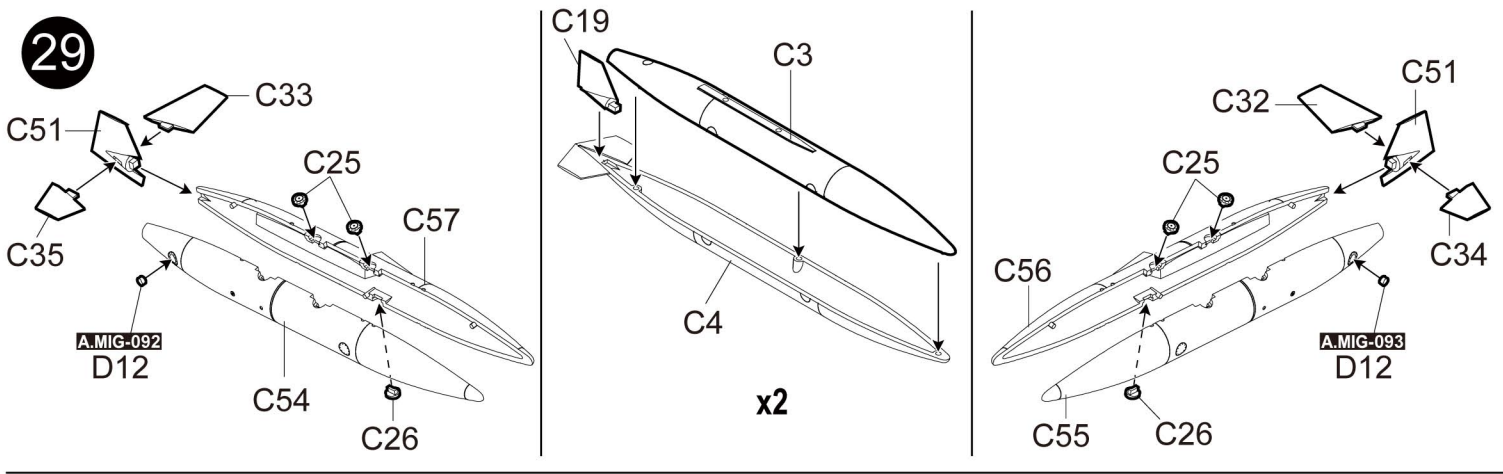
Canopy Open



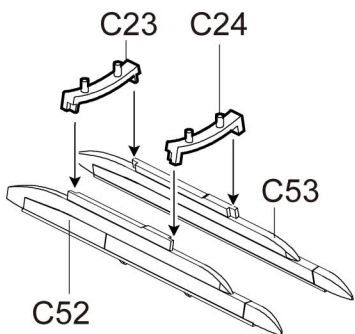
28

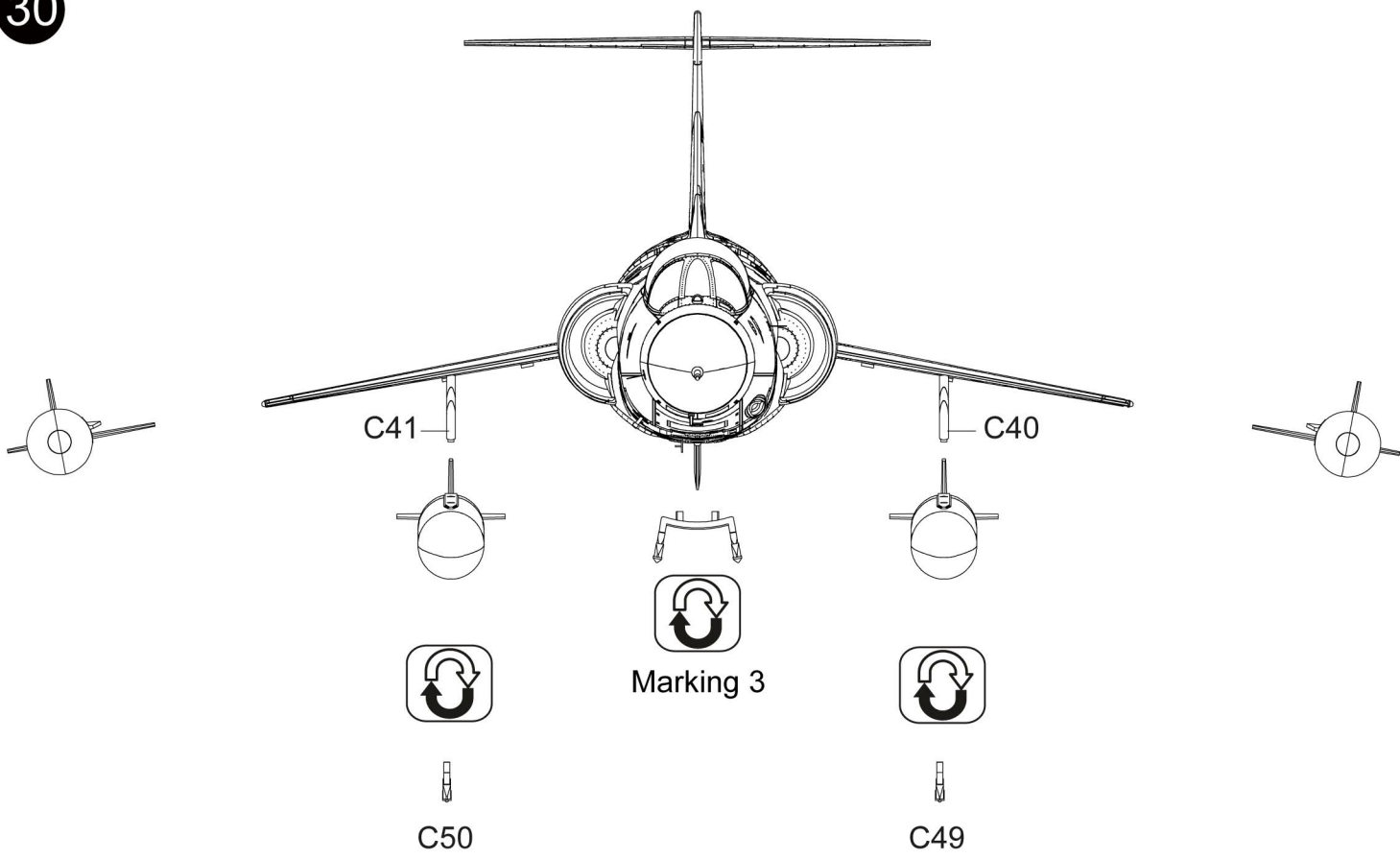


29



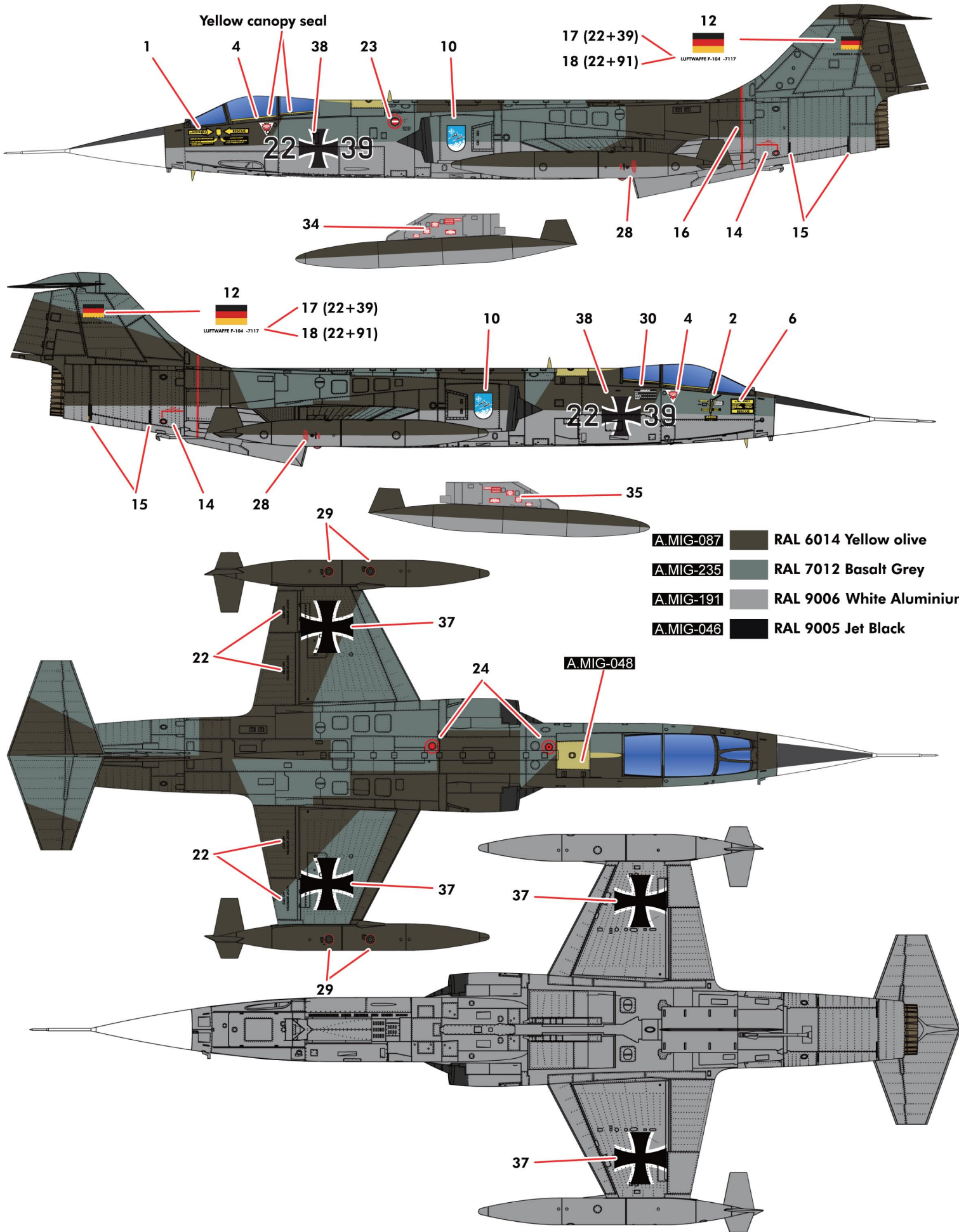
AERO-3B





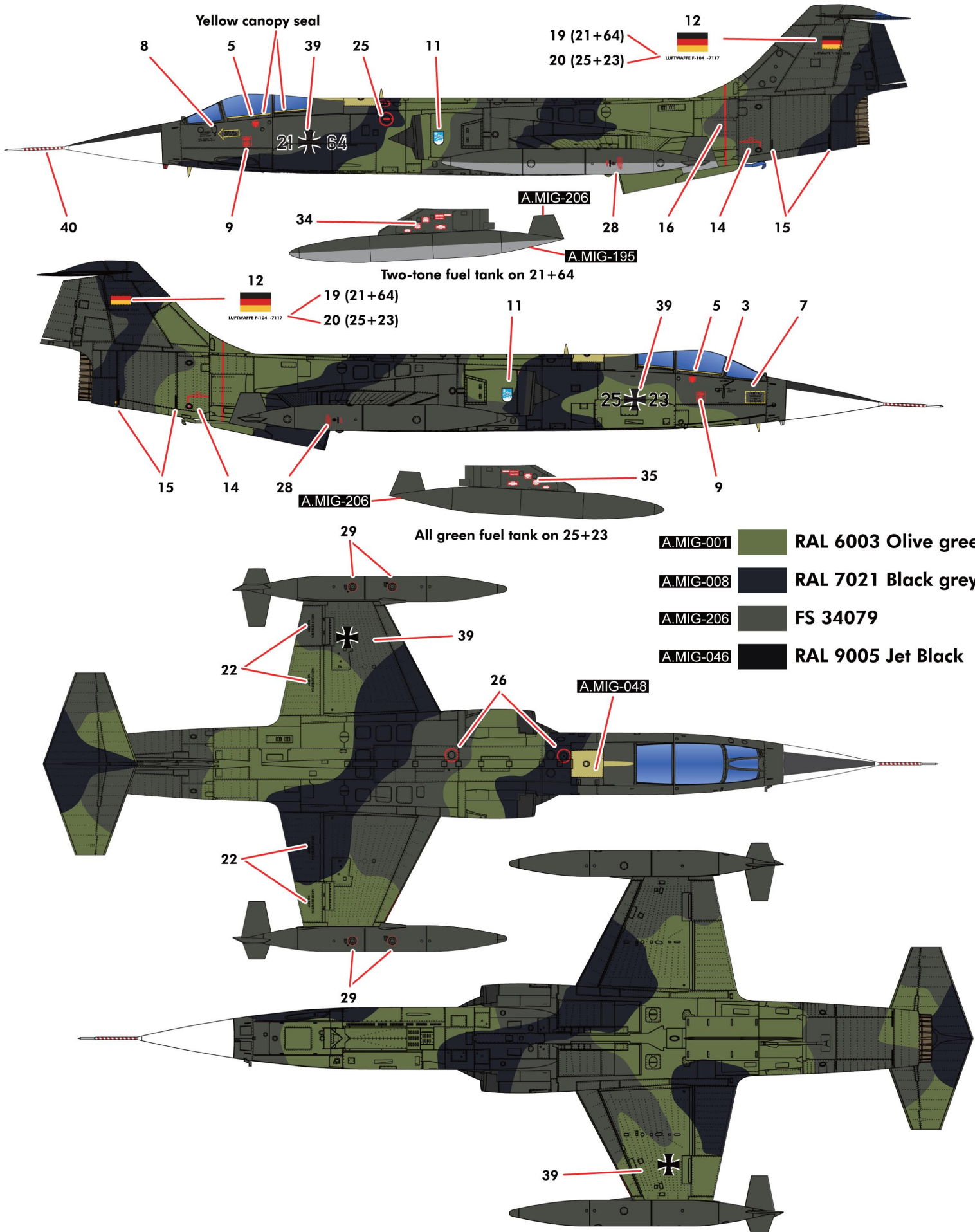
1/48 SCALE AIRCRAFT SERIES NO.K48083

1.F-104G, Fighter- Bomber Wing 34 "Allgäu" (JaboG 34 "Allgäu"), Memmingen 1984-1987
22+39 (7117) and 22+91 (7174) flew the final photo mission in 1987 with 2 other F-104s of scheme no.2.



1/48 SCALE AIRCRAFT SERIES NO.K48083

2.F-104G, Fighter- Bomber Wing 34 "Allgäu" (JaboG 34 "Allgäu"), Memmingen 1984-1987
21 +64 (7033) and 25+23 (8298) flew the final photo mission in 1987 with 2 other F-104s of scheme no.1.



1/48 SCALE AIRCRAFT SERIES NO.K48083

3.F-104G, German Naval Air Wing 2 (MFG 2), Eggebek, 1985

