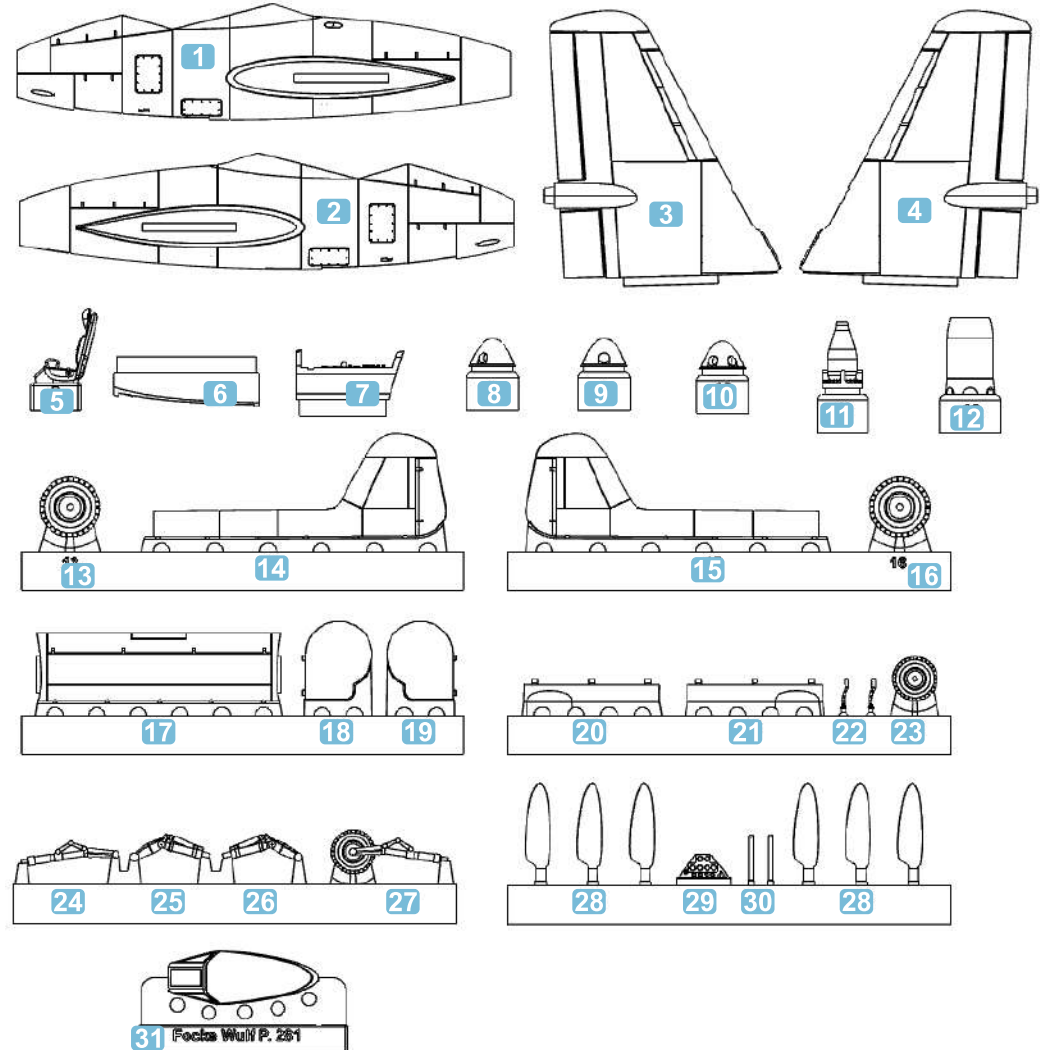
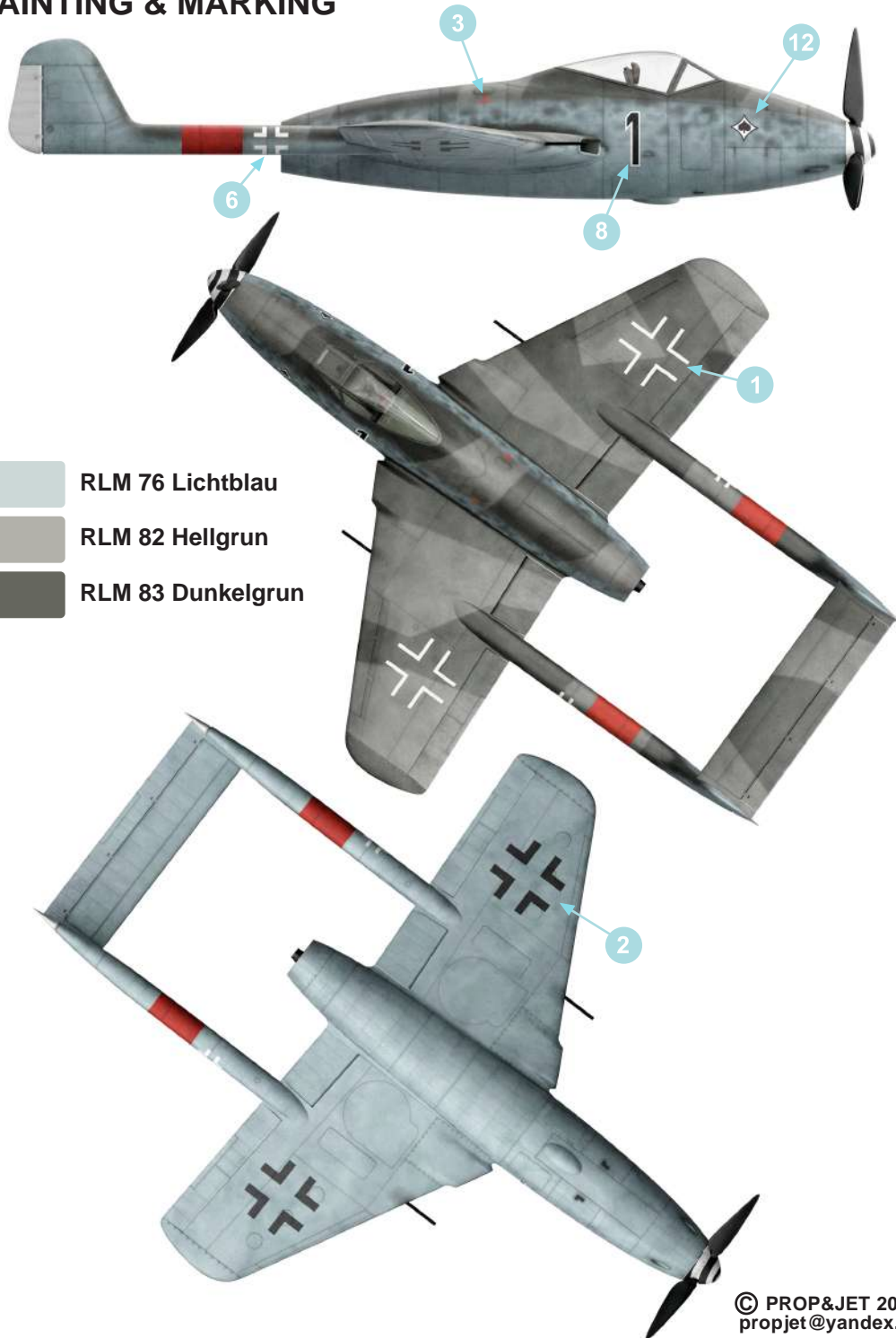


Focke-Wulf FW P.281

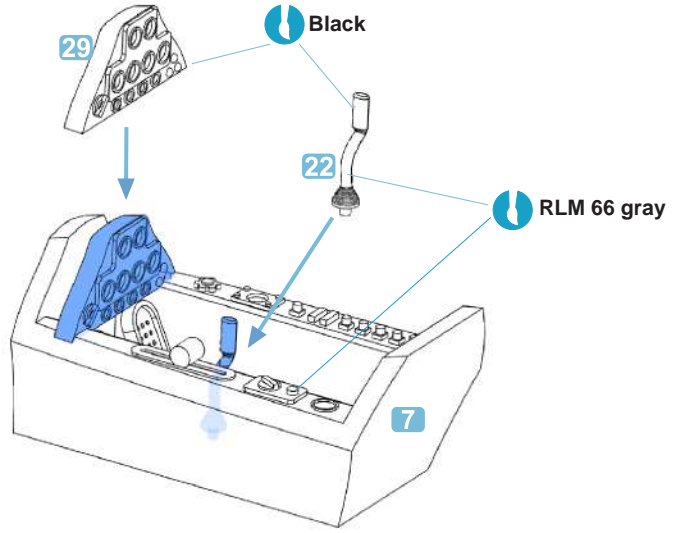
FW-281(Project VIII) (Einmotoriges Jagdflugzeug mit PTL-Gerat 021fighter with Daimler-Benz DB 109-021 turboprop engine.

Focke-Wulf Project VIII was a design study for a turboprop-powered fighter-bomber undertaken in Germany during World War II. It was based on the work previously done on Project VII, nicknamed the Flitzer. Project VIII was for an aircraft very similar in shape. The performance was calculated to be much better, but the non sweepback of the tail surfaces caused estimated problems at high speed and the project was abandoned.

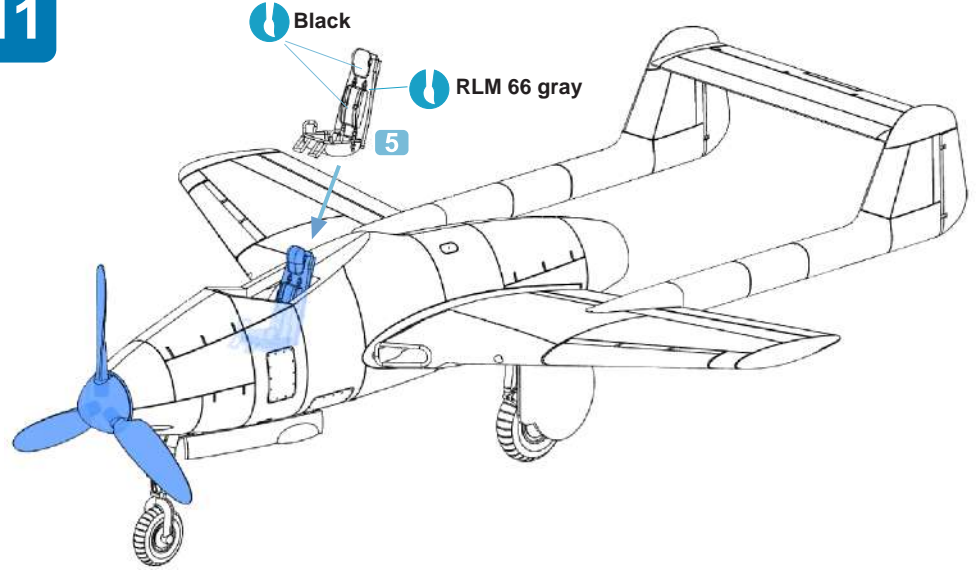
-  RLM 76 Lichtblau
-  RLM 82 Hellgrun
-  RLM 83 Dunkelgrun



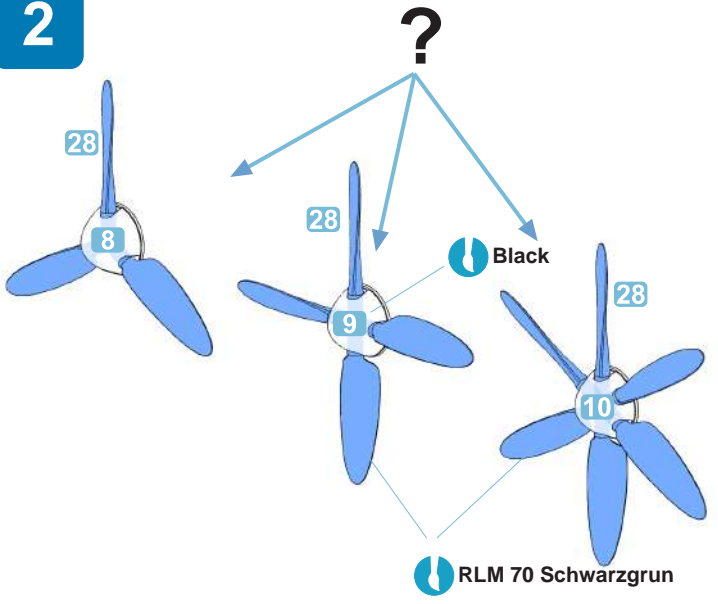
1



11



2



12

