

Henschel Hs123 B1

High Quality Scale Model Kit

1/48

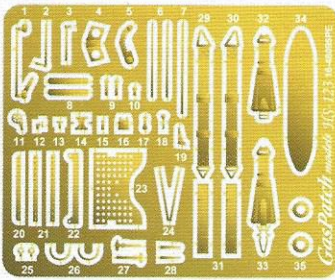
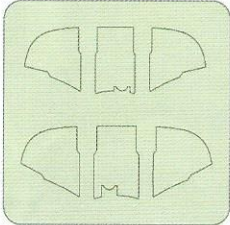
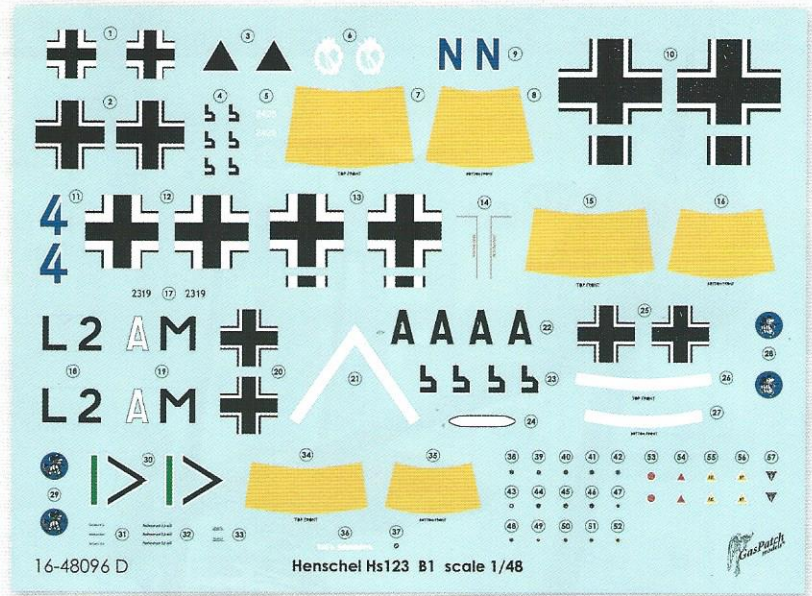


Photo Etched



Wind shield mask



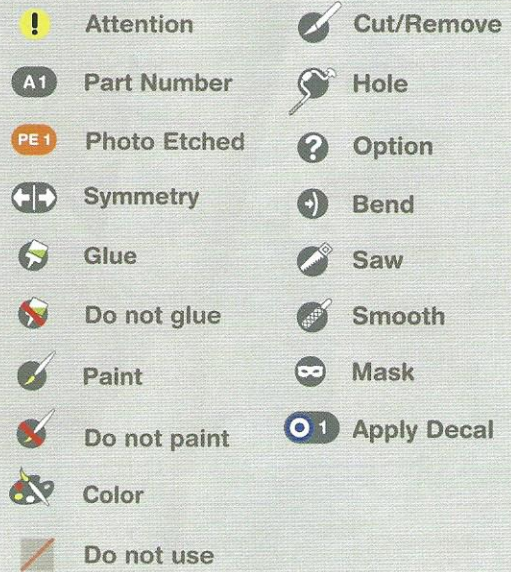
Decal sheet

Color Reference

White
 Aluminum
 RLM - 02
 RLM - 04
 RLM - 22
 RLM - 23
 RLM - 24
 RLM - 61
 RLM - 62
 RLM - 63
 RLM - 65
 RLM - 70
 RLM - 71
 RLM - 74
 Natural Metal
 Exhaust

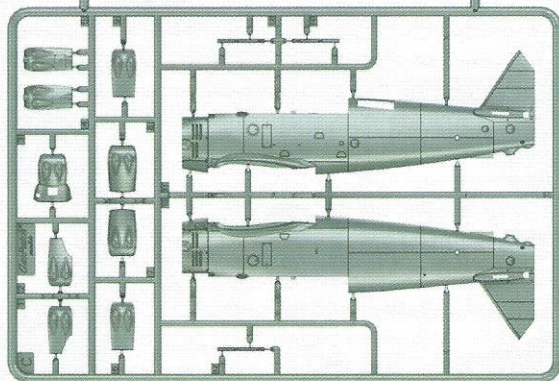
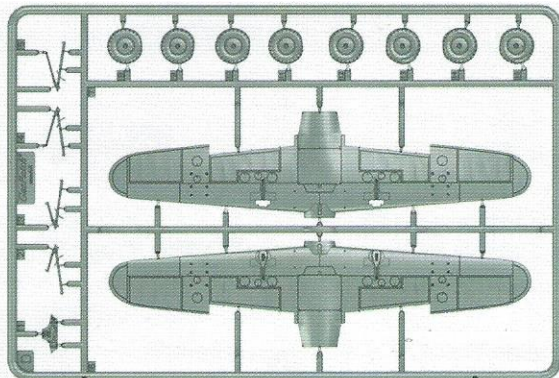
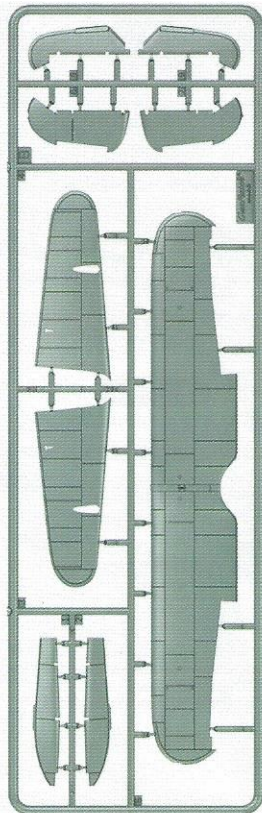


Symbols Reference



Tips and tricks

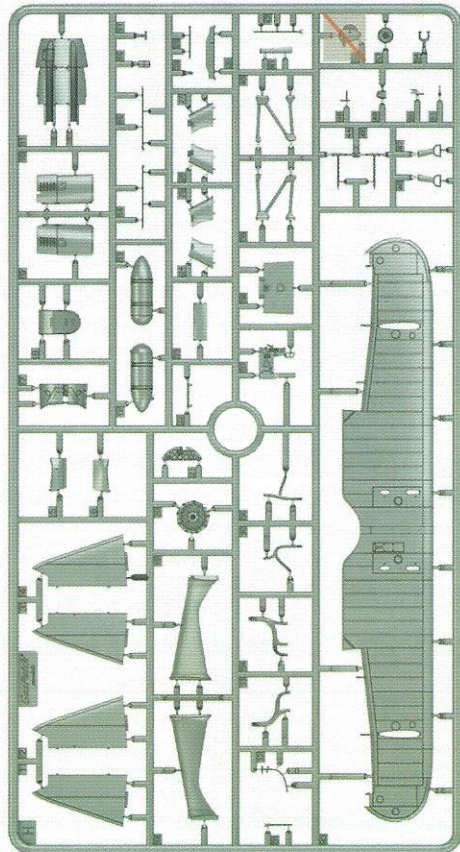
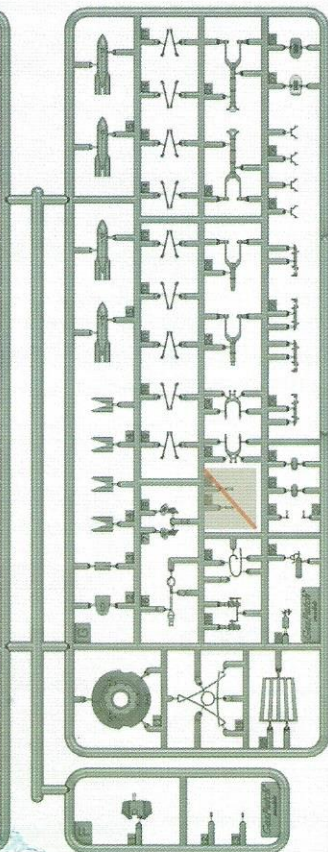
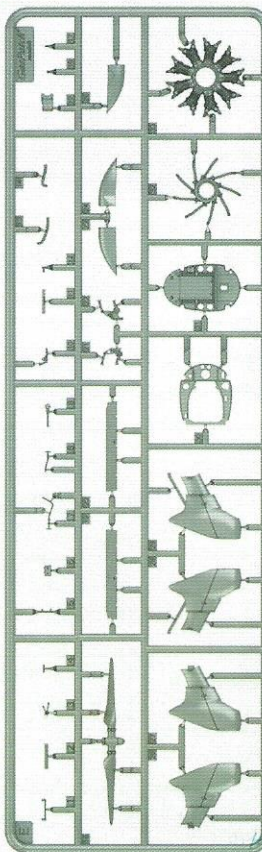
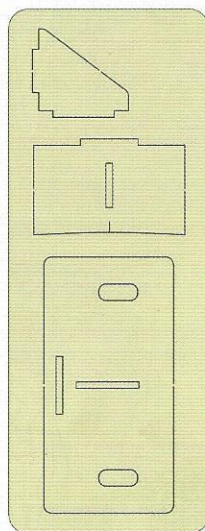
- ! STUDY INSTRUCTIONS CAREFULLY.
- ! USE PHOTO ETCHED SAW FOR CUTTING SMALL THIN PARTS FROM SPRUE TREE.
- ! USE CA (CYANOACRYLATE) OR WHITE GLUE FOR DIFFERENT MATERIALS.
- ! TAKE BASIC SAFETY PRECAUTIONS.



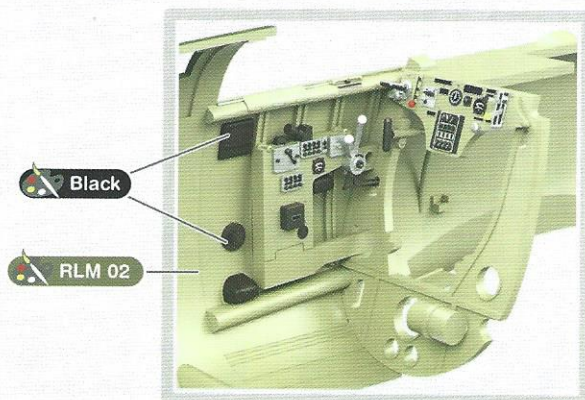
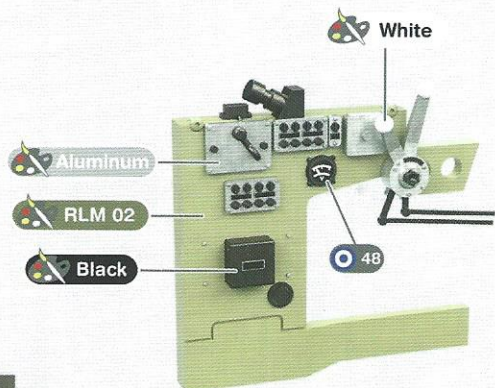
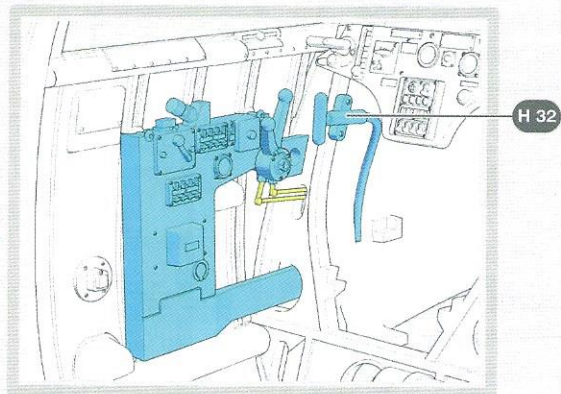
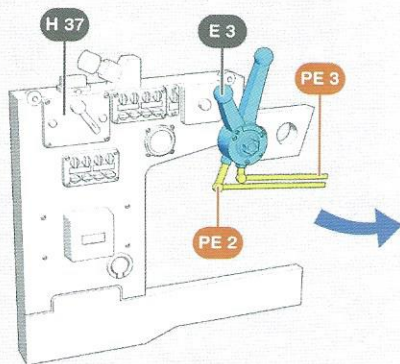
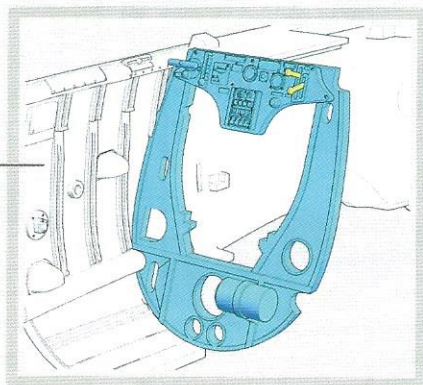
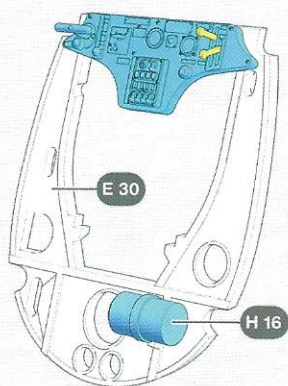
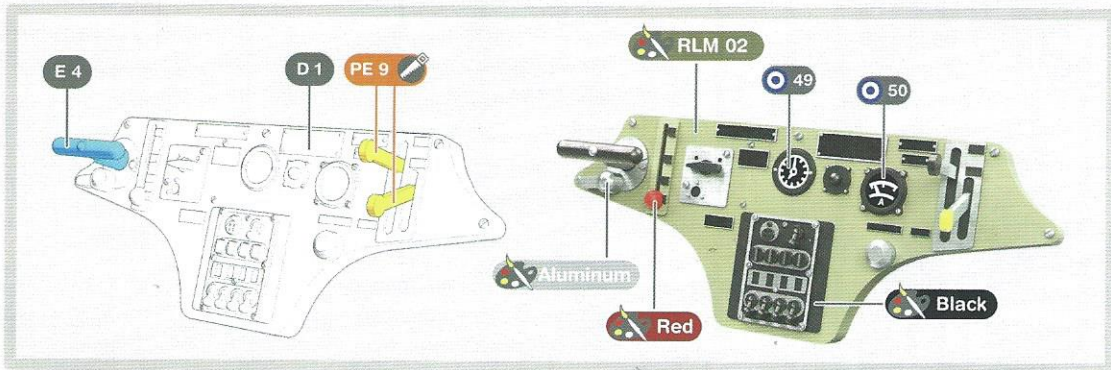
Revi Glass

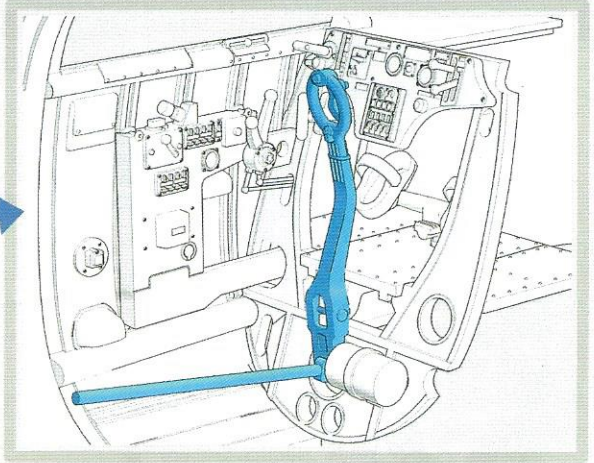
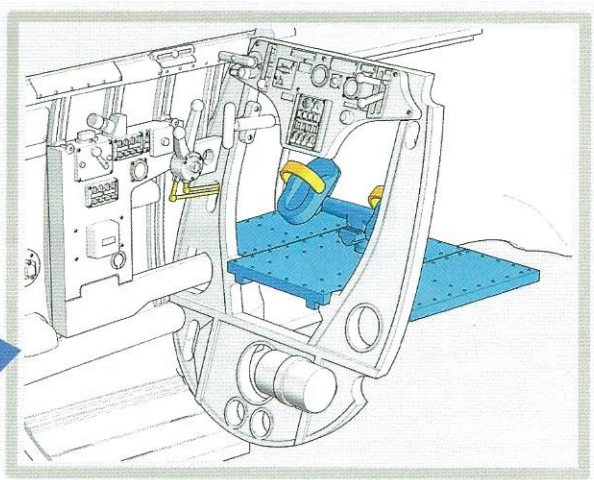
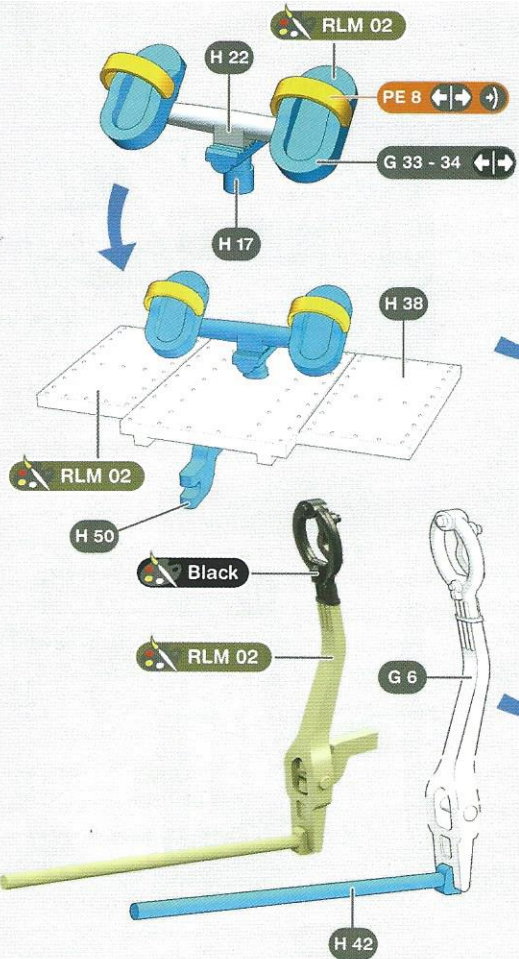
Acetate film

Carton Jig

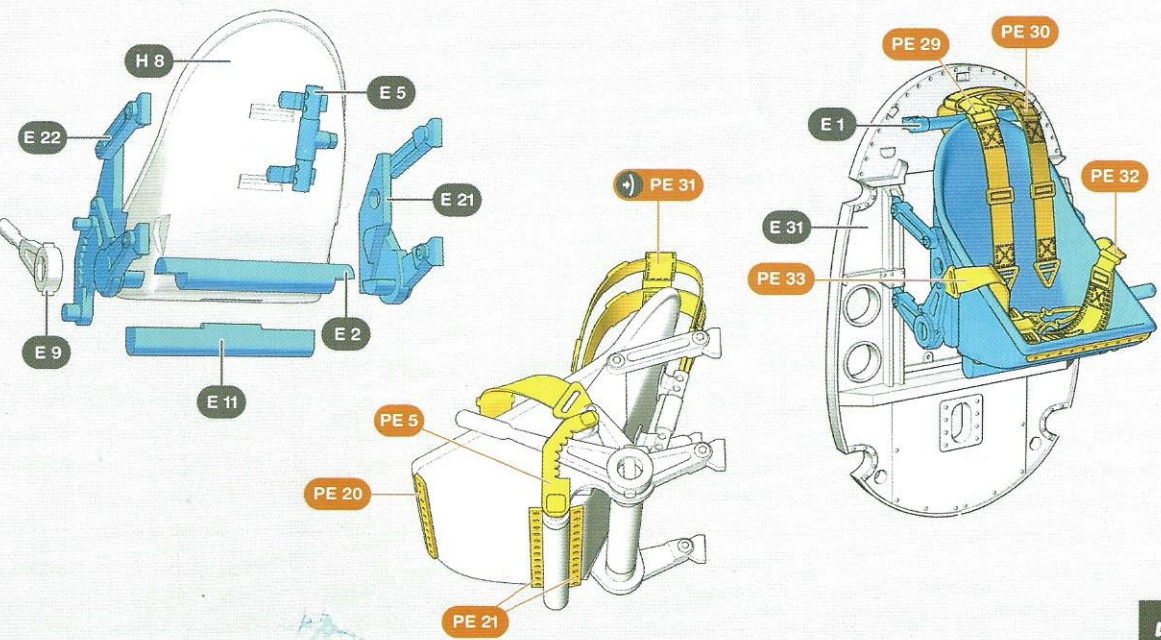


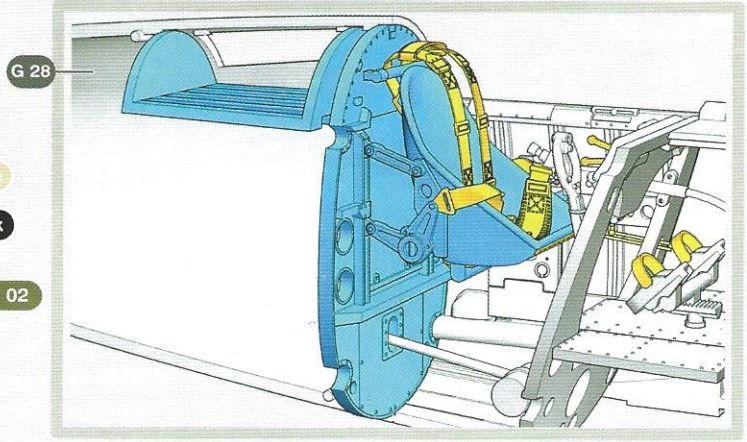
1 Building the interior (Left side)



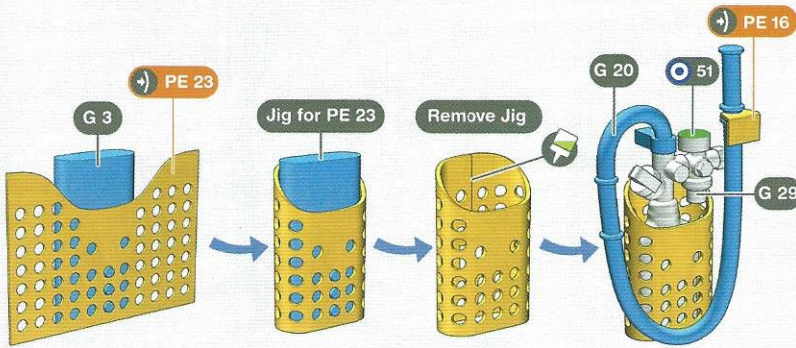


2 Building the pilot's seat & paint instructions

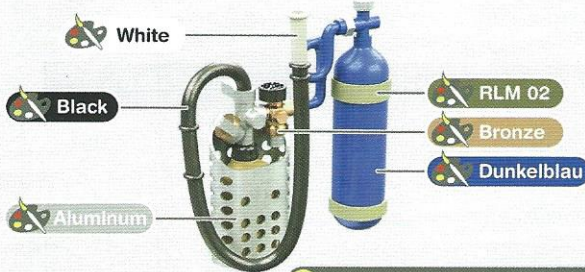
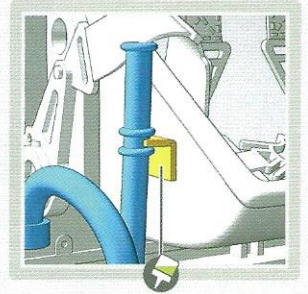




3 Building the interior (Right side)

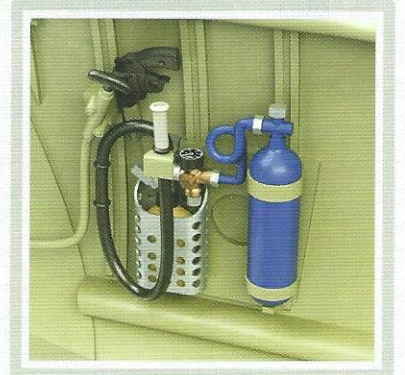
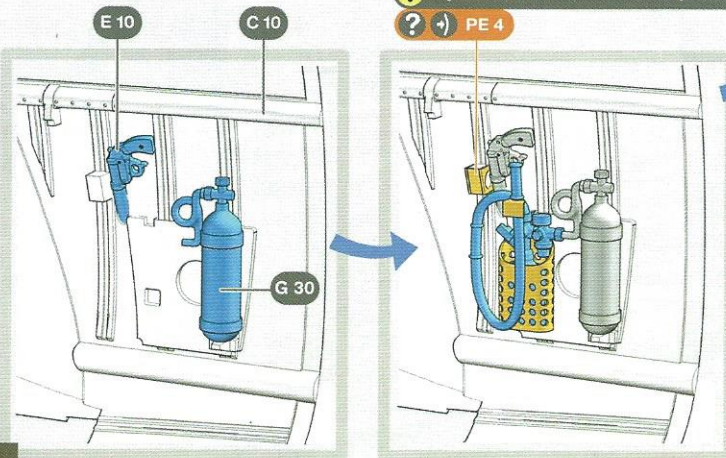
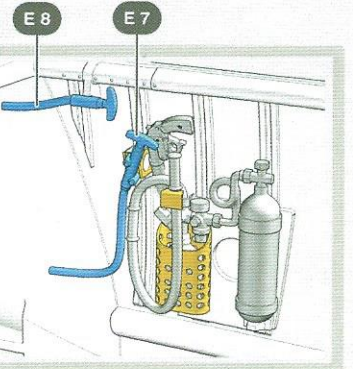


! After joining fuselage glue on pilot's seat

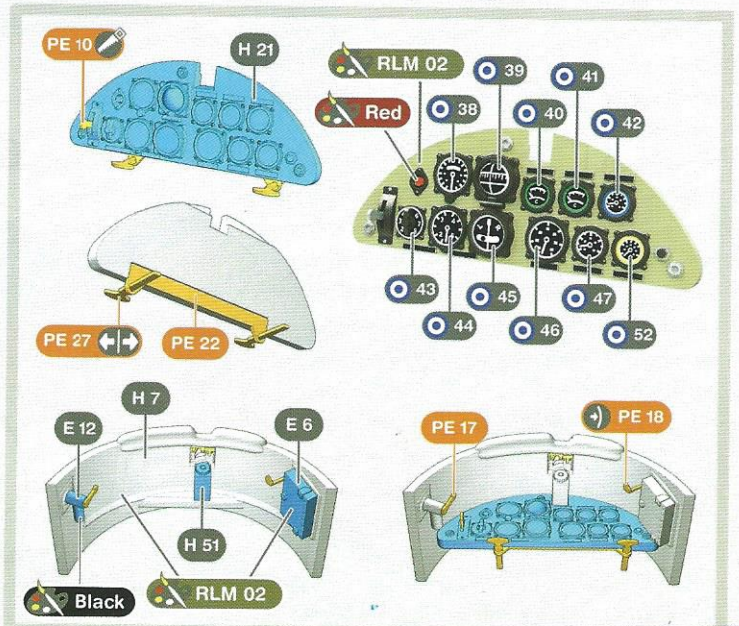
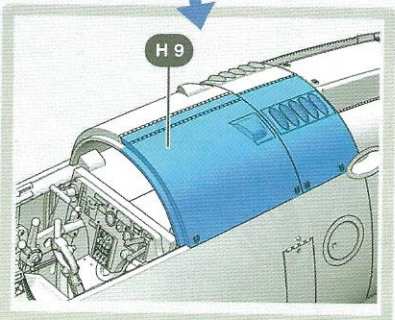
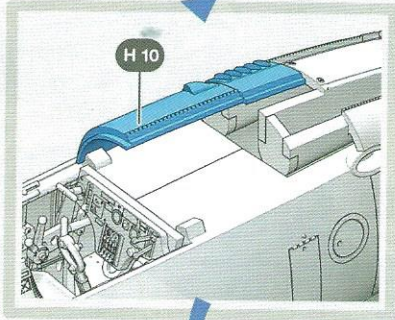
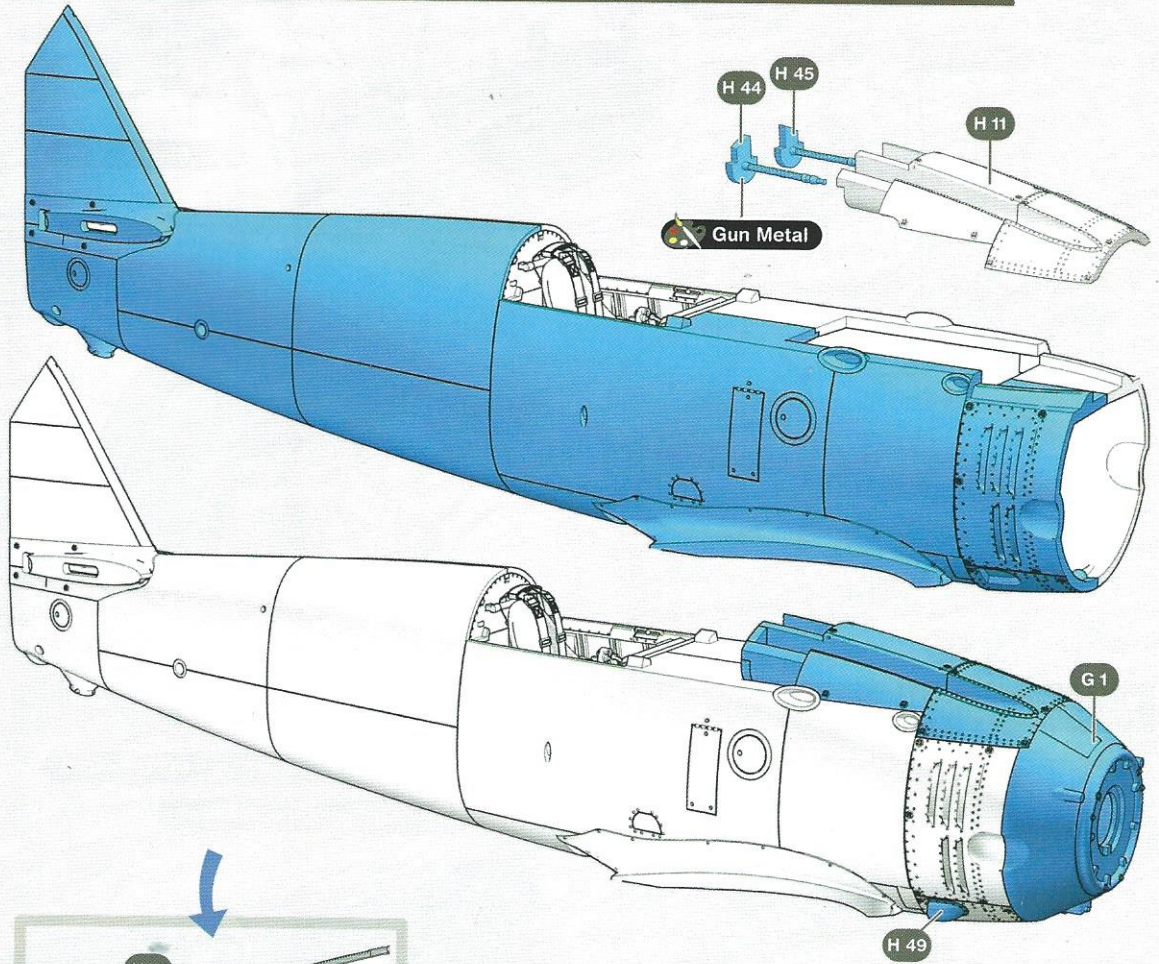


! If you use PE 4 cut & remove plastic

? PE 4

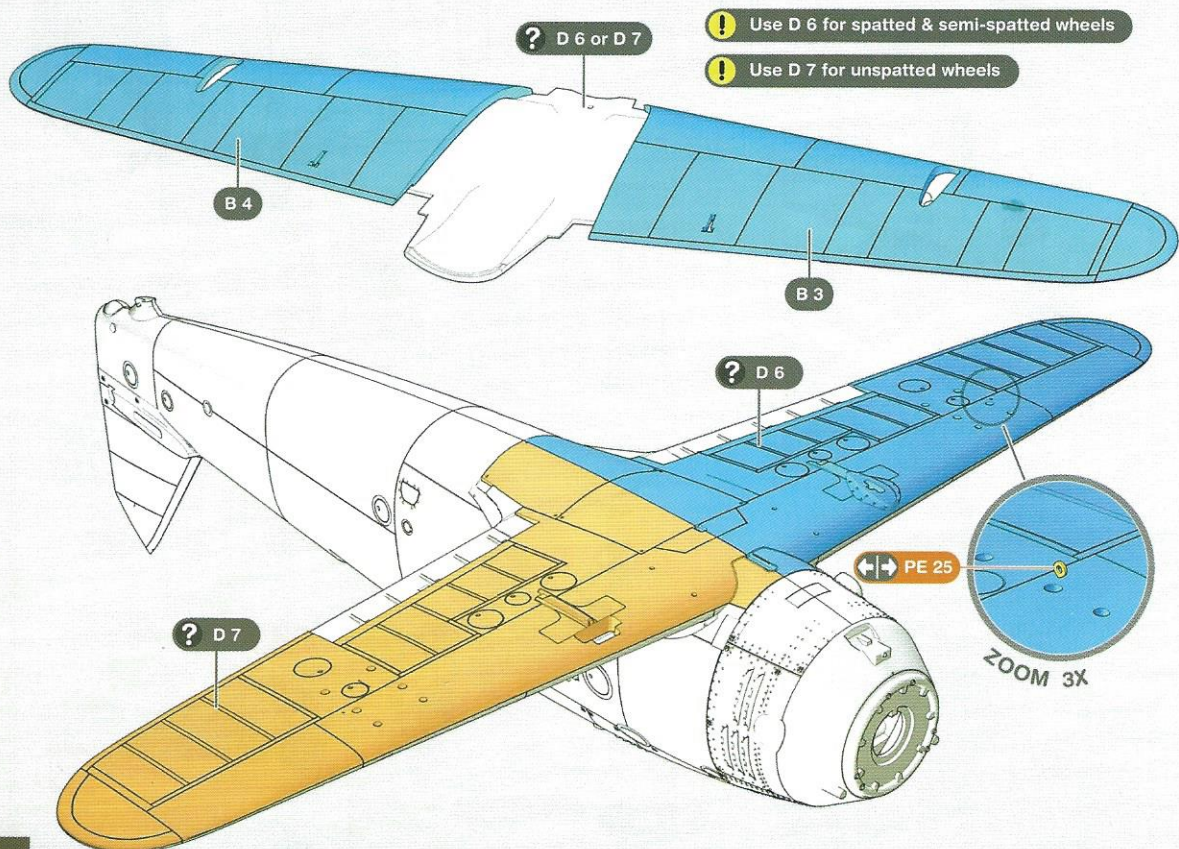


4 Closing the fuselage

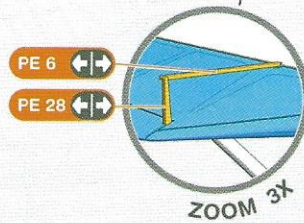
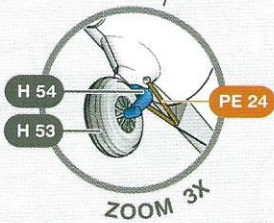
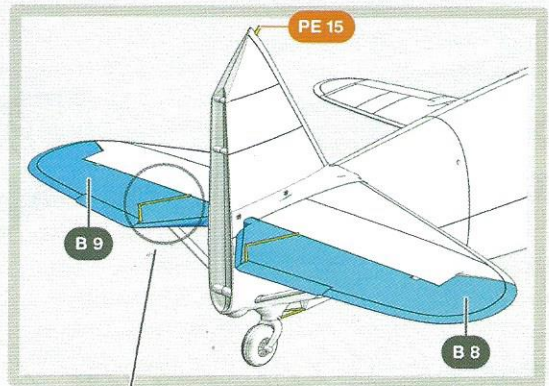
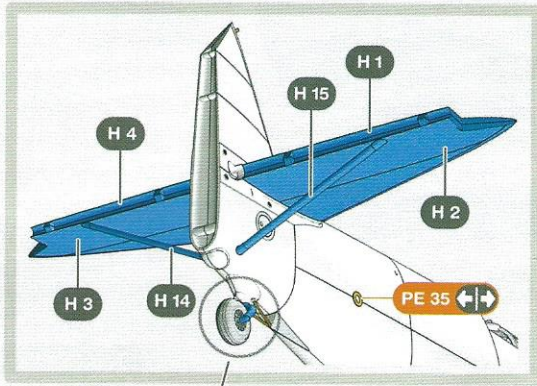




5 Building the lower wings

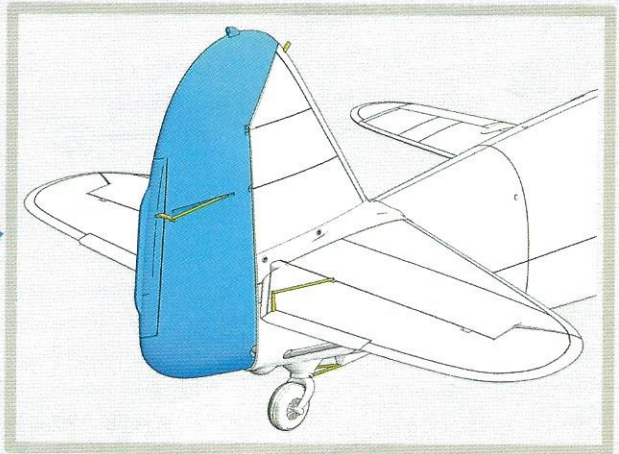
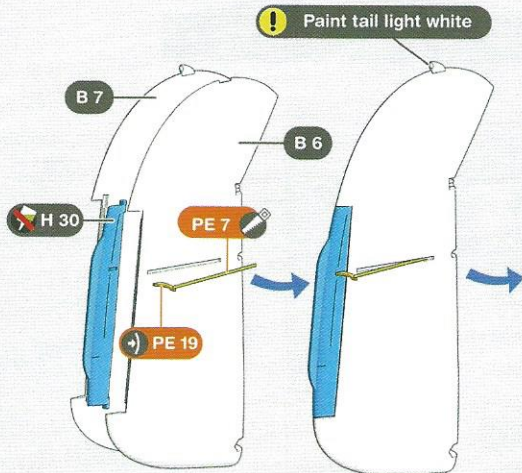


6 Building the elevators and tail wheel

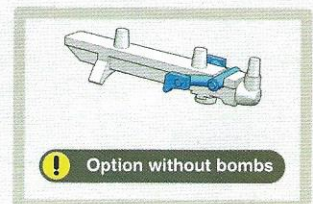
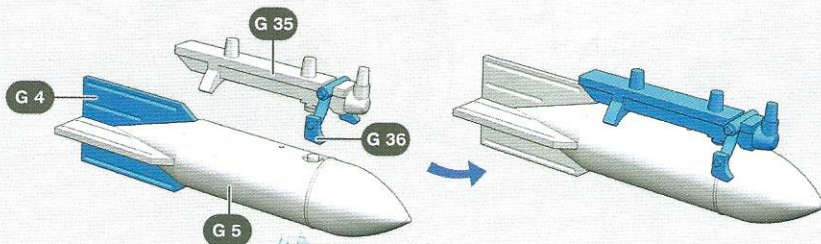


7 Building the rudder

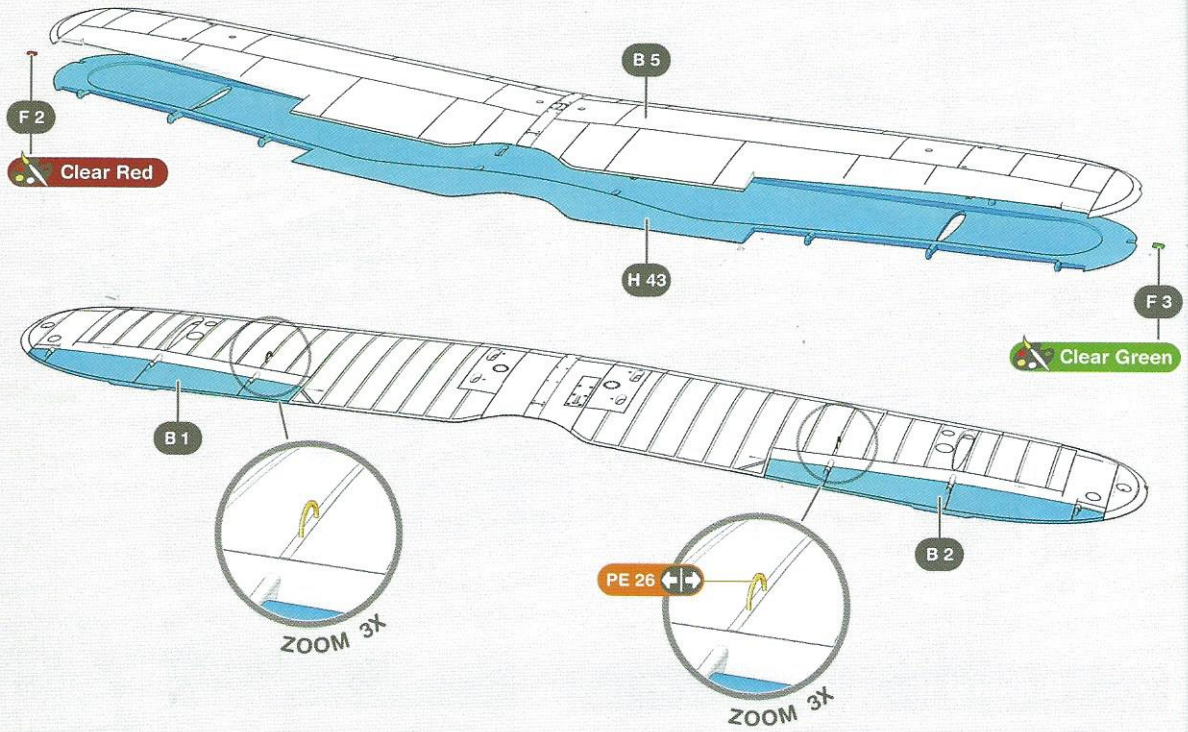
! Paint tail light white



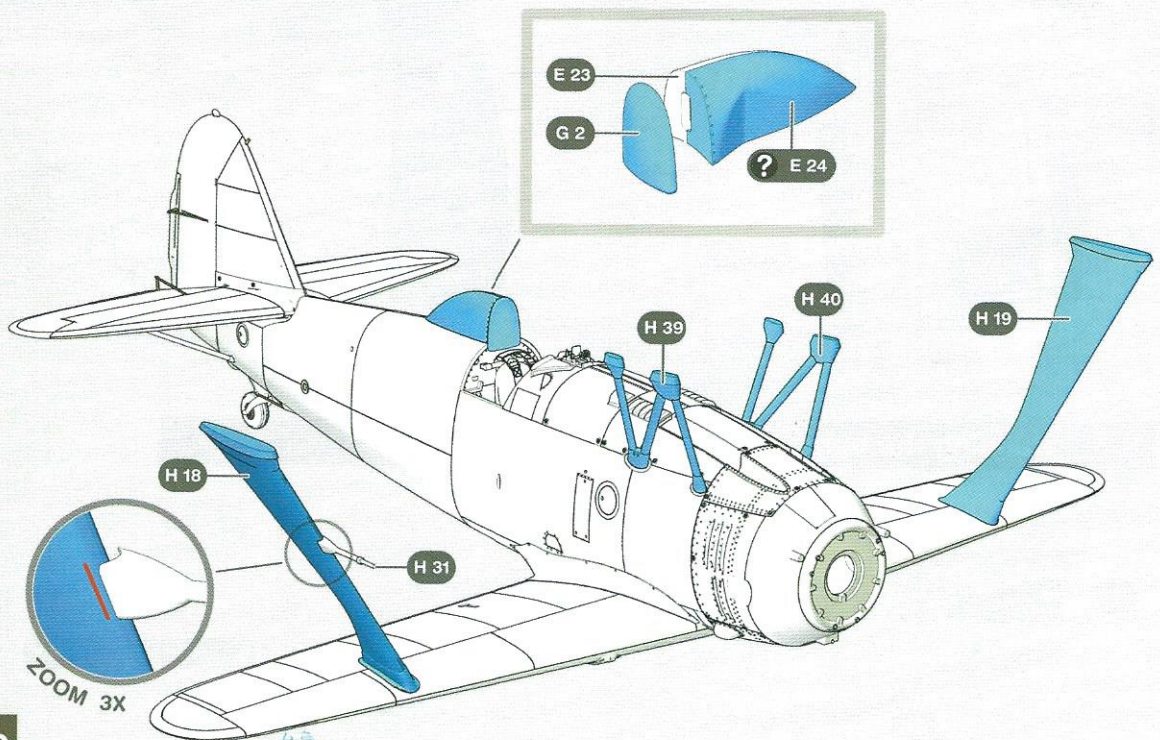
8 Building the bombs & Bomb racks

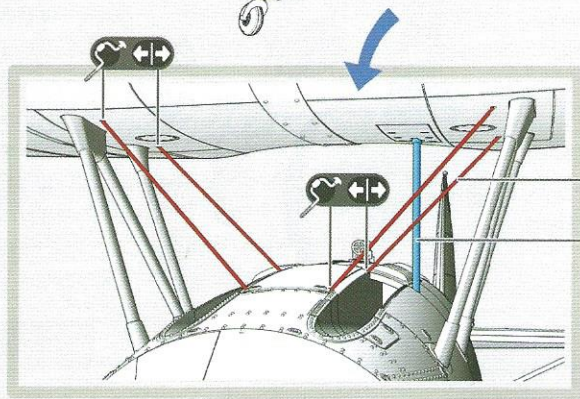
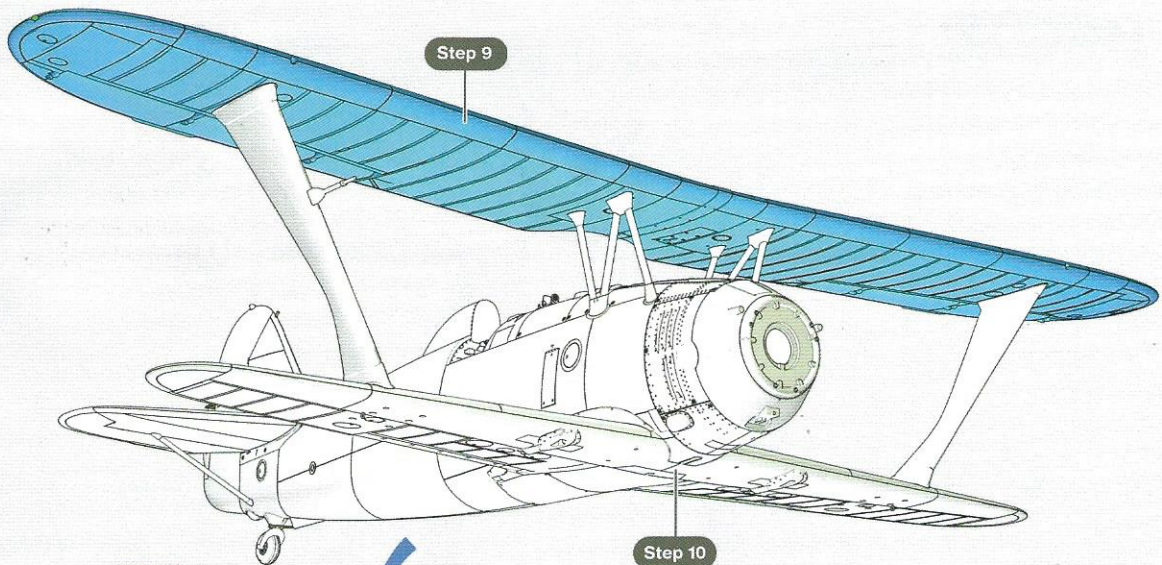


9 Building the upper wing



10 Struts & Upper wing assembly



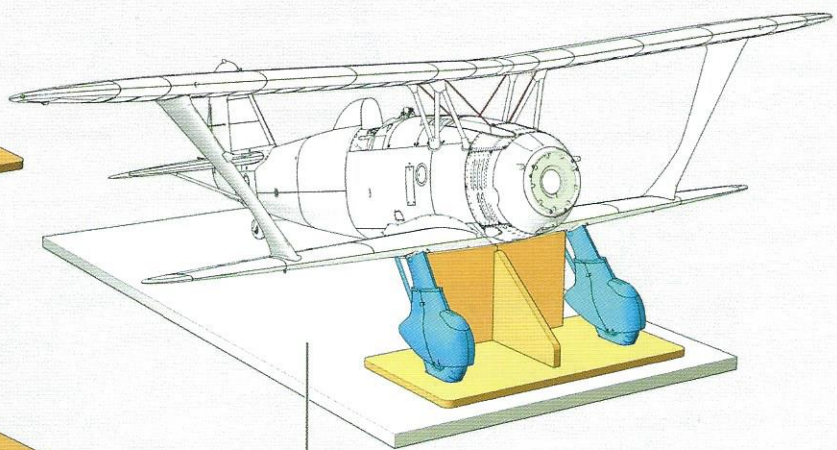
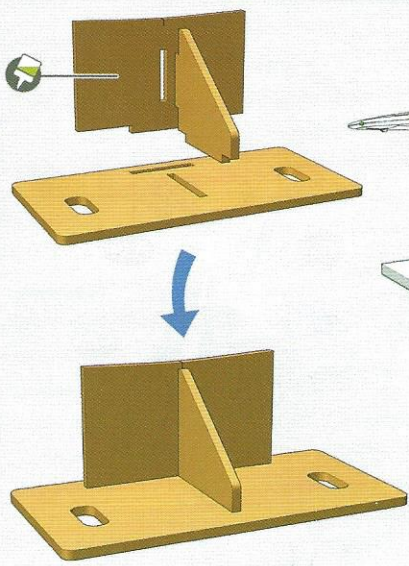


! Rigging not included

H 29

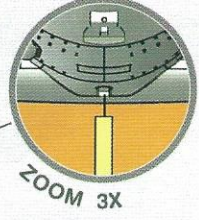
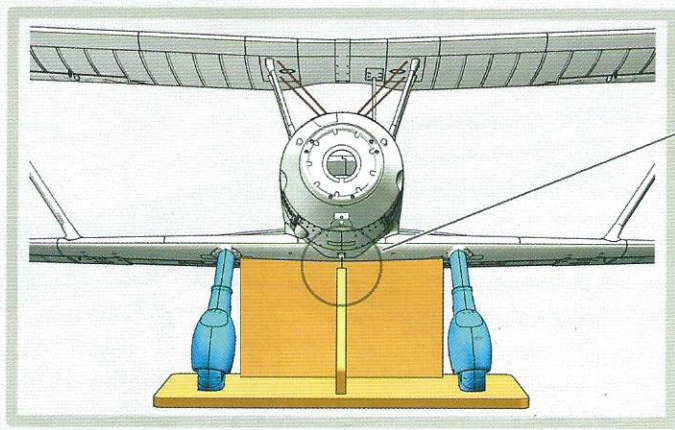
11 Building the wheels

! Use carton jig for better wheel alignment

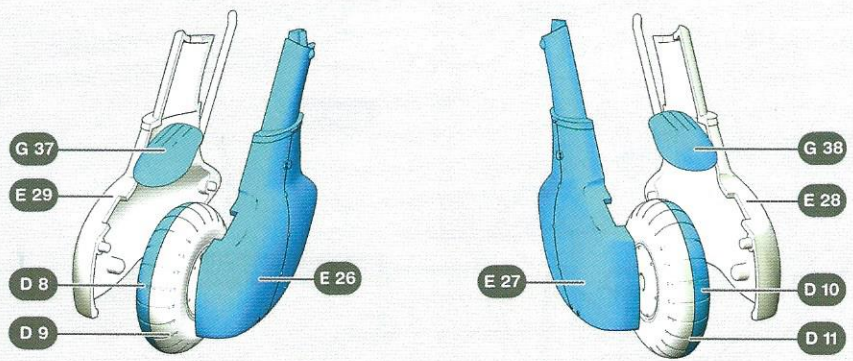


! Use flat surface for base

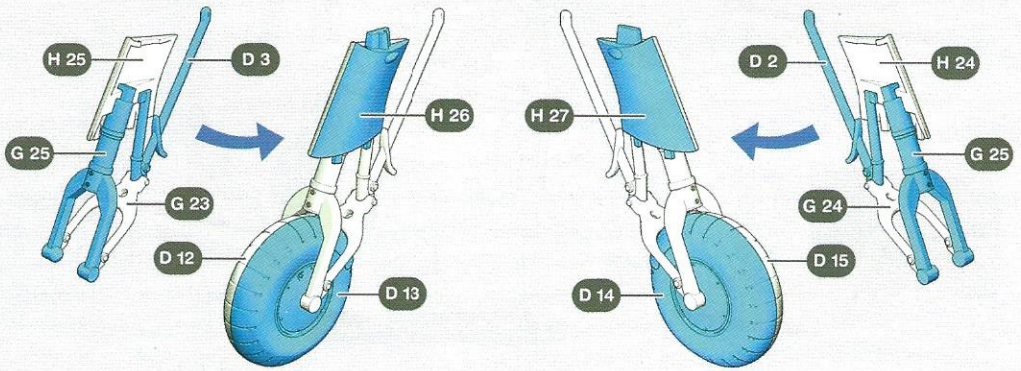
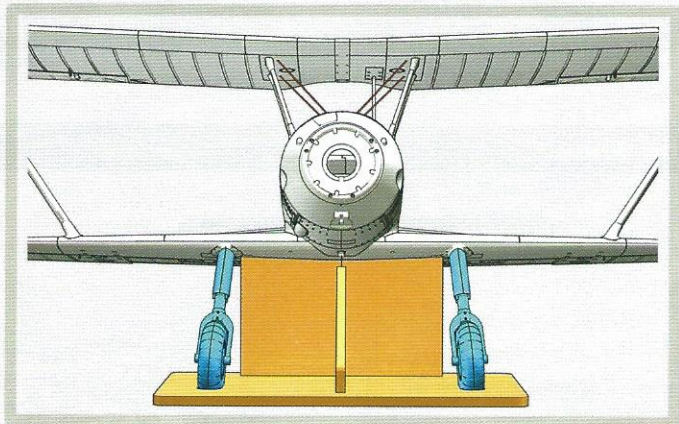
? Option A - Spatted

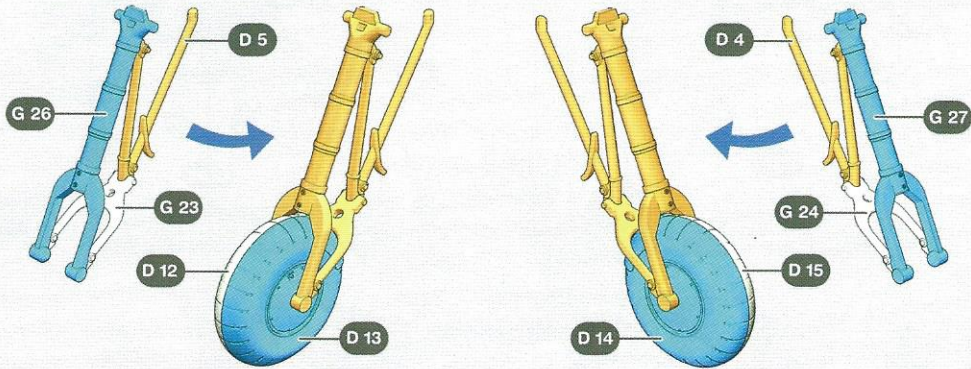
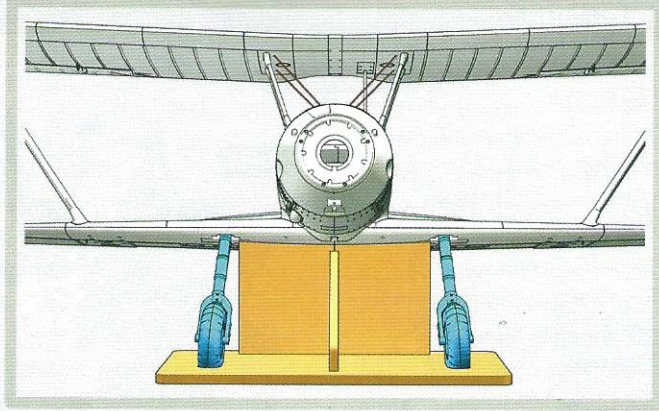


! Align gap with central panel line

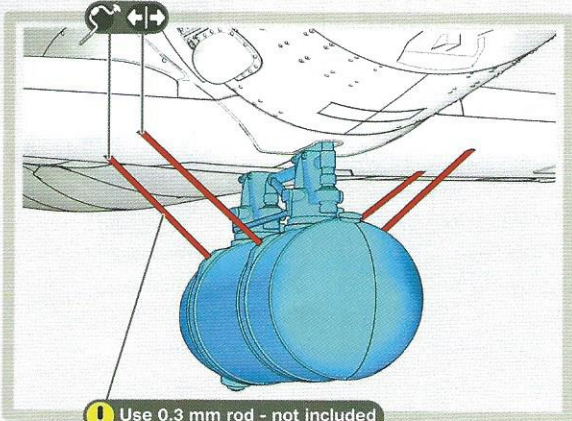
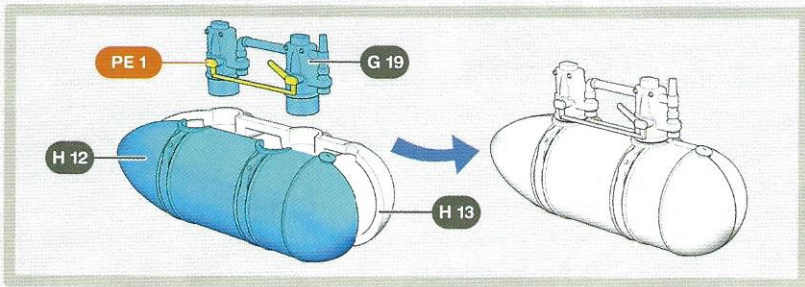


? Option B
Semi - spatted

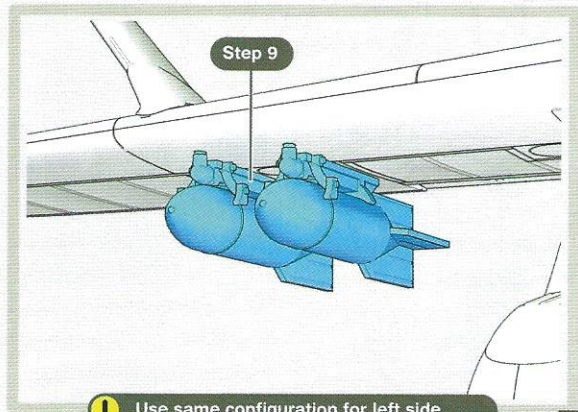




12 Building the fuel tank & positioning the bombs

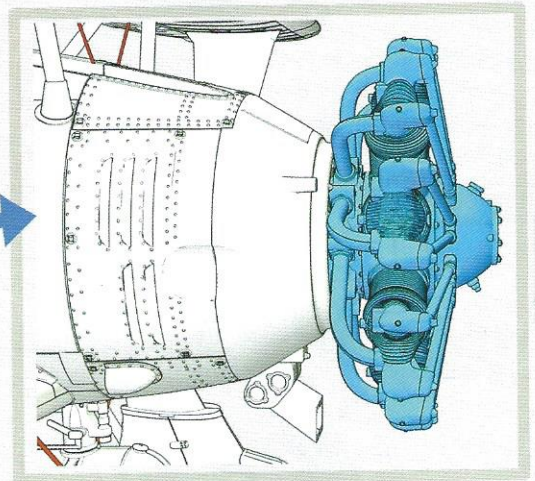
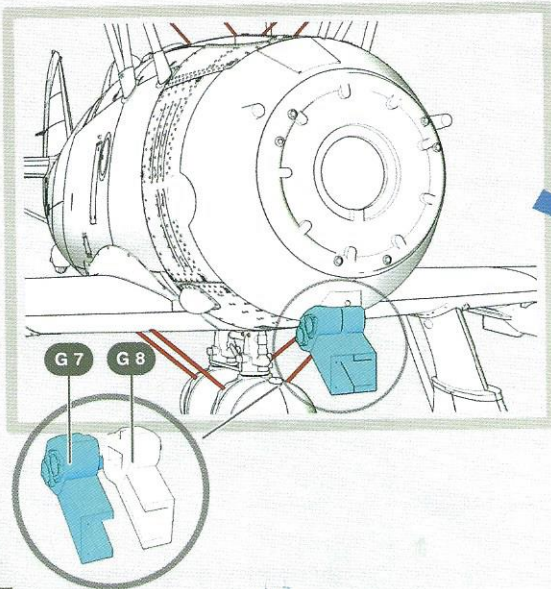
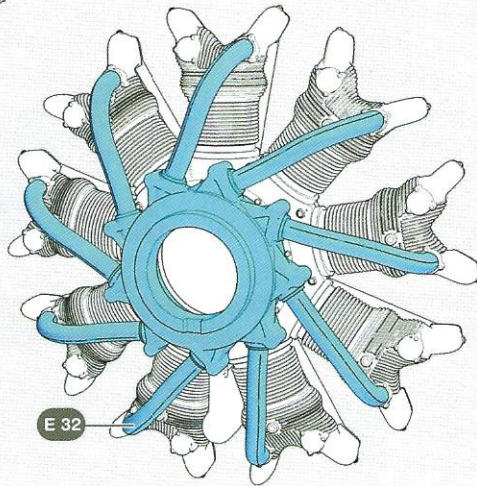
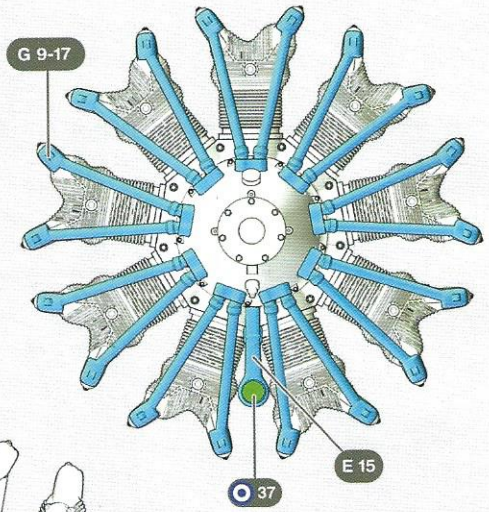
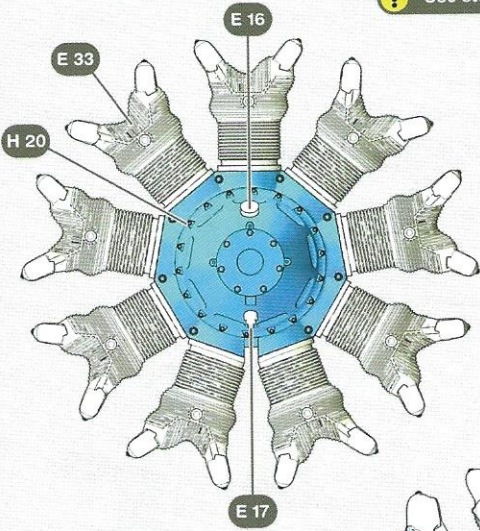


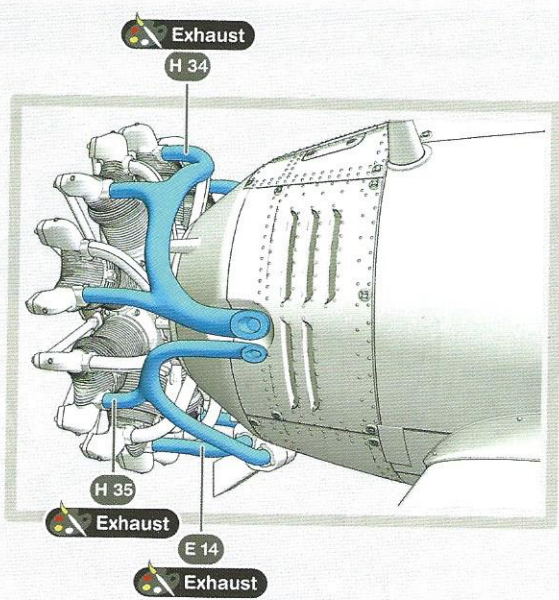
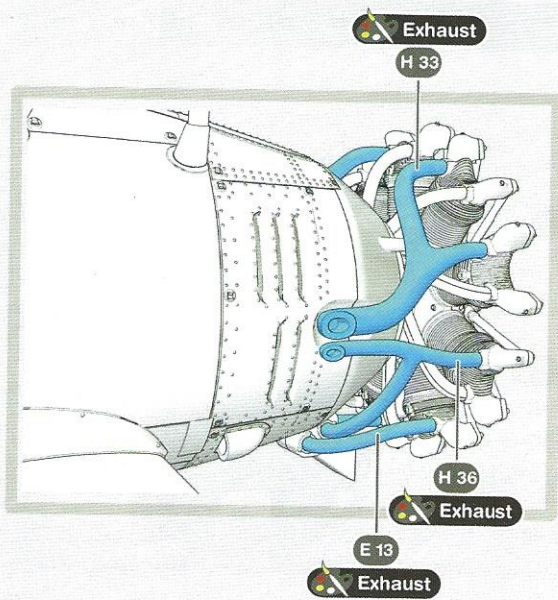
! Use 0.3 mm rod - not included



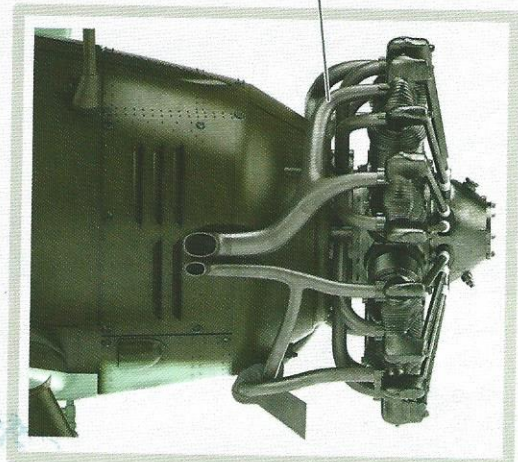
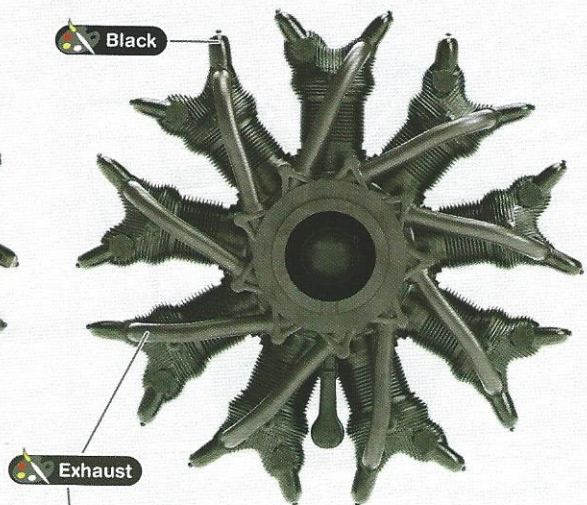
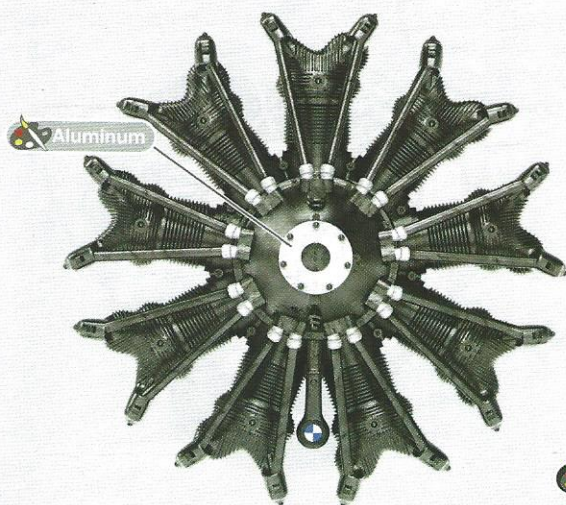
! Use same configuration for left side

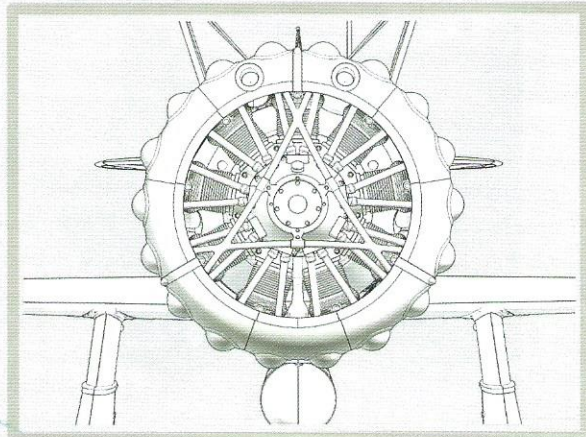
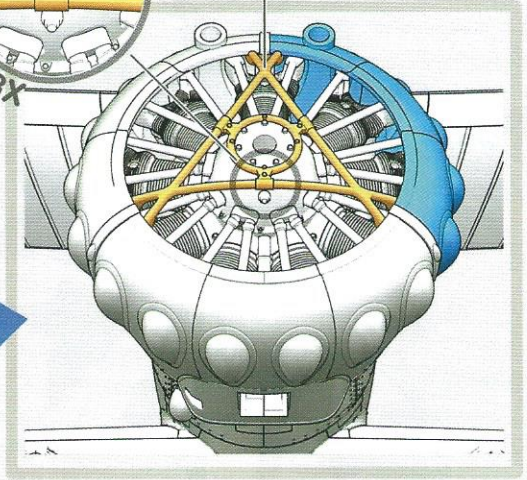
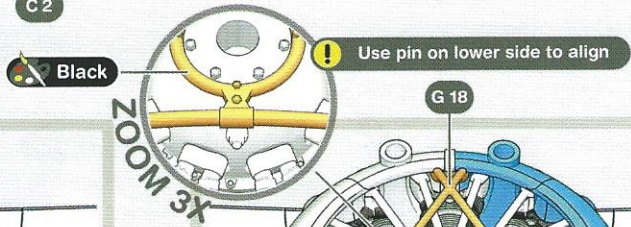
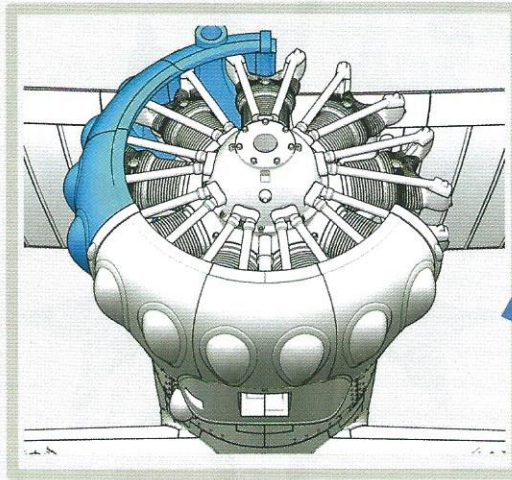
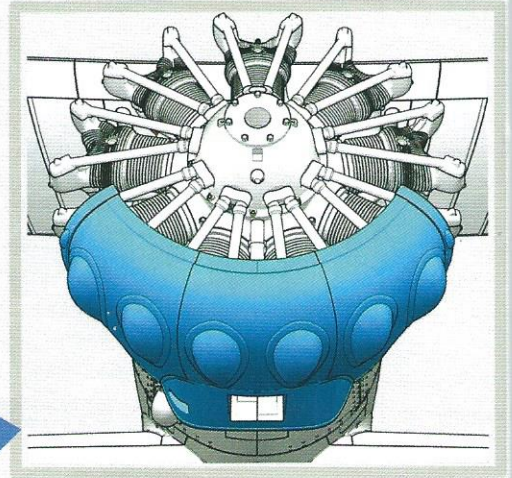
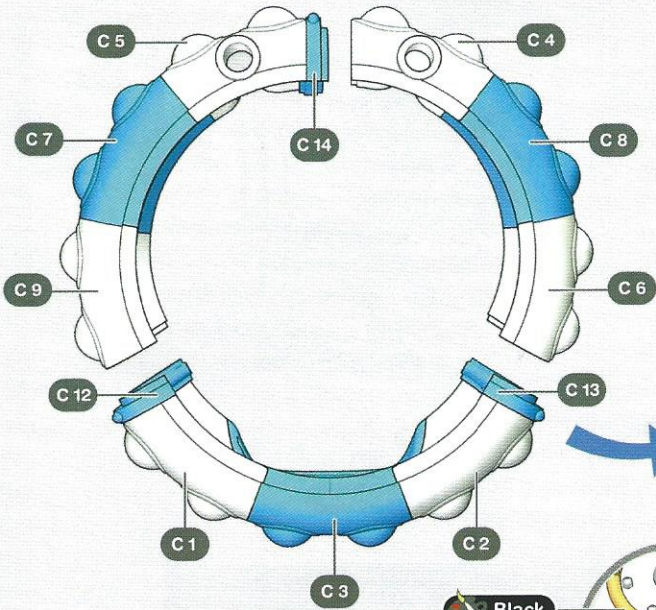
! See step 14 for paint



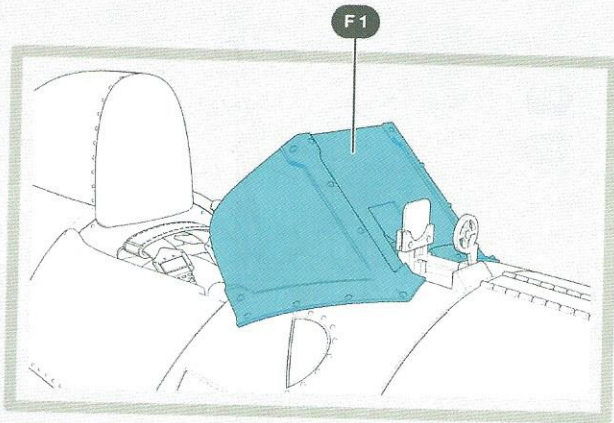


14 Engine painting instructions

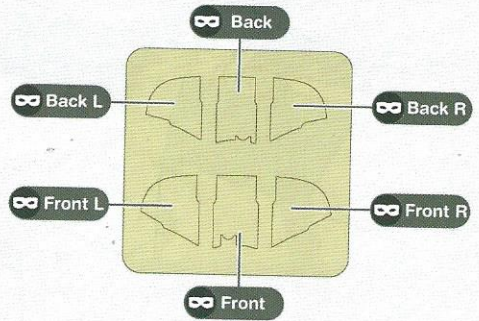




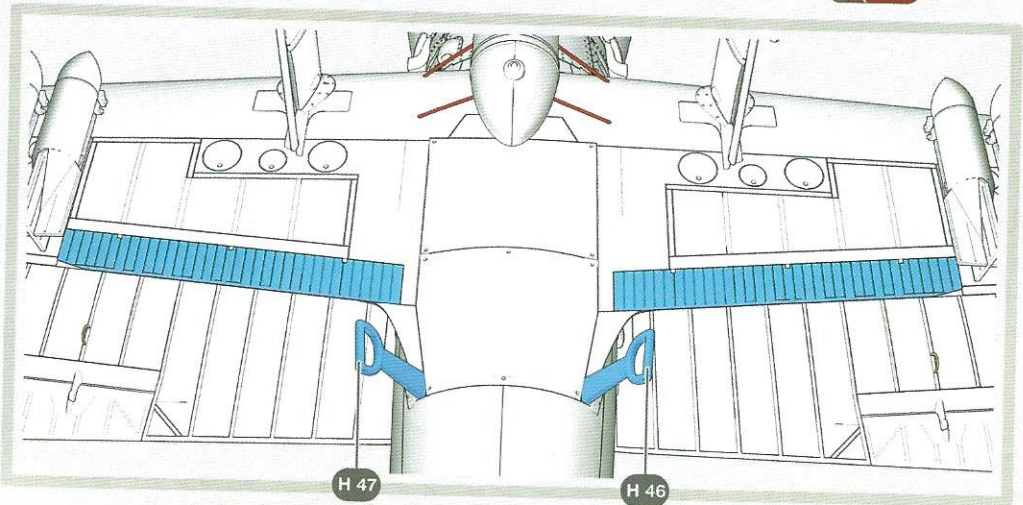
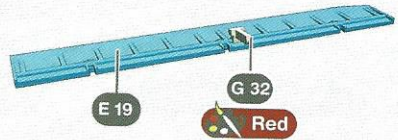
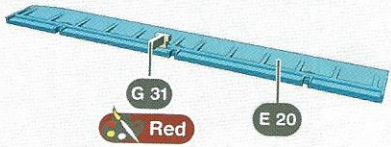
16 Building the wind shield



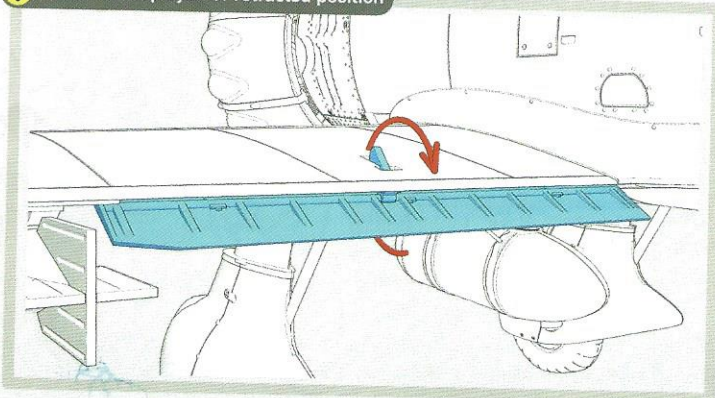
! Use provided masks for painting



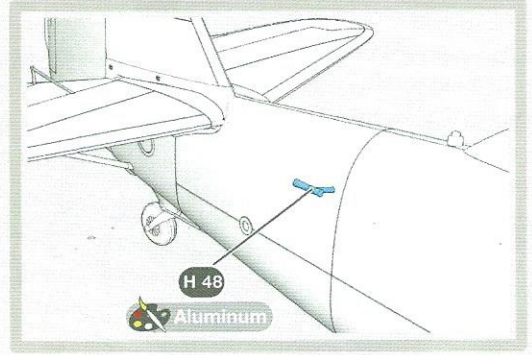
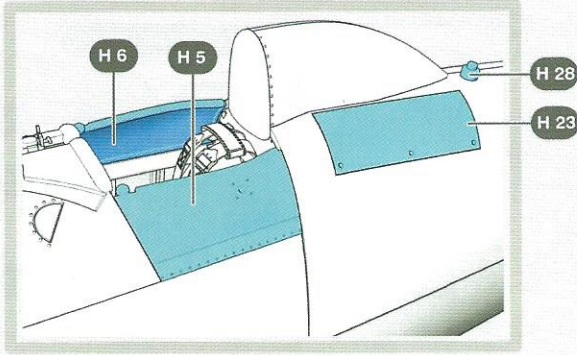
17 Building the dive brakes



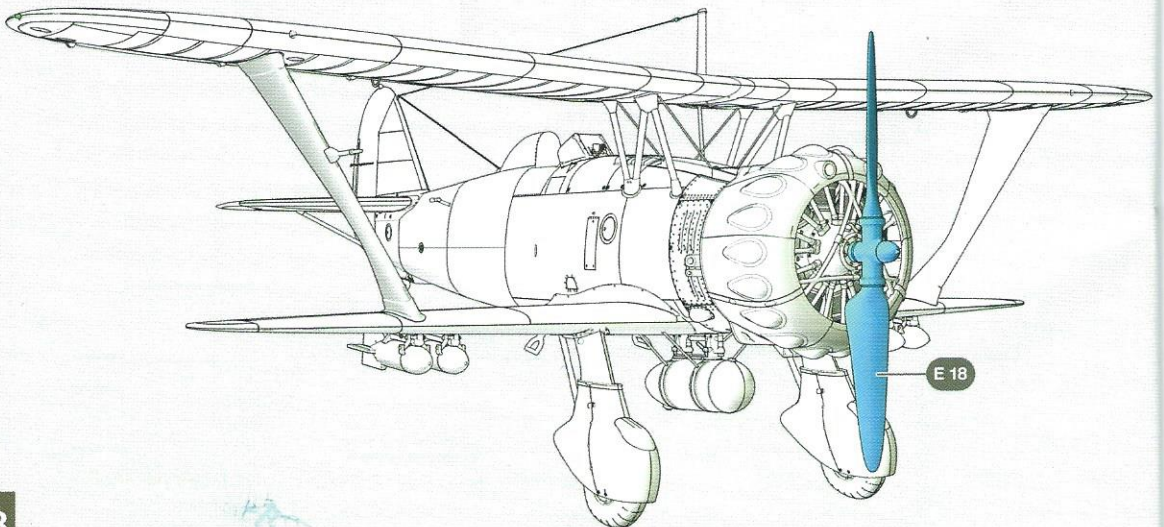
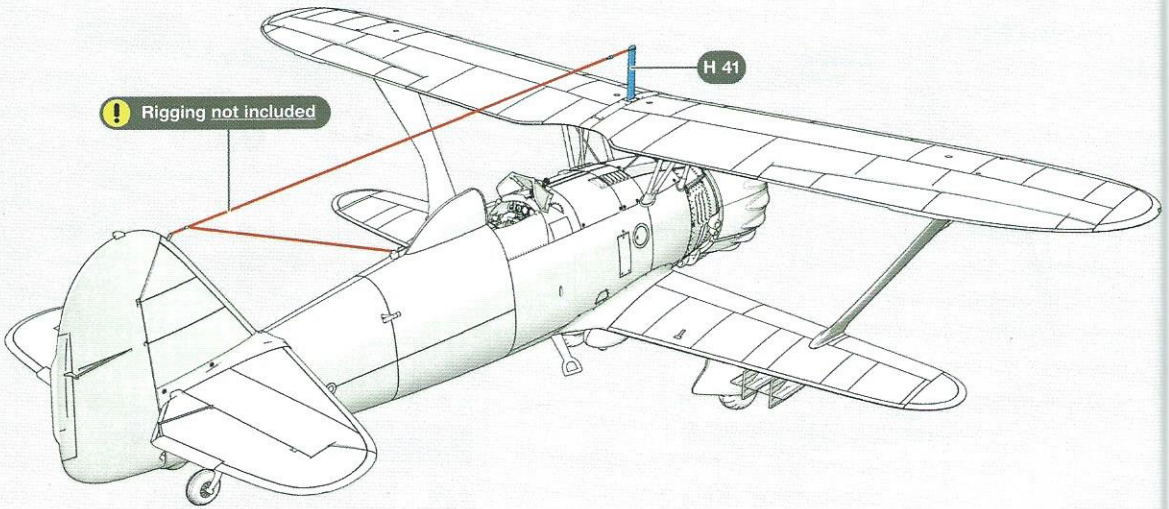
! Swivel to deployed or retracted position



18 Building the cockpit & luggage compartment doors



19 Building the propeller & antenna wires



Aircraft anchoring plan

