



# AAVP-7A1 RAM/RS w/EAAK

## AAVP-7A1 增加装甲型

AAVP-7A1 RAM/RS改进型两栖装甲输送车(带附加装甲)

### PLEASE READ BEFORE OPERATION!

- \* Tools recommended as below: (Not included)  
Adhesives; Paints; Side Cutters; Sharp Edged Pliers; Modeling Knife; Modeling File; Nippers; Drill; Scissors; Sand Paper; Soft Cloth; Cyanoacrylate Glue.
- \* Make sure to read this instruction listed below before assembling.
- \* The kit contains the small parts, they can be dangerous if swallowed by mistake, so keep them away from reach of children.
- \* Cut the all parts off carefully and remove the waste parts into the garbage can.
- \* More caution and care should be needed for cutting and handling the photo etched parts.
- \* Take attention that some parts should be attached the decal when assembled.
- \* During assembling, please tear up and throw away the plastic bags, or may cause the dangerous if wearing over head by children's mistake.
- \* When using the adhesives and paints, please do not use them in the closed room or near the fire, also must be very careful to protect your eyes, face and clothes.
- \* Adult supervised when assembled by children under 14 years old.

### 装配前请仔细阅读:

- \* 推荐使用的模型工具(请自备):  
专用模型胶水, 专用模型油漆, 水口剪刀, 长咀钳, 刀片, 锉刀, 镊子钳, 钻, 剪刀, 软布, 砂纸, 瞬间快干胶等。
- \* 用水口剪刀或刀片小心切下所有塑胶零件和蚀刻片零件, 不要遗失小零件。
- \* 切取蚀刻片时应特别注意防止利边划伤手指。
- \* 用模型锉刀小心锉平所有零件表面的注射浇口。
- \* 用适量的强力快干胶水粘合蚀刻片零件和金属轴, 切忌过量, 否则可能导致可动零件被粘住。
- \* 注意某些零件表面需在装配时同步贴上水贴纸。
- \* 制作时应远离幼儿并将包装袋及时收妥, 谨防小孩玩耍而引起意外。



using ca super glue  
使用强力胶



weight  
配重



make hole  
钻孔



cut / remove  
切除



option  
选择



no cement  
不涂胶水



decal  
贴纸



bend  
弯曲



repair  
填补

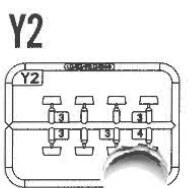
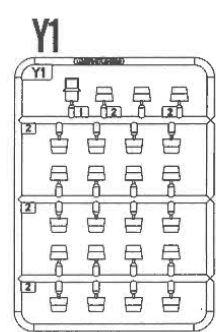
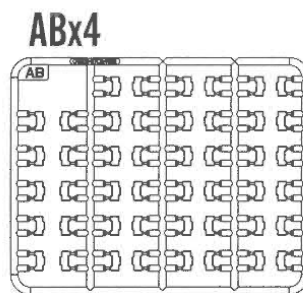
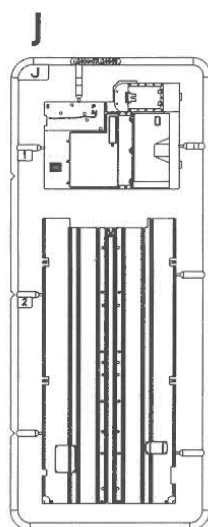
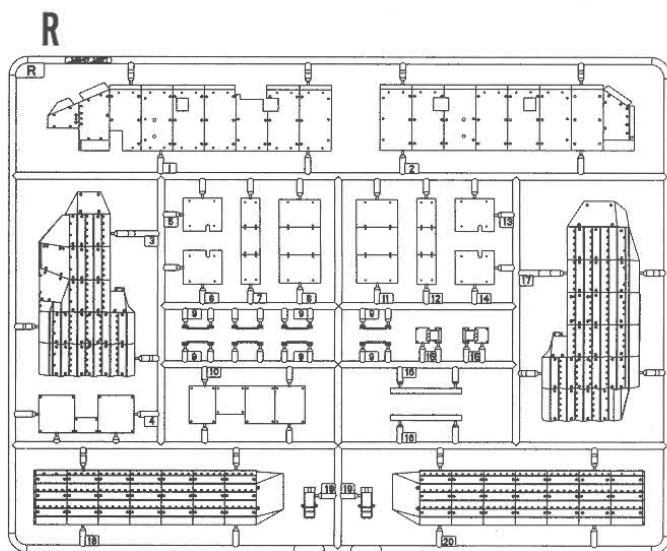
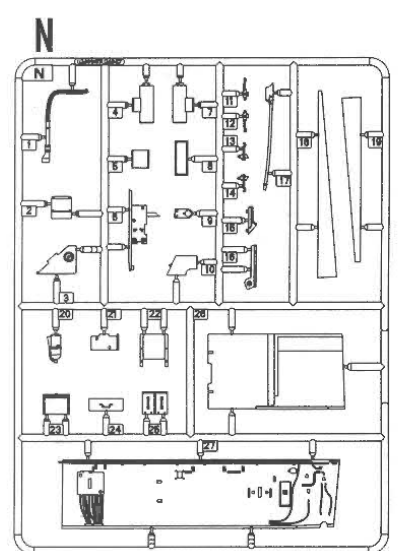
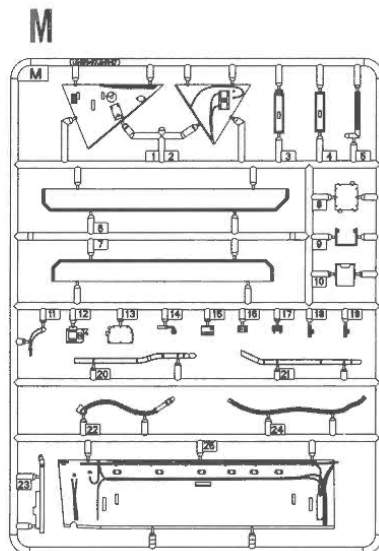
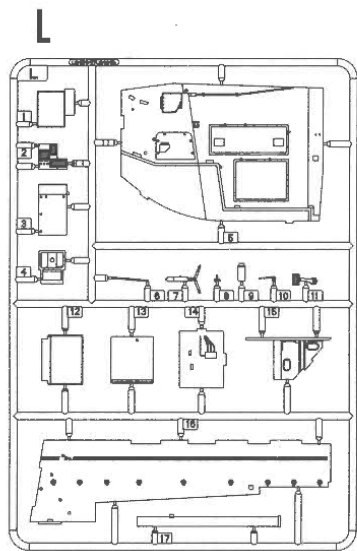
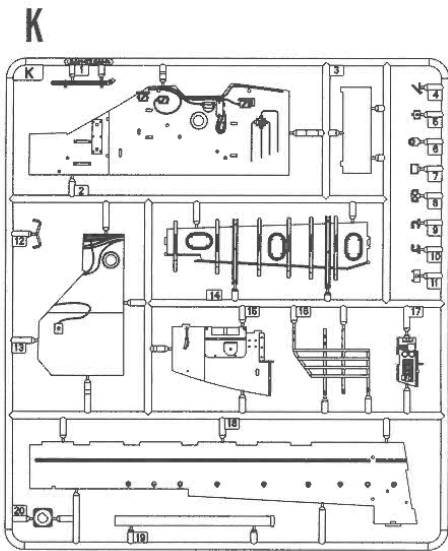
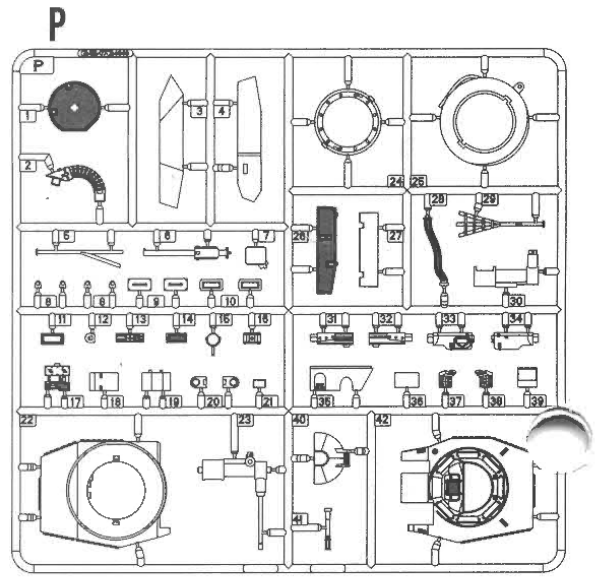
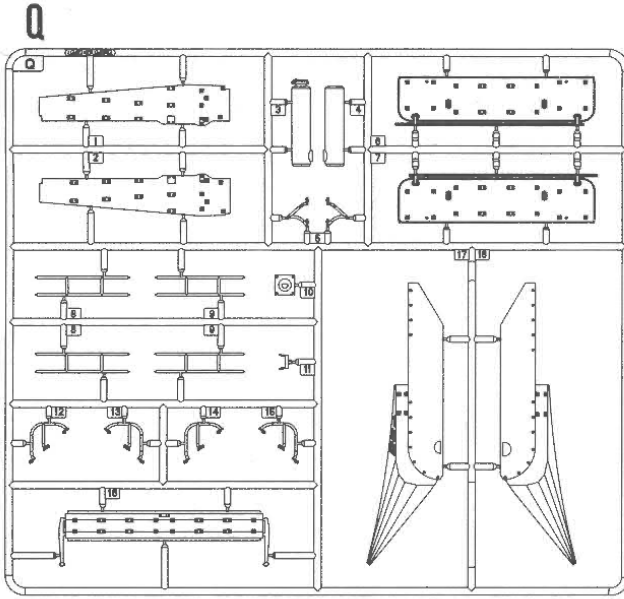
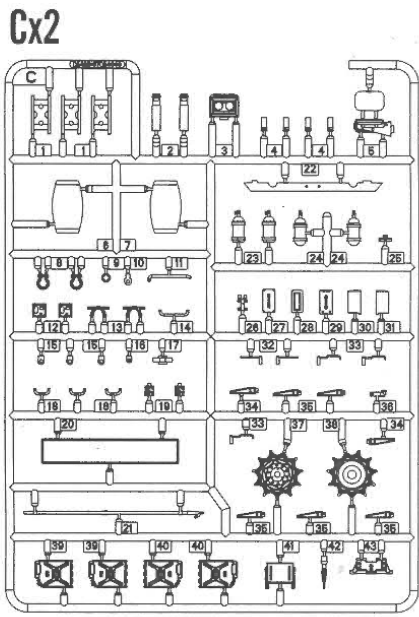
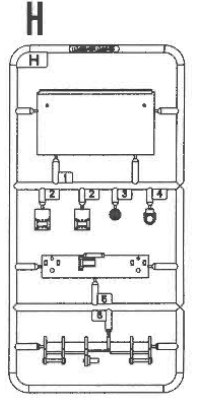
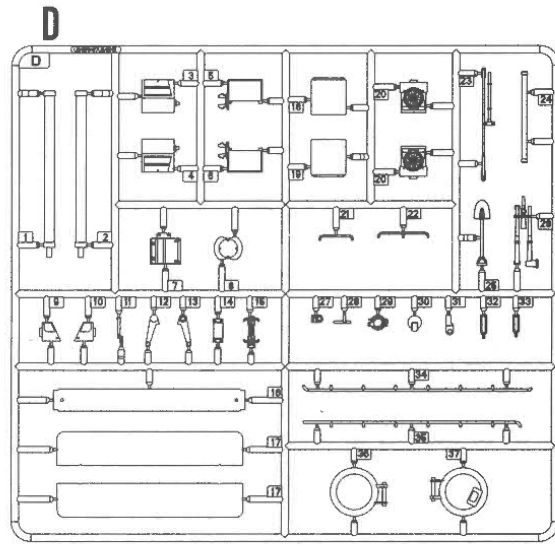
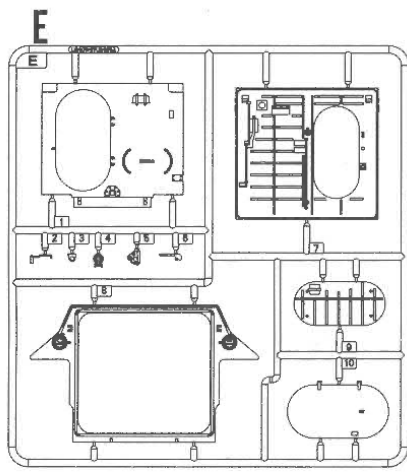
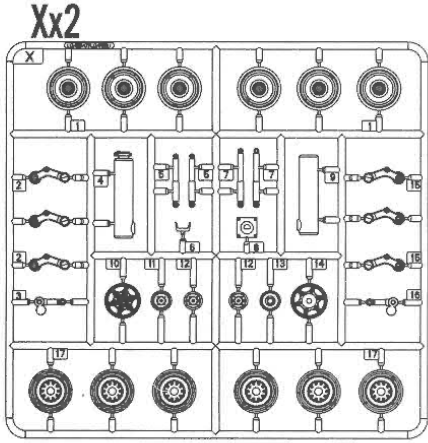
### The method to apply the decals

1. Cut off the decal from the decal paper and put it into the warm water 40°C for 10 seconds.
2. Take the decal from the water and put it on a piece of clean cloth.
3. Remove the decal slowly from the paper to the targeted location by a wet finger.
4. Use a piece of dry and soft cloth to press it gently on the decal until it getting dry and no bubble existing.

### 水贴纸的使用方法:

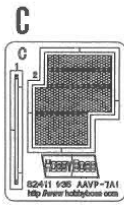
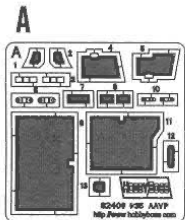
- 一. 把相关的印花从水贴纸上剪下, 放入40°C左右的温水中浸10秒。
- 二. 然后将印花放在干净的布上。
- 三. 拿上印花纸板, 手指蘸水将印花移到适当的位置。
- 四. 用软干布轻压印花直至水干, 气泡消失。

部品图 Parts



蚀刻片

Photo etched parts(PE)



履带

Track x90

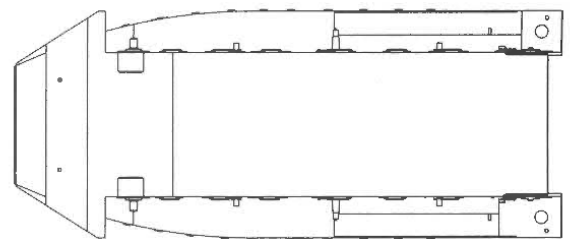


棉绳 Rope

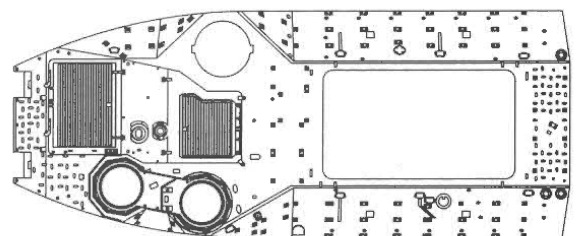
Ø0.8x50mm



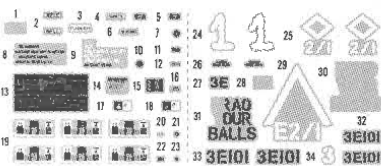
车底  
Lower hull



车面  
Upper hull



水贴纸  
Decal

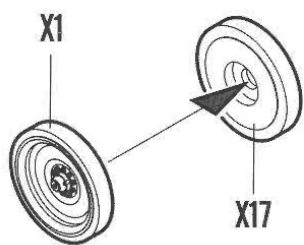


1/35 Scale AAVP-7A1 RAM/RS w/EAAK Hobbyboss NO.82416



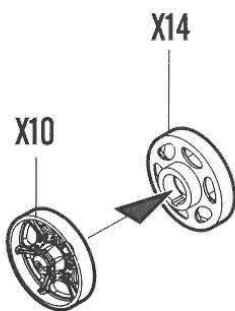
**1**  
STEP

负重轮  
Road wheel



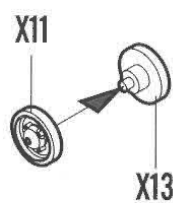
制作12组  
Make twelve

诱导轮  
Idler wheel



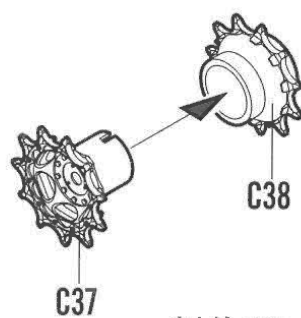
制作2组  
Make two

托带轮  
Support wheel

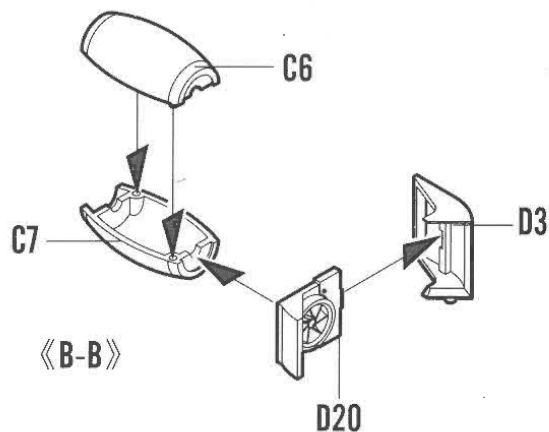
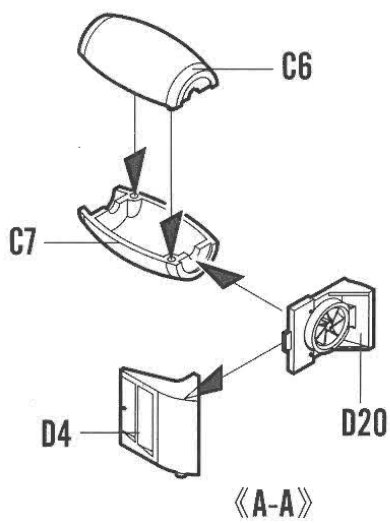


制作2组  
Make two

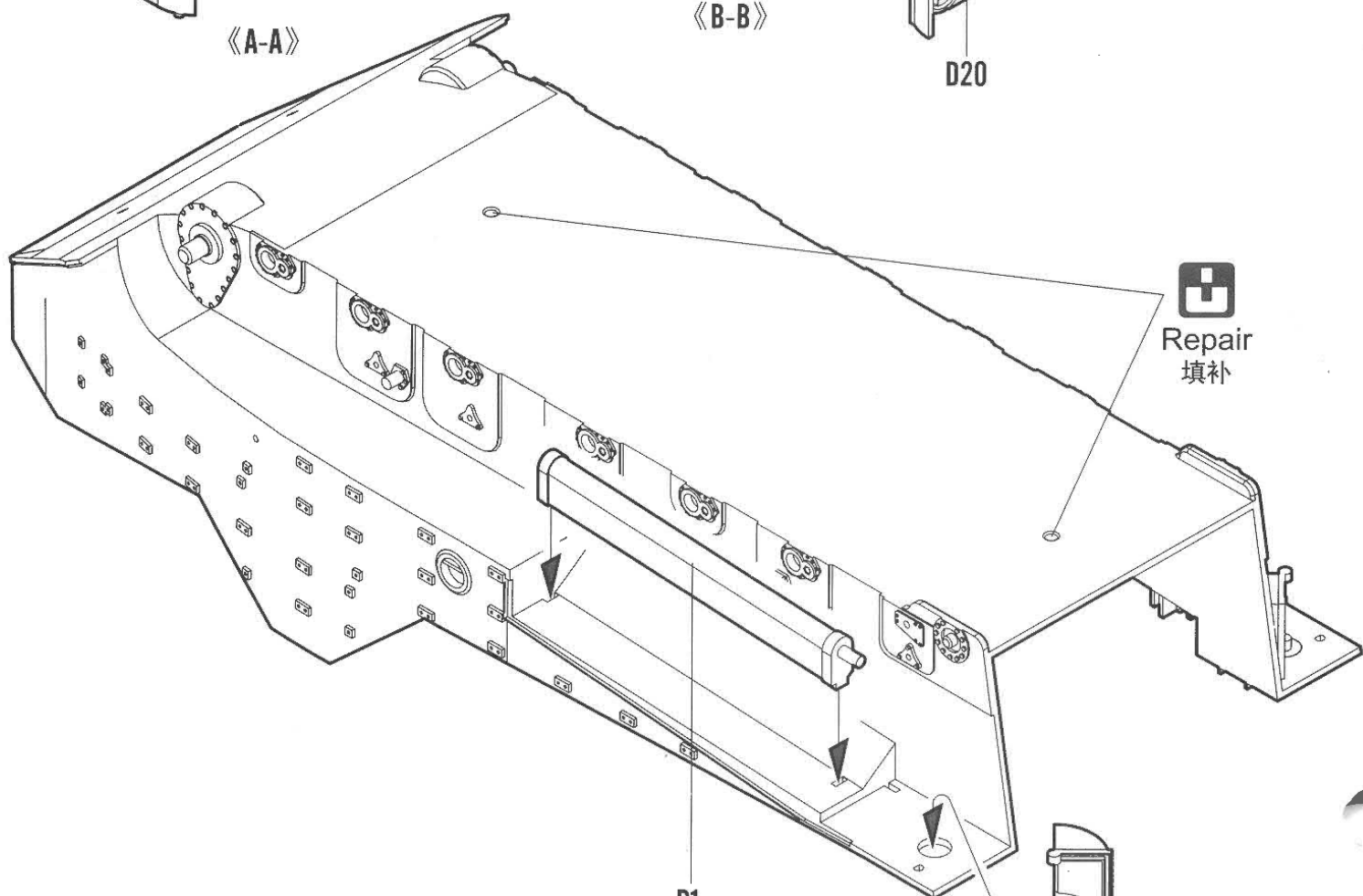
主动轮  
Drive wheel



制作2组  
Make two



**2**  
STEP



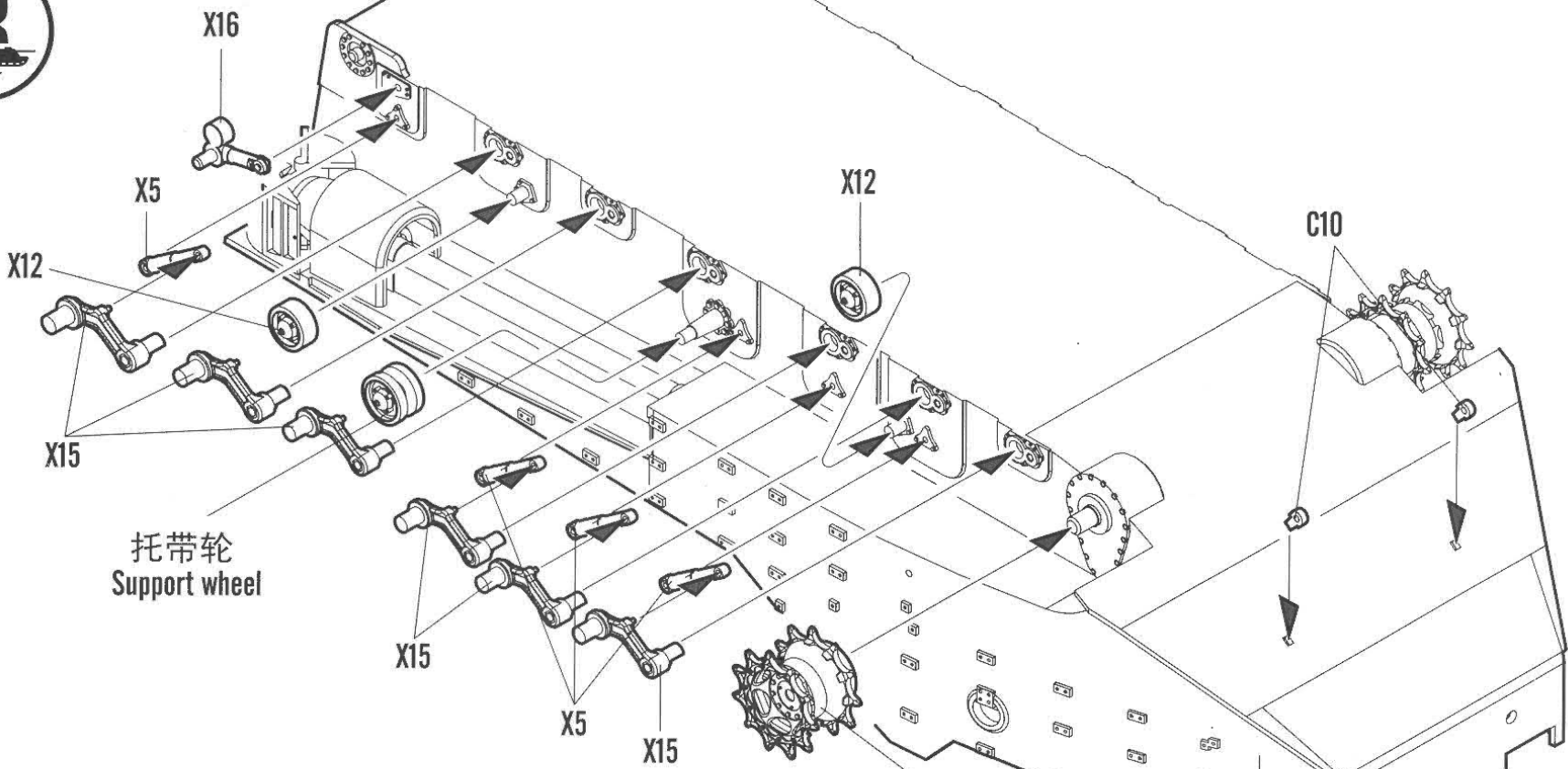
D19  
对侧D18  
Opposite

D1  
对侧D2  
Opposite

No cement  
不涂胶水

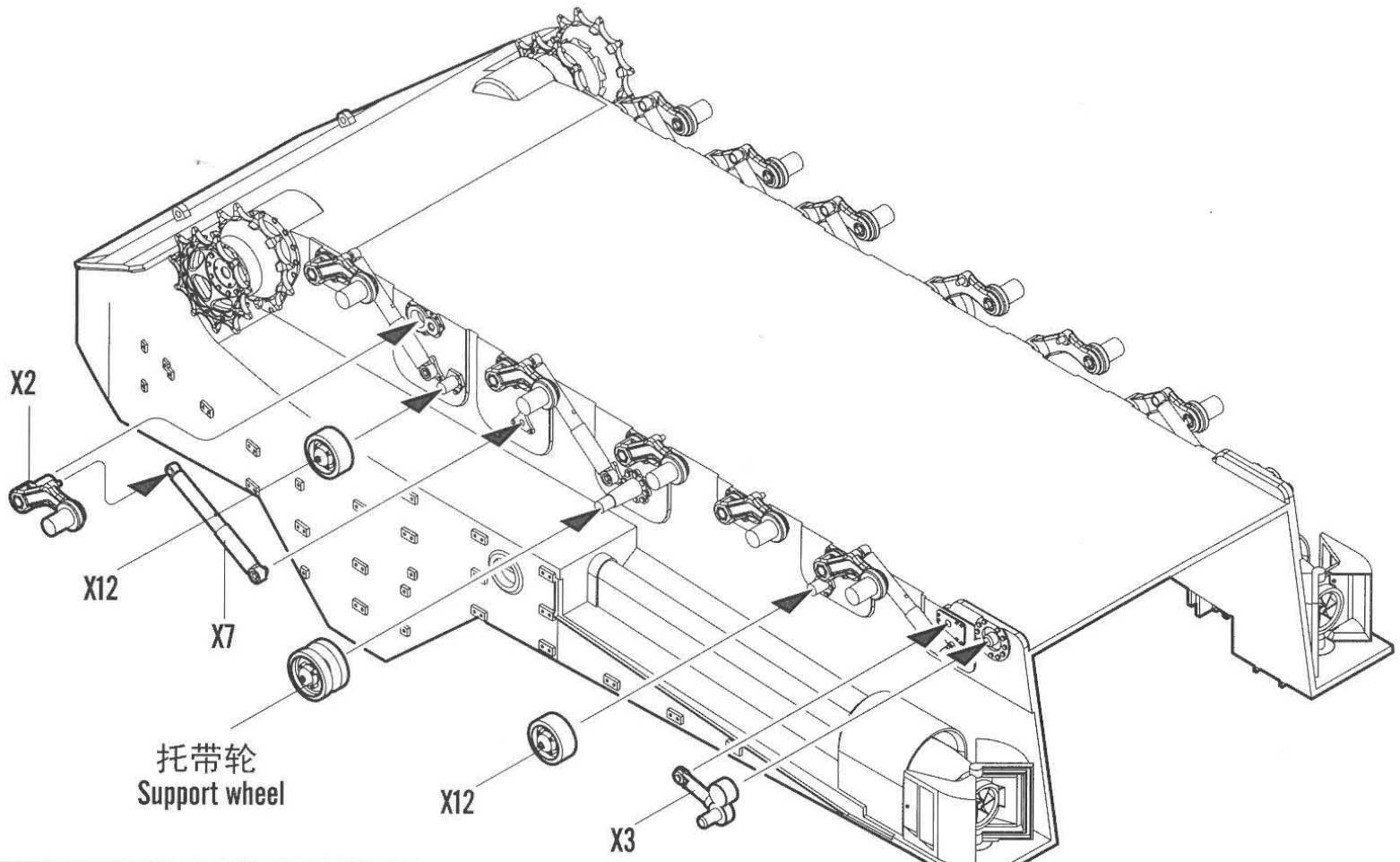
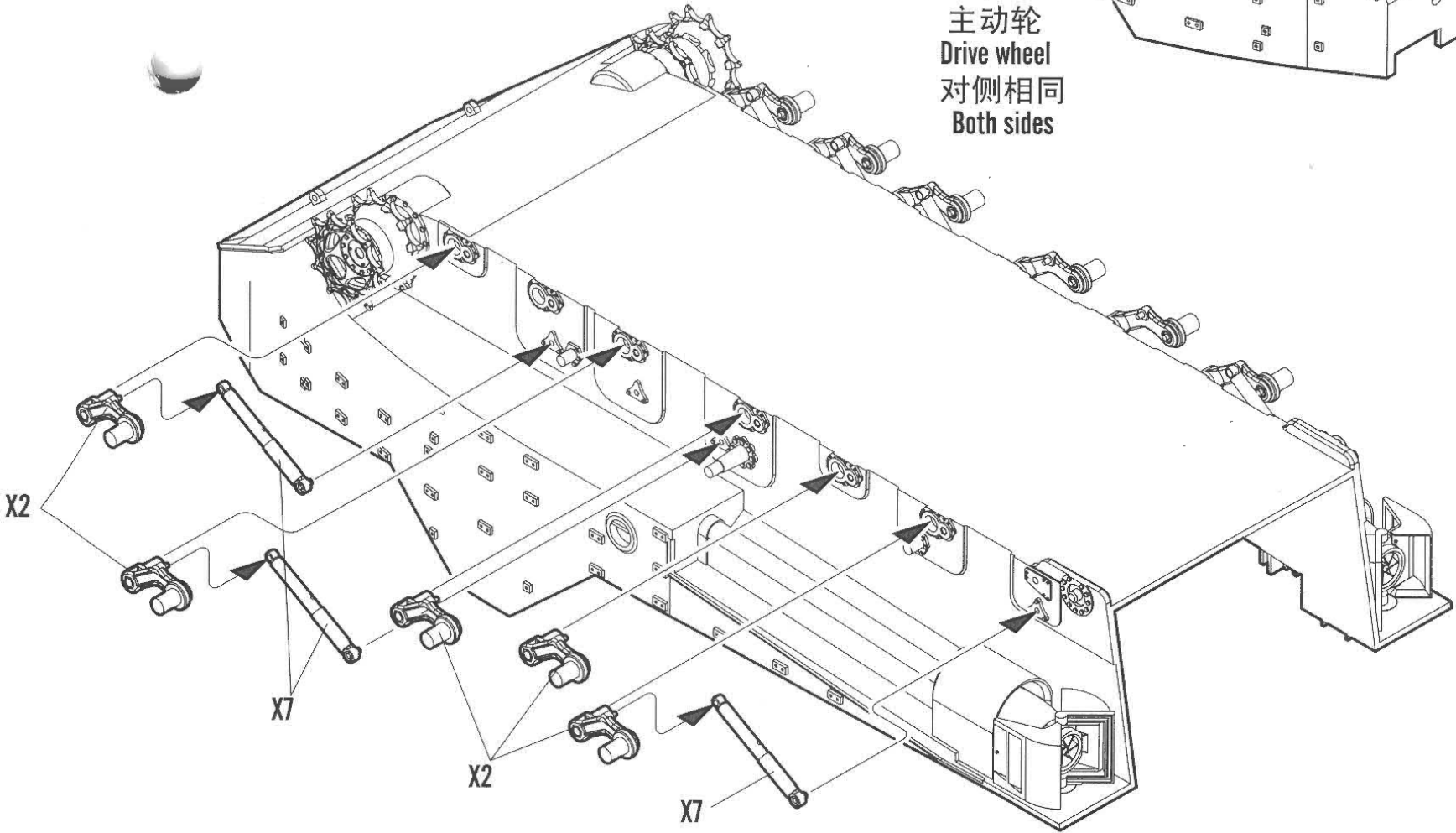
D6  
对侧D5  
Opposite

《A-A》  
对侧《B-B》  
Opposite



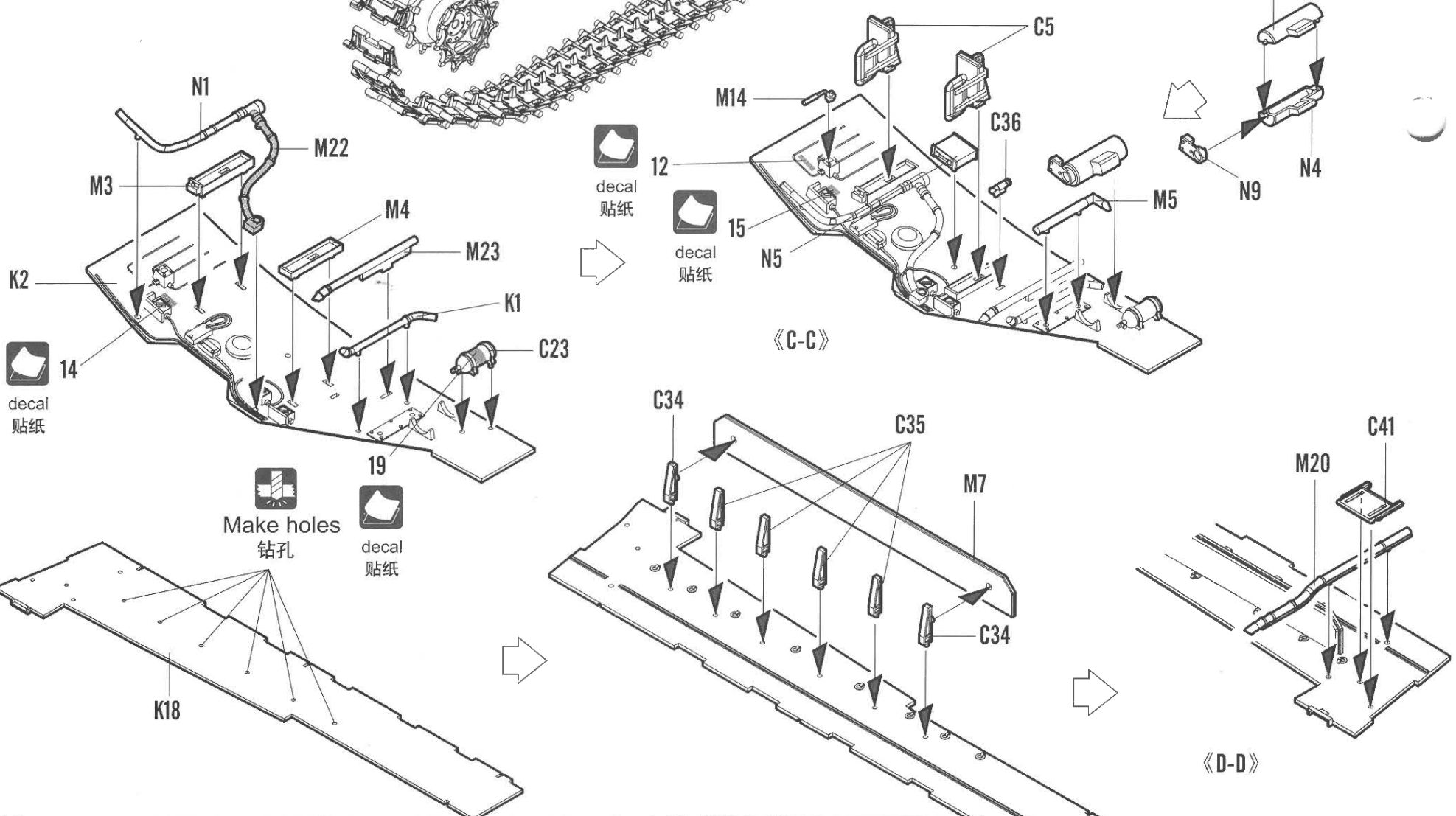
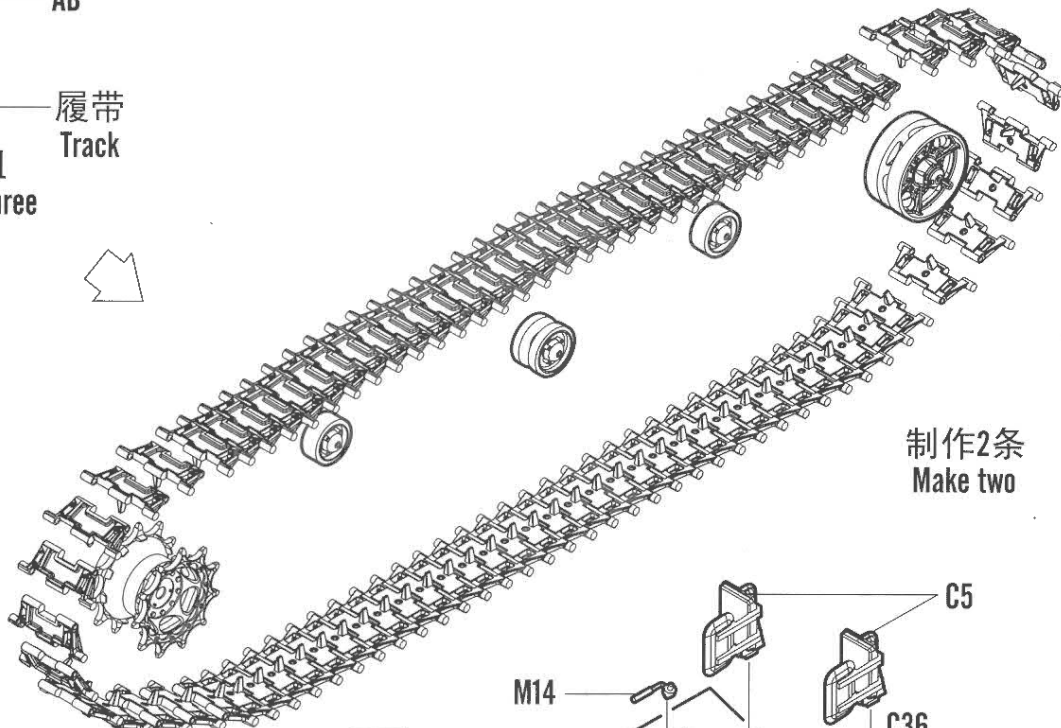
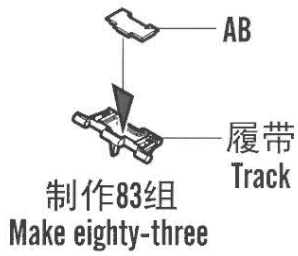
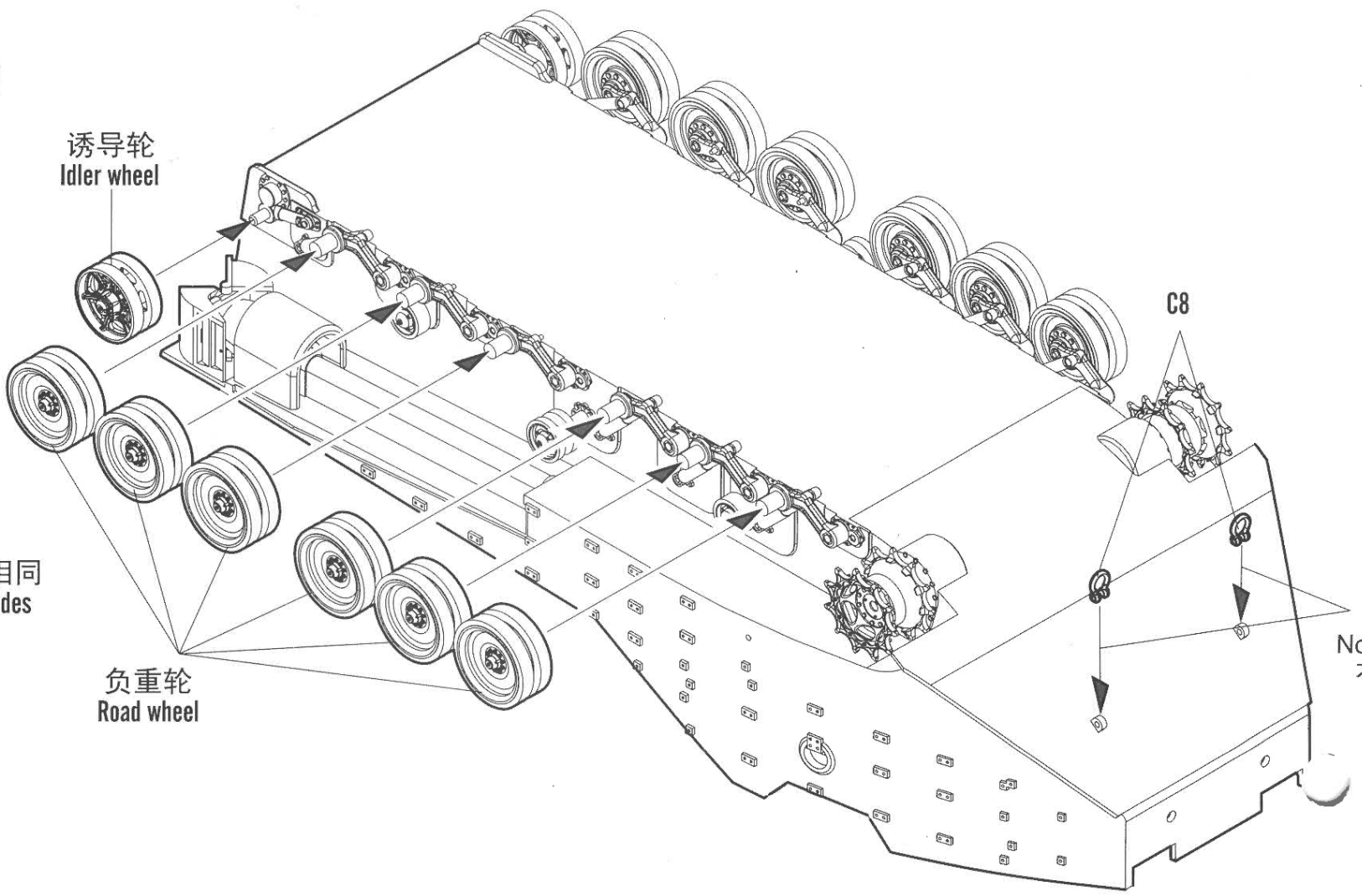
托带轮  
Support wheel

主动轮  
Drive wheel  
对侧相同  
Both sides



托带轮  
Support wheel







《C-C》

N17

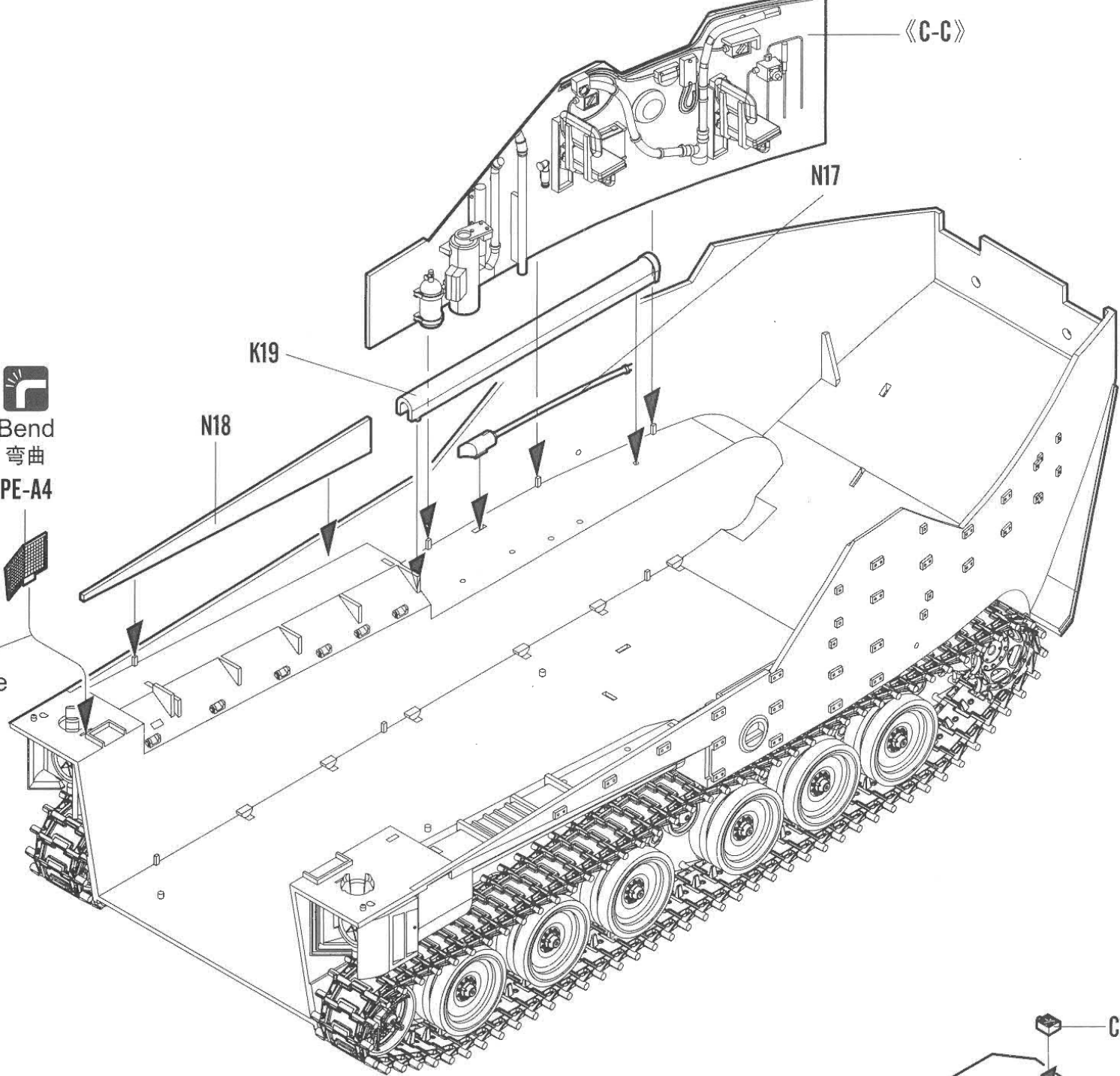
K19

N18

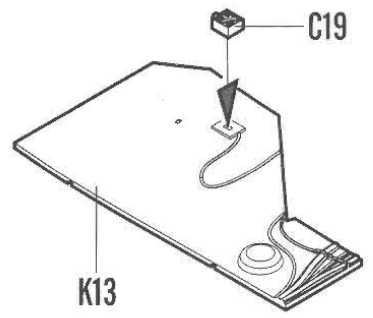
Bend  
弯曲  
PE-A4

ment  
水

Cyanoacrylate glue  
强力胶



C19



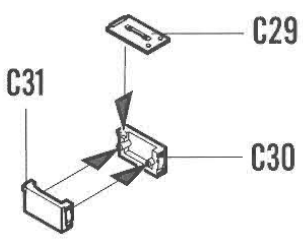
《F-F》

C29

C31

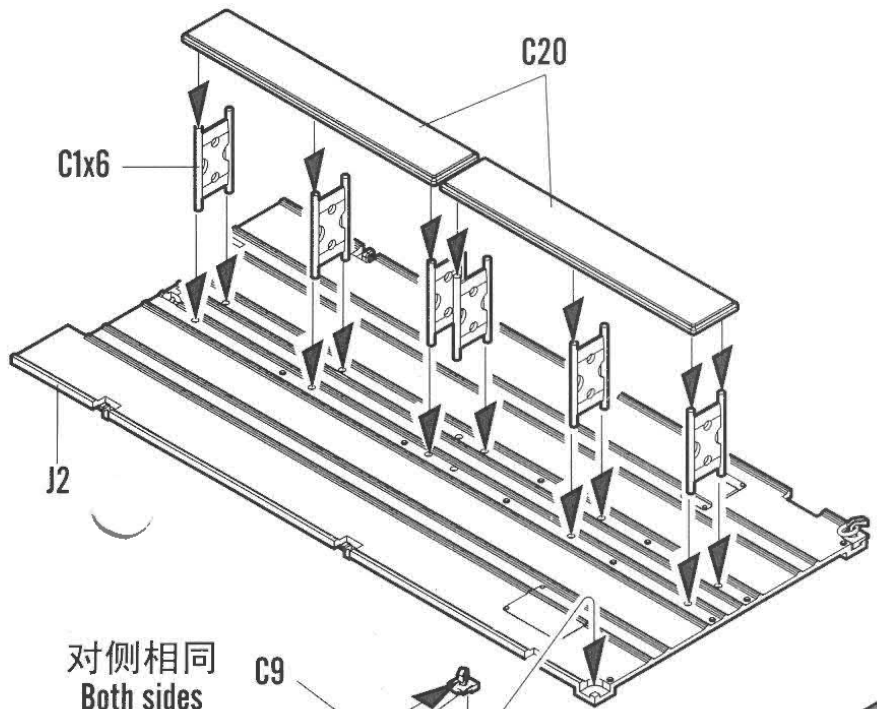
C30

《E-E》  
制作2组  
Make two



C20

C1x6



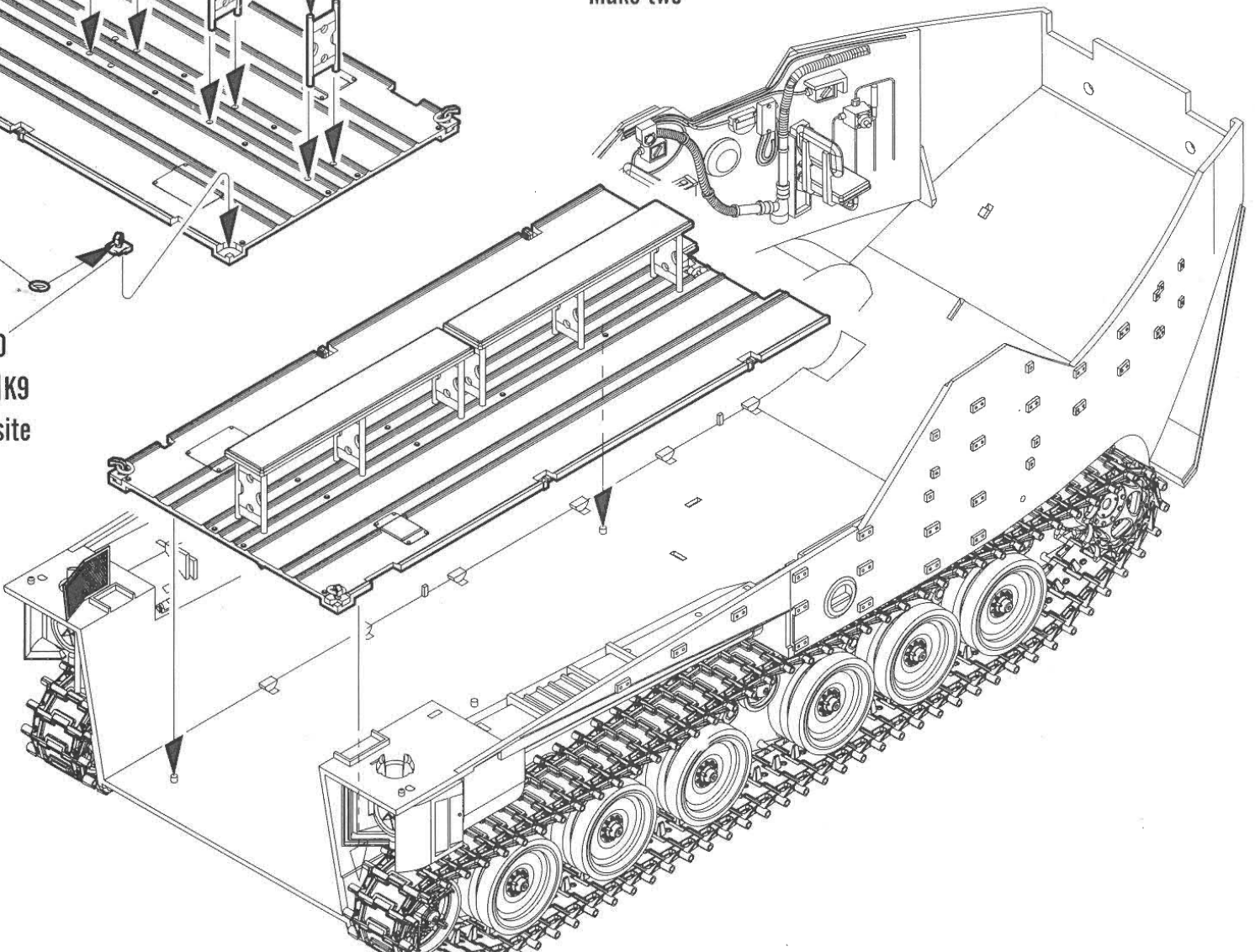
J2

对侧相同  
Both sides

C9

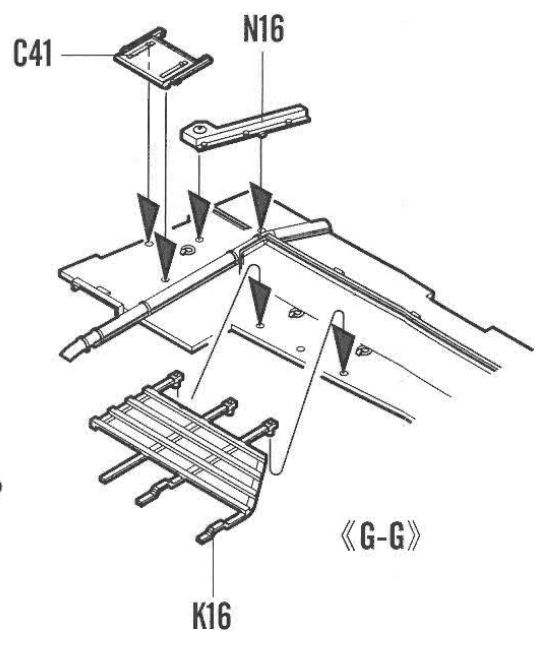
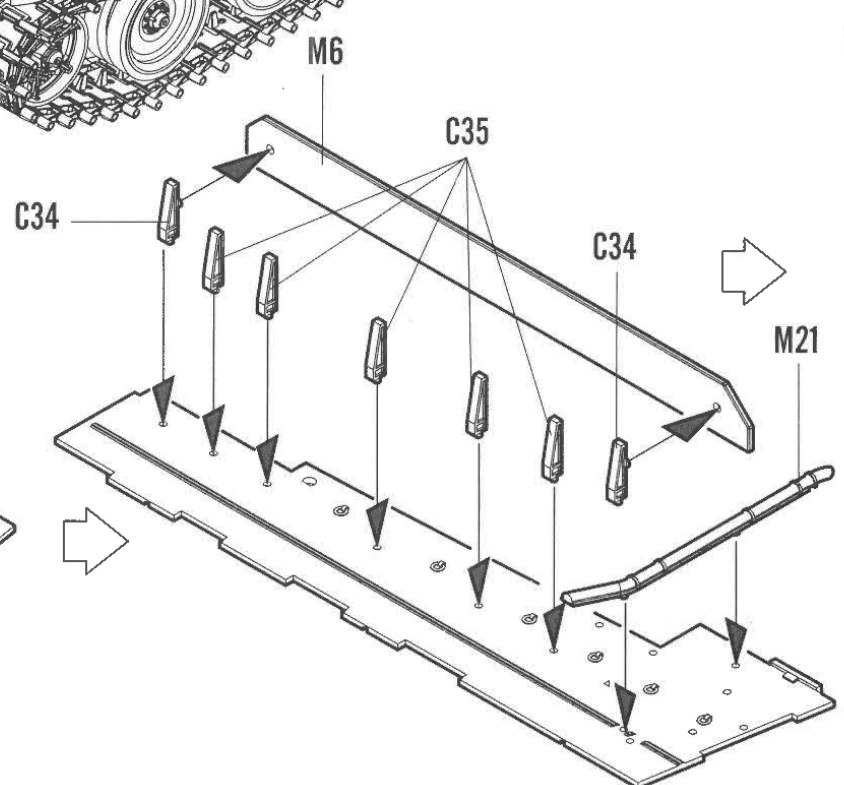
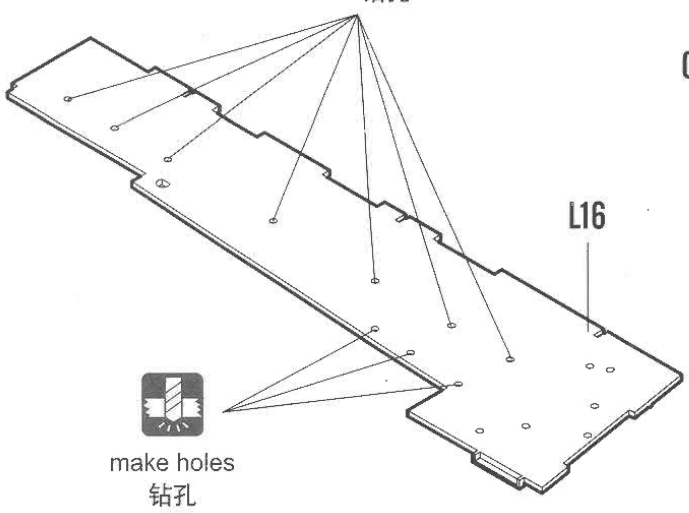
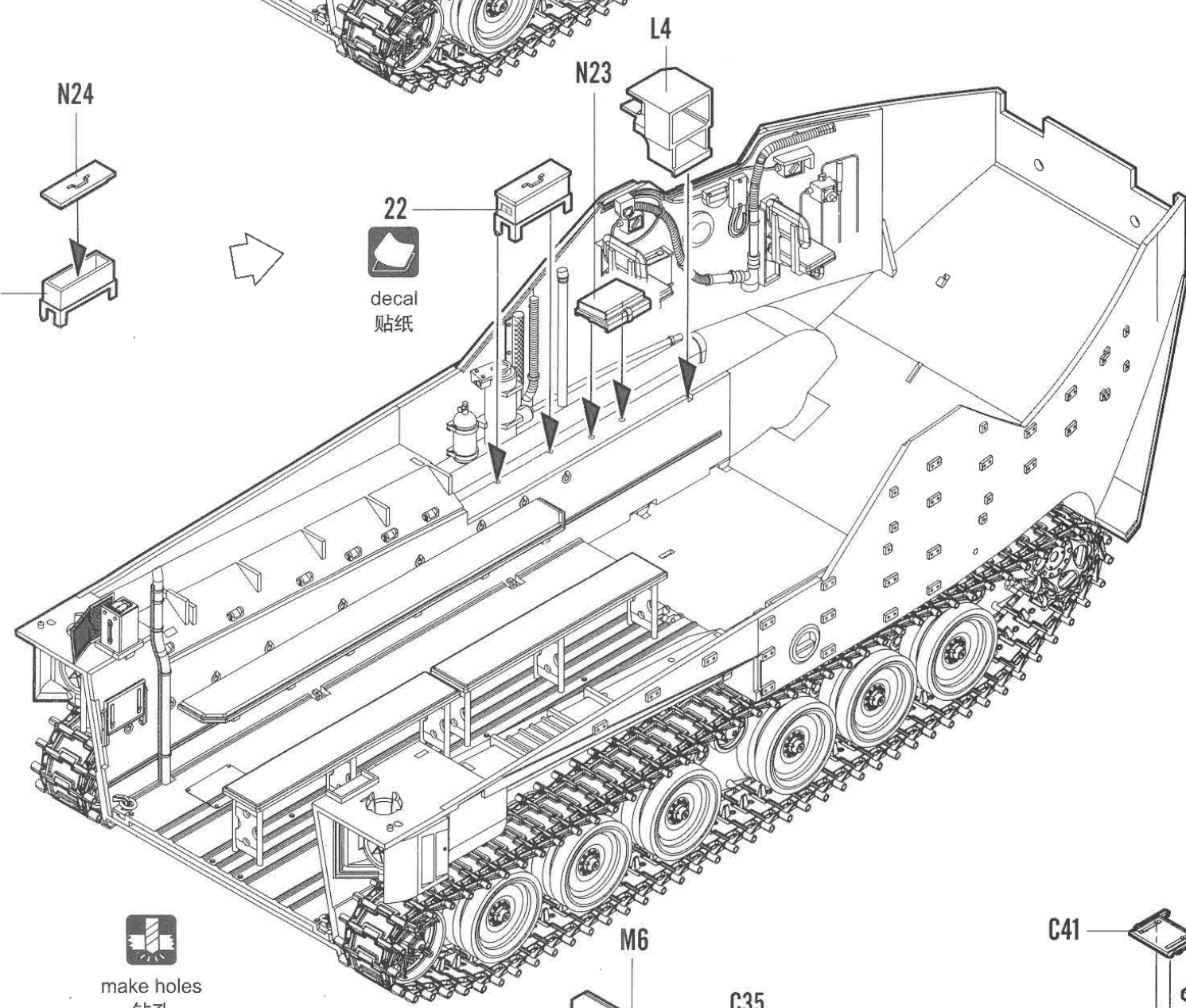
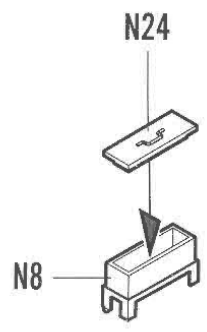
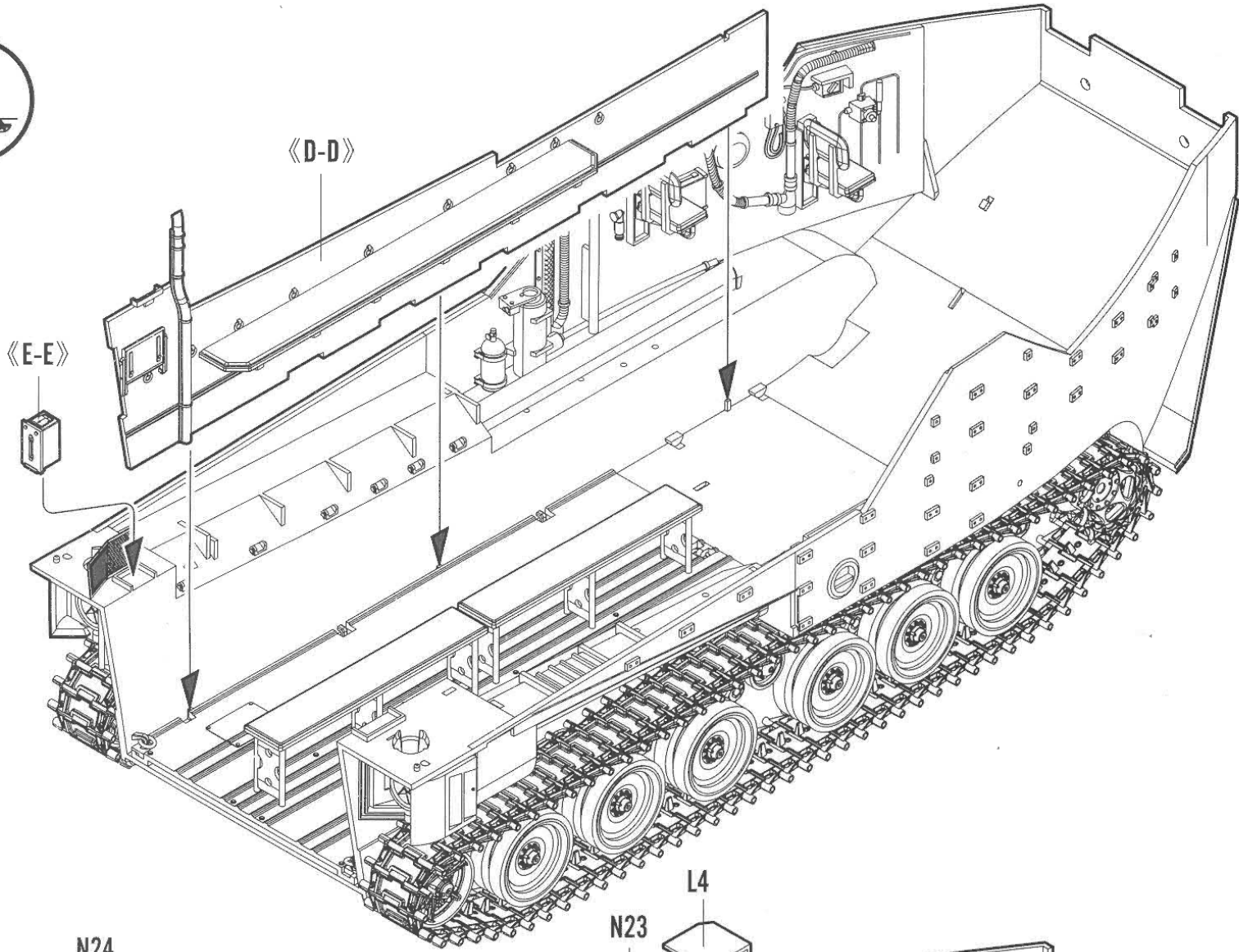
K10

对侧K9  
Opposite





**7**  
STEP



**8**  
STEP

N26



decal  
贴纸

19

C24

N6

C24

19



decal  
贴纸

N21

L17

《G-G》



bend  
弯曲

PE-A5

Using CA super glue  
使用强力胶



Using CA super glue  
使用强力胶

L12

L13

PE-A10



bend  
弯曲

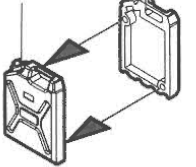
PE-A10



bend  
弯曲

C39

C40



制作3组  
Make three

《F-F》

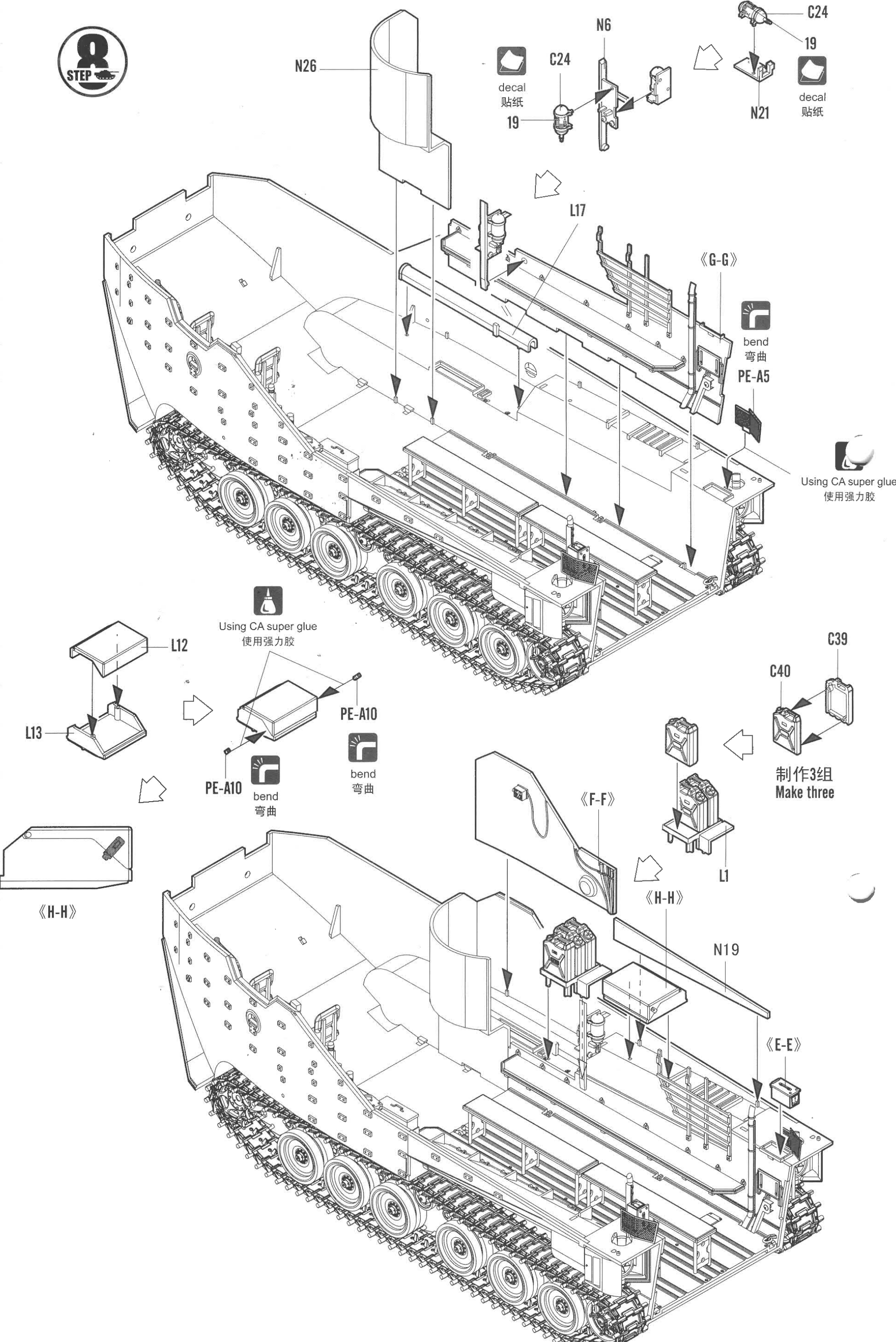
L1

《H-H》

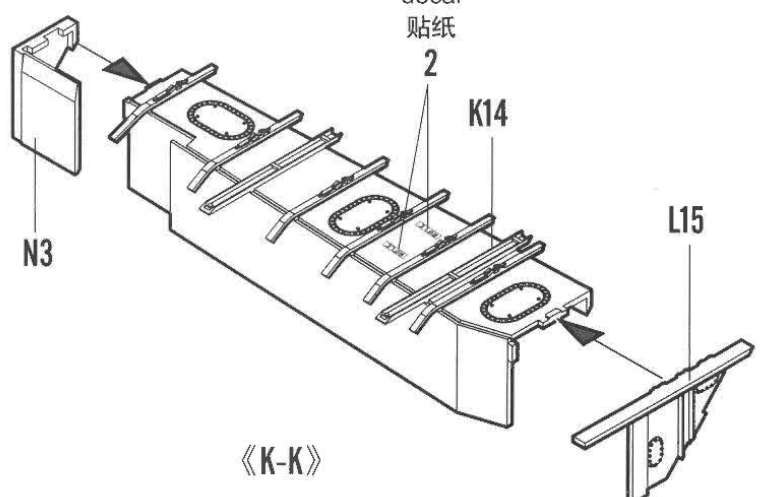
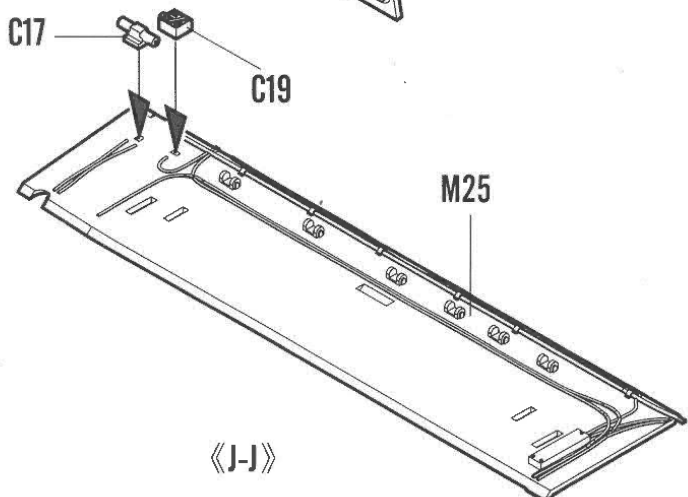
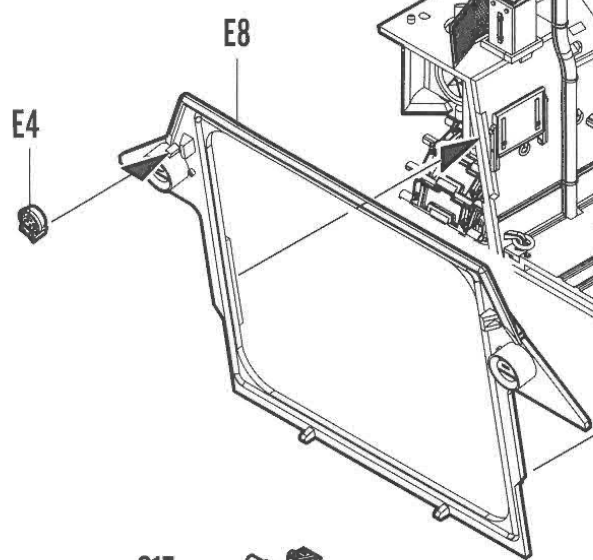
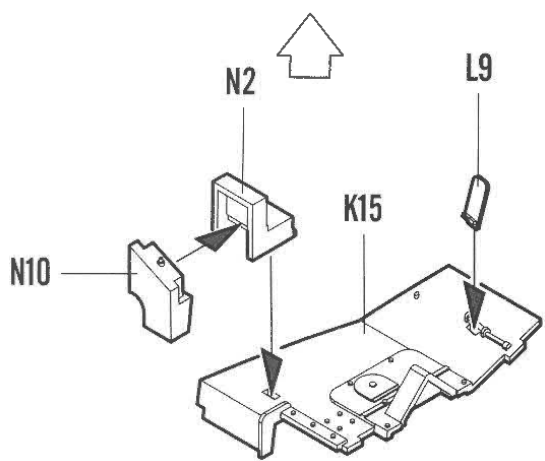
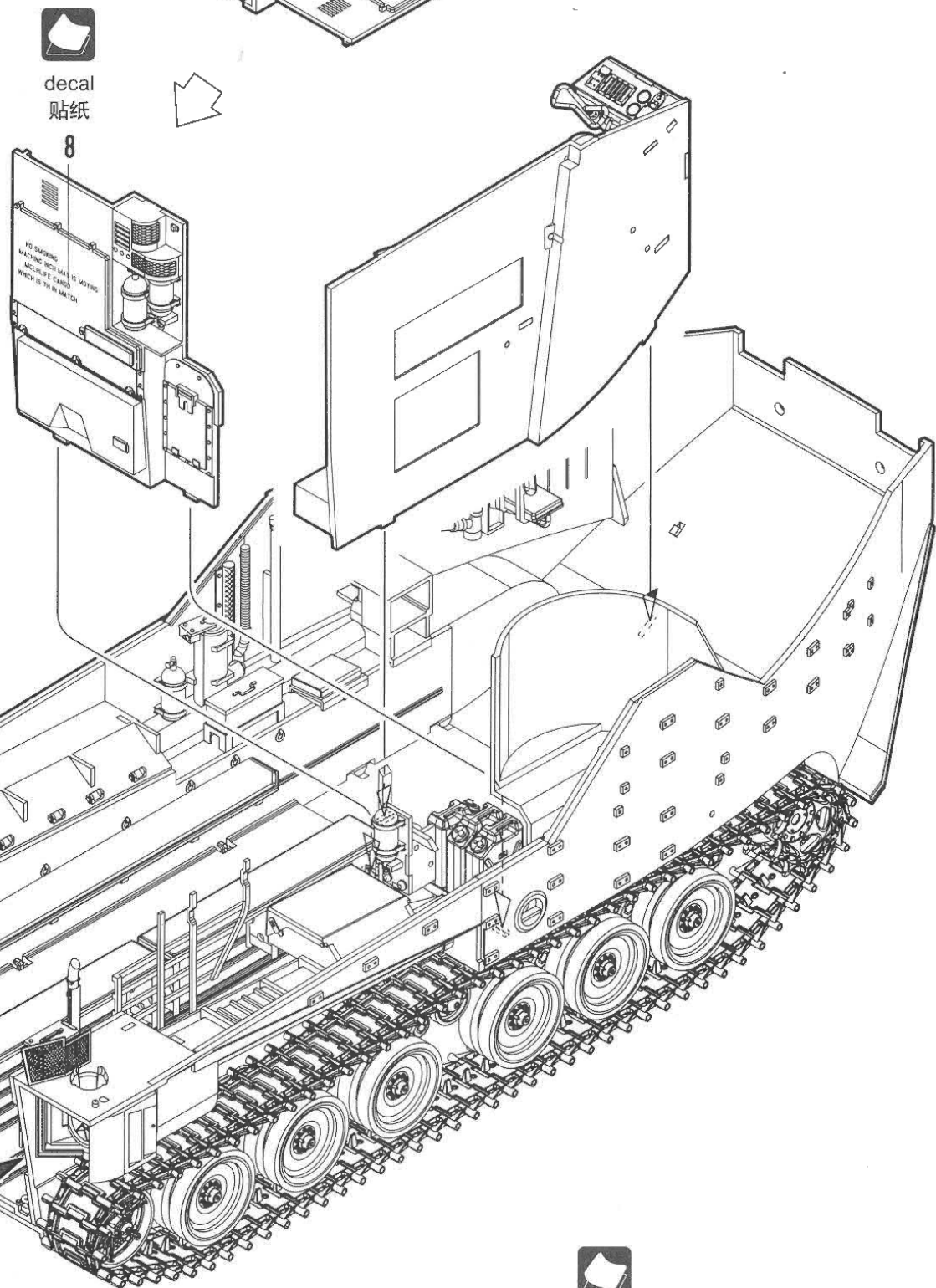
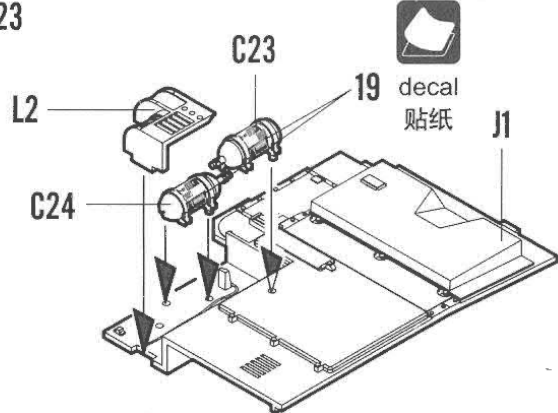
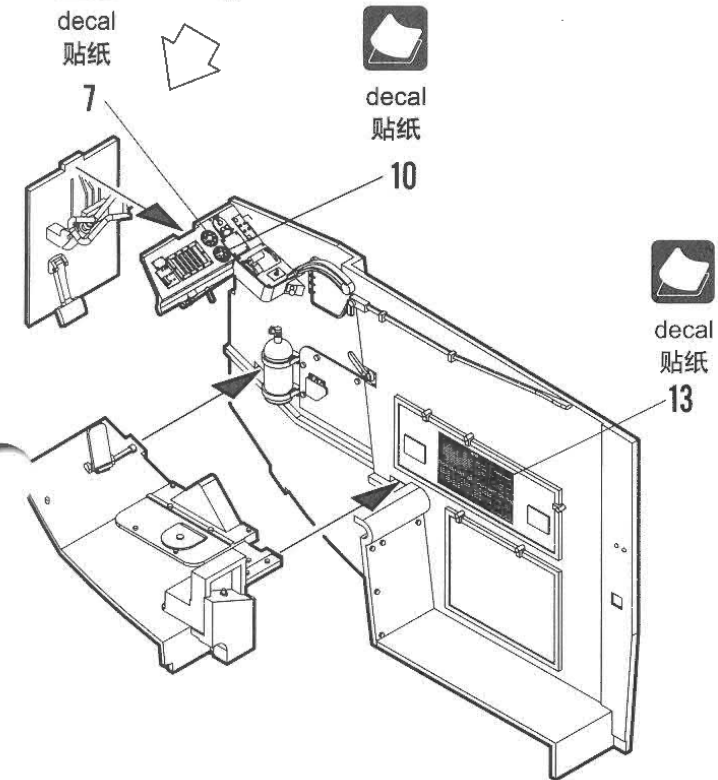
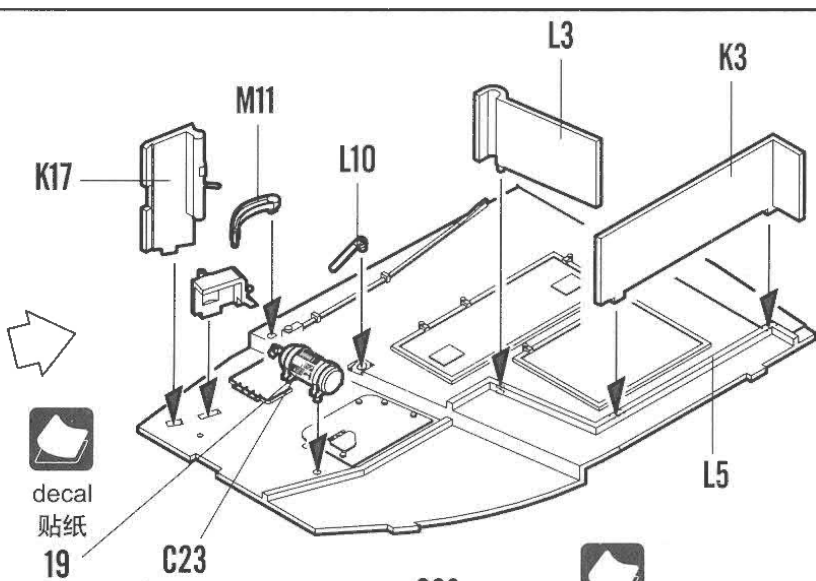
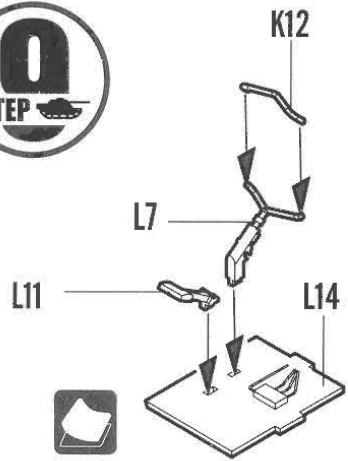
N19

《E-E》

《H-H》



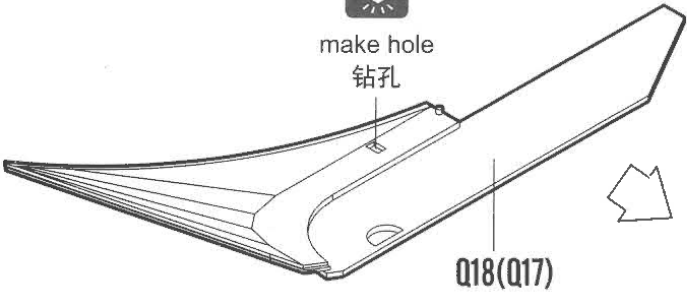




**10**  
STEP



make hole  
钻孔

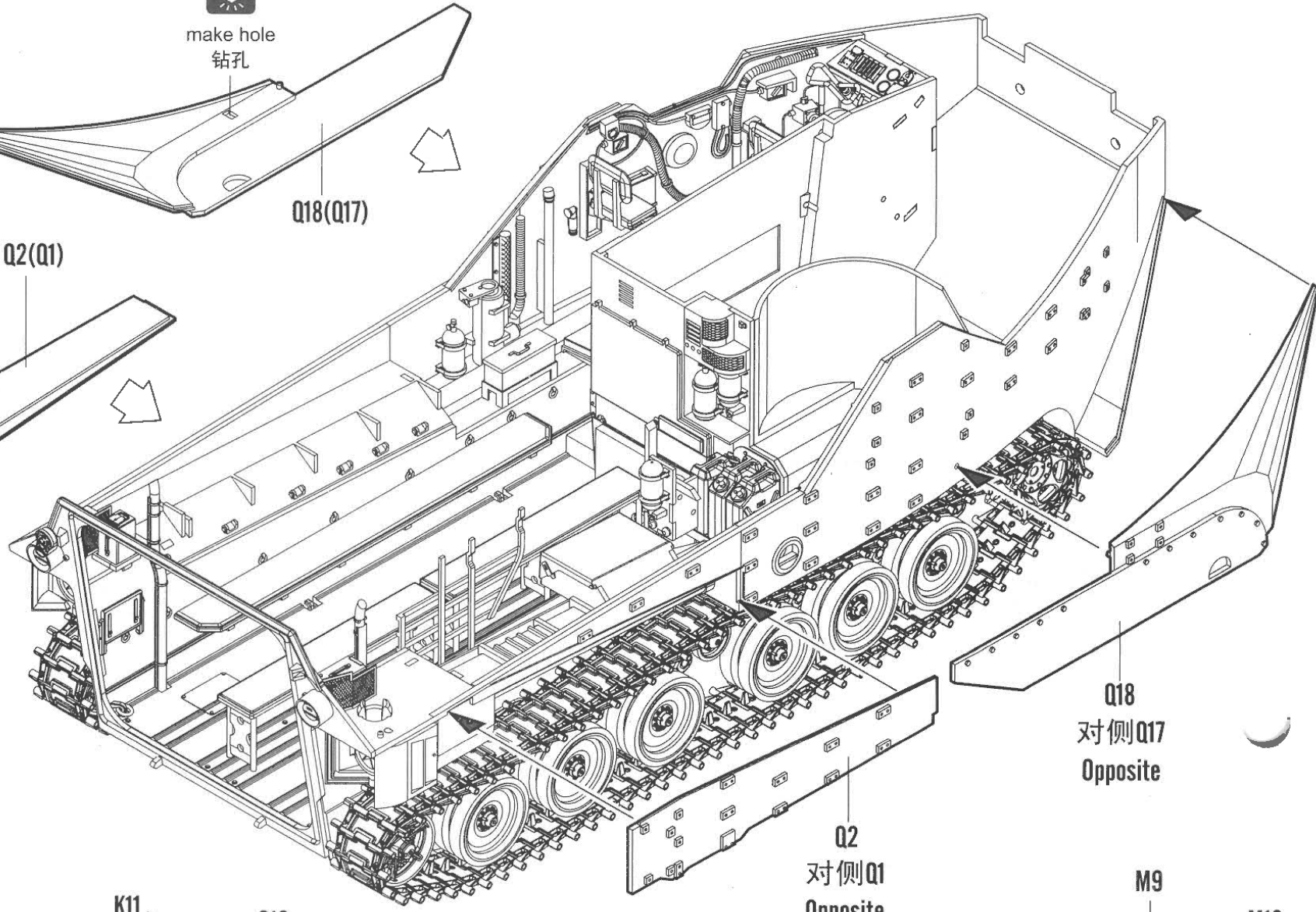
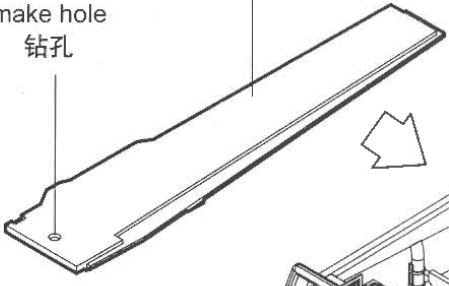


Q18(Q17)



make hole  
钻孔

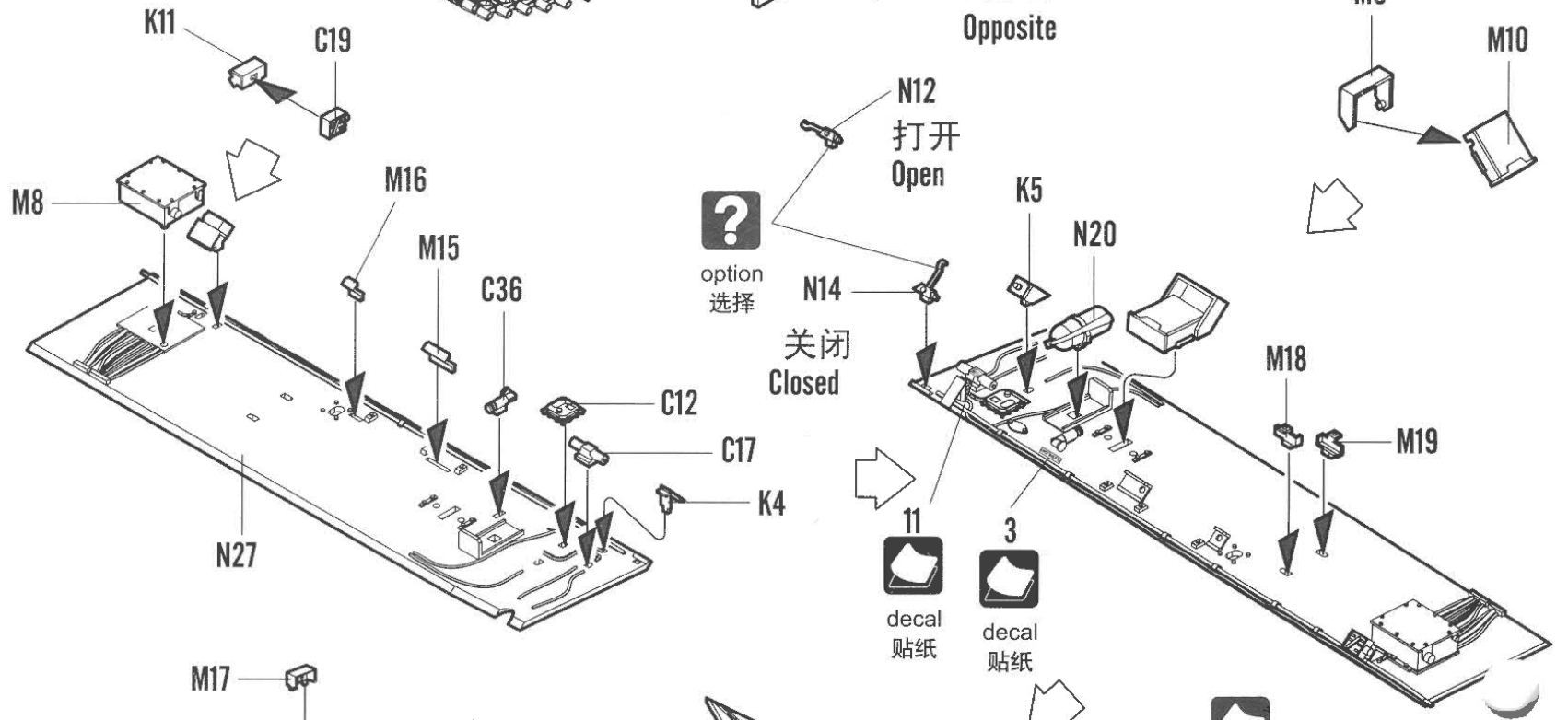
Q2(Q1)



Q18  
对侧Q17  
Opposite

Q2  
对侧Q1  
Opposite

**11**  
STEP



option  
选择

N12  
打开  
Open

N14  
关闭  
Closed



11  
decal  
贴纸



3  
decal  
贴纸



21  
decal  
贴纸



23  
decal  
贴纸



17  
decal  
贴纸



18  
decal  
贴纸



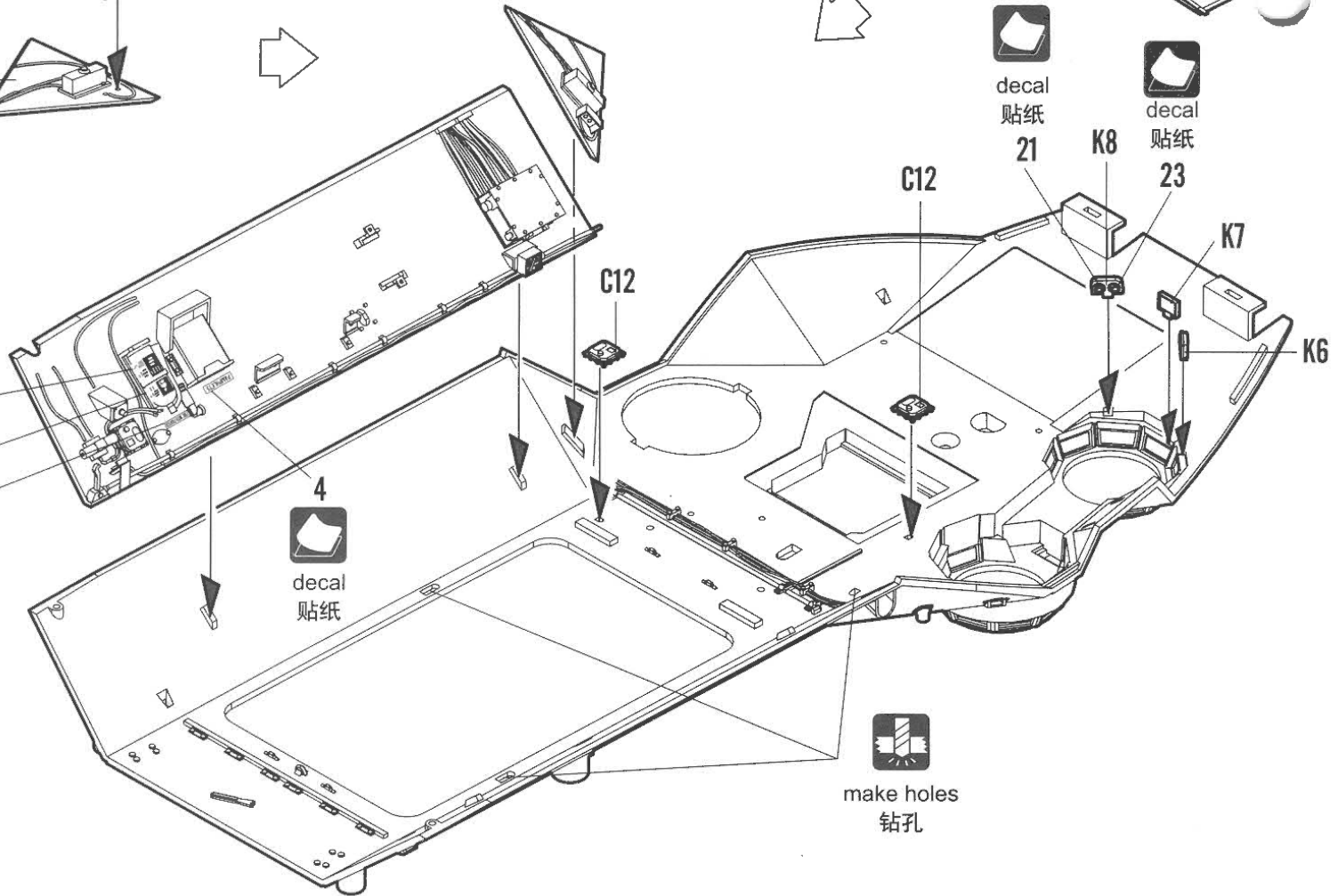
6  
decal  
贴纸



4  
decal  
贴纸



make holes  
钻孔



C12

K8

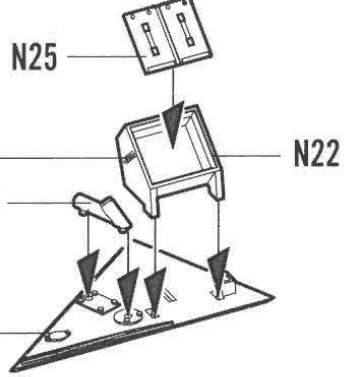
K7

K6

C12



Decal  
贴纸  
16

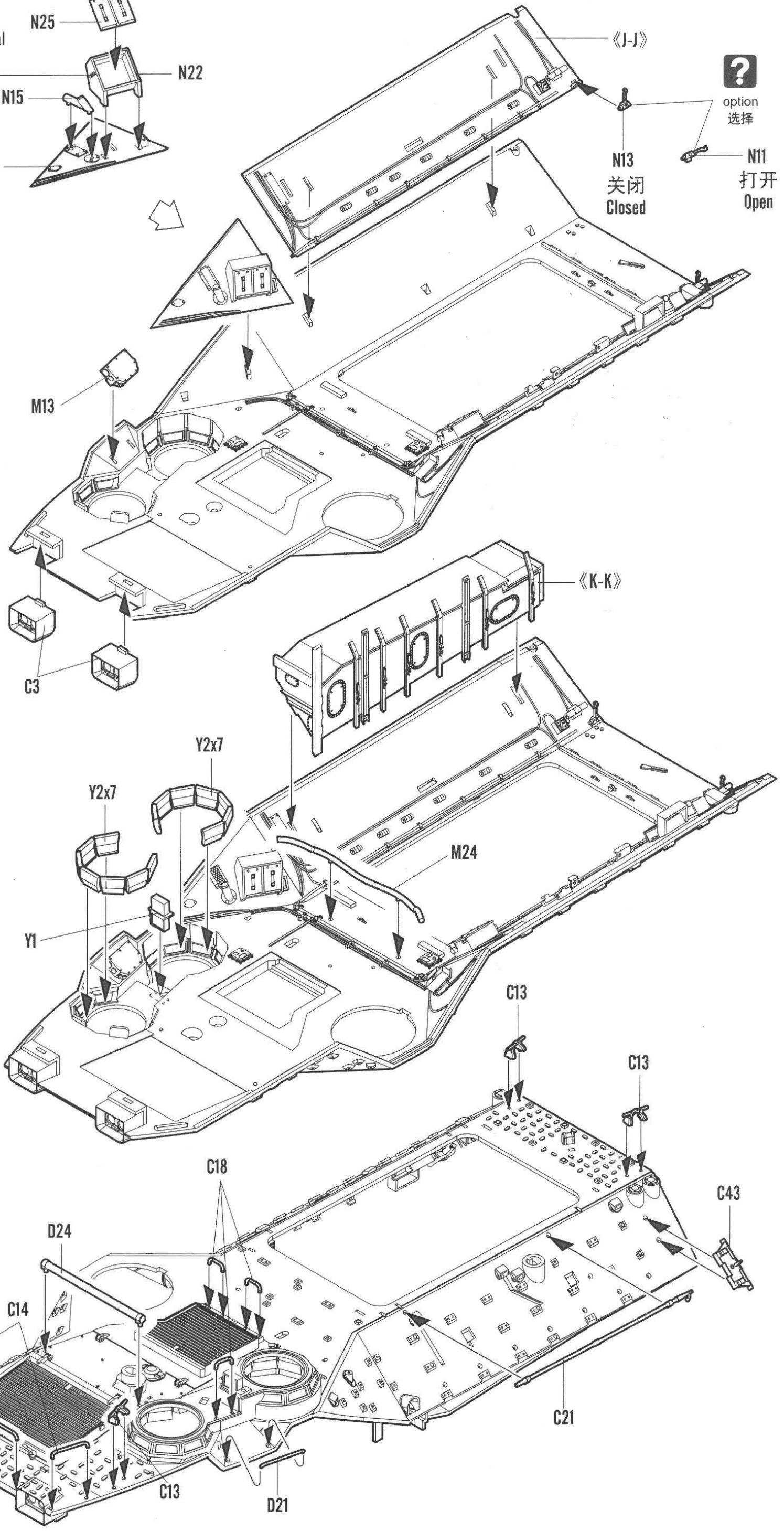


?

option  
选择

N13  
关闭  
Closed

N11  
打开  
Open



**13**  
STEP

PE-A8 bend 弯曲

Using CA super glue 使用强力胶

PE-A7 bend 弯曲

C42 C22 C42

C18

C16

C22

C16

《L-L》

Q8

Q9

Q12

Q5

D13

R1

C42

R19

R15

《L-L》  
制作2组  
Make two

R4

Using CA super glue 使用强力胶

PE-A11

R10

Using CA super glue 使用强力胶

PE-A9

C32

R6

C32

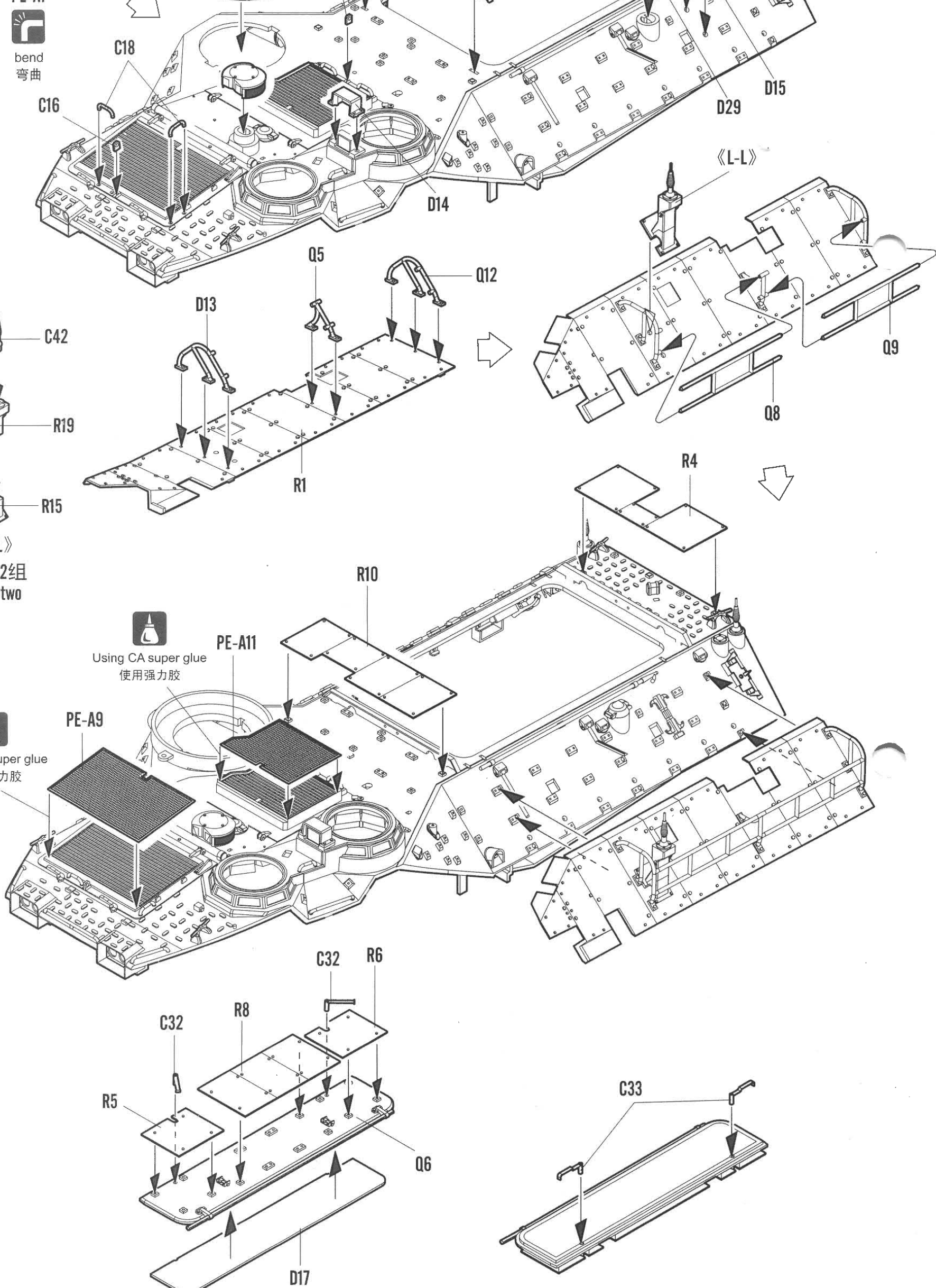
R8

R5

Q6

C33

D17





**1/1**  
**STEP**



Using CA super glue  
使用强力胶



no cement  
不涂胶水



no cement  
不涂胶水

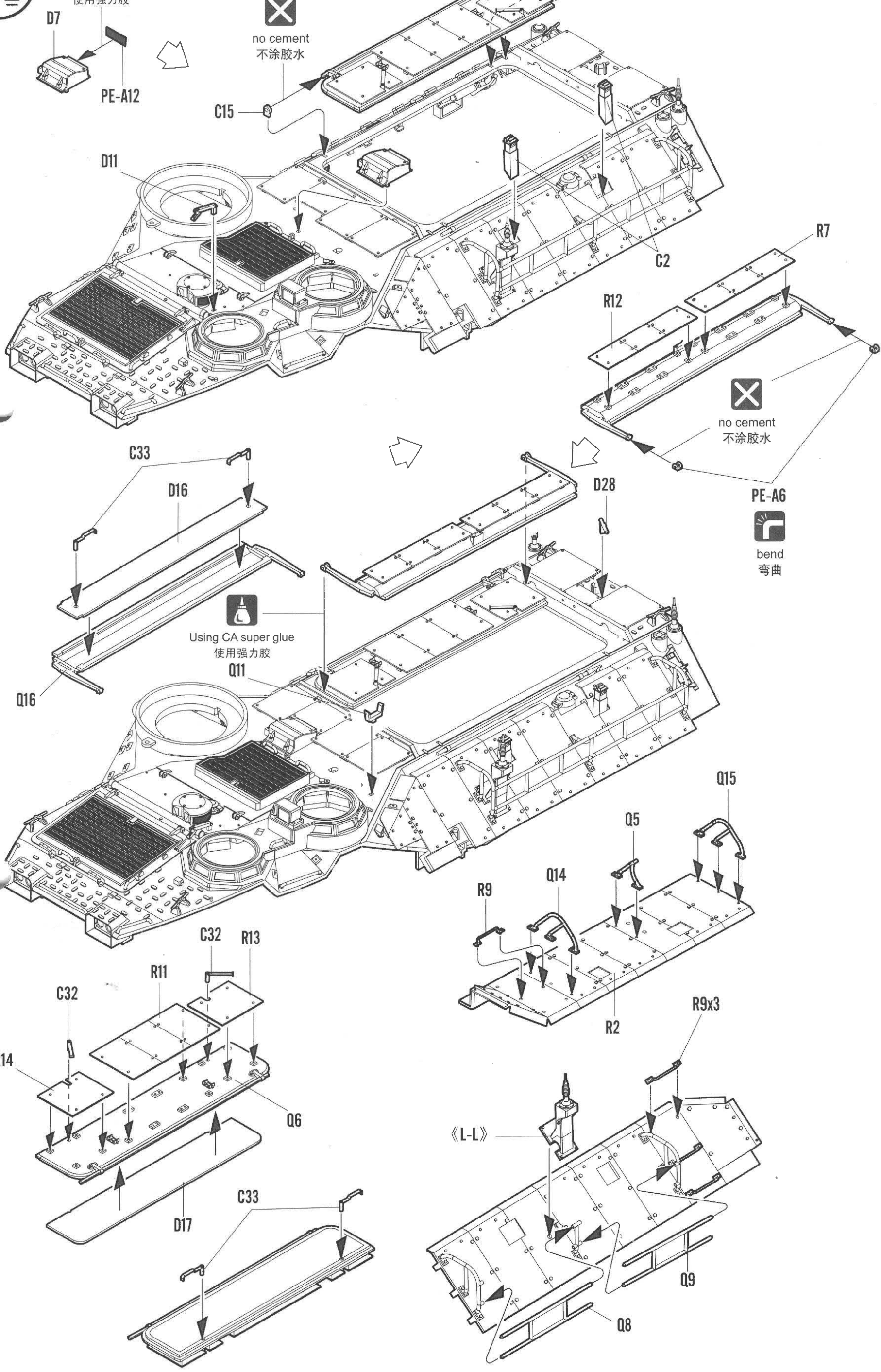


no cement  
不涂胶水

PE-A6



bend  
弯曲



**15**  
STEP



no cement  
不涂胶水



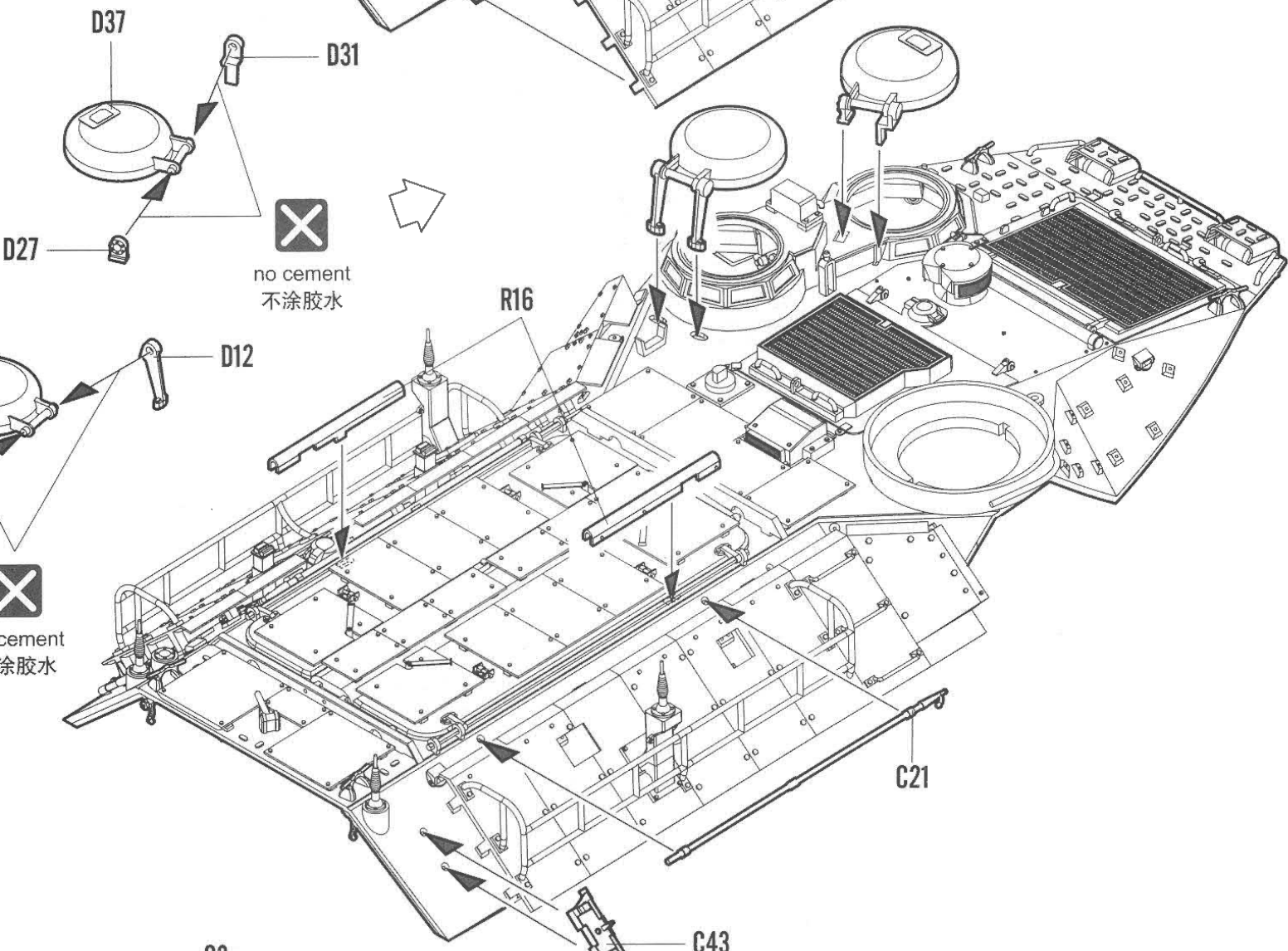
no cement  
不涂胶水

C15

C15

Q10

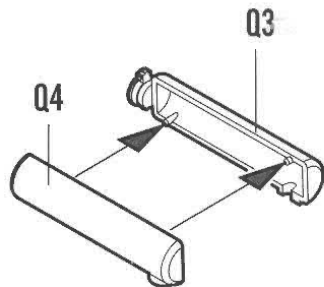
D33



no cement  
不涂胶水



no cement  
不涂胶水

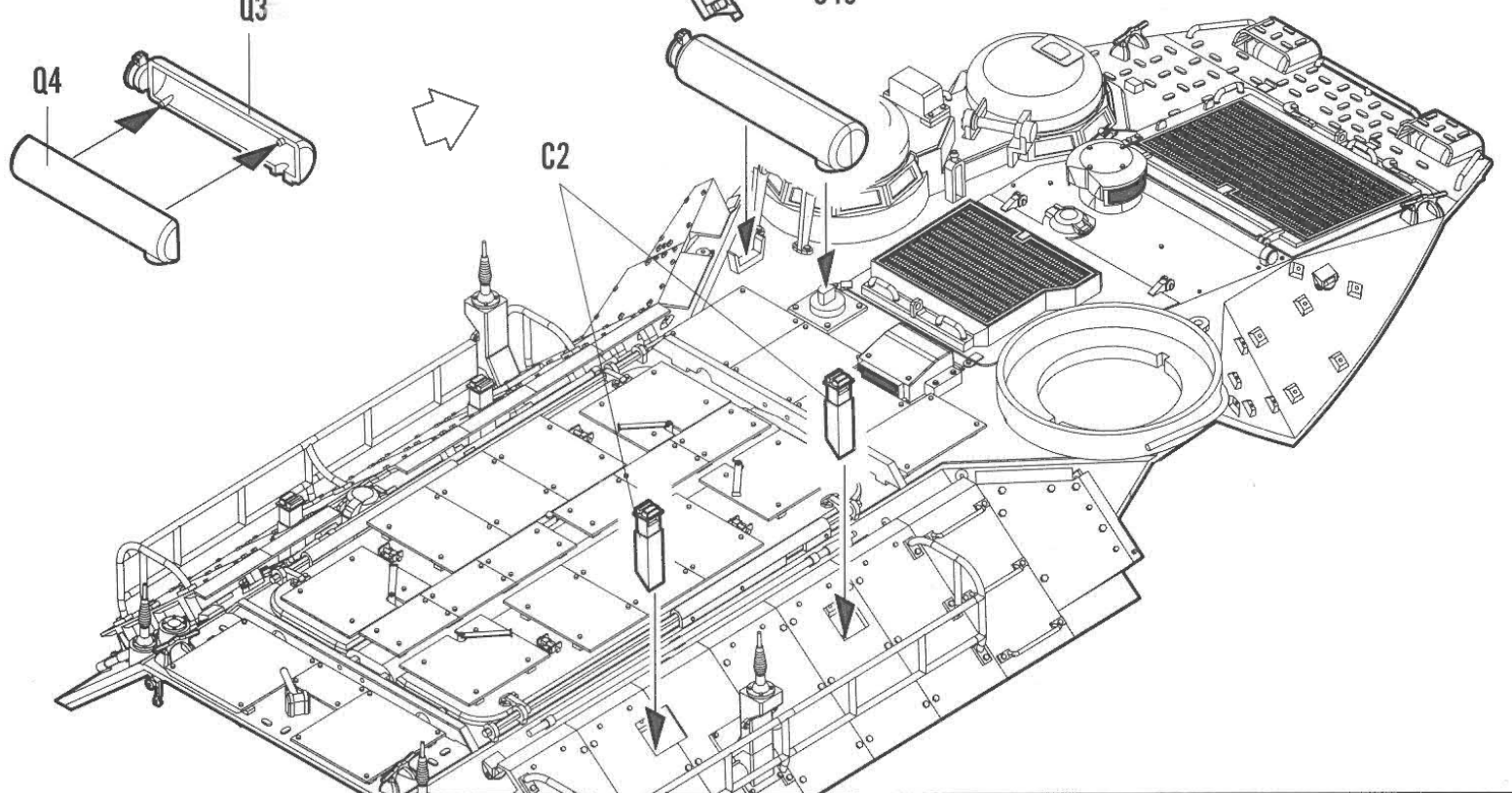


Q3

Q4

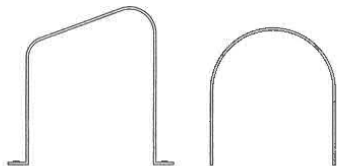
C2

C43





**16**  
STEP



PE-C1

PE-C2

PE-C1

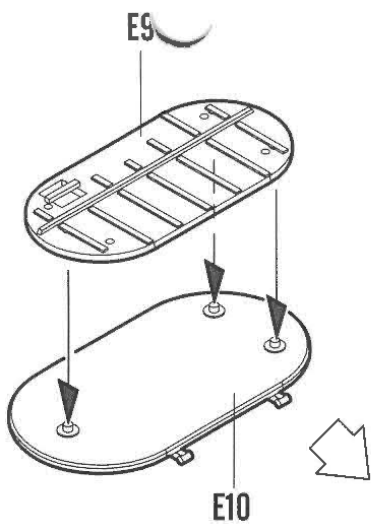
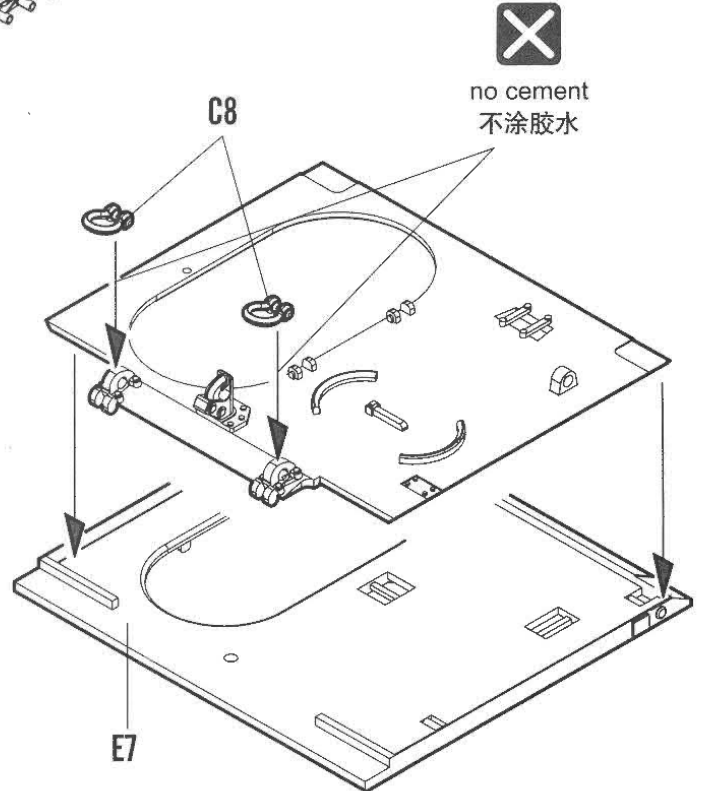
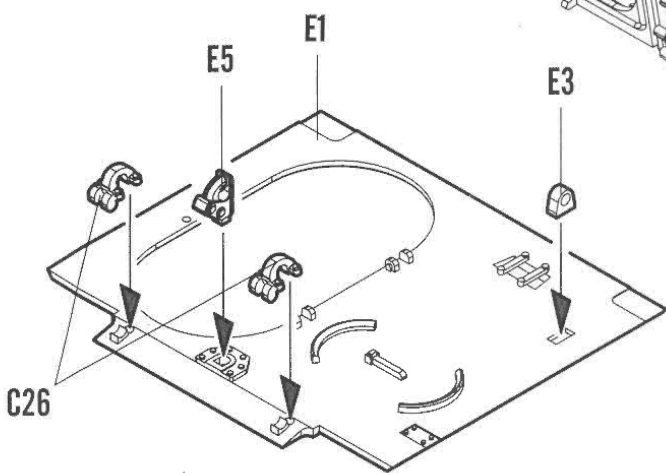
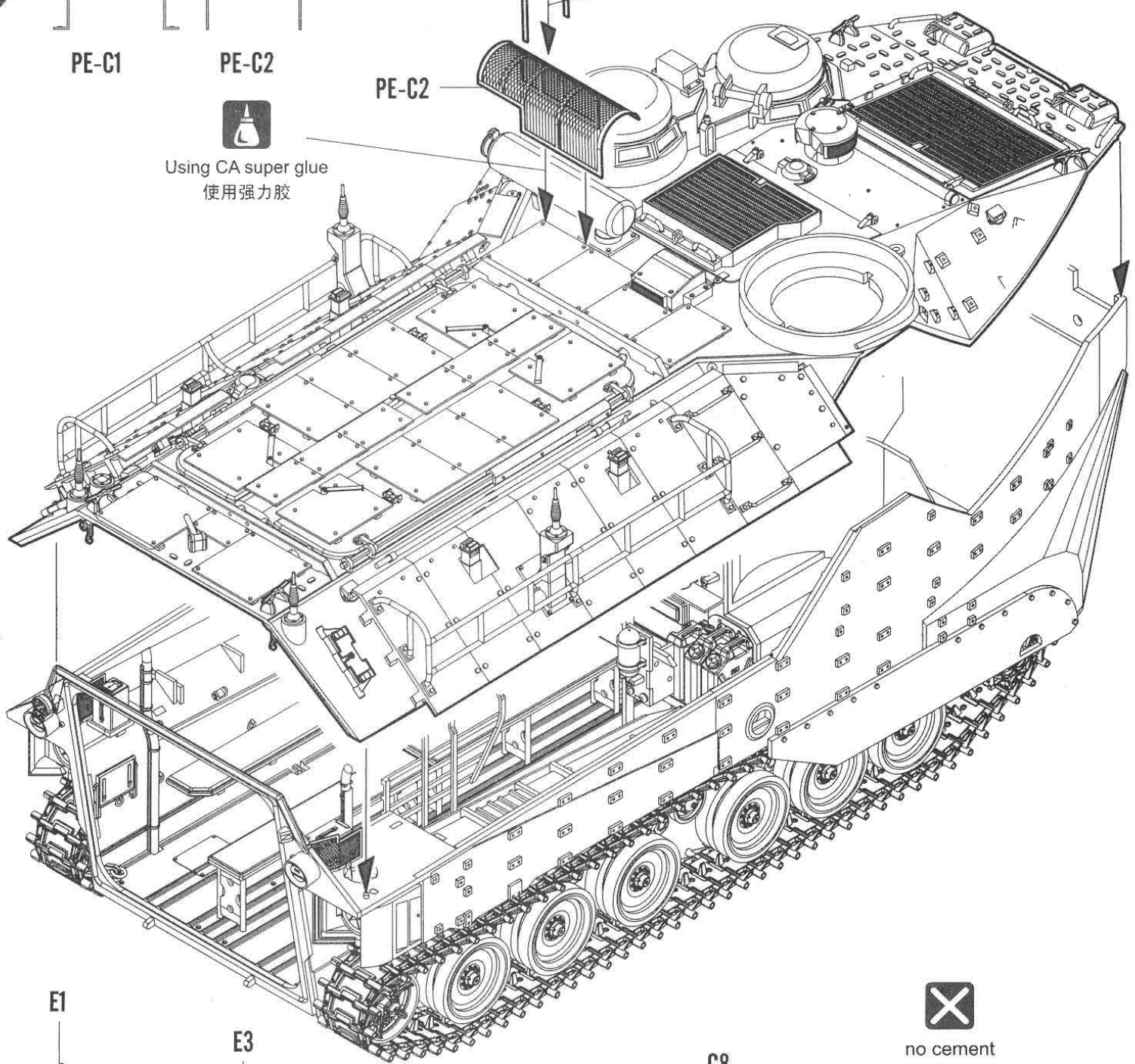


Using CA super glue  
使用强力胶

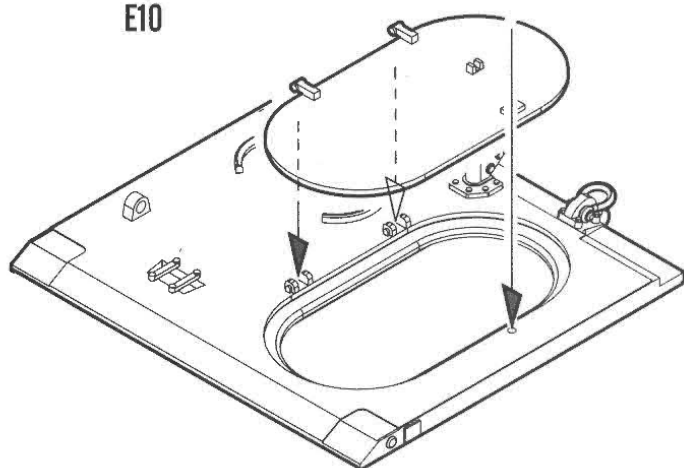
PE-C2



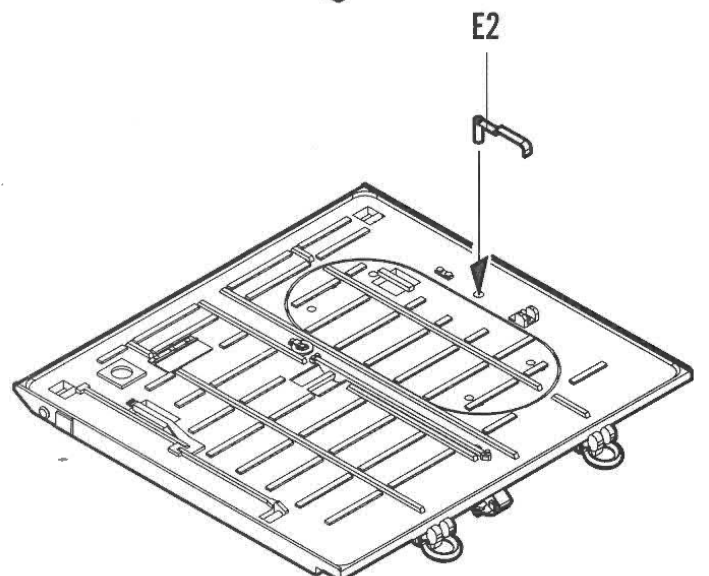
Using CA super glue  
使用强力胶



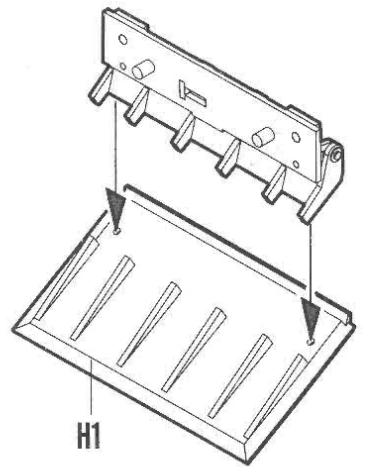
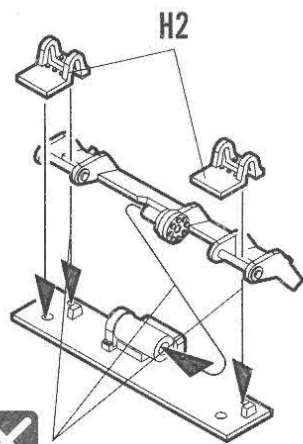
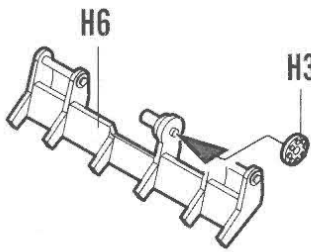
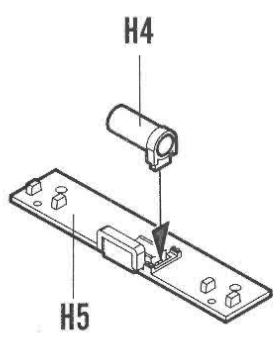
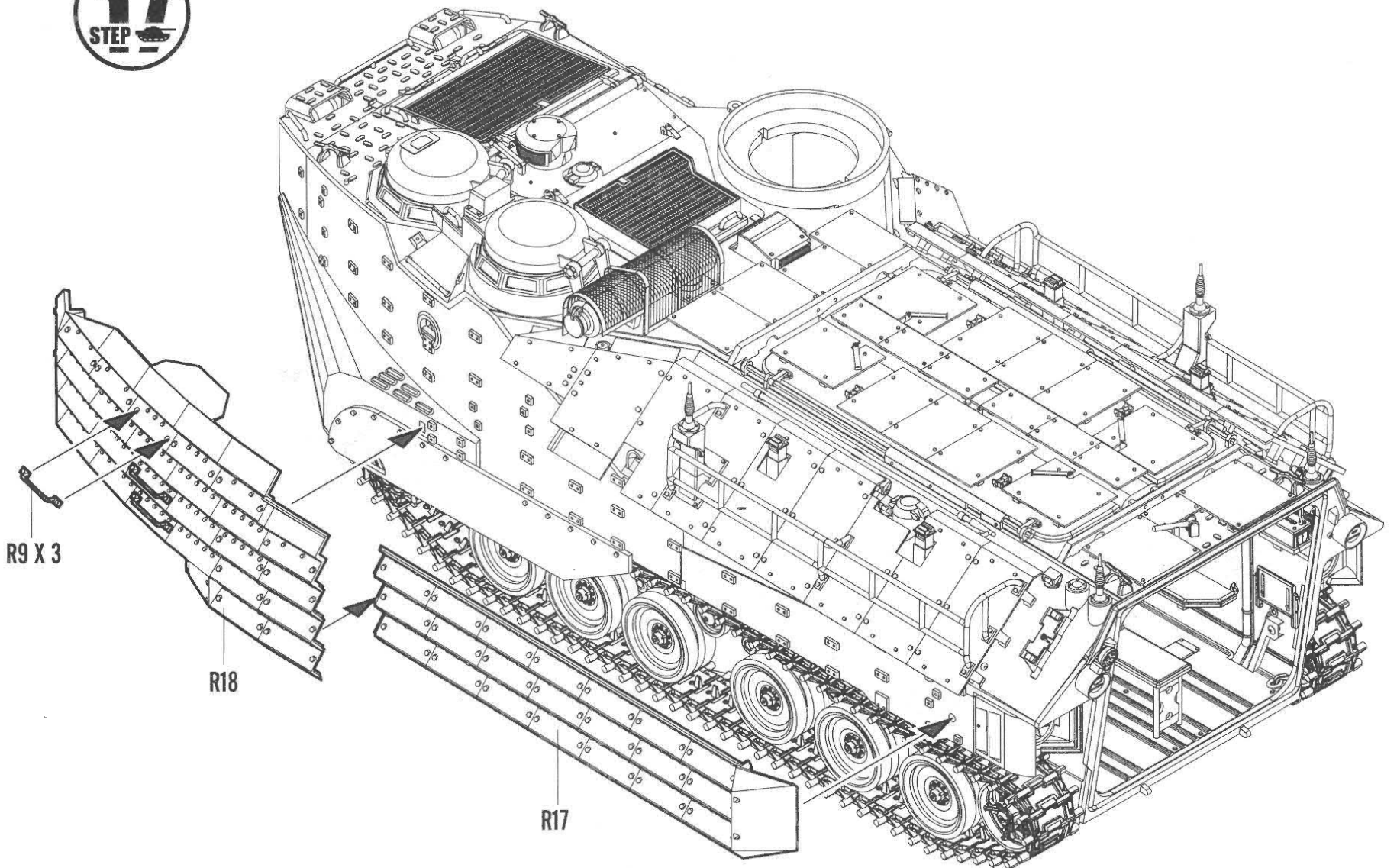
E6



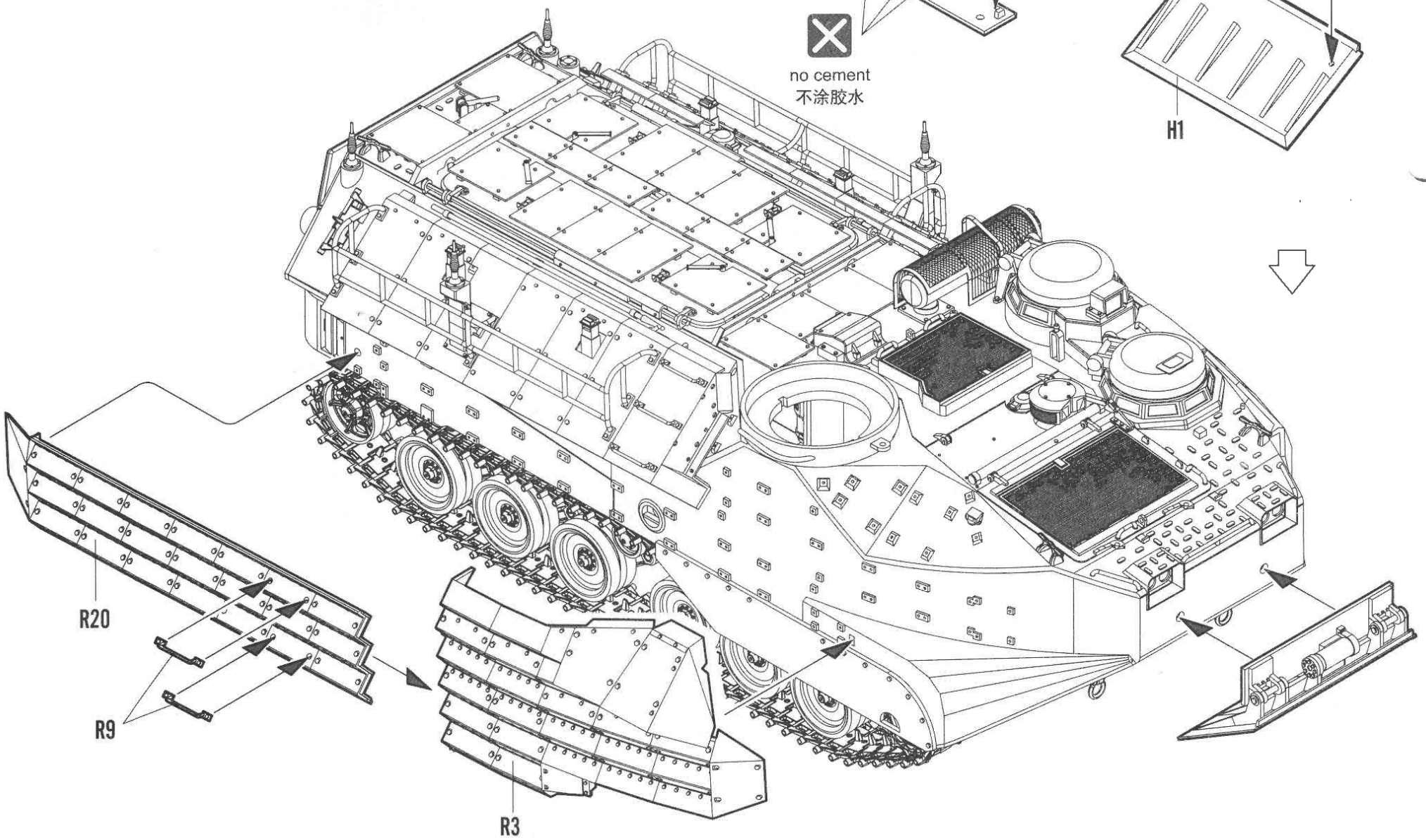
E2



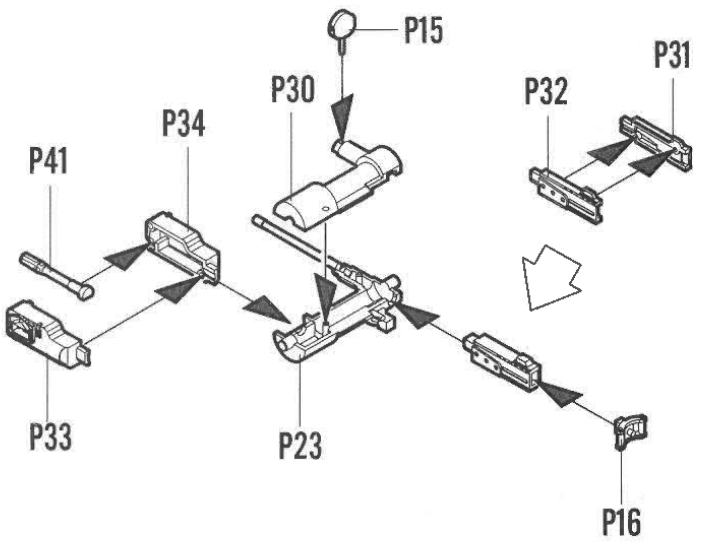
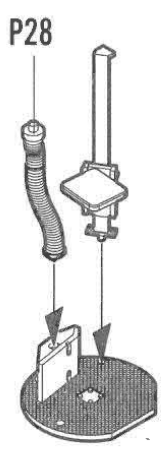
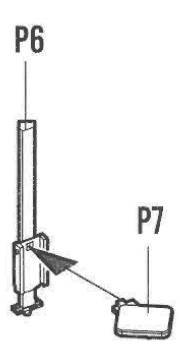
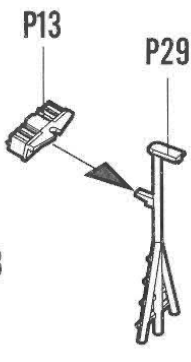
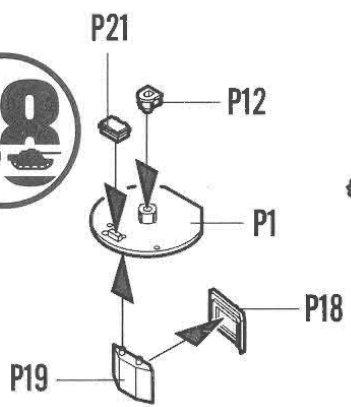




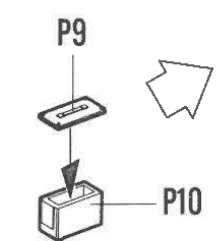
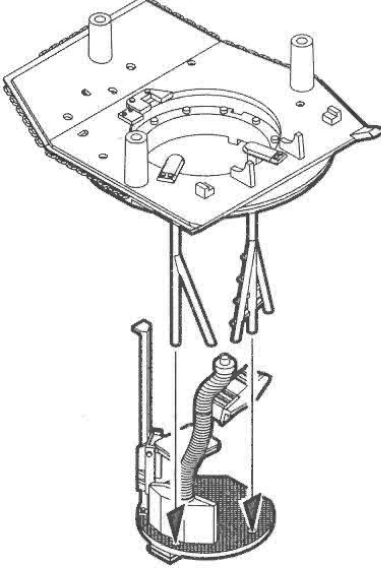
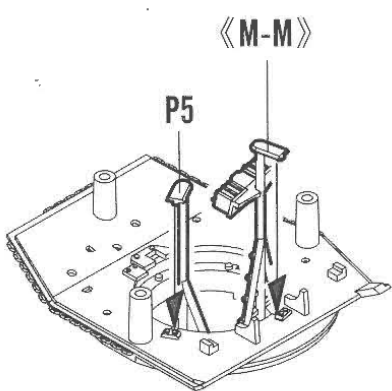
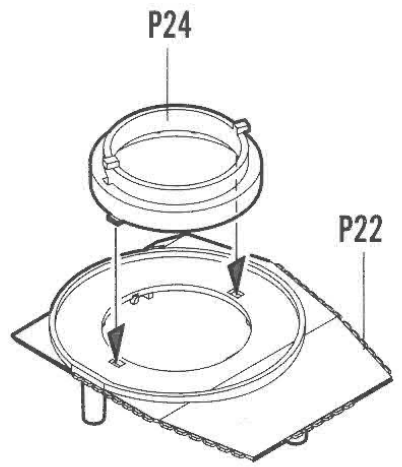
  
no cement  
不涂胶水



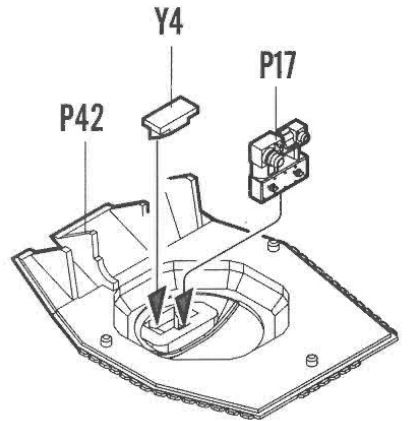
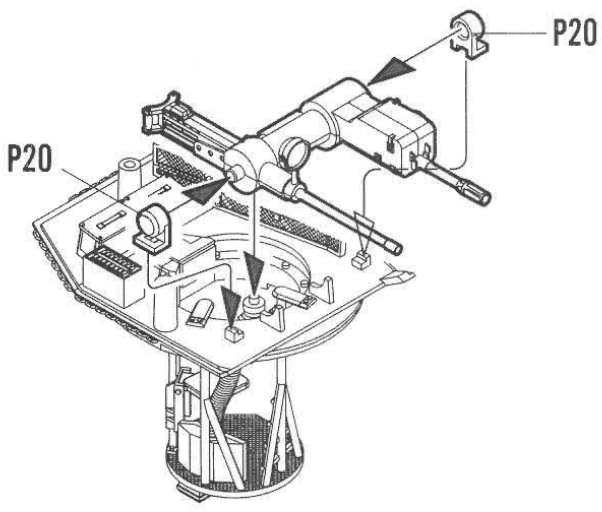
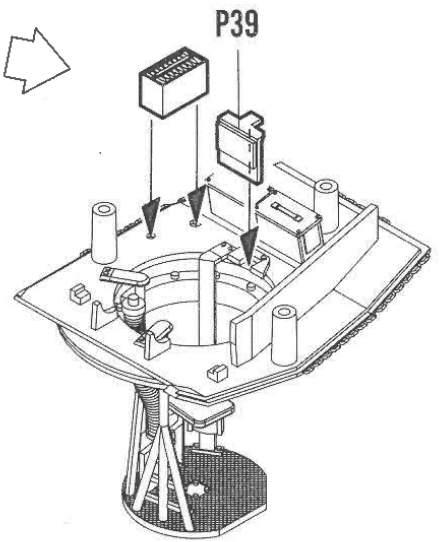
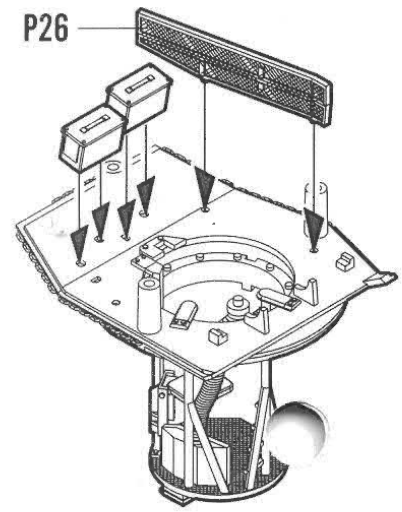
18  
STEP



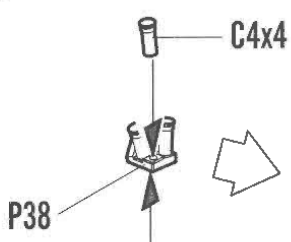
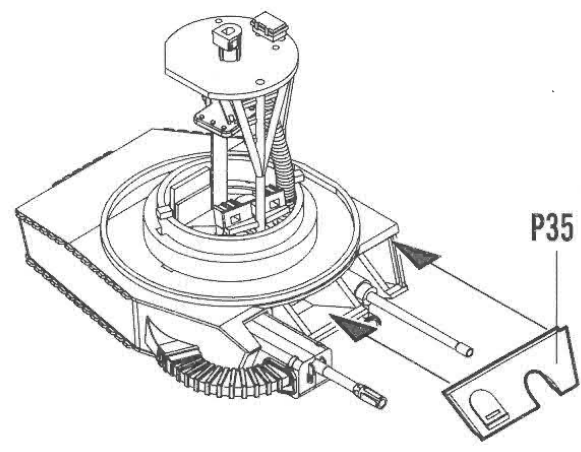
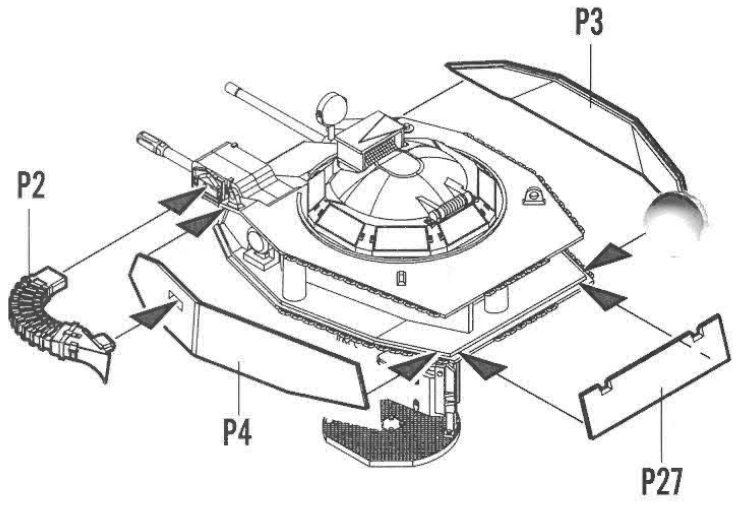
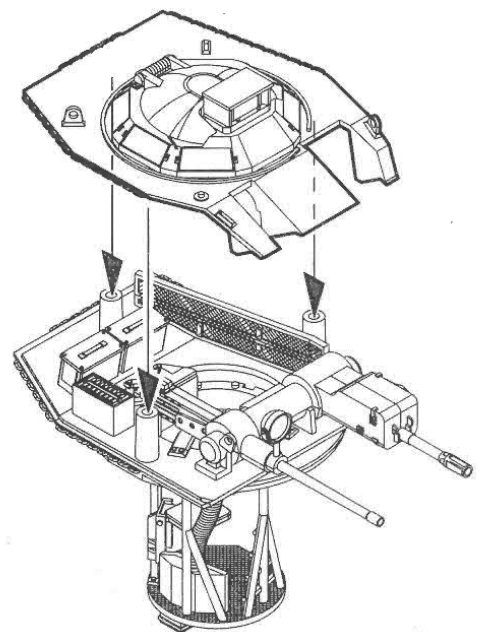
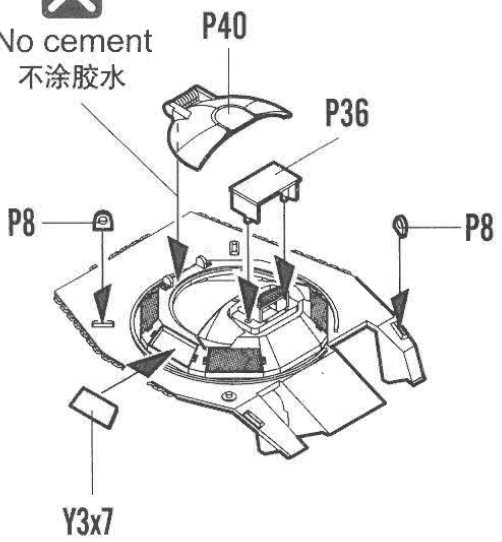
《M-M》



制作2组  
Make two

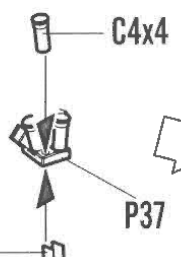
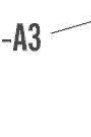


✘  
No cement  
不涂胶水



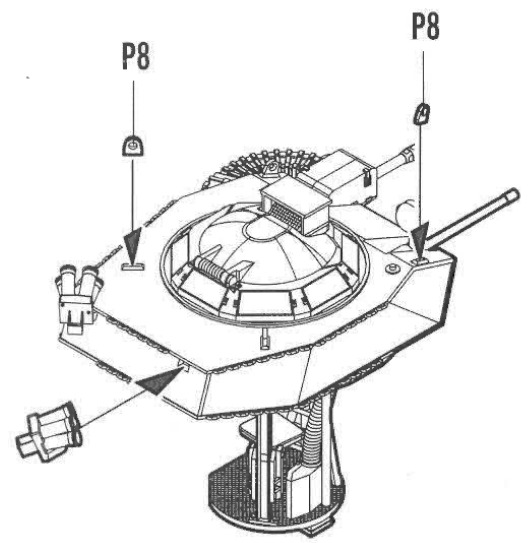
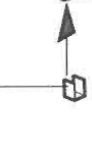
Bend  
弯曲

PE-A3

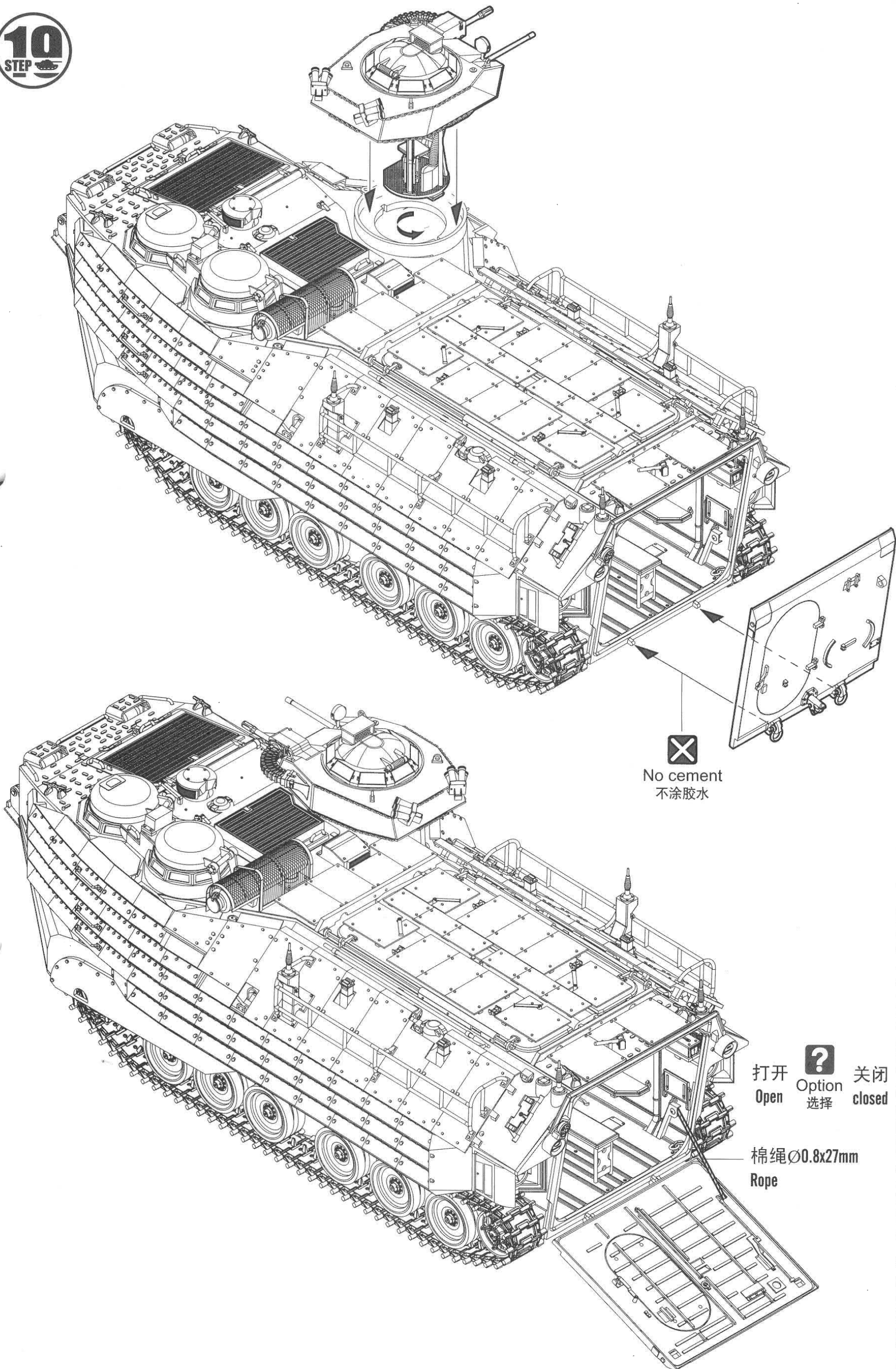


Bend  
弯曲

PE-A3







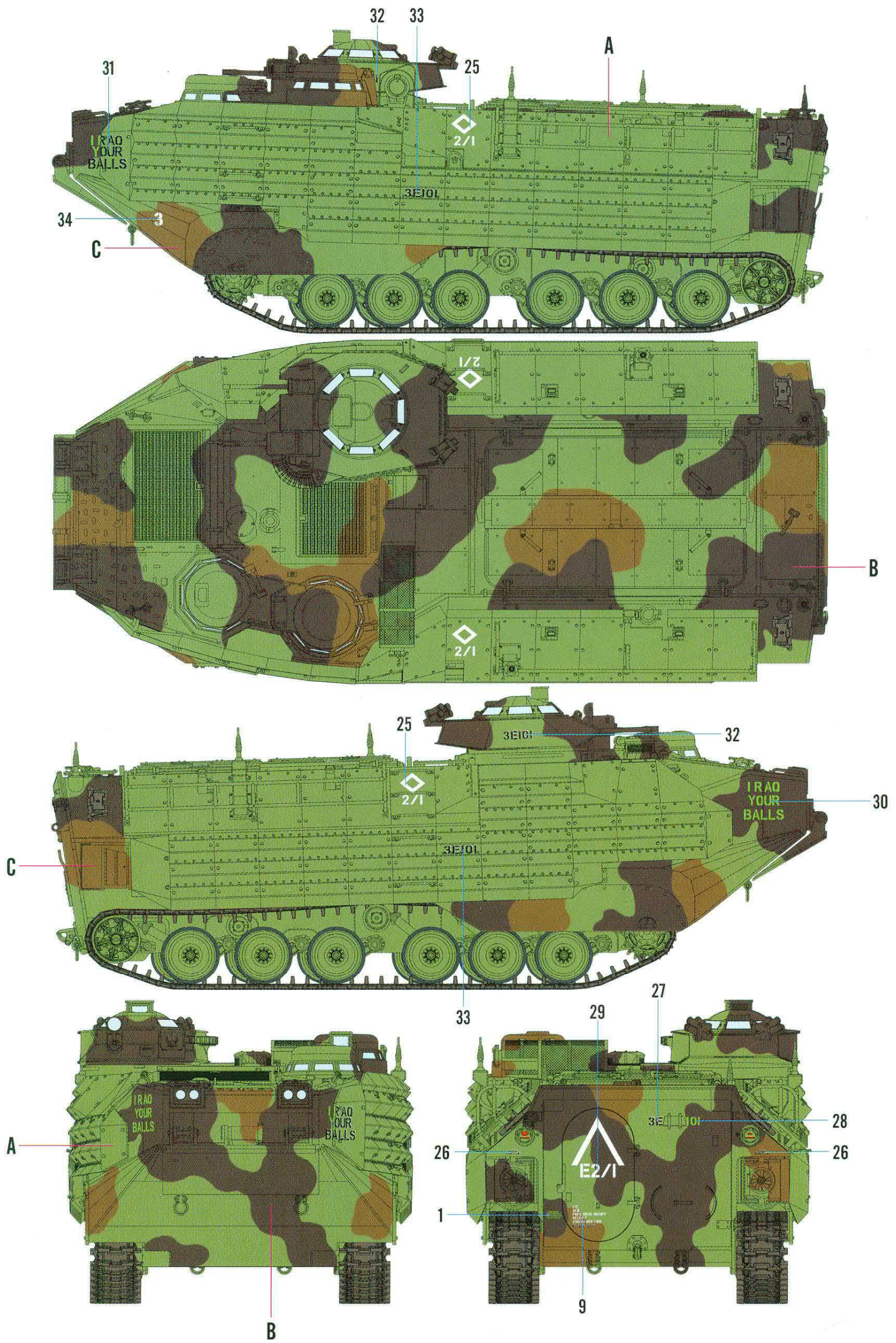
  
No cement  
不涂胶水

打开  关闭  
Open Option 选择 closed

棉绳  $\varnothing 0.8 \times 27 \text{mm}$   
Rope



I



	Color	Mr.Hobby	Vallejo	Model Master	Tamiya	Humbrol
A	绿色 Green	H 312 312	--	1716	--	120
B	消光黑 Flat Black	H 12 33	950	1749	XF1	33
C	木棕色 Wood Brown	H 37 43	983	1701	--	186



## II



	Color	Mr.Hobby	Vallejo	Model Master	Tamiya	Humbrol
D	沙黄色 RLM 79 Sand Yellow	H <input type="checkbox"/> 119	843	1735	XF59	63