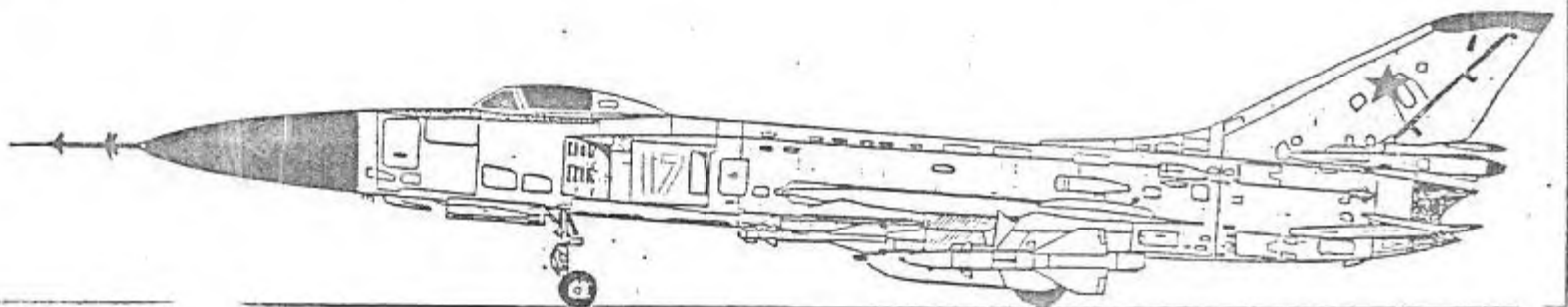


# SUKHOI Su-15TM

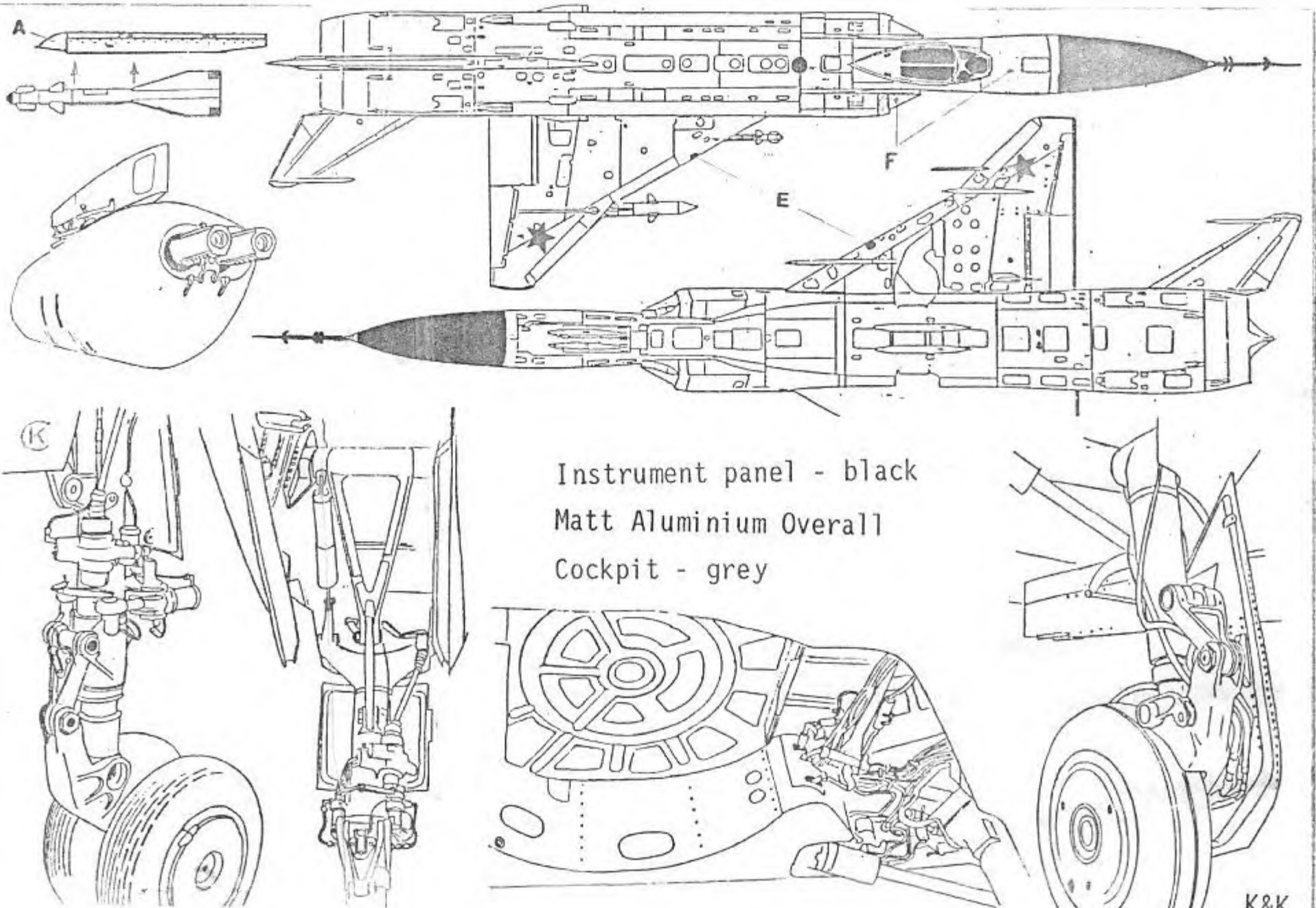
The Sukhoi Su-15TM (Sukhoi design bureau designation T-58, NATO 'Flagon-F') is a single-seat twin-jet all-weather interceptor of Soviet Union. The Su-15TM is the last known production version of the Su-15s. The Su-15 and the Su-27 is the major components of the PVO Strany interceptor force.

## DATA

Ejection seat KS-4(0-0): 1, Power plant: two Tumansky R-13F2-300s turbojets, each rated at 70.6 kN, Wing span: 9.15m, Length overall: 21.33m, Height overall: 5.10m, Weight empty: 11,000 kg, Max T-O weight: 18,000 kg, Max speed at 11,000 m Mach 2.1, Time to 11,000 m: 2 min 30 s, Service ceiling: 20,000 m.  
 Armament: container with GSh-23 23mm MC x2, air-to-air missiles: AA-3 'Anab' x2, AA-8 'Aphid' x2.



K&K © 1991

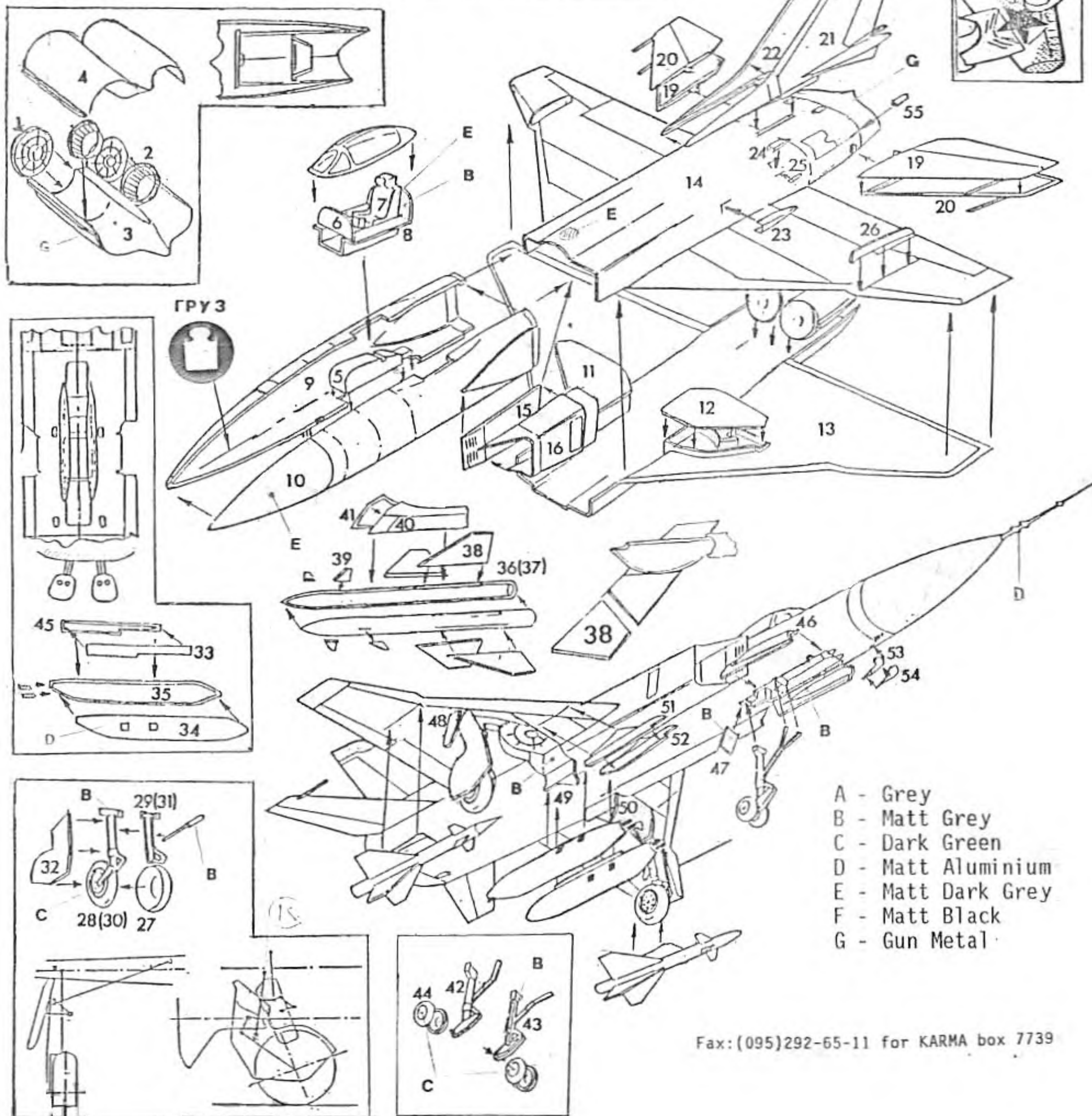
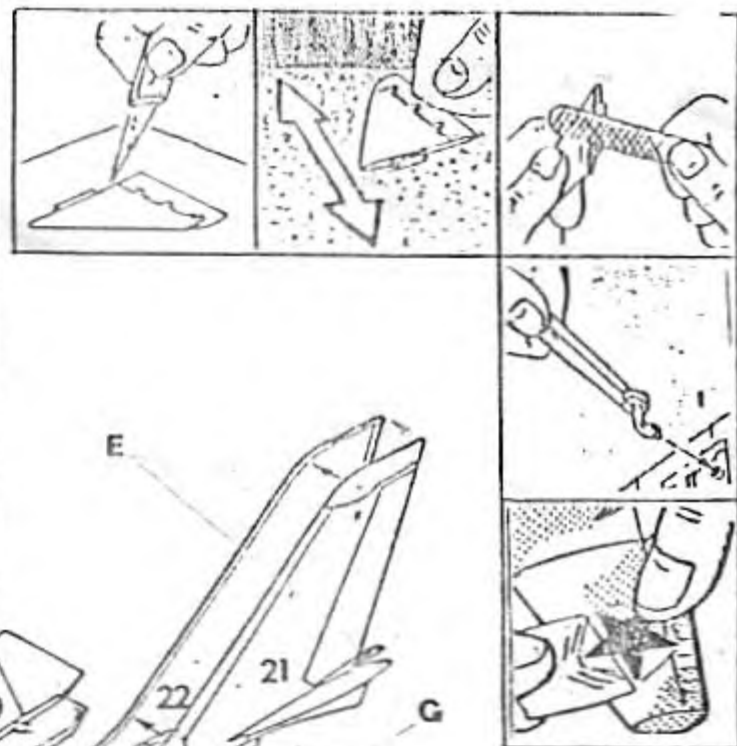
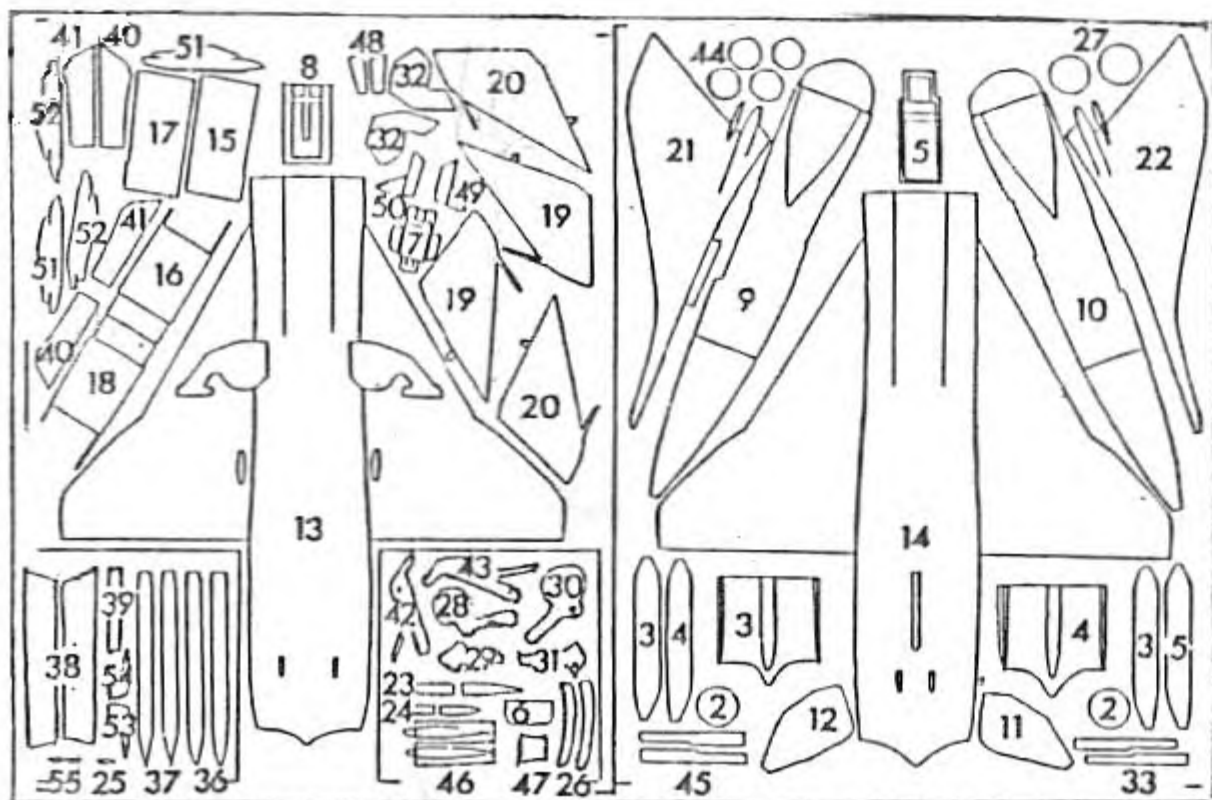


Instrument panel - black  
 Matt Aluminium Overall  
 Cockpit - grey

K&K

# OPERATING GUIDE

## Sukhoi SU - 15 'Flagon - F'



- A - Grey
- B - Matt Grey
- C - Dark Green
- D - Matt Aluminium
- E - Matt Dark Grey
- F - Matt Black
- G - Gun Metal